

### FEATURES

- Narrow-band power line communications IC**
- Integrates physical, data link and networking layers**
- Application layer**
  - Supports DL/T 645-1997 or DL/T 645-2007 data protocol (specific to China), as well as a pass through option**
- Networking layer**
  - Automatic baud rate negotiation**
  - Dynamic routing**
- Data link layer**
  - CRC checking**
  - Network key for data security**
- Physical layer**
  - FSK modulation**
  - Up to 2400 bps on a 3-phase network**
- Simple serial interface to host microprocessor**
- Single 3.3 V supply, low power (140 mW typical)**
- Package and temperature range**
  - 40-lead 6 mm × 6 mm LFCSP**
  - Fully specified for –40°C to +85°C operation**

### APPLICATIONS

Power line modems for AMR/AMI systems

### GENERAL DESCRIPTION

In an advanced metering infrastructure (AMI) scenario, the ADE8167<sup>1</sup> IC provides the essential functions for a master modem; maintaining the network configuration and relaying messages between the utility back office and the slave modems associated with the energy meters.

The ADE8167 is a complete digital baseband processor IC that includes physical layer, data link layer, and networking layer functionality. The ADE8167 includes a receive path 12-bit analog-to-digital converter (ADC) and a transmit path digital demodulator to reduce the external analog front-end component count. The ADE8167 UART communicates directly with a host microprocessor. The ADE8167 master modem IC is designed to work with the ADE8157 slave modem IC for a complete power line communications system.

### FUNCTIONAL BLOCK DIAGRAM

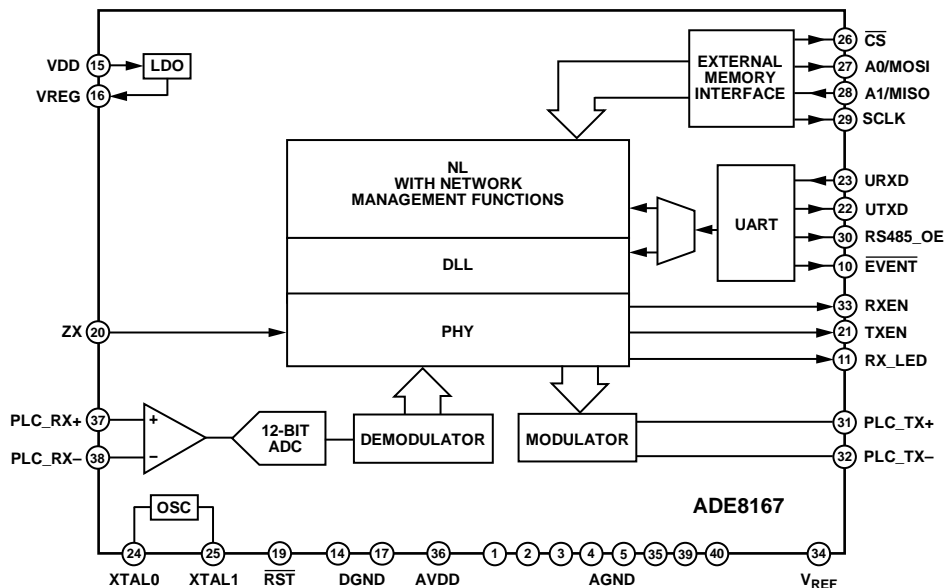


Figure 1.

For more information about the ADE8167, including the complete data sheet, contact your local Analog Devices, Inc., sales office at [www.analog.com/sales](http://www.analog.com/sales).

<sup>1</sup> Patents pending in the United States, European Union, and People's Republic of China.

#### Rev. SpA

Information furnished by Analog Devices is believed to be accurate and reliable. However, no responsibility is assumed by Analog Devices for its use, nor for any infringements of patents or other rights of third parties that may result from its use. Specifications subject to change without notice. No license is granted by implication or otherwise under any patent or patent rights of Analog Devices. Trademarks and registered trademarks are the property of their respective owners.

**NOTES**