

## Features

- One of a family of devices with user memory of 1 kilobit to 64 kilobits
- Contactless 13.56MHz RF communications interface
  - ISO/IEC 14443-2:2001 Type B Compliant
  - ISO/IEC 14443-3:2001 Type B Compliant Anticollision Protocol
  - Command set optimized for multi-card RF communications
  - Tolerant of Type A Signaling for multi-protocol applications
- Integrated 82pF tuning capacitor
- User EEPROM memory
  - 8 kilobits configured as eight 128-byte (1-Kbit) user zones
  - Byte, page, and partial page write modes
  - Self-timed write cycle
- 256-byte (2-Kbit) configuration zone
  - User-programmable Application Family Identifier (AFI)
  - User-defined Anticollision Polling Response
  - User-defined keys and passwords
- High-security features
  - 64-bit Mutual Authentication Protocol (under license of ELVA)
  - Encrypted checksum
  - Stream encryption
  - Four key sets for authentication and encryption
  - Eight sets of two 24-bit passwords
  - Password and authentication attempts counters
  - Selectable access rights by zone
  - Anti-tearing function
  - Tamper sensors
- High reliability
  - Endurance: 100,000 write cycles
  - Data retention: 10 years
  - Operating temperature: -25°C to +85°C

This is a summary document.  
The complete document is  
available on the Atmel website  
at [www.atmel.com](http://www.atmel.com).

# 1. Description

The Atmel® CryptoRF® family integrates a 13.56MHz RF interface into an Atmel CryptoMemory®, resulting in a contactless smart card with advanced security and cryptographic features. This device is optimized as a contactless secure memory, for RF smart cards, and secure data storage, without the requirement of an internal microprocessor.

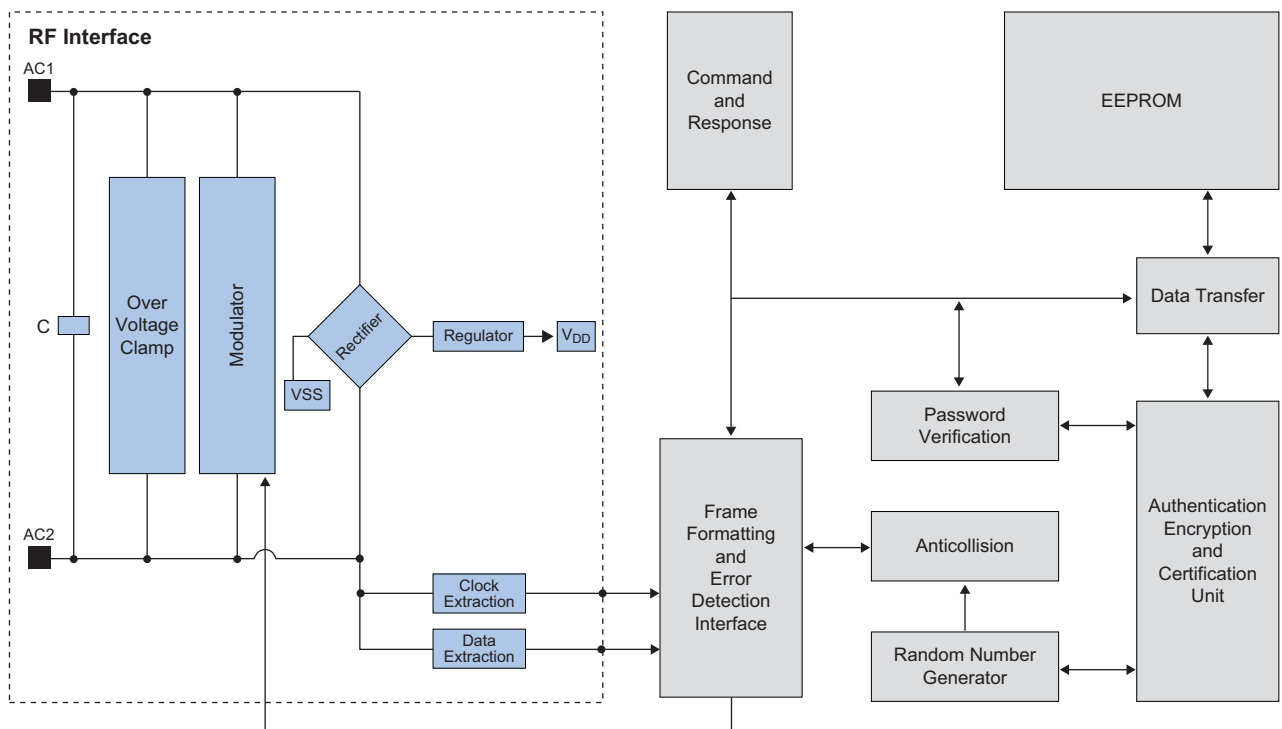
For communications, the RF interface utilizes the ISO/IEC 14443-2 and -3 Type B bit timing and signal modulation schemes, and the ISO/IEC 14443-3 Slot-MARKER Anticollision Protocol. Data is exchanged half duplex at a 106-Kbit per second rate, with a 2-byte CRC\_B providing error detection capability. The maximum communication range between the reader antenna and contactless card is approximately 10cm when used with an RFID reader that transmits the maximum ISO/IEC 14443-2 RF power level. The RF interface powers the other circuits; no battery is required. Full compliance with the ISO/IEC 14443-2 and -3 standards results in anticollision interoperability with the AT88RF020 2-Kbit RFID EEPROM product and provides both a proven RF communication interface and a robust anticollision protocol.

The Atmel AT88SC0808CRF contains eight kilobits of user memory and two kilobits of configuration memory. The two kilobits of configuration memory contain:

- Eight sets of Read/Write passwords
- Four Crypto key sets
- Security access registers for each user zone
- Password/Key registers for each zone

The CryptoRF command set is optimized for a multi-card RF communications environment. A programmable AFI register allows this IC to be used in numerous applications in the same geographic area with seamless discrimination of cards assigned to a particular application during the anticollision process.

# 2. Block Diagram



## 3. Communications

All personalization and communication with this device is performed through the RF interface. The IC includes an integrated tuning capacitor, enabling it to operate with only the addition of a single external coil antenna.

The RF communications interface is fully compliant with the electrical signaling and RF power specifications in ISO/IEC 14443-2:2001 for Type B only. Anticollision operation and frame formatting are compliant with ISO/IEC 14443-3:2001 for Type B only.

ISO/IEC 14443 nomenclature is used in this specification where applicable. The following abbreviations are utilized throughout this document. Additional terms are defined in the section in which they are used.

**Table 3-1. Terms**

Abbrev.	Term	Definition
PCD	Proximity Coupling Device	The reader/writer and antenna.
PICC	Proximity Integrated Circuit Card	The tag/card containing the IC and antenna.
RFU	Reserved for Future Use	Any feature, memory location, or bit that is held as reserved for future use.
\$ xx	Hexadecimal Number	Denotes a hex number “xx” (Most Significant Bit on left).

### 3.1 Anticollision Protocol

When the PICC enters the 13.56MHz RF field of the host reader (PCD), it performs a Power-On Reset (POR) function and waits silently for a valid Type B Polling command. The CryptoRF PICC processes the anti-tearing registers as part of the POR process.

The PCD initiates the anticollision process by issuing an REQB or WUPB command. The WUPB command activates any card (PICC) in the field with a matching AFI code. The REQB command performs the same function but does not affect a PICC in the Halt state. The CryptoRF command set is available only after the anticollision process has been completed.

### 3.2 CRC Error Detection

A 2-byte CRC\_B is required in each frame transmitted by the PICC or PCD to permit transmission error detection. The CRC\_B is calculated on all of the command and data bytes in the frame. The SOF, EOF, start bits, stop bits, and EGT are not included in the CRC\_B calculation. The 2-byte CRC\_B follows the data bytes in the frame.

**Figure 3-1. Location of the Two CRC\_B Bytes within a Frame**

SOF	K data bytes	CRC1	CRC2	EOF
-----	--------------	------	------	-----

### 3.3 Type A Tolerance

The RF Interface is designed for use in multi-protocol applications. It will not latch or lock up if exposed to Type A signals and will not respond to them. The PICC may reset in the presence of Type A field modulation but is not damaged by exposure to Type A signals.

## 4. User Memory

The EEPROM user memory is divided into eight user zones as shown in [Table 4-1](#). Multiple zones allow for different types of data or files to be stored in different zones. Access to the user zones is allowed only after security requirements have been met. These security requirements are defined by the user in the configuration memory during personalization of the device. The EEPROM memory page length is 16 bytes.

**Table 4-1. Memory Map**

Zone		\$0	\$1	\$2	\$3	\$4	\$5	\$6	\$7
User 0	\$00								
	—	128 bytes							
	—								
	\$78								
User 1	\$00								
	—								
	—								
	—								
User 6	—								
	\$78								
User 7	\$00								
	—	128 bytes							
	—								
	\$78								

## 5. Configuration Memory

The configuration memory consists of 2048 bits of EEPROM memory used for storing system data, passwords, keys, codes, and security-level definitions for each user zone. Access rights to the configuration zone are defined in the control logic and may not be altered by the user. These access rights include the ability to program certain portions of the configuration memory and then lock the data written through use of the security fuses.

### 5.1 Security Fuses

There are three fuses on the device that must be blown during the device personalization process. Each fuse locks certain portions of the configuration memory as OTP memory. Fuses are designated for the module manufacturer, card manufacturer, and card issuer and must be blown in sequence.

## 6. Communication Security

Communication between the PICC and reader operates in three basic modes:

- **Standard Communication Security Mode** — The default mode for the device after power-up and anticollision.
- **Authentication Communication Security Mode** — Activated by a successful authentication sequence.
- **Encryption Communication Security Mode** — Activated by a successful encryption activation sequence, following a successful authentication.

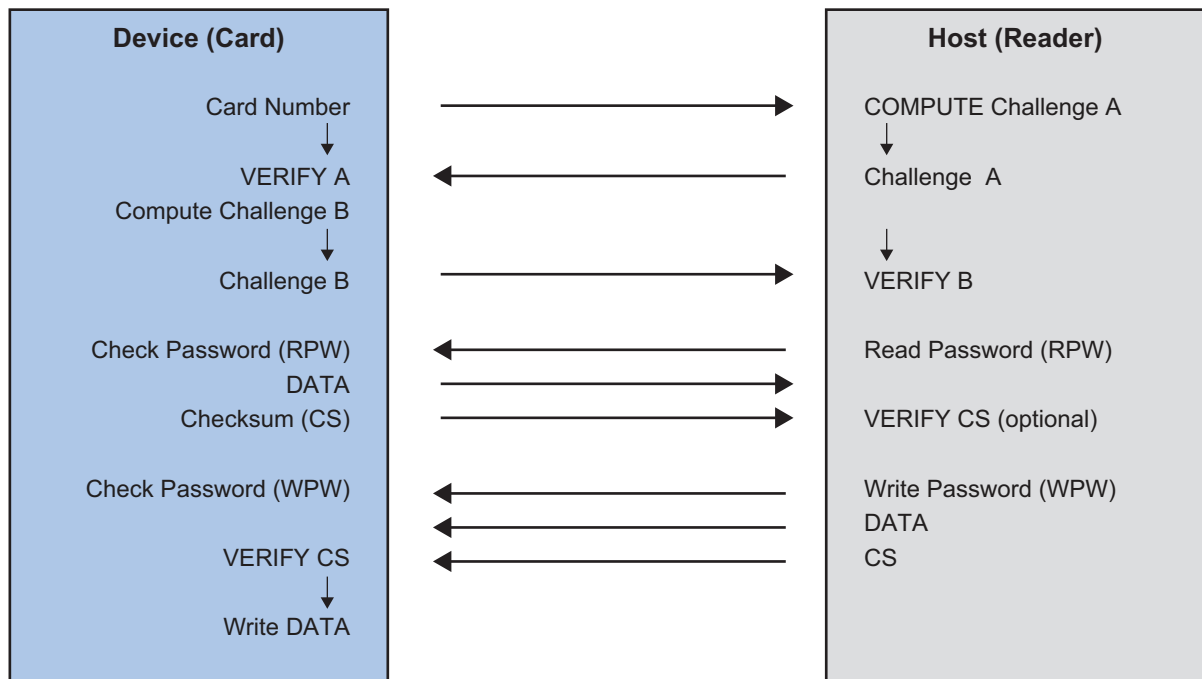
**Table 6-1. Configuration Security Modes**

Communication Mode	User Data	Passwords	Data Integrity Check
Standard	Clear	Clear	MDC <sup>(1)</sup>
Authentication	Clear	Encrypted	MAC <sup>(2)</sup>
Encryption	Encrypted	Encrypted	MAC <sup>(2)</sup>

Notes: 1. Modification Detection Code.  
2. Message Authentication Code.

### 6.1 Security Methodology

**Figure 6-1. Security Methodology**



### 6.2 Memory Access

Depending on the device configuration, the host will carry out the authentication protocol and/or present different passwords for each operation: Read or Write. To insure security between the different user zones (multi-application card), each zone can use a different set of passwords. A specific attempts counter for each password and for the authentication provides protection against systematic attacks.

## 7. Security Operations

### 7.1 Anti-tearing

In the event of a power loss during a write cycle, the integrity of the device's stored data may be recovered. This function is optional — The host may choose to activate the anti-tearing function depending on application requirements.

- When anti-tearing is active, Write commands take longer to execute since more write cycles are required to complete them.
- Data writes are limited to 8-byte pages when anti-tearing is active.

Data is written first to a buffer zone in EEPROM instead of to the intended destination address, but with the same access conditions. The data is then written to the required location. If this second write cycle is interrupted due to a power loss, the device will automatically recover the data from the buffer zone at the next power-up.

### 7.2 Password Verification

Passwords may be used to protect user zone Read and/or Write access. When a password is presented using the Check Password command, it is memorized and active until power is removed unless a new password is presented or a valid DESELECT or IDLE command is received. Only one password is active at a time, but Write passwords also give Read access.

### 7.3 Authentication Protocol

The access to a user zone may be protected by an authentication protocol in addition to password dependent rights. Passwords are encrypted in authentication mode.

The authentication success is memorized and active as long as the chip is powered, unless a new authentication is initialized or a valid DESELECT or IDLE command is received. If the new authentication request is not validated, the card loses its previous authentication and it must be presented again. Only the last request is memorized.

### 7.4 Encryption

The data exchanged between the card and the reader during Read, Write, and Check Password commands may be encrypted to ensure data confidentiality.

The issuer may choose to protect the access to a user zone with an encryption key by settings made in the configuration memory. In that case, activation of the encryption mode is required in order to read/write data in the zone.

The encryption activation success is memorized and active as long as the chip is powered, unless a new initialization is initiated or a valid DESELECT or IDLE command is received. If the new encryption activation request is not validated, the card will no longer encrypt data during Read operations nor will it decrypt data received during Write or Check Password operations.

### 7.5 Checksum

The PICC implements a data validity check function in the form of a checksum. The checksum may function in standard or cryptographic mode. In the standard mode, the checksum is optional and may be used for transmission error detection. The cryptographic mode is more powerful since it provides data origin authentication capability in the form of a Message Authentication Code (MAC). To write data to the device, the host is required to compute a valid MAC and provide it to the device. If after an in going command the device computes a MAC different from the. MAC transmitted by the host, not only is the command abandoned but the cryptographic mode is also reset. A new authentication is required to reactivate the cryptographic mode.

## 7.6 Initial Device Programming

CryptoRF is delivered with all security features disabled. To program the polling response or enable the security features of CryptoRF, the device must be personalized by programming several registers. This is accomplished by programming the configuration memory using simple Write and Read commands.

## 7.7 Transport Password

To gain access to the configuration memory, a transport password known as the secure code must be presented using the Check Password command. The secure code for AT88SC0808CRF is \$40 7F AB.

## 8. Tuning Capacitance

The capacitance between the coil pins AC1 and AC2 is 82pF nominal and may vary  $\pm 10\%$  over temperature and process variation.

## 9. Reliability

Parameter	Min	Typ	Max	Units
Write Endurance	100,000	—	—	Write Cycles
Data Retention	10	—	—	Years

## 10. Mechanical

### 10.1 Engineering Samples

Sample Code	Sample Description	Maximum Range
AT88SC0808CRF-MR1	R Module, 82pF, on 35mm Tape	
AT88SC0808CRF-L01B	RF Smart Card, ID-1 size, PVC	8 – 10cm
AT88SC0808CRF-MX1	RFID Tag, 13mm square, on 35mm Tape	10 – 15mm

### 10.2 Ordering Information

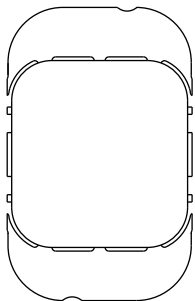
Ordering Code	Package	Tuning Capacitor	Temperature Range
AT88SC0808CRF-MR1	R Module	82pF	Commercial (0°C to 70°C)
AT88SC0808CRF-MX1	MX1 RFID Tag, 13mm square		Commercial (-25°C to 70°C)
AT88SC0808CRF-WA1	6mil Wafer, 150mm diameter	82pF	Industrial (25°C to 85°C)

Package Type	Description
R Module	2-lead RF Smart Card Module, XOA2 style, RoHS Compliant
MX1 RFID Tag	13mm x 13mm Square Epoxy Glass RFID Tag on 35mm tape, Au finish, Green <sup>(1)</sup>

Note: 1. Lead-free, halogen-free package. Exceeds RoHS requirements.

## 10.3 Packaging Information — Mechanical Drawings

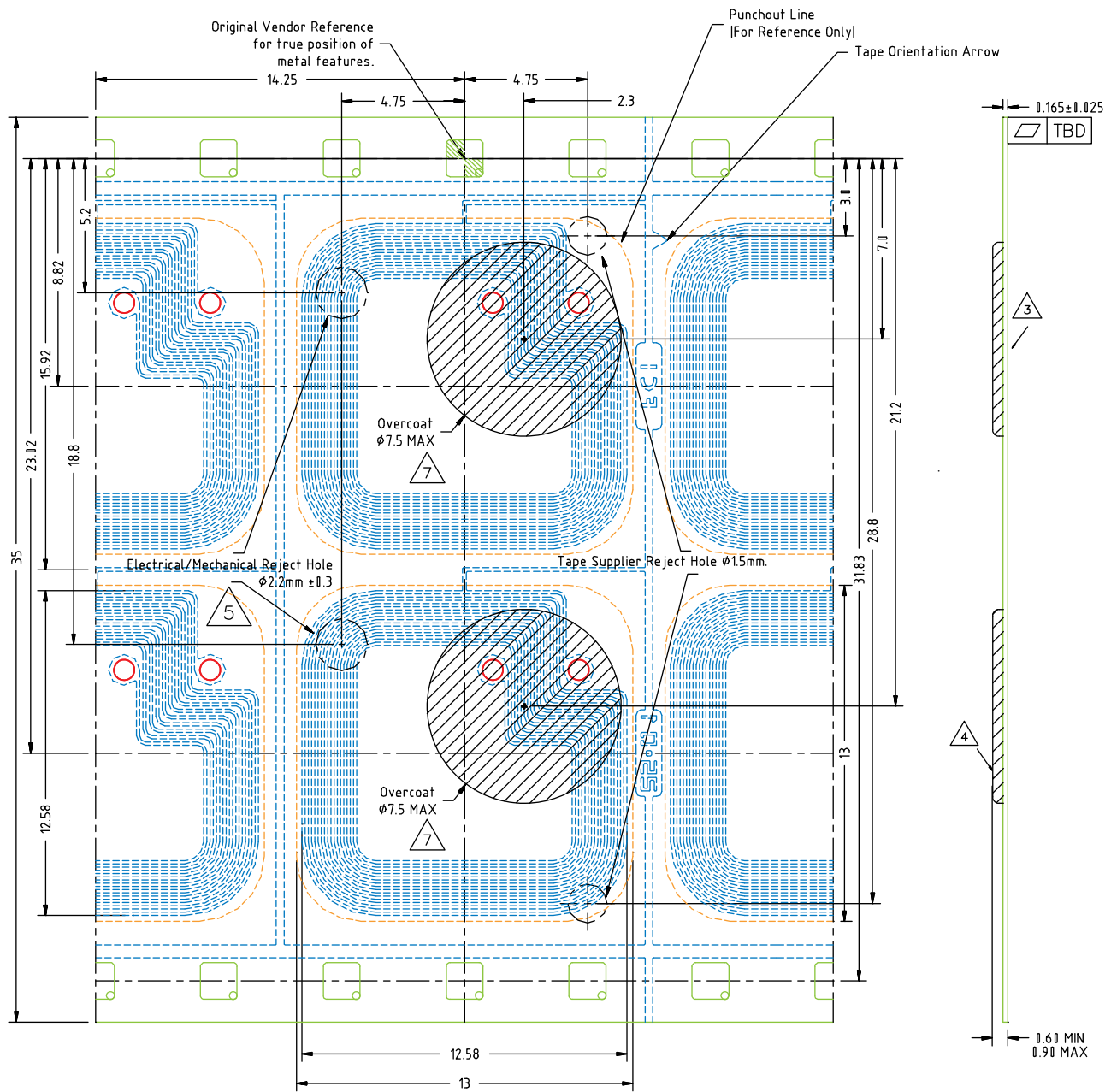
### 10.3.1 Module R Package — Ordering Code: AT88SC0808CRF-MR1



Module Size: M5  
Dimension: 5.06mm x 8.00mm  
Glob Top: Square – 4.8mm x 5.1mm  
Thickness: 0.38mm  
Pitch: 9.5mm



### 10.3.2 MX1 Epoxy Glass RFID Tag — Ordering Code: AT88SC0808CRF-MX1



## 11. Revision History

Doc. Rev.	Date	Comments
5027FS	10/2012	Changed commercial temperature range from 25°C to -25°C. Changed industrial temperature range from -40°C to 25°C.
5027ES	09/2012	Remove MY1 package option. Add MX1 package option. Update template and Atmel logo.
5027DS	03/2009	



Enabling Unlimited Possibilities®

**Atmel Corporation**

1600 Technology Drive  
San Jose, CA 95110  
USA

**Tel:** (+1) (408) 441-0311

**Fax:** (+1) (408) 487-2600

[www.atmel.com](http://www.atmel.com)

**Atmel Asia Limited**

Unit 01-5 & 16, 19F  
BEA Tower, Millennium City 5  
418 Kwun Tong Roa  
Kwun Tong, Kowloon  
HONG KONG

**Tel:** (+852) 2245-6100

**Fax:** (+852) 2722-1369

**Atmel Munich GmbH**

Business Campus  
Parkring 4  
D-85748 Garching b. Munich  
GERMANY

**Tel:** (+49) 89-31970-0

**Fax:** (+49) 89-3194621

**Atmel Japan G.K.**

16F Shin-Osaki Kangyo Bldg  
1-6-4 Osaki, Shinagawa-ku  
Tokyo 141-0032  
JAPAN

**Tel:** (+81) (3) 6417-0300

**Fax:** (+81) (3) 6417-0370

© 2012 Atmel Corporation. All rights reserved. / Rev.: 5027FS-CRRF-10/2012

Atmel®, Atmel logo and combinations thereof, Enabling Unlimited Possibilities®, CryptoMemory®, CryptoRF®, and others are registered trademarks or trademarks of Atmel Corporation or its subsidiaries. Other terms and product names may be trademarks of others.

Disclaimer: The information in this document is provided in connection with Atmel products. No license, express or implied, by estoppel or otherwise, to any intellectual property right is granted by this document or in connection with the sale of Atmel products. EXCEPT AS SET FORTH IN THE ATMEL TERMS AND CONDITIONS OF SALES LOCATED ON THE ATMEL WEBSITE, ATMEL ASSUMES NO LIABILITY WHATSOEVER AND DISCLAIMS ANY EXPRESS, IMPLIED OR STATUTORY WARRANTY RELATING TO ITS PRODUCTS INCLUDING, BUT NOT LIMITED TO, THE IMPLIED WARRANTY OF MERCHANTABILITY, FITNESS FOR A PARTICULAR PURPOSE, OR NON-INFRINGEMENT. IN NO EVENT SHALL ATMEL BE LIABLE FOR ANY DIRECT, INDIRECT, CONSEQUENTIAL, PUNITIVE, SPECIAL OR INCIDENTAL DAMAGES (INCLUDING, WITHOUT LIMITATION, DAMAGES FOR LOSS AND PROFITS, BUSINESS INTERRUPTION, OR LOSS OF INFORMATION) ARISING OUT OF THE USE OR INABILITY TO USE THIS DOCUMENT, EVEN IF ATMEL HAS BEEN ADVISED OF THE POSSIBILITY OF SUCH DAMAGES. Atmel makes no representations or warranties with respect to the accuracy or completeness of the contents of this document and reserves the right to make changes to specifications and products descriptions at any time without notice. Atmel does not make any commitment to update the information contained herein. Unless specifically provided otherwise, Atmel products are not suitable for, and shall not be used in, automotive applications. Atmel products are not intended, authorized, or warranted for use as components in applications intended to support or sustain life.