



216-kHz Digital Audio Interface Transceiver (DIX) with Stereo ADC and Routing

Check for Samples: [PCM9211](#)

FEATURES

- **Integrated DIX, ADC, and Signal Routing:**
 - Asynchronous Operation (DIR, DIT, ADC)
 - Mux and Routing of PCM Data:
 - I²S™, Left-Justified, Right-Justified
 - Multipurpose Input/Output Pins
- **Digital Audio I/F Receiver (DIR):**
 - 24-bit, 216-kHz Capable
 - 50-ps Ultralow Jitter
 - Non-PCM Detection (IEC61937, DTS-CD/LD)
 - 12x S/PDIF Input Ports:
 - 2x Coaxial S/PDIF Inputs
 - 10x Optical S/PDIF Inputs
- **Digital Audio I/F Transmitter (DIT):**
 - 24-Bit, 216-kHz Capable
 - 24-Bit Data Length
 - 48-Bit Channel Status Buffer
 - Synchronous/Asynchronous Operation
- **Analog-to-Digital Converter (ADC):**
 - 24-Bit, 96-kHz Capable
 - Dynamic Range: 101 dB ($f_s = 96$ kHz)
 - Synchronous/Asynchronous Operation
- **Routing Function:**
 - Input: 3x PCM, 1x DIR, 1x ADC
 - Output: Main Out, Aux Out, DIT
 - Multi-Channel (8-Ch) PCM Routing

- **Other Function Features:**
 - Power Down (Pin and Register Control)
 - PCM Port Sampling Frequency Counter
 - GPIO and GPO
 - OSC for External Crystal (24.576 MHz)
 - SPI™, I²C™ or Hardware Control Modes
- **Power Supply:**
 - 3.3 V (2.9 V to 3.6 V) for DIX, All Digital
 - 5 V (4.5 V to 5.5 V) for ADC Analog
- **Operating Temperature: –40°C to +85°C**
- **Package: 48-Pin LQFP**

APPLICATIONS

- Home Theater and AVR Equipment
- Television and Soundbars
- Musical Instruments, Recording, and Broadcast
- High-Performance Soundcards

DESCRIPTION

The PCM9211 is a complete analog and digital front-end for today's multimedia players and recorders.

The PCM9211 integrates a stereo ADC, S/PDIF transceiver with up to 12 multiplexed inputs and 3x PCM inputs to allow other audio receivers to be multiplexed along with the analog and S/PDIF signals to a digital signal processor (DSP).



Please be aware that an important notice concerning availability, standard warranty, and use in critical applications of Texas Instruments semiconductor products and disclaimers thereto appears at the end of this data sheet.

AC-3 is a trademark of Dolby Laboratories.

SPI is a trademark of Motorola, Inc.

I²S, I²C are trademarks of NXP Semiconductors.

TOSLINK is a trademark of Toshiba Corp.

All other trademarks are the property of their respective owners.



This integrated circuit can be damaged by ESD. Texas Instruments recommends that all integrated circuits be handled with appropriate precautions. Failure to observe proper handling and installation procedures can cause damage.

ESD damage can range from subtle performance degradation to complete device failure. Precision integrated circuits may be more susceptible to damage because very small parametric changes could cause the device not to meet its published specifications.

PACKAGE/ORDERING INFORMATION⁽¹⁾

PRODUCT	PACKAGE-LEAD	PACKAGE DESIGNATOR	OPERATING TEMPERATURE RANGE	PACKAGE MARKING	ORDERING NUMBER	TRANSPORT MEDIA, QUANTITY
PCM9211	LQFP-48	PT	-40°C to +85°C	PCM9211	PCM9211PT	Tray, 250
					PCM9211PTR	Tape and Reel, 1000

(1) For the most current package and ordering information, see the Package Option Addendum at the end of this document, or see the device product folder on www.ti.com.

ABSOLUTE MAXIMUM RATINGS⁽¹⁾

Over operating free-air temperature range (unless otherwise noted).

		PCM9211	UNIT
Supply voltage	V_{CC}, V_{DD}, V_{DDRX}	-0.3 to +4.0	V
	V_{CCAD}	-0.3 to +6.5	V
Supply voltage differences: V_{CC}, V_{DD}		±0.1	V
Ground voltage differences: AGND, DGND, GNDRX		±0.1	V
Digital input voltage	RXIN2, RXIN3, RXIN4/ASCKI0, RXIN5/ABCKI0, RXIN6/ALRCKI0, RXIN7/ADIN0, MC/SCL, MDI/SDA, MDO/ADR, MS/ADR1, RST	-0.3 to +6.5	V
	MPIO_A0-A3, MPIO_B0-B3, MPIO_C0-C3	-0.3 to +6.5	V
	RXIN0, RXIN1 (For S/PDIF TTL / OPTICAL input)	-0.3 to +6.5	V
	MODE	-0.3 to +4.0	V
Analog input voltage	RXIN0, RXIN1 (For S/PDIF Coaxial Input Only)	-0.3 to $(V_{DDRX} + 0.3) < +4.0$	V
	XTI, XTO	-0.3 to $(V_{DD} + 0.3) < +4.0$	V
	FILT	-0.3 to $(V_{CC} + 0.3) < +4.0$	V
	$V_{INL}, V_{INR}, V_{COM}$	-0.3 to $(V_{CCAD} + 0.3) < +6.5$	V
Input current (any pins except supplies)		±10	mA
Ambient temperature under bias		-40 to +125	°C
Storage temperature		-55 to +150	°C
Junction temperature		+150	°C
Package temperature (reflow, peak)		+260	°C

(1) Stresses beyond those listed under *Absolute Maximum Ratings* may cause permanent damage to the device. These are stress ratings only and functional operation of the device at these or any other conditions beyond those indicated under *Recommended Operating Conditions* is not implied. Exposure to absolute-maximum-rated conditions for extended periods may affect device reliability.

RECOMMENDED OPERATING CONDITIONS

Over operating free-air temperature range (unless otherwise noted).

		MIN	NOM	MAX	UNIT
DIR analog supply voltage, V_{CC}		2.9	3.3	3.6	V
ALL digital supply voltage, V_{DD}		2.9	3.3	3.6	V
ADC analog supply voltage, V_{CCAD}		4.5	5.0	5.5	V
Coaxial amplifier supply voltage, V_{DDRX}		2.9	3.3	3.6	V
Digital input interface level		TTL-compatible			
Digital input/output clock frequency	DIR, DIT, and Routing sampling frequency	7		216	kHz
	DIR, DIT, and Routing system clock frequency	0.896		55.296	MHz
	ADC sampling frequency	16		96	kHz
	ADC system clock frequency	2.048		24.576	MHz
	XTI input clock frequency		24.576		MHz

RECOMMENDED OPERATING CONDITIONS (continued)

Over operating free-air temperature range (unless otherwise noted).

		MIN	NOM	MAX	UNIT
Analog input level	VINL, VINR		3		V _{PP}
Digital output load capacitance	Except SCKO			20	pF
Digital output load capacitance	SCKO			10	pF
MODE pin capacitance				10	pF
Operating free-air temperature		-40	+25	+85	°C

ELECTRICAL CHARACTERISTICS: GENERAL

 All specifications at T_A = +25°C, V_{CC} = V_{DD} = V_{DDR_X} = 3.3 V, and V_{CCAD} = 5 V, unless otherwise noted.

PARAMETER	TEST CONDITIONS ⁽¹⁾	PCM9211			UNIT
		MIN	TYP	MAX	
DIGITAL INPUT/OUTPUT					
DATA FORMAT					
Audio data interface format		I ² S, Left-Justified, Right-Justified			
Audio data word length		16, 24			Bits
Audio data format		MSB first, twos complement			
f _s	Sampling frequency, DIR	7		216	kHz
	Sampling frequency, DIT	7		216	kHz
	Sampling frequency, Routing	7		216	kHz
	Sampling frequency, ADC	16		96	kHz
INPUT LOGIC					
V _{IH} ⁽²⁾⁽³⁾	Input logic level		2.0	5.5	VDC
V _{IL} ⁽²⁾⁽³⁾				0.8	VDC
V _{IH} ⁽⁴⁾	Input logic level (XTI pin)		0.7 V _{CC}	V _{CC}	VDC
V _{IL} ⁽⁴⁾				0.3 V _{CC}	VDC
V _{IH} ⁽⁵⁾	Input logic level (RXIN0/1 pins)		0.7 V _{DDR_X}	V _{DDR_X}	VDC
V _{IL} ⁽⁵⁾				0.3 V _{DDR_X}	VDC
I _{IH} ⁽²⁾⁽⁴⁾	Input logic current	V _{IN} = V _{DD} or V _{CC}		±10	μA
I _{IL} ⁽²⁾⁽⁴⁾		V _{IN} = 0 V		±10	μA
I _{IH} ⁽³⁾	Input logic current ($\overline{\text{RST}}$ pin)	V _{IN} = V _{DD}	65	100	μA
I _{IL} ⁽³⁾		V _{IN} = 0 V		±10	μA
I _{IH} ⁽⁵⁾	Input logic current (RXIN0/1 pins)	V _{IN} = V _{DDR_X}	165	300	μA
I _{IL} ⁽⁵⁾		V _{IN} = 0 V	-165	-300	μA
OUTPUT LOGIC					
V _{OH} ⁽⁶⁾	Output logic level	I _{OUT} = -4 mA	2.8		VDC
V _{OL} ⁽⁶⁾		I _{OUT} = 4 mA		0.5	VDC
V _{OH} ⁽⁷⁾	Output logic level	I _{OUT} = -4 mA	0.85 V _{CC}		VDC
V _{OL} ⁽⁷⁾		I _{OUT} = 4 mA		0.15 V _{CC}	VDC

- PLL lock-up time varies with *ERROR release wait time* setting (Register 23h/ERRWT). Therefore, lock-up time in this table shows the value at ERRWT = 11 as the shortest time setting.
- Pins: MPIO_A0-A3, MPIO_B0-B3, MPIO_C0-C3, RXIN2-RXIN7, MC/SCL, MDI/SDA, MDO/ADR0, MS/ADR1
- Pin: RST
- Pin: XTI
- Pins: RXIN0, RXIN1. Input impedance of RXIN0 and RXIN1 is 20 kΩ (typical). COAX amplifiers are powered on by Register 34h/RX0DIS and RX1DIS = 0. At power down by Register 34h/RX0DIS and RX1DIS = 1 (default), RXIN0 and RXIN1 are internally tied high.
- Pins: MPIO_A0-A3, MPIO_B0-B3, MPIO_C0-C3, SCKO, BCK, LRCK, DOUT, MPO0-1, ERROR/INT0, NPCM/INT1.
- Pin: XTO.

ELECTRICAL CHARACTERISTICS: GENERAL (continued)

 All specifications at $T_A = +25^\circ\text{C}$, $V_{CC} = V_{DD} = V_{DDRX} = 3.3\text{ V}$, and $V_{CCAD} = 5\text{ V}$, unless otherwise noted.

PARAMETER	TEST CONDITIONS ⁽¹⁾	PCM9211			UNIT
		MIN	TYP	MAX	
POWER-SUPPLY REQUIREMENTS					
V_{CC}	Voltage range	2.9	3.3	3.6	VDC
V_{DD}		2.9	3.3	3.6	VDC
V_{CCAD}		4.5	5.0	5.5	VDC
V_{DDRX}		2.9	3.3	3.6	VDC
I_{CC}	Supply current	$f_S = 48\text{ kHz / DIR}, f_S = 48\text{ kHz / ADC}, f_S = 48\text{ kHz / DIT}$	4.5		mA
		$f_S = 192\text{ kHz / DIR}, f_S = 96\text{ kHz / ADC}, f_S = 192\text{ kHz / DIT}$	7	13	mA
		Full power down, $\overline{RST} = \text{low}$	150	350	μA
I_{DD}	Supply current	$f_S = 48\text{ kHz / DIR}, f_S = 48\text{ kHz / ADC}, f_S = 48\text{ kHz / DIT}$	12		mA
		$f_S = 192\text{ kHz / DIR}, f_S = 96\text{ kHz / ADC}, f_S = 192\text{ kHz / DIT}$	26	38	mA
		Full power down, $\overline{RST} = \text{low}$	150	350	μA
I_{CCAD}	Supply current	$f_S = 48\text{ kHz / DIR}, f_S = 48\text{ kHz / ADC}, f_S = 48\text{ kHz / DIT}$	12		mA
		$f_S = 192\text{ kHz / DIR}, f_S = 96\text{ kHz / ADC}, f_S = 192\text{ kHz / DIT}$	12		mA
		Full power down, $\overline{RST} = \text{low}$	110	250	μA
$I_{DDRX}^{(8)}$	Supply current	$f_S = 48\text{ kHz / DIR}, f_S = 48\text{ kHz / ADC}, f_S = 48\text{ kHz / DIT}$	3.2		mA
		$f_S = 192\text{ kHz / DIR}, f_S = 96\text{ kHz / ADC}, f_S = 192\text{ kHz / DIT}$	3.2	4.8	mA
		Full power down, $\overline{RST} = \text{low}$	0	30	μA
	Power dissipation	$f_S = 48\text{ kHz / DIR}, f_S = 48\text{ kHz / ADC}, f_S = 48\text{ kHz / DIT}$	135		mW
		$f_S = 192\text{ kHz / DIR}, f_S = 96\text{ kHz / ADC}, f_S = 192\text{ kHz / DIT}$	180		mW
		Full power down, $\overline{RST} = \text{low}$	0.85		mW
TEMPERATURE RANGE					
	Operating temperature		-40	+85	$^\circ\text{C}$
θ_{JA}	Thermal resistance		100		$^\circ\text{C/W}$

(8) Two coaxial amplifiers are powered on by Register 34h/RX1DIS and Register 34h/RX0DIS.

ELECTRICAL CHARACTERISTICS: Analog-to-Digital Converter (ADC)

 All specifications at $T_A = +25^\circ\text{C}$, $V_{CC} = V_{DD} = V_{DDR\text{X}} = 3.3\text{ V}$, and $V_{CCAD} = 5\text{ V}$, unless otherwise noted.

PARAMETER	TEST CONDITIONS	PCM9211			UNIT
		MIN	TYP	MAX	
ADC, CHARACTERISTICS					
Resolution		16	24		Bits
f_S Sampling frequency		16		96	kHz
Bit clock frequency	$64f_S$	1.024		6.144	MHz
System clock frequency	$256f_S$	4.096		24.576	MHz
	$512f_S$	8.192		24.576	MHz
ADC, ANALOG INPUT					
Full-scale input voltage	$V_{INL}, V_{INR} = 0\text{ dB}$		$0.6 V_{CCAD}$		V_{PP}
Center voltage			$0.5 V_{CCAD}$		V
Input Impedance			10		k Ω
Antialiasing filter response	-3 dB		300		kHz
ADC, DC ACCURACY					
Gain mismatch, channel to channel	Full-scale input, V_{INL}, V_{INR}		2.0	± 8.0	% of FSR
Gain error	Full-scale input, V_{INL}, V_{INR}		± 2.0	± 8.0	% of FSR
Bipolar zero error	HPF bypass, V_{INL}, V_{INR}		± 0.5	± 2.0	% of FSR
ADC, DYNAMIC PERFORMANCE					
THD+N $V_{IN} = -1\text{ dB}$	$f_S = 48\text{ kHz}$		-93	-85	dB
	$f_S = 96\text{ kHz}$		-93		dB
Dynamic range	$f_S = 48\text{ kHz}$, A-weighted	95	99		dB
	$f_S = 96\text{ kHz}$, A-weighted		101		dB
S/N ratio	$f_S = 48\text{ kHz}$, A-weighted	95	99		dB
	$f_S = 96\text{ kHz}$, A-weighted		101		dB
Channel separation (between L-ch and R-ch)	$f_S = 48\text{ kHz}$	92	96		dB
	$f_S = 96\text{ kHz}$		98		dB
ADC, DIGITAL FILTER PERFORMANCE					
Passband				$0.454 f_S$	Hz
Stop band		$0.583 f_S$			Hz
Passband ripple	$< 0.454 f_S$			± 0.05	dB
Stop band attenuation	$> 0.583 f_S$	-65			dB
Group delay time			$17.4 / f_S$		sec
HPF frequency response	-3 dB		$0.019 f_S / 1000$		Hz
ADC, COMMON VOLTAGE OUTPUT					
V_{COM} output voltage			$0.5 V_{CCAD}$		V
V_{COM} output impedance		7	12.5	18	k Ω
Allowable V_{COM} output source/sink current				± 1	μA

ELECTRICAL CHARACTERISTICS: Digital Audio I/F Receiver (DIR)

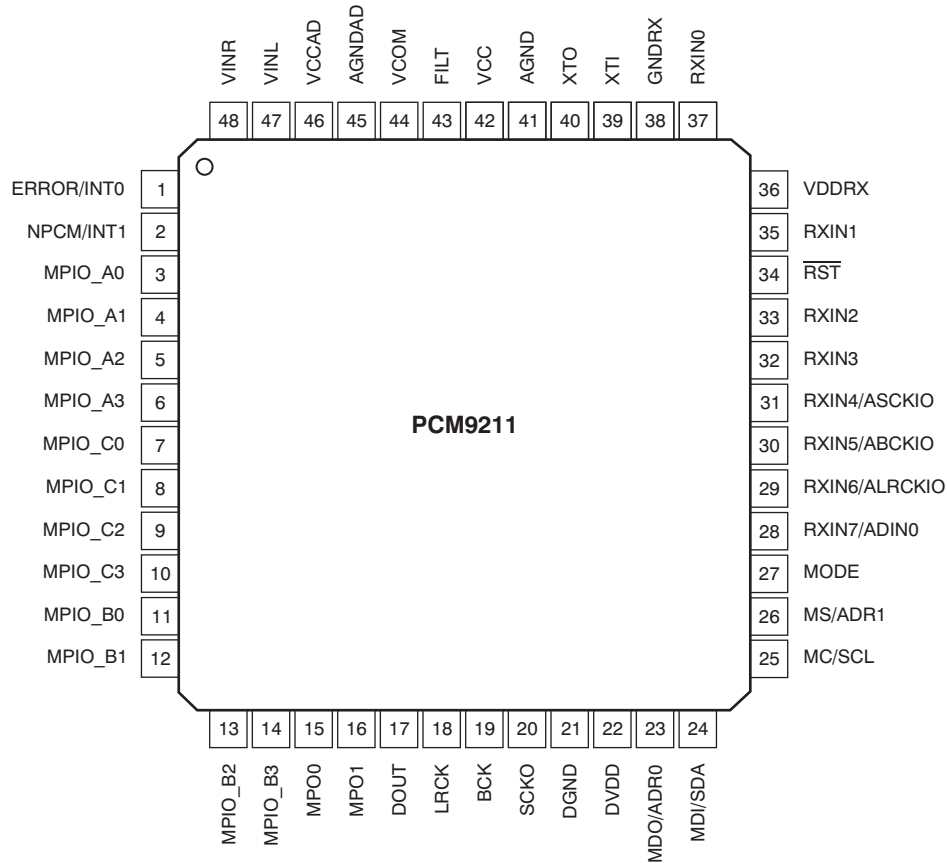
All specifications at $T_A = +25^\circ\text{C}$, $V_{CC} = V_{DD} = V_{DDR\text{X}} = 3.3\text{ V}$, and $V_{CCAD} = 5\text{ V}$, unless otherwise noted.

PARAMETER	TEST CONDITIONS	PCM9211			UNIT	
		MIN	TYP	MAX		
DIR, COAXIAL INPUT AMPLIFIER (RXIN0 and RXIN1)						
Input resistance			20		k Ω	
Input voltage		0.2			V_{PP}	
Input hysteresis			50		mV	
Input sampling frequency		7		216	kHz	
DIR, BIPHASE SIGNAL INPUT and PLL						
Input biphase sampling frequency range	Normal mode		28		108	kHz
	Wide mode		7		216	kHz
Input sampling frequency accuracy	IEC60958-3 (2003-01)	Level III ($\pm 12.5\%$)				
Jitter tolerance	IEC60958-3 (2003-01)	IEC60958-3				
PLL lock up time ⁽¹⁾	From biphase signal detection to error out release (ERROR = L)			100	ms	
DIR, RECOVERED CLOCK and DATA						
Serial audio data width			16		24	Bits
System clock frequency	128f _S		0.896		27.648	MHz
	256f _S		1.792		55.296	MHz
	512f _S		3.584		55.296	MHz
Bit clock frequency	64f _S		0.448		13.824	MHz
LR clock frequency	f _S		7		216	kHz
System clock jitter	f _S = 48 kHz, SCKO = 256f _S , measured period jitter			50	100	ps, rms
System clock duty cycle	50% reference		± 5		± 5	%
DIT						
Output biphase sampling frequency			7		216	kHz
Input system clock frequency	128f _S		0.896		27.648	MHz
	256f _S		1.792		55.296	MHz
	512f _S		3.584		55.296	MHz
Input bit clock frequency	64f _S		0.448		13.824	MHz
Input LR clock frequency	f _S		7		216	kHz
OSCILLATOR CIRCUIT, XTI and XMCKO CLOCK						
XTI source clock frequency			24.576			MHz
Frequency accuracy		-100		100		ppm
XTI input clock duty cycle		45		55		%
XMCKO frequency			24.576			MHz
XMCKO output duty cycle	50% reference		± 5		± 5	%
PCM OUTPUT PORT (SCKO, BCK, LRCK, DOUT)						
System clock frequency	128f _S / 256f _S / 512f _S		0.896		55.296	MHz
Bit clock output frequency	64f _S		0.448		13.824	MHz
LR clock output frequency	f _S		7		216	kHz
ROUTING						
System clock frequency	128f _S / 256f _S / 512f _S		0.896		55.296	MHz
Bit clock output Frequency	64f _S		0.448		13.824	MHz
LR clock output frequency	f _S		7		216	kHz

(1) PLL lock-up time varies with *ERROR release wait time* setting (Register 23h/ERRWT). Therefore, lock-up time in this table shows the value at ERRWT = 11 as the shortest time setting.

PIN CONFIGURATIONS

PT PACKAGE LQFP-48 (TOP VIEW)



PIN FUNCTIONS

PIN				DESCRIPTION
NO.	NAME	I/O	5-V TOLERANT	
1	ERROR/INT0	O	No	DIR Error detection output / Interrupt0 output
2	NPCM/INT1	O	No	DIR Non-PCM detection output / Interrupt1 output
3	MPIO_A0	I/O	Yes	Multipurpose I/O, Group A ⁽¹⁾
4	MPIO_A1	I/O	Yes	Multipurpose I/O, Group A ⁽¹⁾
5	MPIO_A2	I/O	Yes	Multipurpose I/O, Group A ⁽¹⁾
6	MPIO_A3	I/O	Yes	Multipurpose I/O, Group A ⁽¹⁾
7	MPIO_C0	I/O	Yes	Multipurpose I/O, Group C ⁽¹⁾
8	MPIO_C1	I/O	Yes	Multipurpose I/O, Group C ⁽¹⁾
9	MPIO_C2	I/O	Yes	Multipurpose I/O, Group C ⁽¹⁾
10	MPIO_C3	I/O	Yes	Multipurpose I/O, Group C ⁽¹⁾
11	MPIO_B0	I/O	Yes	Multipurpose I/O, Group B ⁽¹⁾
12	MPIO_B1	I/O	Yes	Multipurpose I/O, Group B ⁽¹⁾
13	MPIO_B2	I/O	Yes	Multipurpose I/O, Group B ⁽¹⁾
14	MPIO_B3	I/O	Yes	Multipurpose I/O, Group B ⁽¹⁾
15	MPO0	O	No	Multipurpose output 0

(1) Schmitt trigger input

PIN FUNCTIONS (continued)

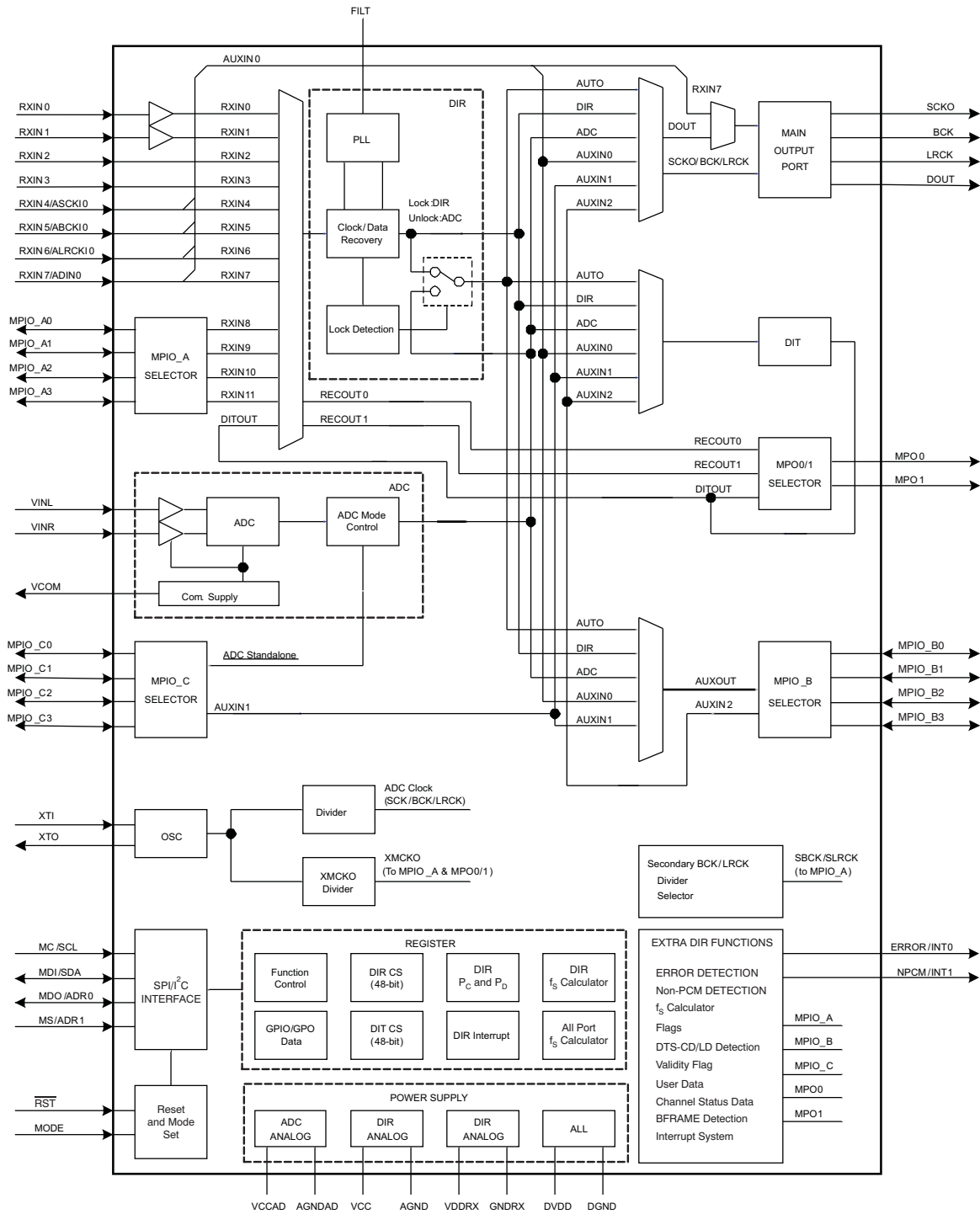
PIN				DESCRIPTION
NO.	NAME	I/O	5-V TOLERANT	
16	MPO1	O	No	Multipurpose output 1
17	DOUT	O	No	Main output port, serial digital audio data output
18	LRCK	O	No	Main output port, LR clock output
19	BCK	O	No	Main output port, Bit clock output
20	SCKO	O	No	Main output port, System clock output
21	DGND	–	–	Ground, for digital
22	DVDD	–	–	Power supply, 3.3 V (typ.), for digital
23	MDO/ADRO	I/O	Yes	Software control I/F, SPI data output / I ² C slave address setting ⁰⁽²⁾
24	MDI/SDA	I/O	Yes	Software control I/F, SPI data input / I ² C data input/output ⁽²⁾⁽³⁾
25	MC/SCL	I	Yes	Software control I/F, SPI clock input / I ² C clock input ⁽²⁾
26	MS/ADR1	I	Yes	Software control I/F, SPI chip select / I ² C slave address setting ¹⁽²⁾
27	MODE	I	No	Control mode setting, (see the Serial Control Mode section, Control Mode Pin Setting)
28	RXIN7/ADIN0	I	Yes	Biphase signal, input 7 / AUXIN0, serial audio data input ⁽²⁾
29	RXIN6/ALRCKI0	I	Yes	Biphase signal, input 6 / AUXIN0, LR clock input ⁽²⁾
30	RXIN5/ABCKI0	I	Yes	Biphase signal, input 5 / AUXIN0, bit clock input ⁽²⁾
31	RXIN4/ASCKI0	I	Yes	Biphase signal, input 4 / AUXIN0, system clock input ⁽²⁾
32	RXIN3	I	Yes	Biphase signal, input 3 ⁽²⁾
33	RXIN2	I	Yes	Biphase signal, input 2 ⁽²⁾
34	$\overline{\text{RST}}$	I	Yes	Reset Input, active low ⁽²⁾⁽⁴⁾
35	RXIN1	I	Yes	Biphase signal, input 1, built-in coaxial amplifier
36	VDDR _X	–	–	Power supply, 3.3 V (typ.), for RXIN0 and RXIN1.
37	RXIN0	I	Yes	Biphase signal, input 0, built-in coaxial amplifier
38	GND _{RX}	–	–	Ground, for RXIN
39	XTI	I	No	Oscillation circuit input for crystal resonator or external XTI clock source input ⁽⁵⁾
40	XTO	O	No	Oscillation circuit output for crystal resonator
41	AGND	–	–	Ground, for PLL analog
42	VCC	–	–	Power supply, 3.3 V (typ.), for PLL analog
43	FILT	O	No	External PLL loop filter connection terminal; must connect recommended filter
44	VCOM	O	No	ADC common voltage output; must connect external decoupling capacitor
45	AGND _{AD}	–	–	Ground, for ADC analog
46	VCC _{AD}	–	–	Power supply, 5.0 V (typ.), for ADC analog
47	VINL	I	No	ADC analog voltage input, left channel
48	VINR	I	No	ADC analog voltage input, right channel

(2) Schmitt trigger input

(3) Open-drain configuration in I²C mode(4) Onboard pull-down resistor (50 k Ω , typical)

(5) CMOS Schmitt trigger input

BLOCK DIAGRAM



TYPICAL CHARACTERISTICS: ADC

All specifications at $T_A = +25^\circ\text{C}$, $V_{CCAD} = 5\text{ V}$, $V_{DD} = 3.3\text{ V}$, $f_S = 48\text{ kHz}$, $\text{SCK} = 512f_S$, and 24-bit data, unless otherwise noted.

TOTAL HARMONIC DISTORTION + NOISE vs TEMPERATURE

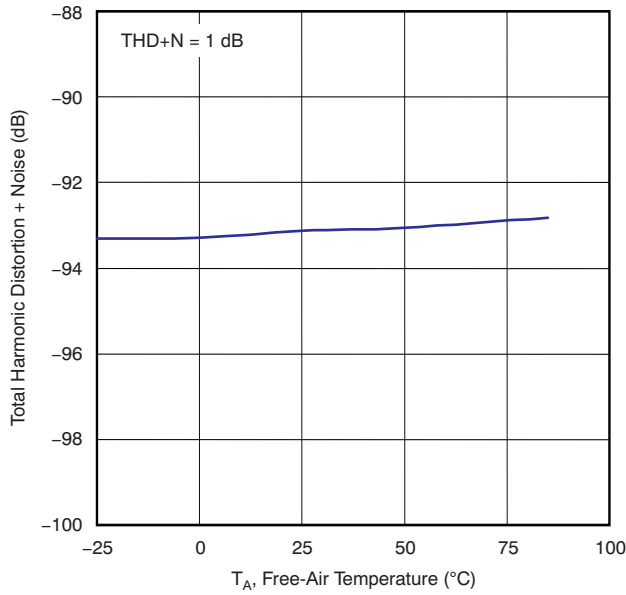


Figure 1.

DYNAMIC RANGE AND SNR vs TEMPERATURE

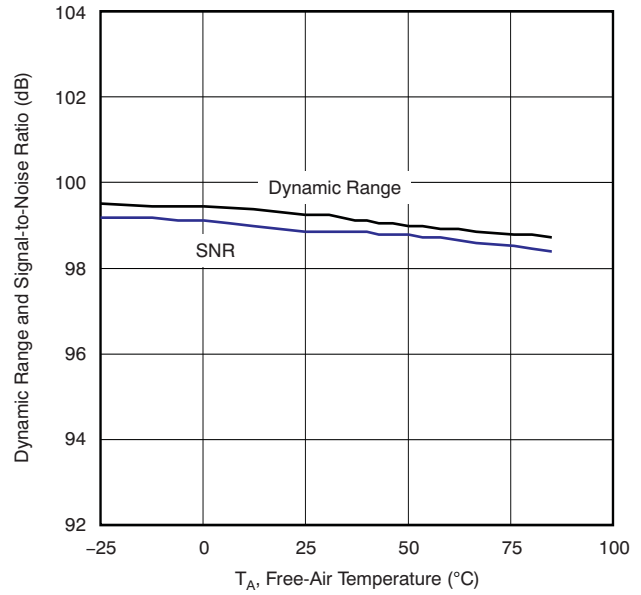


Figure 2.

TOTAL HARMONIC DISTORTION + NOISE vs SUPPLY VOLTAGE

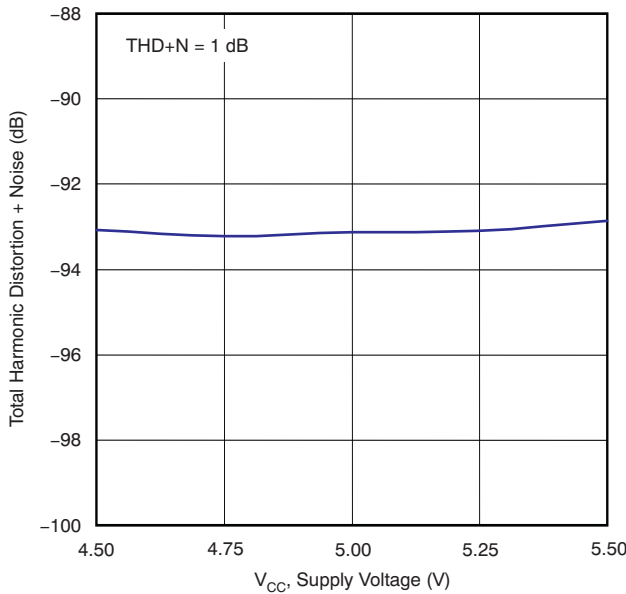


Figure 3.

DYNAMIC RANGE AND SNR vs SUPPLY VOLTAGE

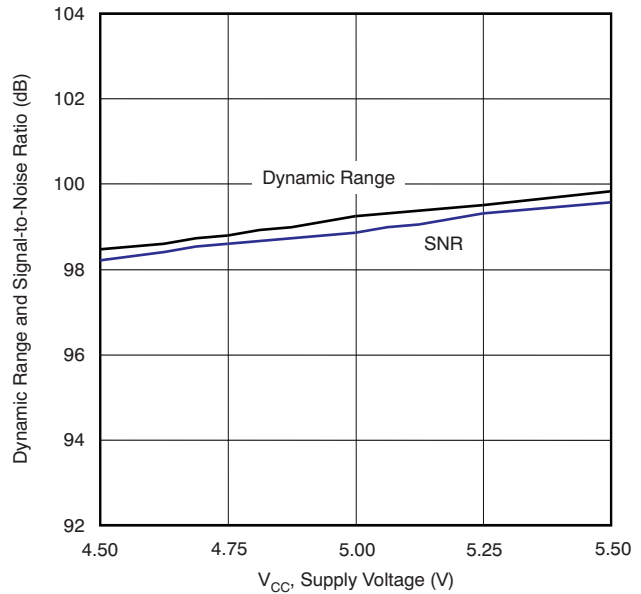


Figure 4.

TYPICAL CHARACTERISTICS: ADC (continued)

All specifications at $T_A = +25^\circ\text{C}$, $V_{CCAD} = 5\text{ V}$, $V_{DD} = 3.3\text{ V}$, $f_S = 48\text{ kHz}$, $\text{SCK} = 512f_S$, and 24-bit data, unless otherwise noted.

ADC OUTPUT SPECTRUM

OUTPUT SPECTRUM
(-1 dB, N = 32,768)

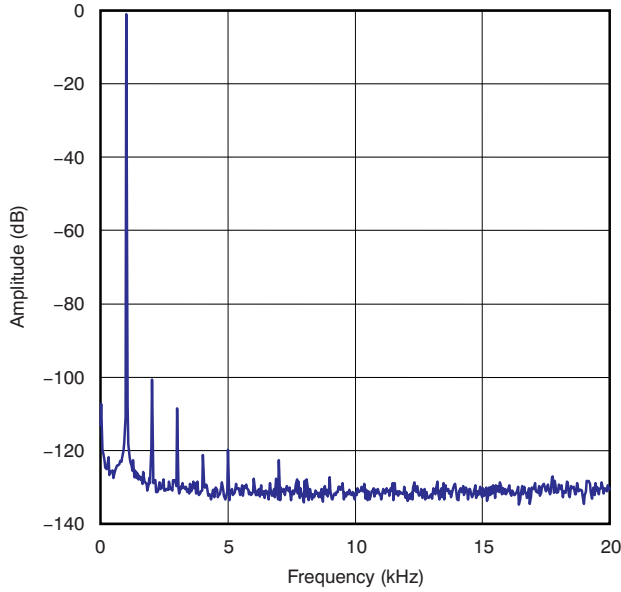


Figure 5.

OUTPUT SPECTRUM
(-60 dB, N = 32,768)

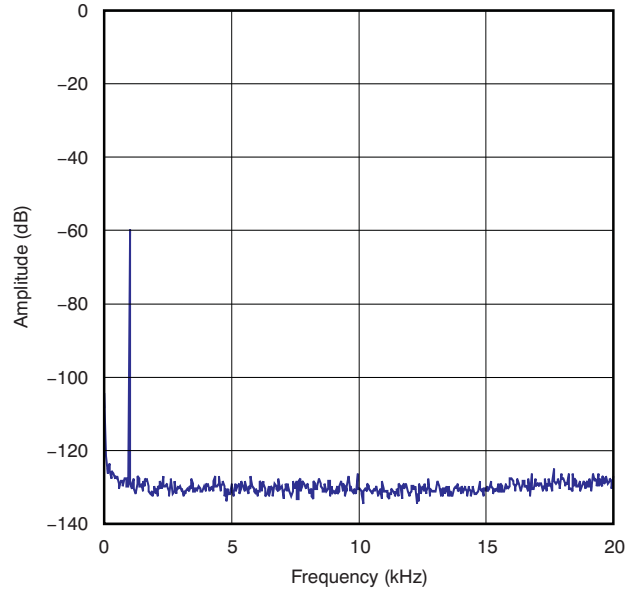


Figure 6.

ADC INTERNAL FILTER

DECIMATION FILTER
STOP BAND CHARACTERISTIC

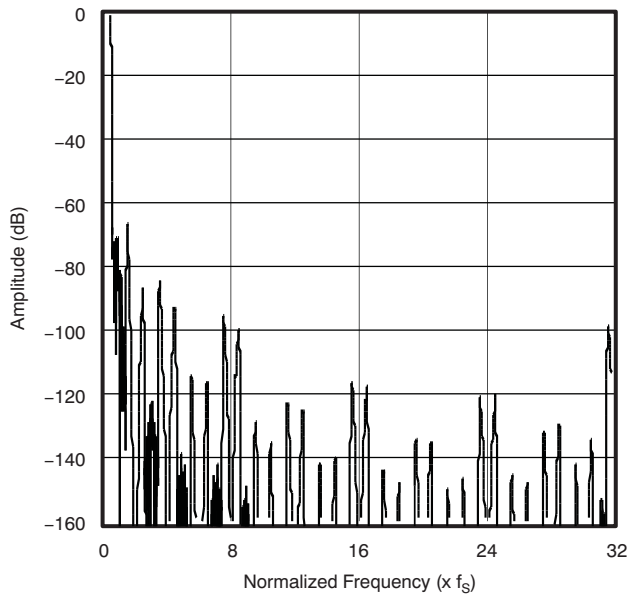


Figure 7.

DECIMATION FILTER
PASSBAND CHARACTERISTIC

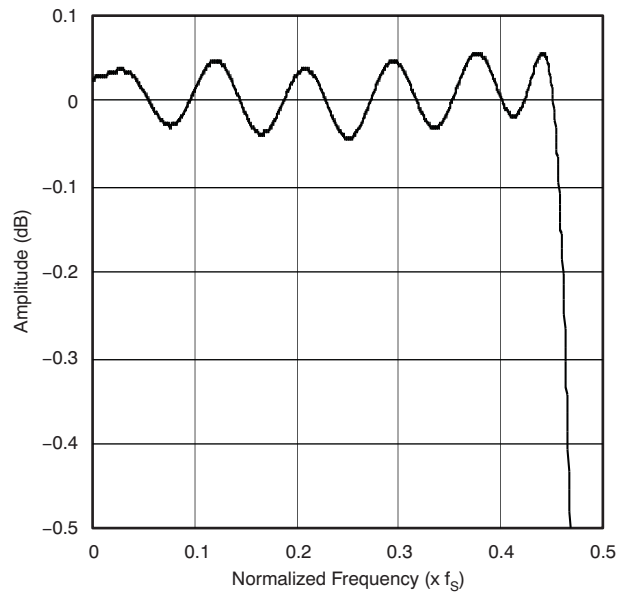


Figure 8.

TYPICAL CHARACTERISTICS: ADC (continued)

All specifications at $T_A = +25^\circ\text{C}$, $V_{CCAD} = 5\text{ V}$, $V_{DD} = 3.3\text{ V}$, $f_S = 48\text{ kHz}$, $SCK = 512f_S$, and 24-bit data, unless otherwise noted.

HIGH-PASS FILTER CHARACTERISTIC

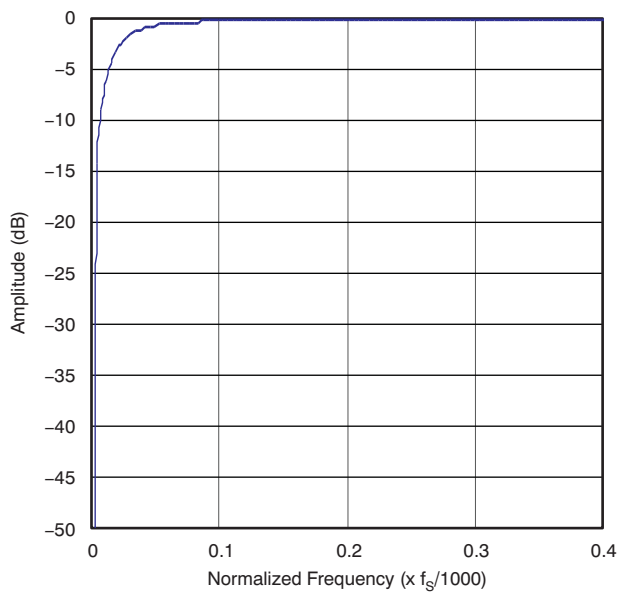


Figure 9.

ANTI_ALIASING FILTER CHARACTERISTIC

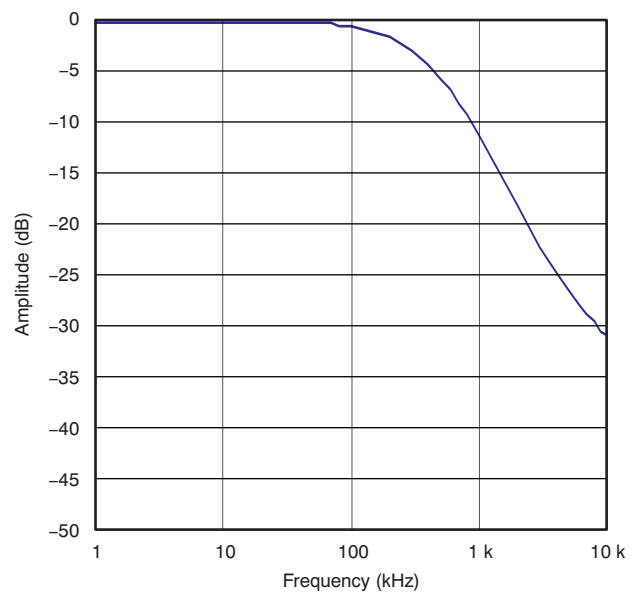


Figure 10.

OVERVIEW

Introduction

The PCM9211 is an analog and digital front-end device for any media player/recorder. It integrates a 216-kHz Digital Audio Transceiver (DIX), a 96-kHz stereo ADC, and multiple PCM (I²S, Left-Justified, Right-Justified) interfaces. Additionally, the device integrates a router that allows any source (ADC, DIR, or PCM) to be routed to one of three outputs (2x PCM and DIT), thus significantly reducing the number of external components required to route sources to the core DSP.

Each audio interface of the PCM9211 (that is, the ADC, DIT, and DIR) can operate asynchronously at different sampling rates, allowing an analog source to be sampled at 96 kHz and to be switched over to an S/PDIF source driving encoded data at 48 kHz.

The PCM9211 also features a power down function that can be set via hardware pins and registers, ensuring that the system minimizes power consumption during standby.

Digital Audio Interface Receiver (DIR)

Up to 12 single-ended S/PDIF input pins are available on the PCM9211 DIR module. Two of the 12 S/PDIF inputs integrate coaxial amplifiers; the other inputs are designed to be directly connected to CMOS sources (up to +5 V), or standard S/PDIF optical modules.

The DIR module outputs the first 48 bits of channel status data from each frame into specific registers that can be read via the control interface. In addition, the DIR can detect non-PCM data (such as compressed multi-channel data) by looking at channel status bits, burst preambles and DTS-CD/LD. When the DIR detects non-PCM audio data, its status can be configured to the NPCM pin (pin 2). Control of pin 2 (NPCM or INT1) is set by register 2Bh.

When the DIR encounters an error (for example, when it loses a lock), an error signal can be configured and sent to the ERROR pin (pin 1). Control of pin 1 (ERROR or Int0) is set by Register 20h. Preamble data P_C and P_D (typically used to transmit format information such as Digital Theater Sound, or DTS, or AC-3™ data) can be read from registers Register 3Ah through Register 3Dh. For more information, see the audio data standard IEC61937.

The PCM9211 has two interrupt pins (INT0 and INT1) that are shared with other functions (NPCM and ERROR). The interrupt pins, when configured, can be used for operations such as interrupt transmissions to the DSP (for example, instructing the DSP where the start of the frame is, etc.). Eight different factors can drive the interrupt. For more details, see Register 2Ch and Register 2Dh. The interrupt source can also be stored in a register to be read by a DSP, if required.

When switching from one source to the DIR and vice-versa, additional circuitry in the DIR helps continuity between the crystal clock source and an internal phase-locked loop (PLL). During a clock source switch, a clock transition signal can be output that can then be used by the processor to respond accordingly (such as temporarily muting the output).

An integrated sample rate calculator in the DIR can read and detect both the incoming data rate of the S/PDIF input as well as the sample rate information bits that are within the channel status data.

The PCM9211 has an internal clock divider that changes its system clock (SCK) output rate in order to maintain synchronization between the incoming clock and the receiver (based on the autodetector of the incoming data rate). For example, if the user switches from a 96-kHz source to a 48-kHz source, the divider automatically detects the switch and changes the clock dividing ratio to ensure that the subsequent DSP continues to receive the same system clock.

The PCM9211 also has two output ports for the DIR output. The primary output is available from the Main Port and/or MPIO_B; the secondary port is available through MPIO_A. The dividing ratio of BCK and LRCK for the primary output is defined by the DIR. The dividing ratio for the second output (normally taken from MPIO_A) is defined by Register 32h and Register 33h.

When the PLL is locked, the secondary clock source automatically selects the PLL clock (256f_s). Otherwise, the XTI clock source is selected. Register 32h should be used for dividing in the lock status (that is, the PLL source). When unlocked, Register 33h should be used (the XTI source).

The PCM9211 has two RECOUT signals that can be routed to the MPO port. The respective sources can be drawn from one of the 12 S/PDIF inputs, or the DIT module.

Channel status, user data, and valid audio data from the S/PDIF stream can be found in various registers or routed to MPIO pins. In addition, the *block start* signal can be routed to an I/O pin, so that any postprocessing DSP can be informed of the start of a frame for decoding data and so forth.

The DIR module in the PCM9211 complies with these digital audio I/F standards:

- S/PDIF
- IEC60958 (formerly IEC958)
- JEITA CPR-1205 (formerly EIAJ CP-1201/340)
- AES3
- EBU Tech 3250 (also known as AES/EBU)

In addition, the DIR Module within the PCM9211 also meets and exceeds jitter tolerance specifications defined by IEC60958-3 for sampling frequencies between 28 kHz and 216 kHz.

Digital Audio Interface Transmitter (DIT)

The DIT (S/PDIF transmitter) is a relatively simple module. The DIT integrated in the PCM9211 is able to transmit control status and user bits in the data stream, as well as standard 24-bit audio. Channel status, user data, and Audio Valid bits in the stream are configured on incoming MPIO pins.

The DIT complies with the following audio standards:

- S/PDIF
- IEC60958 (formerly IEC958)
- JEITA CPR-1205 (formerly EIAJ CP-1201/340)
- AES3
- EBU Tech 3250 (also known as AES/EBU)

Analog-to-Digital Converter (ADC)

The integrated ADC within the PCM9211 is capable of supporting 24-bit data from 16 kHz up to 96 kHz. The signal-to-noise ratio (SNR) of the ADC module at 96 kHz is 101 dB.

The PCM9211 contains integrated front-end buffer amplifiers for the ADC, thereby reducing the need for external amplifiers. The ADC also has several digital features, including digital volume control (adjustable from –100 dB to +20 dB in 0.5-dB steps), digital mute, and the ability to phase-invert the digital output.

Additionally, interrupts can be generated based on the ADC inputs being larger than user-defined threshold levels.

In standalone mode, the ADC can be either a clock master or a clock slave.

Auxiliary PCM Audio Input and Output (I/O)

There are up to 3x digital auxiliary (AUX) inputs and one AUX output on the PCM9211. These I/Os are multiplexed and shared with RXIN4 through RXIN7, MPIOB, and MPIOC. Each input and output supports a four-wire digital audio interface that is similar to the I²S protocol. Each I/O can support SCK (system clock), BCK (bit clock), LRCK (left/right clock, or word clock) and data transmissions. The audio format supported through the Aux I/O can be configured for I²S, 24-bit left-justified (LJ), 24-bit right-justified (RJ), and 16-bit RJ output.

The AUX inputs are designed to be driven in Clock Slave mode. The Aux Output can only operate in Master mode. The system clock can be run from 128f_s, 256f_s, and 512f_s. However, the ADC cannot run from 128f_s.

Routing

All 3x AUXIN data and clocks, in addition to data and clocks from the ADC and DIR modules, are routed to three output ports. The Main Output Port and Aux Output Port (that can be output through MPIO_B) are both PCM outputs capable of I²S, RJ, and LJ. The DIT output is an S/PDIF signal output.

All three outputs have individual multiplexers that can select between the AUXINs, DIR, or ADC.

Control Interface

The PCM9211 can be controlled by either SPI or I²C (up to a 400-kHz I²C bus). However, on startup, the device goes into a default routing mode. Details of this mode are discussed in the [Serial Control Mode](#) section. For certain applications, the default configuration may be suitable, and therefore does not require external programming.

Multipurpose I/O

The PCM9211 includes 12 MPIO (Multi-Purpose Inputs/Outputs) and two MPO (Multi-Purpose Output) pins. These MPIO/MPO pins can be easily set to different configurations through registers to allow different routing and provide data outputs based on the specific application.

The 12 MPIO pins are divided into three groups (A, B, and C); each group has four pins (MPIO_Ax, MPIO_Bx, and MPIO_Cx).

For example, to access all 12 S/PDIF inputs, the MPIO_Ax pins can be configured to support S/PDIF RXIN8 and RXIN11. However, if the application requires an additional I²S input, then the MPIO_Ax pins can be configured for an Aux In instead of RXIN8 and RXIN11.

PCM9211 MODULE DESCRIPTIONS

Power Supply

The PCM9211 has four power-supply pins and four ground pins. All ground pins (AGND, AGNDAD, DGND, and GNDRX) must be connected as closely as possible to the PCM9211. The PCM9211 DVDD and DGND pins are power-supply pins that support all the onboard digital circuitry for the PCM9211. DVDD should be connected to a 3.3-V supply. DVDD drives the internal power-on reset circuit, making it a startup requirement.

VCC and AGND are analog power-supply power pins that support the DIR analog supply rails.

VDDAD and AGNDAD are dedicated power-supply pins for the onboard ADC. VDDAD should be connected to a 5.0-V power rail.

VDDR is a dedicated power supply for the coaxial input amplifiers on pins RXIN0 and RXIN1. It should be connected to a 3.3-V pin. The relative GND pin for this supply is GNDRX. If the coaxial amplifiers are not used (for example, the application only uses optical inputs), then no power supply is required for the VDDR.

If the onboard ADC is not used (such as when the application uses an external ADC) then no power supply is required for the VCCAD pin. This option means that a 5-V rail is not required when the internal ADC is not used. In such situations, VCCAD should be connected to AGND OR AGNDAD.

Because VCC (3.3 V) is an analog supply (used as part of the power supply for the DIR PLL), care should be taken to ensure minimum noise and ripple are present. 0.1- μ F ceramic capacitors and 10- μ F electrolytic capacitors should be used to decouple each supply pin to the respective relative GND (for example, to decouple VCCAD and AGNDAD).

Power-Down Function

The PCM9211 has a power-down function that is controlled by the external $\overline{\text{RST}}$ pin or a power control register.

When the $\overline{\text{RST}}$ pin is held at GND, the PCM9211 powers down.

When the device is powered down (that is, $\overline{\text{RST}} = \text{GND}$), all register values are cleared and reset to the respective default values. By default, all modules are powered on except for the coaxial amplifier.

The other option for powering down the device is to use the Power Control Register (Register 40h). The Power Control Register allows selective power down of the DIR, ADC, DIT, Coax Amp, and Oscillator circuit without resetting other registers to the respective default modes.

The advantage of using the registers to power down individual modules of the PCM9211 is that the registers retain the respective settings rather than resetting to default.

System Reset

The PCM9211 has two sources for reset: the internal power-on reset circuit (hereafter called *POR*) and the external reset circuit. See [Figure 14](#) for an illustration of the timing sequence during an internal power-on reset event. Initialization (reset) is done automatically when V_{DD} exceeds 2.2 V (typ).

When only the onboard POR is to be used, the $\overline{\text{RST}}$ pin should be connected to V_{DD} directly. An external pull-up resistor should not be used, because the $\overline{\text{RST}}$ pin has an internal pull-down resistor (typ 50 k Ω). If an external resistor is used, then the reset is not released. The reset sequence is shown in [Figure 11](#).

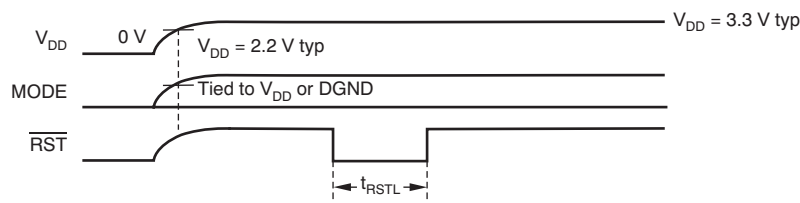


Figure 11. Required System Reset Timing

Table 1 shows the timing requirements to reset the device using the $\overline{\text{RST}}$ pin.

Table 1. Timing Requirements for $\overline{\text{RST}}$ Pin Device Reset

SYMBOL	DESCRIPTION	MIN	TYP	MAX	UNITS
t_{RSTL}	$\overline{\text{RST}}$ pulse width ($\overline{\text{RST}}$ pin = low)	1			μs

The condition of each output pins during the device reset is shown in Table 2.

Table 2. Output Pin Condition During Reset

CLASSIFICATION	PIN NAME	AT $\overline{\text{RST}} = \text{L}^{(1)}$
Main Output Port	SCKO	L
	BCK	L
	LRCK	L
	DOUT	L
Flag and Status	ERROR/INT0	H
	NPCM/INT1	L
MPIOs and MPOs	MPIO_A0 through MPIO_A3	Hi-Z
	MPIO_B0 through MPIO_B3	Hi-Z
	MPIO_C0 through MPIO_C3	Hi-Z
	MPO0, MPO1	L
Serial I/F	MDI/SDA	Hi-Z
	MDO/ADR0	Hi-Z
Oscillation Circuit	XTO	Output
Common Supply for ADC	VCOM	Output
Coax Input	RXIN0, RXIN1	H

(1) L = low, H = high, Hi-Z = high impedance.

PCM Audio Interface Format

Each of the modules in the PCM9211 (DIR, DIT, ADC, Aux I/Os) supports these four interface formats:

- 24-bit I²S format
- 24-bits Left-Justified format
- 24-bit Right-Justified format
- 16-bit Right-Justified format

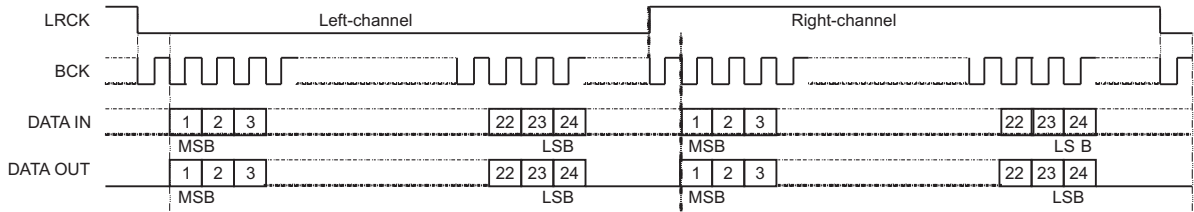
32-bit interfaces are supported for the paths from AUXIN0/1/2 to MainPort/AUXOUT.

All formats are provided twos complement, MSB first. They are selectable through SPI-/I²C-accessible registers. The specific control registers are:

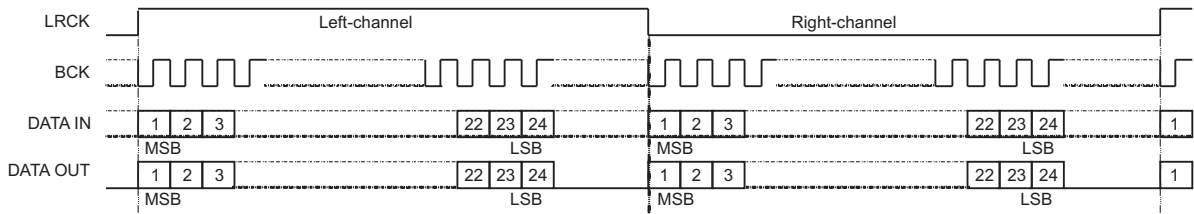
- DIR: RXFMT[2:0]
- ADC: ADFMT[1:0]
- DIT: TXFMT[1:0]

Figure 12 illustrates these formats.

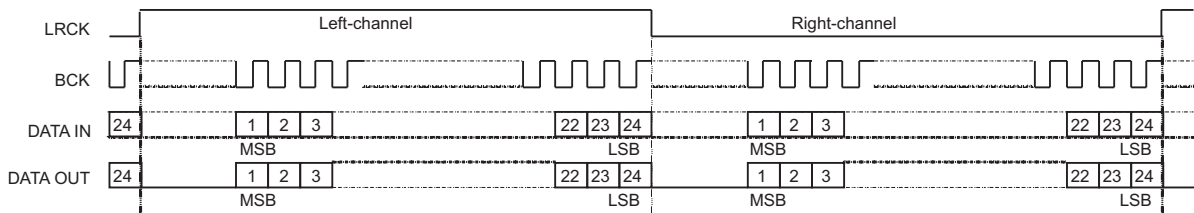
MSB First, 24-bit I²S



MSB First, 24-bit Left Justified



MSB First, 24-bit Right Justified



MSB First, 16-bit Right Justified

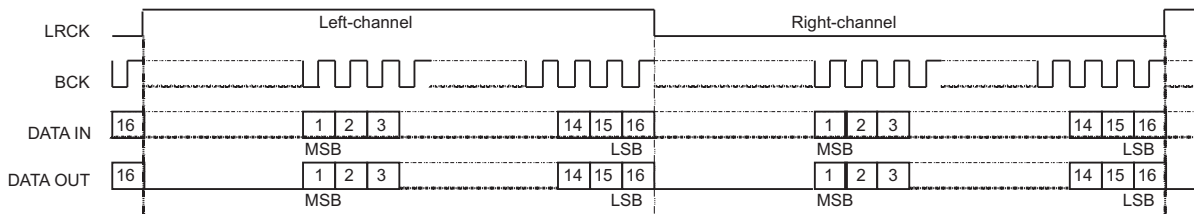


Figure 12. Audio Data Input/Output Format

ADC Details

System Clock

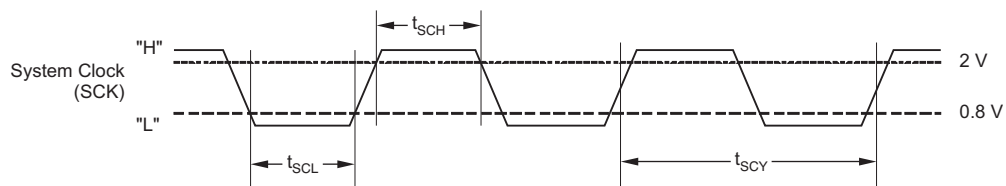
The system clock for the ADC of the PCM9211 must be either $256f_s$ or $512f_s$, where f_s is the audio sampling rate for the ADC (16 kHz to 96 kHz).

Table 3 lists the typical system clock frequencies f_{SCK} for common audio sampling rates. Figure 13 shows the timing requirements for the system clock inputs.

Table 3. ADC Clock Requirements

SAMPLING FREQUENCY	BIT CLOCK FREQUENCY	SYSTEM CLOCK FREQUENCY	
	$64f_s$	$256f_s$	$512f_s$
16 kHz	1.024 MHz	4.0960 MHz	8.1920 MHz
32 kHz	2.048 MHz	8.1920 MHz	16.3840 MHz
44.1 kHz	2.8224 MHz	11.2896 MHz	22.5792 MHz
48 kHz	3.072 MHz	12.2880 MHz	24.5760 MHz
88.2 kHz	5.6448 MHz	22.5792 MHz	See ⁽¹⁾
96 kHz	6.144 MHz	24.5760 MHz	See ⁽¹⁾

(1) This system clock frequency is not supported for the given sampling clock frequency



SYMBOL	DESCRIPTION	MIN	MAX	UNITS
t_{SCY}	System clock cycle time	30		ns
t_{SCH}	System clock high time	$0.4 t_{SCY}$		ns
t_{SCL}	System clock low time	$0.4 t_{SCY}$		ns
	System clock duty cycle	40	60	%

Note: This timing requirement is applied when ADC clock source (Register 42h/ADCLK) is AUXIN0, AUXIN1 or AUXIN2.

Figure 13. ADC System Clock Input Timing

ADC: Clock Source Configuration

A number of clock sources for the ADC are provided. Clock source selection is done using the ADCLK[2:0] register (Register 42h). In most applications, the onboard clock (XTI) is used, but using another clock source (such as a DIR recovered clock or AUXIN clock) is also possible. The ADC can only be used in a slave mode unless it is set to run in standalone mode.

1. Driving the ADC From an XTI (External) Clock

The dividing ratio for the incoming clock (XTI) is set by using the registers XSCK[1:0], XBCL[1:0], and XLRCL[1:0] (Register 31h). These registers provide the ability to drive the device up to 192 kHz; however, the integrated ADC sample rate is only supported in the range of 16 kHz to 96 kHz.

Keep this limitation in mind when setting the registers.

2. Driving the ADC From the DIR Clock

The ADC maximum specified sampling frequency is 96 kHz. The maximum supported frequency of the DIR is 216 kHz. Therefore, special care must be taken when driving the ADC clock from the DIR receiver clock.

Driving the ADC clock from the DIR is done by setting Register 42h/ADCLK-001. An ADC clock limiter is set in Register 42h/ADFSLMT. This limiter only functions when the DIR is selected as the clock source.

If the DIR receives data that are over 96 kHz and generates a clock for the ADC that exceeds its specifications, then the ADC is forced into a power-down state. If the limiter is not set, the ADC will run beyond its specified limits and generate erroneous data.

ADC: Standalone Operation

This configuration allows separate use of the ADC from the rest of the device. In this configuration, PCM data (SCK, BCK, LRCK, and Data) are routed directly out to MPIO_C.

This mode is the only state where the ADC can act as the master (set in register ADIFMD). In master mode, the ADC can output SCK clocks at $256f_s$ or $512f_s$.

During normal ADC operation, the system clock (SCK) is sourced within the PCM9211 (that is, either the DIR SCK, or the oscillator circuit SCK). By running the ADC in Master mode, the ADC can operate from an external SCK source (such as a DSP or PLL circuit), and provide BCK and LRCK to the rest of the PCM9211 circuitry and external components.

To configure the ADC for standalone operation, set MPCSEL[2:0] to *001*. ADIFMD should also be set to *010* or *100*.

Additional ADC Functions

The onboard ADC has some additional functions. Control of these functions is done using several registers (Register 40h through Register 49h).

Each ADC channel has a digital attenuator function. The level of attenuation can be set from 20 dB to –100 dB in 0.5-dB steps, and also set to infinite attenuation (mute). By default, the digital gain/attenuation is moved 0.5-dB steps closer from its current level to its new setting only when the sampled output crosses zero (zero crossing). Changing gain or attenuation at zero crossing points in the audio minimizes zipper noise.

If zero crossing is disabled, then the gain steps ± 0.5 dB towards its target every $8/f_S$. Zero crossing detection is modified using the ADZCDD register. If zero crossing is not detected for $512/f_S$ (for example, if there is a significant dc bias on the signal), then the level change is done on every samples ($1/f_S$) until zero crossing is detected again.

If updated volume change instructions are received during a volume change, they will be ignored until the current change is complete.

The attenuation level for each channel can be set individually using the following formula:

$$\text{Attenuation Level (dB)} = 0.5 \bullet (\text{AT1x}[7:0]_{\text{DEC}} - 215), \text{ where } \text{AT1x}[7:0]_{\text{DEC}} = 0 \text{ through } 255$$

For ADATTTL[7:0]_{DEC} = 0 through 14, attenuation is set to infinite attenuation (mute).

For ADATTR[7:0]_{DEC} = 0 through 14, attenuation is set to infinite attenuation (mute).

ADC: Power Down and Power Up

If synchronization is maintained among SCKI, BCK, and LRCK, the DOUT from the ADC is enabled and a *fade-in* begins $t_{\text{ADCDLY1}} = 2048/f_S$ after the internal reset is released. DOUT then starts to output data corresponding to V_{INL} and V_{INR} after $t_{\text{ADCDLY2}} = 1936/f_S$ from the start of fade-in. If synchronization is not maintained, the internal reset is not released, and the ADC is held in reset. After resynchronization, the ADC begins its fade-in operation after internal initialization and an initial delay. During fade-in ($t_{\text{ADCDLY1}} + t_{\text{ADCDLY2}}$) and fade-out (t_{ADCDLY2}), SCKI, BCK, and LRCK must be provided. Figure 14 illustrates the ADC output sequence at power up and power down.

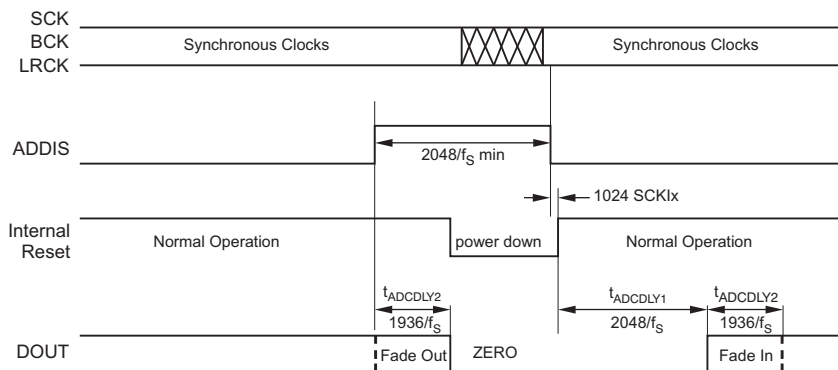
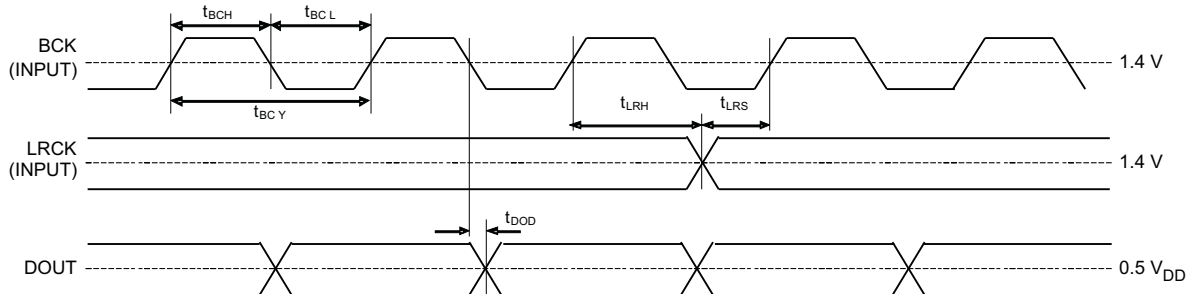


Figure 14. ADC Output at Power Up and Power Down

ADC: Audio Interface Mode and Timing

The digital audio data can be interfaced in either slave or master mode. The interface mode is selected by using the serial mode control described in the [Serial Control Mode](#) section. The default mode is slave mode. Master mode is available only for ADC standalone operation by setting Register 6Fh/MPCSEL. In slave mode, BCK and LRCK are inputs to the ADC. BCK must be $64f_s$. DOUT changes on the falling edge of BCK. The default timing specification is shown in [Figure 15](#).

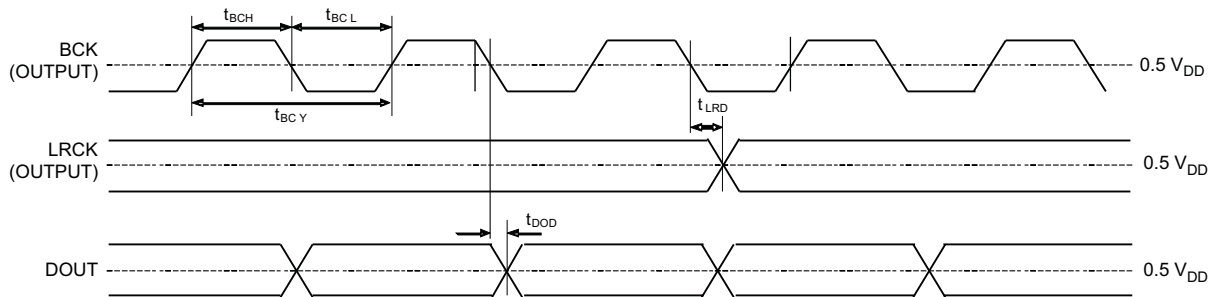


SYMBOL	DESCRIPTION	MIN	TYP	MAX	UNITS
t_{BCY}	BCK Cycle Time	75			ns
t_{BCH}	BCK High Time	35			ns
t_{BCL}	BCK Low Time	35			ns
t_{LRS}	LRCK Set-up Time to BCK Rising Edge	10			ns
t_{LRH}	LRCK Hold Time to BCK Rising Edge	10			ns
t_{DOD}	DOUT Delay Time from BCK Falling Edge	10		70	ns

Note: Load capacitance of output is 20 pF. This timing requirement is applied when the ADC is working in standalone mode. The master mode through MPIO_C ports are set by Register 48h/ADIFMD and Register 6Fh/MPCSEL.

Figure 15. Audio Data Interface Timing (Slave Mode: BCK and LRCK Work as Inputs)

In master mode, BCK and LRCK are output from the ADC of PCM9211. BCK and LRCK are generated by the internal ADC from SCKI, and BCK is fixed as $64f_s$. DOUT changes on the falling edge of BCK. The detailed timing specification is shown in Figure 16.



SYMBOL	DESCRIPTION	MIN	TYP	MAX	UNITS
t_{BCY}	BCK cycle time		$1/64f_s$		
t_{BCH}	BCK high time	$0.4 t_{BCY}$	$0.5 t_{BCY}$	$0.6 t_{BCY}$	
t_{BCL}	BCK low time	$0.4 t_{BCY}$	$0.5 t_{BCY}$	$0.6 t_{BCY}$	
t_{LRD}	LRCK delay time to BCK falling edge	0		30	ns
t_{DOD}	DOUT delay time from BCK falling edge	0		30	ns

Note: Load capacitance of output is 20 pF. This timing requirement is applied when ADC clock source (Register 42h/ADCLK) is AUXIN0, AUXIN1 or AUXIN2. This specification is applied for SCK with a frequency less than 25 MHz.

Figure 16. Audio Data Interface Timing (Master Mode: BCK and LRCK Work as Outputs)

Audio Interface Format

The ADC of the PCM9211 supports the following interface formats in both slave and master modes:

- 24-bit I²S format
- 24-bit Left-Justified format
- 24-bit Right-Justified format
- 16-bit Right-Justified format

All formats are provided twos complement, MSB first. ADC interface formats are set using Register 48h.

ADC and Synchronization with Other Clocks

The PCM9211 operates under the system clock (SCKI) and the audio sampling clock (LRCK). The PCM9211 does not require a specific phase relationship between audio interface clocks (LRCK, BCK) and the system clock (SCKI), but does require the synchronization in the frequency of LRCK, BCK and SCKI. This requirement allows SCKI to be provided elsewhere than from LRCK and BCK.

LRCK and BCK require synchronization at all times.

If the relationship between SCKI and LRCK changes more than ± 6 BCKs as a result of jitter, a frequency change, and so forth, the internal operation of the ADC stops within $2/f_s$, and the digital output will be ZERO codes until resynchronization between SCKI and LRCK and BCK is completed. Real data begin to be generated a period of $t_{ADCDLY3}$ later.

Changes or drift less than ± 5 BCKs do not cause any issues with the device. Figure 17 shows the ADC digital output when synchronization is lost.

The ADC output, DOUT, maintains its previous state if the system clock stops.

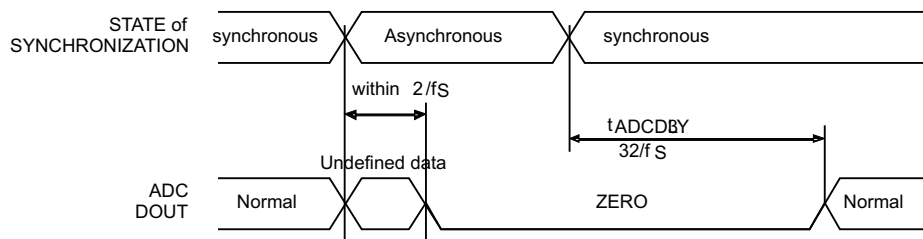


Figure 17. ADC Output for Lost Synchronization

Setting the ADC Sampling Frequency with XTI as Clock Source

Register 31h holds the bytes that control the dividers used to bring the high-speed, 24.567-MHz clock down to SCK, BCK, and LRCK as used by the ADC.

NOTE

While the registers allow operation beyond 96 kHz, the ADC itself does not.

Analog Inputs to the ADC

The ADC module of the PCM9211 has two independent input channels: V_{INL} and V_{INR} . These are single-ended, unbalanced inputs, each capable of $0.6 V_{CC} V_{PP}$ input with 10-k Ω input resistance (typ). The ADC also integrates a buffering operational amplifier and a low-pass filter.

V_{COM} Output

One unbuffered common voltage output pin, V_{COM} (pin 44) is brought out for decoupling purposes. This pin is internally biased to a dc voltage level of $0.5 V_{CCAD}$ (nominal), and is used as internal reference voltage for the ADC. This pin may be used to bias external circuitry (such as an ADC driver op amp), but the load impedance must be high enough because the output impedance of this pin is typically 12.5 k Ω .

Oversampling Rate

The oversampling rate of the PCM9211 ADC is fixed at $64f_S$.

External ADC Mode

To use an external ADC instead of the integrated ADC, the PCM9211 supports *External ADC Mode*. This option enables a connection with an external, 192-kHz capable ADC via the MPIO_B ports. The external ADC must be a clock slave to the PCM9211. The clock source for the external ADC can be selected using Register 42h/ADCLK (the same register that controls the clock source for the internal ADC).

To lower power consumption in the PCM9211, the onboard ADC can be set to power-down state using Register 40h/ADDIS.

To use the external ADC mode, Register 6Fh/MPBSEL must be set to '101' (External Slave ADC Input). Then, each MPIO_B port is assigned for MPIO_B0 = EASCKO (output), MPIO_B1 = EABCKO (output), MPIO_B2 = EALRCKO (output), and MPIO_B3 = EADIN (input). The MPIO_B pins should be connected according to this configuration:

- MPIO_B0 to ADC system clock input
- MPIO_B1 to ADC bit clock input
- MPIO_B2 to ADC LR clock input
- MPIO_B3 to ADC data output

ADC Level Detect and Interrupt

The PCM9211 has the ability to monitor audio inputs, which can be used to trigger interrupt outputs on port INT1. The ADC has a level monitor that can be set so that INT1 can be triggered whenever a specific level (referenced to 0dBFS) is crossed. A block diagram for this function is shown in Figure 18.

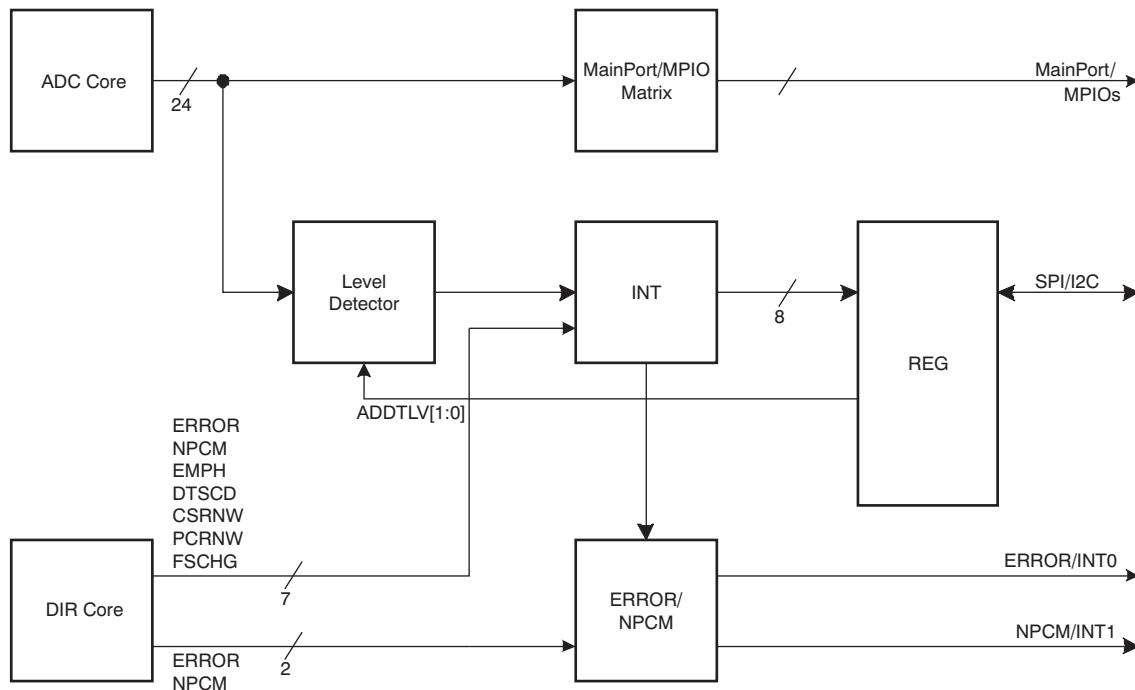


Figure 18. Block Diagram for ADC Level Detection

Operation of the level detect circuitry is shown in Figure 19. The ADC level detect is flagged when either ADC channel goes high. The flag is cleared when Register 2Dh is read.

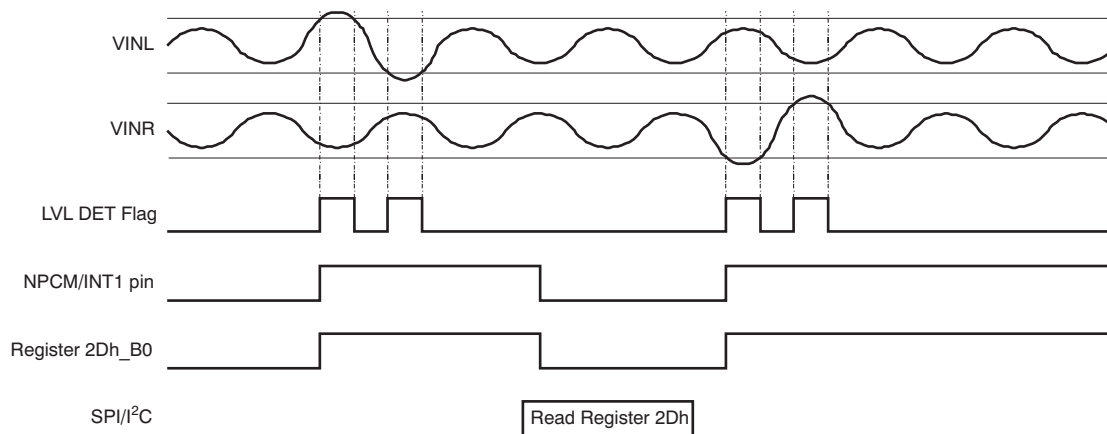


Figure 19. Operation of the ADC Level Detect Circuitry

The trigger threshold for the ADC can be configured at four different levels below full scale using the ADLVLTH[1:0] bits in Register 2Eh. The output is post-ADC volume control, allowing finer gain steps to be configured by changing the ADC volume control.

In a typical application, this level change is done as the system moves into standby, and reset back to 0dB attenuation when the system wakes up.

The output of this comparator circuit can be ORed along with the INT1 interrupt that is sourced. When the INT1 interrupt is flagged, then the INT1 output register can be read by the host controller.

Real World Application

By using both the S/PDIF lock status on INT0 and the analog level detect output on INT1, a system controller can place the rest of the system to sleep (such as the Class D amplifier stage, etc). Upon S/PDIF lock, or an ADC input that is above the preset threshold, the controller can wake up and wake up the rest of the system.

In most implementations, it is suggested that as the system goes into standby, only INT1 be used for the ADC level detect function. (that is, mask all other INT1 sources). In addition, it is recommended that this function be implemented one second after startup, in order to allow the internal high-pass filter to settle.

Using such a system allows auto-shutdown, provided that the source moves into its own standby mode (for example, a TV or a set-top box).

Digital Audio Interface Receiver (RXIN0 to RXIN11)

Input Details for Pins RXIN0 Through RXIN11

Up to 12 single-ended S/PDIF input pins are available. Two of the S/PDIF input pins integrate coaxial amplifiers. The other 10 pins are designed to be directly connected to CMOS sources or standard S/PDIF optical modules. Each of the inputs can tolerate 5-V inputs.

The DIR module in the PCM9211 complies with these Digital Audio I/F standards:

- S/PDIF
- IEC60958 (formerly IEC958)
- JEITA CPR-1205 (formerly EIAJ CP-1201/340)
- AES3
- EBU Tech 3250 (also known as AES/EBU)

In addition, the DIR module within the PCM9211 also meets and exceeds jitter tolerance limits as specified by IEC60958-3 for sampling frequencies between 28 kHz and 216 kHz.

Each of the physical connections used for these standards (optical, differential, and single-ended) have different signal levels. Care should be taken to ensure that each of the RXIN pins is not overdriven or underdriven, such as driving a coaxial 0.2-V_{PP} signal into a CMOS 3.3-V input.

RXIN0 and RXIN1 integrate coaxial input amplifiers. This architecture means that they can be directly connected to either coaxial input (or RCA/Phono) S/PDIF sources. They can accept a minimum of 0.2V_{PP}. They can also be connected to maximum 5-V TTL sources, such as optical receivers. (**NOTE:** Consideration should be made for electrostatic discharge, or ESD, on the input connectors.)

RXIN2 to RXIN11 are 5-V tolerant TTL level inputs. These inputs are typically used as connections to optical receiver modules (known as TOSLINK™ connectors).

RXIN8 through RXIN11 are also part of the MPIO_A (Multipurpose Input/Output A) group. These I/O pins can either be set as S/PDIF inputs, or reassigned to other functions (see the [MPIO](#) section). To configure MPIO_A as S/PDIF inputs, set Register MPASEL[1:0] to '00'.

Typically, no additional components are required to connect an optical receiver to any RXIN pin. However, consideration should be given to the output characteristics of the specific receiver modules used, especially if there is a long printed circuit board (PCB) trace between the receiver and the PCM9211 itself.

For differential inputs (such as the AES/EBU standard), differential to single-ended circuitry is required.

PLL Clock Source (Built-in PLL and VCO) Details

The PCM9211 has an on-chip PLL (including a voltage-controlled oscillator, or VCO) for recovering the clock from the S/PDIF input signal.

The VCO-derived clock is identified as the PLL clock source.

When locked, the onboard PLL generates a system clock that synchronizes with the input biphasic signal. When unlocked, the PLL generates its own free-run clock (from the VCO).

The generated system clocks from the PLL can be set to fixed multiples of the input S/PDIF frequency. Register 30h/PSCK[2:0] can configure the output clock to $128f_s$, $256f_s$ or $512f_s$.

The PCM9211 also has an automatic default output rate that is calculated based on the incoming S/PDIF frequency. This calculation and rate are controlled by Register 30h/PSCKAUTO. In its default mode, the SCK dividing ratio is configured according to these parameters:

- $512f_s$: 54 kHz and below.
- $256f_s$: 54 kHz to 108 kHz
- $128f_s$: 108 kHz and above (or unlocked)

PSCKAUTO takes priority over any settings in PSCK[2:0]. PSCK[2:0] only becomes relevant in the system when the PSCKAUTO Register is set to '0'.

The PCM9211 can decode S/PDIF input signals between sampling frequencies of 7 kHz and 216 kHz for all PSCK[2:0] settings. The relationship between the output clock (SCKO, BCKO, LRCKO) at the PLL source and PSCK[2:0] selection is shown in [Table 4](#).

Table 4. SCKO, BCKO and LRCKO Frequency Set by PSCK[2:0]

OUTPUT CLOCK AT PLL SOURCE			PSCK[2:0] SETTING		
SCKO	BCKO	LRCKO	PSCK2	PSCK1	PSCK0
$128f_s$	$64f_s$	f_s	0	0	0
$256f_s$	$64f_s$	f_s	0	1	0
$512f_s$ ⁽¹⁾	$64f_s$	f_s	1	0	0

(1) $512f_s$ SCK is only supported at 108 kHz or lower sampling frequency of incoming biphasic signal.

In PLL mode, the output clocks (SCKO, BCKO, LRCKO) are generated from the PLL source clock.

The relationship between the sampling frequencies (f_s) of the input S/PDIF signal and the frequency of LRCKO, BCKO, and SCKO are shown in [Table 5](#).

Table 5. Output Clock Frequency at PLL Lock State

LRCK	BCK	SCK (Depends on PSCK[2:0] Setting)		
		f_s	$64f_s$	$128f_s$
8 kHz	0.512 MHz	1.024 MHz	2.048 MHz	4.096 MHz
11.025 kHz	0.7056 MHz	1.4112 MHz	2.8224 MHz	5.6448 MHz
12 kHz	0.768 MHz	1.536 MHz	3.072 MHz	6.144 MHz
16 kHz	1.024 MHz	2.048 MHz	4.096 MHz	8.192 MHz
22.05 kHz	1.4112 MHz	2.8224 MHz	5.6448 MHz	11.2896 MHz
24 kHz	1.536 MHz	3.072 MHz	6.144 MHz	12.288 MHz
32 kHz	2.048 MHz	4.096 MHz	8.192 MHz	16.384 MHz
44.1 kHz	2.8224 MHz	5.6448 MHz	11.2896 MHz	22.5792 MHz
48 kHz	3.072 MHz	6.144 MHz	12.288 MHz	24.576 MHz
64 kHz	4.096 MHz	8.192 MHz	16.384 MHz	32.768 MHz
88.2 kHz	5.6448 MHz	11.2896 MHz	22.5792 MHz	45.1584 MHz
96 kHz	6.144 MHz	12.288 MHz	24.576 MHz	49.152 MHz
128 kHz	8.192 MHz	16.384 MHz	32.768 MHz	N/A
176.4 kHz	11.2896 MHz	22.5792 MHz	45.1584 MHz	N/A
192 kHz	12.288 MHz	24.576 MHz	49.152 MHz	N/A

DIR and PLL Loop Filter Details

The PCM9211 incorporates a PLL for generating clocks synchronized with the input biphasic signal (S/PDIF). The onboard PLL requires an external loop filter. The components and configuration shown in [Figure 20](#) and [Table 6](#) are recommended for optimal performance, with these considerations:

- The resistor and capacitors that configure the filter should be located and routed as close as possible to the PCM9211. The external loop filter must be placed on the FILT pins.
- The GND node of the external loop filter must be directly connected with AGND pin of the PCM9211; it must be not combined with other signals.

[Figure 20](#) shows the configuration of the external loop filter and the connection with the PCM9211.

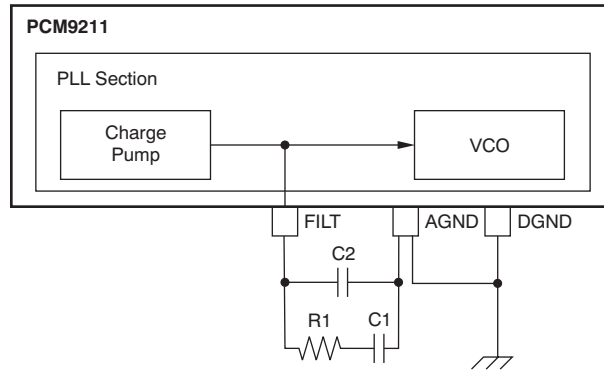


Figure 20. Loop Filter Connection

The recommended value of loop filter components is shown in [Table 6](#).

Table 6. Recommended Value of Loop Filter Components

REF. NO.	RECOMMENDED VALUE	TYPE	TOLERANCE
R ₁	680 Ω	Metal film or carbon	≤ 5%
C ₁	0.068 μF	Film or ceramic (CH or C0G)	≤ 5%
C ₂	0.0047 μF	Film or ceramic (CH or C0G)	≤ 5%

External (XTI) Clocks, Oscillators, and Supporting Circuitry

An external clock source (CMOS or crystal/resonator) is known as the *XTI source*. The XTI source can be either a CMOS logic source, or a crystal resonator (internal circuitry in the PCM9211 can start the crystal resonating). Whichever clock source is used, it must be 24.576 MHz.

The PCM9211 uses the XTI source as a reference clock in order to calculate the sampling frequency of the incoming S/PDIF stream. It is also used as the clock source in XTI clock source mode.

When using a resonator as an XTI source, the following points should be considered:

- The 24.576-MHz resonator should be connected between the XTI and XTO pins
- The resonator should be a fundamental mode type
- A crystal or ceramic resonator can be used as the XTI source
- The values of the load capacitors C_{L1} and C_{L2} and the current limiting resistor R_d all depend on the characteristics of the resonator
- No external feedback resistor between the XTI and XTO pins is required, because the resistor is integrated into the device
- No loads other than the resonator should be used on the XTO pin

When using an external oscillation circuit with a CMOS output, the following points should be considered:

- Always supply a 24.576-MHz clock on the XTI pin
- Only 3.3 V is supported on the XTI pin; 5 V is not supported
- XTO should be left floating

Figure 21 illustrates the connections for the XTI and XTO pins for both a resonator connection and an external clock input connection.

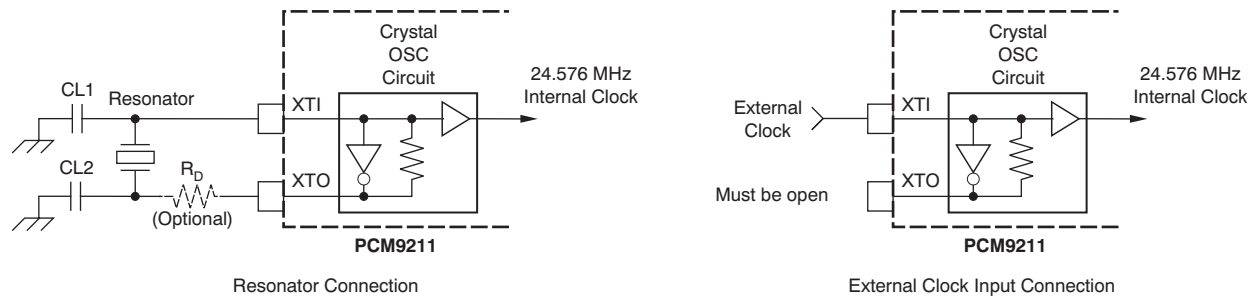


Figure 21. XTI and XTO Connection Diagram

In XTI mode, the output clocks (SCKO, BCKO, and LRCKO) are generated from the XTI source clock.

Register 24h/OSCAUTO controls whether or not the internal oscillator functions while it is not required. When using the DIR as a clock source, the XTI source is not required; thus, the internal oscillator can be switched off. There is a constraint, however, that when the DIR wide mode is being set (for example, in 192-kHz support), the XTI is always used. The sampling frequency calculator also requires the XTI source.

XMCKO (the XTI clock buffered output) provides a buffered (and divided) XTI clock that can be output to MPIO_A. Register 24h/XMCKEN controls whether the XMCKO should be muted or not, and Register 24h/XMCKDIV controls the division factor.

DIR Data Description

Decoded Serial Audio Data Output and Interface Format

The PCM9211 supports the following four data formats for the decoded data:

- 16-bit MSB First, Right-Justified
- 24-bit MSB First, Right-Justified
- 24-bit MSB First, Left-Justified
- 24-bit MSB First, I²S

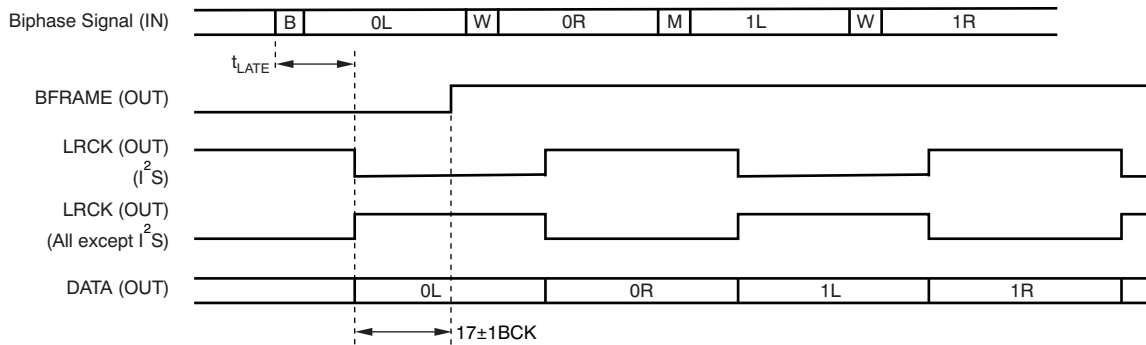
Decoded data are MSB first and twos complement in all formats.

The format of the decoded data is selected by the RXFMT[2:0] register. The possible data formats are shown in Table 7.

Table 7. DIR Serial Audio Data Output Format Set by RXFMT[2:0]

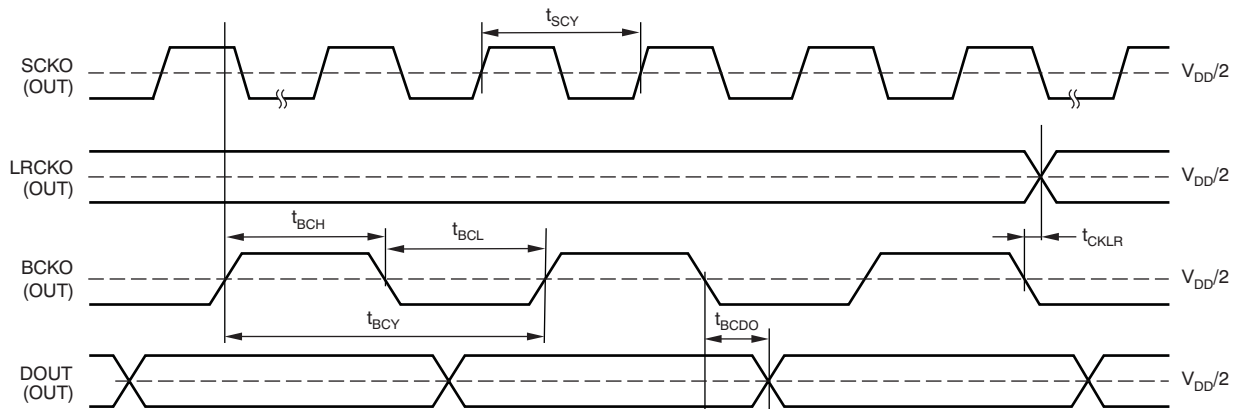
DIR SERIAL AUDIO DATA OUTPUT FORMAT	RXFMT[2:0] SETTING		
	RXFMT2	RXFMT1	RXFMT0
24-bit MSB First, Right-Justified	0	0	0
16-bit MSB First, Right-Justified	0	1	1
24-bit MSB First, I ² S (Default)	1	0	0
24-bit MSB First, Left-Justified	1	0	1

Figure 22 shows the latency time between the input biphasic signal and LRCKO/DOUT. Figure 23 illustrates the DIR decoded audio data output timing.



SYMBOL	DESCRIPTION	MIN	TYP	MAX	UNITS
t_{LATE}	LRCKO/DOUT latency		$4/f_s$		s

Figure 22. Latency Time Between Input Biphasic and LRCKO/DOUT



SYMBOL	DESCRIPTION	MIN	TYP	MAX	UNITS
t_{SCY}	System clock pulse cycle time	18			ns
t_{CKLR}	Delay time of BCKO falling edge to LRCKO valid	-10		10	ns
t_{BCY}	BCKO pulse cycle time		$1/64f_s$		s
t_{BCH}	BCKO pulse width high	60			ns
t_{BCL}	BCKO pulse width low	60			ns
t_{BCDO}	Delay time of BCKO falling edge to DOUT valid	-10		10	ns
t_R	Rising time of all signals		5		ns
t_F	Falling time of all signals		5		ns

NOTE: Load capacitance of LRCKO, BCKO, and DOUT pin is 20 pF. DOUT, LRCKO, and BCKO are synchronized with SCKO.

Figure 23. DIR Decoded Audio Data Output Timing

Channel Status Data, User Data, and Validity Flag

The PCM9211 can output decoded channel status data, user data, and a validity flag synchronized with audio data from the input S/PDIF signal. These signals can be transmitted from any of the three MPIOs (MPIO_A, MPIO_B, or MPIO_C). To assign this function to the MPIOs, see the [MPIO](#) section.

Each type of output data has own dedicated output pin:

- Channel status data (**C**) are output through MPIOs assigned as COUT.
- User data (**U**) are output through MPIOs assigned as UOUT.
- Validity flag (**V**) is output through MPIOs assigned as VOUT
- Data (left and right) are identified as DOUT.

C, U, and V output data are synchronized with the recovered LRCKO (left-right clock output) from the S/PDIF input signal.

The polarity of the recovered LRCKO from the S/PDIF input depends on the Register 2Fh/RXFMT[2:0] setting.

The beginning of each S/PDIF frame (BFRAME) is provided as one of the outputs on the MPIO. It can be used to indicate the start of the frame to the decoding DSP. If the DIR decodes a start-of-frame preamble on the decoded data, then it sets BFRAME high for 8xLRCK periods to signify the start of the frame.

LRCKO can be used as a reference clock for each of the data outputs, BFRAME, DOUT, COUT, UOUT, and VOUT. The relationship between each output is shown in [Figure 24](#).

Numbers 0 to 191 of DOUT, COUT, UOUT, and VOUT in [Figure 24](#) indicate the frame number of the input biphase signal.

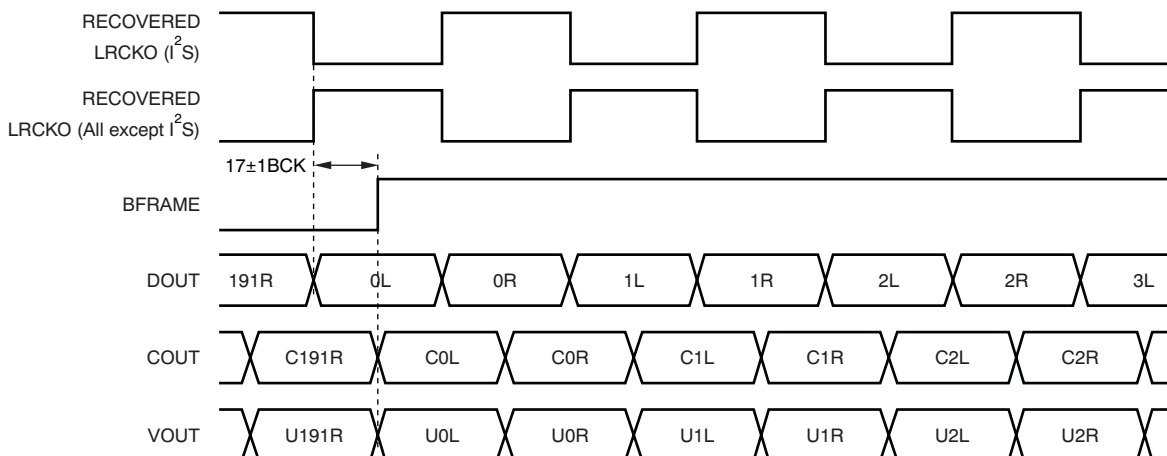


Figure 24. LRCKO, DOUT, BFRAME, COUT, UOUT, and VOUT Output Timing

The RXVDLY Register in Register 22h controls when the VOUT pin goes high (either immediately, or at the start of the sample/frame). [Figure 25](#) shows these timing sequences.

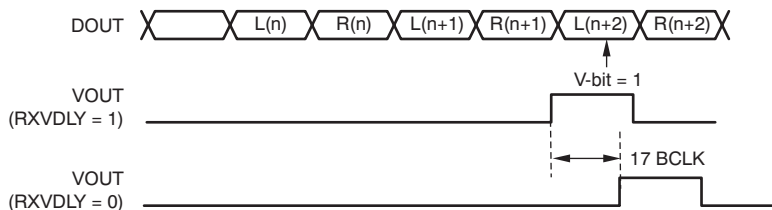


Figure 25. RXVDLY and VOUT Timing

DIR: Parity Error Processing

Error detection and processing for parity errors behave in the following manner:

- For PCM data, when an error is detected (for example, a parity error), then the data from the previous sample are repeated. This sequence is shown in Figure 26, where sample L_{n+1} is repeated because the incoming data (L_{n+2}) had an error.
- For non-PCM data, the data are output as is with no changes. (Non-PCM data implies data which has Channel Status bit 1 = '1'.)

Figure 26 shows the processing for parity error occurrence.

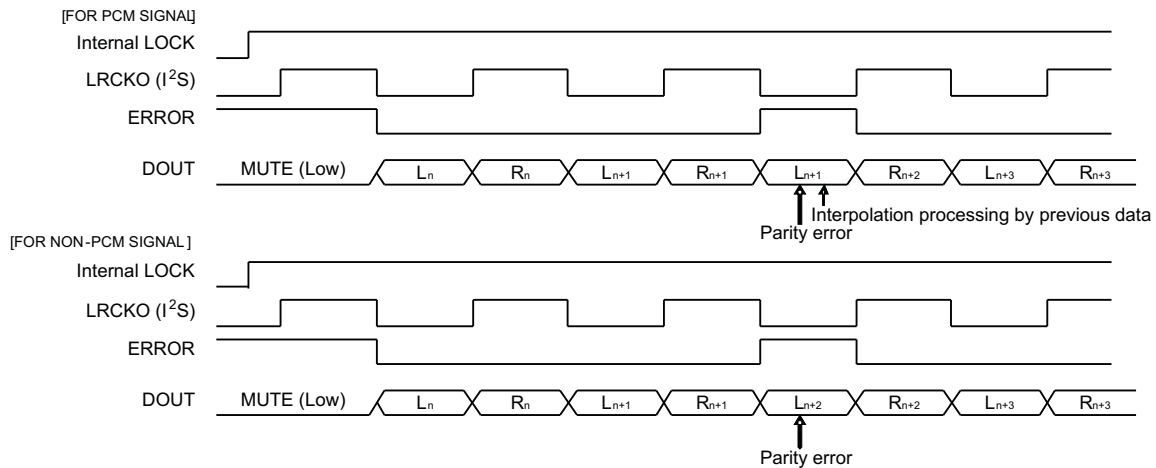


Figure 26. Processing for Parity Error Occurrence

The PCM9211 handles parity errors as directed by the 23h/PRTPRO[1:0] registers.

When set to '01', if the error is received eight times sequentially, the DIR output is muted on the next error. Until the mute is enabled, the previously *accurate* sample is repeated. This function is only valid for PCM data.

When set to '10', the device behaves in exactly the same way as it does when set to '01'. However, this function is enabled for both PCM and non-PCM data.

When set to '00', the device ignores parity errors and continues to output whatever data comes into the device.

The setting on '11' is reserved.

DIR: Errors and Interrupts

The PCM9211 has two pins that are used to inform the system DSP or controller that there is an error, or an interrupt that it should be aware of.

The ERR/INT0 and NPCM/INT1 pins can be configured in these ways:

HARDWARE PIN	OPTIONS
ERR/INT00	DIR Error (default), INT0 or Hi-Z
NPCM/INT1	DIR NPCM (default), INT1 or Hi-Z

When configured as direct DIR error connections (ERR, NPCM), the system audio processor typically treats them as dedicated interrupt pins to change or control audio processing software. An example would be that the system may mute if an ERR signal is detected. Another example is that if the DSP receives an NPCM interrupt, it begins looking for AC-3 or DTS preambles in the incoming encoded S/PDIF stream.

For more advanced users, the two pins can be set up as interrupt sources. The seven interrupt sources (ERROR, NPCM, DTS-CD/LD, Emphasis, Channel Status Start, Burst Preamble Start, f_s Calculator Complete) can be masked into Registers INT0 and INT1.

Upon receipt of an interrupt source (such as f_s Calculator Complete), INT0 or INT1 performs a bitwise evaluation of AND (&) with an inverted mask [Register 2Ah (INT0) and Register 2Bh (INT1)], then perform an eight-way OR of the data. If the output is '1', then INTx is set to '1', which can be used to trigger an interrupt in the host DSP. The host can then poll the INTx register to determine the interrupt source. Figure 27 shows the logic that the device uses to mask the DIR interrupts from the INTx register.

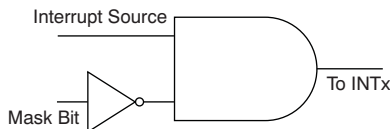


Figure 27. DIR Interrupt Mask Logic

Once the register is read, each of the bits in the register (INT0 and INT1) are cleared. If the signal is routed to ERR/INT0 or NPCM/INT1, the output pin is also cleared.

By default, the mask registers are set to mask all inputs; that is, all inputs are rejected, in which case no interrupt can be seen on the output until the mask is changed.

A block diagram for the error output and interrupt output is shown in Figure 28.

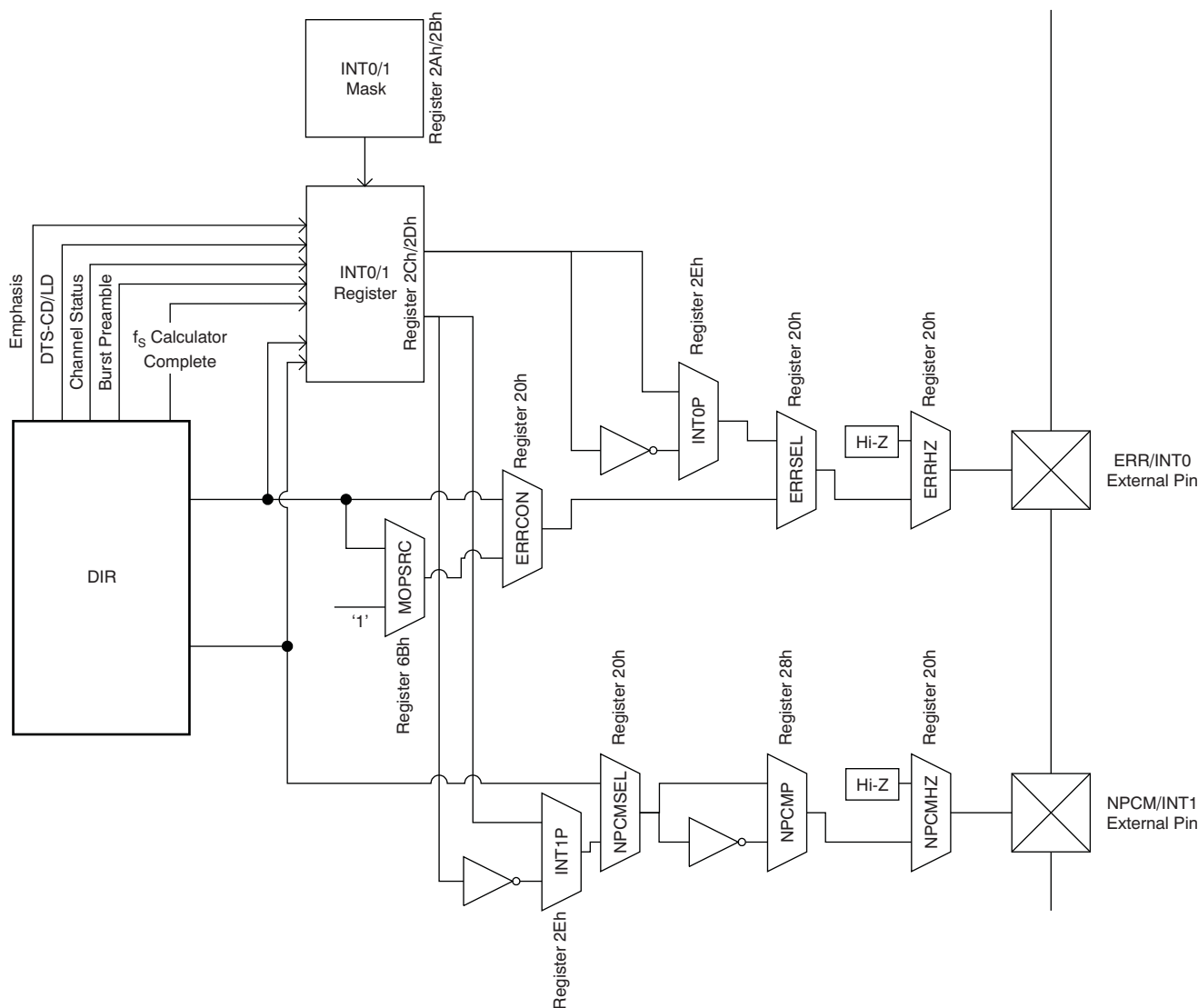


Figure 28. Error Output and Interrupt Output Block Diagram

There are several allowable error sources from the DIR:

- Change of incoming S/PDIF sample frequency (Register 25h / EFSCHG)
- *Out-of-range* incoming S/PDIF signal (Register 25h / EFSLMT)
- Non-PCM data (Register 25h / ENPCM)
- Data invalid flag is the stream (Validity bit = '1') (Register 25h / EVALID)
- Parity error (Register 25h / EPARITY)
- PLL unlock (default) (Register 25h / EUNLOCK)

The error sources can be selected using Register 25h.

There are also several interrupts within the device that can be masked:

- Error in DIR (this error is selectable from the list above in Register 25h)
- When the device detects non-PCM data
- When the Emphasis flag in the channel status of the incoming data has been set
- When DTS-CD data have been detected by the device
- When the Channel Status (CS) is updated
- When Burst Preamble (P_C) is updated
- When the sampling frequency is changed.
- When the analog input crosses the Analog Input Detect level (available only on INT1).

Each interrupt source can be masked by Register 2Ah (INT0) and Register 2Bh (INT1).

DIR: Sampling Frequency Calculator for Incoming S/PDIF Inputs

The PCM9211 has two integrated sampling frequency calculators. The first calculator is always connected to the output of the DIR. It calculates the actual sampling frequency of the incoming S/PDIF signal. The result can be read from a register, or output through the MPIO pins. Note that this process is not the same as reading the Channel Status value for the sample rate that the transmitting equipment may be sending.

To use this function, a 24.576-MHz clock source must be supplied to the XTI pin. The 24.576-MHz clock is used as a reference clock to calculate the incoming S/PDIF sampling frequency. If the XTI pin is connected to DGND, the function is disabled and the calculation is not performed. If there is an error in the XTI clock frequency, the calculation result and range will be incorrect.

The result is decoded into 4-bit data and stored in Register 39h/SFSOUT[3:0]; the MPIO pins are then assigned to the SFSOUT[3:0] function.

The data in the SFSOUT[3:0] register (and available as a signal for the MPIO section) are the calculated sampling frequency based on the incoming S/PDIF stream, and not what is reported in Channel Status bits 24 to 27. If the PLL becomes unlocked, or attempts to run out of range, SFSOUT[3:0] = '0000' is output, and indicates abnormal operation.

If the XTI source clock is not supplied before the PCM9211 powers up, SFSOUT [3:0] outputs '0000'. If the XTI source clock is stopped, the f_s calculator holds its most recent calculated result. Once the XTI source clock is restored, the f_s calculator resumes operation.

Register 39h/SFSST indicates the calculator status. Before reading SFSOUT[3:0], it is recommended that the user verify that the SFSST status is '0'.

The relationship between SFSOUT[3:0] outputs and the range of sampling frequency f_s is shown in [Table 8](#).

Table 8. Calculated Biphase Sampling Frequency Output

NOMINAL f_s	ACTUAL SAMPLING FREQUENCY RANGE	CALCULATED SAMPLING FREQUENCY OUTPUT ⁽¹⁾			
		SFSOUT3	SFSOUT2	SFSOUT1	SFSOUT0
Out of range	Out of range	0	0	0	0
8 kHz	7.84 kHz to 8.16 kHz	0	0	0	1
11.025 kHz	10.8045 kHz to 11.2455 kHz	0	0	1	0
12 kHz	11.76 kHz to 12.24 kHz	0	0	1	1
16 kHz	15.68 kHz to 16.32 kHz	0	1	0	0
22.05 kHz	21.609 kHz to 22.491 kHz	0	1	0	1
24 kHz	23.52 kHz to 24.48 kHz	0	1	1	0
32 kHz	31.36 kHz to 32.64 kHz	0	1	1	1
44.1 kHz	43.218 kHz to 44.982 kHz	1	0	0	0
48 kHz	47.04 kHz to 48.96 kHz	1	0	0	1
64 kHz	62.72 kHz to 65.28 kHz	1	0	1	0
88.2 kHz	86.436 kHz to 89.964 kHz	1	0	1	1
96 kHz	94.08 kHz to 97.92 kHz	1	1	0	0
128 kHz	125.44 kHz to 130.56 kHz	1	1	0	1
176.4 kHz	172.872 kHz to 179.928 kHz	1	1	1	0
192 kHz	188.16 kHz to 195.84 kHz	1	1	1	1

(1) The flag SFSOUT[3:0] is output from the register and MPIOs are assigned as SFSOUT[3:0].
 '0' or '1' indicates the register output data. The symbol 'H' or 'L' refers to the MPIO output electrical signal.

The Biphase Sampling Frequency Calculator is also used for restricting the type of data that can be received.

1. If Register 27h/MSK128 is set to '1', the PCM9211 does not accept 128-kHz sampling frequency data
2. If Register 27h/MSK64 is set to '1', the PCM9211 does not accept 64-kHz sampling frequency data.
3. If Register 27h/NOMLMT is set to '1', the PCM9211 only accepts the nominal audio sampling frequency within $\pm 2\%$. The nominal audio sampling frequencies are 8 kHz, 11.025 kHz, 12 kHz, 16 kHz, 22.05 kHz, 24 kHz, 32 kHz, 44.1 kHz, 48 kHz, 64 kHz, 88.2 kHz, 96 kHz, 128 kHz, 176.4 kHz, and 192 kHz.
4. For Register 27h/HILMT[1:0] and Register 27h/LOLMT[1:0]: These registers are used for setting a higher or lower limit to the acceptable sampling frequency.

Register 21h/RXFSRNG is used for global control of the acceptable sampling frequencies. If normal mode is selected, the range of acceptable sampling frequency is restricted from 28 kHz to 108 kHz. If wide mode is selected, the range is from 7 kHz to 216 kHz.

DIR: Audio Port Sampling Frequency Calculator

The second sampling frequency calculator can be used to calculate the sampling frequency of DIR, ADC, AUXIN0, AUXIN1, AUXIN2, Main Output Port, AUX Output Port, and DIT Input. Figure 29 illustrates the sampling frequency calculator sources.

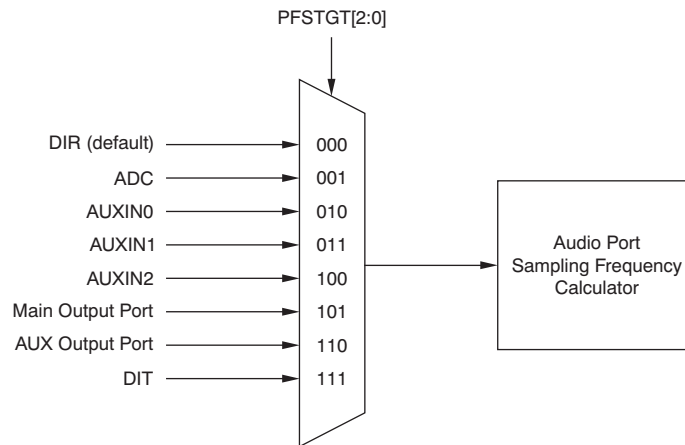


Figure 29. Sampling Frequency Calculator Sources

The calculated sampling frequency f_s is decoded to 4-bit data and stored in the PFSOUT[3:0] register. The input source of this counter is selectable from AUXIN0, AUXIN1, AUXIN2, DIR, ADC, Main Output Port, AUX Output Port, and DIT by using the Register 37h/PFSTGT[3:0].

To use this function, a 24.576-MHz clock source must be supplied to the XTI pin. The 24.576-MHz clock is used as a reference clock. If the XTI pin is connected to DGND, the calculation is not performed. If there is an error in the XTI clock frequency, the calculation result and range will be incorrect.

Register 38h/PFSST indicates the calculator status. It is recommended that PFSST is checked (for *complete* status) before reading PFSOUT[3:0].

OUTPUT REGISTER CONSTRUCTION

The output 8-bit register is subdivided into three sections. The first four bits show the decoded result. The next three bits signify the source; the final bit signifies the calculator status (finished or not).

The lock range of the counter (to the specified f_s given in [Table 9](#)) are any clock rate within $\pm 2\%$. The relation between the nominal f_s and actual measured f_s range is shown in [Table 9](#).

Table 9. Calculated Port Sampling Frequency Output

NOMINAL f_s	ACTUAL SAMPLING FREQUENCY RANGE (MIN)	CALCULATED SAMPLING FREQUENCY OUTPUT			
		PFSOUT3	PFSOUT2	PFSOUT1	PFSOUT0
Out of range	Out of range	0	0	0	0
8 kHz	7.84 kHz to 8.16 kHz	0	0	0	1
11.025 kHz	10.8045 kHz to 11.2455 kHz	0	0	1	0
12 kHz	11.76 kHz to 12.24 kHz	0	0	1	1
16 kHz	15.68 kHz to 16.32 kHz	0	1	0	0
22.05 kHz	21.609 kHz to 22.491 kHz	0	1	0	1
24 kHz	23.52 kHz to 24.48 kHz	0	1	1	0
32 kHz	31.36 kHz to 32.64 kHz	0	1	1	1
44.1 kHz	43.218 kHz to 44.982 kHz	1	0	0	0
48 kHz	47.04 kHz to 48.96 kHz	1	0	0	1
64 kHz	62.72 kHz to 65.28 kHz	1	0	1	0
88.2 kHz	86.436 kHz to 89.964 kHz	1	0	1	1
96 kHz	94.08 kHz to 97.92 kHz	1	1	0	0
128 kHz	125.44 kHz to 130.56 kHz	1	1	0	1
176.4 kHz	172.872 kHz to 179.928 kHz	1	1	1	0
192 kHz	188.16 kHz to 195.84 kHz	1	1	1	1

DIR: Auto Source Selector for Main Output and AUX Output

The AUTO source selector is an automatic system that selects the DIR or ADC output based on specific DIR conditions set by Register 26h. The AUTO source selector is integrated in both the Main Port and the AUX output separately.

The typical behavior for the AUTO source selector is shown in Figure 30. This example is the default register setting for Register 26h. In this case, only Register 26h/AUNLOCK is selected.

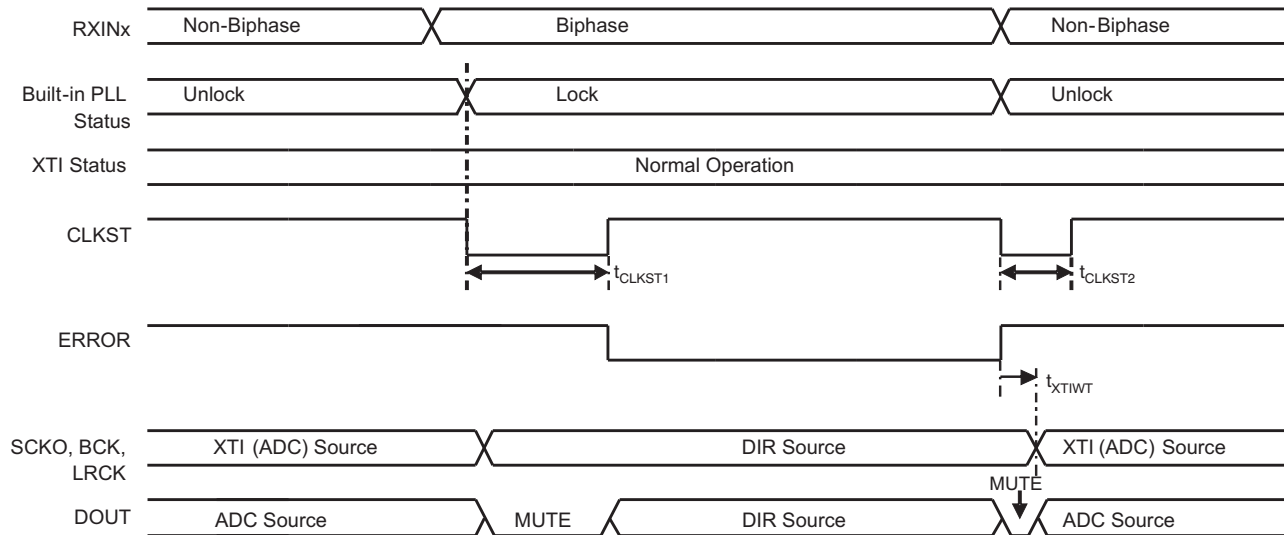


Figure 30. Typical Behavior for AUTO Source Selector

When the DIR is unlocked, the ADC output is automatically routed to the Main Output Port.

Polarity of the CLKST signal is configured by Register 22h/CLKSTP. The default is active low, which means that clock source either changes from DIR to ADC, or from ADC to DIR.

If the DIR is locked, then the DIR output is routed to the Main Output Port automatically after t_{CLKST1} . During that period, the output port is muted. t_{CLKST1} can be configured using Register 23h/ERRWT[1:0]. t_{CLKST2} is 50 ms, providing that an XTI clock of 24.576 MHz is applied.

If the DIR loses its lock a subsequent time, the ADC output is routed to the Main Output Port automatically after t_{XTIWT} . Once again, the output port is muted during this time. t_{XTIWT} can be configured using Register 23h/XTIWT[1:0].

The auto source selector can be triggered by the following changes in the DIR (Register 26h is used to select which variable to use as the trigger):

- DIR error (discussed earlier in [DIR: Errors and Interrupts](#); configured by Register 25h)
- Out-of-range sampling frequency
- Non-PCM data
- When the Validity flag in the S/PDIF stream is '1'
- When the PLL is unlocked (default)

Figure 31 shows the Clock Tree Diagram for the AUTO source selector.

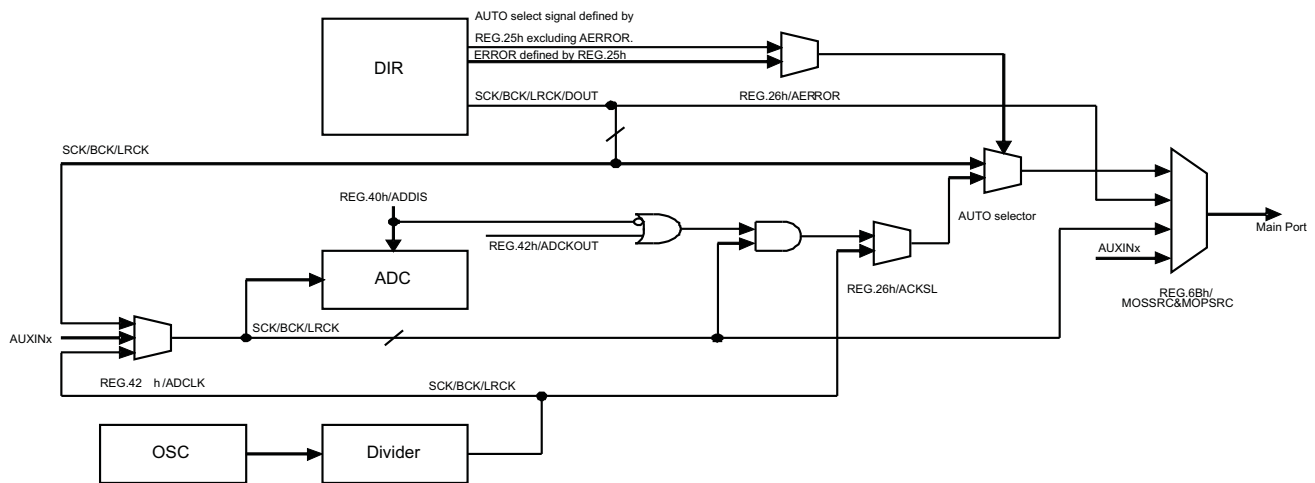


Figure 31. Clock Tree Diagram for AUTO Source Selector

Non-PCM Data Detection

The PCM9211 can also detect Non-PCM data (AC-3, DTS-CD, etc.) using one of these two methods:

1. Channel Status Bit 1 is '1'.

If Register 28h/CSBIT is set to '1', this function is enabled. Register 39h/SCSBIT1 always indicates Channel Status Bit 1 status even if CSBIT1 is disabled.

2. A Burst Preamble (P_A/P_B) is found in the S/PDIF stream.

If Register 28h/PAPB or Register 28h/DTSCD is set to '1', this function is enabled. If DTS-CD detection is active, it uses DTSCD, and can also be set in Register 29h/DTS16, 29h/DTS14, and Register 29h/DTS16[1:0].

If the PCM9211 detects a Burst Preamble when Non-PCM detection is enabled, an error signal and BPSYNC signal are generated. The BPSYNC signal can be monitored through MPIO_A/MPIO_B/MPIO_C. For more details, see the MPIO section of this document. The error signal can be monitored from either the ERR_INT0 pin or the NPCM_INT1 pin.

P_C/P_D Monitor

The PCM9211 has a P_C and P_D buffer for monitoring the latest P_C or P_D . Registers 3Ah and 3Bh are assigned for the P_C buffer; Registers 3Ch and 3Dh are assigned for the P_D buffer.

The following sequence is an example of reading P_C/P_D buffers. This example is based on using the INT0 function.

1. Set Register 2Ah/MPCRNW0 to '0'.
2. Check that Register 2Ch/OPCRNW0 is '1'.
3. Read the P_C and P_D buffers.

Digital Audio Interface Transmitter

Overview

The PCM9211 has an onboard Digital Audio Interface Transmitter (DIT) that transmits S/PDIF data from 7 kHz to 216 kHz, up to 24-bit audio data. The first 48 bits of the channel status buffer are programmable. The source for the DIT is selectable from the built-in routing function of the PCM9211 as well as the dedicated inputs assigned to the MPIOs.

Selection OF DIT Input Source

Selection of the DIT audio and clock sources is done using the Registers 60h/TXSSRC[2:0] and 60h/TXPSRC[2:0]. The system clock source for the DIT is selected using the Register 60h/TXSSRC[2:0]. The PCM audio data source for the DIT (BCK, LRCK, and Data) is selected using the Register 60h/TXPSRC[2:0].

The DIT can also be operated in a standalone mode. In standalone mode, the data source is provided through MPIO_C. See the [DIT Stand-Alone](#) section for more details.

DIT Output Biphase

The S/PDIF-encoded signal generated by the DIT module is available through the MPO0 and MPO1 pins. The MPO selection registers (Register 78h/MPOxSEL[3:0]) can be set to '1101' to determine the DIT output through one of these two pins.

In addition to the standard MPOx pins, the DIT output can also be multiplexed to the RECOUT pin, or back into the DIR. An example of where this multiplexing might occur is in a jitter cleaner application. The DIR in the PCM9211 has excellent jitter reduction. Data can be brought in from an auxiliary source, transmitted through the DIT internally, then routed to the DIR. This process, in turn, cleans the clocks and provides a stable, well-clocked PCM source. This feature is especially useful for jittery sources, such as HDMI.

Audio Data and Clock

The DIT can accept a $128f_s$, $256f_s$, or $512f_s$ system clock. The clock ratio selection is set by using the Register TXSCK[2:0]. A 216-kHz sampling frequency is supported by using the $128f_s$ or $256f_s$ system clock ratio. A 108-kHz sampling frequency can be supported up to a $512f_s$ clock ratio.

I^2S , 24-bit left-justified, 24-bit right-justified, and 16-bit right-justified serial audio interface formats can be used. Only slave mode is supported. [Table 10](#) shows the relationship between typical audio sampling frequencies and the respective BCK and SCK frequencies

Table 10. Typical Audio Sampling, BCK, and SCK Frequencies

LRCK	BCK	SCK		
		f_s	$64f_s$	$512f_s$
8 kHz	0.512 MHz	1.024MHz	2.048 MHz	4.096 MHz
11.025 kHz	0.7056 MHz	1.4112 MHz	2.8224 MHz	5.6448 MHz
12 kHz	0.768 MHz	1.536 MHz	3.072 MHz	6.144 MHz
16 kHz	1.024 MHz	2.048 MHz	4.096 MHz	8.192 MHz
22.05 kHz	1.4112 MHz	2.8224 MHz	5.6448 MHz	11.2896 MHz
24 kHz	1.536 MHz	3.072 MHz	6.144 MHz	12.288 MHz
32 kHz	2.048 MHz	4.096 MHz	8.192 MHz	16.384 MHz
44.1 kHz	2.8224 MHz	5.6448 MHz	11.2896 MHz	22.5792 MHz
48 kHz	3.072 MHz	6.144 MHz	12.288 MHz	24.576 MHz
64 kHz	4.096 MHz	8.192 MHz	16.384 MHz	32.768 MHz
88.2 kHz	5.6448 MHz	11.2896 MHz	22.5792 MHz	45.1584 MHz
96 kHz	6.144 MHz	12.288 MHz	24.576 MHz	49.152 MHz
128 kHz	8.192 MHz	16.384 MHz	32.768 MHz	N/A
176.4 kHz	11.2896 MHz	22.5792 MHz	45.1584 MHz	N/A
192 kHz	12.288 MHz	24.576 MHz	49.152 MHz	N/A

Data Mute Function

The PCM9211 has the ability to mute the audio data on its DIT output. This option is set using Register 62h/TXDMUT. During a mute state (TXDMUT = '1'), the biphase stream continues to flow, but all audio data are zeroed.

The channel status data and validity flag are not zeroed. Mute is done at the LRCK edge for both L-ch and R-ch data at the same time.

Channel Status Data

The DIT has the ability to transmit channel status (CS) data for the first 48 bits of the 128-bit stream. These 48 bits cover the standards for both S/PDIF and AES/EBU. These bits are set in Registers TXCS0 through TXCS47. These values are used on both the Left and Right channels of the output stream.

Upon reset, these registers are all '0' by default.

User Data

This DIT does not have the ability to transmit custom user data (known as "U Bits" in the stream).

Validity Flag

Setting the valid flag is possible in the DIT by using Register 62h/TXVFLG. The same value is used for both left and right channels.

Standalone Operation

Standalone operation for the DIT module is provided by supplying external clocks and data (SCK, BCK, LRCK, and Data). In standalone mode, the audio and clock data must be brought into the device through MPIO_C. To enable standalone mode, set Register 6Fh/MPCSEL[2:0] to '101'. This configuration then bypasses the standard DIT connections through the device and connects them directly to MPIO_C.

Channel Status and Validity flags continue to be sourced from the same registers as they would during normal DIT operation.

MPIO Description

Overview

The PCM9211 offers significant flexibility through its MPIO pins. Depending on the system partitioning of the specific end product, the pins can be reconfigured to offer various I/Os that complement the design.

There are 14 flexible pins: 12 are Input/Output pins, and two pins that are output only.

The 12 multi-purpose I/O (MPIO) pins are grouped into three banks, each with four pins: MPIO_A, MPIO_B, and MPIO_C.

The two multi-purpose outputs (MPO) pins are assigned as MPO0 and MPO1.

Assignable Signals for MPIO Pins

The PCM9211 has the following signals that can be brought out to MPIOs. Not all MPIOs are equal; be sure to review subsequent sections in this document to see which signals can be brought out to which MPIO. The possible signals are summarized in [Table 11](#).

Table 11. Allowable MPIO Signals

MODULE	ALLOWABLE SIGNALS
DIR	Extended biphasic input pins for DIR: RXIN8/RXIN9/RXIN10/RXIN11
	DIR Flags Output: The details of each signal are described in the Flag section.
	DIR Interrupt Output: INT0 and INT1
	DIR, B frame, serial output of channel status, user data, validity flag
	DIR, decoded result of sampling frequency calculated by built-in f_s counter
Auxiliary I/O	AUXIN0, external serial audio data input (SCK/BCK/LRCK/Data)
	AUXIN1, external serial audio data input (SCK/BCK/LRCK/Data)
	AUXIN2, external serial audio data input (SCK/BCK/LRCK/Data)
	AUXOUT, external serial audio data output (SCK/BCK/LRCK/Data)
ADC	Serial audio data output for ADC Standalone Operation
DIT	Serial audio data input for DIT Standalone Operation
Application-Specific	AVR Application1: Clock Transition Output, Validity Output, XTI buffered Output, Interrupt Output
	AVR Application2: Secondary BCK/LRCK Output, XTI buffered Output, Interrupt Output
Digital Logic Specific	GPIO (General Purpose I/O), Logical high or low I/O, selectable I/O direction for each pin
	Hi-Z status, selectable for each pin

How to Assign Functions to MPIO

Both MPO0 and MPO1 have a function assignment register. The output of MPO0 can be selected using the MPO0SEL[3:0] register; in the same way, the output of MPO1 can be selected using the MPO1SEL[3:0] register. Selecting the biphasic source can be done using Register 35h/RO0SEL and Register 36h/RO1SEL. Muting the MPO can be done using Registers MPO0MUT and MPO1MUT.

Selection Of Output Source

The PCM9211 also has a routing function for serial digital audio clocks and data. This function routes between all input sources (DIR, ADC, AUXIN0, AUXIN1, AUXIN2) and Main Out, AUXOUT, and DIT. The selection for Main Out and AUXOUT is set with these registers:

- **Main Out:** Registers 6Bh, MOSSRC[2:0], and MOPSRC[2:0]
- **AUXOUT:** Register 6Ch, AOSSRC[2:0], and AOPSC[2:0]

Muting Main Out and AUXOUT is done using Register 6Ah. Hi-Z control for Main Out is set with Register 6Dh.

Assignable Signals to MPO Pins

Both MPO pins have the same function. The following signals can be routed to the MPOs:

- DIR flags output (details of signals are described in the [Flag](#) section)
- DIR Interrupt Output: INT0 and INT1
- B frame, serial output of channel status, user data and validity flag of DIR
- GPO (general-purpose output), Hi-Z / Logical high or low
- DIT biphasic Output
- XTI buffered Output
- RECOUT0 or RECOUT1, two independent multiplexers, are provided

To use the limited pins of the PCM9211 economically, the DIR flag outputs and the GPIO are used at same time within the number of MPIO pins assigned to DIR flags or to GPIO functions. *DIR flags* or *GPIO* can be selected for each MPIO zone by using Registers MPASEL[1:0], MPBSEL[2:0], and MPCSEL[2:0]

NOTE

To identify the pins in each MPIO group, the convention * represents 0 to 3.

When DIR flags are required on hardware pins, users should select the desired signals with Registers MPA*FLG, MPB*FLG, and MPC*FLG.

When GPIOs are required, set the I/O direction with GIOA*DIR, GIOB*DIR, and GIOC*DIR registers. When a GPO (general-purpose output) function is required, set the output data with Registers GPOA*, GPOB*, and GPOC*. When a GPI (general-purpose input) function is required, the status of the pins with an assigned GPI function is stored in the GIA*, GPIB*, and GPIC* registers (these registers are read-only).

MPIO and MPO Assignments

The I/O function of the MPIOs and MPOs are assigned by Registers MPASEL[1:0], MPBSEL[2:0], MPCSEL[2:0], MPO0SEL[3:0], and MPO1SEL[3:0]. The available functions are shown in [Table 12](#) through [Table 16](#).

Table 12. MPIO Group A (Pin: MPIO_A0 – MPIO_A3)

MPASEL[1:0]	DIRECTION	MPIO GROUP A FUNCTION
00	IN	Biphase input (RXIN8/RXIN9/RXIN10/RXIN11)
01	OUT	AVR Application 1 (CLKST, VOUT, XMCKO, INT0) (default) ⁽¹⁾
10	OUT	AVR Application 2 (SBCK, SLRCK, XMCKO, INT0)
11	IN/ OUT	DIR Flags output or GPIOs

(1) MPIO_A0 to MPIO_A3 are set to *Hi-Z* by the MPA0HZ to MPA3HZ registers as default.

Table 13. MPIO Group B (Pin: MPIO_B0 – MPIO_B3)

MPBSEL[2:0]	DIRECTION	MPIO GROUP B FUNCTION
000	IN	AUXIN2, ASCKI2/ABCKI2/ALRCKI2/ADIN2 (default)
001	OUT	AUXOUT, ASCKO/ABCKO/ALRCKO/ADOUT
010	OUT	Sampling frequency calculated result output, SFSOUT[3:0]
011	IN/OUT	DIR Flags Output or GPIO
100	OUT	DIR BCU _{V_{Output}} (BFRAME/COUT/UOUT/VOUT)
101	IN/OUT	External slave ADC input (EASCKO/EABCKO/EALRCKO/EADIN)
110	N/A	Reserved
111	N/A	Reserved

Table 14. MPIO Group C (Pin: MPIO_C0 – MPIO_C3)

MPCSEL[2:0]	DIRECTION	MPIO GROUP C FUNCTION
000	IN	AUXIN1 (ASCKI1/ABCKI1/ALRCKI1/ADIN1) (default)
001	IN/OUT	ADC Standalone, clock, and data (ADSCK/ADBCK/ADLRCK/ADDOUT)
010	OUT	Sampling frequency calculated result output, SFSOUT[3:0]
011	IN/OUT	DIR Flags output or GPIO
100	OUT	DIR BCUV output (BFRAME/COUT/UOUT/VOUT)
101	IN	DIT Standalone, clock, and data (TXSCK/TXBCK/TXLRCK/TXDIN)
110	N/A	Reserved
111	N/A	Reserved

Table 15. MPO0 Pin

MPO0SEL[3:0]	DIRECTION	MPO0 FUNCTION
0000	OUT	Hi-Z
0001	OUT	GPO0, Output data = Logic high level
0010	OUT	GPO0, Output data = Logic low level
0011	OUT	VOUT
0100	OUT	INT0
0101	OUT	INT1
0110	OUT	CLKST
0111	OUT	EMPH
1000	OUT	BPSYNC
1001	OUT	DTSCD
1010	OUT	PARITY
1011	OUT	LOCK
1100	OUT	XMCKO
1101	OUT	TXOUT (default)
1110	OUT	RECOUT0
1111	OUT	RECOUT1

Table 16. MPO1 Pin

MPO1SEL[3:0]	DIRECTION	MPO1 FUNCTION
0000	OUT	Hi-Z
0001	OUT	GPO1, Output data = Logic high level
0010	OUT	GPO1, Output data = Logic low level
0011	OUT	VOUT (default)
0100	OUT	INT0
0101	OUT	INT1
0110	OUT	CLKST
0111	OUT	EMPH
1000	OUT	BPSYNC
1001	OUT	DTSCD
1010	OUT	PARITY
1011	OUT	LOCK
1100	OUT	XMCKO
1101	OUT	TXOUT
1110	OUT	RECOUT0
1111	OUT	RECOUT1

MPIO Description

Description for Signal Name Assigned to MPIO

Table 17 through Table 25 list the details of where each of the internal PCM9211 signals can be routed to. For instance, DIR LOCK can be output to any of the MPIO and MPO pins, while SBCK (Secondary Clock Output) can only be brought out through MPIO_A0.

Table 17. DIR Flags Output

SIGNAL NAME	MPIO GROUP / PIN	DESCRIPTION
CLKST	All MPIOs, MPO0/1	Clock transient status signal output
INT0	All MPIOs, MPO0/1	Interrupt system 0, Interrupt event detection output
INT1	All MPIOs, MPO0/1	Interrupt system 1, Interrupt event detection output
EMPH	All MPIOs, MPO0/1	Channel status, emphasis detection output
BPSYNC	All MPIOs, MPO0/1	Burst preamble sync signal output
DTSCD	All MPIOs, MPO0/1	DTS-CD/LD detection output
PARITY	All MPIOs, MPO0/1	Biphase parity error detection output
LOCK	All MPIOs, MPO0/1	PLL lock detection output

Table 18. DIR B Frame, Channel Status, User Data, Validity Flag Output

SIGNAL NAME	MPIO GROUP / PIN	DESCRIPTION
BFRAME	All MPIOs, MPO0/1	B frame output
COUT	All MPIOs	Channel status data
UOUT	All MPIOs	User data
VOUT	All MPIOs	Validity flag

Table 19. DIR Calculated Sampling Frequency Output

SIGNAL NAME	MPIO GROUP / PIN	DESCRIPTION
SFSOUT0	All MPIOs	Calculated f_S , decoded output, bit0
SFSOUT1	All MPIOs	Calculated f_S , decoded output, bit1
SFSOUT2	All MPIOs	Calculated f_S , decoded output, bit2
SFSOUT3	All MPIOs	Calculated f_S , decoded output, bit3

Table 20. Biphase Input

SIGNAL NAME	MPIO GROUP / PIN	DESCRIPTION
RXIN8	MPIO_A0	Biphase signal input 8
RXIN9	MPIO_A1	Biphase signal input 9
RXIN10	MPIO_A2	Biphase signal input 10
RXIN11	MPIO_A3	Biphase signal input 11

Table 21. Biphase Output

SIGNAL NAME	MPIO GROUP / PIN	DESCRIPTION
REOUT0	MPO0/1	Independent biphase selector 0, output0
REOUT1	MPO0/1	Independent biphase selector 1, output1
TXOUT	MPO0/1	Built-in DIT, biphase output

Table 22. AUX Clocks Output

SIGNAL NAME	MPIO GROUP / PIN	DESCRIPTION
SBCK	MPIO_A0	Secondary bit clock output
SLRCK	MPIO_A1	Secondary LR clock output
XMCKO	MPIO_A2, MPO0/1	XTI pin input clock buffered output

Table 23. Audio Clock and Data I/O

SIGNAL NAME	MPIO GROUP / PIN	DESCRIPTION
ASCKI1	MPIO_C0	AUXIN1, system clock input
ABCKI1	MPIO_C1	AUXIN1, bit clock input
ALRCKI1	MPIO_C2	AUXIN1, LR clock input
ADIN1	MPIO_C3	AUXIN1, data input
ASCKI2	MPIO_B0	AUXIN2, system clock input
ABCKI2	MPIO_B1	AUXIN2, bit clock input
ALRCKI2	MPIO_B2	AUXIN2, LR clock input
ADIN2	MPIO_B3	AUXIN2, data input
ASCKO	MPIO_B0	AUXOUT, system clock output
ABCKO	MPIO_B1	AUXOUT, bit clock output
ALRCKO	MPIO_B2	AUXOUT, LR clock output
ADOUT	MPIO_B3	AUXOUT, data output
EASCKO	MPIO_B0	External Slave ADC Input, system clock output
EABCKO	MPIO_B1	External Slave ADC Input, bit clock output
EALRCKO	MPIO_B2	External Slave ADC Input, LR clock output
EADIN	MPIO_B3	External Slave ADC Input, data input
TXSCK	MPIO_C0	DIT Standalone, system clock input
TXBCK	MPIO_C1	DIT Standalone, bit clock input
TXLRCK	MPIO_C2	DIT Standalone, LR clock input
TXDIN	MPIO_C3	DIT Standalone, data input
ADSCK	MPIO_C0	ADC Standalone, system clock input
ADBCK	MPIO_C1	ADC Standalone, bit clock input/output
ADLRCK	MPIO_C2	ADC Standalone, LR clock input/output
ADDOUT	MPIO_C3	ADC Standalone, data output

Table 24. GPIO (General-Purpose Input/Output)

SIGNAL NAME	MPIO GROUP / PIN	DESCRIPTION
GPIA0	MPIO_A0	General-purpose input
GPIA1	MPIO_A1	General-purpose input
GPIA2	MPIO_A2	General-purpose input
GPIA3	MPIO_A3	General-purpose input
GPOA0	MPIO_A0	General-purpose output
GPOA1	MPIO_A1	General-purpose output
GPOA2	MPIO_A2	General-purpose output
GPOA3	MPIO_A3	General-purpose output
GPIB0	MPIO_B0	General-purpose input
GPIB1	MPIO_B1	General-purpose input
GPIB2	MPIO_B2	General-purpose input
GPIB3	MPIO_B3	General-purpose input
GPOB0	MPIO_B0	General-purpose output
GPOB1	MPIO_B1	General-purpose output
GPOB2	MPIO_B2	General-purpose output
GPOB3	MPIO_B3	General-purpose output
GPIC0	MPIO_C0	General-purpose input
GPIC1	MPIO_C1	General-purpose input
GPIC2	MPIO_C2	General-purpose input
GPIC3	MPIO_C3	General-purpose input

Table 24. GPIO (General-Purpose Input/Output) (continued)

SIGNAL NAME	MPIO GROUP / PIN	DESCRIPTION
GPOC0	MPIO_C0	General-purpose output
GPOC1	MPIO_C1	General-purpose output
GPOC2	MPIO_C2	General-purpose output
GPOC3	MPIO_C3	General-purpose output

Table 25. GPO (General-Purpose Output)

SIGNAL NAME	MPIO GROUP / PIN	DESCRIPTION
GPO0	MPO0	General-purpose output
GPO1	MPO1	General-purpose output

MPIO and MPO Assignment: Pin Assignment Details

Each MPIO group has four pins. [Table 26](#) through [Table 28](#) describe the signals assigned to each group.

Table 26. MPIO Group A

MPASEL[1:0]	ASSIGNED PIN FUNCTION			
	MPIO_A0	MPIO_A1	MPIO_A2	MPIO_A3
00	RXIN8	RXIN9	RXIN10	RXIN11
01 (Default)	CLKST	VOUT	XMCKO	INT0
10	SBCK	SLRCK	XMCKO	INT0
11	DIR Flag / GPIO ⁽¹⁾	DIR Flag / GPIO ⁽¹⁾	DIR Flag / GPIO ⁽¹⁾	DIR Flag / GPIO ⁽¹⁾

(1) This function, DIR Flag Output or GPIO, is set for each pin by Registers MPA0FLG, MPA1FLG, MPA2FLG, and MPA3FLG.

Table 27. MPIO Group B

MPBSEL[1:0]	ASSIGNED PIN FUNCTION			
	MPIO_B0	MPIO_B1	MPIO_B2	MPIO_B3
000 (Default)	ASCKI2	ABCKI2	ALRCKI2	ADIN2
001	ASCKO	ABCKO	ALRCKO	ADOUT
010	SFSOUT3	SFSOUT2	SFSOUT1	SFSOUT0
011	DIR Flag / GPIO ⁽¹⁾	DIR Flag / GPIO ⁽¹⁾	DIR Flag / GPIO ⁽¹⁾	DIR Flag / GPIO ⁽¹⁾
100	BFRAME	COOUT	UOUT	VOUT
101	EASCKO	EABCKO	EALRCKO	EADIN
110	Reserved	Reserved	Reserved	Reserved
111	Test Mode	Test Mode	Test Mode	Test Mode

(1) This function, DIR Flag Output or GPIO, is set for each pin by Registers MPB0FLG, MPB1FLG, MPB2FLG, and MPB3FLG.

Table 28. MPIO Group C

MPCSEL[1:0]	ASSIGNED PIN FUNCTION			
	MPIO_C0	MPIO_C1	MPIO_C2	MPIO_C3
000 (Default)	ASCKI1	ABCKI1	ALRCKI1	ADIN1
001	ADSK	ADBSCK	ADLRCK	ADDOUT
010	SFSOUT3	SFSOUT2	SFSOUT1	SFSOUT0
011	DIR Flag / GPIO ⁽¹⁾	DIR Flag / GPIO ⁽¹⁾	DIR Flag / GPIO ⁽¹⁾	DIR Flag / GPIO ⁽¹⁾
100	BFRAME	COOUT	UOUT	VOUT
101	TXSK	TXBSCK	TXLRCK	TXDIN
110	Reserved	Reserved	Reserved	Reserved
111	Reserved	Reserved	Reserved	Reserved

(1) This function, DIR Flag Output or GPIO, is set for each pin by Registers MPC0FLG, MPC1FLG, MPC2FLG, and MPC3FLG.

Default Routing Function (After RESET)

The default routing paths are shown in Figure 32. MPIO_A0-A3 are selected by CLKST, VOUT, XMCKO, and INTO. Note that by default, MPIO_A0-A3 pins are Hi-Z as set by Registers MPA0HZ, MPA1HZ, MPA2HZ, and MPA3HZ.

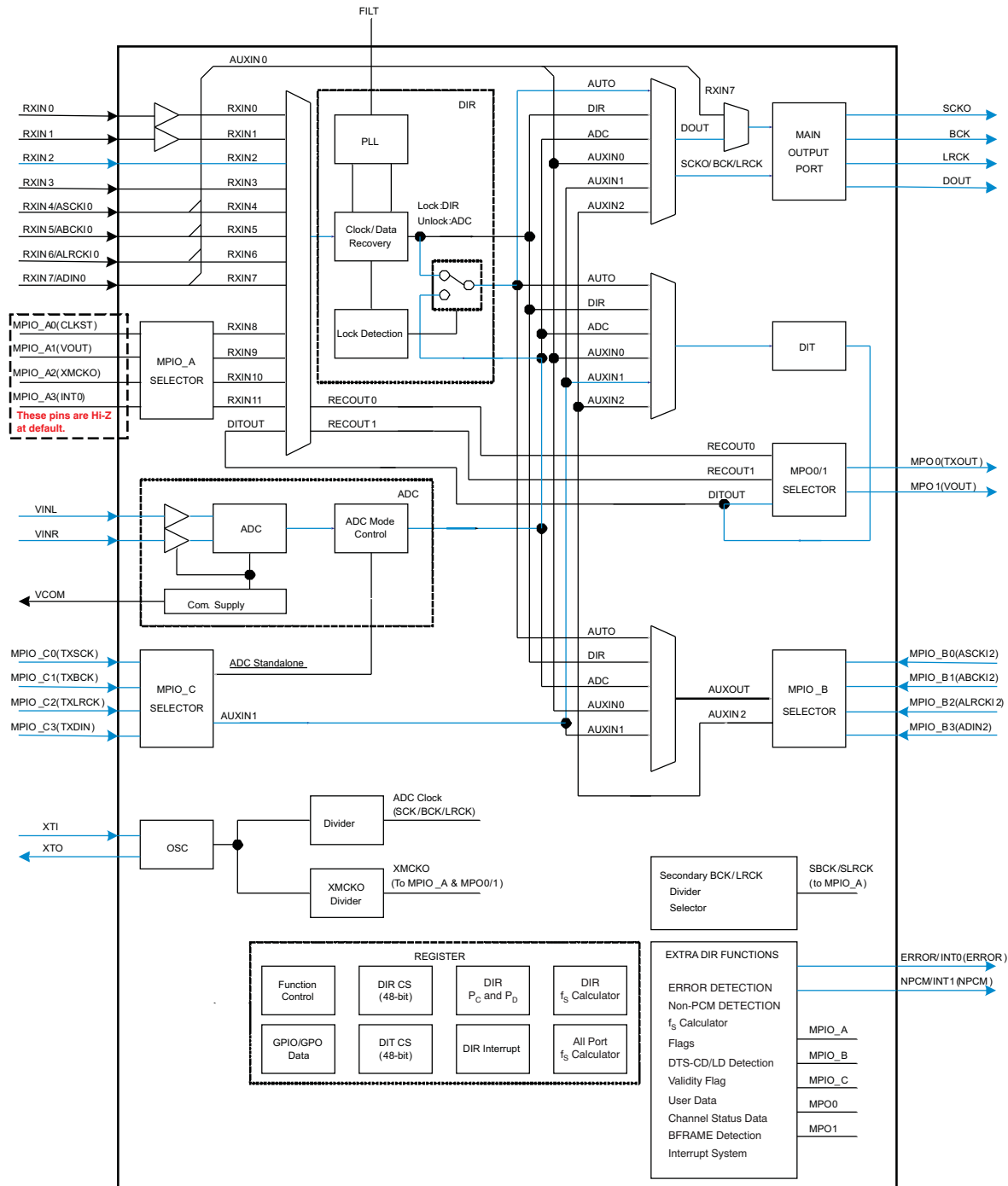


Figure 32. Default Routing Block Diagram

By default, the ADC starts up as a clock slave to the crystal that is connected to the PCM9211. The DIR receives data on RXIN2. When the DIR is unlocked, the ADC has priority, and uses the Main port. When the DIR is locked, data from the MAIN PORT are DIR data.

Multi-Channel PCM Routing Function

Overview

The PCM9211 has a multi-channel PCM routing function (maximum of eight channels) that can route multi-channel PCM signals easily. This function is enabled by using all the MPIOs.

MPIO_A and MPIO_C are assigned as multi-channel PCM input ports and clock transition outputs (CLKST).

MPIO_B and the Main audio port are assigned as multi-channel PCM output ports. For some applications, these multi-channel PCM output ports have five data pins. The DOUT pin and the MDOUT pin share the same data.

A detailed block diagram is shown in [Figure 33](#).

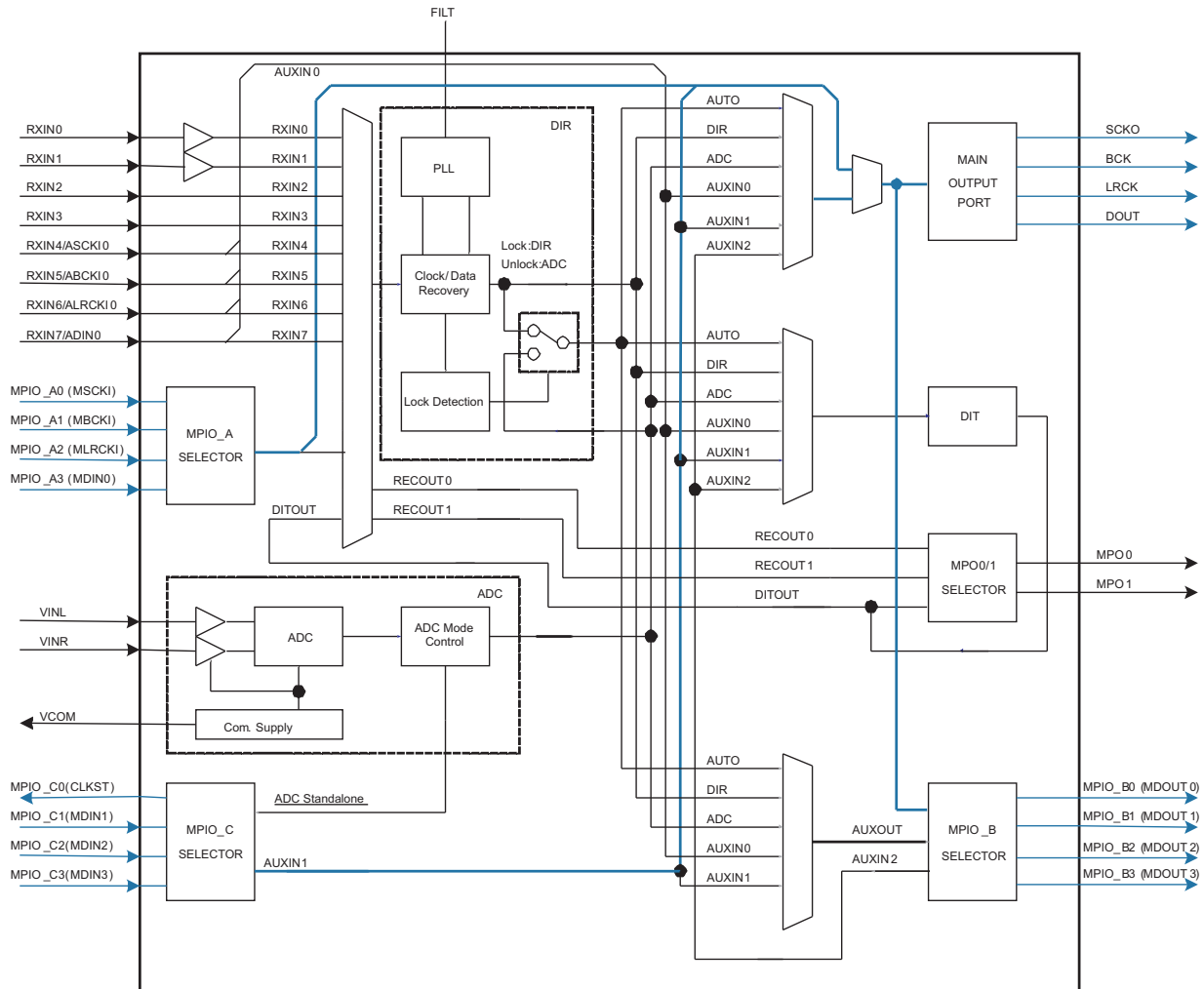


Figure 33. Multi-Channel PCM Routing Block Diagram

Initial Setting

To use the multi-channel function, set Register MCHR to '1'. In the multi-channel function, the assigned MPIO function for Registers MPASEL[1:0], MPBSEL[2:0], and MPCSEL[2:0], are invalid; in other words, Register MCHR has greater priority than Registers MPASEL[1:0], MPBSLE[2:0], and MPCSEL[2:0].

NOTE

In multi-channel PCM mode, Register MCHR (20h) and Register MPAXHz (6Eh) must be set to '0' in order to get the outputs from the main port.

Output Source Selection

The output source for Multi-Channel PCM Output (the Main output port and MPIO_B) is selected by a register. Table 29 describes the relationship between the output source and the register (MCHRSRC) setting.

Table 29. Multi-Channel PCM Output Source and Register Setting

MULTI-CHANNEL MODE OUTPUT SOURCE SELECT	MCHRSRC	
	'00' or '10'	'01' or '11'
CLOCK SOURCE	MAIN OUT ⁽¹⁾	MULTI-CH INPUT
DOUT	MAIN OUT ⁽¹⁾	MDIN0
MDOUT0	MAIN OUT ⁽¹⁾	MDIN0
MDOUT1	Logic low	MDIN1
MDOUT2	Logic low	MDIN2
MDOUT3	Logic low	MDIN3

(1) The *Main OUT* data source is discussed in the DIR section of this data sheet. It can either be the DIR recovered clock and data, or the ADC DATA and the ADC clock source.

DSD Input Mode

The PCM9211 can also be used to suppress the jitter of the DSCKI signals, typically generated by an HDMI receiver. DSD signals (DBCKI, DSDRI, DSDLI) are routed to the Main Port as DBCKO, DSDRO, and DSDL0, respectively.

The DIT works with DSCKI for SCK, DBCKI for BCK, internally-created LRCK, DBCKI divided by 64, and '0' data for DIN.

MOLRMTEN (Register 6Ah) can be used to mute/unmute DSDRO from the LRCK port. When MOLRMTEN is set to '1', mute/unmute of DSDRO from LRCK is available by MODMUT = 1/0.

Table 30 summarizes the DSD input mode configuration. Figure 34 illustrates the DSD format.

Table 30. DSD Input Mode Summary

SIGNAL NAME	MPIO GROUP / PIN	DESCRIPTION
DSCKI	MPIO_C0 or MPIO_B0	SCK input (256f _S)
DBCKI	MPIO_C1 or MPIO_B1	DBCK input for DSD format (64f _S)
DSDRI	MPIO_C2 or MPIO_B2	R-channel DSD data input for DSD format
DSDLI	MPIO_C3 or MPIO_B3	L-channel DSD data input for DSD format
DSCKO	SCKO	SCK output generated by DIR from DIT output
DBCKO	BCK	DBCK output for DSD format (the same signal as DBCKI)
DSDRO	LRCK	R-channel DSD data output for DSD format (the same signal as DSDRI)
DSDL0	DOUT	L-channel DSD data output for DSD format(the same signal as DSDLI)

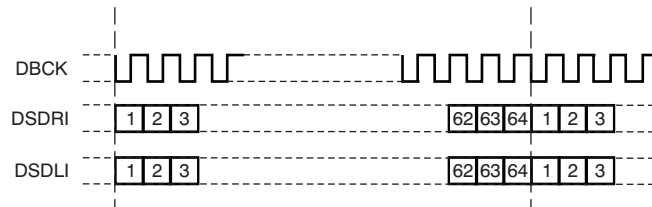


Figure 34. DSD Format

Typical Register Settings

[Table 31](#) and [Table 32](#) show the typical register settings for DSD format.

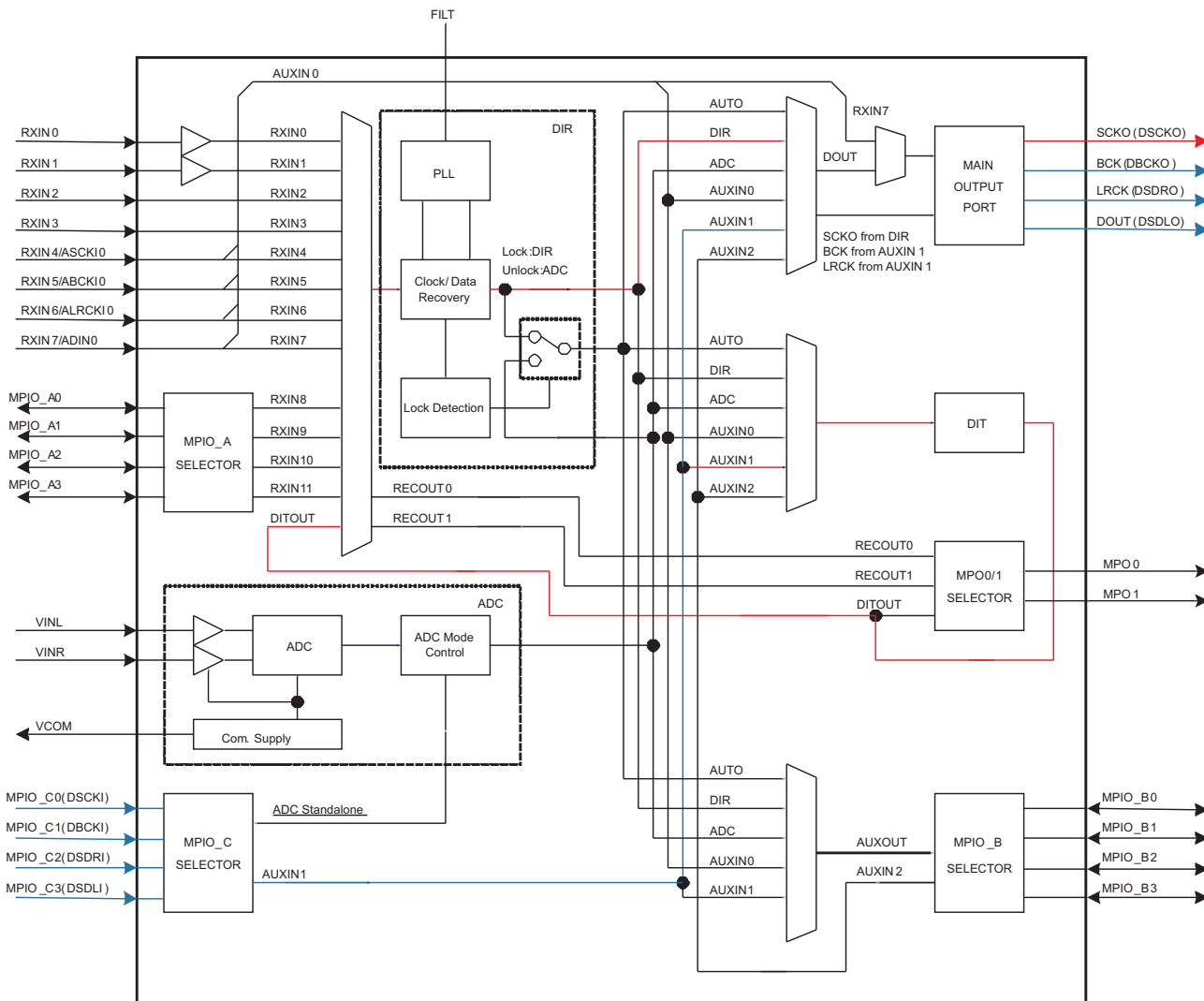
Table 31. DSD Inputs From MPIO_Cx Ports

REGISTER SETTINGS	DESCRIPTIONS
34h = CFh	RXSEL = TXOUT
61h = 14h	TXDSD = Enable
6Bh = 14h	MOSSRC = DIR MOPSRC = AUXIN1

Table 32. DSD Inputs From MPIO_Bx Ports

REGISTER SETTINGS	DESCRIPTIONS
34h = CFh	RXSEL = TXOUT
60h = 55h	TXSSRC = AUXIN2 TXPSRC = AUXIN2
61h = 14h	TXDSD = Enable
6Bh = 14h	MOSSRC = DIR MOPSRC = AUXIN1

Figure 35 shows a block diagram of DSD Input Mode (this illustration includes an example of DSD input = MPIO_Cx pins).



Note: Blue lines are through-paths for DBCKI, DSDRI, and DSDLI. Red lines are DSCKO generation paths.

Figure 35. DSD Input Mode Block Diagram

Serial Control Mode

The PCM9211 supports two types of control interface, which are set using the MODE pin (pin 27), as defined in [Table 33](#).

Table 33. Mode Control Interface Types

MODE	MODE CONTROL INTERFACE
Tied to DGND	Two-wire (I ² C) serial control
Tied to VDD	Four-wire (SPI) serial control

The input state of the MODE pin is only sampled during a power-on reset or external reset event. Therefore, any change after device power on or external reset is ignored.

[Table 34](#) shows the pin assignments based on the control interface selected.

Table 34. Pin Assignments for SPI and I²C Control Interfaces

PIN	DEFINITION	
	SPI MODE	I ² C MODE
23	MDO	ADR0
24	MDI	SDA
25	MC	SCL
26	MS	ADR1

Four-Wire (SPI) Serial Control

The PCM9211 includes an SPI-compatible serial port, which operates asynchronously to the audio serial interface. The control interface consists of these data sources: MDI/SDA, MS/ADR1, MC/SCL, and MDO/ADR0.

- MDI is the serial data input to program the mode control registers. In other applications, this source may be known as *MOSI*.
- MDO is the serial data output to read back register settings and some flags. In other applications, this source may be known as *MISO*.
- MC is the serial bit clock to shift the data into the control port. In other applications, this clock may be known as *SCK*.
- MS is the select input to enable the mode control port. In other applications, this control may be known as an *active-low Chip Select* (\overline{CS}).

Control Data Word Format

All single write/read operations via the serial control port use 16-bit data words. [Figure 36](#) shows the control data word format. The first bit is for read/write control, where '0' indicates a write operation and '1' shows a read operation. The next seven bits, labeled ADR[6:0], set the register address for the write/read operation. The least significant eight bits, D[7:0] on MDI or MDO, contain the data to be written to (or read from) the register specified by ADR[6:0].

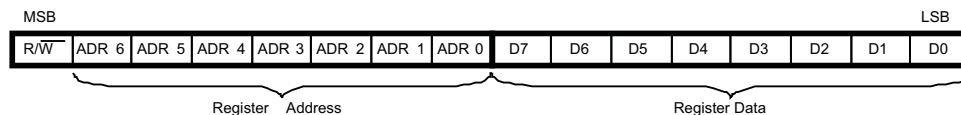


Figure 36. Control Data Word Format for MDI

Register Write Operation

Figure 37 shows the functional timing diagram for a single write operation on the serial control port. MS is held at '1' until a register must be written. To start the register write cycle, MS should be set to '0'. 16 clocks are then provided on MC, corresponding to the 16 bits of the control data word on MDI. After the 16th clock cycle has been completed, MS is set to '1' to latch the data into the indexed mode control register.

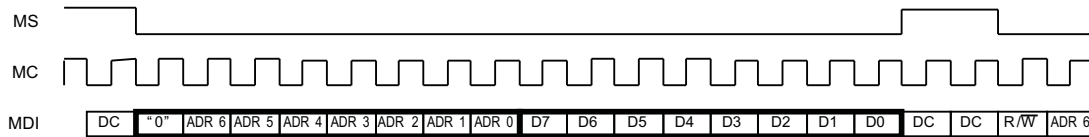


Figure 37. Register Write Operation

Channel status data are available from the Channel Status registers. To read the first 48 bits of the Channel Status registers accurately, the read should be started $48f_s$ after the start of the block. However, once MS is pulled to '0', there are no time requirements in which to read the data because the registers are locked.

Both INT0 and INT1 can also be masked to highlight when the Channel Status has been updated. In many cases, Channel Status does not change during playback (of a movie or music). Once the source changes, though, the Channel Status changes. This change causes an interrupt, which can then be used to trigger the DSP to read the Channel Status registers. The interrupt source is called OCSRNWx (Output Channel Status Renewal).

The OCSRNWx flag can be held in the INTx register, or masked and brought out to the ERR/INT0 or NPCM/INT1 pin.

Register Read Operation

Figure 38 shows the functional timing diagram for single read operations on the SPI serial control port. MS is held high until a register is to be read. To start the register read cycle, MS is set to a *low* state. 16 clocks are then provided on MC, corresponding to the first eight bits of the control data word on MDI, and second eight bits of the read-back data word from MDO. After the 16th clock cycle has been completed, MS is set to *high* for next write or read operation. MDO remains in a *Hi-Z* (or high impedance) state except for a period of eight MC clocks for actual data transfer.

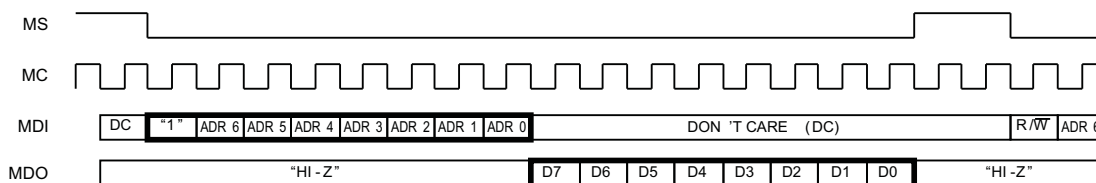
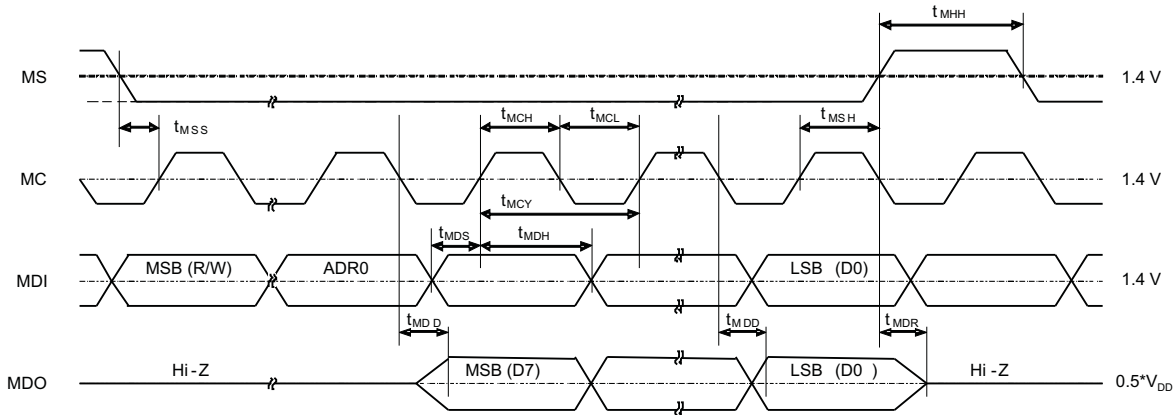


Figure 38. Register Read Operation

Timing Requirements

Figure 39 shows a detailed timing diagram for the four-wire serial control interface. These timing parameters are critical for proper control port operation.



SYMBOL	DESCRIPTION	MIN	MAX	UNITS
t _{MCY}	MC Pulse cycle time	100		ns
t _{MCL}	MC Low level time	40		ns
t _{MCH}	MC High level time	40		ns
t _{MHH}	MS High level time	t _{MCY}		ns
t _{MSS}	MS Falling edge to MC rising edge	30		ns
t _{MSH}	MS Rising edge from MC rising edge for LSB	15		ns
t _{MDH}	MDI Hold time	15		ns
t _{MDS}	MDI Set-up time	15		ns
t _{MDD}	MDO Enable or delay time from MC falling edge	0	30	ns
t _{MDR}	MDO Disable time from MS rising edge	0	30	ns

Figure 39. Control Interface Timing Requirements

Two-Wire (I²C) Serial Control

The PCM9211 also supports the I²C serial bus and data transmission protocol. It can be configured for fast mode as a slave device. This protocol is explained fully in the [I²C specification 2.1](#).

Slave Address

MSB						LSB	
1	0	0	0	0	ADR1	ADR0	R/ \bar{W}

The PCM9211 has seven bits for its own slave address. The first five bits (MSB) of the slave address are factory-preset to '10000'. The next two bits of the address byte are selectable bits that can be set by MDO/ADR0 and MS/ADR1. A maximum of four PCM9211s can be connected on the same bus at one time. Each PCM9211 responds when it receives its own slave address.

Packet Protocol

A master device must control the packet protocol, which consists of a start condition, slave address with read/write bit, data if a write procedure is desired, or an acknowledgment if read and stop conditions exist. The PCM9211 supports both slave receiver and transmitter functions. Details of the DATA pulse for both write and read operations are described in Figure 40.

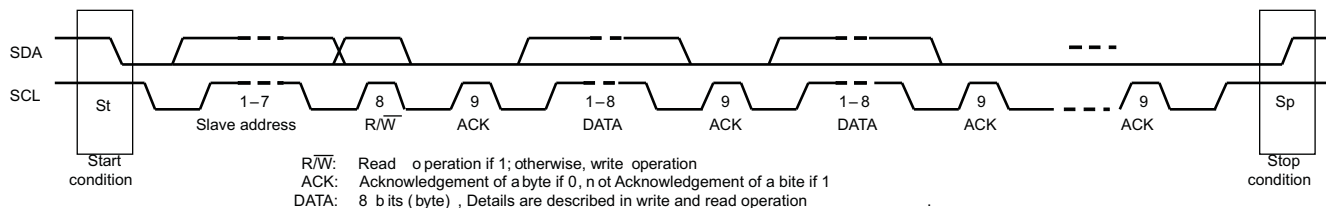


Figure 40. I²C Packet Protocol

Write Operation

The PCM9211 can only function as an I²C slave. A master can write to any PCM9211 registers using either single or multiple accesses. The master sends a PCM9211 slave address with a write bit, a register address, and the data. When undefined registers are accessed, the PCM9211 does not send an acknowledgment. Figure 41 illustrates the write operation. The register address and the write data are 8-bit, MSB-first format.

Transmitter	M	M	M	S	M	S	M	S	M	S		S	M
Data Type	St	slave address	\overline{W}	ACK	reg address	ACK	write data 1	ACK	write data 2	ACK		ACK	Sp

M: Master Device S: Slave Device St: Start Condition \overline{W} : Write ACK: Acknowledge Sp: Stop Condition

Figure 41. Framework for Write Operation

Read Operation

A master can read the PCM9211 registers. The value of the register address is stored in an indirect index register in advance. The master sends the PCM9211 slave address with a read bit after storing the register address. The PCM9211 then transfers the data to which the index register points. Figure 42 shows the read operation.

Transmitter	M	M	M	S	M	S	M	M	M	S	S	M	M
Data Type	St	slave address	\overline{W}	ACK	reg address	ACK	Sr	slave address	R	ACK	read data	NACK	Sp

M: Master Device S: Slave Device St: Start Condition Sr: Repeated Start Condition \overline{W} : Write R: Read

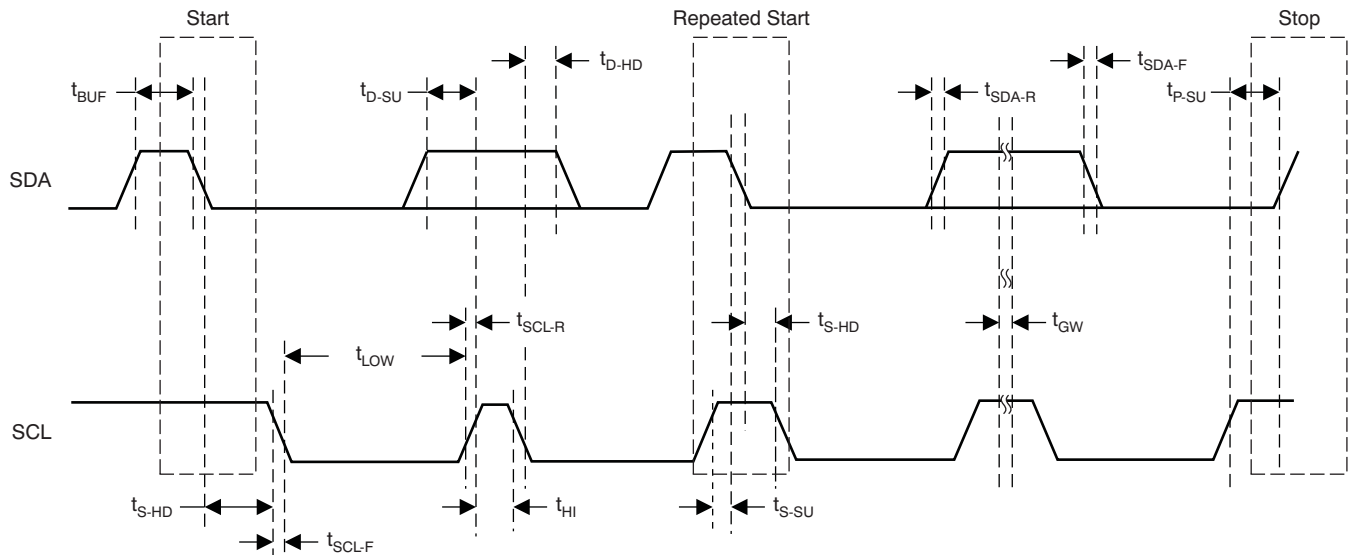
ACK: Acknowledge NACK: Not Acknowledge Sp: Stop Condition

Note: The slave address after the repeated start condition must be the same as the previous slave address.

Figure 42. Framework for Read Operation

Timing Diagram

Figure 43 shows the detailed timing diagram for SCL and SDA.



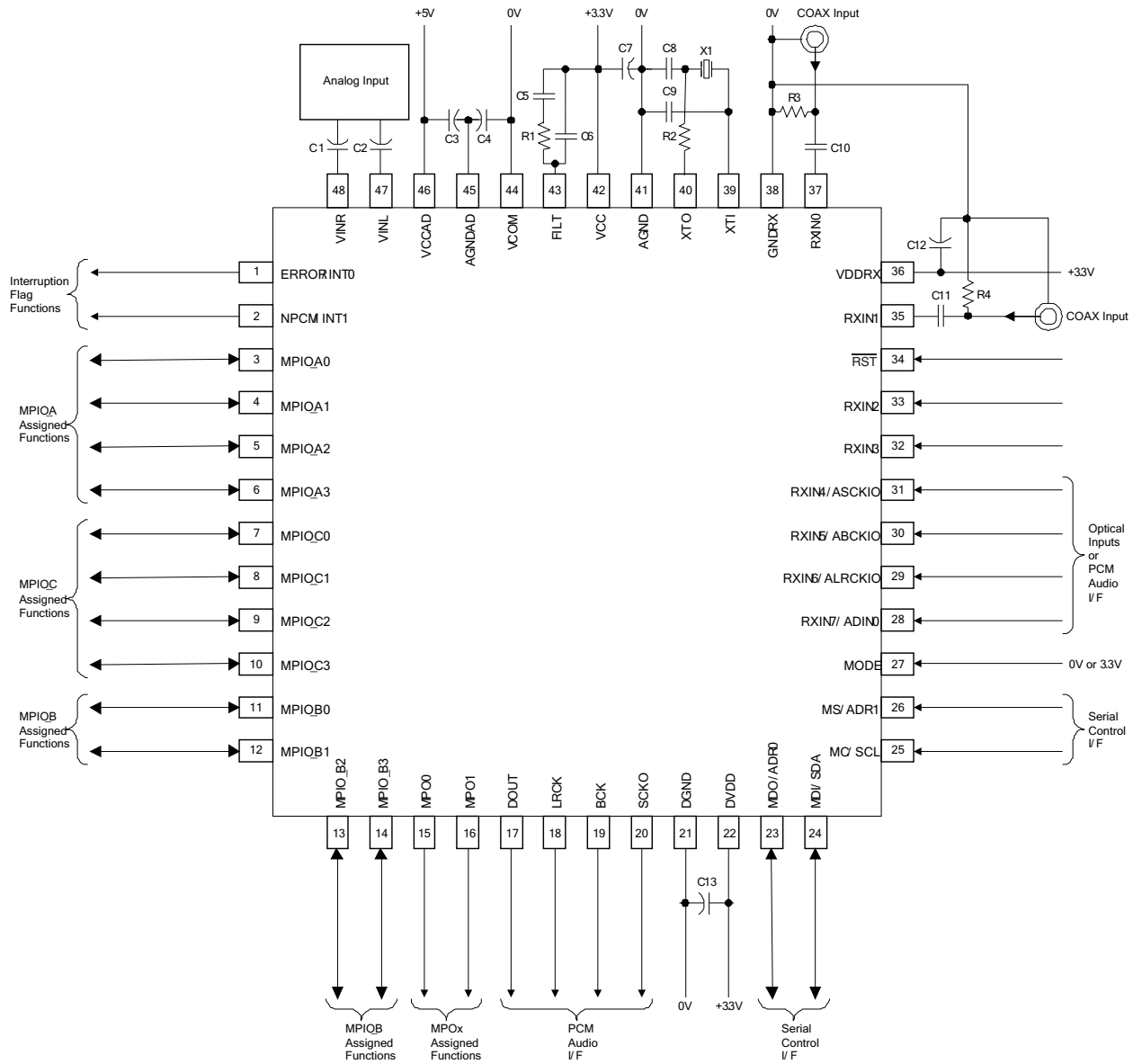
SYMBOL	DESCRIPTION	STANDARD MODE		FAST MODE		UNITS
		MIN	MAX	MIN	MAX	
f_{SCL}	SCL clock frequency		100		400	kHz
t_{BUF}	Bus free time between STOP and START condition	4.7		1.3		μ s
t_{LOW}	Low period of the SCL clock	4.7		1.3		μ s
t_{HI}	High period of the SCL clock	4.0		0.6		μ s
t_{S-SU}	Setup time for START/Repeated START condition	4.7		0.6		μ s
t_{S-HD}	Hold time for START/Repeated START condition	4.0		0.6		μ s
t_{D-SU}	Data setup time	250		100		ns
t_{D-HD}	Data hold time	0	3450	0	900	ns
t_{SCL-R}	Rise time of SCL signal		1000	$20 + 0.1C_B$	300	ns
t_{SCL-F}	Fall time of SCL signal		1000	$20 + 0.1C_B$	300	ns
t_{SDA-R}	Rise time of SDA signal		1000	$20 + 0.1C_B$	300	ns
t_{SDA-F}	Fall time of SDA signal		1000	$20 + 0.1C_B$	300	ns
t_{P-SU}	Setup time for STOP condition	4.0		0.6		μ s
t_{GW}	Allowable glitch width		n/a		50	ns
C_B	Capacitive load for SDA and SCL line		400		100	pF
V_{NH}	Noise margin at High level for each connected device (including hysteresis)	$0.2 \times V_{DD}$		$0.2 \times V_{DD}$		V
V_{NL}	Noise margin at Low level for each connected device (including hysteresis)	$0.1 \times V_{DD}$		$0.1 \times V_{DD}$		V
V_{HYS}	Hysteresis of Schmitt-trigger input	n/a		$0.05 \times V_{DD}$		V

Figure 43. Control Interface Timing

APPLICATION INFORMATION

TYPICAL CIRCUIT CONNECTION

Figure 44 illustrates a typical circuit connection.

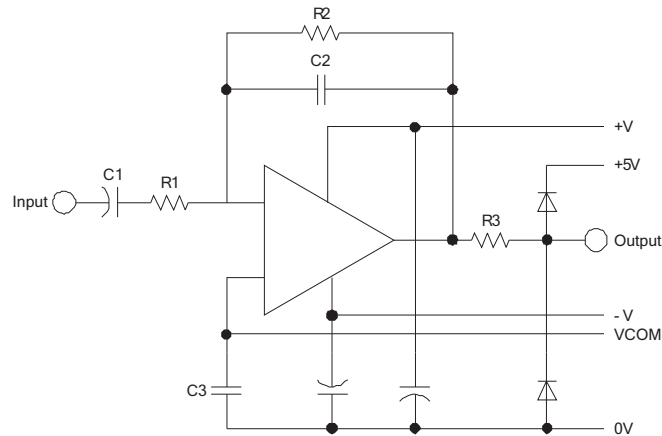


- R1: Loop filter resistor, 680 Ω.
- R2: Current-limiting resistor; generally, a 100-Ω to 500-Ω resistor is used, but it depends on the crystal resonator.
- R3, R4: Coax input termination resistors, 75 Ω.
- C1, C2: 4.7-μF electrolytic capacitor is recommended for 3-Hz cutoff frequency.
- C3, C7, C12, C13: 0.1-μF ceramic capacitor and 10-μF electrolytic capacitor, depending on the power supply.
- C4: 0.1-μF ceramic capacitor and 10-μF electrolytic capacitor is recommended.
- C5: Loop filter capacitor, 0.068 mF.
- C6: Loop filter capacitor, 0.0047 mF.
- C8, C9: OSC load capacitor; generally, a 10-pF to 30-pF capacitor is used, but it depends on the crystal resonator and PCB layout.
- C10, C11: DC blocking capacitor for coax input, 0.1 μF.
- X1: Crystal resonator. Use a 24.576-MHz fundamental resonator when the XT1 clock source is needed.

Figure 44. Typical Circuit Connection

APPLICATION EXAMPLE FOR ANALOG INPUT

Figure 45 shows an example of V_{COM} biased buffering for $2 \cdot V_{RMS}$ input with overvoltage protection.



Example of C and R values with gain (G) and corner frequency (f_C):

$R1 = 20 \text{ k}\Omega$
 $R2 = 10 \text{ k}\Omega$
 $R3 = 1 \text{ k}\Omega$
 $C1 = 10 \text{ }\mu\text{F}$
 $C2 = 330 \text{ pF}$
 $C3 = 0.1 \text{ }\mu\text{F}$
 $G = 0.5$
 $f_C = 48 \text{ kHz}$

Figure 45. V_{COM} Biased Buffering Example

REGISTER INFORMATION

Table 35. REGISTER MAP

ADR	REGISTER DESCRIPTION	R/W	B7	B6	B5	B4	B3	B2	B1	B0
20h	ERROR Output Condition and Shared Port Settings	R/W	RSV	ERRCON	MCHR	RSV	ERRHZ	ERRSEL	NPCMHZ	NPCMSEL
21h	DIR Initial Settings 1/3	R/W	RSV	RSV	RSV	RXFSRNG	RSV	RSV	RSV	RSV
22h	DIR Initial Settings 2/3	R/W	RSV	CLKSTCON	RSV	CLKSTP	RSV	RSV	RSV	RXVDLY
23h	DIR Initial Settings 3/3	R/W	RSV	RSV	XTIWT1	XTIWT0	PRTPRO1	PRTPRO0	ERRWT1	ERRWT0
24h	Oscillation Circuit Control	R/W	OSCAUTO	RSV	RSV	XMCKEN	XMCKDIV1	XMCKDIV0	RSV	RSV
25h	ERROR Cause Setting	R/W	RSV	RSV	EFSCHG	EFSLMT	ENPCM	EVALID	EPARITY	EUNLOCK
26h	AUTO Source Selector Cause Setting	R/W	ACKSL	AERROR	RSV	AFSLMT	ANPCM	AVALID	RSV	AUNLOCK
27h	DIR Acceptable f_s Range Setting and Mask	R/W	MSK128	MSK64	RSV	NOMLMT	HILMT1	HILMT0	LOLMT1	LOLMT0
28h	Non-PCM Definition Setting	R/W	RSV	RSV	CS1BPLS	NPCMP	RSV	DTSCD	PAPB	CSBIT1
29h	DTS CD/LD Detection Setting	R/W	RSV	RSV	RSV	RSV	DTS16	DTS14	DTSRPD1	DTSRPD0
2Ah	INT0 Output Cause Mask Setting	R/W	MERROR0	MNPCM0	MEMPHF0	MDTSCD0	MCSRNW0	MPCRNW0	MFSCHG0	RSV
2Bh	INT1 Output Cause Mask Setting	R/W	MERROR1	MNPCM1	MEMPHF1	MDTSCD1	MCSRNW1	MPCRNW1	MFSCHG1	MADLVL1
2Ch	INT0 Output Register	R	OERROR0	ONPCM0	OEMPHF0	ODTSCD0	OCSRNW0	OPCRNW0	OFSCHG0	RSV
2Dh	INT1 Output Register	R	OERROR1	ONPCM1	OEMPHF1	ODTSCD1	OCSRNW1	OPCRNW1	OFSCHG1	OADLVL1
2Eh	INT0, INT1 Output Polarity Setting	R/W	RSV	INT1P	RSV	ADLVLTH1	ADLVLTH0	INT0P	RSV	RSV
2Fh	DIR Output Data Format	R/W	RSV	RSV	RSV	RSV	RSV	RXFMT2	RXFMT1	RXFMT0
30h	DIR Recovered System Clock Ratio Setting	R/W	RSV	RSV	RSV	PSCKAUT O	RSV	PSCK2	PSCK1	PSCK0
31h	XTI Source Clock Frequency Setting	R/W	RSV	RSV	XSCK1	XSCK0	XBCK1	XBCK0	XLRCK1	XLRCK0
32h	DIR Source, Sec. Bit/LR Clock Frequency Setting	R/W	RSV	PSBCK2	PSBCK1	PSBCK0	RSV	PSLRCK2	PSLRCK1	PSLRCK0
33h	XTI Source, Sec. Bit/LR Clock Frequency Setting	R/W	RSV	XSCK2	XSCK1	XSCK0	RSV	XSLRCK2	XSLRCK1	XSLRCK0
34h	DIR Input Biphase Source Select, Coax Amp. Control	R/W	RX0DIS	RX1DIS	RSV	RSV	RXSEL3	RXSEL2	RXSEL1	RXSEL0
35h	RECOU0 Output Biphase Source Select	R/W	RSV	RSV	RSV	MPO0MUT	RO0SEL3	RO0SEL2	RO0SEL1	RO0SEL0
36h	RECOU1 Output Biphase Source Select	R/W	RSV	RSV	RSV	MPO1MUT	RO1SEL3	RO1SEL2	RO1SEL1	RO1SEL0
37h	Port f_s Calculator Measurement Target Setting	R/W	RSV	RSV	RSV	RSV	RSV	PFSTGT2	PFSTGT1	PFSTGT0
38h	Port f_s Calculator Result Output	R	PFSST	PFSP02	PFSP01	PFSP00	PFSOUT3	PFSOUT2	PFSOUT1	PFSOUT0
39h	Incoming Biphase Information and Calculated f_s Output	R	SFSSST	SCSBIT1	RSV	RSV	SFSOUT3	SFSOUT2	SFSOUT1	SFSOUT0
3Ah	P _C Buffer Byte0 (Burst Preamble P _C Output Register)	R	PC7	PC6	PC5	PC4	PC3	PC2	PC1	PC0
3Bh	P _C Buffer Byte1 (Burst Preamble P _C Output Register)	R	PC15	PC14	PC13	PC12	PC11	PC10	PC9	PC8
3Ch	P _D Buffer Byte0 (Burst Preamble P _D Output Register)	R	PD7	PD6	PD5	PD4	PD3	PD2	PD1	PD0
3Dh	P _D Buffer Byte1 (Burst Preamble P _D Output Register)	R	PD15	PD14	PD13	PD12	PD11	PD10	PD9	PD8
40h	System Reset Control	R/W	MRST	SRST	ADDIS	RXDIS	RSV	RSV	TXDIS	XODIS
42h	ADC Function Control 1/3	R/W	RSV	RSV	ADCKOUT	ADDTRX7	ADFLMT	ADCLK2	ADCLK1	ADCLK0
46h	ADC L-ch, digital ATT control	R/W	ADATTL7	ADATTL6	ADATTL5	ADATTL4	ADATTL3	ADATTL2	ADATTL1	ADATTL0
47h	ADC R-ch, digital ATT control	R/W	ADATTR7	ADATTR6	ADATTR5	ADATTR4	ADATTR3	ADATTR2	ADATTR1	ADATTR0
48h	ADC Function Control 2/3	R/W	RSV	ADIFMD7	ADIFMD6	ADIFMD5	ADIFMD0	RSV	RSV	ADMFT0
49h	ADC Function Control 3/3	R/W	RSV	RSV	RSV	ADZCDD	ADBYP	ADPHSE	ADMUTR	ADMUTL
5Ah	DIR Channel Status Data Buffer 1/6	R	RXCS7	RXCS6	RXCS5	RXCS4	RXCS3	RXCS2	RXCS1	RXCS0
5Bh	DIR Channel Status Data Buffer 2/6	R	RXCS15	RXCS14	RXCS13	RXCS12	RXCS11	RXCS10	RXCS9	RXCS8
5Ch	DIR Channel Status Data Buffer 3/6	R	RXCS23	RXCS22	RXCS21	RXCS20	RXCS19	RXCS18	RXCS17	RXCS16
5Dh	DIR Channel Status Data Buffer 4/6	R	RXCS31	RXCS30	RXCS29	RXCS28	EXCS27	RXCS26	RXCS25	RXCS24
5Eh	DIR Channel Status Data Buffer 5/6	R	RXCS39	RXCS38	RXCS37	RXCS36	RXCS35	RXCS34	RXCS33	RXCS32
5Fh	DIR Channel Status Data Buffer 6/6	R	RXCS47	RXCS46	RXCS45	RXCS44	RXCS43	RXCS42	RXCS41	RXCS40
60h	DIT Function Control 1/3	R/W	RSV	TXSSRC2	TXSSRC1	TXSSRC0	RSV	TXPSRC2	TXPSRC1	TXPSRC0
61h	DIT Function Control 2/3	R/W	RSV	TXSCK2	TXSCK1	TXSCK0	RSV	RSV	TXFMT1	TXFMT0
62h	DIT Function Control 3/3	R/W	RSV	RSV	TXDMUT	RSV	TXVFLG	RSV	RSV	RSV
63h	DIT Channel Status Data Buffer 1/6	R/W	TXCS7	TXCS6	TXCS5	TXCS4	TXCS3	TXCS2	TXCS1	TXCS0
64h	DIT Channel Status Data Buffer 2/6	R/W	TXCS15	TXCS14	TXCS13	TXCS12	TXCS11	TXCS10	TXCS9	TXCS8
65h	DIT Channel Status Data Buffer 3/6	R/W	TXCS23	TXCS22	TXCS21	TXCS20	TXCS19	TXCS18	TXCS17	TXCS16
66h	DIT Channel Status Data Buffer 4/6	R/W	TXCS31	TXCS30	TXCS29	TXCS28	TXCS27	TXCS26	TXCS25	TXCS24

Table 35. REGISTER MAP (continued)

ADR	REGISTER DESCRIPTION	R/W	B7	B6	B5	B4	B3	B2	B1	B0
67h	DIT Channel Status Data Buffer 5/6	R/W	TXCS39	TXCS38	TXCS37	TXCS36	TXCS35	TXCS34	TXCS33	TXCS32
68h	DIT Channel Status Data Buffer 6/6	R/W	TXCS47	TXCS46	TXCS45	TXCS44	TXCS43	TXCS42	TXCS41	TXCS40
6Ah	Main Output and AUXOUT Port Data Mute Control	R/W	AOMUTAS	MOMUTAS	RSV	RSV	AOLRMTE N	AODMUT	MOLRMTE N	MODMUT
6Bh	Main Output Port, Output Source Setting	R/W	RSV	MOSSRC2	MOSSRC1	MOSSRC0	RSV	MOPSRC2	MOPSRC1	MOPSRC0
6Ch	AUX Output Port, Output Source Setting	R/W	RSV	AOSSRC2	AOSSRC1	AOSSRC0	RSV	AOPSRC2	AOPSRC1	AOPSRC0
6Dh	MPIO_B & Main Output Port Hi-Z Control	R/W	MPB3HZ	MPB2HZ	MPB1HZ	MPB0HZ	SCKOHZ	BCKHZ	LRCKHZ	DOUTHZ
6Eh	MPIO_C and MPIO_A Hi-Z Control	R/W	MPC3HZ	MPC2HZ	MPC1HZ	MPC0HZ	MPA3HZ	MPA2HZ	MPA1HZ	MPA0HZ
6Fh	MPIO_A, MPIO_B, MPIO_C Group Function Assign	R/W	MPASEL1	MPASEL0	MPBSEL2	MPBSEL1	MPBSEL0	MPCSEL2	MPCSEL1	MPCSEL0
70h	MPIO_A, Flags/GPIO Assign Setting	R/W	RSV	RSV	MCHSRC1	MCHSRC0	MPA3SEL	MPA2SEL	MPA1SEL	MPA0SEL
71h	MPIO_B, MPIO_C, Flags/GPIO Assign Setting	R/W	MPB3SEL	MPB2SEL	MPB1SEL	MPB0SEL	MPC3SEL	MPC2SEL	MPC1SEL	MPC0SEL
72h	MPIO_A1, MPIO_A0 Output Flag Select	R/W	MPA1FLG3	MPA1FLG2	MPA1FLG1	MPA1FLG0	MPA0FLG3	MPA0FLG2	MPA0FLG1	MPA0FLG0
73h	MPIO_A3, MPIO_A2 Output Flag Select	R/W	MPA3FLG3	MPA3FLG2	MPA3FLG1	MPA3FLG0	MPA2FLG3	MPA2FLG2	MPA2FLG1	MPA2FLG0
74h	MPIO_B1, MPIO_B0 Output Flag Select	R/W	MPB1FLG3	MPB1FLG2	MPB1FLG1	MPB1FLG0	MPB0FLG3	MPB0FLG2	MPB0FLG1	MPB0FLG0
75h	MPIO_B3, MPIO_B2 Output Flag Select	R/W	MPB3FLG3	MPB3FLG2	MPB3FLG1	MPB3FLG0	MPB2FLG3	MPB2FLG2	MPB2FLG1	MPB2FLG0
76h	MPIO_C1, MPIO_C0 Output Flag Select	R/W	MPC1FLG3	MPC1FLG2	MPC1FLG1	MPC1FLG0	MPC0FLG3	MPC0FLG2	MPC0FLG1	MPC0FLG0
77h	MPIO_C3, MPIO_C2 Output Flag Select	R/W	MPC3FLG3	MPC3FLG2	MPC3FLG1	MPC3FLG0	MPC2FLG3	MPC2FLG2	MPC2FLG1	MPB2FLG0
78h	MPO1, MPO0 Function Assign Setting	R/W	MPO1SEL3	MPO1SEL2	MPO1SEL1	MPO1SEL0	MPO0SEL3	MPO0SEL2	MPO0SEL1	MPO0SEL0
79h	GPIO I/O Direction control for MPIO_A, MPIO_B	R/W	GIOB3DIR	GIOB2DIR	GIOB1DIR	GIOB0DIR	GIOA3DIR	GIOA2DIR	GIOA1DIR	GIOA0DIR
7Ah	GPIO I/O Direction control for MPIO_C	R/W	RSV	RSV	RSV	RSV	GIOC3DIR	GIOC2DIR	GIOC1DIR	GIOC0DIR
7Bh	GPIO Output Data Setting for MPIO_A, MPIO_B	R/W	GPOB3	GPOB2	GPOB1	GPOB0	GPOA3	GPOA2	GPOA1	GPOA0
7Ch	GPIO Output Data Setting for MPIO_C	R/W	RSV	RSV	RSV	RSV	GPOC3	GPOC2	GPOC1	GPOC0
7Dh	GPIO Input Data Register for MPIO_A, MPIO_B	R	GPIB3	GPIB2	GPIB1	GPIB0	GPIA3	GPIA2	GPIA1	GPIA0
7Eh	GPIO Input Data Register for MPIO_C	R	RSV	RSV	RSV	RSV	GPIC3	GPIC2	GPIC1	GPIC0

REGISTER DESCRIPTIONS
NOTE

Memo boxes are provided to aid in development. Record your register settings below for future reference.

**Register 20h, ERROR Output Condition and Shared Port Settings
(Address: 20h, Write and Read)**

DATA	B7	B6	B5	B4	B3	B2	B1	B0
Reg Name	RSV	ERRCON	MCHR	RSV	ERRHZ	ERRSEL	NPCMZH	NPCMSEL
Default Value	0	0	0	0	0	0	0	0
Memo								

ERRCON: ERROR Output Condition Setting

- 0: ERROR pin output is always DIR status (default)
- 1: ERROR output depends on source control MOPSRC[2:0]
 - DIR/AUTO: Output DIR status
 - Except DIR: ERROR outputs *high* (error status).

MCHR: MPIO/Multi-Channel PCM Routing Select

- 0: All MPIOs are controlled by MPASEL[1:0], MPBSEL[1:0], MPCSEL[2:0] (Default)
- 1: All MPIOs are assigned for Multi-Channel PCM Routing I/O.

ERRHZ: ERROR/INT0 Port Output Hi-Z Control

- 0: Output (default)
- 1: Hi-Z

ERRSEL: ERROR/INT0 Port Output Source Select

- 0: ERROR (default)
- 1: INT0

NOTE: ERRSEL must be '0' when Register 26h/AERROR = 1 or Register 42h/ADFSLMT = 1, or if the signal CLKST is used.

NPCMZH: NPCM/INT1 Port Output Hi-Z Control

- 0: Output (default)
- 1: Hi-Z

NPCMSEL: NPCM/INT1 Port Output Source Select

- 0: NPCM (default)
- 1: INT1

**Register 21h, DIR Initial Settings 1/3
(Address: 21h, Write and Read)**

DATA	B7	B6	B5	B4	B3	B2	B1	B0
Reg Name	RSV	RSV	RSV	RXFSRNG	RSV	RSV	RSV	RSV
Default Value	0	0	0	0	0	0	0	0
Memo								

RXFSRNG: DIR Receivable Incoming Biphas Sampling Frequency Range Setting

- 0: Wide Mode (7 kHz to 216 kHz) (default)
- 1: Normal Mode (28 kHz to 108 kHz)

**Register 22h, DIR Initial Settings 2/3
(Address: 22h, Write and Read)**

DATA	B7	B6	B5	B4	B3	B2	B1	B0
Reg Name	RSV	CLKSTCON	RSV	CLKSTP	RSV	RSV	RSV	RXVDLY
Default Value	0	0	0	0	0	0	0	1
Memo								

CLKSTCON: CLKST Output Condition Setting

- 0: Only PLL Lock status change (default)
- 1: All events where the Main port output clock condition changes, as well as these cases:
 1. MOSSRC/MOPSRC Register is updated to ADC, AUXIN0, AUXIN1, or AUXIN2
 2. DIR and ADC are switched by DIR status when MOSSRC = 000(AUTO) and MOPSRC = 000(AUTO)
 3. Main port sampling frequency changes when PFSTGT = 101(Main output port)

NOTES:

- CLKST never outputs when updating MOSSRC and MOPSRC to AUTO or DIR.
- OSCAUTO must be '0' when CLKST is used because CLKST is generated by frequency counting of built-in oscillator circuit.
- To output CLKST, MOSSRC and MOPSRC are set simultaneously.

CLKSTP: CLKST Polarity Setting

- 0: Active low (default)
- 1: Active high

RXVDLY: VOUT Delay Setting

- 0: VOUT is active immediately after validity flag is detected
- 1: VOUT is active after synchronization with DOUT data (default)

**Register 23h, DIR Initial Settings 3/3
(Address: 23h, Write and Read)**

DATA	B7	B6	B5	B4	B3	B2	B1	B0
Reg Name	RSV	RSV	XTIWT1	XTIWT0	PRTPRO1	PRTPRO0	ERRWT1	ERRWT0
Default Value	0	0	0	0	0	1	0	0
Memo								

XTIWT[1:0]: Crystal OSC, Oscillation Start-up Wait Time Setting

- 00: 25 ms
- 01: 50 ms
- 10: 100 ms
- 11: 200 ms

XTIWT is counted by the PLL generated clock.

These are the resulting values when the PLL is running with a free-run clock because of no S/PDIF input.

After these delay times, the Main Port source changes from DIR to ADC when DIR is unlocked.

PRTPRO[1:0]: Process for Parity Error Detection

- 00: No process
- 01: For PCM data only, an 8x continuous parity error is replaced by previous data and muted after ninth parity error at EPARITY = 1 (default)
- 10: For PCM and non-PCM data, an 8x continuous parity error is replaced by previous data and muted after ninth parity error at EPARITY = 1
- 11: Reserved (The definition of *Non-PCM* depends on the Non-PCM Definition Setting Register)

Validity flag, user bit, channel status, Non-PCM and DTS-CD detection should be refreshed by waiting more than $192/f_S$ without any parity error.

ERRWT[1:0]: ERROR Release Wait Time Setting

- 00: ERROR Release after 48 counts of preamble *B* (Default), 192 ms at $f_S = 48$ kHz
- 01: ERROR Release after 12 counts of preamble *B*
- 10: ERROR Release after six counts of preamble *B*
- 11: ERROR Release after three counts of preamble *B*

These counts are only available when DIR is unlocked or DIR sampling frequency is changed or exceeds limits defined by DIR Acceptable f_S Range Setting and Mask registers.

CLKST also uses ERRWT to release.

**Register 24h, Oscillation Circuit Control
(Address: 24h, Write and Read)**

DATA	B7	B6	B5	B4	B3	B2	B1	B0
Reg Name	OSCAUTO	RSV	RSV	XMCKEN	XMCKDIV1	XMCKDIV0	RSV	RSV
Default Value	0	0	0	0	0	0	0	0
Memo								

OSCAUTO: Oscillation Circuit Automatic Operation Control

- 0: Built-in oscillator circuit always operates (default)
- 1: Built-in oscillator circuit is stopped during lock state of DIR but is active when DIR locks and CLKST is active

NOTES:

- The XODIS command has more priority than this OSCAUTO register.
- If XODIS is set to power down, the XTI source is not output.

XMCKENX: MCKO (XTI Clock Buffered Output) Output Enable Control

- 0: MUTE (Logic low level) (default)
- 1: Output

XMCKDIV[1:0]: XMCKO (XTI Clock Buffered Output) Output Clock Dividing Ratio

- 00: XTI/1 (24.576 MHz) (default)
- 01: XTI/2 (12.288 MHz)
- 10: XTI/4 (6.144 MHz)
- 11: XTI/8 (3.072 MHz)

**Register 25h, ERROR Cause Setting
(Address: 25h, Write and Read)**

DATA	B7	B6	B5	B4	B3	B2	B1	B0
Reg Name	RSV	RSV	EFSCHG	EFSLMT	ENPCM	EVALID	EPARITY	EUNLOCK
Default Value	0	0	0	0	0	0	0	1
Memo								

The following ERROR Cause Setting registers are independent of the AUTO Source Selector Cause Setting Register (Register 26h).

EFSCHG: DIR Sampling Frequency Change

- 0: Not selected (default)
- 1: Selected

EFSLMT: DIR Limiting Acceptable Sampling Frequency

- 0: Not selected (default)
- 1: Selected

The definition of receivable sampling frequency range depends on the f_s Limit Setting Register.

ENPCM: Non-PCM

- 0: Not selected (default)
- 1: Selected

The definition of *non-PCM* is depend on the Non-PCM Definition Setting Register.

EVALID: Validity Flag

- 0: Not selected (default)
- 1: Selected

EPARITY: Parity Error

- 0: Not selected (default)
- 1: Selected

EUNLOCK: PLL Lock Error

- 0: Not selected
- 1: Selected (default)

This register is used for setting the ERROR output factor.

The required factors of ERROR set to '1' are selected based on *OR* logic.

**Register 26h, AUTO Source Selector Cause Setting
(Address: 26h, Write and Read)**

DATA	B7	B6	B5	B4	B3	B2	B1	B0
Reg Name	ACKSL	AERROR	RSV	AFSLMT	ANPCM	AVALID	RSV	AUNLOCK
Default Value	0	0	0	0	0	0	0	1
Memo								

The AUTO source selector is an automatic selector that outputs DIR or ADC output based on the following register settings. The following AUTO Source Selector Cause Setting registers are independent of the ERROR Cause Setting Register (Register 25h).

ACKSL: ADC Output Clock Select

- 0: ADC clock selected by the ADCLK[2:0] Register (Register 42h) (default)
- 1: XTI clock

AERROR: ERROR

- 0: Not selected (default)
- 1: Selected

ERROR condition is defined by the ERROR Cause Setting Register (Register 25h).

AFSLMT: Limiting Acceptable Sampling Frequency

- 0: Not selected (default)
- 1: Selected

The definition of receivable sampling frequency range depends on the f_s Limit Setting Register.

ANPCM: Non-PCM

- 0: Not selected (default)
- 1: Selected

The definition of Non PCM is depend on the Non-PCM Definition Setting Register.

AVALID: Validity Flag

- 0: Not selected (default)
- 1: Selected

AUNLOCK: PLL Lock Error

- 0: Not selected
- 1: Selected (default)

**Register 27h, DIR Acceptable f_s Range Setting and Mask
(Address: 27h, Write and Read)**

DATA	B7	B6	B5	B4	B3	B2	B1	B0
Reg Name	MSK128	MSK64	RSV	NOMLMT	HILMT1	HILMT0	LOLMT1	LOLMT0
Default Value	0	0	0	0	0	0	0	0
Memo								

MSK128: Mask for $f_s = 128$ kHz

0: No mask (default)

1: Mask

PCM9211 does not receive 128-kHz sampling frequency.
This register setting is effective with NOMLMT = '1'.

MSK64: Mask for $f_s = 64$ kHz

0: No mask (default)

1: Mask

PCM9211 does not receive 64-kHz sampling frequency.
This register setting is effective with NOMLMT = '1'.

NOMLMT: Receive Nominal Audio f_s within $\pm 2\%$

0: No limit (default)

1: Limit

PCM9211 receives the nominal audio sampling frequencies within $\pm 2\%$.
The nominal audio sampling frequencies are: 8 kHz, 11.025 kHz, 12 kHz, 16 kHz, 22.05 kHz, 24 kHz, 32 kHz, 44.1 kHz, 48 kHz, 64 kHz, 88.2 kHz, 96 kHz, 128 kHz, 176.4 kHz, 192 kHz

HILMT[1:0]: Acceptable f_s Higher Limit Setting

00: No limit (default)

01: $f_s = 54$ kHz

10: $f_s = 108$ kHz

11: $f_s = 216$ kHz

LOLMT[1:0]: Acceptable f_s Lower Limit Setting

00: No limit (default)

01: $f_s = 7$ kHz

10: $f_s = 14$ kHz

11: $f_s = 28$ kHz

This condition of receivable sampling frequency is used as the ERROR and AUTO source selection when EFSLMT or AFSLMT is set to '1'.

**Register 28h, Non-PCM Definition
(Address: 28h, Write and Read)**

DATA	B7	B6	B5	B4	B3	B2	B1	B0
Reg Name	RSV	RSV	CS1BPLS	NPCMP	RSV	DTSCD	PAPB	CSBIT1
Default Value	0	0	0	0	0	0	1	1
Memo								

CS1BPLS: CSBIT1 Detection Signal Select

- 0: Hold value (default)
- 1: Pulse

NPCMP: NPCM Pin Output Polarity

- 0: Active high (default)
- 1: Active low

DTSCD: DTS CD/LD Detection

- 0: Unselected (default)
- 1: Selected

PAPB: Burst Preamble P_A and P_B Detection

- 0: Unselected
- 1: Selected (default)

CSBIT1: Channel Status Bit1 = 1 Detection

- 0: Unselected
- 1: Selected (default)

This register is used to set the definition of non-PCM data. The NPCM pin output and NPCM Register Flag output follow this definition.

There are three types of non-PCM factors to be selected, based on OR logic.

NOTE

The DTSCD Register (Register 29h) must be '1' (that is, selected) in order to output the DTSCD flag from the MPIO, MPO, and INT pins as DIR Flag outputs.

**Register 29h, DTS-CD/LD Sync Word and Period Detection Setting
(Address: 29h, Write and Read)**

DATA	B7	B6	B5	B4	B3	B2	B1	B0
Reg Name	RSV	RSV	RSV	RSV	DTS16	DTS14	DTSPRD1	DTSPRD0
Default Value	0	0	0	0	1	1	0	0
Memo								

DTS16: DTS-CD/LD 16-bit Sync Word Detection

- 0: Unselected
- 1: Selected (default)

DTS14: DTS-CD/LD 14-bit Sync Word Detection

- 0: Unselected
- 1: Selected (default)

DTSPRD[1:0]: DTS-CD/LD Sync Word Detection Period

- 00: No period, detect one sync word (default)
- 01: One period
- 10: Two periods
- 11: Four periods

NOTE

The DTSCD Register (Register 28h) must be '1' (that is, selected) in order to output the DTSCD flag from the MPIO, MPO, and INT pins as DIR Flag outputs.

**Register 2Ah, INT0 Output Cause Mask Setting
(Address: 2Ah, Write and Read)**

DATA	B7	B6	B5	B4	B3	B2	B1	B0
Reg Name	MERROR0	MNPCM0	MEMPHF0	MDTSCD0	MCSRNW0	MPCRNW0	MFSCHG0	RSV
Default Value	1	1	1	1	1	1	1	1
Memo								

MERROR0: ERROR Port Output Status

- 0: Not masked
- 1: Masked (default)

MNPCM0: NPCM Port Output Status

- 0: Not masked
- 1: Masked (default)

This register setting follows the register setting of non-PCM data identification.

MEMPHF0: Emphasis Flag in Channel Status

- 0: Not masked
- 1: Masked (default)

MDTSCD0: DTS-CD/LD Sync Detection

- 0: Not masked
- 1: Masked (default)

This detection condition depends on the register setting for DTS-CD/LD detection conditions.

MCSRNW0: Channel Status Data of Beginning 48-bit Renewal

- 0: Not masked
- 1: Masked (default)

MPCRNW0: Burst Preamble P_C Renewal

- 0: Not masked
- 1: Masked (default)

MFSCHG0: Renewal Flag of f_S Calculator Result

- 0: Not masked
- 1: Masked (default)

**Register 2Bh, INT1 Output Cause Mask Setting
(Address: 2Bh, Write and Read)**

DATA	B7	B6	B5	B4	B3	B2	B1	B0
Reg Name	MERROR1	MNPCM1	MEMPHF1	MDTSCD1	MCSRNW1	MPCRNW1	MFSCHG1	MADLVL1
Default Value	1	1	1	1	1	1	1	1
Memo								

MERROR1: ERROR Port Output Status

- 0: Not masked
- 1: Masked (default)

MNPCM1: NPCM Port Output Status

- 0: Not masked
- 1: Masked (default)

This register setting follows the register setting of non-PCM data identification.

MEMPHF1: Emphasis Flag in Channel Status

- 0: Not masked
- 1: Masked (default)

MDTSCD1: DTS-CD/LD Sync Detection

- 0: Not masked
- 1: Masked (default)

This detection condition depends on the register setting for DTS-CD/LD detection conditions.

MCSRNW1: Channel Status Data of Beginning 48-bit Renewal

- 0: Not masked
- 1: Masked (default)

MPCRNW1: Burst Preamble P_C Renewal

- 0: Not masked
- 1: Masked (default)

MFSCHG1: Renewal Flag of f_S Calculator Result

- 0: Not masked
- 1: Masked (default)

MADLVL1: ADC Input Level Detection Status

- 0: Not masked
- 1: Masked (default)

**Register 2Ch, INT0 Output Register
(Address: 2Ch, Read-Only)**

DATA	B7	B6	B5	B4	B3	B2	B1	B0
Reg Name	OERROR0	ONPCM0	OEMPHF0	ODTSCD0	OCSRNW0	OPCRNW0	OFSCHG0	RSV
Default Value	N/A	N/A	N/A	N/A	N/A	N/A	N/A	0
Memo								

OERROR0: ERROR Port Output Status

0: No ERROR

1: Detect ERROR

This register setting follows the register setting of the ERROR factor.

ONPCM0: NPCM Port Output Status

0: PCM data

1: Non-PCM data

This register setting follows the register setting of non-PCM data identification.

OEMPHF0: Emphasis Flag in Channel Status

0: No emphasis

1: Emphasis

ODTSCD0: DTS-CD/LD Detection

0: No DTS-CD/LD

1: DTS-CD/LD

This register setting follows the register setting for DTS-CD/LD detection conditions.

OCSRNW0: Channel Status Data of Beginning 48-bit Renewal

0: Not detect renewal

1: Detect renewal

OPCRNW0: Burst Preamble P_C Renewal

0: Not detect renewal

1: Detect renewal

OFSCHG0: Renewal Flag of f_S Calculator Result

0: Not detect renewal

1: Detect renewal

When this register is read, the INT0 output is cleared.

**Register 2Dh, INT1 Output Register
(Address: 2Dh, Read-Only)**

DATA	B7	B6	B5	B4	B3	B2	B1	B0
Reg Name	OERROR1	ONPCM1	OEMPHF1	ODTSCD1	OCSRNW1	OPCRNW1	OFSCHG1	OADLVL1
Default Value	N/A	N/A	N/A	N/A	N/A	N/A	N/A	N/A
Memo								

OERROR1: ERROR Port Output Status

0: No ERROR

1: Detect ERROR

This register setting follows the register setting of the ERROR factor.

ONPCM1: NPCM Port Output Status

0: PCM data

1: Non-PCM data

This register setting follows the register setting of non-PCM data identification.

OEMPHF1: Emphasis Flag in Channel Status

0: No emphasis

1: Emphasis

ODTSCD1: DTS-CD/LD Detection

0: No DTS-CD/LD

1: DTS-CD/LD

This register setting follows the register setting for DTS-CD/LD detection conditions.

OCSRNW1: Channel Status Data of Beginning 48-bit Renewal

0: Not detect renewal

1: Detect renewal

OPCRNW1: Burst Preamble P_C Renewal

0: Not detect renewal

1: Detect renewal

OFSCHG1: Renewal Flag of f_S Calculator Result

0: Not detect renewal

1: Detect renewal

OADLVL1: ADC Input Level Detection Status

0: Not detect the defined threshold input level

1: Detect the defined threshold input level

NOTE: The threshold input level is defined by Register 2Eh, ADLVLTH[1:0].

When this register is read, the INT1 output is cleared.

**Register 2Eh, INT0, INT1 Output Polarity Setting
(Address: 2Eh, Write and Read)**

DATA	B7	B6	B5	B4	B3	B2	B1	B0
Reg Name	RSV	INT1P	RSV	ADLVLTH1	ADLVLTH0	INT0P	RSV	RSV
Default Value	0	0	0	0	0	0	0	0
Memo								

INT1P: INT1 Port, Polarity Setting

- 0: Negative logic (default)
- 1: Positive logic

ADLVLTH[1:0]: ADC Input Level Detection Threshold for INT1

- 00: -12dB
- :
- 01: -24dB
- 10: -36dB
- 11: -48dB

INT0P: INT0 Port, Polarity Setting

- 0: Negative logic (default)
- 1: Positive logic

When the INT0 or INT1 Information Register is read, Register INT0 or INT1 port output is cleared.

**Register 2Fh, DIR Output Data Format
(Address: 2Fh, Write and Read)**

DATA	B7	B6	B5	B4	B3	B2	B1	B0
Reg Name	RSV	RSV	RSV	RSV	RSV	RXFMT2	RXFMT1	RXFMT0
Default Value	0	0	0	0	0	1	0	0
Memo								

RXFMT[2:0]: DIR Output Data Format Setting

- 000: 24-bit MSB first, right-justified
- 001: Reserved
- 010: Reserved
- 011: 16-bit MSB first, right-justified
- 100: 24-bit MSB first, I²S (default)
- 101: 24-bit MSB first, left-justified
- 110: Reserved
- 111: Reserved

**Register 30h, DIR Recovered System Clock (SCK) Ratio Setting
(Address: 30h, Write and Read)**

DATA	B7	B6	B5	B4	B3	B2	B1	B0
Reg Name	RSV	RSV	RSV	PSCKAUTO	RSV	PSCK2	PSCK1	PSCK0
Default Value	0	0	0	0	0	0	1	0
Memo								

PSCKAUTO: PLL SCK Dividing Ratio Automatic Control Setting

- 0: Disable (default)
- 1: Enable

This register is used to set the PLL SCK dividing ratio automatic control function. SCK setting is automatically set depending on the input sampling frequency.

512f_S: 54 kHz and below

256f_S: 54 kHz to 108 kHz

128f_S: 108 kHz and above or unlocked

The register setting of PSCKAUTO is prioritized higher than the PSCK[2:0] register setting. For instance, if PSCKAUTO = '1', the PSCK[2:0] register setting is ignored.

To use this function, the XTI clock source is required.

PSCK[2:0]: DIR Recovered Clock Frequency Setting

- 000: 128f_S
- 001: Reserved
- 010: 256f_S (default)
- 011: Reserved
- 100: 512f_S
- 101: Reserved
- 110: Reserved
- 111: Reserved

**Register 31h, XTI Source, Clock (SCK/BCK/LRCK) Frequency Setting
(Address: 31h, Write and Read)**

DATA	B7	B6	B5	B4	B3	B2	B1	B0
Reg Name	RSV	RSV	XSCK1	XSCK0	XBCK1	XBCK0	XLRCK1	XLRCK0
Default Value	0	0	0	1	1	0	1	0
Memo								

XSCK[1:0]: XTI Clock Source Frequency Setting

- 00: XTI/1 (24.576 MHz)
- 01: XTI/2 (12.288 MHz) (default)
- 10: XTI/4 (6.144 MHz)
- 11: XTI/8 (3.072 MHz)

XBCK[1:0]: XTI Clock Source BCK Frequency Setting

- 00: XTI/2 (12.288 MHz)
- 01: XTI/4 (6.144 MHz)
- 10: XTI/8 (3.072 MHz) (default)
- 11: XTI/16 (1.536 MHz)

XLRCK[1:0]: XTI Clock Source LRCK Frequency Setting

- 00: XTI/128 (192 kHz)
- 01: XTI/256 (96 kHz)
- 10: XTI/512 (48 kHz) (default)
- 11: XTI/1024 (24 kHz)

NOTE

The XTI clock source frequency is allowed to be set over the maximum limit of the ADC allowable clock frequency. However, setting the XTI clock source frequency at such a level is not recommended and may cause the device to exceed its stated operating and performance limits.

**Register 32h, DIR Source, Secondary Bit/LR Clock (SBCK/SLRCK) Frequency Setting
(Address: 32h, Write and Read)**

DATA	B7	B6	B5	B4	B3	B2	B1	B0
Reg Name	RSV	PSBCK2	PSBCK1	PSBCK0	RSV	PSLRCK2	PSLRCK1	PSLRCK0
Default Value	0	0	1	0	0	0	1	0
Memo								

PSBCK[2:0]: DIR Clock Source, Secondary BCK (SBCK) Frequency Setting

- 000: $16f_S$ (BCK/4)
- 001: $32f_S$ (BCK/2)
- 010: $64f_S$ (1x BCK) (default)
- 011: $128f_S$ (2x BCK)
- 100: $256f_S$ (4x BCK)
- 101: Reserved
- 110: Reserved
- 111: Reserved

PSLRCK[2:0]: DIR Clock Source, Secondary LRCK (SLRCK) Frequency Setting

- 000: $f_S/4$ (LRCK/4)
- 001: $f_S/2$ (LRCK/2)
- 010: f_S (1x LRCK) (default)
- 011: $2f_S$ (2x LRCK)
- 100: $4f_S$ (4x LRCK)
- 101: Reserved
- 110: Reserved
- 111: Reserved

**Register 33h, XTI Source, Secondary Bit/LR Clock (SBCK/SLRCK) Frequency Setting
(Address: 33h, Write and Read)**

DATA	B7	B6	B5	B4	B3	B2	B1	B0
Reg Name	RSV	XSBCK2	XSBCK1	XSBCK0	RSV	XSLRCK2	XSLRCK1	XSLRCK0
Default Value	0	0	1	0	0	0	1	0
Memo								

XSBCK[2:0]: XTI Clock Source, Secondary BCK (SBCK) Frequency Setting

- 000: XTI/2 (12.288 MHz)
- 001: XTI/4 (6.144 MHz)
- 010: XTI/8 (3.072 MHz) (default)
- 011: XTI/16 (1.536 MHz)
- 100: XTI/32 (0.768 MHz)
- 101: Reserved
- 110: Reserved
- 111: Reserved

XSLRCK[2:0]: XTI Clock Source, Secondary LRCK (SLRCK) Frequency Setting

- 000: XTI/128 (192 kHz)
- 001: XTI/256 (96 kHz)
- 010: XTI/512 (48 kHz) (default)
- 011: XTI/1024 (24 kHz)
- 100: XTI/2048 (12 kHz)
- 101: Reserved
- 110: Reserved
- 111: Reserved

**Register 34h, DIR Input Biphase Source Select, Coax Amplifier Control
(Address: 34h, Write and Read)**

DATA	B7	B6	B5	B4	B3	B2	B1	B0
Reg Name	RX0DIS	RX1DIS	RSV	RSV	RXSEL3	RXSEL2	RXSEL1	RXSEL0
Default Value	1	1	0	0	0	0	1	0
Memo								

RX0DIS: Power Down for RXIN0 Coaxial Amplifier

- 0: Normal operation
- 1: Power down (default)

RX1DIS: Power Down for RXIN1 Coaxial Amplifier

- 0: Normal operation
- 1: Power down (default)

RXSEL[3:0]: DIR Input Biphase Signal Source Select

- 0000: RXIN0
- 0001: RXIN1
- 0010: RXIN2 (default)
- 0011: RXIN3
- 0100: RXIN4
- 0101: RXIN5
- 0110: RXIN6
- 0111: RXIN7
- 1000: RXIN8
- 1001: RXIN9
- 1010: RXIN10
- 1011: RXIN11
- 1100: Reserved
- 1101: Reserved
- 1110: Reserved
- 1111: TXOUT (internal DIT output)

NOTE

RX0DIS or RX1DIS must be set to '0', even when an S/PDIF, TTL, or OPTICAL input is provided into RXIN0 or RXIN1, without use of the built-in COAX amplifier.

**Register 35h, RECOUT0 Output Biphase Source Settings
(Address: 35h, Write and Read)**

DATA	B7	B6	B5	B4	B3	B2	B1	B0
Reg Name	RSV	RSV	RSV	MPO0MUT	RO0SEL3	RO0SEL2	RO0SEL1	RO0SEL0
Default Value	0	0	0	0	0	0	1	0
Memo								

RO0SEL0[3:0]: RECOUT0 Output Biphase Source Select

- 0000: RXIN0
- 0001: RXIN1
- 0010: RXIN2 (default)
- 0011: RXIN3
- 0100: RXIN4
- 0101: RXIN5
- 0110: RXIN6
- 0111: RXIN7
- 1000: RXIN8
- 1001: RXIN9
- 1010: RXIN10
- 1011: RXIN11
- 1100: Reserved
- 1101: Reserved
- 1110: Reserved
- 1111: TXOUT (internal DIT output)

MPO0MUT: MPO0 Mute Control

- 0: Output (default)
- 1: MUTE (Logic low level)

**Register 36h, RECOUT1 Output Biphase Source Settings
(Address: 36h, Write and Read)**

DATA	B7	B6	B5	B4	B3	B2	B1	B0
Reg Name	RSV	RSV	RSV	MPO1MUT	RO1SEL3	RO1SEL2	RO1SEL1	RO1SEL0
Default Value	0	0	0	0	0	0	1	0
Memo								

RO1SEL0[3:0]: RECOUT1 Output Biphase Source Select

- 0000: RXIN0
- 0001: RXIN1
- 0010: RXIN2 (default)
- 0011: RXIN3
- 0100: RXIN4
- 0101: RXIN5
- 0110: RXIN6
- 0111: RXIN7
- 1000: RXIN8
- 1001: RXIN9
- 1010: RXIN10
- 1011: RXIN11
- 1100: Reserved
- 1101: Reserved
- 1110: Reserved
- 1111: TXOUT (internal DIT output)

MPO1MUT: MPO1 Mute Control

- 0: Output (default)
- 1: MUTE (Logic low level)

**Register 37h, Port Sampling Frequency Calculator Measurement Target Setting
(Address: 37h, Write and Read)**

DATA	B7	B6	B5	B4	B3	B2	B1	B0
Reg Name	RSV	RSV	RSV	RSV	RSV	PFSTGT2	PFSTGT1	PFSTGT0
Default Value	0	0	0	0	0	0	0	0
Memo								

PFSTGT[2:0]: Port f_s Calculator, Target Port Setting

- 000: DIR (default)
- 001: ADC
- 010: AUXIN0
- 011: AUXIN1
- 100: AUXIN2
- 101: Main output port
- 110: AUX output port
- 111: DIT

**Register 38h, Port Sampling Frequency Calculator Result Output
(Address: 38h, Read-Only)**

DATA	B7	B6	B5	B4	B3	B2	B1	B0
Reg Name	PFSST	PFSP02	PFSP01	PFSP00	PFSOUT3	PFSOUT2	PFSOUT1	PFSOUT0
Default Value	N/A	N/A	N/A	N/A	N/A	N/A	N/A	N/A
Memo								

PFSST: Port Sampling Frequency Calculate Status

- 0: Calculated
- 1: Calculating

PFSP0[2:0]: Calculated Port Information

- 000: DIR
- 001: ADC
- 010: AUXIN0
- 011: AUXIN1
- 100: AUXIN2
- 101: Main output port
- 110: AUX output port
- 111: DIT

PFSOUT[3:0]: Calculated Sampling Frequency

- 0000: Out of range
- 0001: 8 kHz
- 0010: 11.025 kHz
- 0011: 12 kHz
- 0100: 16 kHz
- 0101: 22.05 kHz
- 0110: 24 kHz
- 0111: 32 kHz
- 1000: 44.1 kHz
- 1001: 48 kHz
- 1010: 64 kHz
- 1011: 88.2 kHz
- 1100: 96 kHz
- 1101: 128 kHz
- 1110: 176.4 kHz
- 1111: 192 kHz

NOTE

PFSST, PFSP0, and PFSOUT always output the status when these registers are read.

The other registers do not have clear functions when these are read. To enable these registers, DIR must be powered on. For example, (Register 40h/RXDIS = 0) PFSST indicates *Calculating* and PFSOUT indicates the previous value when no source comes to the port that is selected by Register 37h/PFSTGT.

**Register 39h, Incoming Biphase Information and Sampling Frequency
(Address: 39h, Read-Only)**

DATA	B7	B6	B5	B4	B3	B2	B1	B0
Reg Name	SFSST	SCSBIT1	RSV	RSV	SESOUT3	SESOUT2	SESOUT1	SESOUT0
Default Value	N/A	N/A	N/A	N/A	N/A	N/A	N/A	N/A
Memo								

SFSST: Incoming Biphase Signal, Sampling Frequency Calculate Status

- 0: SFSOUT[3:0] Output is calculated
- 1: In the process of calculating or unlocked

SCSBIT1: Detected Channel Status Bit1 Flag

- 0: CS Bit1 = 0 (Audio data)
- 1: CS Bit1 = 1 (Non-audio data)

SFSOUT[3:0]: Incoming Biphase Signal, Actual Sampling Frequency

- 0000: Out of range
- 0001: 8 kHz
- 0010: 11.025 kHz
- 0011: 12 kHz
- 0100: 16 kHz
- 0101: 22.05 kHz
- 0110: 24 kHz
- 0111: 32 kHz
- 1000: 44.1 kHz
- 1001: 48 kHz
- 1010: 64 kHz
- 1011: 88.2 kHz
- 1100: 96 kHz
- 1101: 128 kHz
- 1110: 176.4 kHz
- 1111: 192 kHz

NOTE

When SFSST becomes '1' (that is, in the process of calculating or unlocked), SFSOUT holds the previous data. SFSST and SFSOUT always output the status when these registers are read. The other registers do not have clear functions when these are read. To enable these registers, DIR must be powered on (Register 40h/RXDIS = 0).

Register 3Ah–3Bh, P_C Buffer (Burst Preamble P_C Output Register)

Address: 3Ah, Read-Only								
DATA	B7	B6	B5	B4	B3	B2	B1	B0
Reg Name	PC7	PC6	PC5	PC4	PC3	PC2	PC1	PC0
Default Value	N/A	N/A	N/A	N/A	N/A	N/A	N/A	N/A
Memo								

Address: 3Bh, Read-Only								
DATA	B7	B6	B5	B4	B3	B2	B1	B0
Reg Name	PC15	PC14	PC13	PC12	PC11	PC10	PC9	PC8
Default Value	N/A	N/A	N/A	N/A	N/A	N/A	N/A	N/A
Memo								

PC[4:0]: Burst Preamble P_C, data type

PC[6:5]: Burst Preamble P_C, reserved

PC7: Burst Preamble P_C, Error

PC[12:8]: Burst Preamble P_C, data type dependent information

PC[15:13]: Burst Preamble P_C, bit stream no.

Read P_C/P_D after ONPCM1/0 goes high by setting MNPCM1 = 1 or MNPCM0 = 1. Polling P_C/P_D [15:0] is not allowed.

Register 3Ch–3Dh, P_D Buffer (Burst Preamble P_D Output Register)

Address: 3Ch, Read-Only								
DATA	B7	B6	B5	B4	B3	B2	B1	B0
Reg Name	PD7	PD6	PD5	PD4	PD3	PD2	PD1	PD0
Default Value	N/A	N/A	N/A	N/A	N/A	N/A	N/A	N/A
Memo								

Address: 3Dh, Read-Only								
DATA	B7	B6	B5	B4	B3	B2	B1	B0
Reg Name	PD15	PD14	PD13	PD12	PD11	PD10	PD9	PD8
Default Value	N/A	N/A	N/A	N/A	N/A	N/A	N/A	N/A
Memo								

PD[15:0]: Burst Preamble P_D, Length Code (Number of bits)

PD[15:0] is updated at the time when PC[15:0] is updated. PD[15:0] is never updated when only PC[15:0] is updated. Register 2Ch/OPCRNW0 or Register 2Dh/OPCRNW1 inform the system that PC[15:0] is updated.

**Register 40h, System Reset Control
(Address: 40h, Write and Read)**

DATA	B7	B6	B5	B4	B3	B2	B1	B0
Reg Name	MRST	SRST	ADDIS	RXDIS	RSV	RSV	TXDIS	XODIS
Default Value	1	1	0	0	0	0	0	0
Memo								

MRST: Mode Control Register Reset for All Functions

- 0: Set default value
- 1: Normal operation (default)

SRST: System Reset for ADC

- 0: Reset
- 1: Normal operation (default)

To return the MRST, SRST bit to '0' is not necessary because the MRST, SRST bit is automatically set to '1'.

ADDIS: Power Down for ADC

- 0: Normal operation (default)
- 1: Power down

SCK must be provided to disable ADC by ADDIS = 1.

RXDIS: Power Down for DIR

- 0: Normal operation (default)
- 1: Power down

TXDIS: Power Down for DIT

- 0: Normal operation (default)
- 1: Power down

XODIS: Power Down for OSC

- 0: Normal operation (default)
- 1: Power down

XODIS is superior to OSCAUTO.

**Register 42h, ADC Function Control 1/3
(Address: 42h, Write and Read)**

DATA	B7	B6	B5	B4	B3	B2	B1	B0
Reg Name	RSV	RSV	ADCKOUT	ADDTRX7	ADFSLMT	ADCLK2	ADCLK1	ADCLK0
Default Value	0	0	0	0	0	0	1	0
Memo								

ADCKOUT: ADC Clock (SCK, BCK, LRCK) Output Select at ADC Power-Down

- 0: Output enable even at ADDIS = 1 (default)
- 1: Output disable at ADDIS = 0

ADDTRX7: ADC Output Data Select to Main Port, DOUT Pin

- 0: DOUT = ADC DOUT (default)
- 1: DOUT = RXIN7 (ADIN0)

This register can select an external ADC data from RXIN7 (ADIN0) to Main Port DOUT pin when an external ADC is used.

ADFSLMT: ADC Sampling Frequency Limiter for DIR Clock Source

- 0: Disable (default)
- 1: Enable

When ADFSMT = 1, ADCLK[2:0] = 001(ADC clock is DIR output clock) and DIR locks at frequency from 14 kHz to 111 kHz, the ADC is forced into power down.

ADCLK[2:0]: ADC Clock Source (SCK/BCK/LRCK) Select

- 000: AUTO (DIR or XTI)
- 001: DIR
- 010: XTI (default)
- 011: AUXIN0
- 100: AUXIN1
- 100: AUXIN2
- 110: Reserved
- 111: Reserved

The ADC clock source must be normally set to XTI source with fixed frequency (the clocks at the XTI source select are generated by the SCK/BCK/LRCK dividers). Its frequency is set by the register of XSCK[1:0], XBCK[1:0], and XLRCK[1:0].).

**Register 46h, ADC L-Ch, Digital ATT Control
(Address: 46h, Write and Read)**

DATA	B7	B6	B5	B4	B3	B2	B1	B0
Reg Name	ADATTL7	ADATTL6	ADATTL5	ADATTL4	ADATTL3	ADATTL2	ADATTL1	ADATTL0
Default Value	1	1	0	1	0	1	1	1
Memo								

ADATTL[7:0]: ADC L-Ch, Digital ATT Setting

1111 1111: +20.0 dB

1111 1110: +19.5 dB

1101 0111: 0 dB (default)

1101 0110: –0.5 dB

0000 1111: –100 dB

Others: Mute

**Register 47h, ADC R-Ch, Digital ATT Control
(Address: 47h, Write and Read)**

DATA	B7	B6	B5	B4	B3	B2	B1	B0
Reg Name	ADATTR7	ADATTR6	ADATTR5	ADATTR4	ADATTR3	ADATTR2	ADATTR1	ADATTR0
Default Value	1	1	0	1	0	1	1	1
Memo								

ADATTR[7:0]: ADC R-Ch, Digital ATT Setting

1111 1111: +20.0 dB

1111 1110: +19.5 dB

1101 0111: 0 dB (default)

1101 0110: –0.5 dB

0000 1111: –100 dB

Others: Mute

**Register 48h, ADC Function Control 2/3
(Address: 48h, Write and Read)**

DATA	B7	B6	B5	B4	B3	B2	B1	B0
Reg Name	RSV	ADIFMD2	ADIFMD1	ADIFMD0	RSV	RSV	ADFMT1	ADFMT0
Default Value	0	0	0	0	0	0	0	0
Memo								

ADIFMD[2:0]: ADC Interface Mode Setting

- 000: Slave mode (default)
- 001: Reserved
- 010: Master mode, $512f_s$
- 011: Reserved
- 100: Master mode, $256f_s$
- 101: Reserved
- 110: Reserved
- 111: Reserved

Master mode settings are available only in ADC standalone mode (MPCSEL[2:0] = '001').

ADFMT[1:0]: ADC Audio I/F Format Setting

- 00: 24-bit I²S (default)
- 01: 24-bit left-justified
- 10: 24-bit right-justified
- 11: 16-bit right-justified

**Register 49h, ADC Function Control 3/3
(Address: 49h, Write and Read)**

DATA	B7	B6	B5	B4	B3	B2	B1	B0
Reg Name	RSV	RSV	RSV	ADZCDD	ADBYP	ADPHSE	ADMUTR	ADMUTL
Default Value	0	0	0	0	0	0	0	0
Memo								

ADZCDD: Zero-Crossing Detection Disable for Digital Attenuation

- 0: Enable (default)
- 1: Disable.

ADBYP: High-Pass Filter Bypass Control

- 0: Normal output, HPF enable (default)
- 1: Bypassed output, HPF disable

ADPHSE: Input Phase Select

- 0: Normal input (default)
- 1: Invert Input

ADMUTR: Soft Mute Control, R-Ch

- 0: Mute disabled (default)
- 1: Mute enabled

ADMUTL: Soft Mute Control, L-Ch

- 0: Mute disabled (default)
- 1: Mute enabled

The mute bits, ADMUTL and ADMUTR, are used to enable or disable the soft mute function for the corresponding ADC outputs, DOUT.

**Register 5Ah–5Fh, DIR Channel Status Data Buffer
(Address : 5Ah–5Fh, Read-Only)**

Address	DATA							
	B7	B6	B5	B4	B3	B2	B1	B0
5Ah	RXCS7	RXCS6	RXCS5	RXCS4	RXCS3	RXCS2	RXCS1	RXCS0
	CS Bit7	CS Bit6	CS Bit5	CS Bit4	CS Bit3	CS Bit2	CS Bit1	CS Bit0
5Bh	RXCS15	RXCS14	RXCS13	RXCS12	RXCS11	RXCS10	RXCS9	RXCS8
	CS Bit15	CS Bit14	CS Bit13	CS Bit12	CS Bit11	CS Bit10	CS Bit9	CS Bit8
5Ch	RXCS23	RXCS22	RXCS21	RXCS20	RXCS19	RXCS18	RXCS17	RXCS16
	CS Bit23	CS Bit22	CS Bit21	CS Bit20	CS Bit19	CS Bit18	CS Bit17	CS Bit16
5Dh	RXCS31	RXCS30	RXCS29	RXCS28	RXCS27	RXCS26	RXCS25	RXCS24
	CS Bit31	CS Bit30	CS Bit29	CS Bit28	CS Bit27	CS Bit26	CS Bit25	CS Bit24
5Eh	RXCS39	RXCS38	RXCS37	RXCS36	RXCS35	RXCS34	RXCS33	RXCS32
	CS Bit39	CS Bit38	CS Bit37	CS Bit36	CS Bit35	CS Bit34	CS Bit33	CS Bit32
5Fh	RXCS47	RXCS46	RXCS45	RXCS44	RXCS43	RXCS42	RXCS41	RXCS40
	CS Bit47	CS Bit46	CS Bit45	CS Bit44	CS Bit43	CS Bit42	CS Bit41	CS Bit40

RXCS0: Use of channel status block

RXCS1: Linear PCM information

RXCS2: Copyright information

RXCS5 – RXCS3: Additional format information

RXCS7– RXCS6: Channel status mode

RXCS15 – RXCS8: Category code

RXCS19 – RXCS16: Source number

RXCS23 – RXCS20: Channel number

RXCS27 – RXCS24: Sampling frequency

RXCS29 – RXCS28: Clock accuracy

RXCS31 – RXCS30: Not defined

RXCS32: Maximum audio sample word length

RXCS35 – RXCS33: Sample word length

RXCS39 – RXCS36: Original sampling frequency

RXCS47 – RXCS40: Not defined

xx of RXCSxx represents the serial number of the channel status data. L-channel data of the channel status is stored in this register. Its default value is not specified. Therefore, wait until the ERROR/INT0 port goes low and 192 samples pass to read RXCS. RXCS is cleared when DIR unlocks and an L-ch parity error is detected.

**Register 60h, DIT Function Control 1/3
(Address: 60h, Write and Read)**

DATA	B7	B6	B5	B4	B3	B2	B1	B0
Reg Name	RSV	TXSSRC2	TXSSRC1	TXSSRC0	RSV	TXPSRC2	TXPSRC1	TXPSRC0
Default Value	0	1	0	0	0	1	0	0
Memo								

TXSSRC[2:0]: DIT System Clock Source Select

- 000: DIR/ADC Automatic (DIR lock = DIR, DIR unlock = ADC)
- 001: DIR
- 010: ADC
- 011: AUXIN0
- 100: AUXIN1 (default)
- 100: AUXIN2
- 110: Reserved
- 111: Reserved

TXPSRC[2:0]: DIT Bit Clock, LR Clock, Data Source Select

- 000: DIR/ADC Automatic (DIR lock = DIR, DIR unlock = ADC)
- 001: DIR
- 010: ADC
- 011: AUXIN0
- 100: AUXIN1 (default)
- 100: AUXIN2
- 110: Reserved
- 111: Reserved

**Register 61h, DIT Function Control 2/3
(Address: 61h, Write and Read)**

DATA	B7	B6	B5	B4	B3	B2	B1	B0
Reg Name	RSV	TXSCL2	TXSCK1	TXSCK0	RSV	TXDSD	TXFMT1	TXFMT0
Default Value	0	0	0	1	0	0	0	0
Memo								

TXSCK[2:0]: DIT System Clock Control

- 000: 128f_S
- 001: 256f_S (default)
- 010: 512f_S
- 011: Reserved
- 100: Controlled by DIR system clock rate
- 100: Controlled by DIR system clock rate
- 110: Controlled by DIR system clock rate
- 111: Controlled by DIR system clock rate

TXDSD: DIT DSD Input Enable

- 0: DSD input disable (default)
- 1: DSD input enable

NOTE

When TXDSD is set to '1', the DIT LR clock is generated by the Bit Clock divided by 64. The DIT source data are forced to all '0's. Provide the DSD source to MPIO_B0 for the system clock (256f_S), MPIO_B1 for the DSD bit clock (64f_S), MPIO_B2 for L-ch data, and MPIO_B3 for R-ch data.

This function is useful when it is desired to suppress system clock jitter by using the path that is DIT to DIR. Jitter of the system clock generated by DIR is also reduced if the jitter is high frequency.

TXFMT[1:0]:DIT Audio I/F Format Setting

- 00: 24-bit I²S (default)
- 01: 24-bit left-justified
- 10: 24-bit right-justified
- 11: 16-bit right-justified

**Register 62h, DIT Function Control 3/3
(Address: 62h, Write and Read)**

DATA	B7	B6	B5	B4	B3	B2	B1	B0
Reg Name	RSV	RSV	TXDMUT	RSV	TXVFLG	RSV	RSV	RSV
Default Value	0	0	0	0	0	0	0	0
Memo								

TXDMUT: DIT Output Audio Data Mute Control

- 0: No mute (default)
- 1: Audio data on biphasic signal is Mute (zero data)

TXVFLG: DIT Output Validity Flag Control

- 0: V = '0', Valid (default)
- 1: V = '1', Invalid

**Register 63h–68h, DIT Channel Status Data Buffer
(Address: 63h–68h, Write and Read)**

Address	DATA							
	B7	B6	B5	B4	B3	B2	B1	B0
63h	TXCS7	TXCS6	TXCS5	TXCS4	TXCS3	TXCS2	TXCS1	TXCS0
	CS Bit7	CS Bit6	CS Bit5	CS Bit4	CS Bit3	CS Bit2	CS Bit1	CS Bit0
64h	TXCS15	TXCS14	TXCS13	TXCS12	TXCS11	TXCS10	TXCS9	TXCS8
	CS Bit15	CS Bit14	CS Bit13	CS Bit12	CS Bit11	CS Bit10	CS Bit9	CS Bit8
65h	TXCS23	TXCS22	TXCS21	TXCS20	TXCS19	TXCS18	TXCS17	TXCS16
	CS Bit23	CS Bit22	CS Bit21	CS Bit20	CS Bit19	CS Bit18	CS Bit17	CS Bit16
66h	TXCS31	TXCS30	TXCS29	TXCS28	TXCS27	TXCS26	TXCS25	TXCS24
	CS Bit31	CS Bit30	CS Bit29	CS Bit28	CS Bit27	CS Bit26	CS Bit25	CS Bit24X
67h	TXCS39	TXCS38	TXCS37	TXCS36	TXCS35	TXCS34	TXCS33	TXCS32
	CS Bit39	CS Bit38	CS Bit37	CS Bit36	CS Bit35	CS Bit34	CS Bit33	CS Bit32
68h	TXCS47	TXCS46	TXCS45	TXCS44	TXCS43	TXCS42	TXCS41	TXCS40
	CS Bit47	CS Bit46	CS Bit45	CS Bit44	CS Bit43	CS Bit42	CS Bit41	CS Bit40

TXCS0: Use of channel status block.

TXCS1: Linear PCM information.

TXCS2: Copyright information.

TXCS5 – TXCS3: Additional format information.

TXCS7 – TXCS6: Channel status mode.

TXCS15 – TXCS8: Category code.

TXCS19 – TXCS16: Source number.

TXCS23 – TXCS20: Channel number.

TXCS27 – TXCS24: Sampling frequency.

TXCS29 - TXCS28: Clock accuracy.

TXCS31 – TXCS30: Not defined.

TXCS32: Maximum audio sample word length.

TXCS35 – TXCS33: Sample word length.

TXCS39 – TXCS36: Original sampling frequency.

TXCS47 – TXCS40: Not defined.

The data in this register are used for both channels (L-ch and R-ch). When these register data are used for the DIT channel status data, a channel status data of bit 48 or later is all '0'. All initial values of this register are all '0'.

**Register 6Ah, Main Output and AUXOUT Port Control
(Address: 6Ah, Write and Read)**

DATA	B7	B6	B5	B4	B3	B2	B1	B0
Reg Name	AOMUTAS	MOMUTAS	RSV	RSV	AOLRMTEN	AODMUT	MOLRMTEN	MODMUT
Default Value	0	0	0	0	0	0	0	0
Memo								

AOMUTAS: AUX Output Port, Mute Synchronization Select (MPIO_B2 and MPIO_B3)

- 0: AODMUT works with synchronization with LRCK edge. (default)
- 1: AODMUT works without synchronization with LRCK edge

MOMUTAS: Main Output Port, Mute Synchronization Select (LRCK and DOUT)

- 0: MODMUT works with synchronization with LRCK edge. (default)
- 1: MODMUT works without synchronization with LRCK edge

AOLRMTEN: AODMUT Signal Select (MPIO_B2)

- 0: Only DOUT (default)
- 1: Both of LRCK and DOUT

AODMUT: AUX Output Port, Data Mute Control

- 0: Output (default)
- 1: Mute (the affected signals are selected by Register 6Ah, AOLRMTEN)

MOLRMTEN : MODMUT signal select

- 0: Only DOUT (default)
- 1: Both LRCK and DOUT

MODMUT: Main Output Port, DOUT Mute Control

- 0: Output (default)
- 1: Mute (the affected signals are selected by Register 6Ah, MOLRMTEN)

Data mutes are done in synchronization with a LRCK edge.

**Register 6Bh, Main Output Port (SCKO/BCK/LRCK/DOUT) Source Setting
(Address: 6Bh, Write and Read)**

DATA	B7	B6	B5	B4	B3	B2	B1	B0
Reg Name	RSV	MOSSRC2	MOSSRC1	MOSSRC0	RSV	MOPSRC2	MOPSRC1	MOPSRC0
Default Value	0	0	0	0	0	0	0	0
Memo								

MOSSRC[2:0]: Main Output Port, SCK Source Control

- 000: DIR/ADC Automatic (DIR lock:DIR, DIR unlock:ADC) (default)
- 001: DIR
- 010: ADC
- 011: AUXIN0
- 100: AUXIN1
- 101: AUXIN2
- 110: Reserved
- 111: Reserved

MOPSRC[2:0]: Main Output Port, BCK/LRCK/DATA Source Control

- 000: DIR/ADC Automatic (DIR lock:DIR, DIR unlock:ADC) (default)
- 001: DIR
- 010: ADC
- 011: AUXIN0
- 100: AUXIN1
- 101: AUXIN2
- 110: Reserved
- 111: Reserved

This source control register is divided into two parts (MOSSRC and MOPSRC). This architecture allows some additional functionality such as jitter cleaning. To clean the clock jitter of the HDMI receiver output, the HDMI receiver S/PDIF output is connected with the PCM9211 S/PDIF input, and the HDMI receiver I²S outputs (BCK/LRCK/DATA) are connected with the PCM9211 PCM input port.

**Register 6Ch, AUX Output Port (AUXSCKO/AUXBCKO/AUXLRCKO/AUXDOUT) Source Setting
(Address: 6Ch, Write and Read)**

DATA	B7	B6	B5	B4	B3	B2	B1	B0
Reg Name	RSV	AOSSRC2	AOSSRC1	AOSSRC0	RSV	AOPSRC2	AOPSRC1	AOPSRC0
Default Value	0	0	0	0	0	0	0	0
Memo								

AOSSRC[2:0]: AUX Output Port, SCK Source Control

- 000: DIR/ADC automatic (DIR lock:DIR, DIR unlock:ADC) (default)
- 001: DIR
- 010: ADC
- 011: AUXIN0
- 100: AUXIN1
- 101: Reserved
- 110: Reserved
- 111: Reserved

AOPSRC[2:0]: AUX Output Port, BCK/LRCK/DATA Source Control

- 000: DIR/ADC automatic (DIR lock:DIR, DIR unlock:ADC) (default)
- 001: DIR
- 010: ADC
- 011: AUXIN0
- 100: AUXIN1
- 101: Reserved
- 110: Reserved
- 111: Reserved

This source control register is divided into two parts (MOSSRC and MOPSRC). This design allows some additional functionality such as jitter cleaning. To clean the clock jitter of the HDMI receiver output, the HDMI receiver S/PDIF output is connected to the PCM9211 S/PDIF input, and the HDMI receiver I²S outputs (BCK/LRCK/DATA) are connected with the PCM9211 PCM input port.

**Register 6Dh, MPIO_B and Main Output Port Hi-Z Control
(Address: 6Dh, Write and Read)**

DATA	B7	B6	B5	B4	B3	B2	B1	B0
Reg Name	MPB3HZ	MPB2HZ	MPB1HZ	MPB0HZ	SCKOHZ	BCKHZ	LRCKHZ	DOUTHZ
Default Value	0	0	0	0	0	0	0	0
Memo								

MPB3HZ: MPIO_B3, Hi-Z Control

- 0: Defined by Group Function Assign register, 6Fh/MPBSEL. (default)
- 1: Hi-Z

MPB2HZ: MPIO_B2, Hi-Z Control

- 0: Defined by Group Function Assign register, 6Fh/MPBSEL. (default)
- 1: Hi-Z

MPB1HZ: MPIO_B1, Hi-Z Control

- 0: Defined by Group Function Assign register, 6Fh/MPBSEL. (default)
- 1: Hi-Z

MPB0HZ: MPIO_B0, Hi-Z Control

- 0: Defined by Group Function Assign register, 6Fh/MPBSEL. (default)
- 1: Hi-Z

SCKOHZ: Main Output Port, SCKO Hi-Z Control

- 0: Output (default)
- 1: Hi-Z

BCKHZ: Main Output Port, BCKO Hi-Z Control

- 0: Output (default)
- 1: Hi-Z

LRCKHZ: Main Output Port, LRCKO Hi-Z Control

- 0: Output (default)
- 1: Hi-Z

DOUTHZ: Main Output Port, DOUT Hi-Z Control

- 0: Output (default)
- 1: Hi-Z

**Register 6Eh, MPIO_C and MPIO_A Hi-Z Control
(Address: 6Eh, Write and Read)**

DATA	B7	B6	B5	B4	B3	B2	B1	B0
Reg Name	MPC3HZ	MPC2HZ	MPC1HZ	MPC0HZ	MPA3HZ	MPA2HZ	MPA1HZ	MPA0HZ
Default Value	0	0	0	0	1	1	1	1
Memo								

MPC3HZ: MPIO_C3, Hi-Z Control

- 0: Defined by Group Function Assign register, 6Fh/MPCSEL. (default)
- 1: Hi-Z

MPC2HZ: MPIO_C2, Hi-Z Control

- 0: Defined by Group Function Assign register, 6Fh/MPCSEL. (default)
- 1: Hi-Z

MPC1HZ: MPIO_C1, Hi-Z Control

- 0: Defined by Group Function Assign register, 6Fh/MPCSEL. (default)
- 1: Hi-Z

MPC0HZ: MPIO_C0, Hi-Z Control

- 0: Defined by Group Function Assign register, 6Fh/MPCSEL. (default)
- 1: Hi-Z

MPA3HZ:M PIO_A3, Hi-Z Control

- 0: Defined by Group Function Assign register, 6Fh/MPASEL.
- 1: Hi-Z (default)

MPA2HZ:M PIO_A2, Hi-Z Control

- 0: Defined by Group Function Assign register, 6Fh/MPASEL.
- 1: Hi-Z (default)

MPA1HZ:M PIO_A1, Hi-Z Control

- 0: Defined by Group Function Assign register, 6Fh/MPASEL.
- 1: Hi-Z (default)

MPA0HZ:M PIO_A0, Hi-Z Control

- 0: Defined by Group Function Assign register, 6Fh/MPASEL.
- 1: Hi-Z (default)

NOTE

In multi-channel PCM mode, the MCHR and MPAXHz registers (20h) must be set to '0' to get the outputs from the main port.

**Register 6Fh, MPIO_A, MPIO_B, MPIO_C Group Function Assign
(Address: 6Fh, Write and Read)**

DATA	B7	B6	B5	B4	B3	B2	B1	B0
Reg Name	MPASEL1	MPASEL0	MPBSEL2	MPBSEL1	MPBSEL0	MPCSEL2	MPCSEL1	MPCSEL0
Default Value	0	1	0	0	0	0	0	0
Memo								

MPASEL[1:0]: MPIO_A Group Function Assign Setting

- 00: Biphase Input Extension (RXIN8 to RXIN11)
- 01: CLKST Output, VOUT Output, XMCKO Output, INT0 Output (default)
- 10: Secondary BCK/LRCK Output, XMCKO Output, INT0 Output
- 11: DIR Flags Output or GPIO (Selected by MPA3SEL, MPA2SEL, MPA1SEL, MPA0SEL)

MPBSEL[2:0]: MPIO_B Group Function Assign Setting

- 000: AUXIN2 (default)
- 001: AUXOUT
- 010: Sampling Frequency Calculated Result: FSOUT[3:0]
- 011: DIR Flags Output or GPIO (Selected by MPB3SEL, MPB2SEL, MPB1SEL, MPB0SEL)
- 100: DIR BCUV OUT, BFRAME/VOUT/UOUT/COU
- 101: External Slave ADC Input (Clocks: Out, Data: In, EASCKO/EABCKO/EALRCKO/EADIN)
- 110: Reserved
- 111: Test Mode

MPCSEL[2:0]: MPIO_C Group Function Assign Setting

- 000: AUXIN1 (default)
- 001: ADC Standalone Operation, Clock, and Data I/O, ADSCK/ADBCK/ADLRCK/ADDOUT
- 010: Sampling Frequency Calculated Result: FSOUT[3:0]
- 011: DIR Flags Output or GPIO (Selected by MPC3SEL, MPC2SEL, MPC1SEL, MPC0SEL)
- 100: DIR BCUV OUT, BFRAME/VOUT/UOUT/COU
- 101: DIT Standalone Operation, Clock, and Data I/O, TXSCK/TXBCK/TXLRCK/TXDIN
- 110: Reserved
- 111: Reserved

**Register 70h, MPIO_A Flags or GPIO Assign Setting
(Address: 70h, Write and Read)**

DATA	B7	B6	B5	B4	B3	B2	B1	B0
Reg Name	RSV	RSV	MCHRSRC1	MCHRSRC0	MPA3SEL	MPA2SEL	MPA1SEL	MPA0SEL
Default Value	0	0	0	0	0	0	0	0
Memo								

MCHRSRC: AUX Output Port, SCK Source Control

- 00: See [Table 29](#), Multi-Channel PCM Routing (default)
- 01: See [Table 29](#), Multi-Channel PCM Routing
- 10: See [Table 29](#), Multi-Channel PCM Routing
- 11: See [Table 29](#), Multi-Channel PCM Routing

MPA3SEL: MPIO_A3 Pin Function, DIR Flags or GPIO Select

- 0: DIR Flags, set by MPA3FLG[3:0] (default)
- 1: GPIO, set by GIOA3DIR/GPOA3/GPIA3

MPA2SEL: MPIO_A2 Pin Function, DIR Flags or GPIO Select

- 0: DIR Flags, set by MPA2FLG[3:0] (default)
- 1: GPIO, set by GIOA2DIR/GPOA2/GPIA2

MPA1SEL: MPIO_A1 Pin Function, DIR Flags or GPIO Select

- 0: DIR Flags, set by MPA1FLG[3:0] (default)
- 1: GPIO, set by GIOA1DIR/GPOA1/GPIA1

MPA0SEL: MPIO_A0 Pin Function, DIR Flags or GPIO Select

- 0: DIR Flags, set by MPA0FLG[3:0] (default)
- 1: GPIO, set by GIOA0DIR/GPOA0/GPIA0

**Register 71h, MPIO_B, MPIO_C Flags or GPIO Assign Setting
(Address: 71h, Write and Read)**

DATA	B7	B6	B5	B4	B3	B2	B1	B0
Reg Name	MPB3SEL	MPB2SEL	MPB1SEL	MPB0SEL	MPC3SEL	MPC2SEL	MPC1SEL	MPC0SEL
Default Value	0	0	0	0	0	0	0	0
Memo								

MPB3SEL: MPIO_B3 Pin Function, DIR Flags or GPIO Select

- 0: DIR Flags, set by MPB3FLG[3:0] (default)
- 1: GPIO, set by GIOB3DIR/GPOB3/GPIB3

MPB2SEL: MPIO_B2 Pin Function, DIR Flags or GPIO Select

- 0: DIR Flags, set by MPB2FLG[3:0] (default)
- 1: GPIO, set by GIOB2DIR/GPOB2/GPIB2

MPB1SEL: MPIO_B1 Pin Function, DIR Flags or GPIO Select

- 0: DIR Flags, set by MPB1FLG[3:0] (default)
- 1: GPIO, set by GIOB1DIR/GPOB1/GPIB1

MPB0SEL: MPIO_B0 Pin Function, DIR Flags or GPIO Select

- 0: DIR Flags, set by MPB0FLG[3:0] (default)
- 1: GPIO, set by GIOB0DIR/GPOB0/GPIB0

MPC3SEL: MPIO_C3 Pin Function, DIR Flags or GPIO Select

- 0: DIR Flags, set by MPC3FLG[3:0] (default)
- 1: GPIO, set by GIOC3DIR/GPOC3/GPIC3

MPC2SEL: MPIO_C2 Pin Function, DIR Flags or GPIO Select

- 0: DIR Flags, set by MPC2FLG[3:0] (default)
- 1: GPIO, set by GIOC2DIR/GPOC2/GPIC2

MPC1SEL: MPIO_C1 Pin Function, DIR Flags or GPIO Select

- 0: DIR Flags, set by MPC1FLG[3:0] (default)
- 1: GPIO, set by GIOC1DIR/GPOC1/GPIC1

MPC0SEL: MPIO_C0 Pin Function, DIR Flags or GPIO Select

- 0: DIR Flags, set by MPC0FLG[3:0] (default)
- 1: GPIO, set by GIOC0DIR/GPOC0/GPIC0

**Register 72h, MPIO_A1, MPIO_A0 Output Flag Select
(Address: 72h, Write and Read)**

DATA	B7	B6	B5	B4	B3	B2	B1	B0
Reg Name	MPA1FLG3	MPA1FLG2	MPA1FLG1	MPA1FLG0	MPA0FLG3	MPA0FLG2	MPA0FLG1	MPA0FLG0
Default Value	0	0	0	0	0	0	0	0
Memo								

MPA1FLG[3:0]: MPIO_A1 Pin, Flag Select

0000: CLKST (default)
 0001: EMPH
 0010: BPSYNC
 0011: DTSCD
 0100: PARITY
 0101: LOCK
 0110: VOUT
 0111: UOUT
 1000: COUT
 1001: BFRAME
 1010: FSOUT0
 1011: FSOUT1
 1100: FSOUT2
 1101: FSOUT3
 1110: INT0
 1111: INT1

MPA0FLG[3:0]: MPIO_A0 Pin, Flag Select

0000: CLKST (default)
 0001: EMPH
 0010: BPSYNC
 0011: DTSCD
 0100: PARITY
 0101: LOCK
 0110: VOUT
 0111: UOUT
 1000: COUT
 1001: BFRAME
 1010: FSOUT0
 1011: FSOUT1
 1100: FSOUT2
 1101: FSOUT3
 1110: INT0
 1111: INT1

These register settings are effective only at MPASEL[1:0] = '11', MPA3SEL = '0', and MPA2SEL = '0'.

**Register 73h, MPIO_A3, MPIO_A0 Output Flag Select
(Address: 73h, Write and Read)**

DATA	B7	B6	B5	B4	B3	B2	B1	B0
Reg Name	MPA3FLG3	MPA3FLG2	MPA3FLG1	MPA3FLG0	MPA2FLG3	MPA2FLG2	MPA2FLG1	MPA2FLG0
Default Value	0	0	0	0	0	0	0	0
Memo								

MPA3FLG[3:0]: MPIO_A3 Pin, Flag Select

0000: CLKST (default)
 0001: EMPH
 0010: BPSYNC
 0011: DTSCD
 0100: PARITY
 0101: LOCK
 0110: VOUT
 0111: UOUT
 1000: COUT
 1001: BFRAME
 1010: FSOUT0
 1011: FSOUT1
 1100: FSOUT2
 1101: FSOUT3
 1110: INT0
 1111: INT1

MPA2FLG[3:0]: MPIO_A2 Pin, Flag Select

0000: CLKST (default)
 0001: EMPH
 0010: BPSYNC
 0011: DTSCD
 0100: PARITY
 0101: LOCK
 0110: VOUT
 0111: UOUT
 1000: COUT
 1001: BFRAME
 1010: FSOUT0
 1011: FSOUT1
 1100: FSOUT2
 1101: FSOUT3
 1110: INT0
 1111: INT1

These register settings are effective only at MPASEL[1:0] = '11', MPA3SEL = '0', and MPA2SEL = '0'.

**Register 74h, MPIO_B1, MPIO_B0 Output Flag Select
(Address: 74h, Write and Read)**

DATA	B7	B6	B5	B4	B3	B2	B1	B0
Reg Name	MPB1FLG3	MPB1FLG2	MPB1FLG1	MPB1FLG0	MPB0FLG3	MPB0FLG2	MPB0FLG1	MPB0FLG0
Default Value	0	0	0	0	0	0	0	0
Memo								

MPB1FLG[3:0]: MPIO_B1 Pin, Flag Select

0000: CLKST (default)
 0001: EMPH
 0010: BPSYNC
 0011: DTSCD
 0100: PARITY
 0101: LOCK
 0110: VOUT
 0111: UOUT
 1000: COUT
 1001: BFRAME
 1010: FSOUT0
 1011: FSOUT1
 1100: FSOUT2
 1101: FSOUT3
 1110: INT0
 1111: INT1

MPB0FLG[3:0]: MPIO_B0 Pin, Flag Select

0000: CLKST (default)
 0001: EMPH
 0010: BPSYNC
 0011: DTSCD
 0100: PARITY
 0101: LOCK
 0110: VOUT
 0111: UOUT
 1000: COUT
 1001: BFRAME
 1010: FSOUT0
 1011: FSOUT1
 1100: FSOUT2
 1101: FSOUT3
 1110: INT0
 1111: INT1

These register settings are effective only at MPBSEL[2:0] = '011', MPB1SEL = '0', and MPB0SEL = '0'.

**Register 75h, MPIO_B3, MPIO_B2 Output Flag Select
(Address: 75h, Write and Read)**

DATA	B7	B6	B5	B4	B3	B2	B1	B0
Reg Name	MPB3FLG3	MPB3FLG2	MPB3FLG1	MPB3FLG0	MPB2FLG3	MPB2FLG2	MPB2FLG1	MPB2FLG0
Default Value	0	0	0	0	0	0	0	0
Memo								

MPB3FLG[3:0]: MPIO_B3 Pin, Flag Select

0000: CLKST (default)
 0001: EMPH
 0010: BPSYNC
 0011: DTSCD
 0100: PARITY
 0101: LOCK
 0110: VOUT
 0111: UOUT
 1000: COUT
 1001: BFRAME
 1010: FSOUT0
 1011: FSOUT1
 1100: FSOUT2
 1101: FSOUT3
 1110: INT0
 1111: INT1

MPB2FLG[3:0]: MPIO_B2 Pin, Flag Select

0000: CLKST (default)
 0001: EMPH
 0010: BPSYNC
 0011: DTSCD
 0100: PARITY
 0101: LOCK
 0110: VOUT
 0111: UOUT
 1000: COUT
 1001: BFRAME
 1010: FSOUT0
 1011: FSOUT1
 1100: FSOUT2
 1101: FSOUT3
 1110: INT0
 1111: INT1

These register settings are effective only at MPBSEL[2:0] = '011', MPB3SEL = '0', and MPB2SEL = '0'.

**Register 76h, MPIO_C1, MPIO_C0 Output Flag Select
(Address: 76h, Write and Read)**

DATA	B7	B6	B5	B4	B3	B2	B1	B0
Reg Name	MPC1FLG3	MPC1FLG2	MPC1FLG1	MPC1FLG0	MPC0FLG3	MPC0FLG2	MPC0FLG1	MPC0FLG0
Default Value	0	0	0	0	0	0	0	0
Memo								

MPC1FLG[3:0]: MPIO_C1 Pin, Flag Select

0000: CLKST (default)
 0001: EMPH
 0010: BPSYNC
 0011: DTSCD
 0100: PARITY
 0101: LOCK
 0110: VOUT
 0111: UOUT
 1000: COUT
 1001: BFRAME
 1010: FSOUT0
 1011: FSOUT1
 1100: FSOUT2
 1101: FSOUT3
 1110: INT0
 1111: INT1

MPC0FLG[3:0]: MPIO_C0 Pin, Flag Select

0000: CLKST (default)
 0001: EMPH
 0010: BPSYNC
 0011: DTSCD
 0100: PARITY
 0101: LOCK
 0110: VOUT
 0111: UOUT
 1000: COUT
 1001: BFRAME
 1010: FSOUT0
 1011: FSOUT1
 1100: FSOUT2
 1101: FSOUT3
 1110: INT0
 1111: INT1

These register settings are effective only at MPCSEL[2:0] = '011', MPC1SEL = '0', and MPC0SEL = '0'.

**Register 77h, MPIO_C3, MPIO_C2 Output Flag Select
(Address: 77h, Write and Read)**

DATA	B7	B6	B5	B4	B3	B2	B1	B0
Reg Name	MPC3FLG3	MPC3FLG2	MPC3FLG1	MPC3FLG0	MPC2FLG3	MPC2FLG2	MPC2FLG1	MPC2FLG0
Default Value	0	0	0	0	0	0	0	0
Memo								

MPC3FLG[3:0]: MPIO_C3 Pin, Flag Select

0000: CLKST (default)
 0001: EMPH
 0010: BPSYNC
 0011: DTSCD
 0100: PARITY
 0101: LOCK
 0110: VOUT
 0111: UOUT
 1000: COUT
 1001: BFRAME
 1010: FSOUT0
 1011: FSOUT1
 1100: FSOUT2
 1101: FSOUT3
 1110: INT0
 1111: INT1

MPC2FLG[3:0]: MPIO_C2 Pin, Flag Select

0000: CLKST (default)
 0001: EMPH
 0010: BPSYNC
 0011: DTSCD
 0100: PARITY
 0101: LOCK
 0110: VOUT
 0111: UOUT
 1000: COUT
 1001: BFRAME
 1010: FSOUT0
 1011: FSOUT1
 1100: FSOUT2
 1101: FSOUT3
 1110: INT0
 1111: INT1

These register settings are effective only at MPCSEL[2:0] = '011', MPC3SEL = '0', and MPC2SEL = '0'.

**Register 78h, MPO1, MPO0 Function Assign Setting
(Address: 78h, Write and Read)**

DATA	B7	B6	B5	B4	B3	B2	B1	B0
Reg Name	MPO1SEL3	MPO1SEL2	MPO1SEL1	MPO1SEL0	MPO0SEL3	MPO0SEL2	MPO0SEL1	MPO0SEL0
Default Value	0	0	1	1	1	1	0	1
Memo								

MPO1SEL[3:0]: MPO1 Pin, Output Control

0000: Hi-Z
 0001: GPO, Output data = High level
 0010: GPO, Output data = Low level
 0011: VOUT (default)
 0100: INT0
 0101: INT1
 0110: CLKST
 0111: EMPH
 1000: BPSYNC
 1001: DTSCD
 1010: PARITY
 1011: LOCK
 1100: XMCKO
 1101: TXOUT
 1110: RECOUT0
 1111: RECOUT1

MPO0SEL[3:0]: MPO0 Pin, Output Control

0000: Hi-Z
 0001: GPO, Output data = High level
 0010: GPO, Output data = Low level
 0011: VOUT
 0100: INT0
 0101: INT1
 0110: CLKST
 0111: EMPH
 1000: BPSYNC
 1001: DTSCD
 1010: PARITY
 1011: LOCK
 1100: XMCKO
 1101: TXOUT (default)
 1110: RECOUT0
 1111: RECOUT1

**Register 79h, GPIO I/O Direction Control for MPIO_A, MPIO_B
(Address: 79h, Write and Read)**

DATA	B7	B6	B5	B4	B3	B2	B1	B0
Reg Name	GIOB3DIR	GIOB2DIR	GIOB1DIR	GIOB0DIR	GIOA3DIR	GIOA2DIR	GIOA1DIR	GIOA0DIR
Default Value	0	0	0	0	0	0	0	0
Memo								

GIOB3DIR: MPIO_B3 Pin, GPIO I/O Direction Control

0: Input (default)

1: Output

GIOB2DIR: MPIO_B2 Pin, GPIO I/O Direction Control

0: Input (default)

1: Output

GIOB1DIR: MPIO_B1 Pin, GPIO I/O Direction Control

0: Input (default)

1: Output

GIOB0DIR: MPIO_B0 Pin, GPIO I/O Direction Control

0: Input (default)

1: Output

GIOA3DIR: MPIO_A3 Pin Function, GPIO I/O Direction Control

0: Input (default)

1: Output

GIOA2DIR: MPIO_A2 Pin Function, GPIO I/O Direction Control

0: Input (default)

1: Output

GIOA1DIR: MPIO_A1 Pin Function, GPIO I/O Direction Control

0: Input (default)

1: Output

GIOA0DIR: MPIO_A0 Pin Function, GPIO I/O Direction Control

0: Input (default)

1: Output

These registers are effective only at MPIO_A and MPIO_B assigned as GPIO. I/O direction setting is available by pin.

**Register 7Ah, GPIO I/O Direction Control for MPIO_C
(Address: 7Ah, Write and Read)**

DATA	B7	B6	B5	B4	B3	B2	B1	B0
Reg Name	RSV	RSV	RSV	RSV	GIOC3DIR	GIOC2DIR	GIOC1DIR	GIOC0DIR
Default Value	0	0	0	0	0	0	0	0
Memo								

GIOC3DIR: MPIO_C3 Pin, GPIO I/O Direction Control

0: Input (default)

1: Output

GIOC2DIR: MPIO_C2 Pin, GPIO I/O Direction Control

0: Input (default)

1: Output

GIOC1DIR: MPIO_C1 Pin, GPIO I/O Direction Control

0: Input (default)

1: Output

GIOC0DIR: MPIO_C0 Pin, GPIO I/O Direction Control

0: Input (default)

1: Output

These registers are effective only at MPIO_C assigned as GPIO. I/O direction setting is available by pin.

**Register 7Bh, GPIO Output Data Setting for MPIO_A, MPIO_B
(Address: 7Bh, Write and Read)**

DATA	B7	B6	B5	B4	B3	B2	B1	B0
Reg Name	GPOB3	GPOB2	GPOB1	GPOB0	GPOA3	GPOA2	GPOA1	GPOA0
Default Value	0	0	0	0	0	0	0	0
Memo								

GPOB3: MPIO_B3 Pin, GPIO Output Data Setting

- 0: Output low level (default)
- 1: Output high level

GPOB2: MPIO_B2 Pin, GPIO Output Data Setting

- 0: Output low level (default)
- 1: Output high level

GPOB1: MPIO_B1 Pin, GPIO Output Data Setting

- 0: Output low level (default)
- 1: Output high level

GPOB0: MPIO_B0 Pin, GPIO Output Data Setting

- 0: Output low level (default)
- 1: Output high level

GPOA3: MPIO_A3 Pin, GPIO Output Data Setting

- 0: Output low level (default)
- 1: Output high level

GPOA2: MPIO_A2 Pin, GPIO Output Data Setting

- 0: Output low level (default)
- 1: Output high level

GPOA1: MPIO_A1 Pin, GPIO Output Data Setting

- 0: Output low level (default)
- 1: Output high level

GPOA0: MPIO_A0 Pin, GPIO Output Data Setting

- 0: Output low level (default)
- 1: Output high level

These registers are effective only as GPIOs are assigned to output.

**Register 7Ch, GPIO Output Data Setting for MPIO_C
(Address: 7Ch, Write and Read)**

DATA	B7	B6	B5	B4	B3	B2	B1	B0
Reg Name	RSV	RSV	RSV	RSV	GPOC3	GPOC2	GPOC1	GPOC0
Default Value	0	0	0	0	0	0	0	0
Memo								

GPOC3: MPIO_C3 Pin, GPIO Output Data Setting

0: Output low level (default)

1: Output high level

GPOC2: MPIO_C2 Pin, GPIO Output Data Setting

0: Output low level (default)

1: Output high level

GPOC1: MPIO_C1 Pin, GPIO Output Data Setting

0: Output low level (default)

1: Output high level

GPOC0: MPIO_C0 Pin, GPIO Output Data Setting

0: Output low level (default)

1: Output high level

These registers are effective only as GPIOs are assigned to output.

**Register 7Dh, GPIO Input Data Register for MPIO_A, MPIO_B
(Address: 7Dh, Read-Only)**

DATA	B7	B6	B5	B4	B3	B2	B1	B0
Reg Name	GPIB3	GPIB2	GPIB1	GPIB0	GPIA3	GPIA2	GPIA1	GPIA0
Default Value	N/A	N/A	N/A	N/A	N/A	N/A	N/A	N/A
Memo								

GPIB3: MPIO_B3 Pin, GPIO Input Data

0: Detect low level

1: Detect high level

GPIB2: MPIO_B2 Pin, GPIO Input Data

0: Detect low level

1: Detect high level

GPIB1: MPIO_B1 Pin, GPIO Input Data

0: Detect low level

1: Detect high level

GPIB0: MPIO_B0 Pin, GPIO Input Data

0: Detect low level

1: Detect high level

GPIA3: MPIO_A3 Pin, GPIO Input Data

0: Detect low level

1: Detect high level

GPIA2: MPIO_A2 Pin, GPIO Input Data

0: Detect low level

1: Detect high level

GPIA1: MPIO_A1 Pin, GPIO Input Data

0: Detect low level

1: Detect high level

GPIA0: MPIO_A0 Pin, GPIO Input Data

0: Detect low level

1: Detect high level

**Register 7Eh, GPIO Input Data Register for MPIO_C
(Address: 7Eh, Read-Only)**

DATA	B7	B6	B5	B4	B3	B2	B1	B0
Reg Name	RSV	RSV	RSV	RSV	GPIC3	GPIC2	GPIC1	GPIC0
Default Value	N/A	N/A	N/A	N/A	N/A	N/A	N/A	N/A
Memo								

GPIC3: MPIO_C3 Pin, GPIO Input Data

0: Detect low level

1: Detect high level

GPIC2: MPIO_C2 Pin, GPIO Input Data

0: Detect low level

1: Detect high level

GPIC1: MPIO_C1 Pin, GPIO Input Data

0: Detect low level

1: Detect high level

GPIC0: MPIO_C0 Pin, GPIO Input Data

0: Detect low level

1: Detect high level

PACKAGING INFORMATION

Orderable Device	Status (1)	Package Type	Package Drawing	Pins	Package Qty	Eco Plan (2)	Lead/Ball Finish	MSL Peak Temp (3)	Op Temp (°C)	Top-Side Markings (4)	Samples
PCM9211PT	ACTIVE	LQFP	PT	48	250	Green (RoHS & no Sb/Br)	CU NIPDAU	Level-1-260C-UNLIM	-40 to 85	PCM9211	Samples
PCM9211PTR	ACTIVE	LQFP	PT	48	1000	Green (RoHS & no Sb/Br)	CU NIPDAU	Level-1-260C-UNLIM	-40 to 85	PCM9211	Samples

(1) The marketing status values are defined as follows:

ACTIVE: Product device recommended for new designs.

LIFEBUY: TI has announced that the device will be discontinued, and a lifetime-buy period is in effect.

NRND: Not recommended for new designs. Device is in production to support existing customers, but TI does not recommend using this part in a new design.

PREVIEW: Device has been announced but is not in production. Samples may or may not be available.

OBSOLETE: TI has discontinued the production of the device.

(2) Eco Plan - The planned eco-friendly classification: Pb-Free (RoHS), Pb-Free (RoHS Exempt), or Green (RoHS & no Sb/Br) - please check <http://www.ti.com/productcontent> for the latest availability information and additional product content details.

TBD: The Pb-Free/Green conversion plan has not been defined.

Pb-Free (RoHS): TI's terms "Lead-Free" or "Pb-Free" mean semiconductor products that are compatible with the current RoHS requirements for all 6 substances, including the requirement that lead not exceed 0.1% by weight in homogeneous materials. Where designed to be soldered at high temperatures, TI Pb-Free products are suitable for use in specified lead-free processes.

Pb-Free (RoHS Exempt): This component has a RoHS exemption for either 1) lead-based flip-chip solder bumps used between the die and package, or 2) lead-based die adhesive used between the die and leadframe. The component is otherwise considered Pb-Free (RoHS compatible) as defined above.

Green (RoHS & no Sb/Br): TI defines "Green" to mean Pb-Free (RoHS compatible), and free of Bromine (Br) and Antimony (Sb) based flame retardants (Br or Sb do not exceed 0.1% by weight in homogeneous material)

(3) MSL, Peak Temp. -- The Moisture Sensitivity Level rating according to the JEDEC industry standard classifications, and peak solder temperature.

(4) Only one of markings shown within the brackets will appear on the physical device.

Important Information and Disclaimer: The information provided on this page represents TI's knowledge and belief as of the date that it is provided. TI bases its knowledge and belief on information provided by third parties, and makes no representation or warranty as to the accuracy of such information. Efforts are underway to better integrate information from third parties. TI has taken and continues to take reasonable steps to provide representative and accurate information but may not have conducted destructive testing or chemical analysis on incoming materials and chemicals. TI and TI suppliers consider certain information to be proprietary, and thus CAS numbers and other limited information may not be available for release.

In no event shall TI's liability arising out of such information exceed the total purchase price of the TI part(s) at issue in this document sold by TI to Customer on an annual basis.

TAPE AND REEL INFORMATION



QUADRANT ASSIGNMENTS FOR PIN 1 ORIENTATION IN TAPE



*All dimensions are nominal

Device	Package Type	Package Drawing	Pins	SPQ	Reel Diameter (mm)	Reel Width W1 (mm)	A0 (mm)	B0 (mm)	K0 (mm)	P1 (mm)	W (mm)	Pin1 Quadrant
PCM9211PTR	LQFP	PT	48	1000	330.0	16.4	9.6	9.6	1.9	12.0	16.0	Q2

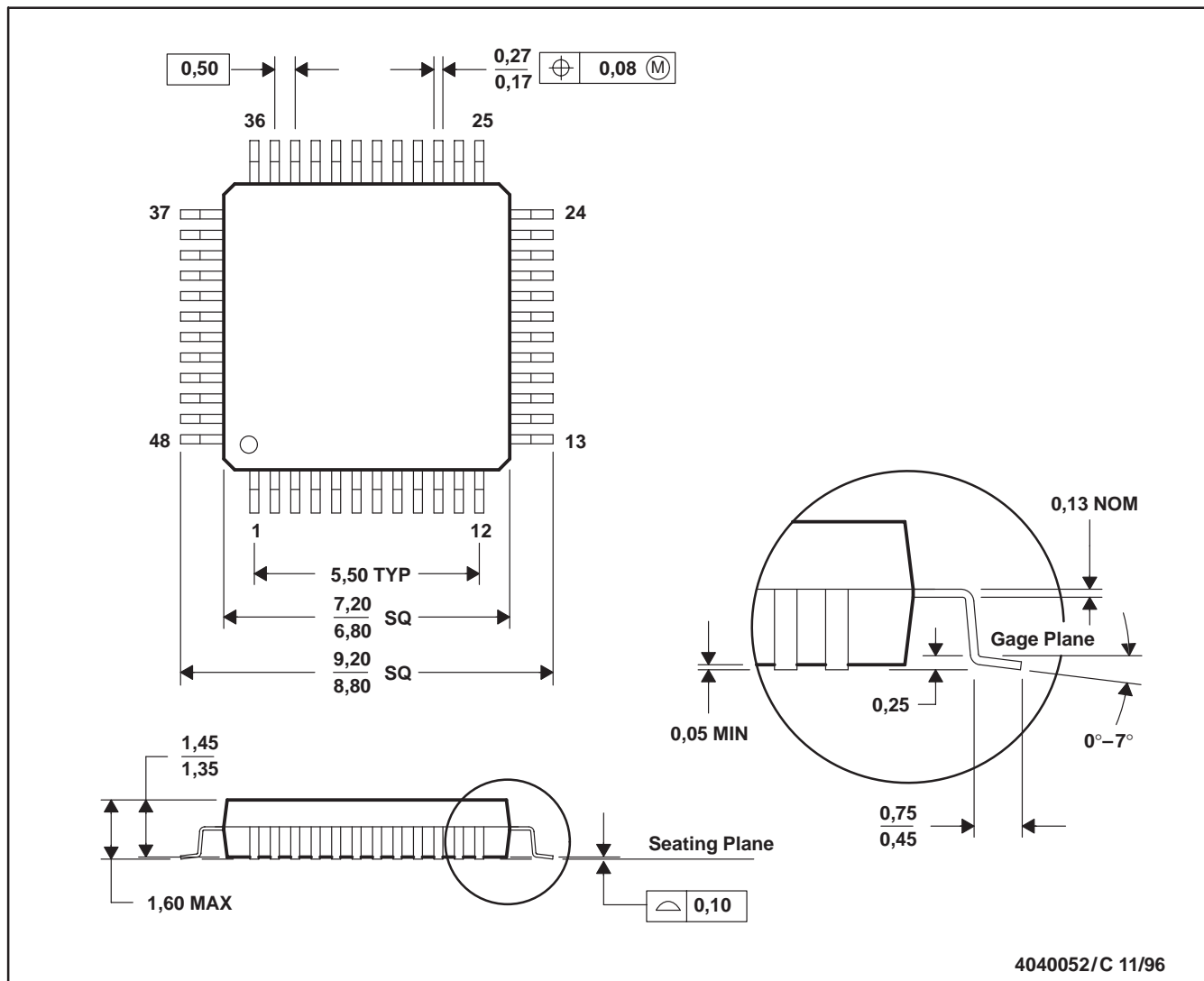
TAPE AND REEL BOX DIMENSIONS


*All dimensions are nominal

Device	Package Type	Package Drawing	Pins	SPQ	Length (mm)	Width (mm)	Height (mm)
PCM9211PTR	LQFP	PT	48	1000	367.0	367.0	38.0

PT (S-PQFP-G48)

PLASTIC QUAD FLATPACK



- NOTES: A. All linear dimensions are in millimeters.
 B. This drawing is subject to change without notice.
 C. Falls within JEDEC MS-026
 D. This may also be a thermally enhanced plastic package with leads connected to the die pads.

IMPORTANT NOTICE

Texas Instruments Incorporated and its subsidiaries (TI) reserve the right to make corrections, enhancements, improvements and other changes to its semiconductor products and services per JESD46, latest issue, and to discontinue any product or service per JESD48, latest issue. Buyers should obtain the latest relevant information before placing orders and should verify that such information is current and complete. All semiconductor products (also referred to herein as "components") are sold subject to TI's terms and conditions of sale supplied at the time of order acknowledgment.

TI warrants performance of its components to the specifications applicable at the time of sale, in accordance with the warranty in TI's terms and conditions of sale of semiconductor products. Testing and other quality control techniques are used to the extent TI deems necessary to support this warranty. Except where mandated by applicable law, testing of all parameters of each component is not necessarily performed.

TI assumes no liability for applications assistance or the design of Buyers' products. Buyers are responsible for their products and applications using TI components. To minimize the risks associated with Buyers' products and applications, Buyers should provide adequate design and operating safeguards.

TI does not warrant or represent that any license, either express or implied, is granted under any patent right, copyright, mask work right, or other intellectual property right relating to any combination, machine, or process in which TI components or services are used. Information published by TI regarding third-party products or services does not constitute a license to use such products or services or a warranty or endorsement thereof. Use of such information may require a license from a third party under the patents or other intellectual property of the third party, or a license from TI under the patents or other intellectual property of TI.

Reproduction of significant portions of TI information in TI data books or data sheets is permissible only if reproduction is without alteration and is accompanied by all associated warranties, conditions, limitations, and notices. TI is not responsible or liable for such altered documentation. Information of third parties may be subject to additional restrictions.

Resale of TI components or services with statements different from or beyond the parameters stated by TI for that component or service voids all express and any implied warranties for the associated TI component or service and is an unfair and deceptive business practice. TI is not responsible or liable for any such statements.

Buyer acknowledges and agrees that it is solely responsible for compliance with all legal, regulatory and safety-related requirements concerning its products, and any use of TI components in its applications, notwithstanding any applications-related information or support that may be provided by TI. Buyer represents and agrees that it has all the necessary expertise to create and implement safeguards which anticipate dangerous consequences of failures, monitor failures and their consequences, lessen the likelihood of failures that might cause harm and take appropriate remedial actions. Buyer will fully indemnify TI and its representatives against any damages arising out of the use of any TI components in safety-critical applications.

In some cases, TI components may be promoted specifically to facilitate safety-related applications. With such components, TI's goal is to help enable customers to design and create their own end-product solutions that meet applicable functional safety standards and requirements. Nonetheless, such components are subject to these terms.

No TI components are authorized for use in FDA Class III (or similar life-critical medical equipment) unless authorized officers of the parties have executed a special agreement specifically governing such use.

Only those TI components which TI has specifically designated as military grade or "enhanced plastic" are designed and intended for use in military/aerospace applications or environments. Buyer acknowledges and agrees that any military or aerospace use of TI components which have **not** been so designated is solely at the Buyer's risk, and that Buyer is solely responsible for compliance with all legal and regulatory requirements in connection with such use.

TI has specifically designated certain components as meeting ISO/TS16949 requirements, mainly for automotive use. In any case of use of non-designated products, TI will not be responsible for any failure to meet ISO/TS16949.

Products

Audio	www.ti.com/audio
Amplifiers	amplifier.ti.com
Data Converters	dataconverter.ti.com
DLP® Products	www.dlp.com
DSP	dsp.ti.com
Clocks and Timers	www.ti.com/clocks
Interface	interface.ti.com
Logic	logic.ti.com
Power Mgmt	power.ti.com
Microcontrollers	microcontroller.ti.com
RFID	www.ti-rfid.com
OMAP Applications Processors	www.ti.com/omap
Wireless Connectivity	www.ti.com/wirelessconnectivity

Applications

Automotive and Transportation	www.ti.com/automotive
Communications and Telecom	www.ti.com/communications
Computers and Peripherals	www.ti.com/computers
Consumer Electronics	www.ti.com/consumer-apps
Energy and Lighting	www.ti.com/energy
Industrial	www.ti.com/industrial
Medical	www.ti.com/medical
Security	www.ti.com/security
Space, Avionics and Defense	www.ti.com/space-avionics-defense
Video and Imaging	www.ti.com/video

TI E2E Community

e2e.ti.com