

Low Power Digital Temperature Sensor With SMBus™/Two-Wire Serial Interface in SOT563

 Check for Samples: [TMP102](#)

FEATURES

- **TINY SOT563 PACKAGE**
- **ACCURACY: 0.5°C (–25°C to +85°C)**
- **LOW QUIESCENT CURRENT:**
10µA Active (max)
1µA Shutdown (max)
- **SUPPLY RANGE: 1.4V to 3.6V**
- **RESOLUTION: 12 Bits**
- **DIGITAL OUTPUT: Two-Wire Serial Interface**

APPLICATIONS

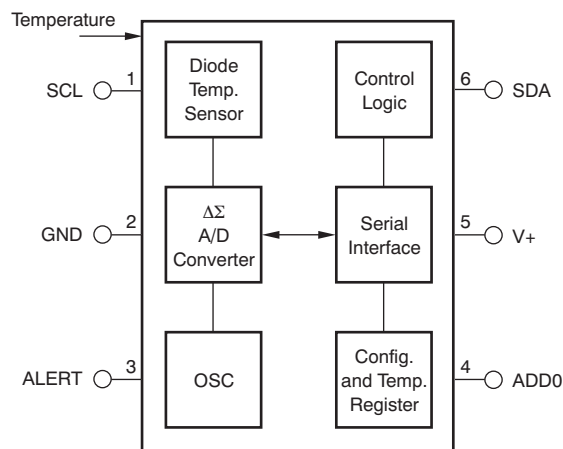
- **PORTABLE AND BATTERY-POWERED APPLICATIONS**
- **POWER-SUPPLY TEMPERATURE MONITORING**
- **COMPUTER PERIPHERAL THERMAL PROTECTION**
- **NOTEBOOK COMPUTERS**
- **BATTERY MANAGEMENT**
- **OFFICE MACHINES**
- **THERMOSTAT CONTROLS**
- **ELECTROMECHANICAL DEVICE TEMPERATURES**
- **GENERAL TEMPERATURE MEASUREMENTS:**
Industrial Controls
Test Equipment
Medical Instrumentations

DESCRIPTION

The TMP102 is a two-wire, serial output temperature sensor available in a tiny SOT563 package. Requiring no external components, the TMP102 is capable of reading temperatures to a resolution of 0.0625°C.

The TMP102 features SMBus and two-wire interface compatibility, and allows up to four devices on one bus. It also features an SMB alert function.

The TMP102 is ideal for extended temperature measurement in a variety of communication, computer, consumer, environmental, industrial, and instrumentation applications. The device is specified for operation over a temperature range of –40°C to +125°C.



Please be aware that an important notice concerning availability, standard warranty, and use in critical applications of Texas Instruments semiconductor products and disclaimers thereto appears at the end of this data sheet.

SMBus is a trademark of Intel, Inc.

All other trademarks are the property of their respective owners.



This integrated circuit can be damaged by ESD. Texas Instruments recommends that all integrated circuits be handled with appropriate precautions. Failure to observe proper handling and installation procedures can cause damage.

ESD damage can range from subtle performance degradation to complete device failure. Precision integrated circuits may be more susceptible to damage because very small parametric changes could cause the device not to meet its published specifications.

ORDERING INFORMATION⁽¹⁾

| PRODUCT | PACKAGE-LEAD | PACKAGE DESIGNATOR | PACKAGE MARKING |
|---------|--------------|--------------------|-----------------|
| TMP102 | SOT563 | DRL | CBZ |

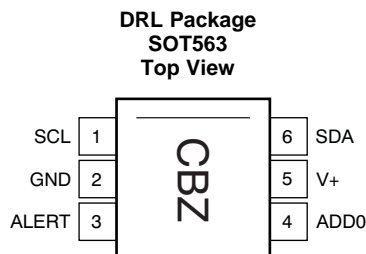
- (1) For the most current package and ordering information, see the Package Option Addendum at the end of this document, or see the TI web site at www.ti.com.

ABSOLUTE MAXIMUM RATINGS⁽¹⁾

| PARAMETER | TMP102 | UNIT |
|------------------------------|----------------------------|------|
| Supply Voltage | 3.6 | V |
| Input Voltage ⁽²⁾ | -0.5 to +3.6 | V |
| Operating Temperature | -55 to +150 | °C |
| Storage Temperature | -60 to +150 | °C |
| Junction Temperature | +150 | °C |
| ESD Rating | Human Body Model (HBM) | 2000 |
| | Charged Device Model (CDM) | 1000 |
| | Machine Model (MM) | 200 |

- (1) Stresses above these ratings may cause permanent damage. Exposure to absolute maximum conditions for extended periods may degrade device reliability. These are stress ratings only, and functional operation of the device at these or any other conditions beyond those specified is not supported.
- (2) Input voltage rating applies to all TMP102 input voltages.

PIN CONFIGURATION



ELECTRICAL CHARACTERISTICS

 At $T_A = +25^\circ\text{C}$ and $V_S = +1.4\text{V}$ to $+3.6\text{V}$, unless otherwise noted.

| PARAMETER | CONDITIONS | TMP102 | | | UNIT |
|------------------------------|---|---|--------|----------|---------------------------|
| | | MIN | TYP | MAX | |
| TEMPERATURE INPUT | | | | | |
| Range | | -40 | | +125 | $^\circ\text{C}$ |
| Accuracy (Temperature Error) | -25°C to $+85^\circ\text{C}$ | | 0.5 | 2 | $^\circ\text{C}$ |
| | -40°C to $+125^\circ\text{C}$ | | 1 | 3 | $^\circ\text{C}$ |
| vs Supply | | | 0.2 | 0.5 | $^\circ\text{C}/\text{V}$ |
| Resolution | | | 0.0625 | | $^\circ\text{C}$ |
| DIGITAL INPUT/OUTPUT | | | | | |
| Input Logic Levels: | | | | | |
| V_{IH} | | 0.7 (V+) | | 3.6 | V |
| V_{IL} | | -0.5 | | 0.3 (V+) | V |
| Input Current | I_{IN} $0 < V_{IN} < 3.6\text{V}$ | | | 1 | μA |
| Output Logic Levels: | | | | | |
| V_{OL} SDA | $V_+ > 2\text{V}, I_{OL} = 3\text{mA}$ | 0 | | 0.4 | V |
| | $V_+ < 2\text{V}, I_{OL} = 3\text{mA}$ | 0 | | 0.2 (V+) | V |
| V_{OL} ALERT | $V_+ > 2\text{V}, I_{OL} = 3\text{mA}$ | 0 | | 0.4 | V |
| | $V_+ < 2\text{V}, I_{OL} = 3\text{mA}$ | 0 | | 0.2 (V+) | V |
| Resolution | | | 12 | | Bit |
| Conversion Time | | | 26 | 35 | ms |
| Conversion Modes | CR1 = 0, CR0 = 0 | | 0.25 | | Conv/s |
| | CR1 = 0, CR0 = 1 | | 1 | | Conv/s |
| | CR1 = 1, CR0 = 0 (default) | | 4 | | Conv/s |
| | CR1 = 1, CR0 = 1 | | 8 | | Conv/s |
| Timeout Time | | | 30 | 40 | ms |
| POWER SUPPLY | | | | | |
| Operating Supply Range | | +1.4 | | +3.6 | V |
| Quiescent Current | I_Q Serial Bus Inactive, CR1 = 1, CR0 = 0 (default) | | 7 | 10 | μA |
| | | Serial Bus Active, SCL Frequency = 400kHz | 15 | | μA |
| | | Serial Bus Active, SCL Frequency = 3.4MHz | 85 | | μA |
| Shutdown Current | I_{SD} Serial Bus Inactive | | 0.5 | 1 | μA |
| | | Serial Bus Active, SCL Frequency = 400kHz | 10 | | μA |
| | | Serial Bus Active, SCL Frequency = 3.4MHz | 80 | | μA |
| TEMPERATURE RANGE | | | | | |
| Specified Range | | -40 | | +125 | $^\circ\text{C}$ |
| Operating Range | | -55 | | +150 | $^\circ\text{C}$ |
| Thermal Resistance, SOT563 | θ_{JA} | | 260 | | $^\circ\text{C}/\text{W}$ |

TYPICAL CHARACTERISTICS

At $T_A = +25^\circ\text{C}$ and $V_+ = 3.3\text{V}$, unless otherwise noted.

**QUIESCENT CURRENT vs TEMPERATURE
(4 Conversions per Second)**

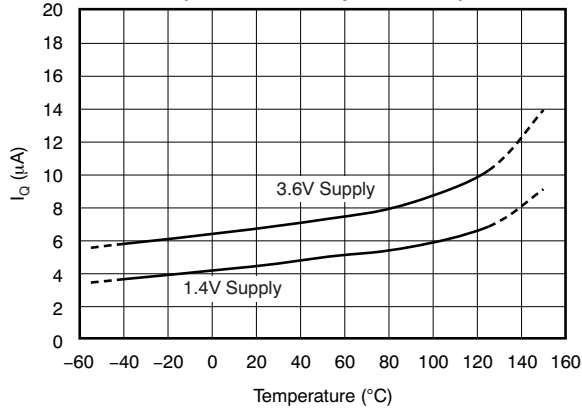


Figure 1.

SHUTDOWN CURRENT vs TEMPERATURE

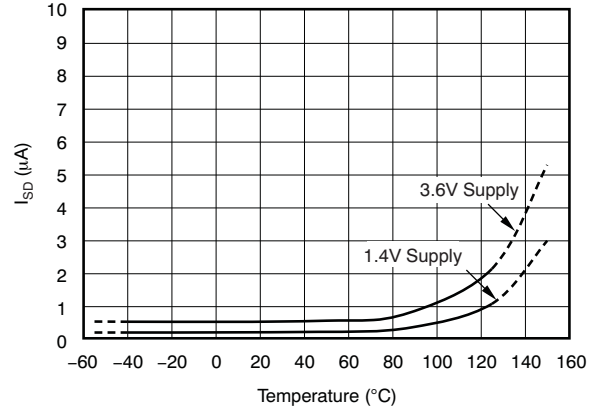


Figure 2.

CONVERSION TIME vs TEMPERATURE

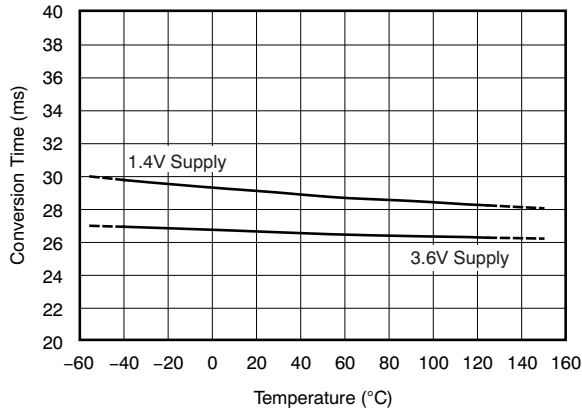


Figure 3.

**QUIESCENT CURRENT vs BUS FREQUENCY
(Temperature at 3.3V Supply)**

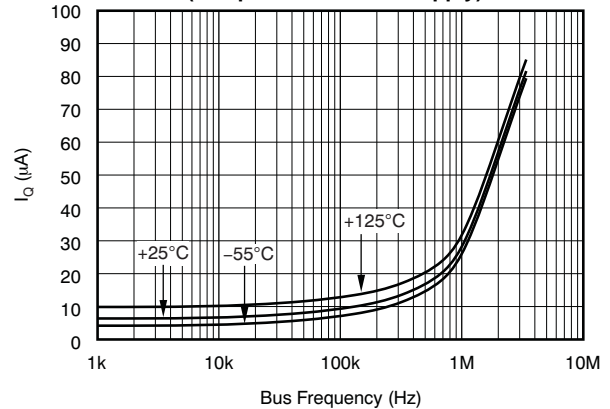


Figure 4.

TEMPERATURE ERROR vs TEMPERATURE

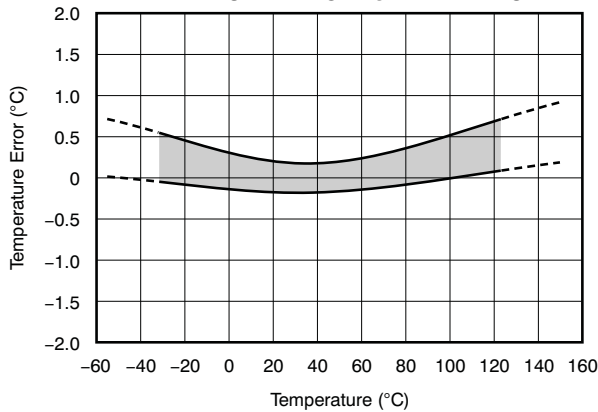


Figure 5.

TEMPERATURE ERROR AT +25°C

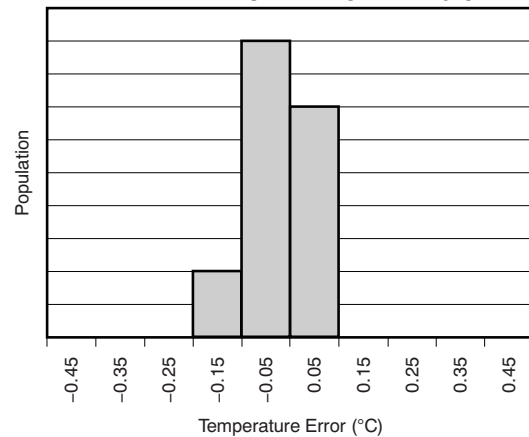


Figure 6.

APPLICATION INFORMATION

The TMP102 is a digital temperature sensor that is optimal for thermal-management and thermal-protection applications. The TMP102 is two-wire- and SMBus interface-compatible, and is specified over a temperature range of -40°C to $+125^{\circ}\text{C}$.

Pull-up resistors are required on SCL, SDA, and ALERT. A $0.01\mu\text{F}$ bypass capacitor is recommended, as shown in Figure 7.

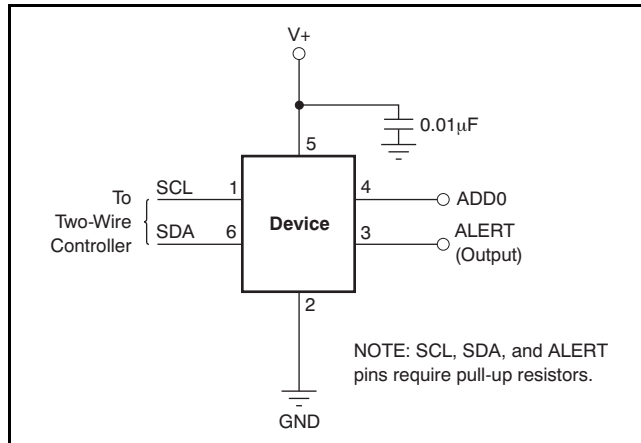


Figure 7. Typical Connections

The temperature sensor in the TMP102 is the chip itself. Thermal paths run through the package leads, as well as the plastic package. The lower thermal resistance of metal causes the leads to provide the primary thermal path.

To maintain accuracy in applications requiring air or surface temperature measurement, care should be taken to isolate the package and leads from ambient air temperature. A thermally-conductive adhesive is helpful in achieving accurate surface temperature measurement.

POINTER REGISTER

Figure 8 shows the internal register structure of the TMP102. The 8-bit Pointer Register of the device is used to address a given data register. The Pointer Register uses the two LSBs (see Table 1) to identify which of the data registers should respond to a read or write command. Table 1 identifies the bits of the Pointer Register byte. During a write command, P2 through P7 must always be '0'. Table 2 describes the pointer address of the registers available in the TMP102. Power-up reset value of P1/P0 is '00'. By default, the TMP102 reads the temperature on power-up.

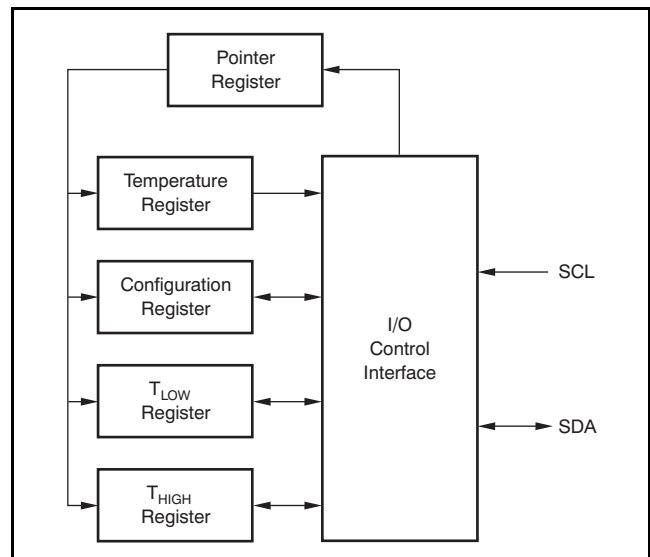


Figure 8. Internal Register Structure

Table 1. Pointer Register Byte

| P7 | P6 | P5 | P4 | P3 | P2 | P1 | P0 |
|----|----|----|----|----|----|---------------|----|
| 0 | 0 | 0 | 0 | 0 | 0 | Register Bits | |

Table 2. Pointer Addresses

| P1 | P0 | REGISTER |
|----|----|---|
| 0 | 0 | Temperature Register (Read Only) |
| 0 | 1 | Configuration Register (Read/Write) |
| 1 | 0 | T _{LOW} Register (Read/Write) |
| 1 | 1 | T _{HIGH} Register (Read/Write) |

TEMPERATURE REGISTER

The Temperature Register of the TMP102 is configured as a 12-bit, read-only register (Configuration Register EM bit = '0', see the [Extended Mode](#) section), or as a 13-bit, read-only register (Configuration Register EM bit = '1') that stores the output of the most recent conversion. Two bytes must be read to obtain data, and are described in [Table 3](#) and [Table 4](#). Note that byte 1 is the most significant byte, followed by byte 2, the least significant byte. The first 12 bits (13 bits in Extended mode) are used to indicate temperature. The least significant byte does not have to be read if that information is not needed. The data format for temperature is summarized in [Table 5](#) and [Table 6](#). One LSB equals 0.0625°C. Negative numbers are represented in binary twos complement format. Following power-up or reset, the Temperature Register will read 0°C until the first conversion is complete. Bit D0 of byte 2

indicates Normal mode (EM bit = '0') or Extended mode (EM bit = '1') and can be used to distinguish between the two temperature register data formats. The unused bits in the Temperature Register always read '0'.

Table 3. Byte 1 of Temperature Register⁽¹⁾

| D7 | D6 | D5 | D4 | D3 | D2 | D1 | D0 |
|-------|-------|-------|------|------|------|------|------|
| T11 | T10 | T9 | T8 | T7 | T6 | T5 | T4 |
| (T12) | (T11) | (T10) | (T9) | (T8) | (T7) | (T6) | (T5) |

(1) Extended mode 13-bit configuration shown in parenthesis.

Table 4. Byte 2 of Temperature Register⁽¹⁾

| D7 | D6 | D5 | D4 | D3 | D2 | D1 | D0 |
|------|------|------|------|------|-----|-----|-----|
| T3 | T2 | T1 | T0 | 0 | 0 | 0 | 0 |
| (T4) | (T3) | (T2) | (T1) | (T0) | (0) | (0) | (1) |

(1) Extended mode 13-bit configuration shown in parenthesis.

Table 5. 12-Bit Temperature Data Format⁽¹⁾

| TEMPERATURE (°C) | DIGITAL OUTPUT (BINARY) | HEX |
|------------------|-------------------------|-----|
| 128 | 0111 1111 1111 | 7FF |
| 127.9375 | 0111 1111 1111 | 7FF |
| 100 | 0110 0100 0000 | 640 |
| 80 | 0101 0000 0000 | 500 |
| 75 | 0100 1011 0000 | 4B0 |
| 50 | 0011 0010 0000 | 320 |
| 25 | 0001 1001 0000 | 190 |
| 0.25 | 0000 0000 0100 | 004 |
| 0 | 0000 0000 0000 | 000 |
| -0.25 | 1111 1111 1100 | FFC |
| -25 | 1110 0111 0000 | E70 |
| -55 | 1100 1001 0000 | C90 |

(1) The resolution for the Temp ADC in Internal Temperature mode is 0.0625°C/count.

For positive temperatures (for example, +50°C):

Twos complement is not performed on positive numbers. Therefore, simply convert the number to binary code with the 12-bit, left-justified format, and MSB = 0 to denote a positive sign.

Example: $(+50^{\circ}\text{C}) / (0.0625^{\circ}\text{C}/\text{count}) = 800 = 320\text{h} = 0011\ 0010\ 0000$

For negative temperatures (for example, -25°C):

Generate the twos complement of a negative number by complementing the absolute value binary number and adding 1. Denote a negative number with MSB = 1.

Example: $(|-25^{\circ}\text{C}|) / (0.0625^{\circ}\text{C}/\text{count}) = 400 = 190\text{h} = 0001\ 1001\ 0000$

Twos complement format: $1110\ 0110\ 1111 + 1 = 1110\ 0111\ 0000$

Table 6. 13-Bit Temperature Data Format

| TEMPERATURE (°C) | DIGITAL OUTPUT (BINARY) | HEX |
|------------------|-------------------------|------|
| 150 | 0 1001 0110 0000 | 0960 |
| 128 | 0 1000 0000 0000 | 0800 |
| 127.9375 | 0 0111 1111 1111 | 07FF |
| 100 | 0 0110 0100 0000 | 0640 |
| 80 | 0 0101 0000 0000 | 0500 |
| 75 | 0 0100 1011 0000 | 04B0 |
| 50 | 0 0011 0010 0000 | 0320 |
| 25 | 0 0001 1001 0000 | 0190 |
| 0.25 | 0 0000 0000 0100 | 0004 |
| 0 | 0 0000 0000 0000 | 0000 |
| -0.25 | 1 1111 1111 1100 | 1FFC |
| -25 | 1 1110 0111 0000 | 1E70 |
| -55 | 1 1100 1001 0000 | 1C90 |

CONFIGURATION REGISTER

The Configuration Register is a 16-bit read/write register used to store bits that control the operational modes of the temperature sensor. Read/write operations are performed MSB first. The format and power-up/reset value of the Configuration Register is shown in [Table 7](#). For compatibility, the first byte corresponds to the Configuration Register in the [TMP75](#) and [TMP275](#). All registers are updated byte by byte.

Table 7. Configuration and Power-Up/Reset Format

| BYTE | D7 | D6 | D5 | D4 | D3 | D2 | D1 | D0 |
|------|-----|-----|----|----|----|-----|----|----|
| 1 | OS | R1 | R0 | F1 | F0 | POL | TM | SD |
| | 0 | 1 | 1 | 0 | 0 | 0 | 0 | 0 |
| 2 | CR1 | CR0 | AL | EM | 0 | 0 | 0 | 0 |
| | 1 | 0 | 1 | 0 | 0 | 0 | 0 | 0 |

EXTENDED MODE (EM)

The Extended mode bit configures the device for Normal mode operation (EM = 0) or Extended mode operation (EM = 1). In Normal mode, the Temperature Register and high- and low-limit registers use a 12-bit data format. Normal mode is used to make the TMP102 compatible with the [TMP75](#).

Extended mode (EM = 1) allows measurement of temperatures above +128°C by configuring the Temperature Register, and high- and low-limit registers, for 13-bit data format.

ALERT (AL Bit)

The AL bit is a read-only function. Reading the AL bit will provide information about the comparator mode status. The state of the POL bit inverts the polarity of data returned from the AL bit. For POL = 0, the AL bit will read as '1' until the temperature equals or exceeds T_{HIGH} for the programmed number of consecutive faults, causing the AL bit to read as '0'. The AL bit will continue to read as '0' until the temperature falls below T_{LOW} for the programmed number of consecutive faults, when it will again read as '1'. The status of the TM bit does not affect the status of the AL bit.

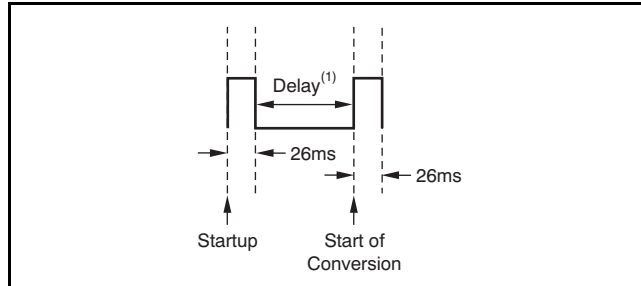
CONVERSION RATE

The conversion rate bits, CR1 and CR0, configure the TMP102 for conversion rates of 8Hz, 4Hz, 1Hz, or 0.25Hz. The default rate is 4Hz. The TMP102 has a typical conversion time of 26ms. To achieve different conversion rates, the TMP102 makes a conversion and after that powers down and waits for the appropriate delay set by CR1 and CR0. [Table 8](#) shows the settings for CR1 and CR0.

Table 8. Conversion Rate Settings

| CR1 | CR0 | CONVERSION RATE |
|-----|-----|-----------------|
| 0 | 0 | 0.25Hz |
| 0 | 1 | 1Hz |
| 1 | 0 | 4Hz (default) |
| 1 | 1 | 8Hz |

After power-up or general-call reset, the TMP102 immediately starts a conversion, as shown in Figure 9. The first result is available after 26ms (typical). The active quiescent current during conversion is 40µA (typical at +27°C). The quiescent current during delay is 2.2µA (typical at +27°C).



(1) Delay is set by CR1 and CR0.

Figure 9. Conversion Start

SHUTDOWN MODE (SD)

The Shutdown mode bit saves maximum power by shutting down all device circuitry other than the serial interface, reducing current consumption to typically less than 0.5µA. Shutdown mode is enabled when the SD bit is '1'; the device shuts down when current conversion is completed. When SD is equal to '0', the device maintains a continuous conversion state.

THERMOSTAT MODE (TM)

The Thermostat mode bit indicates to the device whether to operate in Comparator mode (TM = 0) or Interrupt mode (TM = 1). For more information on comparator and interrupt modes, see the [High- and Low-Limit Registers](#) section.

POLARITY (POL)

The Polarity bit allows the user to adjust the polarity of the ALERT pin output. If POL = 0, the ALERT pin will be active low, as shown in Figure 10. For POL = 1, the ALERT pin will be active high, and the state of the ALERT pin is inverted.

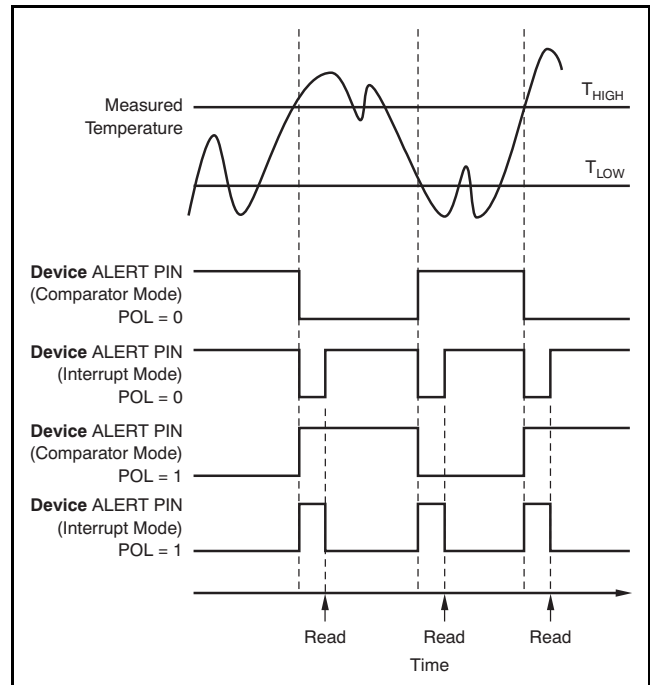


Figure 10. Output Transfer Function Diagrams

FAULT QUEUE (F1/F0)

A fault condition exists when the measured temperature exceeds the user-defined limits set in the T_{HIGH} and T_{LOW} registers. Additionally, the number of fault conditions required to generate an alert may be programmed using the fault queue. The fault queue is provided to prevent a false alert as a result of environmental noise. The fault queue requires consecutive fault measurements in order to trigger the alert function. Table 9 defines the number of measured faults that may be programmed to trigger an alert condition in the device. For T_{HIGH} and T_{LOW} register format and byte order, see the [High- and Low-Limit Registers](#) section.

Table 9. TMP102 Fault Settings

| F1 | F0 | CONSECUTIVE FAULTS |
|----|----|--------------------|
| 0 | 0 | 1 |
| 0 | 1 | 2 |
| 1 | 0 | 4 |
| 1 | 1 | 6 |

CONVERTER RESOLUTION (R1/R0)

R1/R0 are read-only bits. The TMP102 converter resolution is set on start up to '11'. This sets the temperature register to a 12 bit-resolution.

ONE-SHOT/CONVERSION READY (OS)

The TMP102 features a One-Shot Temperature Measurement mode. When the device is in Shutdown mode, writing a '1' to the OS bit starts a single temperature conversion. During the conversion, the OS bit reads '0'. The device returns to the shutdown state at the completion of the single conversion. After the conversion, the OS bit reads '1'. This feature is useful for reducing power consumption in the TMP102 when continuous temperature monitoring is not required.

As a result of the short conversion time, the TMP102 can achieve a higher conversion rate. A single conversion typically takes 26ms and a read can take place in less than 20µs. When using One-Shot mode, 30 or more conversions per second are possible.

HIGH- AND LOW-LIMIT REGISTERS

In Comparator mode (TM = 0), the ALERT pin becomes active when the temperature equals or exceeds the value in T_{HIGH} and generates a consecutive number of faults according to fault bits F1 and F0. The ALERT pin remains active until the temperature falls below the indicated T_{LOW} value for the same number of faults.

In Interrupt mode (TM = 1), the ALERT pin becomes active when the temperature equals or exceeds the value in T_{HIGH} for a consecutive number of fault conditions (as shown in Table 9). The ALERT pin remains active until a read operation of any register occurs, or the device successfully responds to the SMBus Alert Response address. The ALERT pin will also be cleared if the device is placed in Shutdown mode. Once the ALERT pin is cleared, it becomes active again only when temperature falls below T_{LOW}, and remains active until cleared by a read operation of any register or a successful response to the SMBus Alert Response address. Once the ALERT pin is cleared, the above cycle repeats, with the ALERT pin becoming active when the temperature equals or exceeds T_{HIGH}. The ALERT pin can also be cleared by resetting the device with the General Call Reset command. This action also clears the state of the internal registers in the device, returning the device to Comparator mode (TM = 0).

Both operational modes are represented in Figure 10. Table 10 and Table 11 describe the format for the T_{HIGH} and T_{LOW} registers. Note that the most significant byte is sent first, followed by the least significant byte. Power-up reset values for T_{HIGH} and T_{LOW} are: T_{HIGH} = +80°C and T_{LOW} = +75°C. The format of the data for T_{HIGH} and T_{LOW} is the same as for the Temperature Register.

Table 10. Bytes 1 and 2 of T_{HIGH} Register⁽¹⁾

| BYTE | D7 | D6 | D5 | D4 | D3 | D2 | D1 | D0 |
|------|-------|-------|-------|------|------|------|------|------|
| 1 | H11 | H10 | H9 | H8 | H7 | H6 | H5 | H4 |
| | (H12) | (H11) | (H10) | (H9) | (H8) | (H7) | (H6) | (H5) |
| BYTE | D7 | D6 | D5 | D4 | D3 | D2 | D1 | D0 |
| 2 | H3 | H2 | H1 | H0 | 0 | 0 | 0 | 0 |
| | (H4) | (H3) | (H2) | (H1) | (H0) | (0) | (0) | (0) |

(1) Extended mode 13-bit configuration shown in parenthesis.

Table 11. Bytes 1 and 2 of T_{LOW} Register⁽¹⁾

| BYTE | D7 | D6 | D5 | D4 | D3 | D2 | D1 | D0 |
|------|-------|-------|-------|------|------|------|------|------|
| 1 | L11 | L10 | L9 | L8 | L7 | L6 | L5 | L4 |
| | (L12) | (L11) | (L10) | (L9) | (L8) | (L7) | (L6) | (L5) |
| BYTE | D7 | D6 | D5 | D4 | D3 | D2 | D1 | D0 |
| 2 | L3 | L2 | L1 | L0 | 0 | 0 | 0 | 0 |
| | (L4) | (L3) | (L2) | (L1) | (L0) | (0) | (0) | (0) |

(1) Extended mode 13-bit configuration shown in parenthesis.

BUS OVERVIEW

The device that initiates the transfer is called a *master*, and the devices controlled by the master are *slaves*. The bus must be controlled by a master device that generates the serial clock (SCL), controls the bus access, and generates the START and STOP conditions.

To address a specific device, a START condition is initiated, indicated by pulling the data-line (SDA) from a high to low logic level while SCL is high. All slaves on the bus shift in the slave address byte on the rising edge of the clock, with the last bit indicating whether a read or write operation is intended. During the ninth clock pulse, the slave being addressed responds to the master by generating an Acknowledge and pulling SDA low.

Data transfer is then initiated and sent over eight clock pulses followed by an Acknowledge Bit. During data transfer SDA must remain stable while SCL is high, because any change in SDA while SCL is high will be interpreted as a START or STOP signal.

Once all data have been transferred, the master generates a STOP condition indicated by pulling SDA from low to high, while SCL is high.

SERIAL INTERFACE

The TMP102 operates as a slave device only on the two-wire bus and SMBus. Connections to the bus are made via the open-drain I/O lines SDA and SCL. The SDA and SCL pins feature integrated spike suppression filters and Schmitt triggers to minimize the effects of input spikes and bus noise. The TMP102 supports the transmission protocol for both fast (1kHz to 400kHz) and high-speed (1kHz to 3.4MHz) modes. All data bytes are transmitted MSB first.

SERIAL BUS ADDRESS

To communicate with the TMP102, the master must first address slave devices via a slave address byte. The slave address byte consists of seven address bits, and a direction bit indicating the intent of executing a read or write operation.

The TMP102 features an address pin to allow up to four devices to be addressed on a single bus. [Table 12](#) describes the pin logic levels used to properly connect up to four devices.

Table 12. Address Pin and Slave Addresses

| DEVICE TWO-WIRE ADDRESS | A0 PIN CONNECTION |
|-------------------------|-------------------|
| 1001000 | Ground |
| 1001001 | V+ |
| 1001010 | SDA |
| 1001011 | SCL |

WRITING/READING OPERATION

Accessing a particular register on the TMP102 is accomplished by writing the appropriate value to the Pointer Register. The value for the Pointer Register is the first byte transferred after the slave address byte with the R/W bit low. Every write operation to the TMP102 requires a value for the Pointer Register (see [Figure 13](#)).

When reading from the TMP102, the last value stored in the Pointer Register by a write operation is used to determine which register is read by a read operation. To change the register pointer for a read operation, a new value must be written to the Pointer Register.

This action is accomplished by issuing a slave address byte with the R/W bit low, followed by the Pointer Register byte. No additional data are required. The master can then generate a START condition and send the slave address byte with the R/W bit high to initiate the read command. See [Figure 14](#) for details of this sequence. If repeated reads from the same register are desired, it is not necessary to continually send the Pointer Register bytes, because the TMP102 remembers the Pointer Register value until it is changed by the next write operation.

Note that register bytes are sent with the most significant byte first, followed by the least significant byte.

SLAVE MODE OPERATIONS

The TMP102 can operate as a slave receiver or slave transmitter. As a slave device, the TMP102 never drives the SCL line.

Slave Receiver Mode:

The first byte transmitted by the master is the slave address, with the R/W bit low. The TMP102 then acknowledges reception of a valid address. The next byte transmitted by the master is the Pointer Register. The TMP102 then acknowledges reception of the Pointer Register byte. The next byte or bytes are written to the register addressed by the Pointer Register. The TMP102 acknowledges reception of each data byte. The master can terminate data transfer by generating a START or STOP condition.

Slave Transmitter Mode:

The first byte transmitted by the master is the slave address, with the R/W bit high. The slave acknowledges reception of a valid slave address. The next byte is transmitted by the slave and is the most significant byte of the register indicated by the Pointer Register. The master acknowledges reception of the data byte. The next byte transmitted by the slave is the least significant byte. The master acknowledges reception of the data byte. The master can terminate data transfer by generating a *Not-Acknowledge* on reception of any data byte, or generating a START or STOP condition.

SMBus ALERT FUNCTION

The TMP102 supports the SMBus Alert function. When the TMP102 operates in Interrupt mode (TM = '1'), the ALERT pin may be connected as an SMBus Alert signal. When a master senses that an ALERT condition is present on the ALERT line, the master sends an SMBus Alert command (00011001) to the bus. If the ALERT pin is active, the device acknowledges the SMBus Alert command and responds by returning its slave address on the SDA line. The eighth bit (LSB) of the slave address byte indicates if the ALERT condition was caused by the temperature exceeding T_{HIGH} or falling below T_{LOW} . For POL = '0', this bit is low if the temperature is greater than or equal to T_{HIGH} ; this bit is high if the temperature is less than T_{LOW} . The polarity of this bit is inverted if POL = '1'. Refer to [Figure 15](#) for details of this sequence.

If multiple devices on the bus respond to the SMBus Alert command, arbitration during the slave address portion of the SMBus Alert command determines which device will clear its ALERT status. The device with the lowest two-wire address wins the arbitration. If the TMP102 wins the arbitration, its ALERT pin becomes inactive at the completion of the SMBus Alert command. If the TMP102 loses the arbitration, its ALERT pin remains active.

GENERAL CALL

The TMP102 responds to a two-wire General Call address (0000000) if the eighth bit is '0'. The device acknowledges the General Call address and responds to commands in the second byte. If the second byte is 00000110, the TMP102 internal registers are reset to power-up values. The TMP102 does not support the General Address acquire command.

HIGH-SPEED (Hs) MODE

In order for the two-wire bus to operate at frequencies above 400kHz, the master device must issue an Hs-mode master code (00001xxx) as the first byte after a START condition to switch the bus to high-speed operation. The TMP102 does not acknowledge this byte, but switches its input filters on SDA and SCL and its output filters on SDA to operate in Hs-mode, allowing transfers at up to 3.4MHz. After the Hs-mode master code has been issued, the master transmits a two-wire slave address to initiate a data transfer operation. The bus continues to operate in Hs-mode until a STOP condition occurs on the bus. Upon receiving the STOP condition, the TMP102 switches the input and output filters back to fast-mode operation.

TIMEOUT FUNCTION

The TMP102 resets the serial interface if SCL is held low for 30ms (typ). The TMP102 releases the bus if it is pulled low and waits for a START condition. To avoid activating the timeout function, it is necessary to maintain a communication speed of at least 1kHz for SCL operating frequency.

NOISE

The TMP102 is a very low-power device and generates very low noise on the supply bus. Applying an RC filter to the V+ pin of the TMP102 can further reduce any noise the TMP102 might propagate to other components. R_F in [Figure 11](#) should be less than 5k Ω and C_F should be greater than 10nF.

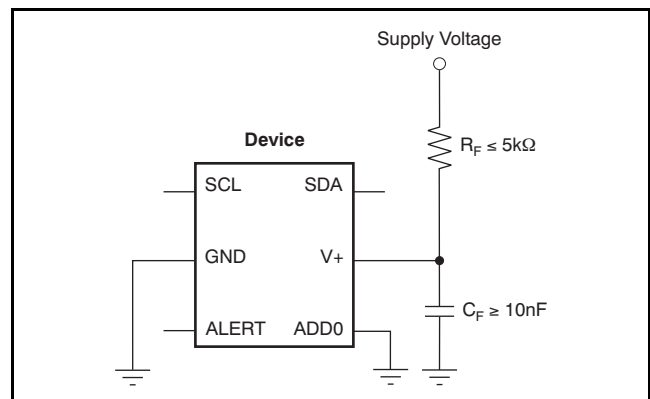


Figure 11. Noise Reduction

TIMING DIAGRAMS

The TMP102 is two-wire and SMBus compatible. Figure 12 to Figure 15 describe the various operations on the TMP102. Parameters for Figure 12 are defined in Table 13. Bus definitions are:

Bus Idle: Both SDA and SCL lines remain high.

Start Data Transfer: A change in the state of the SDA line, from high to low, while the SCL line is high, defines a START condition. Each data transfer is initiated with a START condition.

Stop Data Transfer: A change in the state of the SDA line from low to high while the SCL line is high defines a STOP condition. Each data transfer is terminated with a repeated START or STOP condition.

Data Transfer: The number of data bytes transferred between a START and a STOP condition is not limited and is determined by the master device. It is also possible to use the TMP102 for single byte updates. To update only the MS byte, terminate the communication by issuing a START or STOP communication on the bus.

Acknowledge: Each receiving device, when addressed, is obliged to generate an Acknowledge bit. A device that acknowledges must pull down the SDA line during the Acknowledge clock pulse in such a way that the SDA line is stable low during the high period of the Acknowledge clock pulse. Setup and hold times must be taken into account. On a master receive, the termination of the data transfer can be signaled by the master generating a *Not-Acknowledge* ('1') on the last byte that has been transmitted by the slave.

Table 13. Timing Diagram Definitions

| PARAMETER | TEST CONDITIONS | FAST MODE | | HIGH-SPEED MODE | | UNIT |
|---------------|--|-----------|------|-----------------|------|------|
| | | MIN | MAX | MIN | MAX | |
| $f_{(SCL)}$ | SCL Operating Frequency, $V_S > 1.7V$ | 0.001 | 0.4 | 0.001 | 3.4 | MHz |
| $f_{(SCL)}$ | SCL Operating Frequency, $V_S < 1.7V$ | 0.001 | 0.4 | 0.001 | 2.75 | MHz |
| $t_{(BUF)}$ | Bus Free Time Between STOP and START Condition | 600 | | 160 | | ns |
| $t_{(HDSTA)}$ | Hold time after repeated START condition. After this period, the first clock is generated. | 100 | | 100 | | ns |
| $t_{(SUSTA)}$ | Repeated START Condition Setup Time | 100 | | 100 | | ns |
| $t_{(SUSTO)}$ | STOP Condition Setup Time | 100 | | 100 | | ns |
| $t_{(HDDAT)}$ | Data Hold Time | 100 | | 10 | | ns |
| $t_{(SUDAT)}$ | Data Setup Time | 100 | | 10 | | ns |
| $t_{(LOW)}$ | SCL Clock Low Period, $V_S > 1.7V$ | 1300 | | 160 | | ns |
| $t_{(LOW)}$ | SCL Clock Low Period, $V_S < 1.7V$ | 1300 | | 200 | | ns |
| $t_{(HIGH)}$ | SCL Clock High Period | 600 | | 60 | | ns |
| t_F | Clock/Data Fall Time | | 300 | | | ns |
| t_R | Clock/Data Rise Time | | 300 | | 160 | ns |
| t_R | Clock/Data Rise Time for SCLK $\leq 100kHz$ | | 1000 | | | ns |

TWO-WIRE TIMING DIAGRAMS

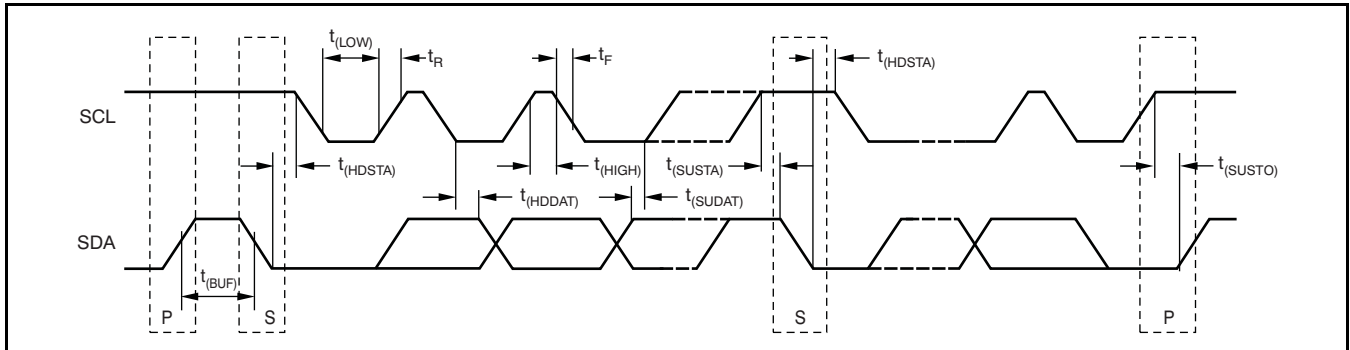


Figure 12. Two-Wire Timing Diagram

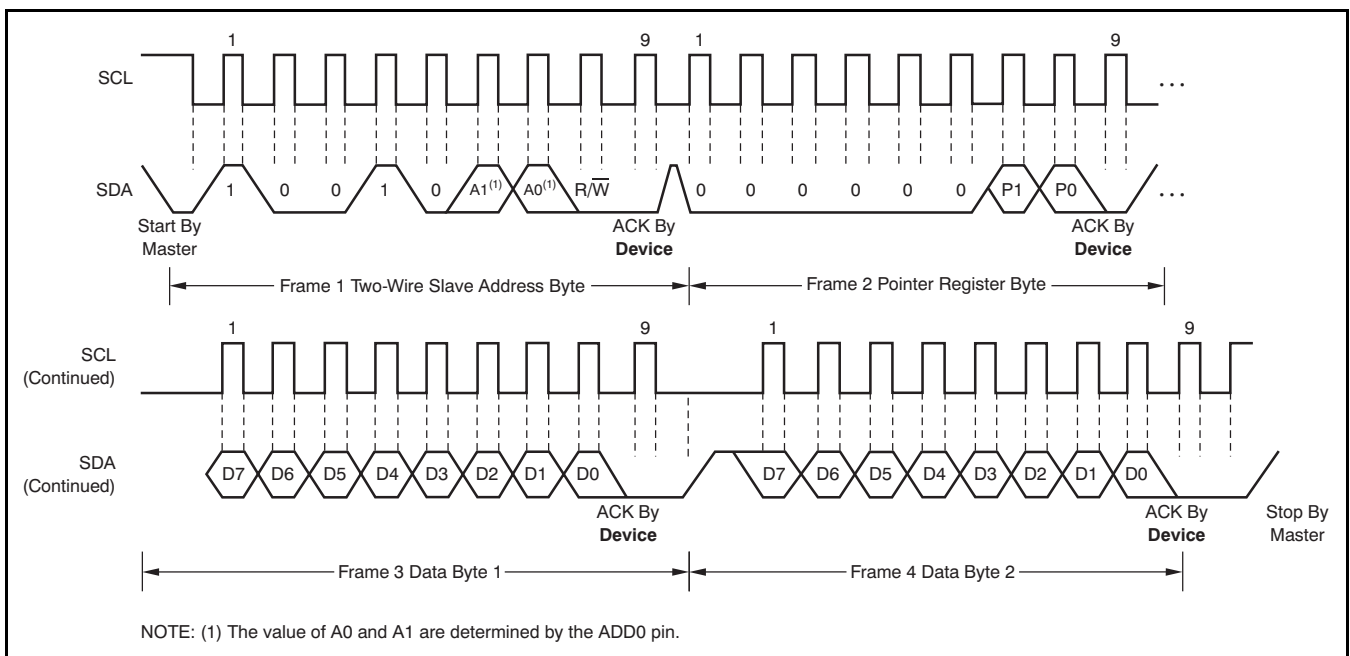


Figure 13. Two-Wire Timing Diagram for Write Word Format

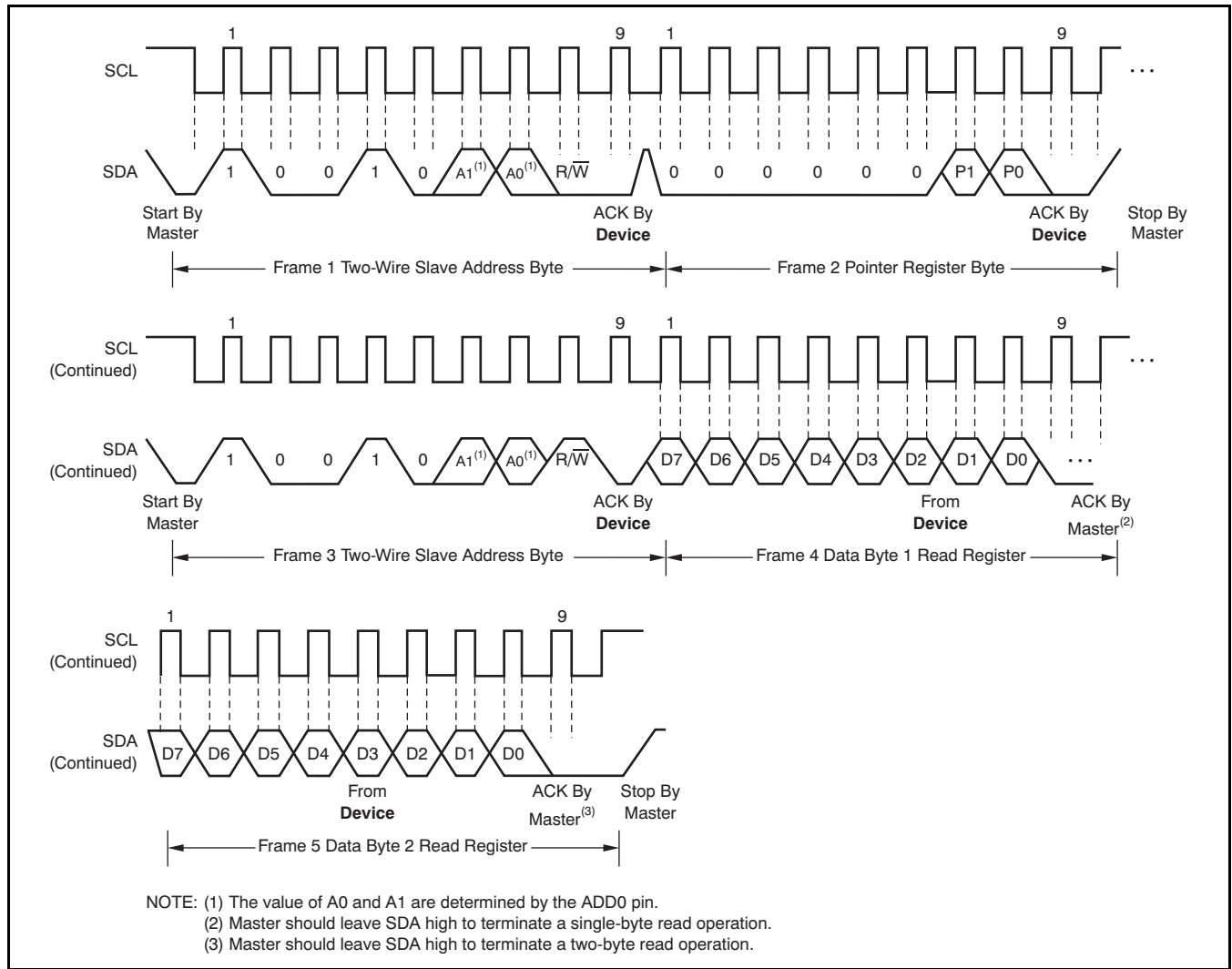


Figure 14. Two-Wire Timing Diagram for Read Word Format

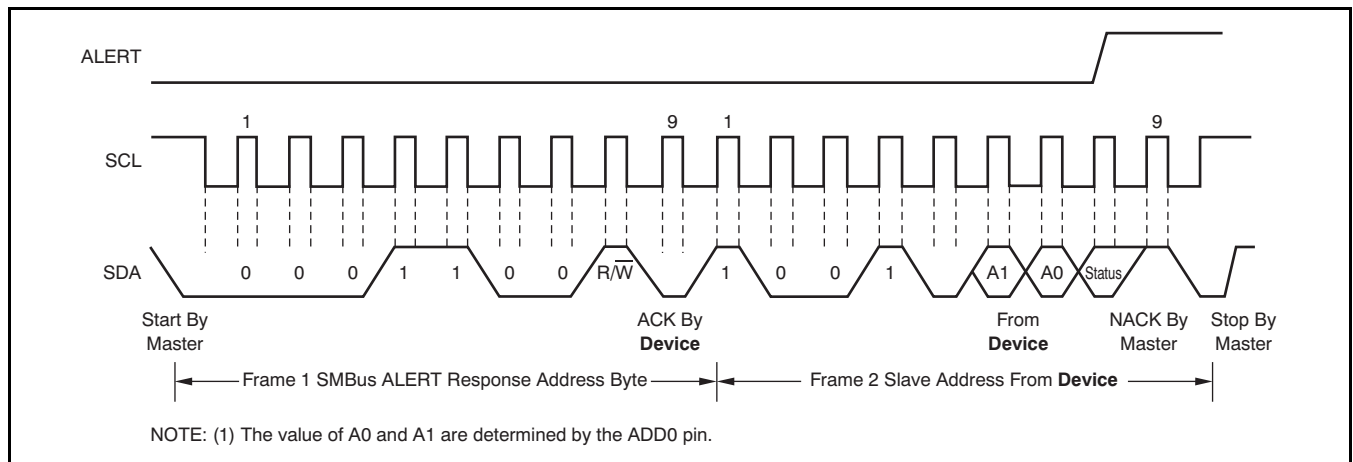


Figure 15. Timing Diagram for SMBus ALERT

REVISION HISTORY

NOTE: Page numbers for previous revisions may differ from the page numbers in the current version.

| Changes from Revision B (October 2008) to Revision C | Page |
|--|--------------------|
| • Changed values for <i>Data Hold Time</i> parameter in Table 13 | 12 |

PACKAGING INFORMATION

| Orderable Device | Status ⁽¹⁾ | Package Type | Package Drawing | Pins | Package Qty | Eco Plan ⁽²⁾ | Lead/ Ball Finish | MSL Peak Temp ⁽³⁾ | Samples (Requires Login) |
|------------------|-----------------------|--------------|-----------------|------|-------------|----------------------------|----------------------|------------------------------|-----------------------------|
| TMP102AIDRLR | ACTIVE | SOT | DRL | 6 | 4000 | Green (RoHS & no Sb/Br) | CU NIPDAU | Level-1-260C-UNLIM | |
| TMP102AIDRLRG4 | ACTIVE | SOT | DRL | 6 | 4000 | Green (RoHS & no Sb/Br) | CU NIPDAU | Level-1-260C-UNLIM | |
| TMP102AIDRLT | ACTIVE | SOT | DRL | 6 | 250 | Green (RoHS & no Sb/Br) | CU NIPDAU | Level-1-260C-UNLIM | |
| TMP102AIDRLTG4 | ACTIVE | SOT | DRL | 6 | 250 | Green (RoHS & no Sb/Br) | CU NIPDAU | Level-1-260C-UNLIM | |

⁽¹⁾ The marketing status values are defined as follows:

ACTIVE: Product device recommended for new designs.

LIFEBUY: TI has announced that the device will be discontinued, and a lifetime-buy period is in effect.

NRND: Not recommended for new designs. Device is in production to support existing customers, but TI does not recommend using this part in a new design.

PREVIEW: Device has been announced but is not in production. Samples may or may not be available.

OBSOLETE: TI has discontinued the production of the device.

⁽²⁾ Eco Plan - The planned eco-friendly classification: Pb-Free (RoHS), Pb-Free (RoHS Exempt), or Green (RoHS & no Sb/Br) - please check <http://www.ti.com/productcontent> for the latest availability information and additional product content details.

TBD: The Pb-Free/Green conversion plan has not been defined.

Pb-Free (RoHS): TI's terms "Lead-Free" or "Pb-Free" mean semiconductor products that are compatible with the current RoHS requirements for all 6 substances, including the requirement that lead not exceed 0.1% by weight in homogeneous materials. Where designed to be soldered at high temperatures, TI Pb-Free products are suitable for use in specified lead-free processes.

Pb-Free (RoHS Exempt): This component has a RoHS exemption for either 1) lead-based flip-chip solder bumps used between the die and package, or 2) lead-based die adhesive used between the die and leadframe. The component is otherwise considered Pb-Free (RoHS compatible) as defined above.

Green (RoHS & no Sb/Br): TI defines "Green" to mean Pb-Free (RoHS compatible), and free of Bromine (Br) and Antimony (Sb) based flame retardants (Br or Sb do not exceed 0.1% by weight in homogeneous material)

⁽³⁾ MSL, Peak Temp. -- The Moisture Sensitivity Level rating according to the JEDEC industry standard classifications, and peak solder temperature.

Important Information and Disclaimer: The information provided on this page represents TI's knowledge and belief as of the date that it is provided. TI bases its knowledge and belief on information provided by third parties, and makes no representation or warranty as to the accuracy of such information. Efforts are underway to better integrate information from third parties. TI has taken and continues to take reasonable steps to provide representative and accurate information but may not have conducted destructive testing or chemical analysis on incoming materials and chemicals. TI and TI suppliers consider certain information to be proprietary, and thus CAS numbers and other limited information may not be available for release.

In no event shall TI's liability arising out of such information exceed the total purchase price of the TI part(s) at issue in this document sold by TI to Customer on an annual basis.

TAPE AND REEL INFORMATION

QUADRANT ASSIGNMENTS FOR PIN 1 ORIENTATION IN TAPE


*All dimensions are nominal

| Device | Package Type | Package Drawing | Pins | SPQ | Reel Diameter (mm) | Reel Width W1 (mm) | A0 (mm) | B0 (mm) | K0 (mm) | P1 (mm) | W (mm) | Pin1 Quadrant |
|--------------|--------------|-----------------|------|------|--------------------|--------------------|---------|---------|---------|---------|--------|---------------|
| TMP102AIDRLR | SOT | DRL | 6 | 4000 | 180.0 | 9.5 | 1.78 | 1.78 | 0.69 | 4.0 | 8.0 | Q2 |
| TMP102AIDRLT | SOT | DRL | 6 | 250 | 180.0 | 9.5 | 1.78 | 1.78 | 0.69 | 4.0 | 8.0 | Q2 |

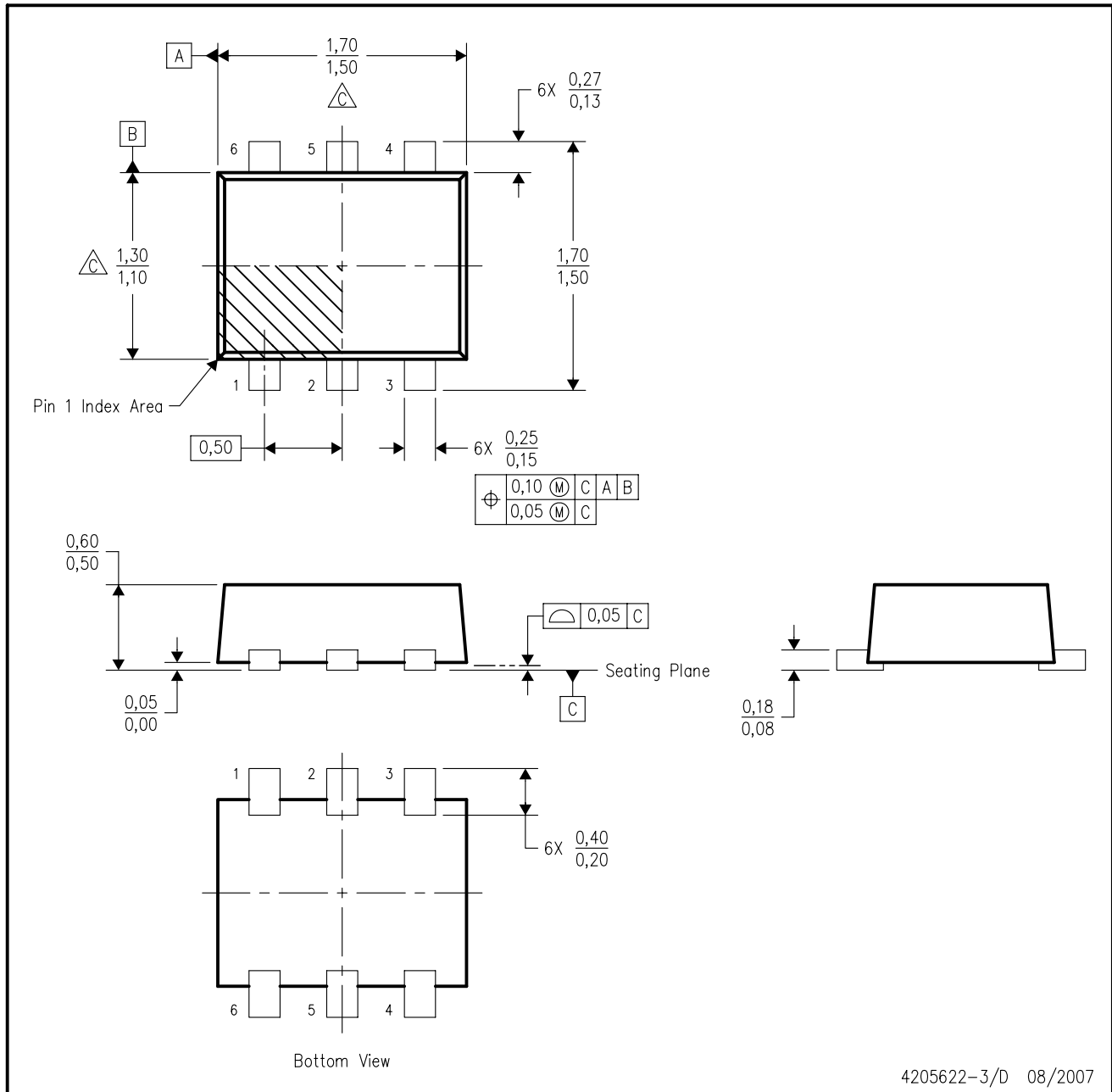
TAPE AND REEL BOX DIMENSIONS


*All dimensions are nominal

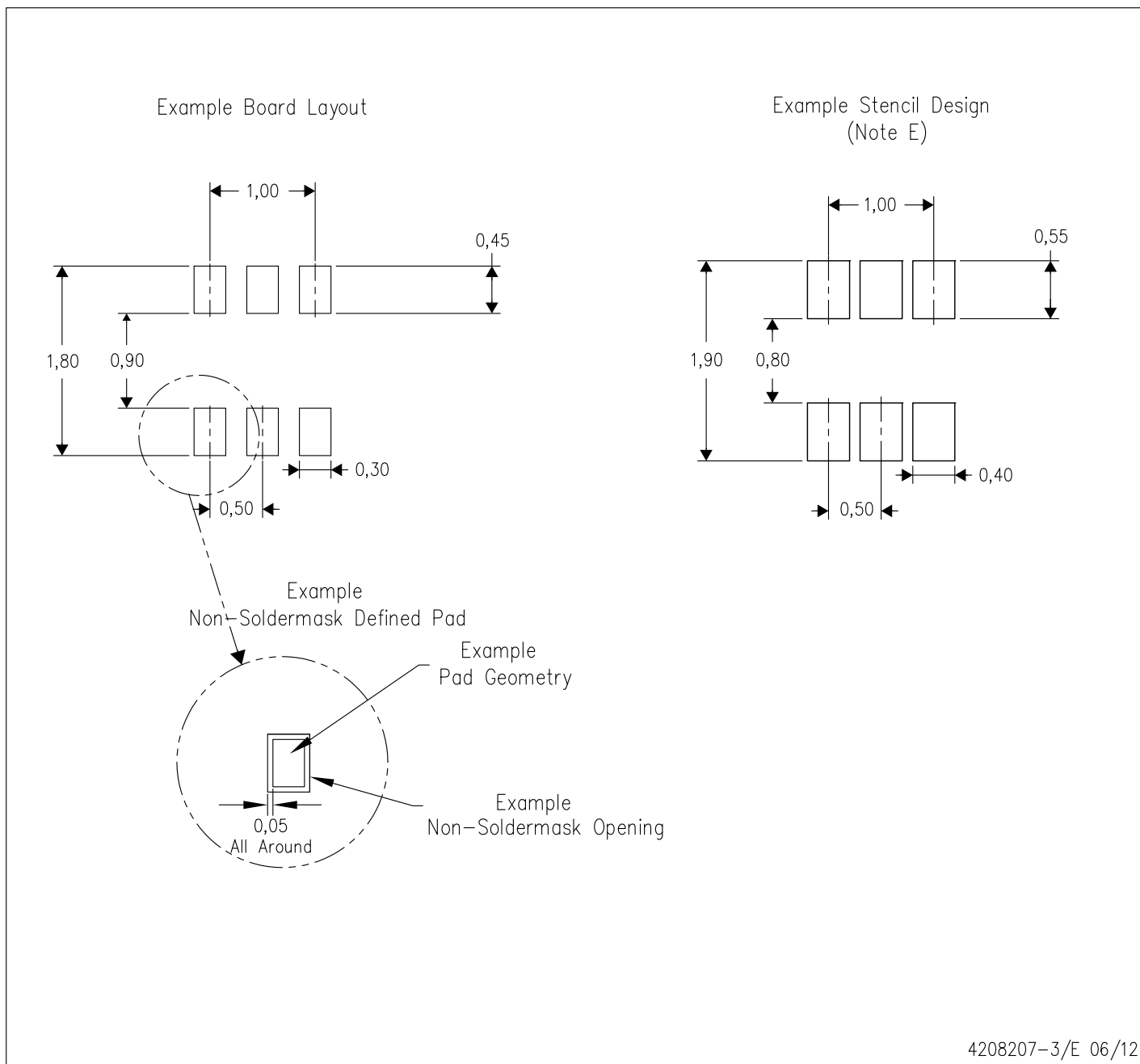
| Device | Package Type | Package Drawing | Pins | SPQ | Length (mm) | Width (mm) | Height (mm) |
|--------------|--------------|-----------------|------|------|-------------|------------|-------------|
| TMP102AIDRLR | SOT | DRL | 6 | 4000 | 180.0 | 180.0 | 30.0 |
| TMP102AIDRLT | SOT | DRL | 6 | 250 | 180.0 | 180.0 | 30.0 |

DRL (R-PDSO-N6)

PLASTIC SMALL OUTLINE



- NOTES:
- A. All linear dimensions are in millimeters. Dimensioning and tolerancing per ASME Y14.5M-1994.
 - B. This drawing is subject to change without notice.
 - C. Body dimensions do not include mold flash, interlead flash, protrusions, or gate burrs. Mold flash, interlead flash, protrusions, or gate burrs shall not exceed 0,15 per end or side.
 - D. JEDEC package registration is pending.



- NOTES:
- A. All linear dimensions are in millimeters.
 - B. This drawing is subject to change without notice.
 - C. Publication IPC-7351 is recommended for alternate designs.
 - D. Customers should contact their board fabrication site for minimum solder mask web tolerances between signal pads.
 - E. Maximum stencil thickness 0,127 mm (5 mils). All linear dimensions are in millimeters.
 - F. Laser cutting apertures with trapezoidal walls and also rounding corners will offer better paste release. Customers should contact their board assembly site for stencil design recommendations. Refer to IPC 7525 for stencil design considerations.
 - G. Side aperture dimensions over-print land for acceptable area ratio > 0.66. Customer may reduce side aperture dimensions if stencil manufacturing process allows for sufficient release at smaller opening.

IMPORTANT NOTICE

Texas Instruments Incorporated and its subsidiaries (TI) reserve the right to make corrections, enhancements, improvements and other changes to its semiconductor products and services per JESD46, latest issue, and to discontinue any product or service per JESD48, latest issue. Buyers should obtain the latest relevant information before placing orders and should verify that such information is current and complete. All semiconductor products (also referred to herein as "components") are sold subject to TI's terms and conditions of sale supplied at the time of order acknowledgment.

TI warrants performance of its components to the specifications applicable at the time of sale, in accordance with the warranty in TI's terms and conditions of sale of semiconductor products. Testing and other quality control techniques are used to the extent TI deems necessary to support this warranty. Except where mandated by applicable law, testing of all parameters of each component is not necessarily performed.

TI assumes no liability for applications assistance or the design of Buyers' products. Buyers are responsible for their products and applications using TI components. To minimize the risks associated with Buyers' products and applications, Buyers should provide adequate design and operating safeguards.

TI does not warrant or represent that any license, either express or implied, is granted under any patent right, copyright, mask work right, or other intellectual property right relating to any combination, machine, or process in which TI components or services are used. Information published by TI regarding third-party products or services does not constitute a license to use such products or services or a warranty or endorsement thereof. Use of such information may require a license from a third party under the patents or other intellectual property of the third party, or a license from TI under the patents or other intellectual property of TI.

Reproduction of significant portions of TI information in TI data books or data sheets is permissible only if reproduction is without alteration and is accompanied by all associated warranties, conditions, limitations, and notices. TI is not responsible or liable for such altered documentation. Information of third parties may be subject to additional restrictions.

Resale of TI components or services with statements different from or beyond the parameters stated by TI for that component or service voids all express and any implied warranties for the associated TI component or service and is an unfair and deceptive business practice. TI is not responsible or liable for any such statements.

Buyer acknowledges and agrees that it is solely responsible for compliance with all legal, regulatory and safety-related requirements concerning its products, and any use of TI components in its applications, notwithstanding any applications-related information or support that may be provided by TI. Buyer represents and agrees that it has all the necessary expertise to create and implement safeguards which anticipate dangerous consequences of failures, monitor failures and their consequences, lessen the likelihood of failures that might cause harm and take appropriate remedial actions. Buyer will fully indemnify TI and its representatives against any damages arising out of the use of any TI components in safety-critical applications.

In some cases, TI components may be promoted specifically to facilitate safety-related applications. With such components, TI's goal is to help enable customers to design and create their own end-product solutions that meet applicable functional safety standards and requirements. Nonetheless, such components are subject to these terms.

No TI components are authorized for use in FDA Class III (or similar life-critical medical equipment) unless authorized officers of the parties have executed a special agreement specifically governing such use.

Only those TI components which TI has specifically designated as military grade or "enhanced plastic" are designed and intended for use in military/aerospace applications or environments. Buyer acknowledges and agrees that any military or aerospace use of TI components which have **not** been so designated is solely at the Buyer's risk, and that Buyer is solely responsible for compliance with all legal and regulatory requirements in connection with such use.

TI has specifically designated certain components as meeting ISO/TS16949 requirements, mainly for automotive use. In any case of use of non-designated products, TI will not be responsible for any failure to meet ISO/TS16949.

Products

| | |
|------------------------------|--|
| Audio | www.ti.com/audio |
| Amplifiers | amplifier.ti.com |
| Data Converters | dataconverter.ti.com |
| DLP® Products | www.dlp.com |
| DSP | dsp.ti.com |
| Clocks and Timers | www.ti.com/clocks |
| Interface | interface.ti.com |
| Logic | logic.ti.com |
| Power Mgmt | power.ti.com |
| Microcontrollers | microcontroller.ti.com |
| RFID | www.ti-rfid.com |
| OMAP Applications Processors | www.ti.com/omap |
| Wireless Connectivity | www.ti.com/wirelessconnectivity |

Applications

| | |
|-------------------------------|--|
| Automotive and Transportation | www.ti.com/automotive |
| Communications and Telecom | www.ti.com/communications |
| Computers and Peripherals | www.ti.com/computers |
| Consumer Electronics | www.ti.com/consumer-apps |
| Energy and Lighting | www.ti.com/energy |
| Industrial | www.ti.com/industrial |
| Medical | www.ti.com/medical |
| Security | www.ti.com/security |
| Space, Avionics and Defense | www.ti.com/space-avionics-defense |
| Video and Imaging | www.ti.com/video |

TI E2E Community

e2e.ti.com