

VOLTAGE OUTPUT, UNIDIRECTIONAL MEASUREMENT CURRENT-SHUNT MONITOR

Check for Samples: [INA271-HT](#)

FEATURES

- **Wide Common-Mode Range:** -16V to $+80\text{V}$
- **CMRR:** 78dB
- **Accuracy:**
 $\pm 10\text{mV}$ Offset (max)
 $\pm 7.5\%$ Gain Error (max)
 $100\mu\text{V}/^\circ\text{C}$ Offset Drift (max)
- **Bandwidth:** Up to 130kHz
- **Transfer Function:** 20V/V
- **Quiescent Current:** 1300 μA (max)
- **Power Supply:** $+2.7\text{V}$ to $+18\text{V}$
- **Provision for Filtering**

APPLICATIONS

- **Down-Hole Drilling**
- **High Temperature Environments**

SUPPORTS EXTREME TEMPERATURE APPLICATIONS

- **Controlled Baseline**
- **One Assembly/Test Site**
- **One Fabrication Site**
- **Available in Extreme ($-55^\circ\text{C}/210^\circ\text{C}$) Temperature Range⁽¹⁾**
- **Extended Product Life Cycle**
- **Extended Product-Change Notification**
- **Product Traceability**
- **Texas Instruments high temperature products utilize highly optimized silicon (die) solutions with design and process enhancements to maximize performance over extended temperatures.**

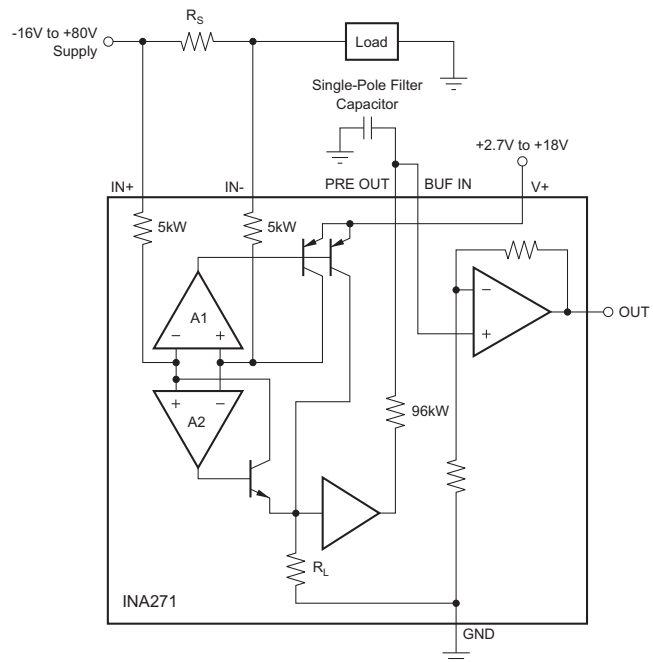
(1) Custom temperature ranges available

DESCRIPTION

The INA271 is a current-shunt monitor with voltage output and can sense drops across current shunts at common-mode voltages from -16V to $+80\text{V}$, independent of the supply voltage. The INA271 pinouts readily enable filtering.

The INA271 is available with a 20V/V output voltage scale. The 130kHz bandwidth simplifies use in current-control loops.

The INA271 operates from a single $+2.7\text{V}$ to $+18\text{V}$ supply, drawing a maximum of 1300 μA of supply current. This device is specified over the extended operating temperature range of -55°C to $+210^\circ\text{C}$.



Please be aware that an important notice concerning availability, standard warranty, and use in critical applications of Texas Instruments semiconductor products and disclaimers thereto appears at the end of this data sheet.



This integrated circuit can be damaged by ESD. Texas Instruments recommends that all integrated circuits be handled with appropriate precautions. Failure to observe proper handling and installation procedures can cause damage.

ESD damage can range from subtle performance degradation to complete device failure. Precision integrated circuits may be more susceptible to damage because very small parametric changes could cause the device not to meet its published specifications.

BARE DIE INFORMATION

DIE THICKNESS	BACKSIDE FINISH	BACKSIDE POTENTIAL	BOND PAD METALLIZATION COMPOSITION	BOND PAD THICKNESS
11 mils.	Silicon with backgrind	GND	Al-Cu (0.5%)	598 nm

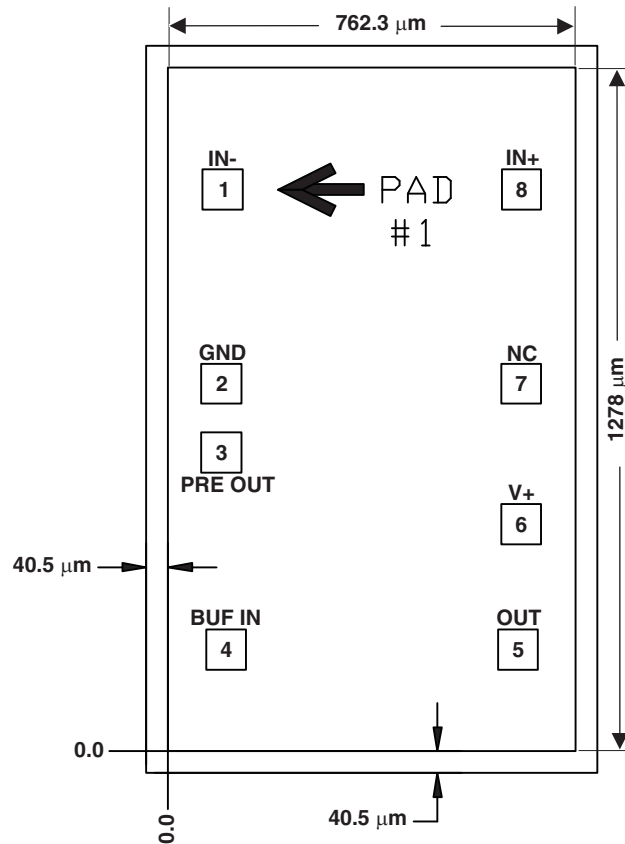
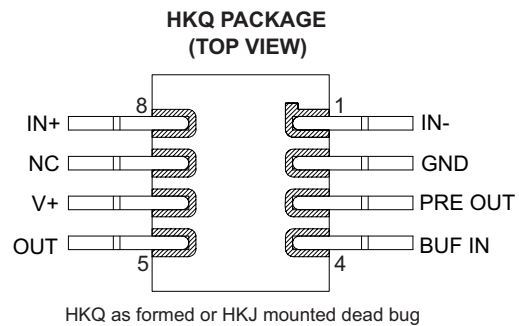
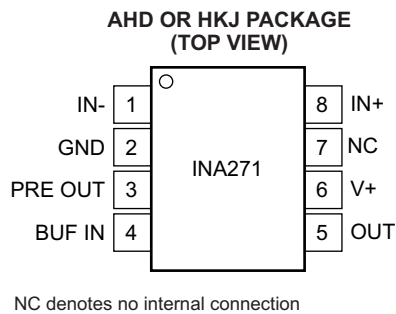


Table 1. Bond Pad Coordinates in Microns

DISCRIPTION	PAD NUMBER	X min	Y min	X max	Y max
IN-	1	64.35	1012.41	139.41	1087.47
GND	2	61.83	648.81	136.89	723.87
PRE OUT	3	61.83	520.29	136.89	595.35
BUF IN	4	70.92	152.37	145.98	227.43
OUT	5	616.32	152.37	691.38	227.43
V+	6	621.99	386.55	697.05	461.61
NC	7	622.44	648.81	697.5	723.87
IN+	8	622.89	1012.41	697.95	1087.47

PIN CONFIGURATION



ORDERING INFORMATION⁽¹⁾

T _A	PACKAGE ⁽²⁾	ORDERABLE PART NUMBER	TOP-SIDE MARKING
-55°C to 175°C	AHD	INA271AHD	INA271AHD
-55°C to 210°C	KGD (bare die)	INA271SKGD1	NA
	HKJ	INA271SHKJ	INA271SHKJ
	HKQ	INA271SHKQ	INA271SHKQ

- (1) For the most current package and ordering information, see the Package Option Addendum at the end of this document, or see the TI web site at www.ti.com.
 (2) Package drawings, thermal data, and symbolization are available at www.ti.com/packaging.

ABSOLUTE MAXIMUM RATINGS⁽¹⁾

		UNIT
Supply Voltage (V _S)	+18	V
Analog Inputs, V _{IN+} , V _{IN-} :		
Differential, (V _{IN+}) – (V _{IN-})	-18 to +18	V
Common-Mode	-16 to +80	V
Analog Output:		
OUT and PRE OUT Pins	GND – 0.3 to (V ₊) + 0.3	V
Input Current Into Any Pin	5	mA
Operating Temperature	-55 to +210	°C
Storage Temperature	-65 to +210	°C
Junction Temperature	+210	°C
ESD Ratings:		
Human Body Model	3000	V
Charged-Device Model	750	V

- (1) Stresses above these ratings may cause permanent damage. Exposure to absolute maximum conditions for extended periods may degrade device reliability. These are stress ratings only, and functional operation of the device at these or any other conditions beyond those specified is not supported.

THERMAL CHARACTERISTICS FOR HKJ OR HKQ PACKAGE

over operating free-air temperature range (unless otherwise noted)

PARAMETER		MIN	TYP	MAX	UNIT
θ _{JC}	Junction-to-case thermal resistance	to ceramic side of case		5.7	°C/W
		to top of case lid (metal side of case)		13.7	

ELECTRICAL CHARACTERISTICS

At $T_A = +25^\circ\text{C}$, $V_S = +5\text{V}$, $V_{CM} = +12\text{V}$, $V_{SENSE} = 100\text{mV}$, and PRE OUT connected to BUF IN, unless otherwise noted.

PARAMETER	CONDITIONS	$T_A = -55^\circ\text{C to } 125^\circ\text{C}$			$T_A = -55^\circ\text{C to } 175^\circ\text{C}$			$T_A = 210^\circ\text{C}$			UNIT
		MIN	TYP	MAX	MIN	TYP	MAX	MIN	TYP	MAX	
INPUT											
Full-Scale Input Voltage	V_{SENSE}	$V_{SENSE} = (V_{IN+}) + (V_{IN-})$			0.15			$(V_S - 0.2)/\text{Gain}$			V
Common-Mode Input Range	V_{CM}	-16		80				-16		80	V
Common-Mode Rejection Ratio	CMRR	$V_{IN+} = -16\text{V to } +80\text{V}$	80	120				70	78		dB
		$V_{IN+} = +12\text{V to } +80\text{V}$	100	120				81	89		
Offset Voltage, RTI ⁽¹⁾	V_{OS}		± 0.6	± 3				± 5	± 10		mV
vs Temperature	dV_{OS}/dT		3.3	20				42	100		$\mu\text{V}/^\circ\text{C}$
vs Power-Supply	PSR	$V_S = +2.7\text{V to } +18\text{V}, V_{CM} = +18\text{V}$		5				130	320		$\mu\text{V}/\text{V}$
Input Bias Current, V_{IN-} Pin	I_B		± 8	± 16				± 16	± 25		μA
PRE OUT Output Impedance ⁽²⁾			96					96			k Ω
Buffer Input Bias Current			-50					-50			nA
Buffer Input Bias Current Temperature Coefficient			± 0.03					± 0.03			nA/ $^\circ\text{C}$
OUTPUT ($V_{SENSE} \geq 20\text{mV}$)⁽³⁾											
Gain: INA271 Total Gain	G		20					20			V/V
Output Buffer Gain	G_{BUF}		2					2			V/V
Total Gain Error		$V_{SENSE} = 20\text{mV to } 100\text{mV}$	± 0.2	± 2				± 1	± 7.5		%
vs Temperature				50				300			ppm/ $^\circ\text{C}$
Total Output Error ⁽⁴⁾			± 1	± 3				± 4.6	± 11.5		%
Nonlinearity Error		$V_{SENSE} = 20\text{mV to } 100\text{mV}$	± 0.002					± 0.002			%
Output Impedance	R_O		1.5					1.5			Ω
Maximum Capacitive Load		No Sustained Oscillation	10					10			nF
VOLTAGE OUTPUT⁽⁵⁾											
Swing to V+ Power-Supply Rail		$R_L = 10\text{k}\Omega \text{ to GND}$		$(V+) - 0.05$					$(V+) - 0.13$	$(V+) - 0.2$	V
Swing to GND ⁽⁶⁾			$V_{GND} + 0.003$	$V_{GND} + 0.05$				$V_{GND} + 0.22$	$V_{GND} + 0.42$		V
FREQUENCY RESPONSE											
Bandwidth	BW	$C_{LOAD} = 5\text{pF}$	130					130			kHz
Phase Margin		$C_{LOAD} < 10\text{nF}$	40					40			degrees
Slew Rate	SR		1					1			V/ μs
Settling Time (1%)	t_S	$V_{SENSE} = 10\text{mV to } 100\text{mV}_{PP}, C_{LOAD} = 5\text{pF}$	2					2			μs

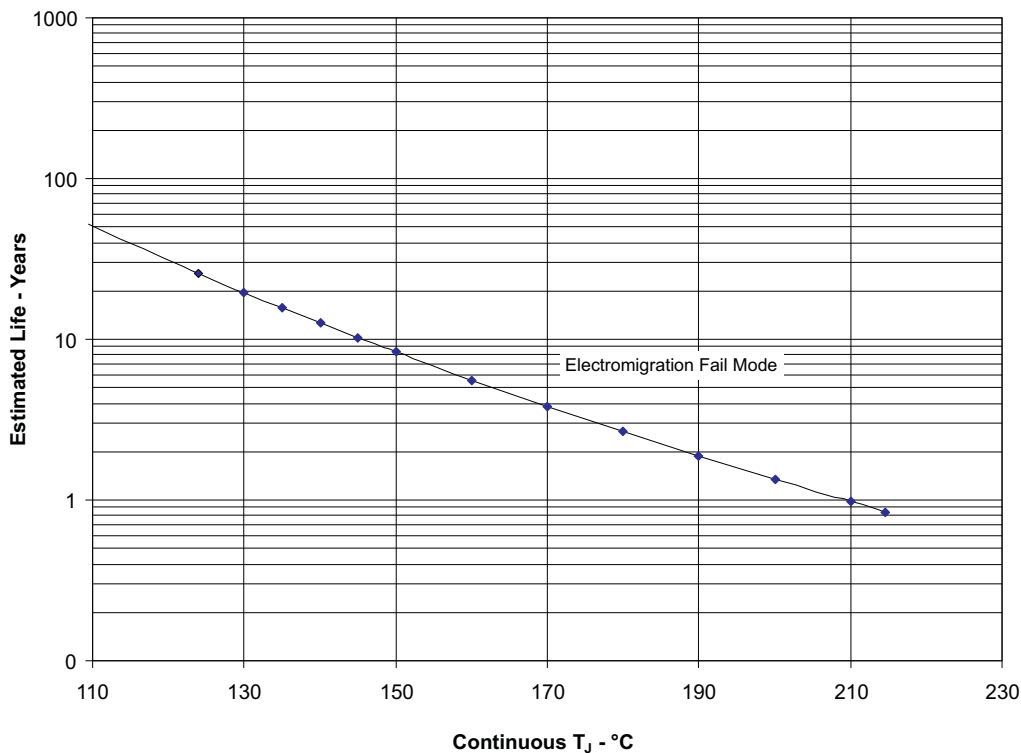
- (1) RTI means *Referred-to-Input*.
- (2) Initial resistor variation is $\pm 30\%$ with an additional $-2200\text{ppm}/^\circ\text{C}$ temperature coefficient.
- (3) For output behavior when $V_{SENSE} < 20\text{mV}$, see the Application Information section [Accuracy Variations as A Result of \$V_{SENSE}\$ and Common-Mode Voltage](#).
- (4) Total output error includes effects of gain error and V_{OS} .
- (5) See typical characteristic curve [Output Swing vs Output Current](#) and Application Information section [Accuracy Variations as A Result of \$V_{SENSE}\$ and Common-Mode Voltage](#).
- (6) Ensured by design; not production tested.

ELECTRICAL CHARACTERISTICS (continued)

At $T_A = +25^\circ\text{C}$, $V_S = +5\text{V}$, $V_{CM} = +12\text{V}$, $V_{SENSE} = 100\text{mV}$, and PRE OUT connected to BUF IN, unless otherwise noted.

PARAMETER	CONDITIONS	$T_A = -55^\circ\text{C to } 125^\circ\text{C}$			$T_A = -55^\circ\text{C to } 175^\circ\text{C}$			$T_A = 210^\circ\text{C}$			UNIT
		MIN	TYP	MAX	MIN	TYP	MAX	MIN	TYP	MAX	
NOISE < RTI⁽⁷⁾											
Voltage Noise Density	e_n		40					40			$\text{nV}/\sqrt{\text{Hz}}$
POWER SUPPLY											
Operating Range	V_S	2.7		18				2.7		18	V
Quiescent Current	I_Q		740	1200				1160	1300		μA
			$V_{SENSE} = 0\text{mV}$	350	950			895	1300		
TEMPERATURE RANGE											
Specified Temperature Range		-55		125				-55		210	$^\circ\text{C}$
Operating Temperature Range		-55		125				-55		210	$^\circ\text{C}$

(7) RTI means *Referred-to-Input*.



- (1) See datasheet for absolute maximum and minimum recommended operating conditions.
- (2) Silicon operating life design goal is 10 years at 105°C junction temperature (does not include package interconnect life).

Figure 1. INA271SKGD1/INA271SHKJ/INA271SHKQ Operating Life Derating Chart

TYPICAL CHARACTERISTICS

At $T_A = +25^\circ\text{C}$, $V_S = +12\text{V}$, $V_{CM} = 12\text{V}$, and $V_{SENSE} = 100\text{mV}$, unless otherwise noted.

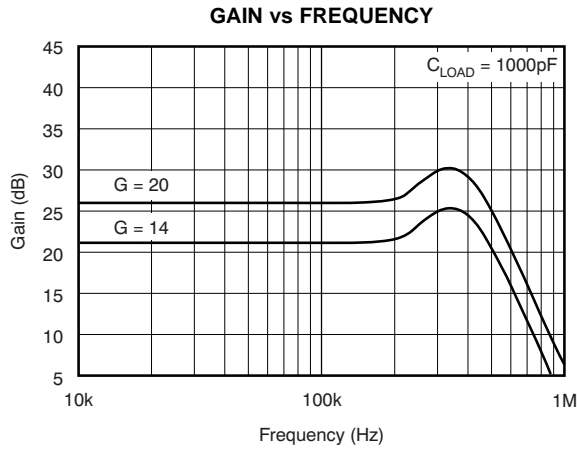


Figure 2.

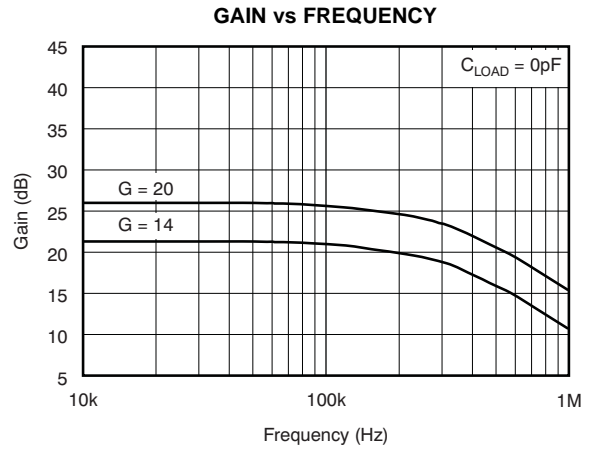


Figure 3.

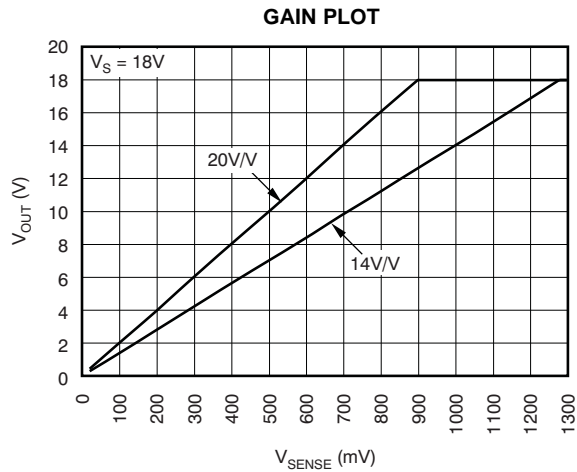


Figure 4.

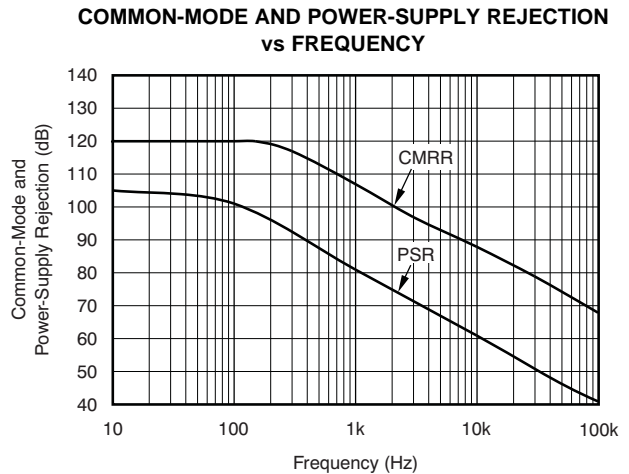


Figure 5.

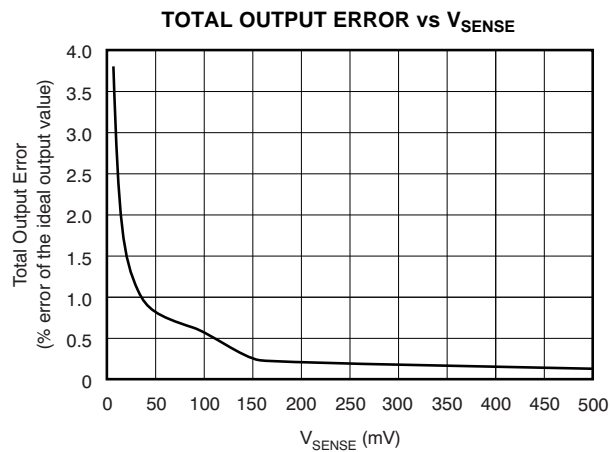


Figure 6.

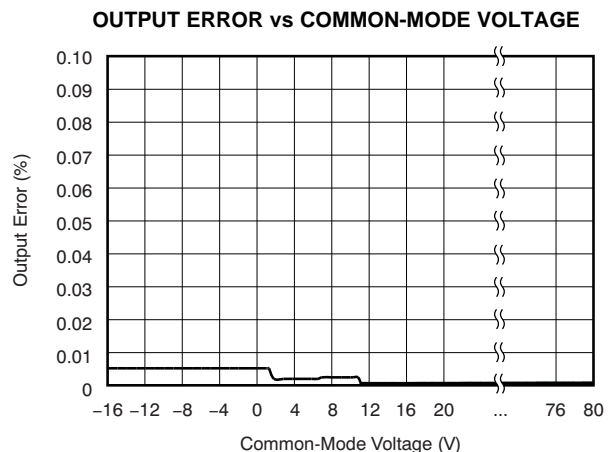


Figure 7.

TYPICAL CHARACTERISTICS (continued)

At $T_A = +25^\circ\text{C}$, $V_S = +12\text{V}$, $V_{CM} = 12\text{V}$, and $V_{SENSE} = 100\text{mV}$, unless otherwise noted.

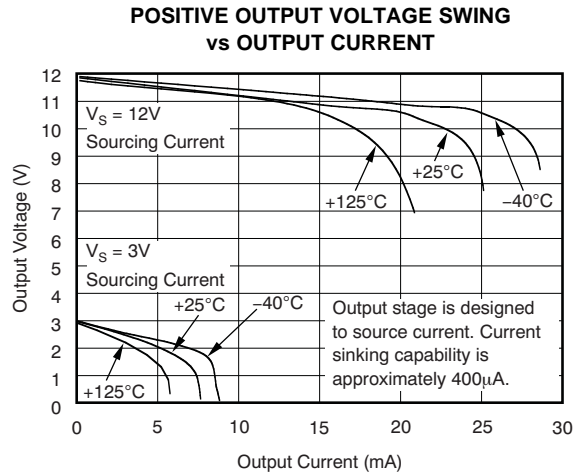


Figure 8.

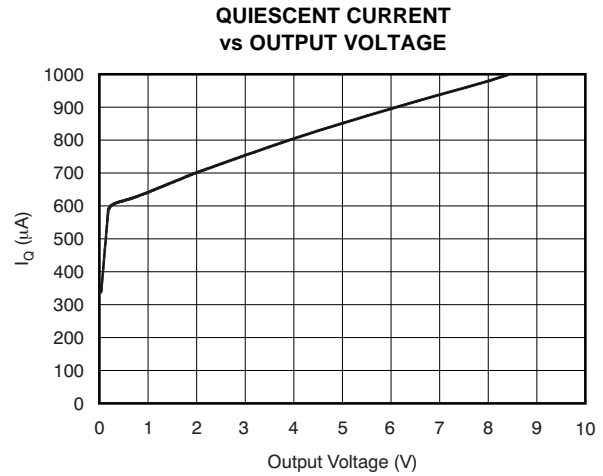


Figure 9.

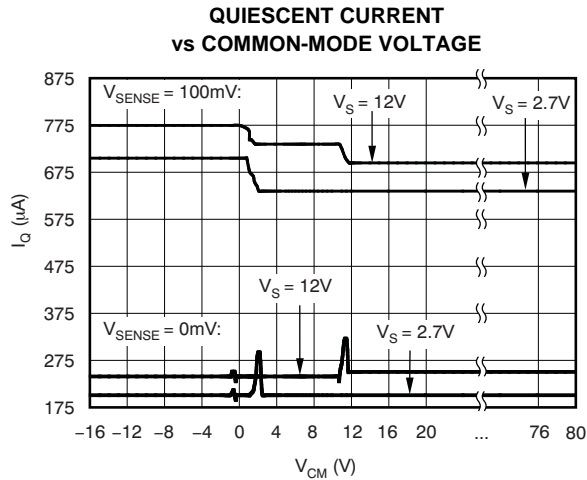


Figure 10.

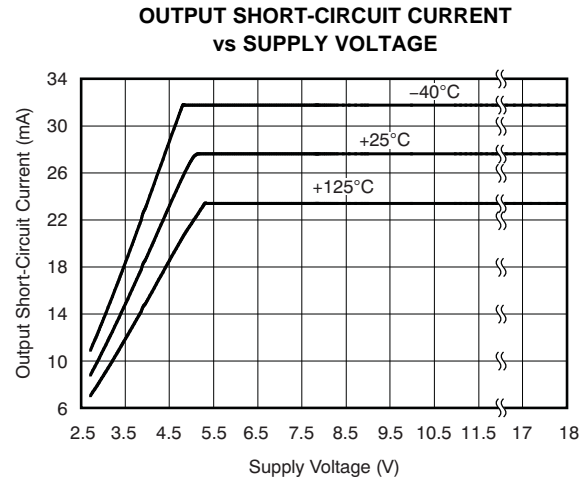


Figure 11.

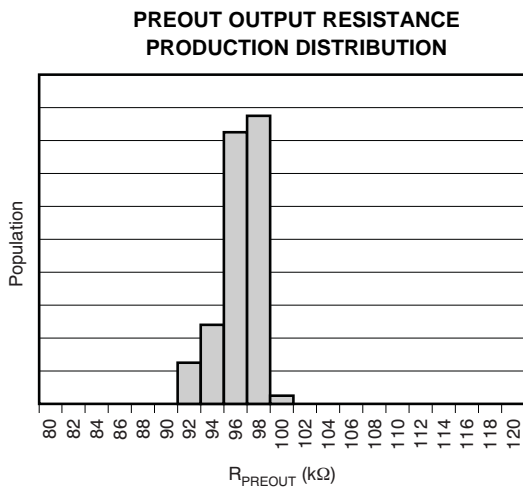


Figure 12.

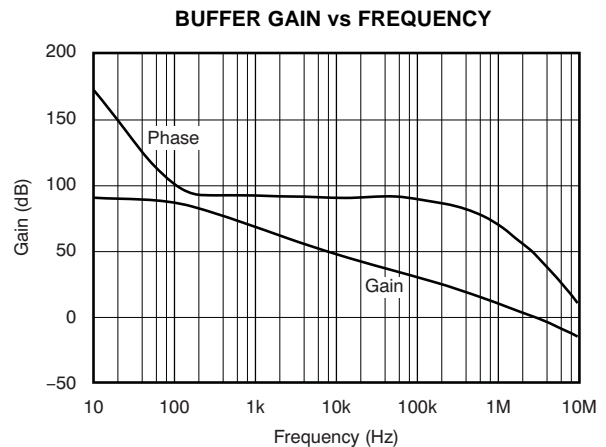


Figure 13.

TYPICAL CHARACTERISTICS (continued)

At $T_A = +25^\circ\text{C}$, $V_S = +12\text{V}$, $V_{CM} = 12\text{V}$, and $V_{SENSE} = 100\text{mV}$, unless otherwise noted.

SMALL-SIGNAL STEP RESPONSE
10mV TO 20mV INPUT

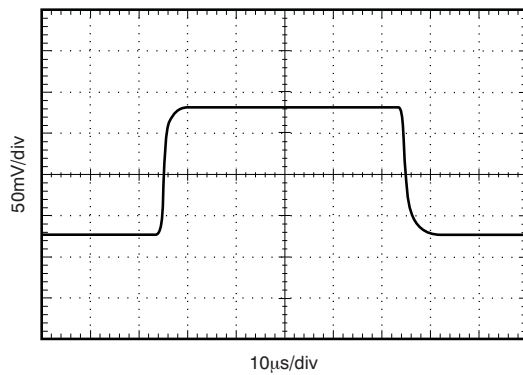


Figure 14.

LARGE-SIGNAL STEP RESPONSE
10mV TO 100mV INPUT

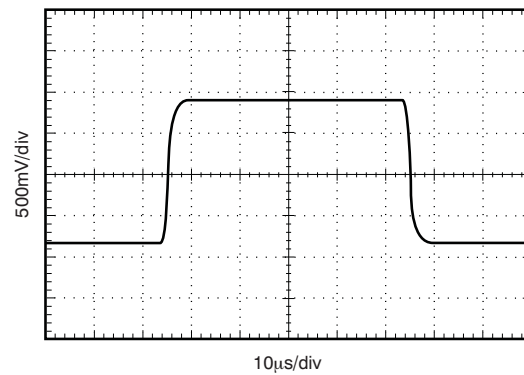


Figure 15.

APPLICATIONS INFORMATION

BASIC CONNECTION

Figure 16 shows the basic connection of the INA271. The input pins, IN+ and IN–, should be connected as closely as possible to the shunt resistor to minimize any resistance in series with the shunt resistance.

Power-supply bypass capacitors are required for stability. Applications with noisy or high-impedance power supplies may require additional decoupling capacitors to reject power-supply noise. Minimum bypass capacitors of 0.01µF and 0.1µF in value should be placed close to the supply pins. Although not mandatory, an additional 10mF electrolytic capacitor placed in parallel with the other bypass capacitors may be useful in applications with particularly noisy supplies.

POWER SUPPLY

The input circuitry of the INA271 can accurately measure beyond its power-supply voltage, V+. For example, the V+ power supply can be 5V, whereas the load power-supply voltage is up to +80V. The output voltage range of the OUT terminal, however, is limited by the voltages on the power-supply pin.

SELECTING R_S

The value chosen for the shunt resistor, R_S, depends on the application and is a compromise between small-signal accuracy and maximum permissible voltage loss in the measurement line. High values of R_S provide better accuracy at lower currents by minimizing the effects of offset, while low values of R_S minimize voltage loss in the supply line. For most applications, best performance is attained with an R_S value that provides a full-scale shunt voltage range of 50mV to 100mV. Maximum input voltage for accurate measurements is $(V_S - 0.2)/\text{Gain}$.

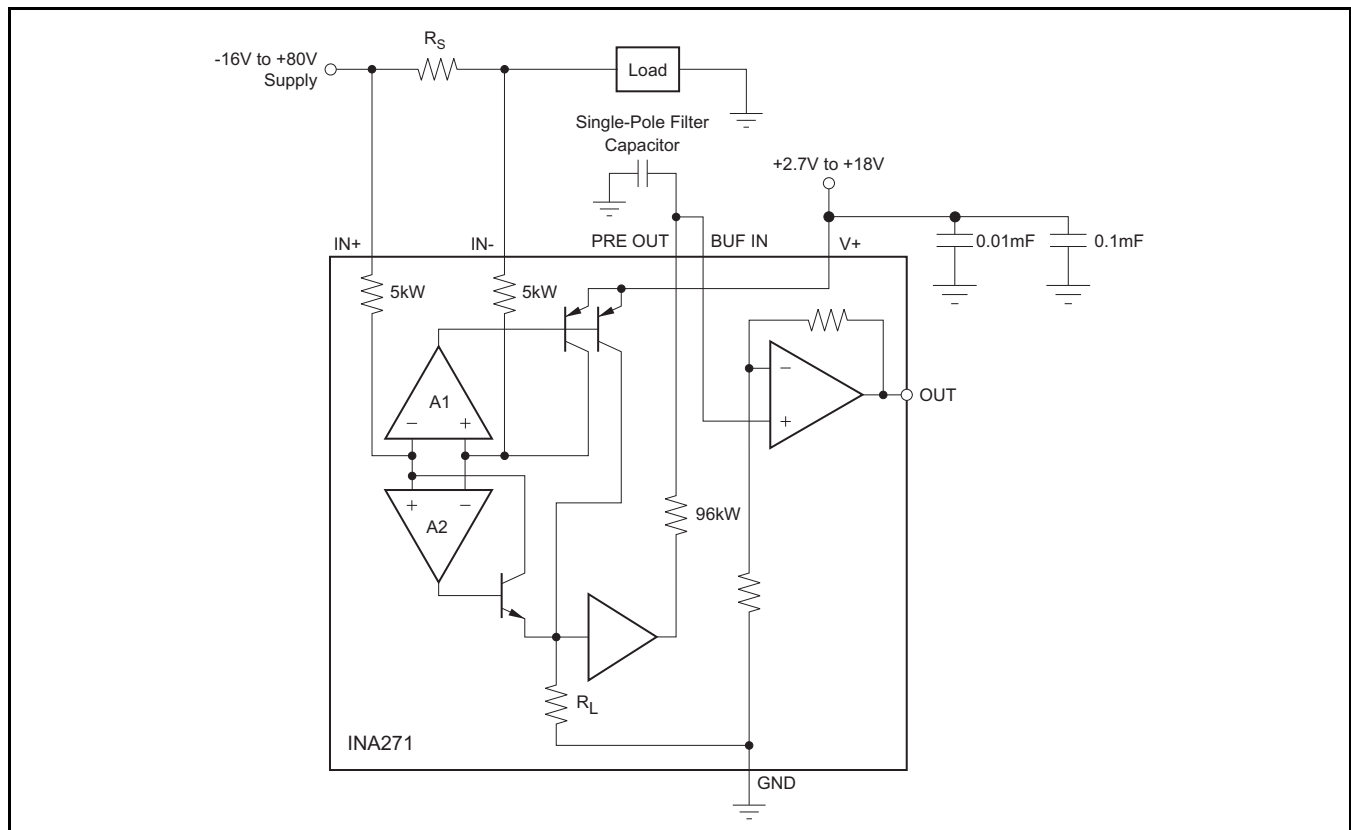


Figure 16. INA271 Basic Connections

TRANSIENT PROTECTION

The -16V to $+80\text{V}$ common-mode range of the INA271 is ideal for withstanding automotive fault conditions ranging from 12V battery reversal up to $+80\text{V}$ transients, since no additional protective components are needed up to those levels. In the event that the INA271 is exposed to transients on the inputs in excess of their ratings, external transient absorption with semiconductor transient absorbers (zeners or Transzorbs) will be necessary.

Use of MOVs or VDRs is not recommended except when they are used in addition to a semiconductor transient absorber. Select the transient absorber such that it will never allow the INA271 to be exposed to transients greater than 80V (that is, allow for transient absorber tolerance, as well as additional voltage because of transient absorber dynamic impedance). Despite the use of internal zener-type ESD protection, the INA271 is not suited to using external

resistors in series with the inputs since the internal gain resistors can vary up to $\pm 30\%$, but is tightly matched (if gain accuracy is not important, then resistors can be added in series with the INA271 inputs with two equal resistors on each input).

OUTPUT VOLTAGE RANGE

The output of the INA271 is accurate within the output voltage swing range set by the power-supply pin, $V+$.

The INA271 readily enables the inclusion of filtering between the preamp output and buffer input. Single-pole filtering can be accomplished with a single capacitor because of the $96\text{k}\Omega$ output impedance at PRE OUT on pin 3, as shown in Figure 17a.

The INA271 readily lends itself to second-order Sallen-Key configurations, as shown in Figure 17b. When designing these configurations consider that the PRE OUT $96\text{k}\Omega$ output impedance exhibits an initial variation of $\pm 30\%$ with the addition of a $-2200\text{ppm}/^\circ\text{C}$ temperature coefficient.

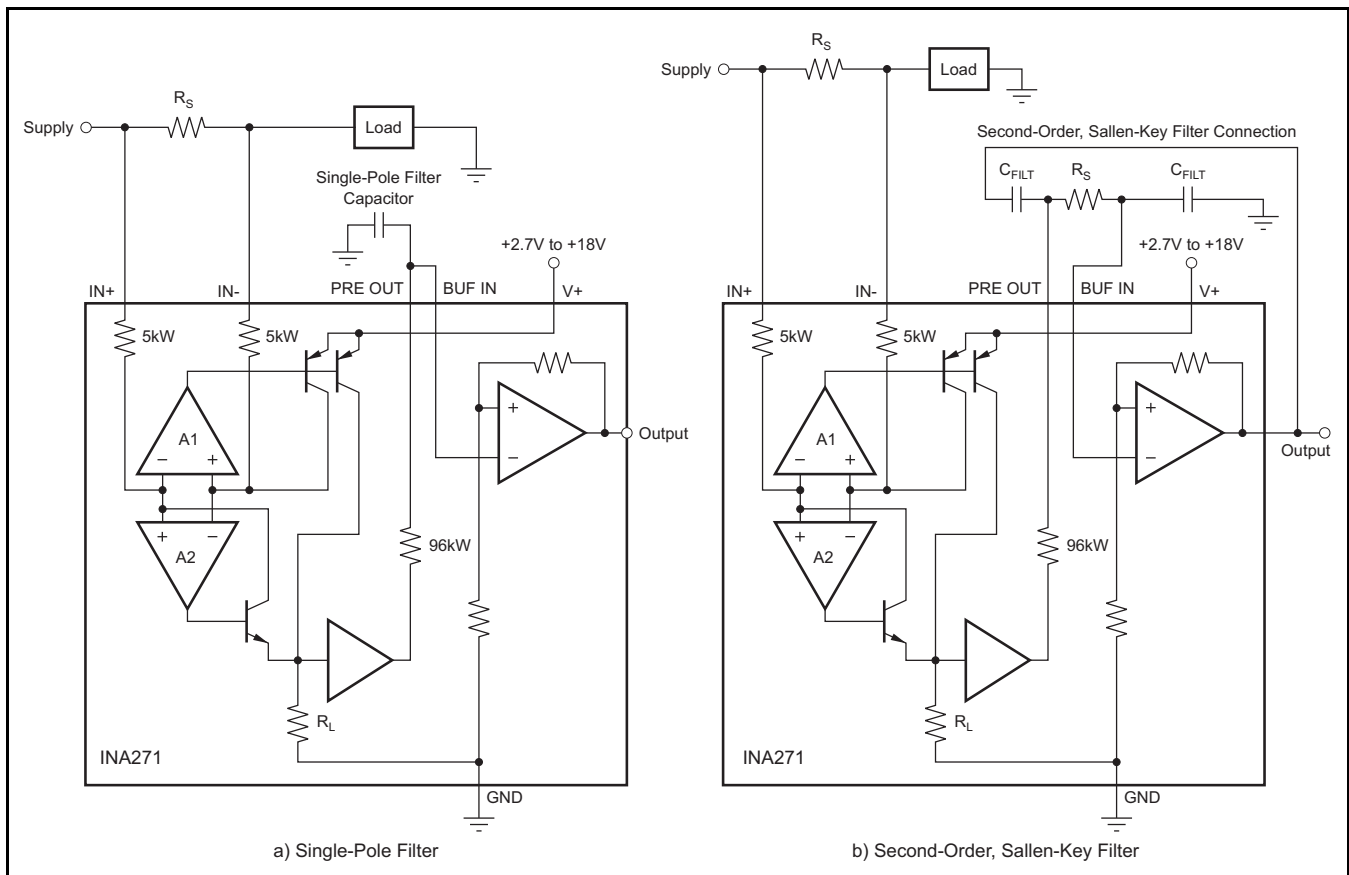


Figure 17. The INA271 can be easily connected for first- or second-order filtering. Remember to use the appropriate buffer gain of 2 when designing Sallen-Key configurations.

ACCURACY VARIATIONS AS A RESULT OF V_{SENSE} AND COMMON-MODE VOLTAGE

The accuracy of the INA271 current shunt monitor is a function of two main variables: V_{SENSE} ($V_{IN+} - V_{IN-}$) and common-mode voltage, V_{CM} , relative to the supply voltage, V_S . V_{CM} is expressed as $(V_{IN+} + V_{IN-})/2$; however, in practice, V_{CM} is seen as the voltage at V_{IN+} because the voltage drop across V_{SENSE} is usually small.

This section addresses the accuracy of these specific operating regions:

Normal Case 1: $V_{SENSE} \geq 20\text{mV}$, $V_{CM} \geq V_S$

Normal Case 2: $V_{SENSE} \geq 20\text{mV}$, $V_{CM} < V_S$

Low V_{SENSE} Case 1:

$V_{SENSE} < 20\text{mV}$, $-16\text{V} \leq V_{CM} < 0$

Low V_{SENSE} Case 2:

$V_{SENSE} < 20\text{mV}$, $0\text{V} \leq V_{CM} \leq V_S$

Low V_{SENSE} Case 3:

$V_{SENSE} < 20\text{mV}$, $V_S < V_{CM} \leq 80\text{V}$

Normal Case 1: $V_{SENSE} \geq 20\text{mV}$, $V_{CM} \geq V_S$

This region of operation provides the highest accuracy. Here, the input offset voltage is characterized and measured using a two-step method. First, the gain is determined by Equation 1.

$$G = \frac{V_{OUT1} - V_{OUT2}}{100\text{mV} - 20\text{mV}} \quad (1)$$

where:

V_{OUT1} = Output Voltage with $V_{SENSE} = 100\text{mV}$

V_{OUT2} = Output Voltage with $V_{SENSE} = 20\text{mV}$

Then the offset voltage is measured at $V_{SENSE} = 100\text{mV}$ and referred to the input (RTI) of the current shunt monitor, as shown in Equation 2.

$$V_{OS\text{RTI}} (\text{Referred-To-Input}) = \left[\frac{V_{OUT1}}{G} \right] - 100\text{mV} \quad (2)$$

In the [Typical Characteristics](#), the *Output Error vs Common-Mode Voltage* curve (Figure 7) shows the highest accuracy for the this region of operation. In this plot, $V_S = 12\text{V}$; for $V_{CM} \geq 12\text{V}$, the output error is at its minimum. This case is also used to create the $V_{SENSE} \geq 20\text{mV}$ output specifications in the [Electrical Characteristics](#) table.

Normal Case 2: $V_{SENSE} \geq 20\text{mV}$, $V_{CM} < V_S$

This region of operation has slightly less accuracy than Normal Case 1 as a result of the common-mode operating area in which the part functions, as seen in the *Output Error vs Common-Mode Voltage* curve (Figure 7). As noted, for this graph $V_S = 12\text{V}$; for $V_{CM} < 12\text{V}$, the Output Error increases as V_{CM} becomes less than 12V , with a typical maximum error of 0.005% at the most negative $V_{CM} = -16\text{V}$.

Low V_{SENSE} Case 1:

$V_{SENSE} < 20\text{mV}$, $-16\text{V} \leq V_{CM} < 0$; and

Low V_{SENSE} Case 3:

$V_{SENSE} < 20\text{mV}$, $V_S < V_{CM} \leq 80\text{V}$

Although the INA271 is not designed for accurate operation in either of these regions, some applications are exposed to these conditions. For example, when monitoring power supplies that are switched on and off while V_S is still applied to the INA271, it is important to know what the behavior of the device will be in these regions.

As V_{SENSE} approaches 0mV , in these V_{CM} regions, the device output accuracy degrades. A larger-than-normal offset can appear at the current shunt monitor output with a typical maximum value of $V_{OUT} = 60\text{mV}$ for $V_{SENSE} = 0\text{mV}$. As V_{SENSE} approaches 20mV , V_{OUT} returns to the expected output value with accuracy as specified in the [Electrical Characteristics](#). Figure 18 shows this effect (Gain = 20).

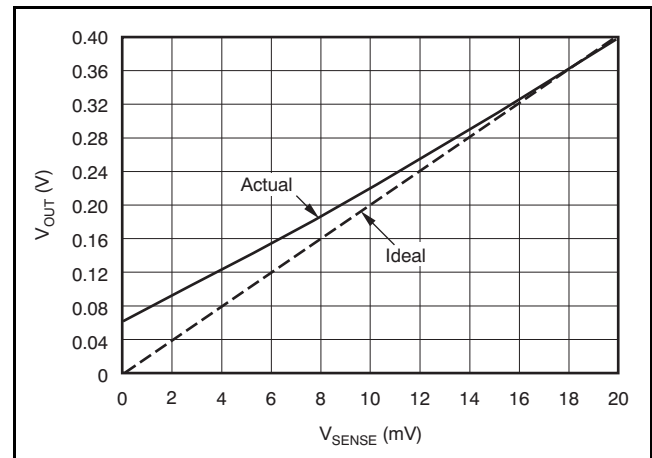


Figure 18. Example for Low V_{SENSE} Cases 1 and 3 (Gain = 20)

Low V_{SENSE} Case 2: $V_{SENSE} < 20\text{mV}$, $0\text{V} \leq V_{CM} \leq V_S$

This region of operation is the least accurate for the INA271. To achieve the wide input common-mode voltage range, this device uses two op amp front ends in parallel. One op amp front end operates in the positive input common-mode voltage range, and the other in the negative input region. For this case, neither of these two internal amplifiers dominates and overall loop gain is very low. Within this region, V_{OUT} approaches voltages close to linear operation levels for Normal Case 2.

This deviation from linear operation becomes greatest the closer V_{SENSE} approaches 0V. Within this region, as V_{SENSE} approaches 20mV, device operation is closer to that described by Normal Case 2. [Figure 19](#) illustrates this behavior for the INA271. The V_{OUT} maximum peak for this case is determined by maintaining a constant V_S , setting $V_{SENSE} = 0\text{mV}$, and sweeping V_{CM} from 0V to V_S . The exact V_{CM} at which V_{OUT} peaks during this case varies from part to part. The maximum peak voltage for the INA271 is 0.4V.

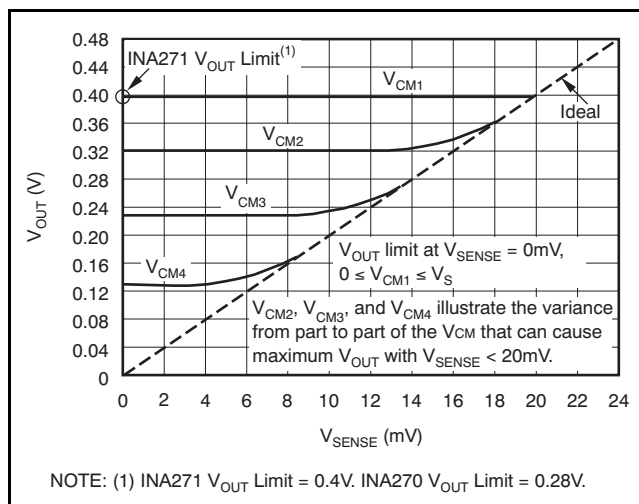


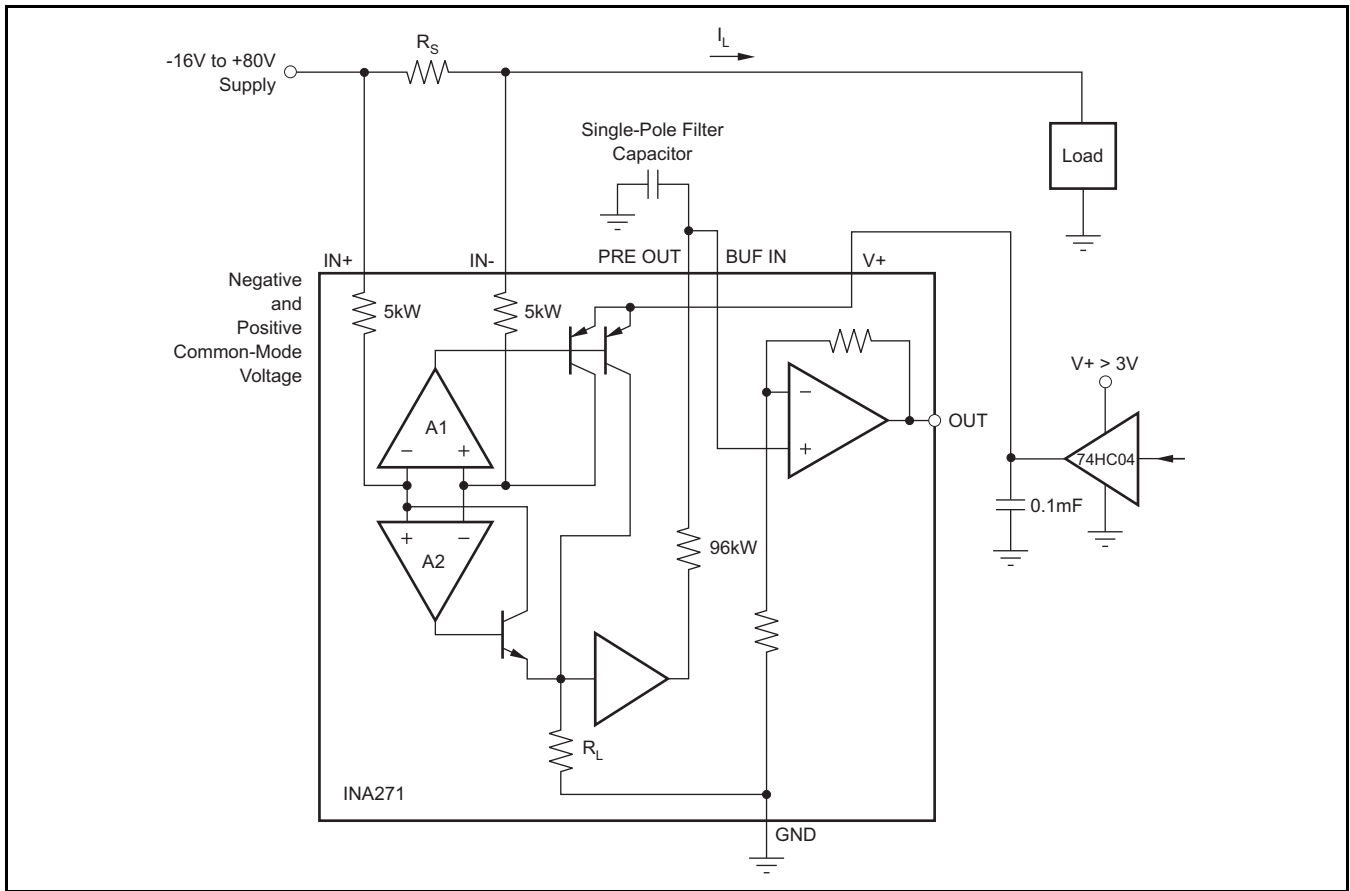
Figure 19. Example for Low V_{SENSE} Case 2 (Gain = 20)

SHUTDOWN

The INA271 does not provide a shutdown pin; however, because it consumes a quiescent current less than 1mA, it can be powered by either the output of logic gates or by transistor switches to supply power. Driving the gate low shuts down the INA271. Use a totem-pole output buffer or gate that can provide sufficient drive along with 0.1 μF bypass capacitor, preferably ceramic with good high-frequency characteristics. This gate should have a supply voltage of 3V or greater because the INA271 requires a minimum supply greater than 2.7V. In addition to eliminating quiescent current, this gate also turns off the 10 μA bias current present at each of the inputs. Note that the IN+ and IN- inputs are able to withstand full common-mode voltage under all powered and under-powered conditions. An example shutdown circuit is illustrated in [Figure 20](#).

RFI/EMI

Attention to good layout practices is always recommended. Keep traces short and, when possible, use a printed circuit board (PCB) ground plane with surface-mount components placed as close to the device pins as possible. Small ceramic capacitors placed directly across amplifier inputs can reduce RFI/EMI sensitivity. PCB layout should locate the amplifier as far away as possible from RFI sources. Sources can include other components in the same system as the amplifier itself, such as inductors (particularly switched inductors handling a lot of current and at high frequencies). RFI can generally be identified as a variation in offset voltage or dc signal levels with changes in the interfering RF signal. If the amplifier cannot be located away from sources of radiation, shielding may be needed. Twisting wire input leads makes them more resistant to RF fields. The difference in input pin location of the INA271 versus the [INA193–INA198](#) may provide different EMI performance.



(1) 74HC04 is not tested or characterized at 210°C.

Figure 20. INA271 Example Shutdown Circuit

PACKAGING INFORMATION

Orderable Device	Status ⁽¹⁾	Package Type	Package Drawing	Pins	Package Qty	Eco Plan ⁽²⁾	Lead/ Ball Finish	MSL Peak Temp ⁽³⁾	Samples (Requires Login)
INA271SHKJ	ACTIVE	CFP	HKJ	8	1	TBD	Call TI	N / A for Pkg Type	
INA271SHKQ	ACTIVE	CFP	HKQ	8	1	TBD	AU	N / A for Pkg Type	
INA271SKGD1	ACTIVE	XCEPT	KGD	0	252	TBD	Call TI	N / A for Pkg Type	

⁽¹⁾ The marketing status values are defined as follows:

ACTIVE: Product device recommended for new designs.

LIFEBUY: TI has announced that the device will be discontinued, and a lifetime-buy period is in effect.

NRND: Not recommended for new designs. Device is in production to support existing customers, but TI does not recommend using this part in a new design.

PREVIEW: Device has been announced but is not in production. Samples may or may not be available.

OBSOLETE: TI has discontinued the production of the device.

⁽²⁾ Eco Plan - The planned eco-friendly classification: Pb-Free (RoHS), Pb-Free (RoHS Exempt), or Green (RoHS & no Sb/Br) - please check <http://www.ti.com/productcontent> for the latest availability information and additional product content details.

TBD: The Pb-Free/Green conversion plan has not been defined.

Pb-Free (RoHS): TI's terms "Lead-Free" or "Pb-Free" mean semiconductor products that are compatible with the current RoHS requirements for all 6 substances, including the requirement that lead not exceed 0.1% by weight in homogeneous materials. Where designed to be soldered at high temperatures, TI Pb-Free products are suitable for use in specified lead-free processes.

Pb-Free (RoHS Exempt): This component has a RoHS exemption for either 1) lead-based flip-chip solder bumps used between the die and package, or 2) lead-based die adhesive used between the die and leadframe. The component is otherwise considered Pb-Free (RoHS compatible) as defined above.

Green (RoHS & no Sb/Br): TI defines "Green" to mean Pb-Free (RoHS compatible), and free of Bromine (Br) and Antimony (Sb) based flame retardants (Br or Sb do not exceed 0.1% by weight in homogeneous material)

⁽³⁾ MSL, Peak Temp. -- The Moisture Sensitivity Level rating according to the JEDEC industry standard classifications, and peak solder temperature.

Important Information and Disclaimer: The information provided on this page represents TI's knowledge and belief as of the date that it is provided. TI bases its knowledge and belief on information provided by third parties, and makes no representation or warranty as to the accuracy of such information. Efforts are underway to better integrate information from third parties. TI has taken and continues to take reasonable steps to provide representative and accurate information but may not have conducted destructive testing or chemical analysis on incoming materials and chemicals. TI and TI suppliers consider certain information to be proprietary, and thus CAS numbers and other limited information may not be available for release.

In no event shall TI's liability arising out of such information exceed the total purchase price of the TI part(s) at issue in this document sold by TI to Customer on an annual basis.

OTHER QUALIFIED VERSIONS OF INA271-HT :

- Catalog: [INA271](#)

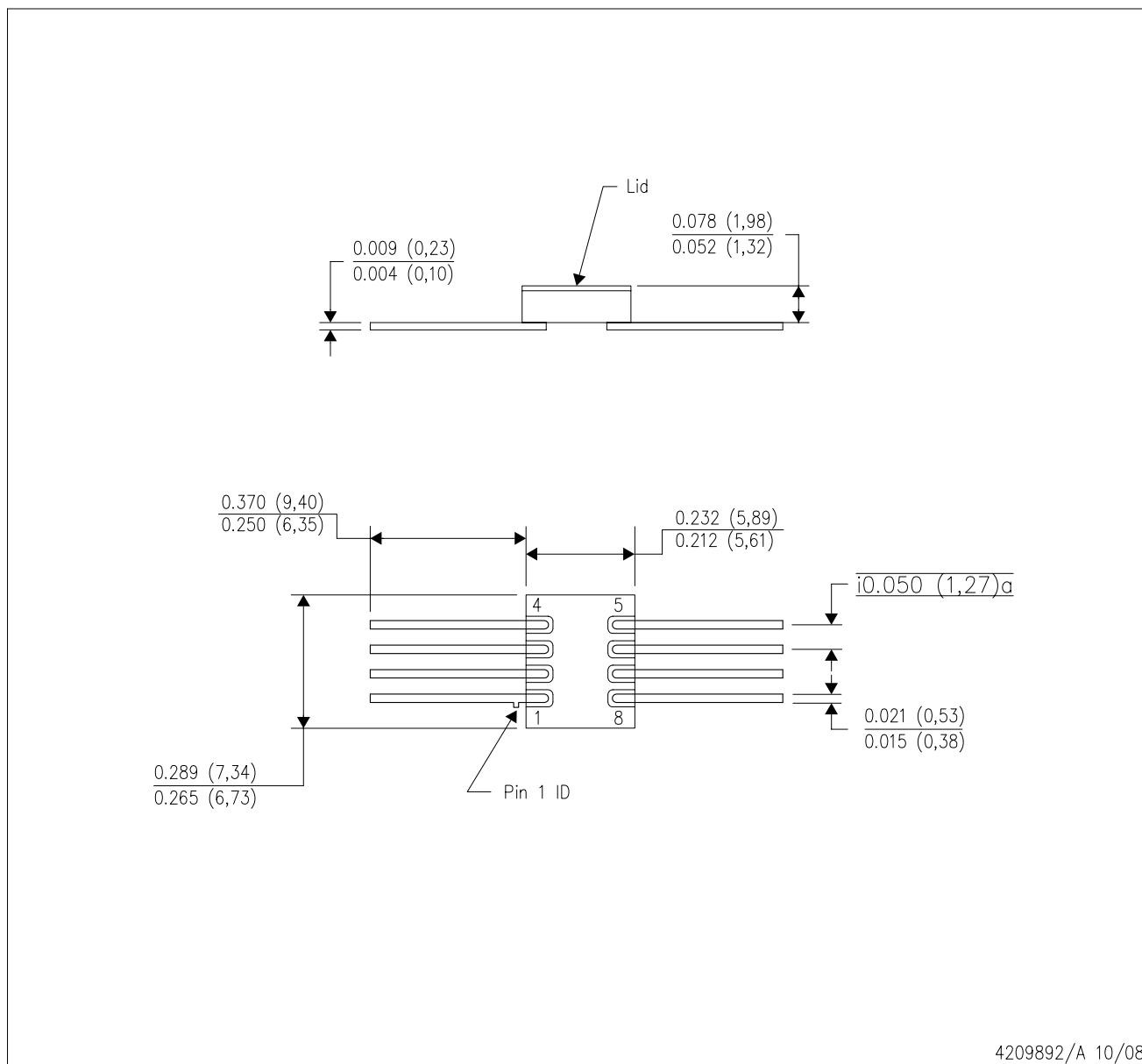
NOTE: Qualified Version Definitions:

- Catalog - TI's standard catalog product

MECHANICAL DATA

HKJ (R-CDFP-F8)

CERAMIC DUAL FLATPACK

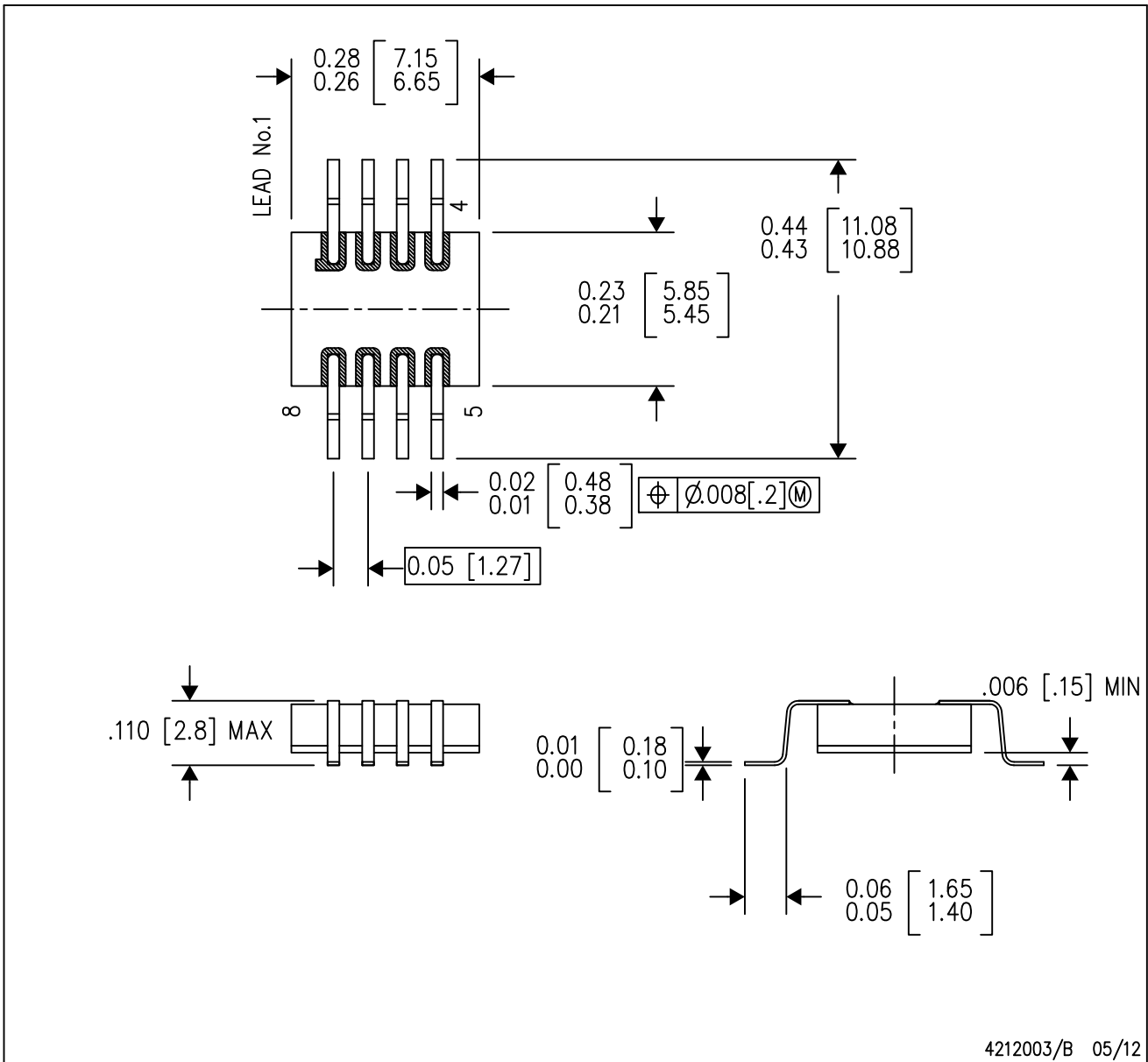


- NOTES:
- A. All linear dimensions are in inches (millimeters).
 - B. This drawing is subject to change without notice.
 - C. This package can be hermetically sealed with a metal lid.
 - D. The terminals will be gold plated.

MECHANICAL DATA

HKQ (R-CDFP-G8)

CERAMIC GULL WING



- NOTES:
- All linear dimensions are in inches (millimeters).
 - This drawing is subject to change without notice.
 - This package can be hermetically sealed with a metal lid.
 - The terminals will be gold plated.
 - Lid is not connected to any lead.

IMPORTANT NOTICE

Texas Instruments Incorporated and its subsidiaries (TI) reserve the right to make corrections, enhancements, improvements and other changes to its semiconductor products and services per JESD46C and to discontinue any product or service per JESD48B. Buyers should obtain the latest relevant information before placing orders and should verify that such information is current and complete. All semiconductor products (also referred to herein as "components") are sold subject to TI's terms and conditions of sale supplied at the time of order acknowledgment.

TI warrants performance of its components to the specifications applicable at the time of sale, in accordance with the warranty in TI's terms and conditions of sale of semiconductor products. Testing and other quality control techniques are used to the extent TI deems necessary to support this warranty. Except where mandated by applicable law, testing of all parameters of each component is not necessarily performed.

TI assumes no liability for applications assistance or the design of Buyers' products. Buyers are responsible for their products and applications using TI components. To minimize the risks associated with Buyers' products and applications, Buyers should provide adequate design and operating safeguards.

TI does not warrant or represent that any license, either express or implied, is granted under any patent right, copyright, mask work right, or other intellectual property right relating to any combination, machine, or process in which TI components or services are used. Information published by TI regarding third-party products or services does not constitute a license to use such products or services or a warranty or endorsement thereof. Use of such information may require a license from a third party under the patents or other intellectual property of the third party, or a license from TI under the patents or other intellectual property of TI.

Reproduction of significant portions of TI information in TI data books or data sheets is permissible only if reproduction is without alteration and is accompanied by all associated warranties, conditions, limitations, and notices. TI is not responsible or liable for such altered documentation. Information of third parties may be subject to additional restrictions.

Resale of TI components or services with statements different from or beyond the parameters stated by TI for that component or service voids all express and any implied warranties for the associated TI component or service and is an unfair and deceptive business practice. TI is not responsible or liable for any such statements.

Buyer acknowledges and agrees that it is solely responsible for compliance with all legal, regulatory and safety-related requirements concerning its products, and any use of TI components in its applications, notwithstanding any applications-related information or support that may be provided by TI. Buyer represents and agrees that it has all the necessary expertise to create and implement safeguards which anticipate dangerous consequences of failures, monitor failures and their consequences, lessen the likelihood of failures that might cause harm and take appropriate remedial actions. Buyer will fully indemnify TI and its representatives against any damages arising out of the use of any TI components in safety-critical applications.

In some cases, TI components may be promoted specifically to facilitate safety-related applications. With such components, TI's goal is to help enable customers to design and create their own end-product solutions that meet applicable functional safety standards and requirements. Nonetheless, such components are subject to these terms.

No TI components are authorized for use in FDA Class III (or similar life-critical medical equipment) unless authorized officers of the parties have executed a special agreement specifically governing such use.

Only those TI components which TI has specifically designated as military grade or "enhanced plastic" are designed and intended for use in military/aerospace applications or environments. Buyer acknowledges and agrees that any military or aerospace use of TI components which have **not** been so designated is solely at the Buyer's risk, and that Buyer is solely responsible for compliance with all legal and regulatory requirements in connection with such use.

TI has specifically designated certain components which meet ISO/TS16949 requirements, mainly for automotive use. Components which have not been so designated are neither designed nor intended for automotive use; and TI will not be responsible for any failure of such components to meet such requirements.

Products

Audio	www.ti.com/audio
Amplifiers	amplifier.ti.com
Data Converters	dataconverter.ti.com
DLP® Products	www.dlp.com
DSP	dsp.ti.com
Clocks and Timers	www.ti.com/clocks
Interface	interface.ti.com
Logic	logic.ti.com
Power Mgmt	power.ti.com
Microcontrollers	microcontroller.ti.com
RFID	www.ti-rfid.com
OMAP Mobile Processors	www.ti.com/omap
Wireless Connectivity	www.ti.com/wirelessconnectivity

Applications

Automotive and Transportation	www.ti.com/automotive
Communications and Telecom	www.ti.com/communications
Computers and Peripherals	www.ti.com/computers
Consumer Electronics	www.ti.com/consumer-apps
Energy and Lighting	www.ti.com/energy
Industrial	www.ti.com/industrial
Medical	www.ti.com/medical
Security	www.ti.com/security
Space, Avionics and Defense	www.ti.com/space-avionics-defense
Video and Imaging	www.ti.com/video

TI E2E Community e2e.ti.com