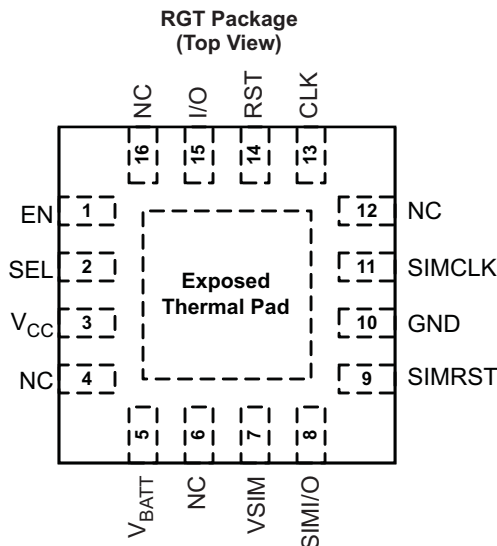


1.8V/3V SIM Card Power Supply With Level Translator

Check for Samples: [TXS4555](#)

FEATURES

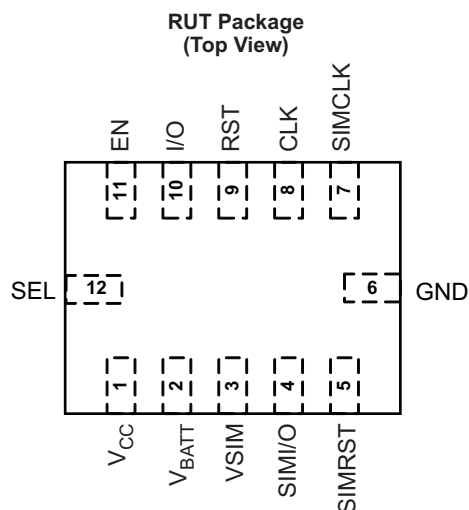
- **Level Translator**
 - V_{CC} Range of 1.65 V to 3.3 V
 - V_{BATT} Range from 2.3 to 5.5V
- **Low-Dropout (LDO) Regulator**
 - 50-mA LDO Regulator With Enable
 - 1.8-V or 2.95-V Selectable Output Voltage
 - 2.3-V to 5.5-V Input Voltage Range
 - Very Low Dropout: 100mV (Max) at 50mA
- **Incorporates Shutdown Feature for the SIM Card Signals According to ISO-7816-3**
- **ESD Protection Exceeds JESD 22**
 - 2000-V Human-Body Model (A114-B)
 - 500-V Charged-Device Model (C101)
 - 8kV HBM for SIM Pins
- **Package**
 - 16-Pin QFN (3 mm x 3 mm)
 - 12-Pin QFN (2mm x 1.7mm)



Note: The Exposed center thermal pad must be connected to Ground

DESCRIPTION

The TXS4555 is a complete Smart Identity Module (SIM) card solution for interfacing wireless baseband processors with a SIM card to store I/O for mobile handset applications. The device complies with ISO/IEC Smart-Card Interface requirements as well as GSM and 3G mobile standards. It includes a high-speed level translator capable of supporting Class-B (2.95 V) and Class-C (1.8 V) interfaces, a low-dropout (LDO) voltage regulator that has output voltages that are selectable between 2.95-V Class-B and 1.8-V Class-C interfaces.



The device has two supply voltage pins. V_{CC} can be operated over the full range of 1.65 V to 3.3 V and V_{BATT} from 2.3 to 5.5 V. V_{PWR} is set to either 1.8 V or 2.95 V and is supplied by an internal LDO. The integrated LDO accepts input voltages as high as 5.5 V and outputs either 1.8 V or 2.95 V at 50 mA to the B-side circuitry and to the external SIM card. The TXS4555 enables system designers to easily interface low-voltage microprocessors to SIM cards operating at 1.8 V or 2.95 V.

The TXS4555 also incorporates shutdown sequence for the SIM card pins based on the ISO 7816-3 specification for SIM cards. Proper shutdown of the SIM card signals helps in prevention of corruption of data during accidental shutdown of the phone. The device also has 8kV HBM protection for the SIM pins and standard 2kV HBM protection for all the other pins.



Please be aware that an important notice concerning availability, standard warranty, and use in critical applications of Texas Instruments semiconductor products and disclaimers thereto appears at the end of this data sheet.



This integrated circuit can be damaged by ESD. Texas Instruments recommends that all integrated circuits be handled with appropriate precautions. Failure to observe proper handling and installation procedures can cause damage.

ESD damage can range from subtle performance degradation to complete device failure. Precision integrated circuits may be more susceptible to damage because very small parametric changes could cause the device not to meet its published specifications.

ORDERING INFORMATION⁽¹⁾

T _A	PACKAGE ⁽²⁾		ORDERABLE PART NUMBER	TOP-SIDE MARKING
-40°C to 85°C	QFN – RGT (pin 1, quadrant 1)	Tape and reel	TXS4555RGTR	ZUT
	QFN – RUT (pin 1, quadrant 1)		TXS4555RUTR	69R

- (1) For the most current package and ordering information, see the Package Option Addendum at the end of this document, or see the TI web site at www.ti.com.
- (2) Package drawings, thermal data, and symbolization are available at www.ti.com/packaging.

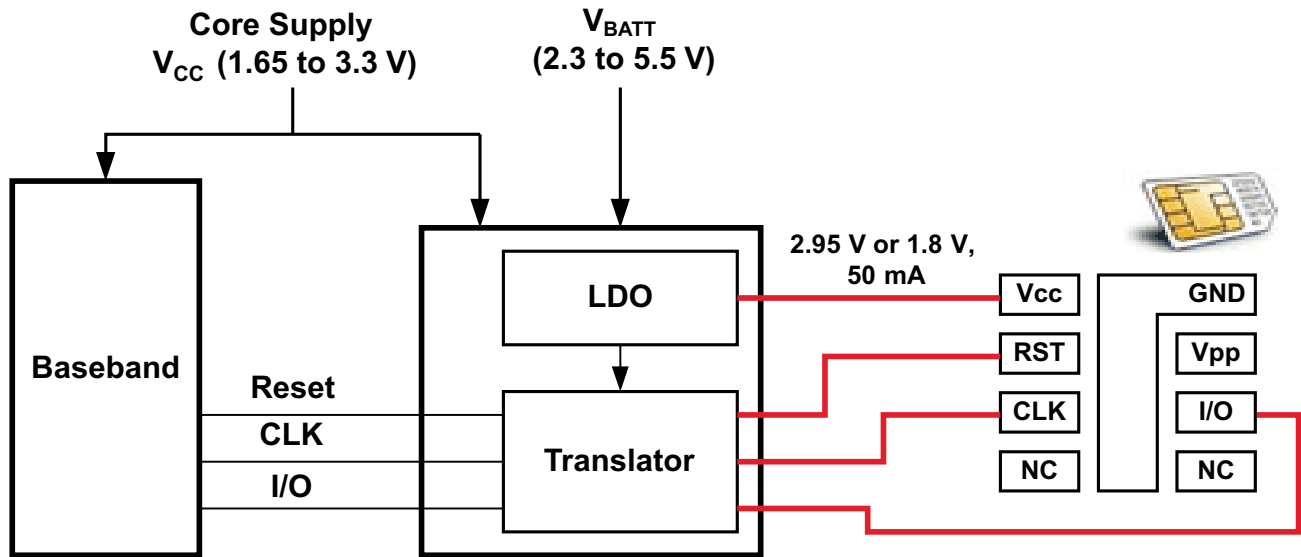


Figure 1. Interfacing with SIM Card

PIN FUNCTIONS

PIN NAME	PIN NO.		TYPE ⁽¹⁾	DESCRIPTION
	RGT	RUT		
EN	1	11	I	Enable/disable control input. Pull EN low to place all outputs in Hi-Z state and to disable the LDO. Referenced to VCC.
SEL	2	12	I	Pin to program VSIM value (Low = 1.8V, High = 2.95V)
Vcc	3	1	P	Power supply voltage which powers all A-port I/Os and control inputs
VBATT	5	2	P	Battery power supply
VSIM	7	3	O	SIM card Power-Supply pin (1.8V or 2.95V)
SIM_I/O	8	4	I/O	Bidirectional SIM I/O pin which connected to I/O pin of the SIM card connector
SIM_RST	9	5	O	SIM Reset pin which connects to RESET pin of the SIM card connector
GND	10	6	G	Ground
SIM_CLK	11	7	O	Clock signal pin which connects to CLK pin of the SIM card connector
CLK	13	8	I	Clock signal pin connected from baseband processor
RST	14	9	I	SIM Reset pin connected from baseband processor
I/O	15	10	I/O	Bidirectional SIM I/O pin which connected from baseband processor
NC	4, 6, 12, 16	–	NC	No Connects

(1) G = Ground, I = Input, O = Output, P = Power

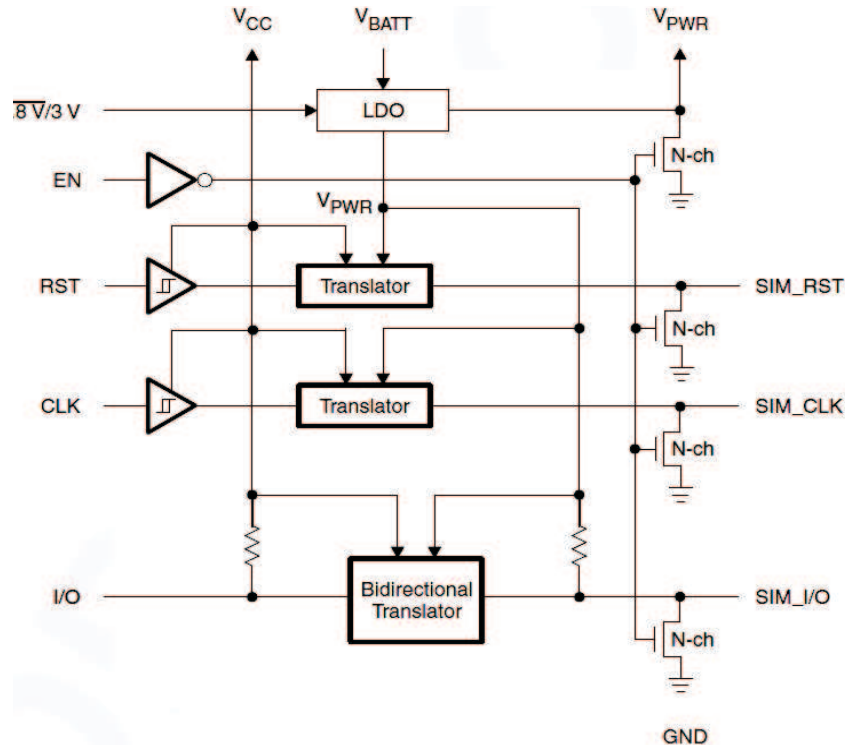


Figure 2. Block Diagram

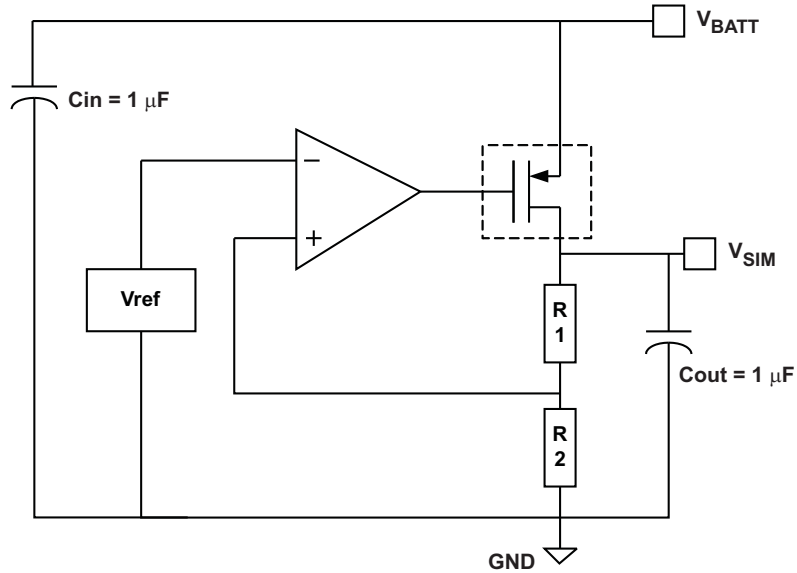


Figure 3. Block Diagram of the LDO

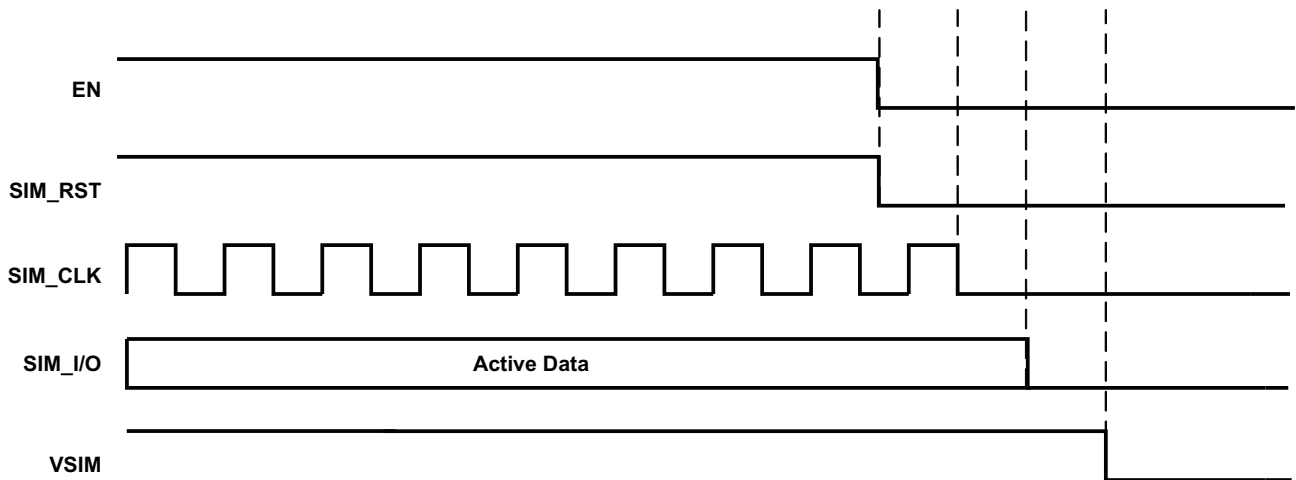


Figure 4. Shutdown Sequence for SIM_RST, SIM_CLK, SIM_IO and VSIM

The shutdown sequence for the SIM signals is based on the ISO 7816-3 specification. The shutdown sequence of these signals helps to properly disable these channels and not have any corruption of data accidentally. Also, this is also helpful when the SIM card is present in a hot swap slot and when pulling out the SIM card, the orderly shutdown of these signals help avoid any improper write/corruption of data.

When EN is taken low, the shutdown sequence happens by powering of the SIM_RST channel. Once that is achieved, SIM_CLK, SIM_I/O and VSIM are powered sequentially one by one. There is an internal 2K pull-down value on the SIM pins and helps to pull these channels low. The shutdown time sequence is in the order of a few microseconds. It is important that EN is taken low before VBAT and VCC supplies go low so that the shutdown sequence can be initiated properly.

ABSOLUTE MAXIMUM RATINGS⁽¹⁾

over operating free-air temperature range (unless otherwise noted)

			VALUE		UNIT
			MIN	MAX	
LEVEL TRANSLATOR					
V_{CC}	Supply voltage range		-0.3	4.0	V
V_I	Input voltage range	V_{CC} -port	-0.5	4.6	V
		SIM-port	-0.5	4.6	
		Control inputs	-0.5	4.6	
V_O	Voltage range applied to any output in the high-impedance or power-off state	V_{CC} -port	-0.5	4.6	V
		VSIM-port	-0.5	4.6	
		Control inputs	-0.5	4.6	
V_O	Voltage range applied to any output in the high or low state	V_{CC} -port	-0.5	4.6	V
		SIM-port	-0.5	4.6	
		Control inputs	-0.5	4.6	
I_{IK}	Input clamp current	$V_I < 0$		-50	mA
I_{OK}	Output clamp current	$V_O < 0$		-50	mA
I_O	Continuous output current			±50	mA
	Continuous current through VCCA or GND			±100	mA
T_{stg}	Storage temperature range		-65	150	°C
LDO					
V_{BAT}	Input voltage range		-0.3	6	V
V_{OUT}	Output voltage range		-0.3	6	V
	Peak output current		TBD		mA
	Continuous total power dissipation			TBD	
T_J	Junction temperature range		-55	150	°C
T_{stg}	Storage temperature range		-55	150	°C
	ESD rating (host side)	Human-Body Model (HBM)		2	kV
		Charged-Device Model (CDM)		500	V
	ESD rating (SIM side)	Human-Body Model (HBM)		8	kV

(1) Stresses beyond those listed under “absolute maximum ratings” may cause permanent damage to the device. These are stress ratings only, and functional operation of the device at these or any other conditions beyond those indicated under “recommended operating conditions” is not implied. Exposure to absolute-maximum-rated conditions for extended periods may affect device reliability.

THERMAL INFORMATION

THERMAL METRIC ⁽¹⁾		TXS4555		UNITS
		RGT	RUT	
		16 PINS	12 PINS	
θ_{JA}	Junction-to-ambient thermal resistance	47	87.2	°C/W
θ_{JB}	Junction-to-board thermal resistance	25.12	N/A	
ψ_{JT}	Junction-to-top characterization parameter	1.3	1.7	
θ_{Jcbot}	Junction-to-case (bottom) thermal resistance	3.6	n/A	

(1) For more information about traditional and new thermal metrics, see the *IC Package Thermal Metrics* application report, [SPRA953](#).

RECOMMENDED OPERATING CONDITIONS⁽¹⁾

			MIN	MAX	UNIT
LEVEL TRANSLATOR					
V_{CC}	Supply voltage		1.65	3.3	V

(1) All unused data inputs of the device must be held at V_{CCI} or GND to ensure proper device operation. Refer to the TI application report, *Implications of Slow or Floating CMOS Inputs*, literature number [SCBA004](#).

RECOMMENDED OPERATING CONDITIONS⁽¹⁾ (continued)

			MIN	MAX	UNIT
V _{IH}	High-level input voltage	EN, SEL	V _{CC} × 0.7	V _{CC}	V
V _{IL}	Low-level input voltage		0	V _{CC} × 0.3	V
Δt/Δv	Input transition rise or fall rate			5	ns/V
T _A	Operating free-air temperature		–40	85	°C

ELECTRICAL CHARACTERISTICS – LEVEL TRANSLATOR

over recommended operating free-air temperature range (unless otherwise noted)

PARAMETER		TEST CONDITIONS	V _{CC}	VSIM	MIN	TYP ⁽¹⁾	MAX	UNIT
V _{OH}	SIM_RST	I _{OH} = –1mA	1.65 V to 3.3 V	1.8 V / 2.95 V ⁽²⁾	V _{SIM} × 0.8			V
	SIM_CLK	I _{OH} = –1mA			V _{SIM} × 0.8			
	SIM_I/O	I _{OH} = –20 μA			V _{SIM} × 0.8			
	I/O	I _{OH} = –20 μA			V _{CC} × 0.8			
V _{OL}	SIM_RST	I _{OL} = 1 mA	1.65 V to 3.3 V	1.8 V / 2.95 V ⁽²⁾			V _{SIM} × 0.2	V
	SIM_CLK	I _{OL} = 1mA					V _{SIM} × 0.2	
	SIM_I/O	I _{OL} = 1 mA					0.3	
	I/O	I _{OL} = 1 mA					0.3	
I _I	Control inputs	V _I = EN, 1.8V/3V	1.65 V to 3.3 V	1.8 V / 2.95 V ⁽²⁾			±1	μA
I _{CC}	I/O	V _I = V _{CC} ; I _O = 0	1.65 V to 3.3 V	1.8 V / 2.95 V ⁽²⁾			±5	μA
C _{io}	I/O port					8		pF
	SIM ports					4		
C _i	Control inputs	V _I = V _{CC} or GND				4		pF

(1) All typical values are at T_A = 25°C.

(2) (Supplied by LDO)

LDO ELECTRICAL CHARACTERISTICS

PARAMETER		TEST CONDITIONS	MIN	TYP ⁽¹⁾	MAX	UNIT
V _{BAT}	Input voltage		2.3		5.5	V
V _{SIM}	Output voltage	Class-B Mode (SEL = V _{CC})	2.85	2.95	3.05	V
		Class-C Mode (SEL = 0)	1.7	1.8	1.9	
V _{DO}	Dropout voltage	I _{OUT} = 50 mA			100	mV
I _{GND}	Ground-pin current	I _{OUT} = 0 mA			35	μA
I _{SHDN}	Shutdown current (IGND)	V _{ENx} ≤ 0.4 V, (V _{SIM} + V _{DO}) ≤ V _{BAT} ≤ 5.5 V, T _J = 85°C			3.5	μA
I _{OUT(SC)}	Short-circuit current	R _L = 0 Ω		145		mA
C _{OUT}	Output Capacitor			1		μF
PSRR	Power-supply rejection ratio	V _{BAT} = 3.25 V, V _{SIM} = 1.8 V or 2.95 V, C _{OUT} = 1 μF, I _{OUT} = 50 mA	f = 1 kHz	50		dB
			f = 10 kHz	40		
T _{STR}	Start-up time	V _{SIM} = 1.8 V or 2.95 V, I _{OUT} = 50 mA, C _{OUT} = 1 μF			400	μS
T _J	Operating junction temperature		–40		125	°C

(1) All typical values are at T_A = 25°C.**GENERAL ELECTRICAL CHARACTERISTICS**

over operating free-air temperature range (unless otherwise noted)

PARAMETER		TEST CONDITIONS	MIN	TYP	MAX	UNIT
R _{I/OPU}	I/O pull-up		16	20	24	kΩ
R _{SIMPU}	SIM_I/O pull-up		10	14	18	kΩ

GENERAL ELECTRICAL CHARACTERISTICS (continued)

over operating free-air temperature range (unless otherwise noted)

PARAMETER		TEST CONDITIONS	MIN	TYP	MAX	UNIT
R_{SIMPd}	SIM_I/O pull-down	Active pull-downs are connected to the VSIM regulator output to the SIM_CLK, SIM_RST, SIM_I/O when EN = 0			3	k Ω

SWITCHING CHARACTERISTICS

over recommended operating free-air temperature range (unless otherwise noted)

PARAMETER		TEST CONDITIONS	$V_{CC} = 1.8\text{ V} \pm 0.15\text{ V}$		UNIT	
			MIN	MAX		
VSIM = 1.8 V or 2.95 V SUPPLIED BY INTERNAL LDO						
t_{rA}	SIM_I/O	$C_L = 50\text{ pF}$			1	μs
t_{rB}	SIM_RST				1	μs
	SIM_CLK				18	ns
	SIM_I/O				1	us
f_{max}	SIM_CLK				25	MHz
Duty Cycle	SIM_CLK		40%	60%		

OPERATING CHARACTERISTICS

$T_A = 25^\circ\text{C}$, $V_{SIM} = 1.8\text{ V}$

PARAMETER		TEST CONDITIONS	Vcc TYP	UNIT
			1.8 V	
$C_{pdA}^{(1)}$	Class B	$C_L = 0$, $f = 5\text{ MHz}$, $t_r = t_f = 1\text{ ns}$	13	pF
	Class C		11	

(1) Power dissipation capacitance per transceiver.

TYPICAL CHARACTERISTICS

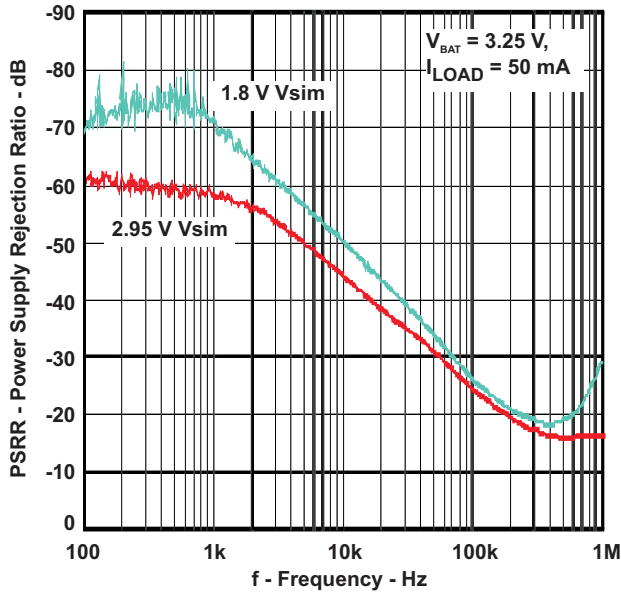


Figure 5. PSRR

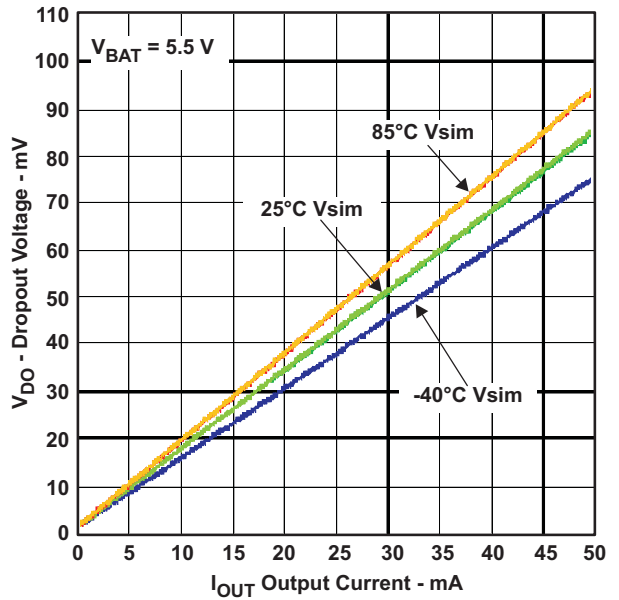


Figure 6. Dropout Voltage vs Output Current

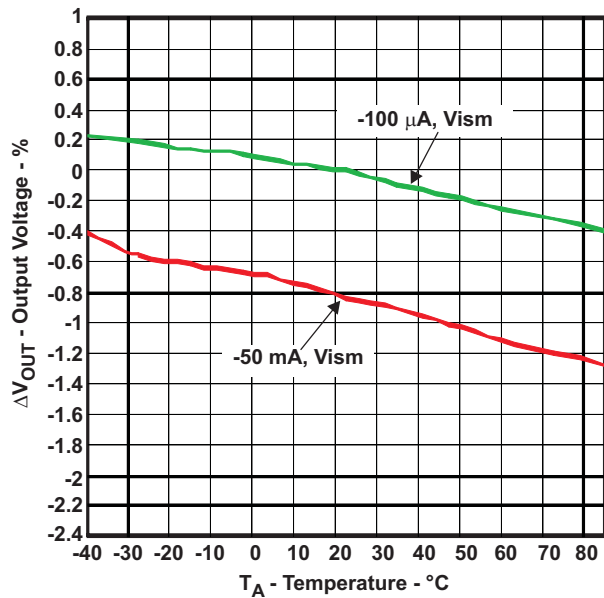


Figure 7. Output Voltage vs Temperature, Class-B/C

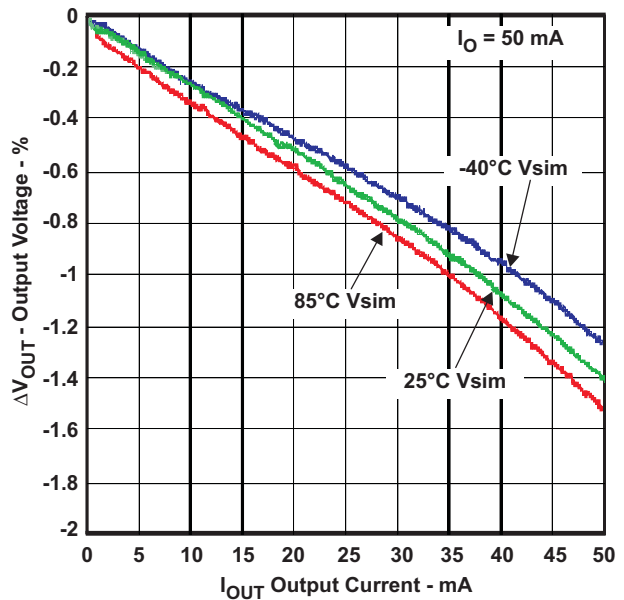


Figure 8. Load Regulation, I_{OUT} = 50 mA, Class-C

APPLICATION INFORMATION

The LDO's included on the TXS4555 achieve ultra-wide bandwidth and high loop gain, resulting in extremely high PSRR at very low headroom ($V_{BAT} - V_{SIM}$). The TXS4555 provides fixed regulation at 1.8V or 2.95V. Low noise, enable, low ground pin current make it ideal for portable applications. The device offers sub-bandgap output voltages, current limit and thermal protection, and is fully specified from -40°C to 125°C .

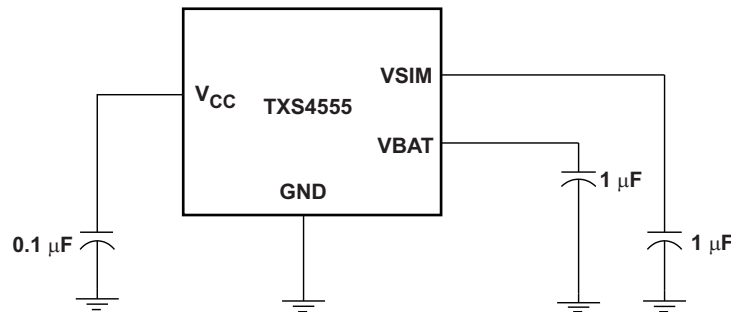


Figure 9. Typical Application Circuit for TXS4555

INPUT AND OUTPUT CAPACITOR REQUIREMENTS

It is good analog design practice to connect a $1.0\ \mu\text{F}$ low equivalent series resistance (ESR) capacitor across the input supply (VBAT) near the regulator. Also, a $0.1\ \mu\text{F}$ is required for the logic core supply (VDDIO).

This capacitor will counteract reactive input sources and improve transient response, noise rejection, and ripple rejection. A higher-value capacitor may be necessary if large, fast rise-time load transients are anticipated or if the device is located several inches from the power source. The LDO's are designed to be stable with standard ceramic capacitors of values $1.0\ \mu\text{F}$ or larger. X5R- and X7R-type capacitors are best because they have minimal variation in value and ESR over temperature. Maximum ESR should be $< 1.0\ \Omega$.

OUTPUT NOISE

In most LDO's, the bandgap is the dominant noise source. To improve ac performance such as PSRR, output noise, and transient response, it is recommended that the board be designed with separate ground planes for V_{IN} and V_{OUT} , with each ground plane connected only at the GND pin of the device. In addition, the ground connection for the bypass capacitor should connect directly to the GND pin of the device.

INTERNAL CURRENT LIMIT

The TXS4555 internal current limit helps protect the regulator during fault conditions. During current limit, the output sources a fixed amount of current that is largely independent of output voltage. For reliable operation, the device should not be operated in a current limit state for extended periods of time.

The PMOS pass element in the TXS4555 has a built-in body diode that conducts current when the voltage at VSIM exceeds the voltage at VBAT. This current is not limited, so if extended reverse voltage operation is anticipated, external limiting may be appropriate.

DROPOUT VOLTAGE

The TXS4555 uses a PMOS pass transistor to achieve low dropout. When $(V_{BAT} - V_{SIM})$ is less than the dropout voltage (V_{DO}), the PMOS pass device is in its linear region of operation and the input-to-output resistance is the $R_{DS(ON)}$ of the PMOS pass element. V_{DO} will approximately scale with output current because the PMOS device behaves like a resistor in dropout.

STARTUP

The TXS4555 uses a quick-start circuit which allows the combination of very low output noise and fast start-up times.

TRANSIENT RESPONSE

As with any regulator, increasing the size of the output capacitor reduces over/undershoot magnitude but increases duration of the transient response.

MINIMUM LOAD

The TXS4555 is stable and well-behaved with no output load. Traditional PMOS LDO regulators suffer from lower loop gain at very light output loads. The TXS4555 employs an innovative low-current mode circuit to increase loop gain under very light or no-load conditions, resulting in improved output voltage regulation performance down to zero output current.

THERMAL INFORMATION

Thermal Protection

Thermal protection disables the output when the junction temperature rises to approximately +160°C, allowing the device to cool. When the junction temperature cools to approximately +140°C the output circuitry is again enabled. Depending on power dissipation, thermal resistance, and ambient temperature, the thermal protection circuit may cycle on and off. This cycling limits the dissipation of the regulator, protecting it from damage because of overheating.

Any tendency to activate the thermal protection circuit indicates excessive power dissipation or an inadequate heat sink. For reliable operation, junction temperature should be limited to +125°C maximum. To estimate the margin of safety in a complete design (including heat sink), increase the ambient temperature until the thermal protection is triggered; use worst-case loads and signal conditions. For good reliability, thermal protection should trigger at least +35°C above the maximum expected ambient condition of your particular application. This configuration produces a worst-case junction temperature of +125°C at the highest expected ambient temperature and worst-case load.

The internal protection circuitry of the TXS4555 has been designed to protect against overload conditions. It was not intended to replace proper heat sinking. Continuously running the TXS4555 into thermal shutdown will degrade device reliability.

PACKAGING INFORMATION

Orderable Device	Status (1)	Package Type	Package Drawing	Pins	Package Qty	Eco Plan (2)	Lead/Ball Finish	MSL Peak Temp (3)	Op Temp (°C)	Device Marking (4/5)	Samples
TXS4555RGTR	ACTIVE	QFN	RGT	16	3000	Green (RoHS & no Sb/Br)	CU NIPDAU	Level-2-260C-1 YEAR	-40 to 85	ZUT	Samples
TXS4555RUTR	ACTIVE	UQFN	RUT	12	3000	Green (RoHS & no Sb/Br)	CU NIPDAU	Level-1-260C-UNLIM	-40 to 85	69R	Samples

(1) The marketing status values are defined as follows:

ACTIVE: Product device recommended for new designs.

LIFEBUY: TI has announced that the device will be discontinued, and a lifetime-buy period is in effect.

NRND: Not recommended for new designs. Device is in production to support existing customers, but TI does not recommend using this part in a new design.

PREVIEW: Device has been announced but is not in production. Samples may or may not be available.

OBSOLETE: TI has discontinued the production of the device.

(2) Eco Plan - The planned eco-friendly classification: Pb-Free (RoHS), Pb-Free (RoHS Exempt), or Green (RoHS & no Sb/Br) - please check <http://www.ti.com/productcontent> for the latest availability information and additional product content details.

TBD: The Pb-Free/Green conversion plan has not been defined.

Pb-Free (RoHS): TI's terms "Lead-Free" or "Pb-Free" mean semiconductor products that are compatible with the current RoHS requirements for all 6 substances, including the requirement that lead not exceed 0.1% by weight in homogeneous materials. Where designed to be soldered at high temperatures, TI Pb-Free products are suitable for use in specified lead-free processes.

Pb-Free (RoHS Exempt): This component has a RoHS exemption for either 1) lead-based flip-chip solder bumps used between the die and package, or 2) lead-based die adhesive used between the die and leadframe. The component is otherwise considered Pb-Free (RoHS compatible) as defined above.

Green (RoHS & no Sb/Br): TI defines "Green" to mean Pb-Free (RoHS compatible), and free of Bromine (Br) and Antimony (Sb) based flame retardants (Br or Sb do not exceed 0.1% by weight in homogeneous material)

(3) MSL, Peak Temp. -- The Moisture Sensitivity Level rating according to the JEDEC industry standard classifications, and peak solder temperature.

(4) There may be additional marking, which relates to the logo, the lot trace code information, or the environmental category on the device.

(5) Multiple Device Markings will be inside parentheses. Only one Device Marking contained in parentheses and separated by a "~" will appear on a device. If a line is indented then it is a continuation of the previous line and the two combined represent the entire Device Marking for that device.

Important Information and Disclaimer: The information provided on this page represents TI's knowledge and belief as of the date that it is provided. TI bases its knowledge and belief on information provided by third parties, and makes no representation or warranty as to the accuracy of such information. Efforts are underway to better integrate information from third parties. TI has taken and continues to take reasonable steps to provide representative and accurate information but may not have conducted destructive testing or chemical analysis on incoming materials and chemicals. TI and TI suppliers consider certain information to be proprietary, and thus CAS numbers and other limited information may not be available for release.

In no event shall TI's liability arising out of such information exceed the total purchase price of the TI part(s) at issue in this document sold by TI to Customer on an annual basis.

TAPE AND REEL INFORMATION
REEL DIMENSIONS

TAPE DIMENSIONS


A0	Dimension designed to accommodate the component width
B0	Dimension designed to accommodate the component length
K0	Dimension designed to accommodate the component thickness
W	Overall width of the carrier tape
P1	Pitch between successive cavity centers

TAPE AND REEL INFORMATION

*All dimensions are nominal

Device	Package Type	Package Drawing	Pins	SPQ	Reel Diameter (mm)	Reel Width W1 (mm)	A0 (mm)	B0 (mm)	K0 (mm)	P1 (mm)	W (mm)	Pin1 Quadrant
TXS4555RGTR	QFN	RGT	16	3000	330.0	12.4	3.3	3.3	1.1	8.0	12.0	Q2
TXS4555RUTR	UQFN	RUT	12	3000	180.0	8.4	1.95	2.3	0.75	4.0	8.0	Q1

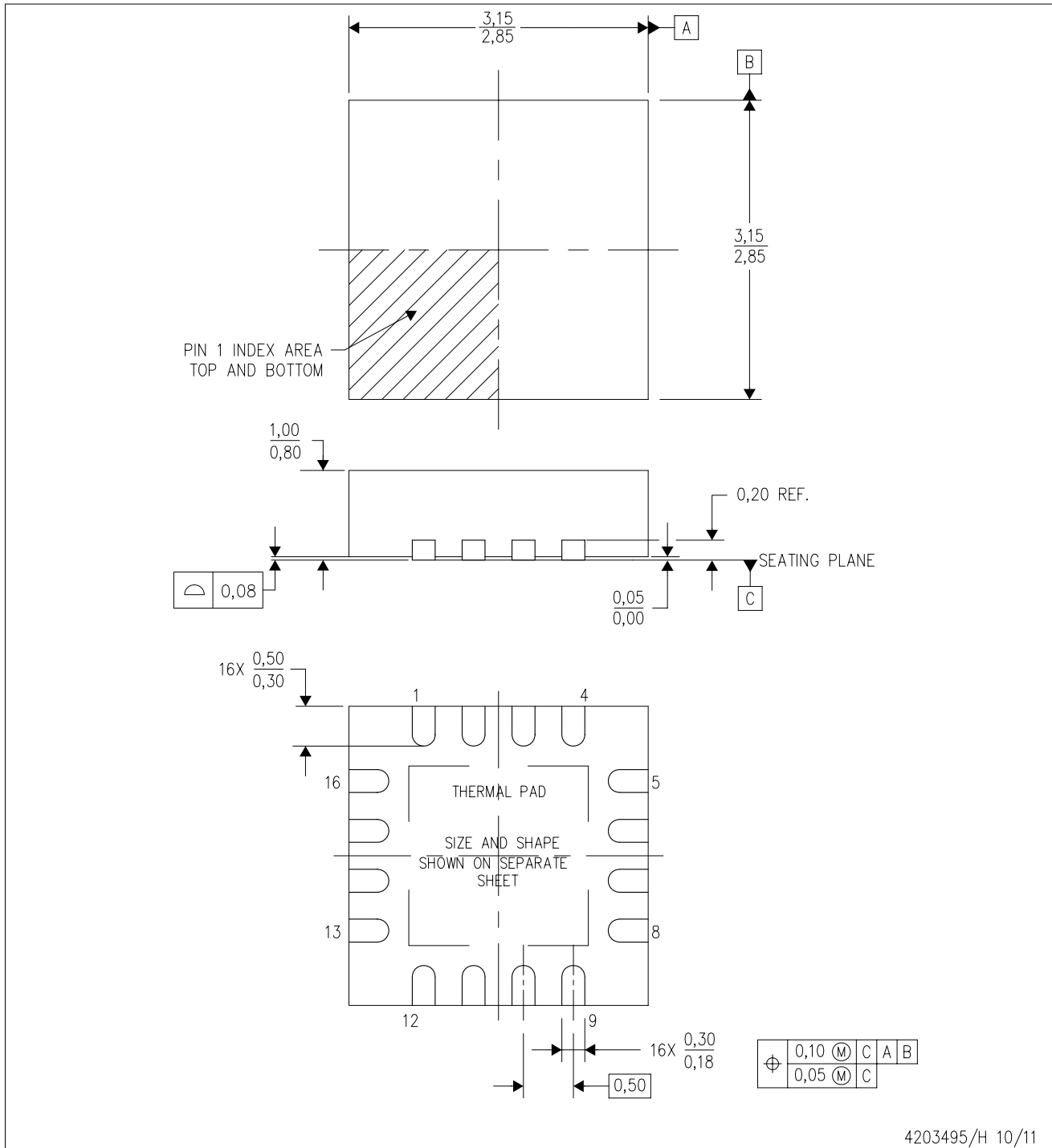
TAPE AND REEL BOX DIMENSIONS


*All dimensions are nominal

Device	Package Type	Package Drawing	Pins	SPQ	Length (mm)	Width (mm)	Height (mm)
TXS4555RGTR	QFN	RGT	16	3000	367.0	367.0	35.0
TXS4555RUTR	UQFN	RUT	12	3000	202.0	201.0	28.0

RGT (S-PVQFN-N16)

PLASTIC QUAD FLATPACK NO-LEAD



4203495/H 10/11

- NOTES:
- All linear dimensions are in millimeters. Dimensioning and tolerancing per ASME Y14.5M-1994.
 - This drawing is subject to change without notice.
 - Quad Flatpack, No-leads (QFN) package configuration.
 - The package thermal pad must be soldered to the board for thermal and mechanical performance.
 - See the additional figure in the Product Data Sheet for details regarding the exposed thermal pad features and dimensions.
 - Falls within JEDEC MO-220.

THERMAL PAD MECHANICAL DATA

RGT (S-PVQFN-N16)

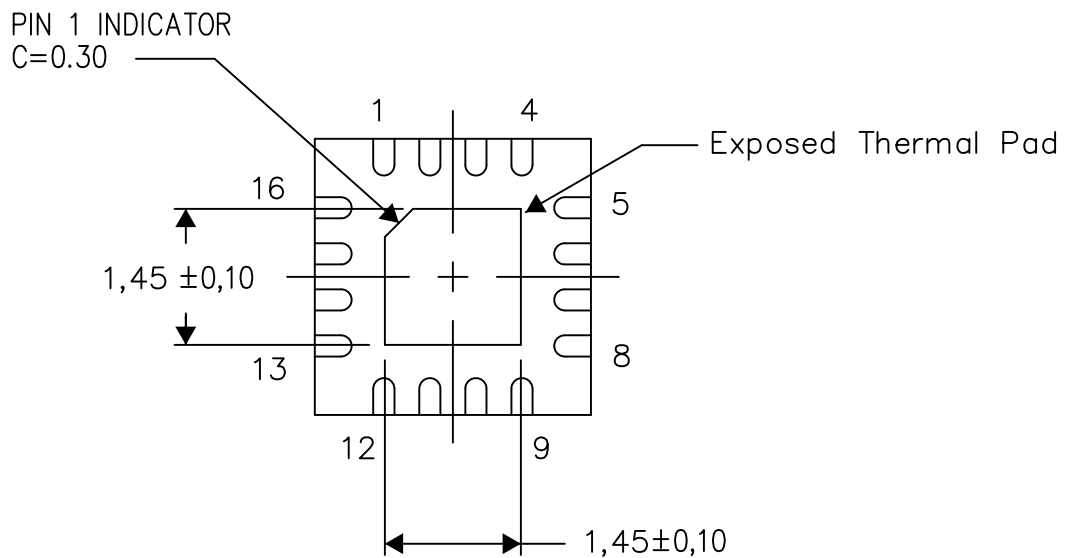
PLASTIC QUAD FLATPACK NO-LEAD

THERMAL INFORMATION

This package incorporates an exposed thermal pad that is designed to be attached directly to an external heatsink. The thermal pad must be soldered directly to the printed circuit board (PCB). After soldering, the PCB can be used as a heatsink. In addition, through the use of thermal vias, the thermal pad can be attached directly to the appropriate copper plane shown in the electrical schematic for the device, or alternatively, can be attached to a special heatsink structure designed into the PCB. This design optimizes the heat transfer from the integrated circuit (IC).

For information on the Quad Flatpack No-Lead (QFN) package and its advantages, refer to Application Report, QFN/SON PCB Attachment, Texas Instruments Literature No. SLUA271. This document is available at www.ti.com.

The exposed thermal pad dimensions for this package are shown in the following illustration.



Bottom View

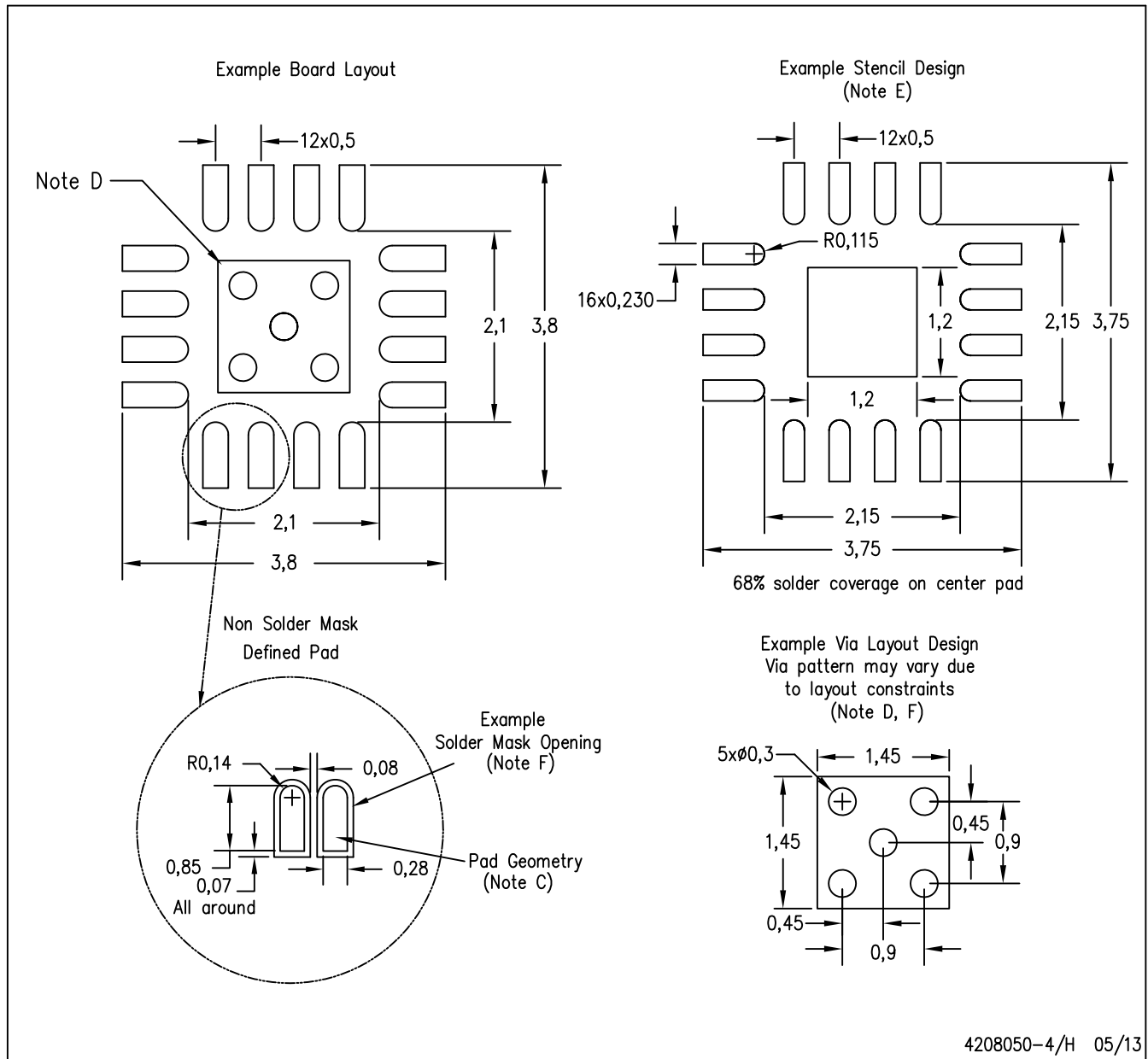
Exposed Thermal Pad Dimensions

4206349-2/S 04/13

NOTE: All linear dimensions are in millimeters

RGT (S-PVQFN-N16)

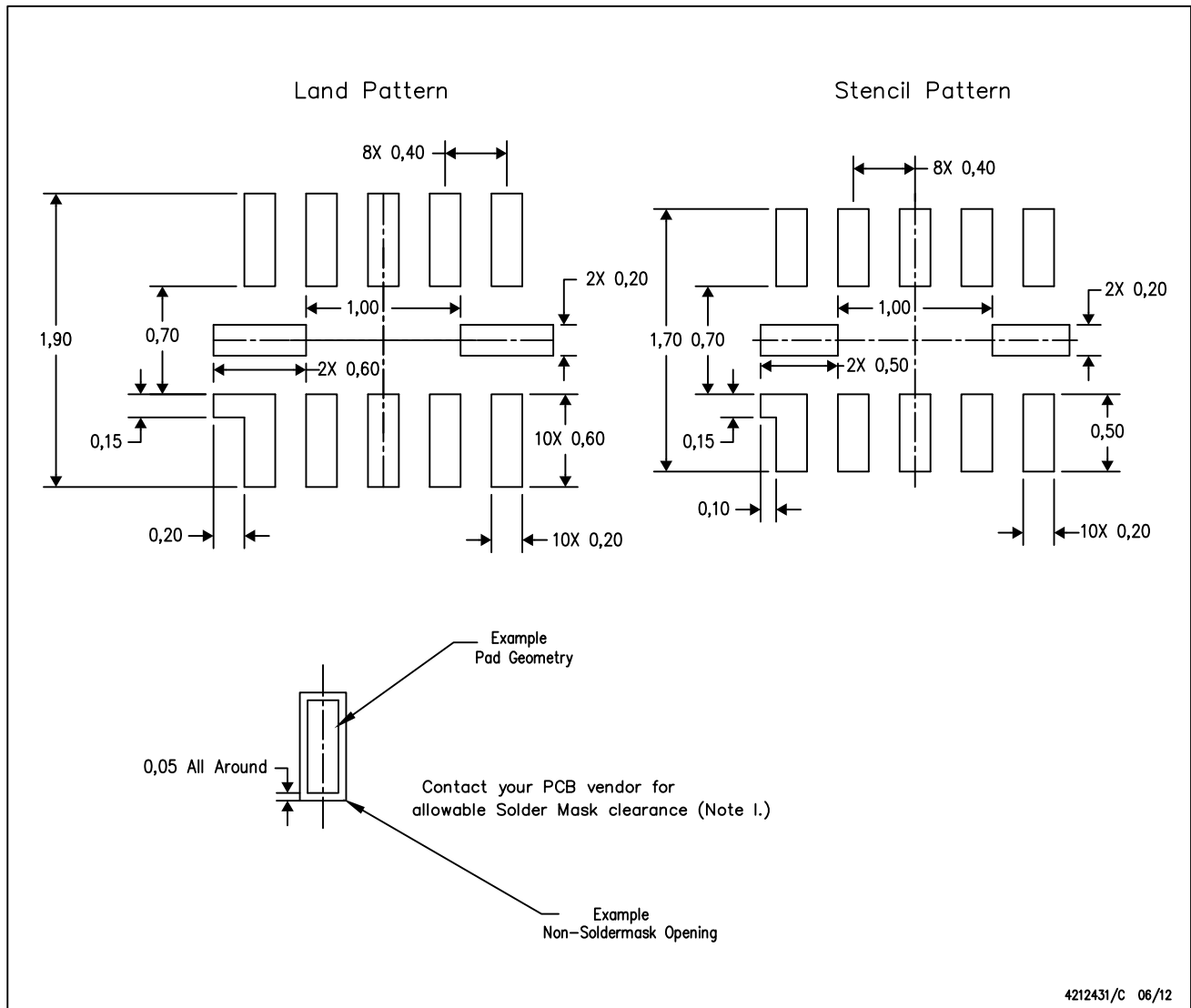
PLASTIC QUAD FLATPACK NO-LEAD



- NOTES:
- A. All linear dimensions are in millimeters.
 - B. This drawing is subject to change without notice.
 - C. Publication IPC-7351 is recommended for alternate designs.
 - D. This package is designed to be soldered to a thermal pad on the board. Refer to Application Note, QFN/SON PCB Attachment, Texas Instruments Literature No. SLUA271, and also the Product Data Sheets for specific thermal information, via requirements, and recommended board layout. These documents are available at www.ti.com <<http://www.ti.com>>.
 - E. Laser cutting apertures with trapezoidal walls and also rounding corners will offer better paste release. Customers should contact their board assembly site for stencil design recommendations. Refer to IPC 7525 for stencil design considerations.
 - F. Customers should contact their board fabrication site for minimum solder mask web tolerances between signal pads.

RUT (R-PUQFN-N12)

PLASTIC QUAD FLATPACK NO-LEAD



4212431/C 06/12

- NOTES:
- A. All linear dimensions are in millimeters.
 - B. This drawing is subject to change without notice.
 - C. Publication IPC-7351 is recommended for alternate designs.
 - D. Customers should contact their board fabrication site for minimum solder mask web tolerances between signal pads.
 - E. Maximum stencil thickness 0,1016 mm (4 mils). All linear dimensions are in millimeters.
 - F. Laser cutting apertures with trapezoidal walls and also rounding corners will offer better paste release. Customers should contact their board assembly site for stencil design recommendations. Refer to IPC 7525 for stencil design considerations.
 - G. Over-printing land for larger area ratio is not advised due to land width and bridging potential. Exercise extreme caution.
 - H. Suggest stencils cut with lasers such as Fiber Laser that produce the greatest positional accuracy.
 - I. Component placement force should be minimized to prevent excessive paste block deformation.

IMPORTANT NOTICE

Texas Instruments Incorporated and its subsidiaries (TI) reserve the right to make corrections, enhancements, improvements and other changes to its semiconductor products and services per JESD46, latest issue, and to discontinue any product or service per JESD48, latest issue. Buyers should obtain the latest relevant information before placing orders and should verify that such information is current and complete. All semiconductor products (also referred to herein as "components") are sold subject to TI's terms and conditions of sale supplied at the time of order acknowledgment.

TI warrants performance of its components to the specifications applicable at the time of sale, in accordance with the warranty in TI's terms and conditions of sale of semiconductor products. Testing and other quality control techniques are used to the extent TI deems necessary to support this warranty. Except where mandated by applicable law, testing of all parameters of each component is not necessarily performed.

TI assumes no liability for applications assistance or the design of Buyers' products. Buyers are responsible for their products and applications using TI components. To minimize the risks associated with Buyers' products and applications, Buyers should provide adequate design and operating safeguards.

TI does not warrant or represent that any license, either express or implied, is granted under any patent right, copyright, mask work right, or other intellectual property right relating to any combination, machine, or process in which TI components or services are used. Information published by TI regarding third-party products or services does not constitute a license to use such products or services or a warranty or endorsement thereof. Use of such information may require a license from a third party under the patents or other intellectual property of the third party, or a license from TI under the patents or other intellectual property of TI.

Reproduction of significant portions of TI information in TI data books or data sheets is permissible only if reproduction is without alteration and is accompanied by all associated warranties, conditions, limitations, and notices. TI is not responsible or liable for such altered documentation. Information of third parties may be subject to additional restrictions.

Resale of TI components or services with statements different from or beyond the parameters stated by TI for that component or service voids all express and any implied warranties for the associated TI component or service and is an unfair and deceptive business practice. TI is not responsible or liable for any such statements.

Buyer acknowledges and agrees that it is solely responsible for compliance with all legal, regulatory and safety-related requirements concerning its products, and any use of TI components in its applications, notwithstanding any applications-related information or support that may be provided by TI. Buyer represents and agrees that it has all the necessary expertise to create and implement safeguards which anticipate dangerous consequences of failures, monitor failures and their consequences, lessen the likelihood of failures that might cause harm and take appropriate remedial actions. Buyer will fully indemnify TI and its representatives against any damages arising out of the use of any TI components in safety-critical applications.

In some cases, TI components may be promoted specifically to facilitate safety-related applications. With such components, TI's goal is to help enable customers to design and create their own end-product solutions that meet applicable functional safety standards and requirements. Nonetheless, such components are subject to these terms.

No TI components are authorized for use in FDA Class III (or similar life-critical medical equipment) unless authorized officers of the parties have executed a special agreement specifically governing such use.

Only those TI components which TI has specifically designated as military grade or "enhanced plastic" are designed and intended for use in military/aerospace applications or environments. Buyer acknowledges and agrees that any military or aerospace use of TI components which have **not** been so designated is solely at the Buyer's risk, and that Buyer is solely responsible for compliance with all legal and regulatory requirements in connection with such use.

TI has specifically designated certain components as meeting ISO/TS16949 requirements, mainly for automotive use. In any case of use of non-designated products, TI will not be responsible for any failure to meet ISO/TS16949.

Products

Audio	www.ti.com/audio
Amplifiers	amplifier.ti.com
Data Converters	dataconverter.ti.com
DLP® Products	www.dlp.com
DSP	dsp.ti.com
Clocks and Timers	www.ti.com/clocks
Interface	interface.ti.com
Logic	logic.ti.com
Power Mgmt	power.ti.com
Microcontrollers	microcontroller.ti.com
RFID	www.ti-rfid.com
OMAP Applications Processors	www.ti.com/omap
Wireless Connectivity	www.ti.com/wirelessconnectivity

Applications

Automotive and Transportation	www.ti.com/automotive
Communications and Telecom	www.ti.com/communications
Computers and Peripherals	www.ti.com/computers
Consumer Electronics	www.ti.com/consumer-apps
Energy and Lighting	www.ti.com/energy
Industrial	www.ti.com/industrial
Medical	www.ti.com/medical
Security	www.ti.com/security
Space, Avionics and Defense	www.ti.com/space-avionics-defense
Video and Imaging	www.ti.com/video

TI E2E Community

e2e.ti.com