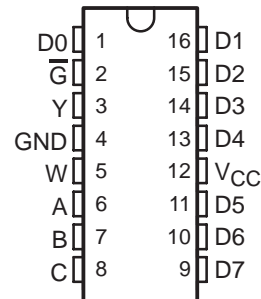


74AC11251 1-OF-8 DATA SELECTOR/MULTIPLEXER WITH 3-STATE OUTPUTS

SCAS085A – DECEMBER 1989 – REVISED APRIL 1993

- 3-State Outputs Interface Directly with System Bus
- Performs Parallel-to-Serial Conversion
- Complementary Outputs Provide True and Inverted Data
- New Flow-Through Architecture to Optimize PCB Layout
- Center-Pin V_{CC} and GND Configurations to Minimize High-Speed Switching Noise
- EPIC™ (Enhanced-Performance Implanted CMOS) 1- μ m Process
- 500-mA Typical Latch-Up Immunity at 125°C
- Package Options Include Plastic Small Outline Packages, and Standard Plastic 300-mil DIPs

D OR N PACKAGE
(TOP VIEW)



description

This data selector/multiplexer contains full binary decoding to select one-of-eight data sources and features strobe-controlled complementary 3-state outputs.

The 3-state outputs can interface with and drive data lines of bus-organized systems. With all but one of the common outputs disabled (at a high-impedance state), the low-impedance of the enable output will drive the bus line to a high or low logic level. Both outputs are controlled by the strobe (\overline{G}). The outputs are disabled when \overline{G} is high.

The 74AC11251 is characterized for operation from -40°C to 85°C .

EPIC is a trademark of Texas Instruments Incorporated.

PRODUCTION DATA information is current as of publication date. Products conform to specifications per the terms of Texas Instruments standard warranty. Production processing does not necessarily include testing of all parameters.



POST OFFICE BOX 655303 • DALLAS, TEXAS 75265
POST OFFICE BOX 1443 • HOUSTON, TEXAS 77251-1443

Copyright © 1993, Texas Instruments Incorporated

74AC11251 1-OF-8 DATA SELECTOR/MULTIPLEXER WITH 3-STATE OUTPUTS

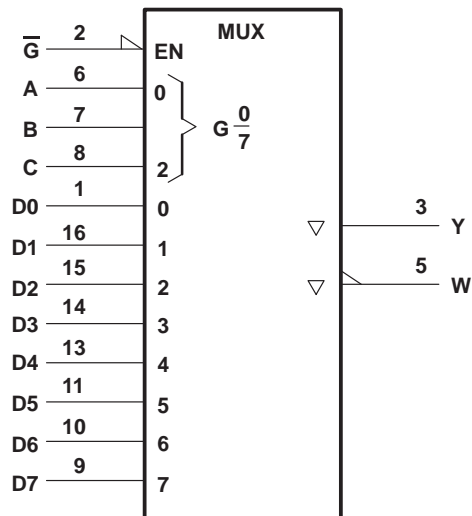
SCAS085A - DECEMBER 1989 - REVISED APRIL 1993

FUNCTION TABLE

| INPUTS | | | STROBE \overline{G} | OUTPUTS | |
|--------|---|---|--------------------------|---------|-----------------|
| C | B | A | | Y | W |
| X | X | X | H | Z | Z |
| L | L | L | L | D0 | $\overline{D0}$ |
| L | L | H | L | D1 | $\overline{D1}$ |
| L | H | L | L | D2 | $\overline{D2}$ |
| L | H | H | L | D3 | $\overline{D3}$ |
| H | L | L | L | D4 | $\overline{D4}$ |
| H | L | H | L | D5 | $\overline{D5}$ |
| H | H | L | L | D6 | $\overline{D6}$ |
| H | H | H | L | D7 | $\overline{D7}$ |

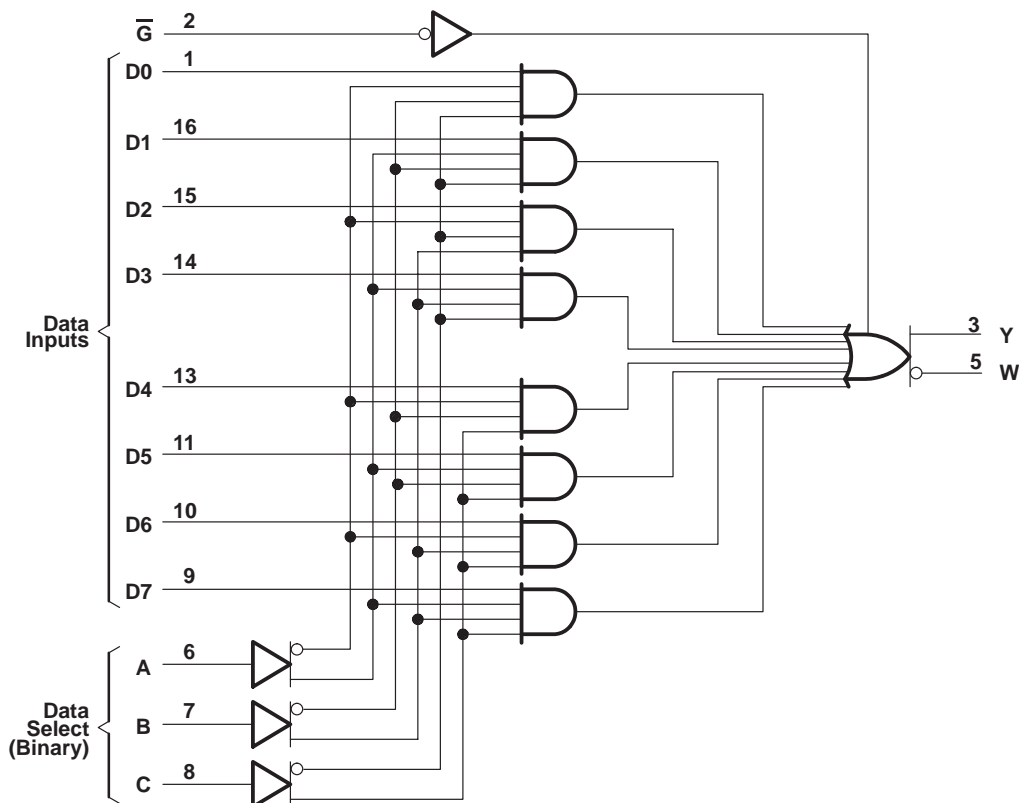
H = high level, L = low level, X = irrelevant.
D0, D1, ..., D7 = the level of the respective D input

logic symbol†



† This symbol is in accordance with ANSI/IEEE Std 91-1984 and IEC Publication 617-12.

logic diagram (positive logic)



74AC11251
1-OF-8 DATA SELECTOR/MULTIPLEXER
WITH 3-STATE OUTPUTS

SCAS085A – DECEMBER 1989 – REVISED APRIL 1993

absolute maximum ratings over operating free-air temperature range (unless otherwise noted)†

| | |
|--|----------------------------|
| Supply voltage range, V_{CC} | -0.5 V to 7 V |
| Input voltage range, V_I (see Note 1) | -0.5 V to $V_{CC} + 0.5$ V |
| Output voltage range, V_O (see Note 1) | -0.5 V to $V_{CC} + 0.5$ V |
| Input clamp current, I_{IK} ($V_I < 0$ or $V_I > V_{CC}$) | ± 20 mA |
| Output clamp current, I_{OK} ($V_O < 0$ or $V_O > V_{CC}$) | ± 50 mA |
| Continuous output current, I_O ($V_O = 0$ to V_{CC}) | ± 50 mA |
| Continuous current through V_{CC} or GND pins | ± 100 mA |
| Storage temperature range | -65°C to 150°C |

† Stresses beyond those listed under “absolute maximum ratings” may cause permanent damage to the device. These are stress ratings only and functional operation of the device at these or any other conditions beyond those indicated under “recommended operating conditions” is not implied. Exposure to absolute-maximum-rated conditions for extended periods may affect device reliability.

NOTE 1: The input and output voltage ratings may be exceeded if the input and output current ratings are observed.

recommended operating conditions

| | | MIN | NOM | MAX | UNIT |
|---------------------|------------------------------------|------------------|------|----------|------|
| V_{CC} | Supply voltage | 3 | 5 | 5.5 | V |
| V_{IH} | High-level input voltage | $V_{CC} = 3$ V | 2.1 | | V |
| | | $V_{CC} = 4.5$ V | 3.15 | | |
| | | $V_{CC} = 5.5$ V | 3.85 | | |
| V_{IL} | Low-level input voltage | $V_{CC} = 3$ V | | 0.9 | V |
| | | $V_{CC} = 4.5$ V | | 1.35 | |
| | | $V_{CC} = 5.5$ V | | 1.65 | |
| V_I | Input voltage | 0 | | V_{CC} | V |
| V_O | Output voltage | 0 | | V_{CC} | V |
| I_{OH} | High-level output current | $V_{CC} = 3$ V | | -4 | mA |
| | | $V_{CC} = 4.5$ V | | -24 | |
| | | $V_{CC} = 5.5$ V | | -24 | |
| I_{OL} | Low-level output current | $V_{CC} = 3$ V | | 12 | mA |
| | | $V_{CC} = 4.5$ V | | 24 | |
| | | $V_{CC} = 5.5$ V | | 24 | |
| $\Delta t/\Delta v$ | Input transition rise or fall rate | 0 | | 10 | ns/V |
| T_A | Operating free-air temperature | -40 | | 85 | °C |



74AC11251
1-OF-8 DATA SELECTOR/MULTIPLEXER
WITH 3-STATE OUTPUTS

SCAS085A – DECEMBER 1989 – REVISED APRIL 1993

electrical characteristics over recommended operating free-air temperature range (unless otherwise noted)

| PARAMETER | TEST CONDITIONS | V _{CC} | T _A = 25°C | | | MIN | MAX | UNIT |
|--|---|-----------------|-----------------------|-----|------|-------|-----|------|
| | | | MIN | TYP | MAX | | | |
| V _{OH} | I _{OH} = - 50 μA | 3 V | 2.9 | | | 2.9 | | V |
| | | 4.5 V | 4.4 | | | 4.4 | | |
| | | 5.5 V | 5.4 | | | 5.4 | | |
| | I _{OH} = - 4 mA | 3 V | 2.58 | | | 2.48 | | |
| | | 4.5 V | 3.94 | | | 3.8 | | |
| | | 5.5 V | 4.94 | | | 4.8 | | |
| I _{OH} = - 75 mA [†] | 5.5 V | | | | 3.85 | | | |
| V _{OL} | I _{OL} = 50 μA | 3 V | | | | 0.1 | | V |
| | | 4.5 V | | | | 0.1 | | |
| | | 5.5 V | | | | 0.1 | | |
| | I _{OL} = 12 mA | 3 V | | | | 0.36 | | |
| | | 4.5 V | | | | 0.36 | | |
| | I _{OL} = 24 mA | 4.5 V | | | | 0.36 | | |
| | | 5.5 V | | | | 0.36 | | |
| I _{OL} = 75 mA [†] | 5.5 V | | | | 1.65 | | | |
| I _{OZ} | V _O = V _{CC} or GND | 5.5 V | | | | ± 0.5 | | μA |
| I _I | V _I = V _{CC} or GND | 5.5 V | | | | ± 0.1 | | μA |
| I _{CC} | V _I = V _{CC} or GND, I _O = 0 | 5.5 V | | | | 8 | | μA |
| C _i | V _I = V _{CC} or GND | 5 V | | | | 3.5 | | pF |
| C _O | V _O = V _{CC} or GND | 5 V | | | | 8 | | pF |

[†] Not more than one output should be tested at a time, and the duration of the test should not exceed 10 ms.



74AC11251
1-OF-8 DATA SELECTOR/MULTIPLEXER
WITH 3-STATE OUTPUTS

SCAS085A – DECEMBER 1989 – REVISED APRIL 1993

switching characteristics over recommended operating free-air temperature range,
 $V_{CC} = 3.3\text{ V} \pm 0.3\text{ V}$ (unless otherwise noted) (see Figure 1)

| PARAMETER | FROM (INPUT) | TO (OUTPUT) | $T_A = 25^\circ\text{C}$ | | | MIN | MAX | UNIT |
|-----------|----------------|-------------|--------------------------|-----|------|-----|------|------|
| | | | MIN | TYP | MAX | | | |
| t_{PLH} | A, B, or C | Y | 2.6 | 8.1 | 10.8 | 2.6 | 12.1 | ns |
| t_{PHL} | | | 2.8 | 8.3 | 10.8 | 2.8 | 11.9 | |
| t_{PLH} | A, B, or C | W | 2.6 | 7.9 | 10.2 | 2.6 | 11.3 | ns |
| t_{PHL} | | | 2.5 | 8 | 10.8 | 2.5 | 12.1 | |
| t_{PLH} | Any D | Y | 2.4 | 6.3 | 8.2 | 2.4 | 9 | ns |
| t_{PHL} | | | 2.1 | 6.1 | 8 | 2.1 | 8.8 | |
| t_{PLH} | Any D | W | 1.9 | 5.7 | 7.5 | 1.9 | 8.2 | ns |
| t_{PHL} | | | 2.3 | 6.3 | 8.2 | 2.3 | 9.1 | |
| t_{PZH} | \overline{G} | Y | 1.3 | 4.1 | 5.7 | 1.3 | 6.1 | ns |
| t_{PZL} | | | 1.6 | 4.9 | 6.6 | 1.6 | 7.2 | |
| t_{PZH} | \overline{G} | W | 1.2 | 4 | 5.5 | 1.2 | 5.9 | ns |
| t_{PZL} | | | 1.6 | 4.8 | 6.5 | 1.6 | 7.1 | |
| t_{PHZ} | \overline{G} | Y | 3 | 4.5 | 5.9 | 3 | 6.1 | ns |
| t_{PLZ} | | | 2.8 | 4.7 | 6.3 | 2.8 | 6.6 | |
| t_{PHZ} | \overline{G} | W | 2.9 | 4.5 | 5.9 | 2.9 | 6.2 | ns |
| t_{PLZ} | | | 2.9 | 4.7 | 6.3 | 2.9 | 6.6 | |

switching characteristics over recommended operating free-air temperature range,
 $V_{CC} = 5\text{ V} \pm 0.5\text{ V}$ (unless otherwise noted) (see Figure 1)

| PARAMETER | FROM (INPUT) | TO (OUTPUT) | $T_A = 25^\circ\text{C}$ | | | MIN | MAX | UNIT |
|-----------|----------------|-------------|--------------------------|-----|-----|-----|-----|------|
| | | | MIN | TYP | MAX | | | |
| t_{PLH} | A, B, or C | Y | 2.2 | 5.3 | 7.5 | 2.2 | 8.3 | ns |
| t_{PHL} | | | 2.4 | 5 | 7.5 | 2.4 | 8.4 | |
| t_{PLH} | A, B, or C | W | 2.1 | 4.7 | 7.1 | 2.1 | 7.9 | ns |
| t_{PHL} | | | 2.2 | 5.4 | 7.5 | 2.2 | 8.5 | |
| t_{PLH} | Any D | Y | 2 | 4 | 5.9 | 2 | 6.5 | ns |
| t_{PHL} | | | 1.8 | 3.8 | 5.7 | 1.8 | 6.3 | |
| t_{PLH} | Any D | W | 1.6 | 3.5 | 5.4 | 1.6 | 5.8 | ns |
| t_{PHL} | | | 1.9 | 4.1 | 5.9 | 1.9 | 6.6 | |
| t_{PZH} | \overline{G} | Y | 1.1 | 2.7 | 4.4 | 1.1 | 4.7 | ns |
| t_{PZL} | | | 1.3 | 3.1 | 4.8 | 1.3 | 5.2 | |
| t_{PZH} | \overline{G} | W | 1 | 2.6 | 4.3 | 1 | 4.6 | ns |
| t_{PZL} | | | 1.2 | 3 | 4.7 | 1.2 | 5.1 | |
| t_{PHZ} | \overline{G} | Y | 2.8 | 4.2 | 5.6 | 2.8 | 5.9 | ns |
| t_{PLZ} | | | 2.7 | 4.2 | 5.7 | 2.7 | 6 | |
| t_{PHZ} | \overline{G} | W | 2.9 | 4.3 | 5.7 | 2.9 | 6 | ns |
| t_{PLZ} | | | 2.7 | 4.2 | 5.7 | 2.7 | 5.9 | |

operating characteristics

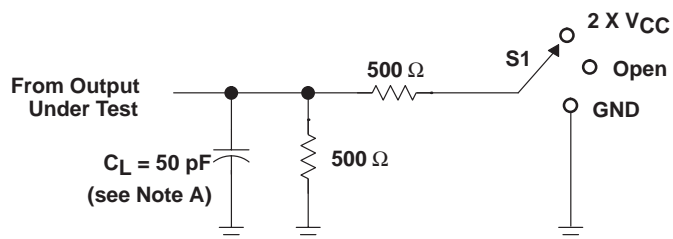
| PARAMETER | | TEST CONDITIONS | TYP | UNIT |
|-----------|-------------------------------|--|-----|------|
| C_{pd} | Power dissipation capacitance | $C_L = 50\text{ pF}, f = 1\text{ MHz}$ | 55 | pF |
| | | | 13 | |



74AC11251 1-OF-8 DATA SELECTOR/MULTIPLEXER WITH 3-STATE OUTPUTS

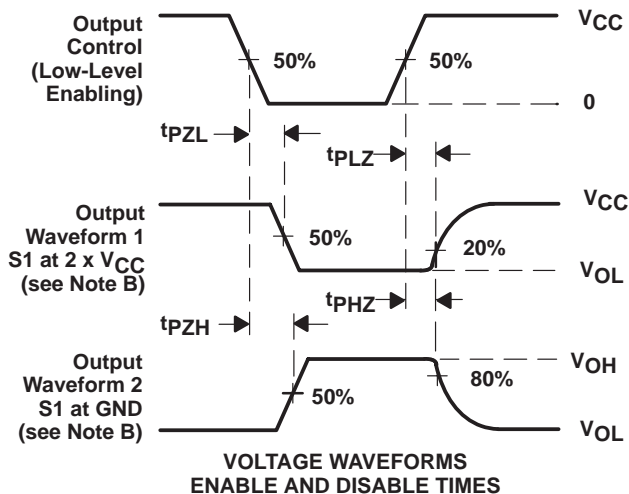
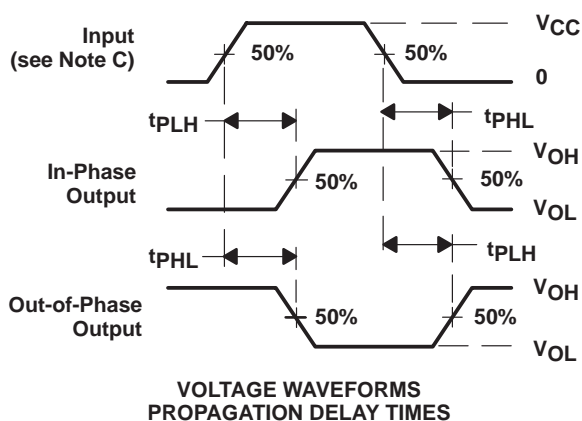
SCAS085A – DECEMBER 1989 – REVISED APRIL 1993

PARAMETER MEASUREMENT INFORMATION



LOAD CIRCUIT

| TEST | S1 |
|-------------------|--------------|
| t_{PLH}/t_{PHL} | OPEN |
| t_{PLZ}/t_{PZL} | 2 x V_{CC} |
| t_{PHZ}/t_{PZH} | GND |



NOTES: A. C_L includes probe and jig capacitance.

B. Waveform 1 is for an output with internal conditions such that the output is low except when disabled by the output control. Waveform 2 is for an output with internal conditions such that the output is high except when disabled by the output control.

C. All input pulses are supplied by generators having the following characteristics: $PRR \leq 10 \text{ MHz}$, $Z_O = 50 \Omega$, $t_r \leq 2.5 \text{ ns}$, $t_f \leq 2.5 \text{ ns}$.

D. The outputs are measured one at a time with one input transition per measurement.

Figure 1. Load Circuit and Voltage Waveforms

IMPORTANT NOTICE

Texas Instruments Incorporated and its subsidiaries (TI) reserve the right to make corrections, modifications, enhancements, improvements, and other changes to its products and services at any time and to discontinue any product or service without notice. Customers should obtain the latest relevant information before placing orders and should verify that such information is current and complete. All products are sold subject to TI's terms and conditions of sale supplied at the time of order acknowledgment.

TI warrants performance of its hardware products to the specifications applicable at the time of sale in accordance with TI's standard warranty. Testing and other quality control techniques are used to the extent TI deems necessary to support this warranty. Except where mandated by government requirements, testing of all parameters of each product is not necessarily performed.

TI assumes no liability for applications assistance or customer product design. Customers are responsible for their products and applications using TI components. To minimize the risks associated with customer products and applications, customers should provide adequate design and operating safeguards.

TI does not warrant or represent that any license, either express or implied, is granted under any TI patent right, copyright, mask work right, or other TI intellectual property right relating to any combination, machine, or process in which TI products or services are used. Information published by TI regarding third-party products or services does not constitute a license from TI to use such products or services or a warranty or endorsement thereof. Use of such information may require a license from a third party under the patents or other intellectual property of the third party, or a license from TI under the patents or other intellectual property of TI.

Reproduction of TI information in TI data books or data sheets is permissible only if reproduction is without alteration and is accompanied by all associated warranties, conditions, limitations, and notices. Reproduction of this information with alteration is an unfair and deceptive business practice. TI is not responsible or liable for such altered documentation. Information of third parties may be subject to additional restrictions.

Resale of TI products or services with statements different from or beyond the parameters stated by TI for that product or service voids all express and any implied warranties for the associated TI product or service and is an unfair and deceptive business practice. TI is not responsible or liable for any such statements.

TI products are not authorized for use in safety-critical applications (such as life support) where a failure of the TI product would reasonably be expected to cause severe personal injury or death, unless officers of the parties have executed an agreement specifically governing such use. Buyers represent that they have all necessary expertise in the safety and regulatory ramifications of their applications, and acknowledge and agree that they are solely responsible for all legal, regulatory and safety-related requirements concerning their products and any use of TI products in such safety-critical applications, notwithstanding any applications-related information or support that may be provided by TI. Further, Buyers must fully indemnify TI and its representatives against any damages arising out of the use of TI products in such safety-critical applications.

TI products are neither designed nor intended for use in military/aerospace applications or environments unless the TI products are specifically designated by TI as military-grade or "enhanced plastic." Only products designated by TI as military-grade meet military specifications. Buyers acknowledge and agree that any such use of TI products which TI has not designated as military-grade is solely at the Buyer's risk, and that they are solely responsible for compliance with all legal and regulatory requirements in connection with such use.

TI products are neither designed nor intended for use in automotive applications or environments unless the specific TI products are designated by TI as compliant with ISO/TS 16949 requirements. Buyers acknowledge and agree that, if they use any non-designated products in automotive applications, TI will not be responsible for any failure to meet such requirements.

Following are URLs where you can obtain information on other Texas Instruments products and application solutions:

Products

| | |
|-----------------------------|--|
| Amplifiers | amplifier.ti.com |
| Data Converters | dataconverter.ti.com |
| DLP® Products | www.dlp.com |
| DSP | dsp.ti.com |
| Clocks and Timers | www.ti.com/clocks |
| Interface | interface.ti.com |
| Logic | logic.ti.com |
| Power Mgmt | power.ti.com |
| Microcontrollers | microcontroller.ti.com |
| RFID | www.ti-rfid.com |
| RF/IF and ZigBee® Solutions | www.ti.com/lprf |

Applications

| | |
|--------------------|--|
| Audio | www.ti.com/audio |
| Automotive | www.ti.com/automotive |
| Broadband | www.ti.com/broadband |
| Digital Control | www.ti.com/digitalcontrol |
| Medical | www.ti.com/medical |
| Military | www.ti.com/military |
| Optical Networking | www.ti.com/opticalnetwork |
| Security | www.ti.com/security |
| Telephony | www.ti.com/telephony |
| Video & Imaging | www.ti.com/video |
| Wireless | www.ti.com/wireless |

Mailing Address: Texas Instruments, Post Office Box 655303, Dallas, Texas 75265
Copyright © 2009, Texas Instruments Incorporated