

# SN54ABT652A, SN74ABT652A OCTAL REGISTERED TRANSCEIVERS WITH 3-STATE OUTPUTS

SCBS072F – JANUARY 1991 – REVISED MAY 1997

- State-of-the-Art *EPIC-II<sup>B</sup>*™ BiCMOS Design Significantly Reduces Power Dissipation
- ESD Protection Exceeds 2000 V Per MIL-STD-883, Method 3015; Exceeds 200 V Using Machine Model (C = 200 pF, R = 0)
- Latch-Up Performance Exceeds 500 mA Per JEDEC Standard JESD-17
- Typical  $V_{OLP}$  (Output Ground Bounce) < 1 V at  $V_{CC} = 5$  V,  $T_A = 25^\circ\text{C}$
- High-Drive Outputs (–32-mA  $I_{OH}$ , 64-mA  $I_{OL}$ )
- Package Options Include Plastic Small-Outline (DW), Shrink Small-Outline (DB), and Thin Shrink Small-Outline (PW) Packages, Ceramic Chip Carriers (FK), Ceramic Flat (W) Package, and Plastic (NT) and Ceramic (JT) DIPs

## description

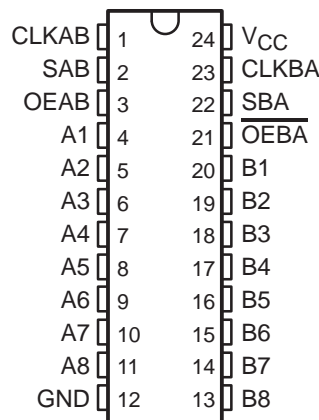
These devices consist of bus-transceiver circuits, D-type flip-flops, and control circuitry arranged for multiplexed transmission of data directly from the data bus or from the internal storage registers.

Output-enable (OEAB and  $\overline{OEBA}$ ) inputs are provided to control the transceiver functions. Select-control (SAB and SBA) inputs are provided to select either real-time or stored data for transfer. The circuitry used for select control eliminates the typical decoding glitch that occurs in a multiplexer during the transition between stored and real-time data. A low input selects real-time data, and a high input selects stored data. Figure 1 illustrates the four fundamental bus-management functions that can be performed with the 'ABT652A.

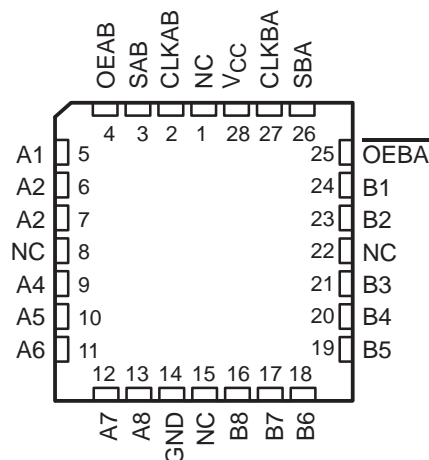
Data on the A- or B-data bus, or both, can be stored in the internal D-type flip-flops by low-to-high transitions at the appropriate clock (CLKAB or CLKBA) inputs, regardless of the select- or enable-control inputs. When SAB and SBA are in the real-time transfer mode, it is possible to store data without using the internal D-type flip-flops by simultaneously enabling OEAB and  $\overline{OEBA}$ . In this configuration, each output reinforces its input. When all other data sources to the two sets of bus lines are at high impedance, each set of bus lines remains at its last state.

To ensure the high-impedance state during power up or power down,  $\overline{OEBA}$  should be tied to  $V_{CC}$  through a pullup resistor; the minimum value of the resistor is determined by the current-sinking capability of the driver (B to A). OEAB should be tied to GND through a pulldown resistor; the minimum value of the resistor is determined by the current-sourcing capability of the driver (A to B).

SN54ABT652A . . . JT OR W PACKAGE  
SN74ABT652A . . . DB, DW, NT, OR PW PACKAGE  
(TOP VIEW)



SN54ABT652A . . . FK PACKAGE  
(TOP VIEW)



NC – No internal connection



Please be aware that an important notice concerning availability, standard warranty, and use in critical applications of Texas Instruments semiconductor products and disclaimers thereto appears at the end of this data sheet.

EPIC-II<sup>B</sup> is a trademark of Texas Instruments Incorporated.

PRODUCTION DATA information is current as of publication date. Products conform to specifications per the terms of Texas Instruments standard warranty. Production processing does not necessarily include testing of all parameters.

**TEXAS  
INSTRUMENTS**

POST OFFICE BOX 655303 • DALLAS, TEXAS 75265

Copyright © 1997, Texas Instruments Incorporated

# SN54ABT652A, SN74ABT652A OCTAL REGISTERED TRANSCEIVERS WITH 3-STATE OUTPUTS

SCBS072F – JANUARY 1991 – REVISED MAY 1997

## description (continued)

The SN54ABT652A is characterized for operation over the full military temperature range of  $-55^{\circ}\text{C}$  to  $125^{\circ}\text{C}$ .  
The SN74ABT652A is characterized for operation from  $-40^{\circ}\text{C}$  to  $85^{\circ}\text{C}$ .

FUNCTION TABLE

| INPUTS |                          |        |        |     |     | DATA I/O†    |              | OPERATION OR FUNCTION                             |
|--------|--------------------------|--------|--------|-----|-----|--------------|--------------|---|
| OEAB   | $\overline{\text{OEBA}}$ | CLKAB  | CLKBA  | SAB | SBA | A1–A8        | B1–B8        |   |
| L      | H                        | H or L | H or L | X   | X   | Input        | Input        | Isolation   |
| L      | H                        | ↑      | ↑      | X   | X   | Input        | Input        | Store A and B data                                |
| X      | H                        | ↑      | H or L | X   | X   | Input        | Unspecified‡ | Store A, hold B                                   |
| H      | H                        | ↑      | ↑      | X‡  | X   | Input        | Output       | Store A in both registers                         |
| L      | X                        | H or L | ↑      | X   | X   | Unspecified‡ | Input        | Hold A, store B                                   |
| L      | L                        | ↑      | ↑      | X   | X‡  | Output       | Input        | Store B in both registers                         |
| L      | L                        | X      | X      | X   | L   | Output       | Input        | Real-time B data to A bus                         |
| L      | L                        | X      | H or L | X   | H   | Output       | Input        | Stored B data to A bus                            |
| H      | H                        | X      | X      | L   | X   | Input        | Output       | Real-time A data to B bus                         |
| H      | H                        | H or L | X      | H   | X   | Input        | Output       | Stored A data to B bus                            |
| H      | L                        | H or L | H or L | H   | H   | Output       | Output       | Stored A data to B bus and stored B data to A bus |

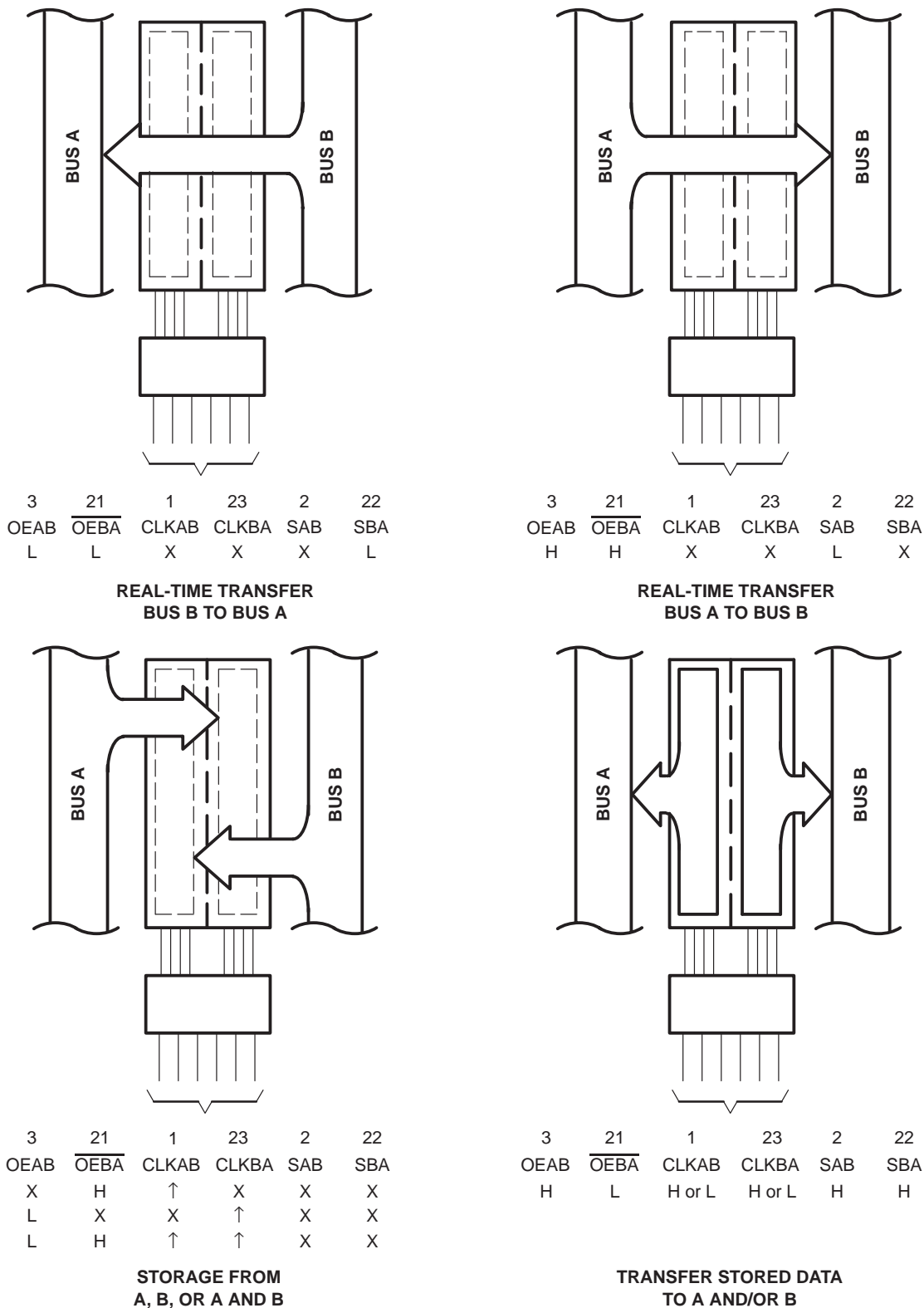
† The data-output functions may be enabled or disabled by a variety of level combinations at OEAB or  $\overline{\text{OEBA}}$ . Data-input functions are always enabled; i.e., data at the bus terminals is stored on every low-to-high transition of the clock inputs.

‡ Select control = L; clocks can occur simultaneously.

Select control = H; clocks must be staggered to load both registers.

# SN54ABT652A, SN74ABT652A OCTAL REGISTERED TRANSCEIVERS WITH 3-STATE OUTPUTS

SCBS072F – JANUARY 1991 – REVISED MAY 1997



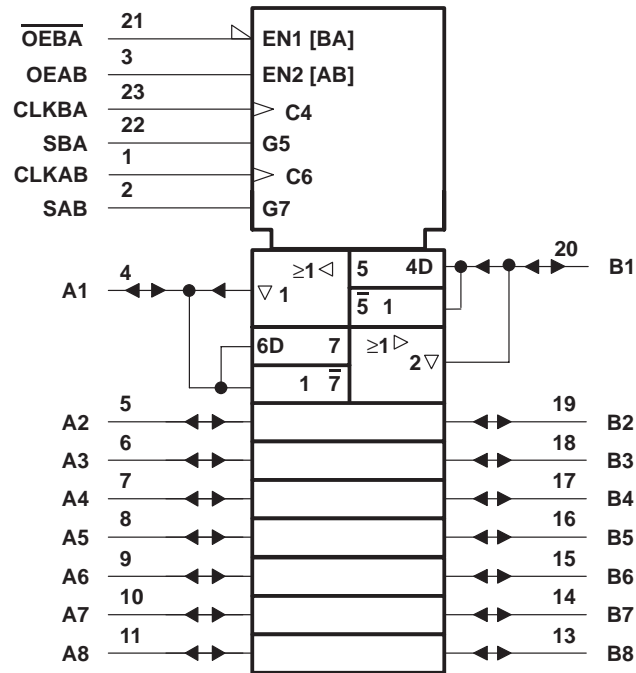
Pin numbers shown are for the DB, DW, JT, NT, PW, and W packages.

**Figure 1. Bus-Management Functions**

# SN54ABT652A, SN74ABT652A OCTAL REGISTERED TRANSCEIVERS WITH 3-STATE OUTPUTS

SCBS072F – JANUARY 1991 – REVISED MAY 1997

## logic symbol†

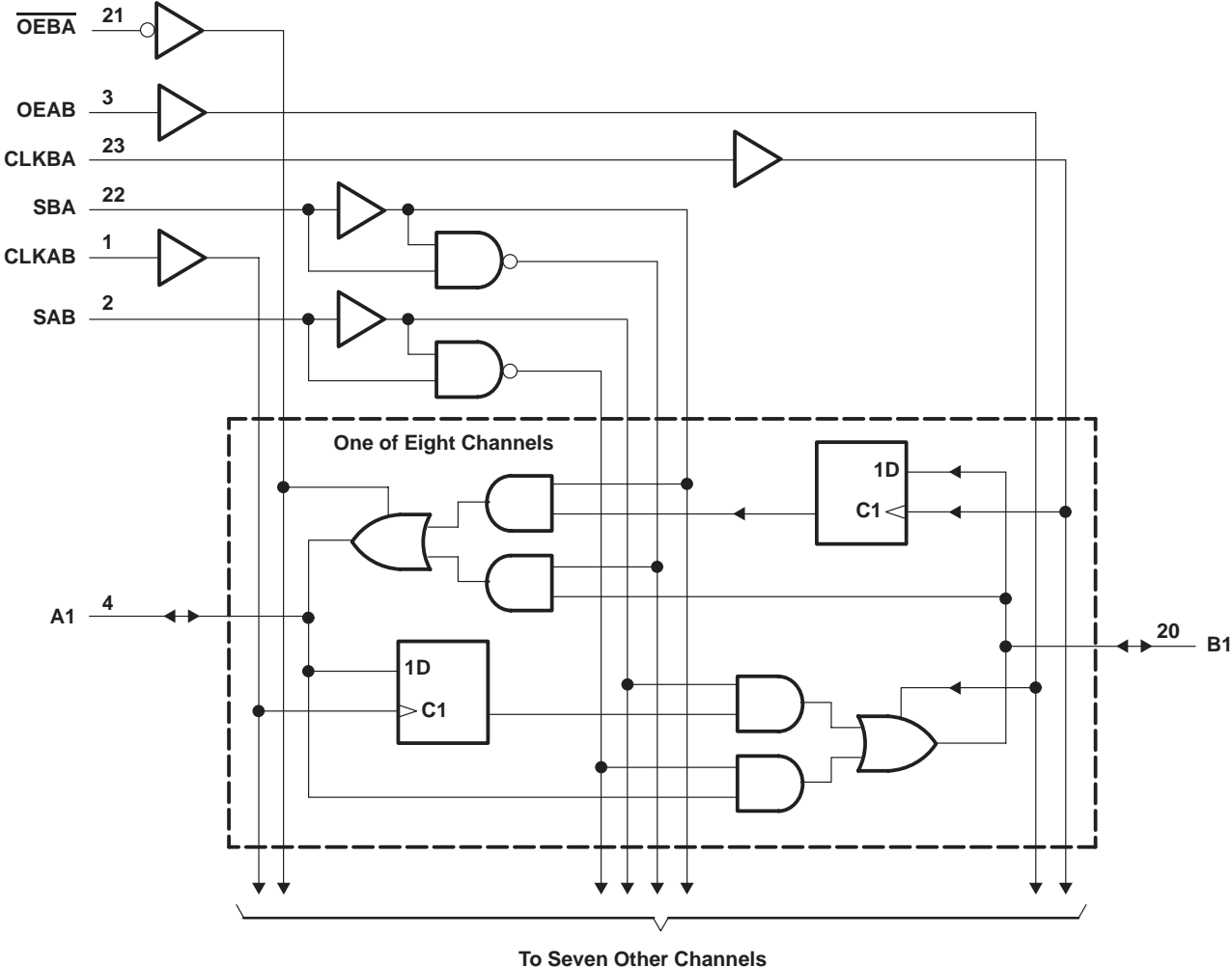


† This symbol is in accordance with ANSI/IEEE Std 91-1984 and IEC Publication 617-12. Pin numbers shown are for the DB, DW, JT, NT, PW, and W packages.

SN54ABT652A, SN74ABT652A  
 OCTAL REGISTERED TRANSCEIVERS  
 WITH 3-STATE OUTPUTS

SCBS072F - JANUARY 1991 - REVISED MAY 1997

logic diagram (positive logic)



Pin numbers shown are for the DB, DW, JT, NT, PW, and W packages.



# SN54ABT652A, SN74ABT652A OCTAL REGISTERED TRANSCEIVERS WITH 3-STATE OUTPUTS

SCBS072F – JANUARY 1991 – REVISED MAY 1997

## absolute maximum ratings over operating free-air temperature range (unless otherwise noted)<sup>†</sup>

|   |                 |
|---|-----------------|
| Supply voltage range, $V_{CC}$ .....  | -0.5 V to 7 V   |
| Input voltage range, $V_I$ (except I/O ports) (see Note 1) .....                | -0.5 V to 7 V   |
| Voltage range applied to any output in the high or power-off state, $V_O$ ..... | -0.5 V to 5.5 V |
| Current into any output in the low state, $I_O$ : SN54ABT652A .....             | 96 mA           |
| SN74ABT652A .....   | 128 mA          |
| Input clamp current, $I_{IK}$ ( $V_I < 0$ ) .....                               | -18 mA          |
| Output clamp current, $I_{OK}$ ( $V_O < 0$ ) .....                              | -50 mA          |
| Package thermal impedance, $\theta_{JA}$ (see Note 2): DB package .....         | 104°C/W         |
| DW package .....  | 81°C/W          |
| NT package .....  | 67°C/W          |
| PW package .....  | 120°C/W         |
| Storage temperature range, $T_{stg}$ .....                                      | -65°C to 150°C  |

<sup>†</sup> Stresses beyond those listed under “absolute maximum ratings” may cause permanent damage to the device. These are stress ratings only, and functional operation of the device at these or any other conditions beyond those indicated under “recommended operating conditions” is not implied. Exposure to absolute-maximum-rated conditions for extended periods may affect device reliability.

- NOTES: 1. The input and output negative-voltage ratings may be exceeded if the input and output clamp-current ratings are observed.  
 2. The package thermal impedance is calculated in accordance with EIA/JEDEC Std JESD51, except for through-hole packages, which use a trace length of zero.

## recommended operating conditions (see Note 3)

|                     |                                    | SN54ABT652A |          | SN74ABT652A |          | UNIT |
|---------------------|------------------------------------|-------------|----------|-------------|----------|------|
|                     |                                    | MIN         | MAX      | MIN         | MAX      |      |
| $V_{CC}$            | Supply voltage                     | 4.5         | 5.5      | 4.5         | 5.5      | V    |
| $V_{IH}$            | High-level input voltage           | 2           |          | 2           |          | V    |
| $V_{IL}$            | Low-level input voltage            |             | 0.8      |             | 0.8      | V    |
| $V_I$               | Input voltage                      | 0           | $V_{CC}$ | 0           | $V_{CC}$ | V    |
| $I_{OH}$            | High-level output current          |             | -24      |             | -32      | mA   |
| $I_{OL}$            | Low-level output current           |             | 48       |             | 64       | mA   |
| $\Delta t/\Delta v$ | Input transition rise or fall rate |             | 5        |             | 5        | ns/V |
|                     | Outputs enabled                    |             |          |             |          |      |
| $T_A$               | Operating free-air temperature     | -55         | 125      | -40         | 85       | °C   |

NOTE 3: Unused pins (input or I/O) must be held high or low to prevent them from floating.



**SN54ABT652A, SN74ABT652A**  
**OCTAL REGISTERED TRANSCEIVERS**  
**WITH 3-STATE OUTPUTS**

SCBS072F – JANUARY 1991 – REVISED MAY 1997

**electrical characteristics over recommended operating free-air temperature range (unless otherwise noted)**

| PARAMETER                | TEST CONDITIONS  | T <sub>A</sub> = 25°C  |      |       | SN54ABT652A |       | SN74ABT652A |      | UNIT |    |
|--------------------------|--|--|------|-------|-------------|-------|-------------|------|------|----|
|                          |  | MIN  | TYP† | MAX   | MIN         | MAX   | MIN         | MAX  |      |    |
| V <sub>IK</sub>          | V <sub>CC</sub> = 4.5 V, I <sub>I</sub> = -18 mA                                     |  |      | -1.2  |             | -1.2  |             | -1.2 | V    |    |
| V <sub>OH</sub>          | V <sub>CC</sub> = 4.5 V, I <sub>OH</sub> = -3 mA                                     |  |      | 2.5   |             | 2.5   |             | 2.5  | V    |    |
|                          | V <sub>CC</sub> = 5 V, I <sub>OH</sub> = -3 mA                                       |  |      | 3     |             | 3     |             | 3    |      |    |
|                          | V <sub>CC</sub> = 4.5 V  | I <sub>OH</sub> = -24 mA   |      |       | 2           |       | 2           |      |      |    |
| I <sub>OH</sub> = -32 mA |  |  |      | 2*    |             |       |             | 2    |      |    |
| V <sub>OL</sub>          | V <sub>CC</sub> = 4.5 V  | I <sub>OL</sub> = 48 mA  |      |       |             | 0.55  |             |      | V    |    |
|                          |  | I <sub>OL</sub> = 64 mA  |      |       |             | 0.55* |             | 0.55 |      |    |
| V <sub>hys</sub>         |  |  |      | 100   |             |       |             |      | mV   |    |
| I <sub>I</sub>           | Control inputs   | V <sub>CC</sub> = 5.5 V, V <sub>I</sub> = V <sub>CC</sub> or GND |      |       |             | ±1    |             | ±1   | μA   |    |
|                          | A or B ports   |  |      |       |             | ±100  |             | ±100 |      |    |
| I <sub>OZH</sub> ‡       | V <sub>CC</sub> = 5.5 V, V <sub>O</sub> = 2.7 V                                      |  |      | 50**  |             | 10    |             | 50   | μA   |    |
| I <sub>OZL</sub> ‡       | V <sub>CC</sub> = 5.5 V, V <sub>O</sub> = 0.5 V                                      |  |      | -50** |             | -10   |             | -50  | μA   |    |
| I <sub>off</sub>         | V <sub>CC</sub> = 0, V <sub>I</sub> or V <sub>O</sub> ≤ 4.5 V                        |  |      | ±100  |             |       |             | ±100 | μA   |    |
| I <sub>CEX</sub>         | V <sub>CC</sub> = 5.5 V, V <sub>O</sub> = 5.5 V                                      | Outputs high   |      |       |             | 50    |             | 50   | μA   |    |
| I <sub>O</sub> §         | V <sub>CC</sub> = 5.5 V, V <sub>O</sub> = 2.5 V                                      |  |      | -50   | -100        | -180  |             | -50  | -180 | mA |
| I <sub>CC</sub>          | V <sub>CC</sub> = 5.5 V, I <sub>O</sub> = 0, V <sub>I</sub> = V <sub>CC</sub> or GND | Outputs high   |      |       |             | 250   |             | 250  | μA   |    |
|                          |  | Outputs low  |      |       |             | 30    |             | 30   | mA   |    |
|                          |  | Outputs disabled   |      |       |             | 250   |             | 250  | μA   |    |
| ΔI <sub>CC</sub> ¶       | V <sub>CC</sub> = 5.5 V, One input at 3.4 V, Other inputs at V <sub>CC</sub> or GND  |  |      |       |             | 1.5   |             | 1.5  | mA   |    |
| C <sub>i</sub>           | Control inputs   | V <sub>I</sub> = 2.5 V or 0.5 V                                  |      |       |             | 7     |             |      | pF   |    |
| C <sub>io</sub>          | A or B ports   | V <sub>O</sub> = 2.5 V or 0.5 V                                  |      |       |             | 12    |             |      | pF   |    |

\* On products compliant to MIL-PRF-38535, this parameter does not apply.

\*\* These limits apply only to the SN74ABT652A.

† All typical values are at V<sub>CC</sub> = 5 V.

‡ The parameters I<sub>OZH</sub> and I<sub>OZL</sub> include the input leakage current.

§ Not more than one output should be tested at a time, and the duration of the test should not exceed one second.

¶ This is the increase in supply current for each input that is at the specified TTL voltage level rather than V<sub>CC</sub> or GND.



**SN54ABT652A, SN74ABT652A**  
**OCTAL REGISTERED TRANSCEIVERS**  
**WITH 3-STATE OUTPUTS**

SCBS072F – JANUARY 1991 – REVISED MAY 1997

**timing requirements over recommended ranges of supply voltage and operating free-air temperature (unless otherwise noted) (see Figure 2)**

|  | SN54ABT652A                                     |     |     |     | UNIT |
|--|---|-----|-----|-----|------|
|  | V <sub>CC</sub> = 5 V,<br>T <sub>A</sub> = 25°C |     | MIN | MAX |      |
|  | MIN   | MAX |     |     |      |
| f <sub>clock</sub> Clock frequency                         | 0   | 125 | 0   | 125 | MHz  |
| t <sub>w</sub> Pulse duration, CLK high or low             | 4   |     | 4   |     | ns   |
| t <sub>su</sub> Setup time, A or B before CLKAB↑ or CLKBA↑ | 3   |     | 3.5 |     | ns   |
| t <sub>h</sub> Hold time, A or B after CLKAB↑ or CLKBA↑    | 1.5   |     | 1.5 |     | ns   |

**timing requirements over recommended ranges of supply voltage and operating free-air temperature (unless otherwise noted) (see Figure 2)**

|  | SN74ABT652A                                     |     |     |     | UNIT |
|--|---|-----|-----|-----|------|
|  | V <sub>CC</sub> = 5 V,<br>T <sub>A</sub> = 25°C |     | MIN | MAX |      |
|  | MIN   | MAX |     |     |      |
| f <sub>clock</sub> Clock frequency                         | 0   | 125 | 0   | 125 | MHz  |
| t <sub>w</sub> Pulse duration, CLK high or low             | 4   |     | 4   |     | ns   |
| t <sub>su</sub> Setup time, A or B before CLKAB↑ or CLKBA↑ | 3   |     | 3   |     | ns   |
| t <sub>h</sub> Hold time, A or B after CLKAB↑ or CLKBA↑    | 0   |     | 0   |     | ns   |





# SN54ABT652A, SN74ABT652A OCTAL REGISTERED TRANSCEIVERS WITH 3-STATE OUTPUTS

SCBS072F – JANUARY 1991 – REVISED MAY 1997

switching characteristics over recommended ranges of supply voltage and operating free-air temperature,  $C_L = 50$  pF (unless otherwise noted) (see Figure 2)

| PARAMETER | FROM (INPUT)      | TO (OUTPUT) | SN54ABT652A                           |     |     |     |     | UNIT |
|-----------|-------------------|-------------|---------------------------------------|-----|-----|-----|-----|------|
|           |                   |             | $V_{CC} = 5$ V,<br>$T_A = 25^\circ$ C |     |     | MIN | MAX |      |
|           |                   |             | MIN                                   | TYP | MAX |     |     |      |
| $f_{max}$ |                   |             | 125                                   | 200 |     | 125 | MHz |      |
| $t_{PLH}$ | CLK               | B or A      | 2.2                                   | 4   | 5.1 | 1.7 | 5.9 | ns   |
| $t_{PHL}$ |                   |             | 1.7                                   | 4   | 5.1 | 1.7 | 5.9 |      |
| $t_{PLH}$ | A or B            | B or A      | 1.5                                   | 3   | 4.8 | 1   | 5   | ns   |
| $t_{PHL}$ |                   |             | 1.5                                   | 3.3 | 4.6 | 1   | 5.6 |      |
| $t_{PLH}$ | SAB or SBA†       | B or A      | 1.5                                   | 4   | 5.5 | 1.5 | 6.8 | ns   |
| $t_{PHL}$ |                   |             | 1.5                                   | 3.6 | 4.9 | 1.5 | 6.2 |      |
| $t_{PZH}$ | $\overline{OEBA}$ | A           | 2                                     | 3.6 | 5.4 | 2   | 6.8 | ns   |
| $t_{PZL}$ |                   |             | 3                                     | 5.7 | 7.7 | 3   | 9.2 |      |
| $t_{PHZ}$ | $\overline{OEBA}$ | A           | 1.5                                   | 3.2 | 5.8 | 1   | 7.5 | ns   |
| $t_{PLZ}$ |                   |             | 1.5                                   | 3   | 4.3 | 1   | 4.6 |      |
| $t_{PZH}$ | OEAB              | B           | 2                                     | 4.3 | 6.1 | 2   | 7.8 | ns   |
| $t_{PZL}$ |                   |             | 3                                     | 5.5 | 7.4 | 3   | 8.9 |      |
| $t_{PHZ}$ | OEAB              | B           | 1.5                                   | 3.3 | 6   | 1   | 8   | ns   |
| $t_{PLZ}$ |                   |             | 1.5                                   | 3.4 | 5   | 1.5 | 6.8 |      |

† These parameters are measured with the internal output state of the storage register opposite that of the bus input.

switching characteristics over recommended ranges of supply voltage and operating free-air temperature,  $C_L = 50$  pF (unless otherwise noted) (see Figure 2)

| PARAMETER | FROM (INPUT)      | TO (OUTPUT) | SN74ABT652A                           |     |     |     |     | UNIT |
|-----------|-------------------|-------------|---------------------------------------|-----|-----|-----|-----|------|
|           |                   |             | $V_{CC} = 5$ V,<br>$T_A = 25^\circ$ C |     |     | MIN | MAX |      |
|           |                   |             | MIN                                   | TYP | MAX |     |     |      |
| $f_{max}$ |                   |             | 125                                   | 200 |     | 125 | MHz |      |
| $t_{PLH}$ | CLK               | B or A      | 2.2                                   | 4   | 5.1 | 2.2 | 5.6 | ns   |
| $t_{PHL}$ |                   |             | 1.7                                   | 4   | 5.1 | 1.7 | 5.6 |      |
| $t_{PLH}$ | A or B            | B or A      | 1.5                                   | 3   | 4.3 | 1.5 | 4.8 | ns   |
| $t_{PHL}$ |                   |             | 1.5                                   | 3.3 | 4.6 | 1.5 | 5.4 |      |
| $t_{PLH}$ | SAB or SBA†       | B or A      | 1.5                                   | 4   | 5.1 | 1.5 | 6.5 | ns   |
| $t_{PHL}$ |                   |             | 1.5                                   | 3.6 | 4.9 | 1.5 | 5.9 |      |
| $t_{PZH}$ | $\overline{OEBA}$ | A           | 2                                     | 3.6 | 4.6 | 2   | 5.8 | ns   |
| $t_{PZL}$ |                   |             | 3                                     | 5.7 | 6.8 | 3   | 8.5 |      |
| $t_{PHZ}$ | $\overline{OEBA}$ | A           | 1.5                                   | 3.2 | 4.5 | 1.5 | 5   | ns   |
| $t_{PLZ}$ |                   |             | 1.5                                   | 3   | 3.8 | 1.5 | 4.1 |      |
| $t_{PZH}$ | OEAB              | B           | 2                                     | 4.3 | 6.1 | 2   | 6.5 | ns   |
| $t_{PZL}$ |                   |             | 3                                     | 5.5 | 6.5 | 3   | 7.4 |      |
| $t_{PHZ}$ | OEAB              | B           | 1.5                                   | 3.3 | 4.5 | 1.5 | 5.5 | ns   |
| $t_{PLZ}$ |                   |             | 1.5                                   | 3.4 | 4.4 | 1.5 | 5.1 |      |

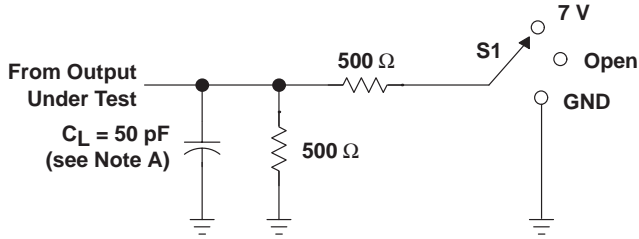
† These parameters are measured with the internal output state of the storage register opposite that of the bus input.



**SN54ABT652A, SN74ABT652A**  
**OCTAL REGISTERED TRANSCEIVERS**  
**WITH 3-STATE OUTPUTS**

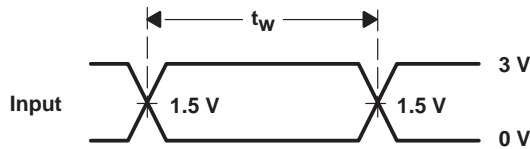
SCBS072F – JANUARY 1991 – REVISED MAY 1997

**PARAMETER MEASUREMENT INFORMATION**

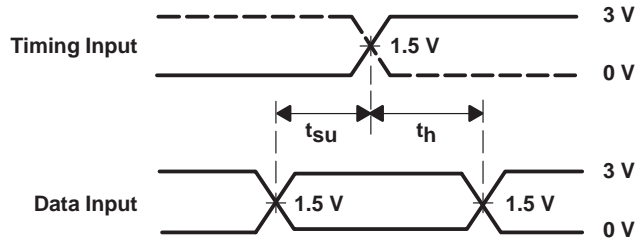


| TEST              | S1   |
|-------------------|------|
| $t_{PLH}/t_{PHL}$ | Open |
| $t_{PLZ}/t_{PZL}$ | 7 V  |
| $t_{PHZ}/t_{PZH}$ | Open |

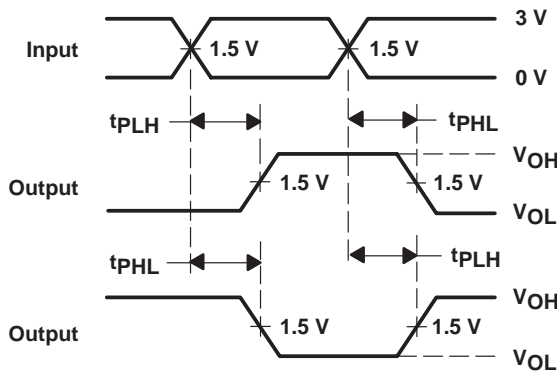
**LOAD CIRCUIT**



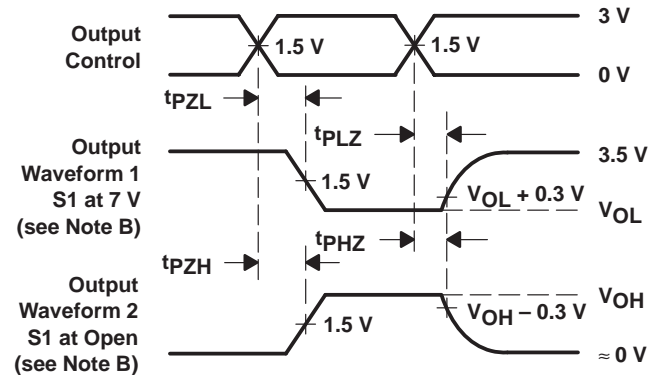
**VOLTAGE WAVEFORMS**  
**PULSE DURATION**



**VOLTAGE WAVEFORMS**  
**SETUP AND HOLD TIMES**



**VOLTAGE WAVEFORMS**  
**PROPAGATION DELAY TIMES**  
**INVERTING AND NONINVERTING OUTPUTS**



**VOLTAGE WAVEFORMS**  
**ENABLE AND DISABLE TIMES**  
**LOW- AND HIGH-LEVEL ENABLING**

- NOTES: A.  $C_L$  includes probe and jig capacitance.  
 B. Waveform 1 is for an output with internal conditions such that the output is low except when disabled by the output control. Waveform 2 is for an output with internal conditions such that the output is high except when disabled by the output control.  
 C. All input pulses are supplied by generators having the following characteristics:  $PRR \leq 10$  MHz,  $Z_O = 50 \Omega$ ,  $t_r \leq 2.5$  ns,  $t_f \leq 2.5$  ns.  
 D. The outputs are measured one at a time with one transition per measurement.

**Figure 2. Load Circuit and Voltage Waveforms**

**PACKAGING INFORMATION**

| Orderable Device | Status <sup>(1)</sup> | Package Type | Package Drawing | Pins | Package Qty | Eco Plan <sup>(2)</sup>    | Lead/<br>Ball Finish | MSL Peak Temp <sup>(3)</sup> | Samples<br>(Requires Login) |
|------------------|-----------------------|--------------|-----------------|------|-------------|----------------------------|----------------------|------------------------------|-----------------------------|
| 5962-9324202Q3A  | ACTIVE                | LCCC         | FK              | 28   | 1           | TBD                        | Call TI              | Call TI                      |                             |
| 5962-9324202QKA  | ACTIVE                | CFP          | W               | 24   | 1           | TBD                        | Call TI              | Call TI                      |                             |
| 5962-9324202QLA  | ACTIVE                | CDIP         | JT              | 24   | 1           | TBD                        | Call TI              | Call TI                      |                             |
| SN74ABT652ADBLE  | OBSOLETE              | SSOP         | DB              | 24   |             | TBD                        | Call TI              | Call TI                      |                             |
| SN74ABT652ADBR   | ACTIVE                | SSOP         | DB              | 24   | 2000        | Green (RoHS<br>& no Sb/Br) | CU NIPDAU            | Level-1-260C-UNLIM           |                             |
| SN74ABT652ADBRE4 | ACTIVE                | SSOP         | DB              | 24   | 2000        | Green (RoHS<br>& no Sb/Br) | CU NIPDAU            | Level-1-260C-UNLIM           |                             |
| SN74ABT652ADBRG4 | ACTIVE                | SSOP         | DB              | 24   | 2000        | Green (RoHS<br>& no Sb/Br) | CU NIPDAU            | Level-1-260C-UNLIM           |                             |
| SN74ABT652ADW    | ACTIVE                | SOIC         | DW              | 24   | 25          | Green (RoHS<br>& no Sb/Br) | CU NIPDAU            | Level-1-260C-UNLIM           |                             |
| SN74ABT652ADWE4  | ACTIVE                | SOIC         | DW              | 24   | 25          | Green (RoHS<br>& no Sb/Br) | CU NIPDAU            | Level-1-260C-UNLIM           |                             |
| SN74ABT652ADWG4  | ACTIVE                | SOIC         | DW              | 24   | 25          | Green (RoHS<br>& no Sb/Br) | CU NIPDAU            | Level-1-260C-UNLIM           |                             |
| SN74ABT652ADWR   | ACTIVE                | SOIC         | DW              | 24   | 2000        | Green (RoHS<br>& no Sb/Br) | CU NIPDAU            | Level-1-260C-UNLIM           |                             |
| SN74ABT652ADWRE4 | ACTIVE                | SOIC         | DW              | 24   | 2000        | Green (RoHS<br>& no Sb/Br) | CU NIPDAU            | Level-1-260C-UNLIM           |                             |
| SN74ABT652ADWRG4 | ACTIVE                | SOIC         | DW              | 24   | 2000        | Green (RoHS<br>& no Sb/Br) | CU NIPDAU            | Level-1-260C-UNLIM           |                             |
| SN74ABT652ANT    | ACTIVE                | PDIP         | NT              | 24   | 15          | Pb-Free (RoHS)             | CU NIPDAU            | N / A for Pkg Type           |                             |
| SN74ABT652ANTE4  | ACTIVE                | PDIP         | NT              | 24   | 15          | Pb-Free (RoHS)             | CU NIPDAU            | N / A for Pkg Type           |                             |
| SNJ54ABT652AFK   | ACTIVE                | LCCC         | FK              | 28   | 1           | TBD                        | POST-PLATE           | N / A for Pkg Type           |                             |
| SNJ54ABT652AJT   | ACTIVE                | CDIP         | JT              | 24   | 1           | TBD                        | A42                  | N / A for Pkg Type           |                             |
| SNJ54ABT652AW    | ACTIVE                | CFP          | W               | 24   | 1           | TBD                        | A42                  | N / A for Pkg Type           |                             |

<sup>(1)</sup> The marketing status values are defined as follows:

**ACTIVE:** Product device recommended for new designs.

**LIFEBUY:** TI has announced that the device will be discontinued, and a lifetime-buy period is in effect.

**NRND:** Not recommended for new designs. Device is in production to support existing customers, but TI does not recommend using this part in a new design.

**PREVIEW:** Device has been announced but is not in production. Samples may or may not be available.

**OBSOLETE:** TI has discontinued the production of the device.

---

<sup>(2)</sup> Eco Plan - The planned eco-friendly classification: Pb-Free (RoHS), Pb-Free (RoHS Exempt), or Green (RoHS & no Sb/Br) - please check <http://www.ti.com/productcontent> for the latest availability information and additional product content details.

**TBD:** The Pb-Free/Green conversion plan has not been defined.

**Pb-Free (RoHS):** TI's terms "Lead-Free" or "Pb-Free" mean semiconductor products that are compatible with the current RoHS requirements for all 6 substances, including the requirement that lead not exceed 0.1% by weight in homogeneous materials. Where designed to be soldered at high temperatures, TI Pb-Free products are suitable for use in specified lead-free processes.

**Pb-Free (RoHS Exempt):** This component has a RoHS exemption for either 1) lead-based flip-chip solder bumps used between the die and package, or 2) lead-based die adhesive used between the die and leadframe. The component is otherwise considered Pb-Free (RoHS compatible) as defined above.

**Green (RoHS & no Sb/Br):** TI defines "Green" to mean Pb-Free (RoHS compatible), and free of Bromine (Br) and Antimony (Sb) based flame retardants (Br or Sb do not exceed 0.1% by weight in homogeneous material)

<sup>(3)</sup> MSL, Peak Temp. -- The Moisture Sensitivity Level rating according to the JEDEC industry standard classifications, and peak solder temperature.

**Important Information and Disclaimer:** The information provided on this page represents TI's knowledge and belief as of the date that it is provided. TI bases its knowledge and belief on information provided by third parties, and makes no representation or warranty as to the accuracy of such information. Efforts are underway to better integrate information from third parties. TI has taken and continues to take reasonable steps to provide representative and accurate information but may not have conducted destructive testing or chemical analysis on incoming materials and chemicals. TI and TI suppliers consider certain information to be proprietary, and thus CAS numbers and other limited information may not be available for release.

In no event shall TI's liability arising out of such information exceed the total purchase price of the TI part(s) at issue in this document sold by TI to Customer on an annual basis.

**OTHER QUALIFIED VERSIONS OF SN54ABT652A, SN74ABT652A :**

● Catalog: [SN74ABT652A](#)

● Military: [SN54ABT652A](#)

NOTE: Qualified Version Definitions:

● Catalog - TI's standard catalog product

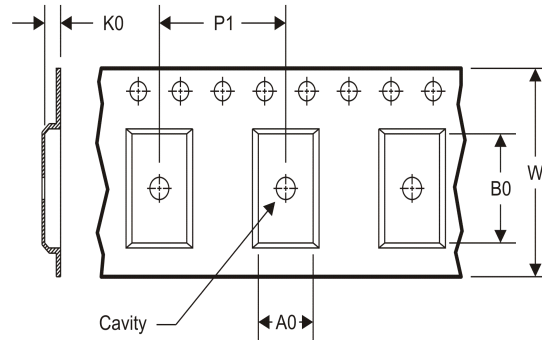
● Military - QML certified for Military and Defense Applications

**TAPE AND REEL INFORMATION**

**REEL DIMENSIONS**



**TAPE DIMENSIONS**



|    |   |
|----|---|
| A0 | Dimension designed to accommodate the component width     |
| B0 | Dimension designed to accommodate the component length    |
| K0 | Dimension designed to accommodate the component thickness |
| W  | Overall width of the carrier tape                         |
| P1 | Pitch between successive cavity centers                   |

**TAPE AND REEL INFORMATION**

\*All dimensions are nominal

| Device         | Package Type | Package Drawing | Pins | SPQ  | Reel Diameter (mm) | Reel Width W1 (mm) | A0 (mm) | B0 (mm) | K0 (mm) | P1 (mm) | W (mm) | Pin1 Quadrant |
|----------------|--------------|-----------------|------|------|--------------------|--------------------|---------|---------|---------|---------|--------|---------------|
| SN74ABT652ADBR | SSOP         | DB              | 24   | 2000 | 330.0              | 16.4               | 8.2     | 8.8     | 2.5     | 12.0    | 16.0   | Q1            |
| SN74ABT652ADWR | SOIC         | DW              | 24   | 2000 | 330.0              | 24.4               | 10.75   | 15.7    | 2.7     | 12.0    | 24.0   | Q1            |

TAPE AND REEL BOX DIMENSIONS



\*All dimensions are nominal

| Device         | Package Type | Package Drawing | Pins | SPQ  | Length (mm) | Width (mm) | Height (mm) |
|----------------|--------------|-----------------|------|------|-------------|------------|-------------|
| SN74ABT652ADBR | SSOP         | DB              | 24   | 2000 | 367.0       | 367.0      | 38.0        |
| SN74ABT652ADWR | SOIC         | DW              | 24   | 2000 | 367.0       | 367.0      | 45.0        |

JT (R-GDIP-T\*\*)

CERAMIC DUAL-IN-LINE

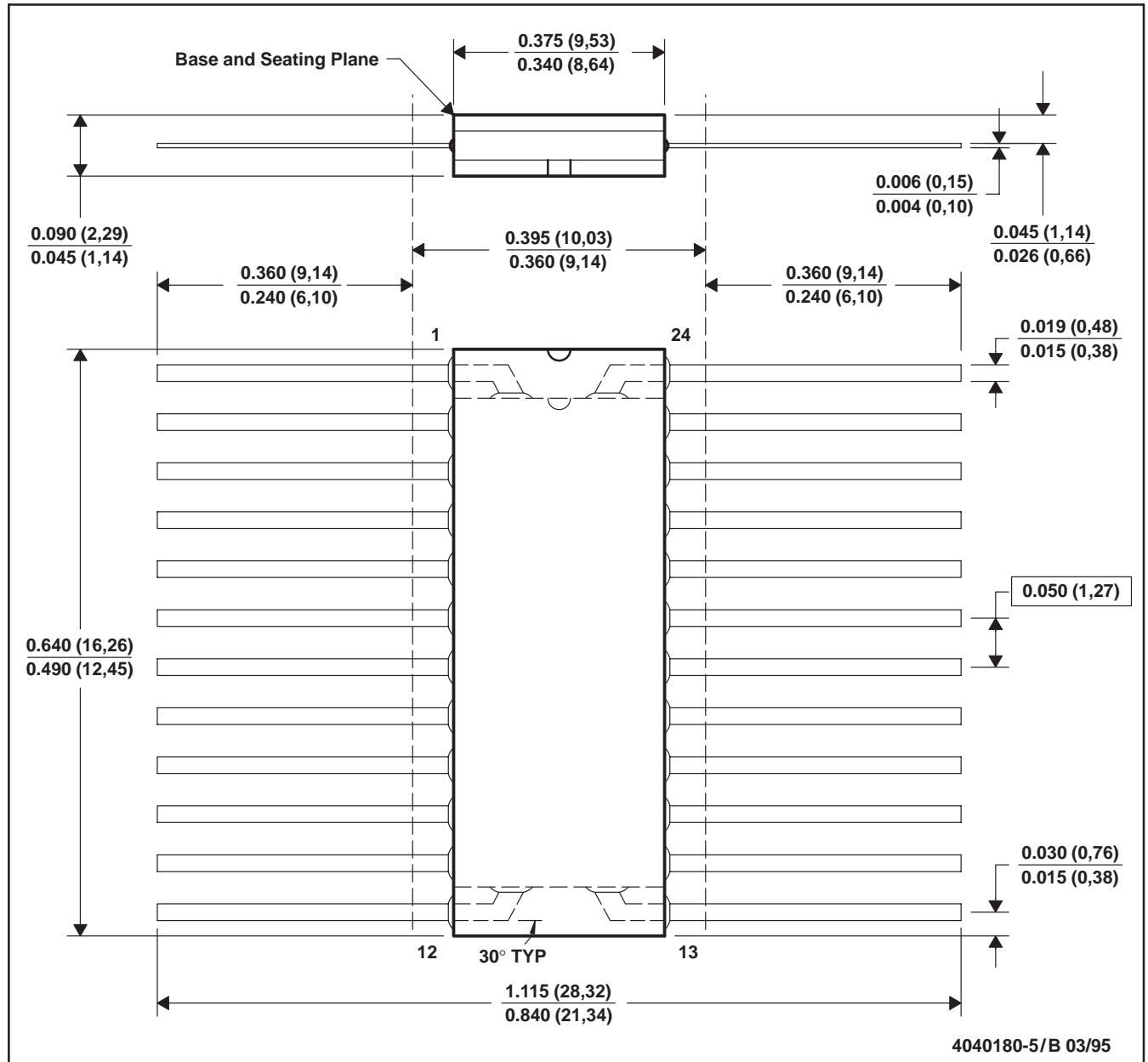
24 LEADS SHOWN



- NOTES: A. All linear dimensions are in inches (millimeters).  
 B. This drawing is subject to change without notice.  
 C. This package can be hermetically sealed with a ceramic lid using glass frit.  
 D. Index point is provided on cap for terminal identification.  
 E. Falls within MIL STD 1835 GDIP3-T24, GDIP4-T28, and JEDEC MO-058 AA, MO-058 AB

W (R-GDFP-F24)

CERAMIC DUAL FLATPACK



- NOTES:
- All linear dimensions are in inches (millimeters).
  - This drawing is subject to change without notice.
  - This package can be hermetically sealed with a ceramic lid using glass frit.
  - Falls within MIL-STD-1835 GDFP2-F24 and JEDEC MO-070AD
  - Index point is provided on cap for terminal identification only.



FK (S-CQCC-N\*\*)

LEADLESS CERAMIC CHIP CARRIER

28 TERMINAL SHOWN



| NO. OF TERMINALS ** | A                |                  | B                |                  |
|---------------------|------------------|------------------|------------------|------------------|
|                     | MIN              | MAX              | MIN              | MAX              |
| 20                  | 0.342<br>(8,69)  | 0.358<br>(9,09)  | 0.307<br>(7,80)  | 0.358<br>(9,09)  |
| 28                  | 0.442<br>(11,23) | 0.458<br>(11,63) | 0.406<br>(10,31) | 0.458<br>(11,63) |
| 44                  | 0.640<br>(16,26) | 0.660<br>(16,76) | 0.495<br>(12,58) | 0.560<br>(14,22) |
| 52                  | 0.740<br>(18,78) | 0.761<br>(19,32) | 0.495<br>(12,58) | 0.560<br>(14,22) |
| 68                  | 0.938<br>(23,83) | 0.962<br>(24,43) | 0.850<br>(21,6)  | 0.858<br>(21,8)  |
| 84                  | 1.141<br>(28,99) | 1.165<br>(29,59) | 1.047<br>(26,6)  | 1.063<br>(27,0)  |



4040140/D 01/11


- NOTES:
- All linear dimensions are in inches (millimeters).
  - This drawing is subject to change without notice.
  - This package can be hermetically sealed with a metal lid.
  - Falls within JEDEC MS-004

# MECHANICAL DATA

NT (R-PDIP-T\*\*) 24 PINS SHOWN

PLASTIC DUAL-IN-LINE PACKAGE



- NOTES:
- A. All linear dimensions are in millimeters. Dimensioning and tolerancing per ASME Y14.5M-1994.
  - B. This drawing is subject to change without notice.
  -  The 28 pin end lead shoulder width is a vendor option, either half or full width.

DW (R-PDSO-G24)

PLASTIC SMALL OUTLINE



- NOTES:
- A. All linear dimensions are in inches (millimeters). Dimensioning and tolerancing per ASME Y14.5M-1994.
  - B. This drawing is subject to change without notice.
  - C. Body dimensions do not include mold flash or protrusion not to exceed 0.006 (0,15).
  - D. Falls within JEDEC MS-013 variation AD.

DB (R-PDSO-G\*\*)

PLASTIC SMALL-OUTLINE

28 PINS SHOWN



- NOTES: A. All linear dimensions are in millimeters.  
 B. This drawing is subject to change without notice.  
 C. Body dimensions do not include mold flash or protrusion not to exceed 0,15.  
 D. Falls within JEDEC MO-150

## IMPORTANT NOTICE

Texas Instruments Incorporated and its subsidiaries (TI) reserve the right to make corrections, enhancements, improvements and other changes to its semiconductor products and services per JESD46C and to discontinue any product or service per JESD48B. Buyers should obtain the latest relevant information before placing orders and should verify that such information is current and complete. All semiconductor products (also referred to herein as "components") are sold subject to TI's terms and conditions of sale supplied at the time of order acknowledgment.

TI warrants performance of its components to the specifications applicable at the time of sale, in accordance with the warranty in TI's terms and conditions of sale of semiconductor products. Testing and other quality control techniques are used to the extent TI deems necessary to support this warranty. Except where mandated by applicable law, testing of all parameters of each component is not necessarily performed.

TI assumes no liability for applications assistance or the design of Buyers' products. Buyers are responsible for their products and applications using TI components. To minimize the risks associated with Buyers' products and applications, Buyers should provide adequate design and operating safeguards.

TI does not warrant or represent that any license, either express or implied, is granted under any patent right, copyright, mask work right, or other intellectual property right relating to any combination, machine, or process in which TI components or services are used. Information published by TI regarding third-party products or services does not constitute a license to use such products or services or a warranty or endorsement thereof. Use of such information may require a license from a third party under the patents or other intellectual property of the third party, or a license from TI under the patents or other intellectual property of TI.

Reproduction of significant portions of TI information in TI data books or data sheets is permissible only if reproduction is without alteration and is accompanied by all associated warranties, conditions, limitations, and notices. TI is not responsible or liable for such altered documentation. Information of third parties may be subject to additional restrictions.

Resale of TI components or services with statements different from or beyond the parameters stated by TI for that component or service voids all express and any implied warranties for the associated TI component or service and is an unfair and deceptive business practice. TI is not responsible or liable for any such statements.

Buyer acknowledges and agrees that it is solely responsible for compliance with all legal, regulatory and safety-related requirements concerning its products, and any use of TI components in its applications, notwithstanding any applications-related information or support that may be provided by TI. Buyer represents and agrees that it has all the necessary expertise to create and implement safeguards which anticipate dangerous consequences of failures, monitor failures and their consequences, lessen the likelihood of failures that might cause harm and take appropriate remedial actions. Buyer will fully indemnify TI and its representatives against any damages arising out of the use of any TI components in safety-critical applications.

In some cases, TI components may be promoted specifically to facilitate safety-related applications. With such components, TI's goal is to help enable customers to design and create their own end-product solutions that meet applicable functional safety standards and requirements. Nonetheless, such components are subject to these terms.

No TI components are authorized for use in FDA Class III (or similar life-critical medical equipment) unless authorized officers of the parties have executed a special agreement specifically governing such use.

Only those TI components which TI has specifically designated as military grade or "enhanced plastic" are designed and intended for use in military/aerospace applications or environments. Buyer acknowledges and agrees that any military or aerospace use of TI components which have **not** been so designated is solely at the Buyer's risk, and that Buyer is solely responsible for compliance with all legal and regulatory requirements in connection with such use.

TI has specifically designated certain components which meet ISO/TS16949 requirements, mainly for automotive use. Components which have not been so designated are neither designed nor intended for automotive use; and TI will not be responsible for any failure of such components to meet such requirements.

### Products

|                        |  |
|------------------------|--|
| Audio                  | <a href="http://www.ti.com/audio">www.ti.com/audio</a>                               |
| Amplifiers             | <a href="http://amplifier.ti.com">amplifier.ti.com</a>                               |
| Data Converters        | <a href="http://dataconverter.ti.com">dataconverter.ti.com</a>                       |
| DLP® Products          | <a href="http://www.dlp.com">www.dlp.com</a>   |
| DSP                    | <a href="http://dsp.ti.com">dsp.ti.com</a>   |
| Clocks and Timers      | <a href="http://www.ti.com/clocks">www.ti.com/clocks</a>                             |
| Interface              | <a href="http://interface.ti.com">interface.ti.com</a>                               |
| Logic                  | <a href="http://logic.ti.com">logic.ti.com</a>                                       |
| Power Mgmt             | <a href="http://power.ti.com">power.ti.com</a>                                       |
| Microcontrollers       | <a href="http://microcontroller.ti.com">microcontroller.ti.com</a>                   |
| RFID                   | <a href="http://www.ti-rfid.com">www.ti-rfid.com</a>                                 |
| OMAP Mobile Processors | <a href="http://www.ti.com/omap">www.ti.com/omap</a>                                 |
| Wireless Connectivity  | <a href="http://www.ti.com/wirelessconnectivity">www.ti.com/wirelessconnectivity</a> |

### Applications

|                               |  |
|-------------------------------|--|
| Automotive and Transportation | <a href="http://www.ti.com/automotive">www.ti.com/automotive</a>                         |
| Communications and Telecom    | <a href="http://www.ti.com/communications">www.ti.com/communications</a>                 |
| Computers and Peripherals     | <a href="http://www.ti.com/computers">www.ti.com/computers</a>                           |
| Consumer Electronics          | <a href="http://www.ti.com/consumer-apps">www.ti.com/consumer-apps</a>                   |
| Energy and Lighting           | <a href="http://www.ti.com/energy">www.ti.com/energy</a>                                 |
| Industrial                    | <a href="http://www.ti.com/industrial">www.ti.com/industrial</a>                         |
| Medical                       | <a href="http://www.ti.com/medical">www.ti.com/medical</a>                               |
| Security                      | <a href="http://www.ti.com/security">www.ti.com/security</a>                             |
| Space, Avionics and Defense   | <a href="http://www.ti.com/space-avionics-defense">www.ti.com/space-avionics-defense</a> |
| Video and Imaging             | <a href="http://www.ti.com/video">www.ti.com/video</a>                                   |

**TI E2E Community** [e2e.ti.com](http://e2e.ti.com)