



SCCS066 - June 1997 - Revised March 2000

# CY74FCT163500

## 18-Bit Registered Transceiver

### Features

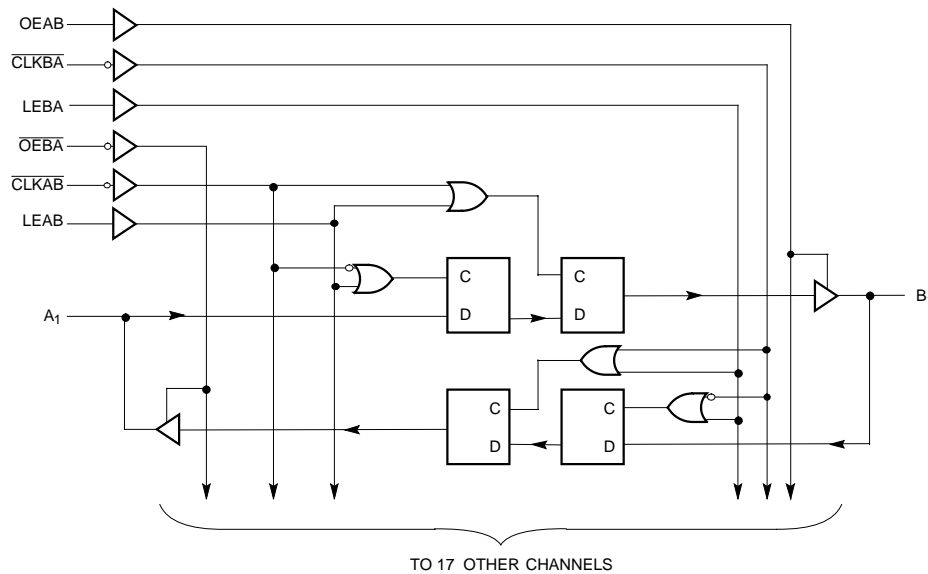
- Low power, pin-compatible replacement for LCX and LPT families
- 5V tolerant inputs and outputs
- 24 mA balanced drive outputs
- Power-off disable outputs permits live insertion
- Edge-rate control circuitry for reduced noise
- FCT-C speed at 4.6 ns
- Latch-up performance exceeds JEDEC standard no. 17
- ESD > 2000V per MIL-STD-883D, Method 3015
- Typical output skew < 250ps
- Industrial temperature range of -40°C to +85°C
- TSSOP (19.6-mil pitch) or SSOP (25-mil pitch)
- Typical  $V_{Olp}$  (ground bounce) performance exceeds Mil Std 883D
- $V_{CC} = 2.7V$  to 3.6V

### Functional Description

The CY74FCT163500 is an 18-bit universal bus transceiver that can be operated in transparent, latched, or clock modes by combining D-type latches and D-type flip-flops. Data flow in each direction is controlled by output-enable (OEAB and OEBA), latch enable (LEAB and LEBA), and clock inputs (CLKAB and CLKBA) inputs. For A-to-B data flow, the device operates in transparent mode when LEAB is HIGH. When LEAB is LOW, the A data is latched if CLKAB is held at a HIGH or LOW logic level. If LEAB is LOW, the A bus data is stored in the latch/flip-flop on the HIGH-to-LOW transition of CLKAB. OEAB performs the output enable function on the B port. Data flow from B-to-A is similar to that of A-to-B and is controlled by OEBA, LEBA, and CLKBA.

The CY74FCT163500 has 24-mA balanced output drivers with current limiting resistors in the outputs. This reduces the need for external terminating resistors and provides for minimal undershoot and reduced ground bounce. The inputs and outputs are capable of being driven by 5.0V busses, allowing them to be used in mixed voltage systems as translators. The outputs are also designed with a power off disable feature enabling them to be used in applications requiring live insertion.

### Logic Block Diagram



### Pin Configuration

SSOP/TSSOP  
Top View

|                 |    |    |                 |
|-----------------|----|----|-----------------|
| OEAB            | 1  | 56 | GND             |
| LEAB            | 2  | 55 | CLKAB           |
| A <sub>1</sub>  | 3  | 54 | B <sub>1</sub>  |
| GND             | 4  | 53 | GND             |
| A <sub>2</sub>  | 5  | 52 | B <sub>2</sub>  |
| A <sub>3</sub>  | 6  | 51 | B <sub>3</sub>  |
| V <sub>CC</sub> | 7  | 50 | V <sub>CC</sub> |
| A <sub>4</sub>  | 8  | 49 | B <sub>4</sub>  |
| A <sub>5</sub>  | 9  | 48 | B <sub>5</sub>  |
| A <sub>6</sub>  | 10 | 47 | B <sub>6</sub>  |
| GND             | 11 | 46 | GND             |
| A <sub>7</sub>  | 12 | 45 | B <sub>7</sub>  |
| A <sub>8</sub>  | 13 | 44 | B <sub>8</sub>  |
| A <sub>9</sub>  | 14 | 43 | B <sub>9</sub>  |
| A <sub>10</sub> | 15 | 42 | B <sub>10</sub> |
| A <sub>11</sub> | 16 | 41 | B <sub>11</sub> |
| A <sub>12</sub> | 17 | 40 | B <sub>12</sub> |
| GND             | 18 | 39 | GND             |
| A <sub>13</sub> | 19 | 38 | B <sub>13</sub> |
| A <sub>14</sub> | 20 | 37 | B <sub>14</sub> |
| A <sub>15</sub> | 21 | 36 | B <sub>15</sub> |
| V <sub>CC</sub> | 22 | 35 | V <sub>CC</sub> |
| A <sub>16</sub> | 23 | 34 | B <sub>16</sub> |
| A <sub>17</sub> | 24 | 33 | B <sub>17</sub> |
| GND             | 25 | 32 | GND             |
| A <sub>18</sub> | 26 | 31 | B <sub>18</sub> |
| OEBA            | 27 | 30 | CLKBA           |
| LEBA            | 28 | 29 | GND             |

**Pin Summary**

| Name                      | Description                                      |
|---------------------------|--|
| OEAB                      | A-to-B Output Enable Input                       |
| $\overline{\text{OEBA}}$  | B-to-A Output Enable Input (Active LOW)          |
| LEAB                      | A-to-B Latch Enable Input                        |
| LEBA                      | B-to-A Latch Enable Input                        |
| $\overline{\text{CLKAB}}$ | A-to-B Clock Input (Active LOW)                  |
| $\overline{\text{CLKBA}}$ | B-to-A Clock Input (Active LOW)                  |
| A                         | A-to-B Data Inputs or B-to-A Three-State Outputs |
| B                         | B-to-A Data Inputs or A-to-B Three-State Outputs |

**Function Table<sup>[1,2]</sup>**

| Inputs |      |              |   | Outputs          |
|--------|------|--------------|---|------------------|
| OEAB   | LEAB | CLKAB        | A | B                |
| L      | X    | X            | X | Z                |
| H      | H    | X            | L | L                |
| H      | H    | X            | H | H                |
| H      | L    | $\downarrow$ | L | L                |
| H      | L    | $\downarrow$ | H | H                |
| H      | L    | H            | X | B <sup>[3]</sup> |
| H      | L    | L            | X | B <sup>[4]</sup> |

**Notes:**

1. H = HIGH Voltage Level. L = LOW Voltage Level. X = Don't Care. Z = HIGH Impedance.  $\downarrow$  = HIGH-to-LOW Transition.
2. A-to-B data flow is shown, B-to-A data flow is similar but uses OEBA, LEBA, and CLKBA.
3. Output level before the indicated steady-state input conditions were established.
4. Output level before the indicated steady-state input conditions were established, provided that  $\overline{\text{CLKAB}}$  was LOW before LEAB went LOW.
5. Operation beyond the limits set forth may impair the useful life of the device. Unless noted, these limits are over the operating free-air temperature range.
6. Unused inputs must always be connected to an appropriate logic voltage level, preferably either  $V_{CC}$  or ground.

**Maximum Ratings<sup>[5,6]</sup>**

(Above which the useful life may be impaired. For user guidelines, not tested.)

|  |                                       |
|--|---------------------------------------|
| Storage Temperature .....                          | -55°C to +125°C                       |
| Ambient Temperature with Power Applied .....       | -55°C to +125°C                       |
| Supply Voltage Range .....                         | 0.5V to +4.6V                         |
| DC Input Voltage .....                             | -0.5V to +7.0V                        |
| DC Output Voltage .....                            | -0.5V to +7.0V                        |
| DC Output Current (Maximum Sink Current/Pin) ..... | -60 to +120 mA                        |
| Power Dissipation .....                            | 1.0W                                  |
| Static Discharge Voltage.....                      | >2001V (per MIL-STD-883, Method 3015) |

**Operating Range**

| Range      | Ambient Temperature | $V_{CC}$     |
|------------|---------------------|--------------|
| Industrial | -40°C to +85°C      | 2.7V to 3.6V |

**Electrical Characteristics** Over the Operating Range  $V_{CC}=2.7V$  to  $3.6V$ 

| Parameter | Description   | Test Conditions   | Min.         | Typ. <sup>[7]</sup> | Max.      | Unit    |
|-----------|---|---|--------------|---------------------|-----------|---------|
| $V_{IH}$  | Input HIGH Voltage                                      | All Inputs  | 2.0          |                     | 5.5       | V       |
| $V_{IL}$  | Input LOW Voltage                                       |   |              |                     | 0.8       | V       |
| $V_H$     | Input Hysteresis <sup>[8]</sup>                         |   |              | 100                 |           | mV      |
| $V_{IK}$  | Input Clamp Diode Voltage                               | $V_{CC}=\text{Min.}, I_{IN}=-18\text{ mA}$                |              | -0.7                | -1.2      | V       |
| $I_{IH}$  | Input HIGH Current                                      | $V_{CC}=\text{Max.}, V_I=5.5V$                            |              |                     | $\pm 1$   | $\mu A$ |
| $I_{IL}$  | Input LOW Current                                       | $V_{CC}=\text{Max.}, V_I=\text{GND.}$                     |              |                     | $\pm 1$   | $\mu A$ |
| $I_{OZH}$ | High Impedance Output Current (Three-State Output pins) | $V_{CC}=\text{Max.}, V_{OUT}=5.5V$                        |              |                     | $\pm 1$   | $\mu A$ |
| $I_{OZL}$ | High Impedance Output Current (Three-State Output pins) | $V_{CC}=\text{Max.}, V_{OUT}=\text{GND}$                  |              |                     | $\pm 1$   | $\mu A$ |
| $I_{ODL}$ | Output LOW Current <sup>[9]</sup>                       | $V_{CC}=3.3V, V_{IN}=V_{IH}$<br>or $V_{IL}, V_{OUT}=1.5V$ | 45           |                     | 180       | mA      |
| $I_{ODH}$ | Output HIGH Current <sup>[9]</sup>                      | $V_{CC}=3.3V, V_{IN}=V_{IH}$<br>or $V_{IL}, V_{OUT}=1.5V$ | -45          |                     | -180      | mA      |
| $V_{OH}$  | Output HIGH Voltage                                     | $V_{CC}=\text{Min.}, I_{OH}= -0.1\text{ mA}$              | $V_{CC}-0.2$ |                     |           | V       |
|           |   | $V_{CC}=3.0V, I_{OH}= -8\text{ mA}$                       | 2.4          | 3.0                 |           | V       |
|           |   | $V_{CC}=3.0V, I_{OH}= -24\text{ mA}$                      | 2.0          | 3.0                 |           | V       |
| $V_{OL}$  | Output LOW Voltage                                      | $V_{CC}=\text{Min.}, I_{OL}= 0.1\text{mA}$                |              |                     | 0.2       | V       |
|           |   | $V_{CC}=\text{Min.}, I_{OL}= 24\text{ mA}$                |              | 0.3                 | 0.5       | V       |
| $I_{OS}$  | Short Circuit Current <sup>[9]</sup>                    | $V_{CC}=\text{Max.}, V_{OUT}=\text{GND}$                  | -60          | -135                | -240      | mA      |
| $I_{OFF}$ | Power-Off Disable                                       | $V_{CC}=0V, V_{OUT}\leq 4.5V$                             |              |                     | $\pm 100$ | $\mu A$ |

**Capacitance<sup>[8]</sup>** ( $T_A = +25^\circ C, f = 1.0\text{ MHz}$ )

| Parameter | Description        | Test Conditions | Typ. <sup>[7]</sup> | Max. | Unit |
|-----------|--------------------|-----------------|---------------------|------|------|
| $C_{IN}$  | Input Capacitance  | $V_{IN} = 0V$   | 4.5                 | 6.0  | pF   |
| $C_{OUT}$ | Output Capacitance | $V_{OUT} = 0V$  | 5.5                 | 8.0  | pF   |

**Notes:**

- Typical values are at  $V_{CC}=3.3V, T_A = +25^\circ C$  ambient.
- This parameter is specified but not tested.
- Not more than one output should be shorted at a time. Duration of short should not exceed one second. The use of high-speed test apparatus and/or sample and hold techniques are preferable in order to minimize internal chip heating and more accurately reflect operational values. Otherwise prolonged shorting of a high output may raise the chip temperature well above normal and thereby cause invalid readings in other parametric tests. In any sequence of parameter tests,  $I_{OS}$  tests should be performed last.

**Power Supply Characteristics**

| Parameter       | Description                                      | Test Conditions   |  | Typ. <sup>[7]</sup> | Max.                | Unit               |
|-----------------|--|---|--|---------------------|---------------------|--------------------|
| $I_{CC}$        | Quiescent Power Supply Current                   | $V_{CC}=\text{Max.}$  | $V_{IN} \leq 0.2V,$<br>$V_{IN} \geq V_{CC}-0.2V$ | 0.1                 | 10                  | $\mu A$            |
| $\Delta I_{CC}$ | Quiescent Power Supply Current (TTL inputs HIGH) | $V_{CC}=\text{Max.}$  | $V_{IN}=V_{CC}-0.6V^{[10]}$                      | 2.0                 | 30                  | $\mu A$            |
| $I_{CCD}$       | Dynamic Power Supply Current <sup>[11]</sup>     | $V_{CC}=\text{Max.},$ One Input Toggling, 50% Duty Cycle, Outputs Open, OEAB=OEBA= $V_{CC}$ or GND                                    | $V_{IN}=V_{CC}$ or<br>$V_{IN}=\text{GND}$        | 50                  | 75                  | $\mu A/\text{MHz}$ |
| $I_C$           | Total Power Supply Current <sup>[12]</sup>       | $V_{CC}=\text{Max.},$ $f_0=10$ MHz (CLKAB), $f_1=5$ MHz, 50% Duty Cycle, Outputs Open, One Bit Toggling, OEAB=OEBA= $V_{CC}$ LEAB=GND | $V_{IN}=V_{CC}$ or<br>$V_{IN}=\text{GND}$        | 0.5                 | 0.8                 | mA                 |
|                 |  |   | $V_{IN}=V_{CC}-0.6V$ or<br>$V_{IN}=\text{GND}$   | 0.5                 | 0.8                 | mA                 |
|                 |  | $V_{CC}=\text{Max.},$ $f_0=10$ MHz, $f_1=2.5$ MHz, 50% Duty Cycle, Outputs Open, Eighteen Bits Toggling, OEAB=OEBA= $V_{CC}$ LEAB=GND | $V_{IN}=V_{CC}$ or<br>$V_{IN}=\text{GND}$        | 2.5                 | 3.8 <sup>[13]</sup> | mA                 |
|                 |  |   | $V_{IN}=V_{CC}-0.6V$ or<br>$V_{IN}=\text{GND}$   | 2.6                 | 4.1 <sup>[13]</sup> | mA                 |

**Notes:**

10. Per TTL driven input; all other inputs at  $V_{CC}$  or GND.
11. This parameter is not directly testable, but is derived for use in Total Power Supply calculations.
12.  $I_C = I_{\text{QUIESCENT}} + I_{\text{INPUTS}} + I_{\text{DYNAMIC}}$   
 $I_C = I_{CC} + \Delta I_{CC} D_H N_T + I_{CCD} (f_0 N_C / 2 + f_1 N_1)$   
 $I_{CC}$  = Quiescent Current with CMOS input levels  
 $\Delta I_{CC}$  = Power Supply Current for a TTL HIGH input ( $V_{IN}=3.4V$ )  
 $D_H$  = Duty Cycle for TTL inputs HIGH  
 $N_T$  = Number of TTL inputs at  $D_H$   
 $I_{CCD}$  = Dynamic Current caused by an input transition pair (HLH or LHL)  
 $f_0$  = Clock frequency for registered devices, otherwise zero  
 $N_C$  = Number of clock inputs changing at  $f_0$   
 $f_1$  = Input signal frequency  
 $N_1$  = Number of inputs changing at  $f_1$   
 All currents are in milliamps and all frequencies are in megahertz.
13. Values for these conditions are examples of the  $I_{CC}$  formula. These limits are specified but not tested.

**Switching Characteristics** Over the Operating Range  $V_{CC} = 3.0V$  to  $3.6V$ <sup>[14, 15]</sup>

| Parameter              | Description  | CY74FCT163500A |      | CY74FCT163500C |      | Unit | Fig. No. <sup>[16]</sup> |
|------------------------|--|----------------|------|----------------|------|------|--------------------------|
|                        |  | Min.           | Max. | Min.           | Max. |      |                          |
| $f_{MAX}$              | CLKAB or CLKBA frequency                           |                | 150  |                | 150  | MHz  |                          |
| $t_{PLH}$<br>$t_{PHL}$ | Propagation Delay<br>A to B or B to A              | 1.5            | 5.1  | 1.5            | 4.6  | ns   | 1, 3                     |
| $t_{PLH}$<br>$t_{PHL}$ | Propagation Delay<br>LEBA to A, LEAB to B          | 1.5            | 5.6  | 1.5            | 5.3  | ns   | 1, 5                     |
| $t_{PLH}$<br>$t_{PHL}$ | Propagation Delay<br>CLKBA to A, CLKAB to B        | 1.5            | 5.6  | 1.5            | 5.3  | ns   | 1, 5                     |
| $t_{PZH}$<br>$t_{PZL}$ | Output Enable Time<br>OEBA to A, OEAB to B         | 1.5            | 6.0  | 1.5            | 5.4  | ns   | 1, 7, 8                  |
| $t_{PHZ}$<br>$t_{PLZ}$ | Output Disable Time<br>OEBA to A, OEAB to B        | 1.5            | 5.6  | 1.5            | 5.2  | ns   | 1, 7, 8                  |
| $t_{SU}$               | Set-Up Time, HIGH or LOW<br>A to CLKAB, B to CLKBA | 3.0            |      | 3.0            |      | ns   | 9                        |
| $t_H$                  | Hold Time, HIGH or LOW<br>A to CLKAB, B to CLKBA   | 0              |      | 0              |      | ns   | 9                        |
| $t_{SU}$               | Set-Up Time, HIGH or LOW<br>A to LEAB, B to LEBA   | Clock HIGH     | 3.0  |                | 3.0  | ns   | 4                        |
|                        |  | Clock LOW      | 1.5  |                | 1.5  | ns   | 4                        |
| $t_H$                  | Hold Time, HIGH or LOW<br>A to LEAB, B to LEBA     | 1.5            |      | 1.5            |      | ns   | 4                        |
| $t_W$                  | LEAB or LEBA Pulse Width HIGH                      | 3.0            |      | 2.5            |      | ns   | 5                        |
| $t_W$                  | CLKAB or CLKBA Pulse Width HIGH or LOW             | 3.0            |      | 3.0            |      | ns   | 5                        |
| $t_{SK(O)}$            | Output Skew <sup>[17]</sup>                        |                | 0.5  |                | 0.5  | ns   |                          |

**Ordering Information CY74FCT163500**

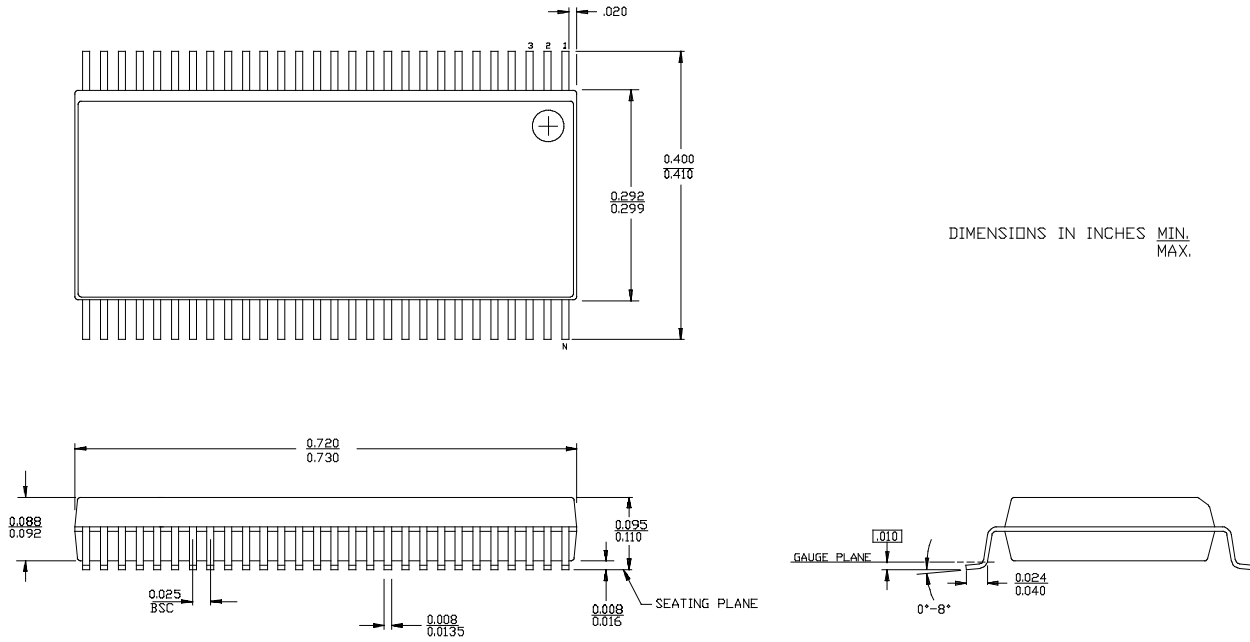
| Speed (ns) | Ordering Code          | Package Name | Package Type            | Operating Range |
|------------|------------------------|--------------|-------------------------|-----------------|
| 4.6        | CY74FCT163500CPACT     | Z56          | 56-Lead (240-Mil) TSSOP | Industrial      |
|            | CY74FCT163500CPVC/PVCT | O56          | 56-Lead (300-Mil) SSOP  |                 |
| 5.1        | CY74FCT163500APVC/PVCT | O56          | 56-Lead (300-Mil) SSOP  | Industrial      |

**Notes:**

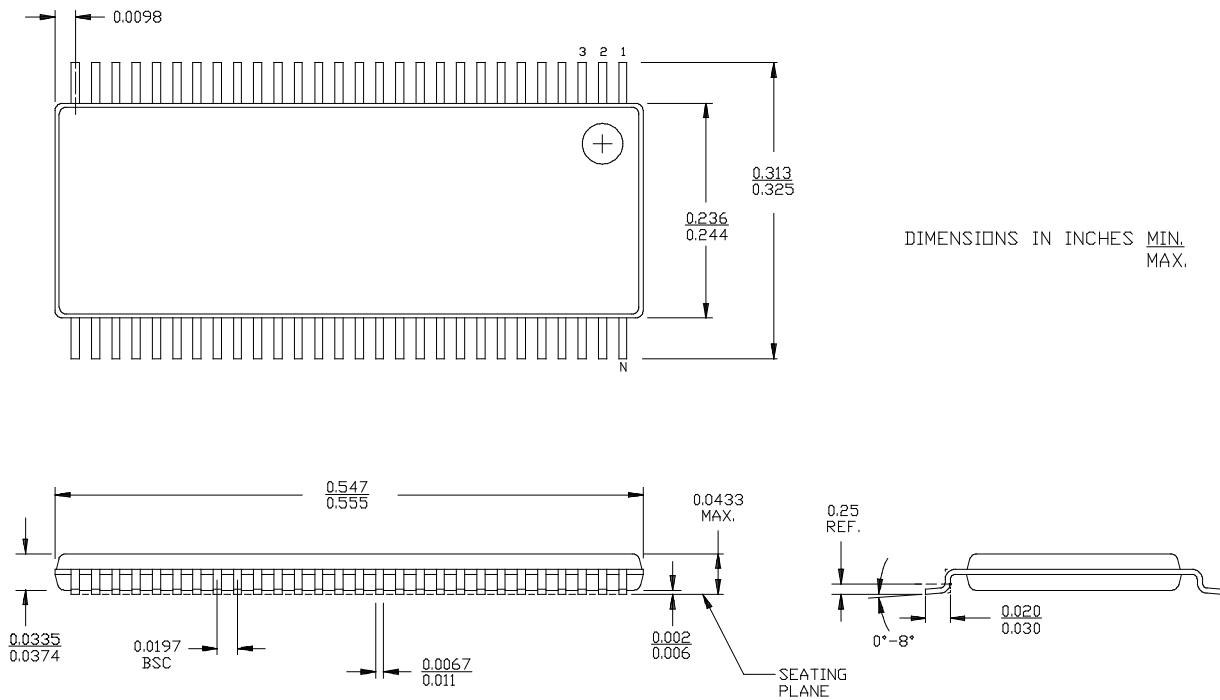
14. Minimum limits are specified but not tested on Propagation Delays.
15. For  $V_{CC} = 2.7$ , propagation delay, output enable and output disable times should be degraded by 20%.
16. See "Parameter Measurement Information" in the General Information section.
17. Skew between any two outputs of the same package switching in the same direction. This parameter is ensured by design.

**Package Diagrams**

**56-Lead Shrunk Small Outline Package O56**



**56-Lead Thin Shrunk Small Outline Package Z56**



**PACKAGING INFORMATION**

| Orderable Device   | Status <sup>(1)</sup> | Package Type | Package Drawing | Pins | Package Qty | Eco Plan <sup>(2)</sup> | Lead/Ball Finish | MSL Peak Temp <sup>(3)</sup> |
|--------------------|-----------------------|--------------|-----------------|------|-------------|-------------------------|------------------|------------------------------|
| CY74FCT163500APVC  | OBSOLETE              | SSOP         | DL              | 56   |             | TBD                     | Call TI          | Call TI                      |
| CY74FCT163500APVCT | OBSOLETE              | SSOP         | DL              | 56   |             | TBD                     | Call TI          | Call TI                      |
| CY74FCT163500CPAC  | OBSOLETE              | TSSOP        | DGG             | 56   |             | TBD                     | Call TI          | Call TI                      |
| CY74FCT163500CPACT | OBSOLETE              | TSSOP        | DGG             | 56   |             | TBD                     | Call TI          | Call TI                      |
| CY74FCT163500CPVC  | OBSOLETE              | SSOP         | DL              | 56   |             | TBD                     | Call TI          | Call TI                      |
| CY74FCT163500CPVCT | OBSOLETE              | SSOP         | DL              | 56   |             | TBD                     | Call TI          | Call TI                      |

<sup>(1)</sup> The marketing status values are defined as follows:

**ACTIVE:** Product device recommended for new designs.

**LIFEBUY:** TI has announced that the device will be discontinued, and a lifetime-buy period is in effect.

**NRND:** Not recommended for new designs. Device is in production to support existing customers, but TI does not recommend using this part in a new design.

**PREVIEW:** Device has been announced but is not in production. Samples may or may not be available.

**OBSOLETE:** TI has discontinued the production of the device.

<sup>(2)</sup> Eco Plan - The planned eco-friendly classification: Pb-Free (RoHS) or Green (RoHS & no Sb/Br) - please check <http://www.ti.com/productcontent> for the latest availability information and additional product content details.

**TBD:** The Pb-Free/Green conversion plan has not been defined.

**Pb-Free (RoHS):** TI's terms "Lead-Free" or "Pb-Free" mean semiconductor products that are compatible with the current RoHS requirements for all 6 substances, including the requirement that lead not exceed 0.1% by weight in homogeneous materials. Where designed to be soldered at high temperatures, TI Pb-Free products are suitable for use in specified lead-free processes.

**Green (RoHS & no Sb/Br):** TI defines "Green" to mean Pb-Free (RoHS compatible), and free of Bromine (Br) and Antimony (Sb) based flame retardants (Br or Sb do not exceed 0.1% by weight in homogeneous material)

<sup>(3)</sup> MSL, Peak Temp. -- The Moisture Sensitivity Level rating according to the JEDEC industry standard classifications, and peak solder temperature.

**Important Information and Disclaimer:**The information provided on this page represents TI's knowledge and belief as of the date that it is provided. TI bases its knowledge and belief on information provided by third parties, and makes no representation or warranty as to the accuracy of such information. Efforts are underway to better integrate information from third parties. TI has taken and continues to take reasonable steps to provide representative and accurate information but may not have conducted destructive testing or chemical analysis on incoming materials and chemicals. TI and TI suppliers consider certain information to be proprietary, and thus CAS numbers and other limited information may not be available for release.

In no event shall TI's liability arising out of such information exceed the total purchase price of the TI part(s) at issue in this document sold by TI to Customer on an annual basis.

DL (R-PDSO-G\*\*)

PLASTIC SMALL-OUTLINE PACKAGE

48 PINS SHOWN



- NOTES: A. All linear dimensions are in inches (millimeters).  
 B. This drawing is subject to change without notice.  
 C. Body dimensions do not include mold flash or protrusion not to exceed 0.006 (0,15).  
 D. Falls within JEDEC MO-118



DGG (R-PDSO-G\*\*)

PLASTIC SMALL-OUTLINE PACKAGE

48 PINS SHOWN



- NOTES: A. All linear dimensions are in millimeters.  
 B. This drawing is subject to change without notice.  
 C. Body dimensions do not include mold protrusion not to exceed 0,15.  
 D. Falls within JEDEC MO-153

## IMPORTANT NOTICE

Texas Instruments Incorporated and its subsidiaries (TI) reserve the right to make corrections, modifications, enhancements, improvements, and other changes to its products and services at any time and to discontinue any product or service without notice. Customers should obtain the latest relevant information before placing orders and should verify that such information is current and complete. All products are sold subject to TI's terms and conditions of sale supplied at the time of order acknowledgment.

TI warrants performance of its hardware products to the specifications applicable at the time of sale in accordance with TI's standard warranty. Testing and other quality control techniques are used to the extent TI deems necessary to support this warranty. Except where mandated by government requirements, testing of all parameters of each product is not necessarily performed.

TI assumes no liability for applications assistance or customer product design. Customers are responsible for their products and applications using TI components. To minimize the risks associated with customer products and applications, customers should provide adequate design and operating safeguards.

TI does not warrant or represent that any license, either express or implied, is granted under any TI patent right, copyright, mask work right, or other TI intellectual property right relating to any combination, machine, or process in which TI products or services are used. Information published by TI regarding third-party products or services does not constitute a license from TI to use such products or services or a warranty or endorsement thereof. Use of such information may require a license from a third party under the patents or other intellectual property of the third party, or a license from TI under the patents or other intellectual property of TI.

Reproduction of information in TI data books or data sheets is permissible only if reproduction is without alteration and is accompanied by all associated warranties, conditions, limitations, and notices. Reproduction of this information with alteration is an unfair and deceptive business practice. TI is not responsible or liable for such altered documentation.

Resale of TI products or services with statements different from or beyond the parameters stated by TI for that product or service voids all express and any implied warranties for the associated TI product or service and is an unfair and deceptive business practice. TI is not responsible or liable for any such statements.

Following are URLs where you can obtain information on other Texas Instruments products and application solutions:

| <b>Products</b>  |  | <b>Applications</b> |  |
|------------------|--|---------------------|--|
| Amplifiers       | <a href="http://amplifier.ti.com">amplifier.ti.com</a>             | Audio               | <a href="http://www.ti.com/audio">www.ti.com/audio</a>                   |
| Data Converters  | <a href="http://dataconverter.ti.com">dataconverter.ti.com</a>     | Automotive          | <a href="http://www.ti.com/automotive">www.ti.com/automotive</a>         |
| DSP              | <a href="http://dsp.ti.com">dsp.ti.com</a>                         | Broadband           | <a href="http://www.ti.com/broadband">www.ti.com/broadband</a>           |
| Interface        | <a href="http://interface.ti.com">interface.ti.com</a>             | Digital Control     | <a href="http://www.ti.com/digitalcontrol">www.ti.com/digitalcontrol</a> |
| Logic            | <a href="http://logic.ti.com">logic.ti.com</a>                     | Military            | <a href="http://www.ti.com/military">www.ti.com/military</a>             |
| Power Mgmt       | <a href="http://power.ti.com">power.ti.com</a>                     | Optical Networking  | <a href="http://www.ti.com/opticalnetwork">www.ti.com/opticalnetwork</a> |
| Microcontrollers | <a href="http://microcontroller.ti.com">microcontroller.ti.com</a> | Security            | <a href="http://www.ti.com/security">www.ti.com/security</a>             |
|                  |  | Telephony           | <a href="http://www.ti.com/telephony">www.ti.com/telephony</a>           |
|                  |  | Video & Imaging     | <a href="http://www.ti.com/video">www.ti.com/video</a>                   |
|                  |  | Wireless            | <a href="http://www.ti.com/wireless">www.ti.com/wireless</a>             |

Mailing Address: Texas Instruments  
Post Office Box 655303 Dallas, Texas 75265