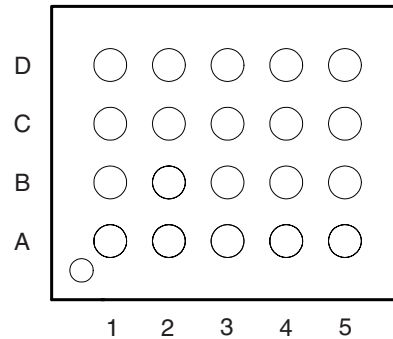


# 1-GHz BANDWIDTH, 8-CHANNEL SPST SWITCH

Check for Samples: [TS2DDR2811](#)

## FEATURES

- Wide Bandwidth (BW = 1100 MHz Typ)
- Low Crosstalk ( $X_{TALK} = -37$  dB Typ)
- Low Bit-to-Bit Skew ( $t_{sk(o)} = 100$  ps Max)
- Low and Flat ON-State Resistance ( $r_{ON} = 4$   $\Omega$  Typ,  $r_{ON(Flat)} = 0.5$   $\Omega$  Typ)
- Low Input/Output Capacitance ( $C_{ON} = 8$  pF Typ)
- Rail-to-Rail Switching on Data I/O Ports (0 V to 5 V)
- $V_{CC}$  Operating Range From 3 V to 3.6 V
- Latch-Up Performance Exceeds 100 mA Per JESD 78, Class II
- ESD Performance Tested Per JESD 22
  - 2000-V Human-Body Model (A114-B, Class II)
  - 1000-V Charged-Device Model (C101)

**ZXY PACKAGE  
(BOTTOM VIEW)**

**TERMINAL ASSIGNMENTS**

<b>D</b>	B <sub>6</sub>	B <sub>5</sub>	B <sub>3</sub>	SEL	B <sub>0</sub>
<b>C</b>	B <sub>7</sub>	B <sub>4</sub>	B <sub>2</sub>	B <sub>1</sub>	N.C.
<b>B</b>	GND	A <sub>5</sub>	A <sub>3</sub>	A <sub>1</sub>	V <sub>CC</sub>
<b>A</b>	A <sub>7</sub>	A <sub>6</sub>	A <sub>4</sub>	A <sub>2</sub>	A <sub>0</sub>
	<b>1</b>	<b>2</b>	<b>3</b>	<b>4</b>	<b>5</b>

## APPLICATIONS

- DDR2 Signal Switching
- GbE LAN Signal Switching
- Hub and Router Signal Switching
- Audio/Video Switching

## DESCRIPTION/ORDERING INFORMATION

The TS2DDR2811 is a 8-channel single-pole single-throw (SPST) signal switch capable of switching signals with bandwidth in excess of 1 GHz. The device includes a select pin (SEL) that is used to select any 1 of the 8 channel inputs. This select pin controls the data path of the SPST switch. The device provides a low and flat ON-state resistance ( $r_{ON}$ ) and an excellent ON-state resistance match. Low input/output capacitance, high bandwidth, low skew, and low crosstalk among channels make this device suitable for various high-bandwidth applications, such as DDR2, 10/100/1000 Base-T, audio, and video.

**Table 1. ORDERING INFORMATION**

T <sub>A</sub>	PACKAGE <sup>(1)</sup> <sup>(2)</sup>		ORDERABLE PART NUMBER	TOP-SIDE MARKING
-40°C to 85°C	BGA – ZXY	Tape and reel	TS2DDR2811ZXYR	SJ811

(1) Package drawings, thermal data, and symbolization are available at [www.ti.com/packaging](http://www.ti.com/packaging).

(2) For the most current package and ordering information, see the Package Option Addendum at the end of this document, or see the TI website at [www.ti.com](http://www.ti.com).

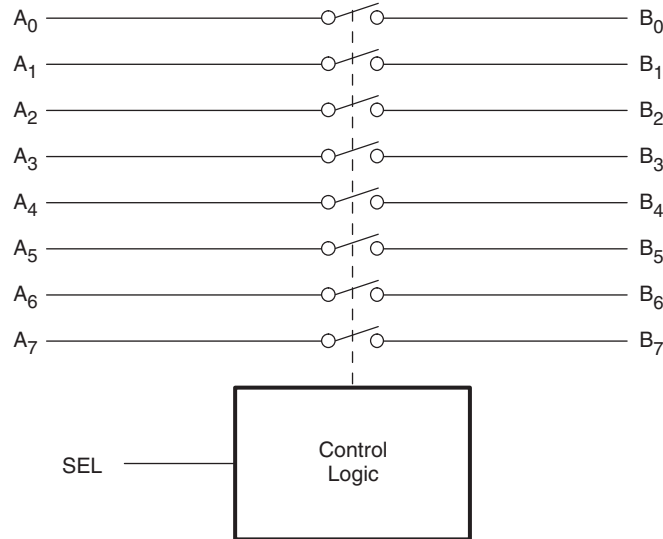


Please be aware that an important notice concerning availability, standard warranty, and use in critical applications of Texas Instruments semiconductor products and disclaimers thereto appears at the end of this data sheet.

**FUNCTION TABLE**

INPUT SEL	INPUT	OUTPUT	FUNCTION
H	$A_n$	$B_n$	$A_n = B_n$
L	-	-	$A_n$ and $B_n$ are Hi-Z

**LOGIC DIAGRAM**



**TERMINAL FUNCTIONS**

BALL		DESCRIPTION
NAME	NO.	
$A_0, A_1, A_2, A_3, A_4, A_5, A_6, A_7$	A5, B4, A4 B3, A3, B2, A2, A1	Data I/Os
$B_0, B_1, B_2, B_3, B_4, B_5, B_6, B_7$	D5, C4, C3, D3, C2, D2, D1, C1	Data I/Os
GND	B1	Ground
SEL	D4	Select inputs
$V_{CC}$	B5	Supply voltage

## ABSOLUTE MAXIMUM RATINGS<sup>(1)</sup>

over operating free-air temperature range (unless otherwise noted)

		MIN	MAX	UNIT
V <sub>CC</sub>	Supply voltage range	-0.5	4.6	V
V <sub>IN</sub>	Control input voltage range <sup>(2) (3)</sup>	-0.5	7	V
V <sub>I/O</sub>	Switch I/O voltage range <sup>(2) (3) (4)</sup>	-0.5	7	V
I <sub>IK</sub>	Control input clamp current	V <sub>IN</sub> < 0 or V <sub>IN</sub> > V <sub>CC</sub>		-50 mA
I <sub>I/O</sub> K	I/O port clamp current	V <sub>I/O</sub> < 0 or V <sub>I/O</sub> > V <sub>CC</sub>		-50 mA
I <sub>I/O</sub>	ON-state switch current <sup>(5)</sup>			±128 mA
	Continuous current through V <sub>DD</sub> or GND			±100 mA
θ <sub>JA</sub>	Package thermal impedance <sup>(6)</sup>			31.8 °C/W
T <sub>stg</sub>	Storage temperature range	-65	150	°C

- (1) Stresses beyond those listed under "absolute maximum ratings" may cause permanent damage to the device. These are stress ratings only, and functional operation of the device at these or any other conditions beyond those indicated under "recommended operating conditions" is not implied. Exposure to absolute-maximum-rated conditions for extended periods may affect device reliability.
- (2) All voltages are with respect to ground, unless otherwise specified.
- (3) The input and output voltage ratings may be exceeded if the input and output clamp-current ratings are observed.
- (4) V<sub>I</sub> and V<sub>O</sub> are used to denote specific conditions for V<sub>I/O</sub>.
- (5) I<sub>I</sub> and I<sub>O</sub> are used to denote specific conditions for I<sub>I/O</sub>.
- (6) The package thermal impedance is calculated in accordance with JESD 51-7.

## RECOMMENDED OPERATING CONDITIONS<sup>(1)</sup>

		MIN	MAX	UNIT	
V <sub>CC</sub>	Supply voltage	3	3.6	V	
V <sub>IH</sub>	High-level control input voltage	SEL	2	5.5	V
V <sub>IL</sub>	Low-level control input voltage	SEL	0	0.8	V
V <sub>I</sub>	Input voltage	SEL	0	5.5	V
V <sub>I/O</sub>	Input/output voltage	0	V <sub>CC</sub>	V	
T <sub>A</sub>	Operating free-air temperature	-40	85	°C	

- (1) All unused control inputs of the device must be held at V<sub>DD</sub> or GND to ensure proper device operation. Refer to the TI application report, *Implications of Slow or Floating CMOS Inputs*, literature number SCBA004.

## ELECTRICAL CHARACTERISTICS

for 1000 Base-T Ethernet switching over recommended operating free-air temperature range, V<sub>CC</sub> = 3.3 V ± 0.3 V (unless otherwise noted)

PARAMETER		TEST CONDITIONS <sup>(1)</sup>		MIN	TYP <sup>(2)</sup>	MAX	UNIT
V <sub>IK</sub>	SEL	V <sub>CC</sub> = 3.6 V,	I <sub>IN</sub> = -18 mA	-0.7	-1.2		V
I <sub>IH</sub>	SEL	V <sub>CC</sub> = 3.6 V,	V <sub>IN</sub> = V <sub>CC</sub>			±1	µA
I <sub>IL</sub>	SEL	V <sub>CC</sub> = 3.6 V,	V <sub>IN</sub> = GND			±1	µA
I <sub>CC</sub>		V <sub>CC</sub> = 3.6 V,	I <sub>I/O</sub> = 0, Switch ON or OFF	250	500		µA
C <sub>IN</sub>	SEL	f = 1 M Hz,	V <sub>IN</sub> = 0	2	2.5		pF
C <sub>OFF</sub>	B port	V <sub>I</sub> = 0,	f = 1 MHz, Outputs open, Switch OFF	2.5	4		pF
C <sub>ON</sub>		V <sub>I</sub> = 0,	f = 1 MHz, Outputs open, Switch ON	8	TBD		pF
r <sub>ON</sub>		V <sub>CC</sub> = 3 V,	1.5 V ≤ V <sub>I</sub> ≤ V <sub>CC</sub> , I <sub>O</sub> = -40 mA	4	6		Ω
r <sub>ON(Flat)</sub> <sup>(3)</sup>		V <sub>CC</sub> = 3 V,	V <sub>I</sub> = 1.5 V and V <sub>CC</sub> , I <sub>O</sub> = -40 mA	0.5			Ω
Δr <sub>ON</sub> <sup>(4)</sup>		V <sub>CC</sub> = 3 V,	1.5 V ≤ V <sub>I</sub> ≤ V <sub>CC</sub> , I <sub>O</sub> = -40 mA	0.4	1		Ω

- (1) V<sub>I</sub>, V<sub>O</sub>, I<sub>I</sub>, and I<sub>O</sub> refer to I/O pins. V<sub>IN</sub> refers to the control inputs.
- (2) All typical values are at V<sub>CC</sub> = 3.3 V (unless otherwise noted), T<sub>A</sub> = 25°C.
- (3) r<sub>ON(Flat)</sub> is the difference of r<sub>ON</sub> in a given channel at specified voltages.
- (4) Δr<sub>ON</sub> is the difference of r<sub>ON</sub> from center (A<sub>4</sub>, A<sub>5</sub>) ports to any other port.

## ELECTRICAL CHARACTERISTICS

for 10/100 Base-T Ethernet switching over recommended operating free-air temperature range,  $V_{CC} = 3.3 \text{ V} \pm 0.3 \text{ V}$  (unless otherwise noted)

PARAMETER		TEST CONDITIONS <sup>(1)</sup>		MIN	TYP <sup>(2)</sup>	MAX	UNIT
$V_{IK}$	SEL	$V_{CC} = 3.6 \text{ V}$ ,	$I_{IN} = -18 \text{ mA}$	-0.7	-1.2		V
$I_{IH}$	SEL	$V_{CC} = 3.6 \text{ V}$ ,	$V_{IN} = V_{CC}$			$\pm 1$	$\mu\text{A}$
$I_{IL}$	SEL	$V_{CC} = 3.6 \text{ V}$ ,	$V_{IN} = \text{GND}$			$\pm 1$	$\mu\text{A}$
$I_{CC}$		$V_{CC} = 3.6 \text{ V}$ ,	$I_{I/O} = 0$ ,		250	500	$\mu\text{A}$
$C_{IN}$	SEL	$f = 1 \text{ MHz}$ ,	$V_{IN} = 0$		2	2.5	pF
$C_{OFF}$	B port	$V_I = 0$ ,	$f = 1 \text{ MHz}$ ,		2.5	4	pF
			Outputs open,				
			Switch OFF				
$C_{ON}$		$V_I = 0$ ,	$f = 1 \text{ MHz}$ ,		8		pF
			Outputs open,				
			Switch ON				
$r_{ON}$		$V_{CC} = 3 \text{ V}$ ,	$1.25 \text{ V} \leq V_I \leq V_{CC}$ ,		4	6	$\Omega$
			$I_O = -10 \text{ mA}$ to $-30 \text{ mA}$				
$r_{ON(\text{flat})}$ <sup>(3)</sup>		$V_{CC} = 3 \text{ V}$ ,	$V_I = 1.25 \text{ V}$ and $V_{CC}$ ,		0.5		$\Omega$
			$I_O = -10 \text{ mA}$ to $-30 \text{ mA}$				
$\Delta r_{ON}$ <sup>(4)</sup>		$V_{CC} = 3 \text{ V}$ ,	$1.25 \text{ V} \leq V_I \leq V_{CC}$ ,		0.4	1	$\Omega$
			$I_O = -10 \text{ mA}$ to $-30 \text{ mA}$				

- (1)  $V_I$ ,  $V_O$ ,  $I_I$ , and  $I_O$  refer to I/O pins.  $V_{IN}$  refers to the control inputs.  
(2) All typical values are at  $V_{CC} = 3.3 \text{ V}$  (unless otherwise noted),  $T_A = 25^\circ\text{C}$ .  
(3)  $r_{ON(\text{flat})}$  is the difference of  $r_{ON}$  in a given channel at specified voltages.  
(4)  $\Delta r_{ON}$  is the difference of  $r_{ON}$  from center ( $A_4$ ,  $A_5$ ) ports to any other port.

## SWITCHING CHARACTERISTICS

over recommended operating free-air temperature range,  $V_{CC} = 3.3 \text{ V} \pm 0.3 \text{ V}$ ,  $R_L = 200 \Omega$ ,  $C_L = 10 \text{ pF}$  (unless otherwise noted) (see [Figure 5](#) and [Figure 6](#))

PARAMETER	FROM (INPUT)	TO (OUTPUT)	MIN	TYP <sup>(1)</sup>	MAX	UNIT
$t_{pd}$ <sup>(2)</sup>	A or B	B or A		40		ps
$t_{PZH}$ , $t_{PZL}$	SEL	A or B	0.5		15	ns
$t_{PHZ}$ , $t_{PLZ}$	SEL	A or B	0.9		9	ns
$t_{sk(o)}$ <sup>(3)</sup>	A or B	B or A		50	100	ps
$t_{sk(p)}$ <sup>(4)</sup>				50	150	ps

- (1) All typical values are at  $V_{CC} = 3.3 \text{ V}$  (unless otherwise noted),  $T_A = 25^\circ\text{C}$ .  
(2) The propagation delay is the calculated RC time constant of the typical ON-state resistance of the switch and the specified load capacitance when driven by an ideal voltage source (zero output impedance).  
(3) Output skew between center port ( $A_4$  to  $A_5$ ) to any other port  
(4) Skew between opposite transitions of the same output in a given device  $|t_{PHL} - t_{PLH}|$

## DYNAMIC CHARACTERISTICS

over recommended operating free-air temperature range,  $V_{CC} = 3.3 \text{ V} \pm 0.3 \text{ V}$  (unless otherwise noted)

PARAMETER	TEST CONDITIONS			TYP <sup>(1)</sup>	UNIT
$X_{TALK}$	$R_L = 100 \Omega$ ,	$f = 250 \text{ MHz}$ ,	See <a href="#">Figure 8</a>	-37	dB
$O_{IRR}$	$R_L = 100 \Omega$ ,	$f = 250 \text{ MHz}$ ,	See <a href="#">Figure 9</a>	-37	dB
BW	$R_L = 50 \Omega$ ,	See <a href="#">Figure 7</a>		1100	MHz

- (1) All typical values are at  $V_{CC} = 3.3 \text{ V}$  (unless otherwise noted),  $T_A = 25^\circ\text{C}$ .

OPERATING CHARACTERISTICS

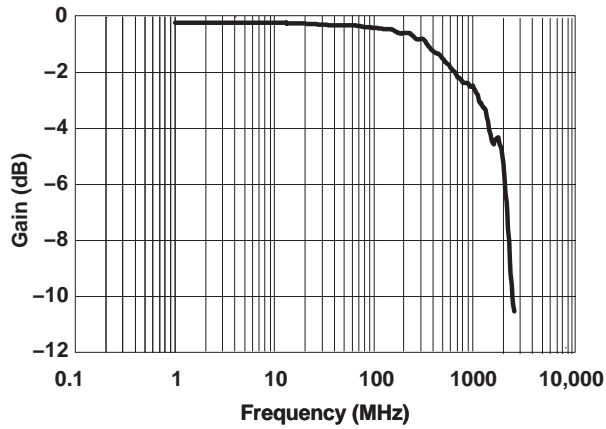


Figure 1. Gain vs Frequency

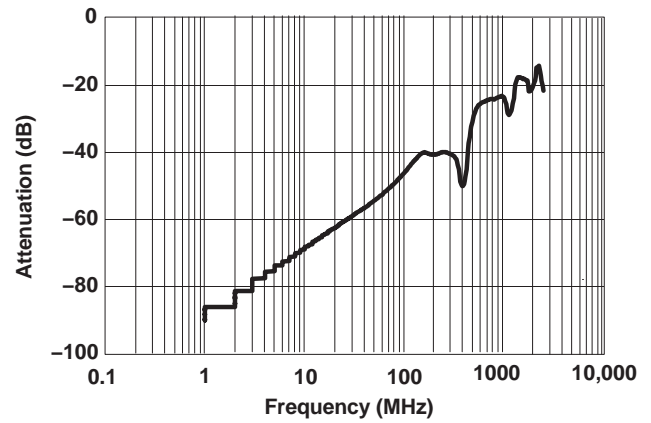


Figure 2. OFF Isolation vs Frequency

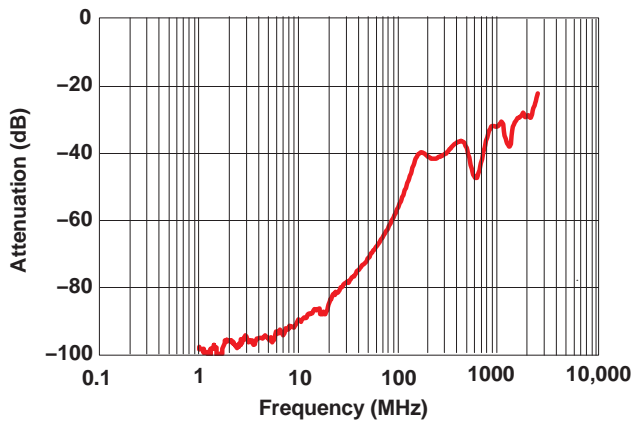


Figure 3. Crosstalk vs Frequency

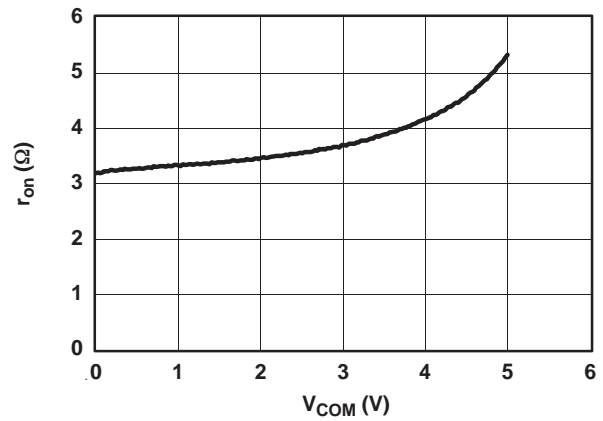
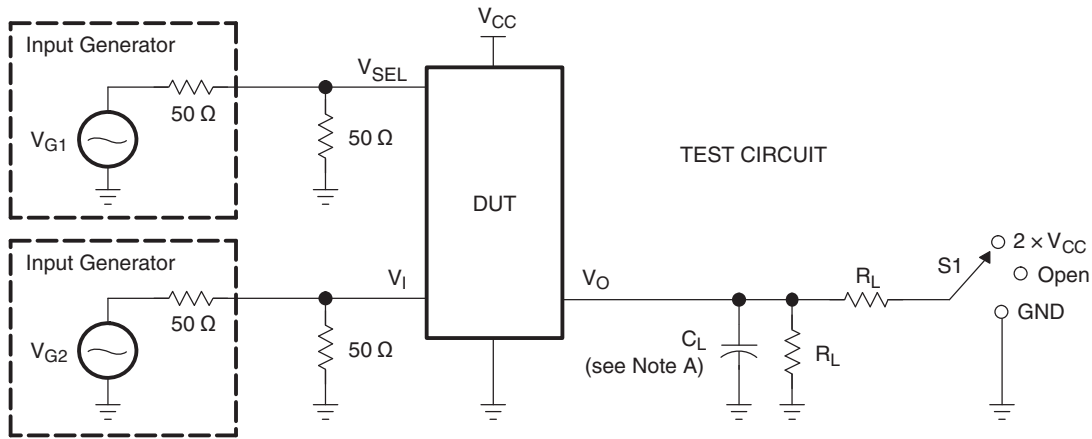
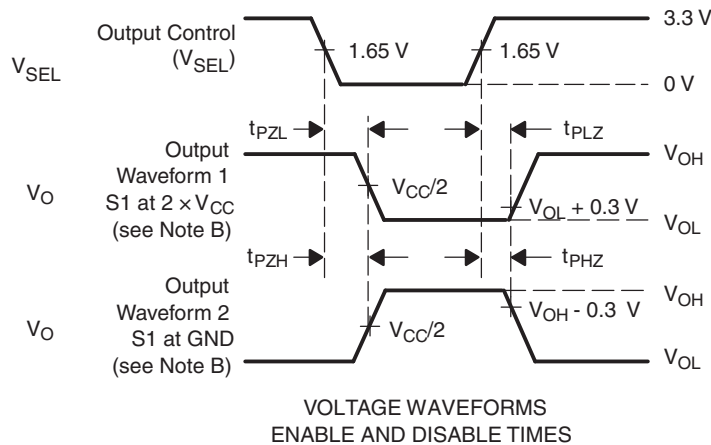


Figure 4. r<sub>ON</sub> (Ω) vs V<sub>com</sub> (V)

**PARAMETER MEASUREMENT INFORMATION  
(Enable and Disable Times)**



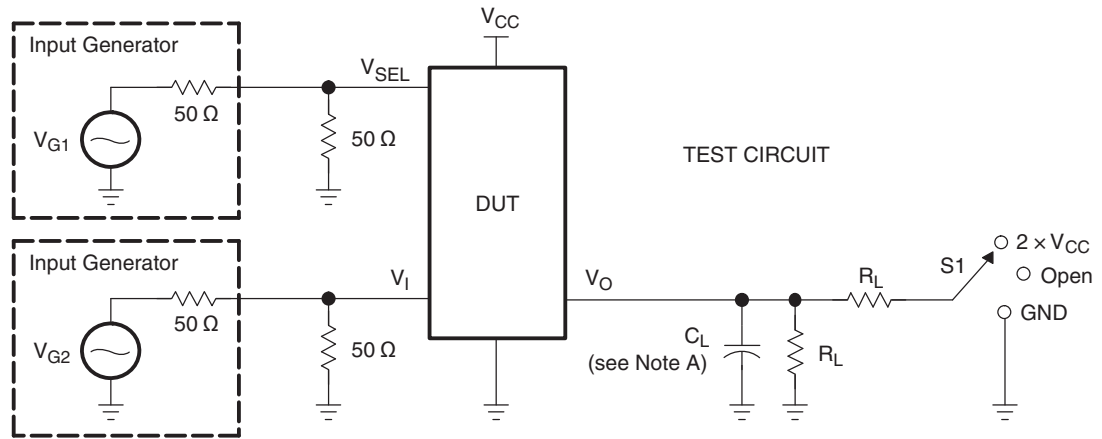
TEST	V <sub>CC</sub>	S1	R <sub>L</sub>	V <sub>I</sub>	C <sub>L</sub>	V <sub>Δ</sub>
t <sub>PLZ</sub> /t <sub>PZL</sub>	3.3 V ± 0.3 V	2 × V <sub>CC</sub>	200 Ω	GND	10 pF	0.3 V
t <sub>PHZ</sub> /t <sub>PZH</sub>	3.3 V ± 0.3 V	GND	200 Ω	V <sub>CC</sub>	10 pF	0.3 V



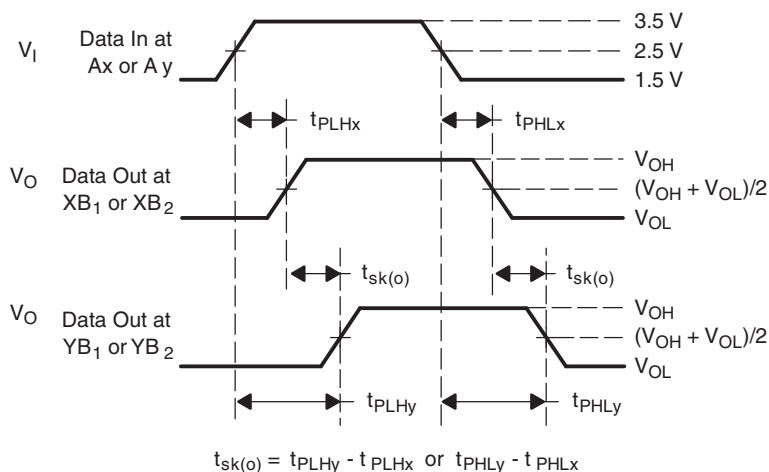
- A. C<sub>L</sub> includes probe and jig capacitance.
- B. Waveform 1 is for an output with internal conditions such that the output is low, except when disabled by the output control. Waveform 2 is for an output with internal conditions such that the output is high, except when disabled by the output control.
- C. All input pulses are supplied by generators having the following characteristics: PRR ≤ 10 MHz, Z<sub>O</sub> = 50 Ω, t<sub>r</sub> ≤ 2.5 ns, t<sub>f</sub> ≤ 2.5 ns.
- D. The outputs are measured one at a time, with one transition per measurement.
- E. t<sub>PLZ</sub> and t<sub>PHZ</sub> are the same as t<sub>dis</sub>.
- F. t<sub>PZL</sub> and t<sub>PZH</sub> are the same as t<sub>en</sub>.

**Figure 5. Test Circuit and Voltage Waveforms**

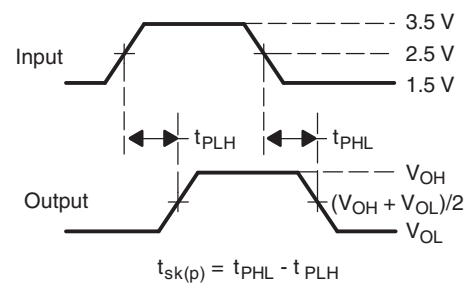
PARAMETER MEASUREMENT INFORMATION  
(Skew)



TEST	V <sub>CC</sub>	S1	R <sub>L</sub>	V <sub>in</sub>	C <sub>L</sub>
t <sub>sk(o)</sub>	3.3 V ± 0.3 V	Open	200 Ω	V <sub>CC</sub> or GND	10 pF
t <sub>sk(p)</sub>	3.3 V ± 0.3 V	Open	200 Ω	V <sub>CC</sub> or GND	10 pF



VOLTAGE WAVEFORMS  
OUTPUT SKEW (t<sub>sk(o)</sub>)

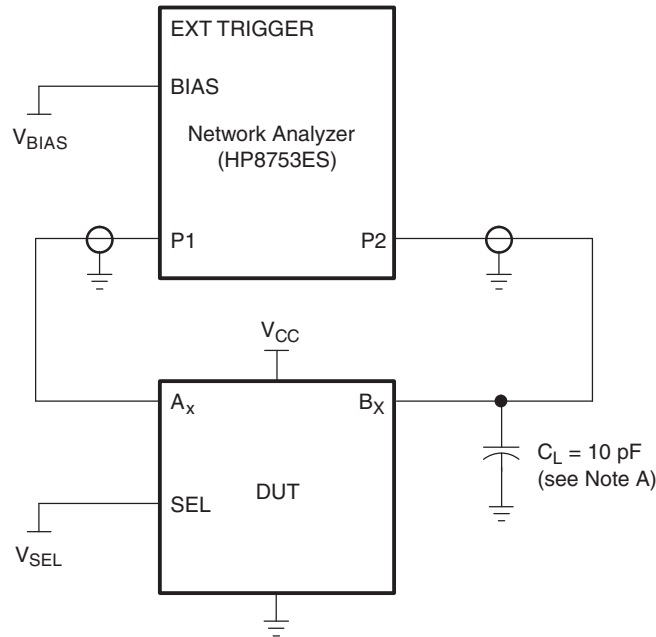


VOLTAGE WAVEFORMS  
PULSE SKEW [t<sub>sk(p)</sub>]

- A. C<sub>L</sub> includes probe and jig capacitance.
- B. Waveform 1 is for an output with internal conditions such that the output is low, except when disabled by the output control. Waveform 2 is for an output with internal conditions such that the output is high, except when disabled by the output control.
- C. All input pulses are supplied by generators having the following characteristics: PRR ≤ 10 MHz, Z<sub>O</sub> = 50 Ω, t<sub>r</sub> ≤ 2.5 ns, t<sub>f</sub> ≤ 2.5 ns.
- D. The outputs are measured one at a time, with one transition per measurement.

Figure 6. Test Circuit and Voltage Waveforms

## PARAMETER MEASUREMENT INFORMATION



A.  $C_L$  includes probe and jig capacitance.

**Figure 7. Test Circuit for Frequency Response (BW)**

Frequency response is measured at the output of the ON channel. For example, when  $V_{SEL} = 0$  and  $A_0$  is the input, the output is measured at B0. All unused analog I/O ports are left open.

### HP8753ES Setup

Average = 4  
 RBW = 3 kHz  
 $V_{BIAS} = 0.35 \text{ V}$   
 ST = 2 s  
 P1 = 0 dBm



PARAMETER MEASUREMENT INFORMATION (continued)

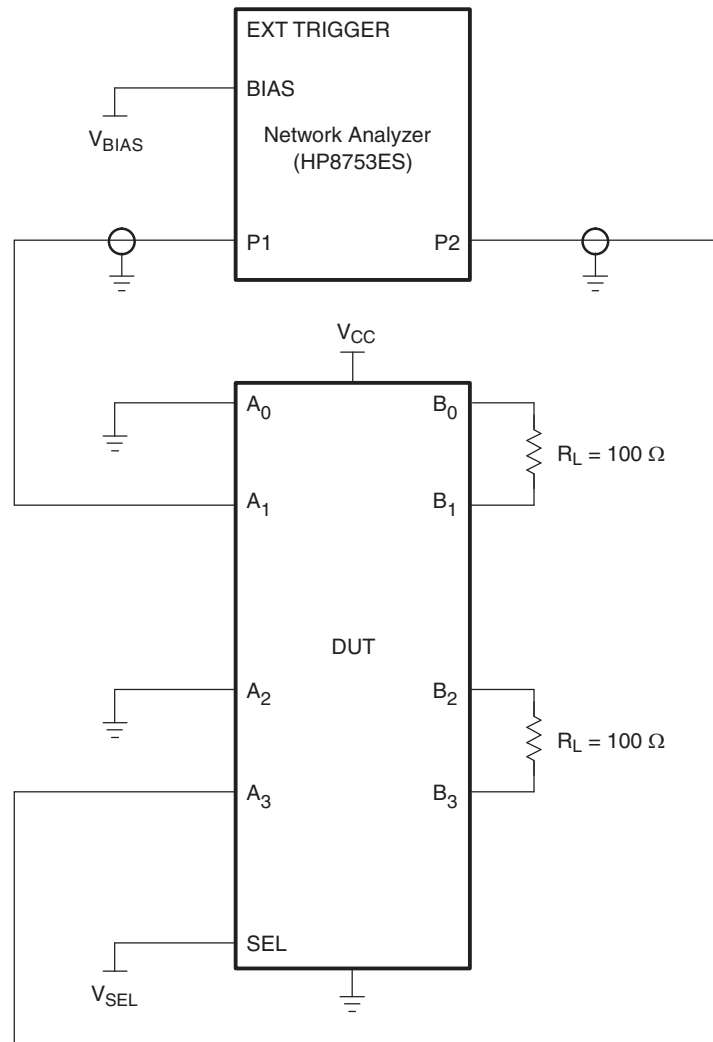


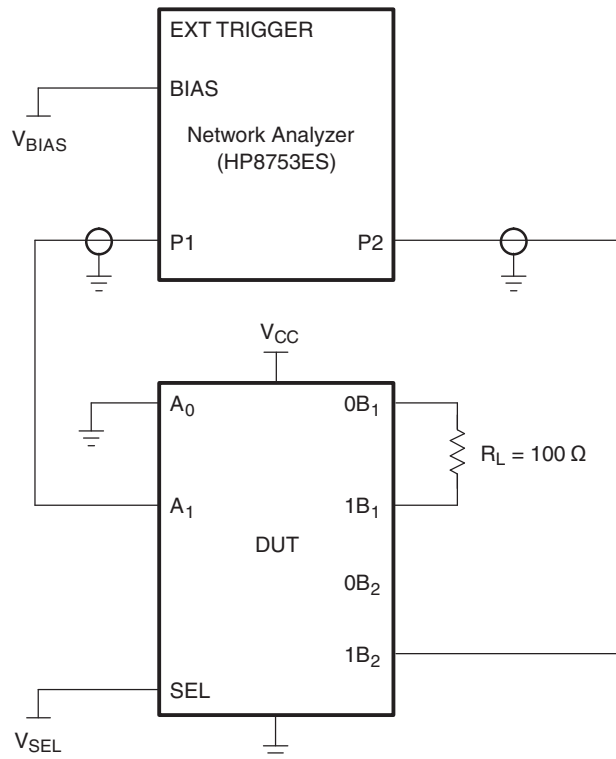
Figure 8. Test Circuit for Crosstalk ( $X_{TALK}$ )

Crosstalk is measured at the output of the nonadjacent ON channel. For example, when  $V_{SELn} = 0$  and  $A_0$  is the input, the output is measured at  $B_0$ . All unused analog input (A) ports are connected to GND, and output (B) ports are connected to GND through 50- $\Omega$  pull-down resistors.

**HP8753ES Setup**

Average = 4  
 RBW = 3 kHz  
 $V_{BIAS} = 0.35$  V  
 ST = 2 s  
 P1 = 0 dBm

## PARAMETER MEASUREMENT INFORMATION (continued)



- A.  $C_L$  includes probe and jig capacitance.
- B. A 50- $\Omega$  termination resistor is needed to match the loading of the network analyzer.

**Figure 9. Test Circuit for Off Isolation ( $O_{IRR}$ )**

OFF isolation is measured at the output of the OFF channel. For example, when  $V_{SELn} = V_{CC}$  and  $A_0$  is the input, the output is measured at  $B_0$ . All unused analog input (A) ports are left open, and output (B) ports are connected to GND through 50- $\Omega$  pulldown resistors.

### HP8753ES Setup

Average = 4  
 RBW = 3 kHz  
 $V_{BIAS} = 0.35$  V  
 ST = 2 s  
 P1 = 0 dBm

**PACKAGING INFORMATION**

Orderable Device	Status (1)	Package Type	Package Drawing	Pins	Package Qty	Eco Plan (2)	Lead/Ball Finish	MSL Peak Temp (3)	Op Temp (°C)	Device Marking (4/5)	Samples
TS2DDR2811ZX1R	ACTIVE	BGA MICROSTAR JUNIOR	ZXY	20	2500	Green (RoHS & no Sb/Br)	SNAGCU	Level-1-260C-UNLIM	-40 to 85	SJ811	Samples

(1) The marketing status values are defined as follows:

**ACTIVE:** Product device recommended for new designs.

**LIFEBUY:** TI has announced that the device will be discontinued, and a lifetime-buy period is in effect.

**NRND:** Not recommended for new designs. Device is in production to support existing customers, but TI does not recommend using this part in a new design.

**PREVIEW:** Device has been announced but is not in production. Samples may or may not be available.

**OBSOLETE:** TI has discontinued the production of the device.

(2) Eco Plan - The planned eco-friendly classification: Pb-Free (RoHS), Pb-Free (RoHS Exempt), or Green (RoHS & no Sb/Br) - please check <http://www.ti.com/productcontent> for the latest availability information and additional product content details.

**TBD:** The Pb-Free/Green conversion plan has not been defined.

**Pb-Free (RoHS):** TI's terms "Lead-Free" or "Pb-Free" mean semiconductor products that are compatible with the current RoHS requirements for all 6 substances, including the requirement that lead not exceed 0.1% by weight in homogeneous materials. Where designed to be soldered at high temperatures, TI Pb-Free products are suitable for use in specified lead-free processes.

**Pb-Free (RoHS Exempt):** This component has a RoHS exemption for either 1) lead-based flip-chip solder bumps used between the die and package, or 2) lead-based die adhesive used between the die and leadframe. The component is otherwise considered Pb-Free (RoHS compatible) as defined above.

**Green (RoHS & no Sb/Br):** TI defines "Green" to mean Pb-Free (RoHS compatible), and free of Bromine (Br) and Antimony (Sb) based flame retardants (Br or Sb do not exceed 0.1% by weight in homogeneous material)

(3) MSL, Peak Temp. -- The Moisture Sensitivity Level rating according to the JEDEC industry standard classifications, and peak solder temperature.

(4) There may be additional marking, which relates to the logo, the lot trace code information, or the environmental category on the device.

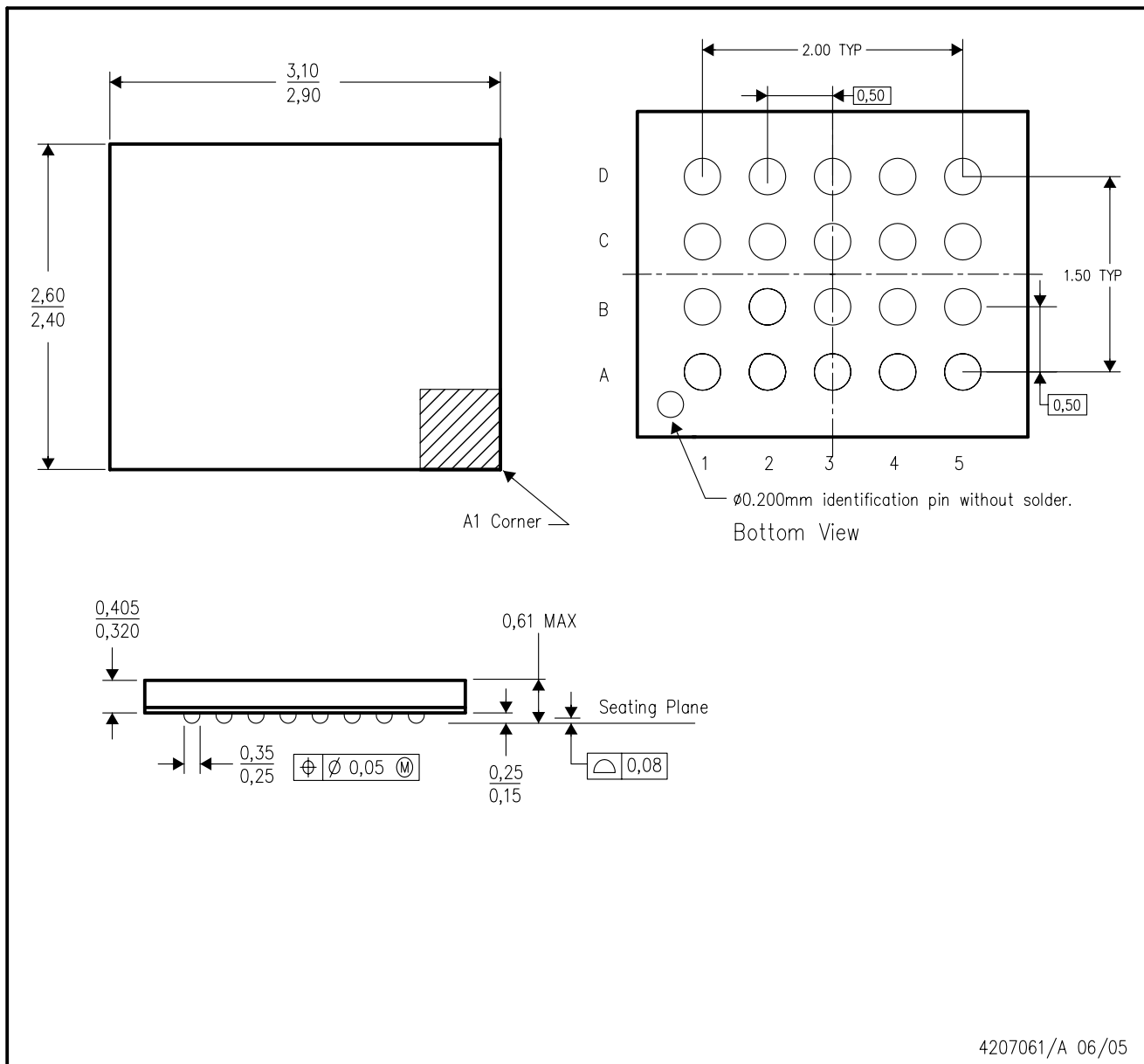
(5) Multiple Device Markings will be inside parentheses. Only one Device Marking contained in parentheses and separated by a "~" will appear on a device. If a line is indented then it is a continuation of the previous line and the two combined represent the entire Device Marking for that device.

**Important Information and Disclaimer:** The information provided on this page represents TI's knowledge and belief as of the date that it is provided. TI bases its knowledge and belief on information provided by third parties, and makes no representation or warranty as to the accuracy of such information. Efforts are underway to better integrate information from third parties. TI has taken and continues to take reasonable steps to provide representative and accurate information but may not have conducted destructive testing or chemical analysis on incoming materials and chemicals. TI and TI suppliers consider certain information to be proprietary, and thus CAS numbers and other limited information may not be available for release.

In no event shall TI's liability arising out of such information exceed the total purchase price of the TI part(s) at issue in this document sold by TI to Customer on an annual basis.

ZXY (S-PBGA-N20)

PLASTIC BALL GRID ARRAY



- NOTES:
- A. All linear dimensions are in millimeters.
  - B. This drawing is subject to change without notice.
  - C. This package is a lead-free solder ball design.

## IMPORTANT NOTICE

Texas Instruments Incorporated and its subsidiaries (TI) reserve the right to make corrections, enhancements, improvements and other changes to its semiconductor products and services per JESD46, latest issue, and to discontinue any product or service per JESD48, latest issue. Buyers should obtain the latest relevant information before placing orders and should verify that such information is current and complete. All semiconductor products (also referred to herein as "components") are sold subject to TI's terms and conditions of sale supplied at the time of order acknowledgment.

TI warrants performance of its components to the specifications applicable at the time of sale, in accordance with the warranty in TI's terms and conditions of sale of semiconductor products. Testing and other quality control techniques are used to the extent TI deems necessary to support this warranty. Except where mandated by applicable law, testing of all parameters of each component is not necessarily performed.

TI assumes no liability for applications assistance or the design of Buyers' products. Buyers are responsible for their products and applications using TI components. To minimize the risks associated with Buyers' products and applications, Buyers should provide adequate design and operating safeguards.

TI does not warrant or represent that any license, either express or implied, is granted under any patent right, copyright, mask work right, or other intellectual property right relating to any combination, machine, or process in which TI components or services are used. Information published by TI regarding third-party products or services does not constitute a license to use such products or services or a warranty or endorsement thereof. Use of such information may require a license from a third party under the patents or other intellectual property of the third party, or a license from TI under the patents or other intellectual property of TI.

Reproduction of significant portions of TI information in TI data books or data sheets is permissible only if reproduction is without alteration and is accompanied by all associated warranties, conditions, limitations, and notices. TI is not responsible or liable for such altered documentation. Information of third parties may be subject to additional restrictions.

Resale of TI components or services with statements different from or beyond the parameters stated by TI for that component or service voids all express and any implied warranties for the associated TI component or service and is an unfair and deceptive business practice. TI is not responsible or liable for any such statements.

Buyer acknowledges and agrees that it is solely responsible for compliance with all legal, regulatory and safety-related requirements concerning its products, and any use of TI components in its applications, notwithstanding any applications-related information or support that may be provided by TI. Buyer represents and agrees that it has all the necessary expertise to create and implement safeguards which anticipate dangerous consequences of failures, monitor failures and their consequences, lessen the likelihood of failures that might cause harm and take appropriate remedial actions. Buyer will fully indemnify TI and its representatives against any damages arising out of the use of any TI components in safety-critical applications.

In some cases, TI components may be promoted specifically to facilitate safety-related applications. With such components, TI's goal is to help enable customers to design and create their own end-product solutions that meet applicable functional safety standards and requirements. Nonetheless, such components are subject to these terms.

No TI components are authorized for use in FDA Class III (or similar life-critical medical equipment) unless authorized officers of the parties have executed a special agreement specifically governing such use.

Only those TI components which TI has specifically designated as military grade or "enhanced plastic" are designed and intended for use in military/aerospace applications or environments. Buyer acknowledges and agrees that any military or aerospace use of TI components which have **not** been so designated is solely at the Buyer's risk, and that Buyer is solely responsible for compliance with all legal and regulatory requirements in connection with such use.

TI has specifically designated certain components as meeting ISO/TS16949 requirements, mainly for automotive use. In any case of use of non-designated products, TI will not be responsible for any failure to meet ISO/TS16949.

### Products

Audio	<a href="http://www.ti.com/audio">www.ti.com/audio</a>
Amplifiers	<a href="http://amplifier.ti.com">amplifier.ti.com</a>
Data Converters	<a href="http://dataconverter.ti.com">dataconverter.ti.com</a>
DLP® Products	<a href="http://www.dlp.com">www.dlp.com</a>
DSP	<a href="http://dsp.ti.com">dsp.ti.com</a>
Clocks and Timers	<a href="http://www.ti.com/clocks">www.ti.com/clocks</a>
Interface	<a href="http://interface.ti.com">interface.ti.com</a>
Logic	<a href="http://logic.ti.com">logic.ti.com</a>
Power Mgmt	<a href="http://power.ti.com">power.ti.com</a>
Microcontrollers	<a href="http://microcontroller.ti.com">microcontroller.ti.com</a>
RFID	<a href="http://www.ti-rfid.com">www.ti-rfid.com</a>
OMAP Applications Processors	<a href="http://www.ti.com/omap">www.ti.com/omap</a>
Wireless Connectivity	<a href="http://www.ti.com/wirelessconnectivity">www.ti.com/wirelessconnectivity</a>

### Applications

Automotive and Transportation	<a href="http://www.ti.com/automotive">www.ti.com/automotive</a>
Communications and Telecom	<a href="http://www.ti.com/communications">www.ti.com/communications</a>
Computers and Peripherals	<a href="http://www.ti.com/computers">www.ti.com/computers</a>
Consumer Electronics	<a href="http://www.ti.com/consumer-apps">www.ti.com/consumer-apps</a>
Energy and Lighting	<a href="http://www.ti.com/energy">www.ti.com/energy</a>
Industrial	<a href="http://www.ti.com/industrial">www.ti.com/industrial</a>
Medical	<a href="http://www.ti.com/medical">www.ti.com/medical</a>
Security	<a href="http://www.ti.com/security">www.ti.com/security</a>
Space, Avionics and Defense	<a href="http://www.ti.com/space-avionics-defense">www.ti.com/space-avionics-defense</a>
Video and Imaging	<a href="http://www.ti.com/video">www.ti.com/video</a>

### TI E2E Community

[e2e.ti.com](http://e2e.ti.com)