

SN74F657

OCTAL TRANSCEIVER WITH PARITY GENERATOR/CHECKER AND 3-STATE OUTPUTS

SDFS027A – D3217, JANUARY 1989 – REVISED OCTOBER 1993

- Combines 'F245 and 'F280B Functions in One Package
- High-Impedance N-P-N Inputs for Reduced Loading (70 μ A in Low and High States)
- High Output Drive and Light Bus Loading
- 3-State B Outputs Sink 64 mA and Source 15 mA
- Input Diodes for Termination Effects
- Package Options Include Plastic Small-Outline Packages and Standard Plastic 300-mil DIPs

description

The SN74F657 contains eight noninverting buffers with 3-state outputs and an 8-bit parity generator/checker. It is intended for bus-oriented applications. The buffers have a specified current sinking capability of 24 mA at the A port and 64 mA at the B port.

The transmit/receive ($\overline{T/R}$) input determines the direction of the data flow through the bidirectional transceivers. When $\overline{T/R}$ is high, data is transmitted from the A port to the B port. When $\overline{T/R}$ is low, data is received at the A port from the B port.

When the output enable (\overline{OE}) input is high, both the A and B ports are placed in a high-impedance state (disabled). The $\overline{ODD/EVEN}$ input allows the user to select between odd or even parity systems. When transmitting from A port to B port ($\overline{T/R}$ high), PARITY is an output from the generator/checker. When receiving from B port to A port ($\overline{T/R}$ low), PARITY is an input.

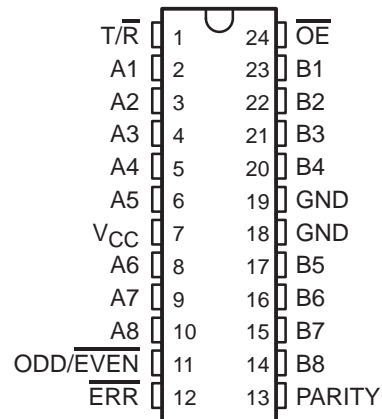
When transmitting ($\overline{T/R}$ high), the parity select ($\overline{ODD/EVEN}$) input is made high or low as appropriate. The A port is then polled to determine the number of high bits. The PARITY output goes to the logic state determined by $\overline{ODD/EVEN}$ and the number of high bits on A port. When $\overline{ODD/EVEN}$ is low (for even parity) and the number of high bits on A port is odd, the PARITY will be high, transmitting even parity. If the number of high bits on A port is even, the PARITY will be low, keeping even parity.

When in the receive mode ($\overline{T/R}$ low), the B port is polled to determine the number of high bits. If $\overline{ODD/EVEN}$ is low (for even parity) and the number of highs on B port is:

1. Odd and the PARITY input is high, then \overline{ERR} will be high signifying no error.
2. Even and the PARITY input is high, then \overline{ERR} will be low indicating an error.

The SN74F657 is characterized for operation from 0°C to 70°C.

DW OR NT PACKAGE
(TOP VIEW)



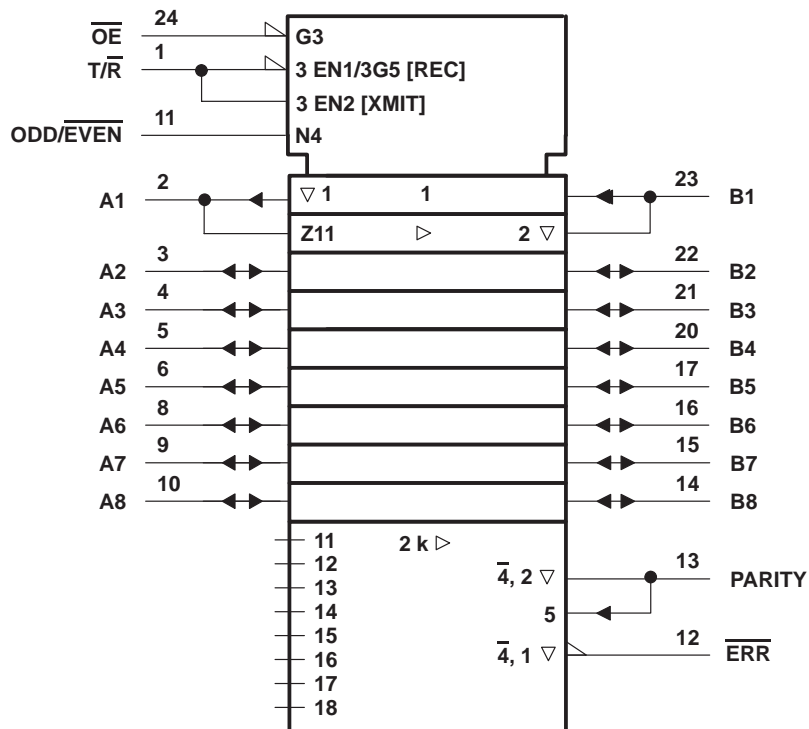
SN74F657 OCTAL TRANSCEIVER WITH PARITY GENERATOR/CHECKER AND 3-STATE OUTPUTS

SDFS027A – D3217, JANUARY 1989 – REVISED OCTOBER 1993

FUNCTION TABLE

NUMBER OF A OR B INPUTS THAT ARE HIGH	INPUTS			INPUT/OUTPUT PARITY	OUTPUTS	
	\overline{OE}	$\overline{T/R}$	ODD/ \overline{EVEN}		ERR	OUTPUT MODE
0, 2, 4, 6, 8	L	H	H	H	Z	Transmit
	L	H	L	L	Z	Transmit
	L	L	H	H	H	Receive
	L	L	H	L	L	Receive
	L	L	L	H	L	Receive
	L	L	L	L	H	Receive
1, 3, 5, 7	L	H	H	L	Z	Transmit
	L	H	L	H	Z	Transmit
	L	L	H	H	L	Receive
	L	L	H	L	H	Receive
	L	L	L	H	H	Receive
	L	L	L	L	L	Receive
Don't care	H	X	X	Z	Z	Z

logic symbol†

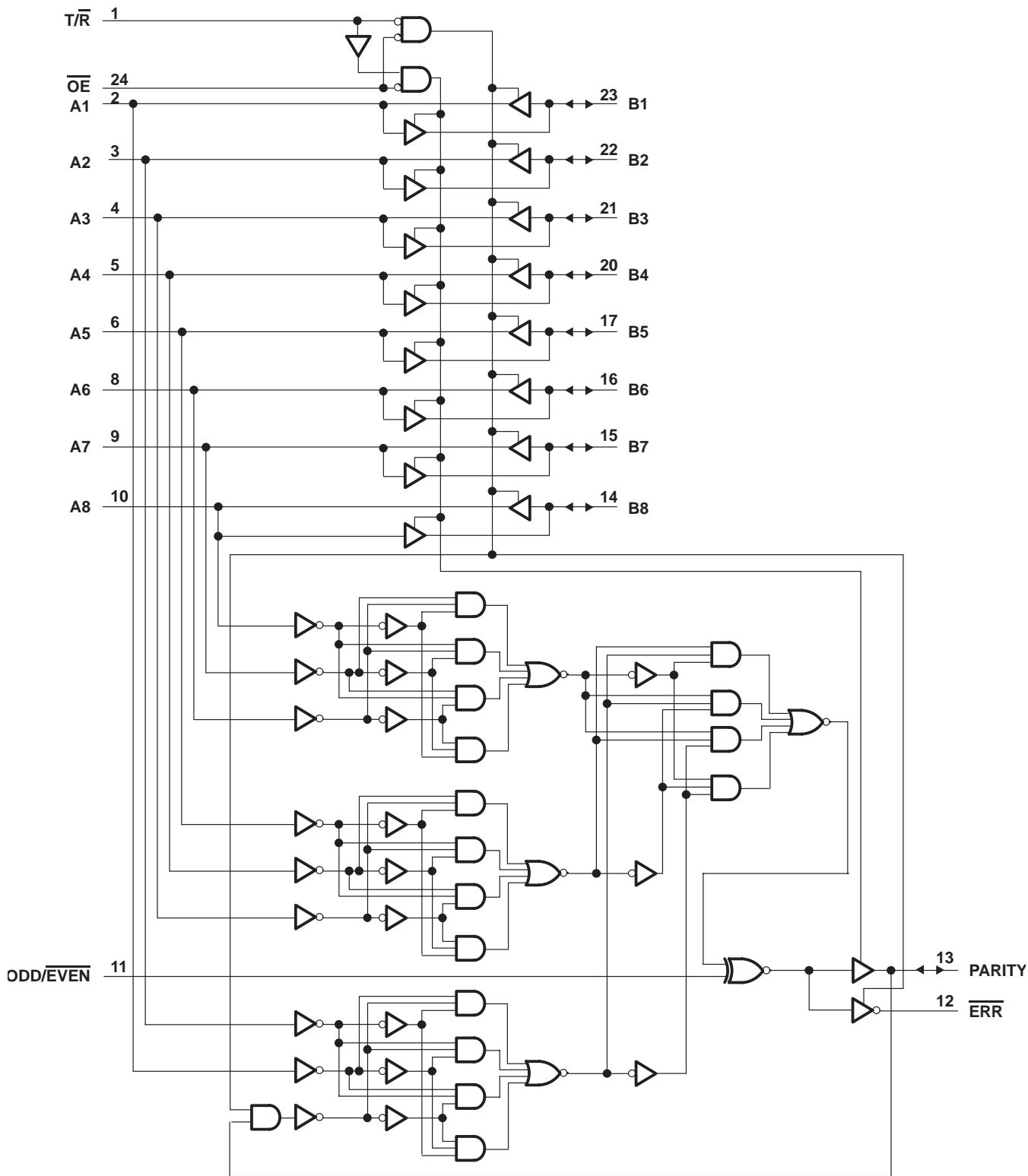


† This symbol is in accordance with ANSI/IEEE Std 91-1984 and IEC Publication 617-12.

SN74F657 OCTAL TRANSCEIVER WITH PARITY GENERATOR/CHECKER AND 3-STATE OUTPUTS

SDFS027A - D3217, JANUARY 1989 - REVISED OCTOBER 1993

logic diagram (positive logic)



SN74F657

OCTAL TRANSCEIVER WITH PARITY GENERATOR/CHECKER AND 3-STATE OUTPUTS

SDFS027A – D3217, JANUARY 1989 – REVISED OCTOBER 1993

absolute maximum ratings over operating free-air temperature range (unless otherwise noted)†

Supply voltage range, V_{CC}	–0.5 V to 7 V
Input voltage range, V_I (excluding I/O ports) (see Note 1)	–1.2 V to 7 V
Input current range	–30 mA to 5 mA
Voltage range applied to any output in the disabled or power-off state	–0.5 V to 5.5 V
Voltage range applied to any output in the high state	–0.5 V to V_{CC}
Current into any output in the low state: A1–A8	48 mA
B1–B8	128 mA
Operating free-air temperature range	0°C to 70°C
Storage temperature range	–65°C to 150°C

† Stresses beyond those listed under “absolute maximum ratings” may cause permanent damage to the device. These are stress ratings only, and functional operation of the device at these or any other conditions beyond those indicated under “recommended operating conditions” is not implied. Exposure to absolute-maximum-rated conditions for extended periods may affect device reliability.

NOTE 1: The input-voltage ratings may be exceeded provided the input-current ratings are observed.

recommended operating conditions

		MIN	NOM	MAX	UNIT
V_{CC}	Supply voltage	4.5	5	5.5	V
V_{IH}	High-level input voltage	2			V
V_{IL}	Low-level input voltage			0.8	V
I_{OH}	High-level output current	A1–A8		–3	mA
		B1–B8, PARITY, \overline{ERR}		–12	
I_{OL}	Low-level output current	A1–A8		24	mA
		B1–B8, PARITY, \overline{ERR}		64	
T_A	Operating free-air temperature	0		70	°C

SN74F657

OCTAL TRANSCEIVER WITH PARITY GENERATOR/CHECKER AND 3-STATE OUTPUTS

SDFS027A – D3217, JANUARY 1989 – REVISED OCTOBER 1993

electrical characteristics over recommended operating free-air temperature range (unless otherwise noted)

PARAMETER		TEST CONDITIONS		MIN	TYP†	MAX	UNIT
V _{IK}		V _{CC} = 4.5 V,	I _I = -18 mA			-1.2	V
V _{OH}	Any output	V _{CC} = 4.5 V,	I _{OH} = -3 mA	2.4	3.3		V
	B1–B8, PARITY, $\overline{\text{ERR}}$	V _{CC} = 4.5 V,	I _{OH} = -15 mA	2	3.1		
	Any output	V _{CC} = 4.75 V,	I _{OH} = -1 mA to -3 mA	2.7			
V _{OL}	A1–A8	V _{CC} = 4.5 V	I _{OL} = 24 mA		0.35	0.5	V
	B1–B8, PARITY, $\overline{\text{ERR}}$		I _{OL} = 64 mA		0.42	0.55	
I _I	$\overline{\text{T/R}}$	V _{CC} = 0,	V _I = 7 V, $\overline{\text{OE}} = 4.5 \text{ V}$			0.1	mA
	$\overline{\text{OE}}$	V _{CC} = 0,	V _I = 7 V, $\overline{\text{T/R}} = 4.5 \text{ V}$			0.1	
	$\overline{\text{ODD/EVEN}}$	V _{CC} = 0,	V _I = 7 V			0.1	
	A1–A8	V _{CC} = 5.5 V,	V _I = 7 V			2	
	B1–B8					1	
I _{IH} ‡	A, B, PARITY	V _{CC} = 5.5 V,	V _I = 2.7 V			70	μA
	$\overline{\text{T/R}}, \overline{\text{OE}}$					40	
	$\overline{\text{ODD/EVEN}}$					20	
I _{IL} ‡	A, B, PARITY	V _{CC} = 5.5 V,	V _I = 0.5 V			-70	μA
	$\overline{\text{T/R}}, \overline{\text{OE}}$					-40	
	$\overline{\text{ODD/EVEN}}$					-20	
I _{OS} §	A1–A8	V _{CC} = 5.5 V,	V _O = 0	-60		-150	mA
	B1–B8			-100		-225	
I _{OZH}	$\overline{\text{ERR}}$	V _{CC} = 5.5 V,	V _I = 2.7 V			50	μA
I _{OZL}	$\overline{\text{ERR}}$	V _{CC} = 5.5 V,	V _I = 0.5 V			-50	μA
I _{CCH}		V _{CC} = 5.5 V			90	125	mA
I _{CCL}		V _{CC} = 5.5 V			106	150	mA
I _{CCZ}		V _{CC} = 5.5 V			98	145	mA

† All typical values are at V_{CC} = 5 V, T_A = 25°C.

‡ For I/O ports, the parameters I_{IH} and I_{IL} include the off-state output current.

§ Not more than one output should be shorted at a time, and the duration of the short circuit should not exceed one second.

SN74F657 OCTAL TRANSCEIVER WITH PARITY GENERATOR/CHECKER AND 3-STATE OUTPUTS

SDFS027A – D3217, JANUARY 1989 – REVISED OCTOBER 1993

switching characteristics (see Note 2)

PARAMETER	FROM (INPUT)	TO (OUTPUT)	V _{CC} = 5 V, C _L = 50 pF, R1 = 500 Ω, R2 = 500 Ω, T _A = 25°C			V _{CC} = 4.5 V to 5.5 V, C _L = 50 pF, R1 = 500 Ω, R2 = 500 Ω, T _A = MIN to MAX†		UNIT
			MIN	TYP	MAX	MIN	MAX	
t _{PLH}	A or B	B or A	2.5	4.2	7.5	2.5	8	ns
t _{PHL}			3	4	7.5	3	8	
t _{PLH}	A	PARITY	6	8.4	14	6	16	ns
t _{PHL}			6.8	8.5	15	6.8	16	
t _{PLH}	ODD/EVEN	PARITY, $\overline{\text{ERR}}$	4	6.4	11	4	12	ns
t _{PHL}			4.5	6.9	11.5	4.5	12.5	
t _{PLH}	B	$\overline{\text{ERR}}$	8	12.7	20.5	7.5	22.5	ns
t _{PHL}			8	13.4	20.5	7.5	22.5	
t _{PLH}	PARITY	$\overline{\text{ERR}}$	6	8.1	15.5	6	16.5	ns
t _{PHL}			7.5	8.8	15.5	7.5	17	
t _{PZH}	$\overline{\text{OE}}$	A, B, PARITY, or $\overline{\text{ERR}}$ ‡	3	5.3	8	3	9	ns
t _{PZL}			4	5.4	9.5	4	11	
t _{PHZ}	$\overline{\text{OE}}$	A, B, PARITY, or $\overline{\text{ERR}}$ ‡	2	4.2	7.5	2	8	ns
t _{PLZ}			2	3.7	6	2	6.5	

† For conditions shown as MIN or MAX, use the appropriate value specified under recommended operating conditions.

‡ These delay times reflect the 3-state recovery time only and not the signal through the buffers or parity check circuitry. To assure valid information at the $\overline{\text{ERR}}$ output pin, time must be allowed for the signal to propagate through the drivers (B to A), and to the $\overline{\text{ERR}}$ output. Valid data at the $\overline{\text{ERR}}$ output is greater than or equal to (B to A) + (A to PARITY).

NOTE 2: Load circuits and waveforms are shown in Section 1.

PACKAGING INFORMATION

Orderable Device	Status (1)	Package Type	Package Drawing	Pins	Package Qty	Eco Plan (2)	Lead/Ball Finish	MSL Peak Temp (3)	Op Temp (°C)	Top-Side Markings (4)	Samples
SN74F657DW	ACTIVE	SOIC	DW	24	25	Green (RoHS & no Sb/Br)	CU NIPDAU	Level-1-260C-UNLIM	0 to 70	F657	Samples
SN74F657DWE4	ACTIVE	SOIC	DW	24	25	Green (RoHS & no Sb/Br)	CU NIPDAU	Level-1-260C-UNLIM	0 to 70	F657	Samples
SN74F657DWG4	ACTIVE	SOIC	DW	24	25	Green (RoHS & no Sb/Br)	CU NIPDAU	Level-1-260C-UNLIM	0 to 70	F657	Samples
SN74F657NT	OBSOLETE	PDIP	NT	24		TBD	Call TI	Call TI	0 to 70	SN74F657NT	
SN74F657NTE4	OBSOLETE	PDIP	NT	24		TBD	Call TI	Call TI	0 to 70		

(1) The marketing status values are defined as follows:

ACTIVE: Product device recommended for new designs.

LIFEBUY: TI has announced that the device will be discontinued, and a lifetime-buy period is in effect.

NRND: Not recommended for new designs. Device is in production to support existing customers, but TI does not recommend using this part in a new design.

PREVIEW: Device has been announced but is not in production. Samples may or may not be available.

OBSOLETE: TI has discontinued the production of the device.

(2) Eco Plan - The planned eco-friendly classification: Pb-Free (RoHS), Pb-Free (RoHS Exempt), or Green (RoHS & no Sb/Br) - please check <http://www.ti.com/productcontent> for the latest availability information and additional product content details.

TBD: The Pb-Free/Green conversion plan has not been defined.

Pb-Free (RoHS): TI's terms "Lead-Free" or "Pb-Free" mean semiconductor products that are compatible with the current RoHS requirements for all 6 substances, including the requirement that lead not exceed 0.1% by weight in homogeneous materials. Where designed to be soldered at high temperatures, TI Pb-Free products are suitable for use in specified lead-free processes.

Pb-Free (RoHS Exempt): This component has a RoHS exemption for either 1) lead-based flip-chip solder bumps used between the die and package, or 2) lead-based die adhesive used between the die and leadframe. The component is otherwise considered Pb-Free (RoHS compatible) as defined above.

Green (RoHS & no Sb/Br): TI defines "Green" to mean Pb-Free (RoHS compatible), and free of Bromine (Br) and Antimony (Sb) based flame retardants (Br or Sb do not exceed 0.1% by weight in homogeneous material)

(3) MSL, Peak Temp. -- The Moisture Sensitivity Level rating according to the JEDEC industry standard classifications, and peak solder temperature.

(4) Only one of markings shown within the brackets will appear on the physical device.

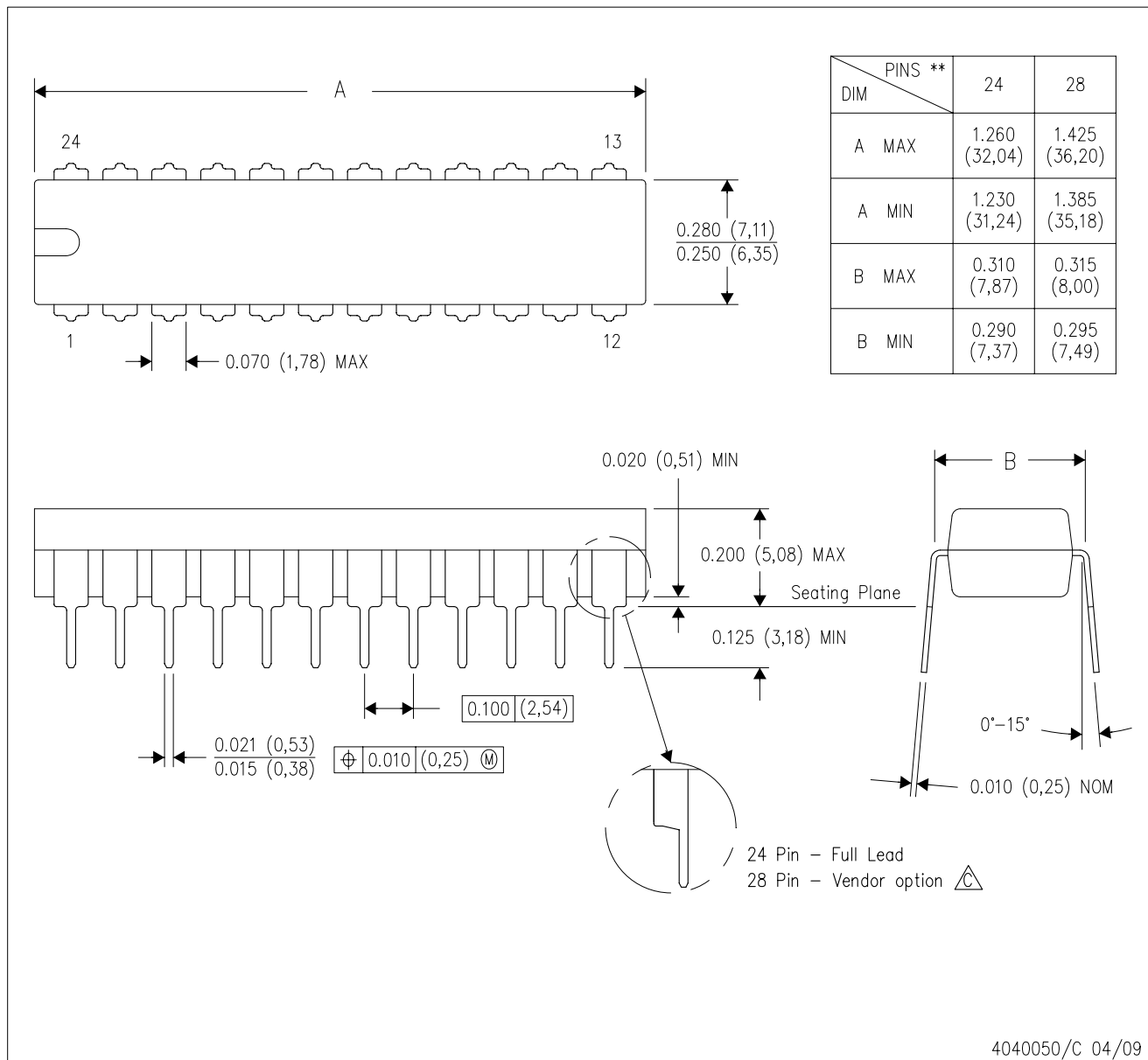
Important Information and Disclaimer: The information provided on this page represents TI's knowledge and belief as of the date that it is provided. TI bases its knowledge and belief on information provided by third parties, and makes no representation or warranty as to the accuracy of such information. Efforts are underway to better integrate information from third parties. TI has taken and continues to take reasonable steps to provide representative and accurate information but may not have conducted destructive testing or chemical analysis on incoming materials and chemicals. TI and TI suppliers consider certain information to be proprietary, and thus CAS numbers and other limited information may not be available for release.

In no event shall TI's liability arising out of such information exceed the total purchase price of the TI part(s) at issue in this document sold by TI to Customer on an annual basis.


MECHANICAL DATA

NT (R-PDIP-T**) 24 PINS SHOWN

PLASTIC DUAL-IN-LINE PACKAGE

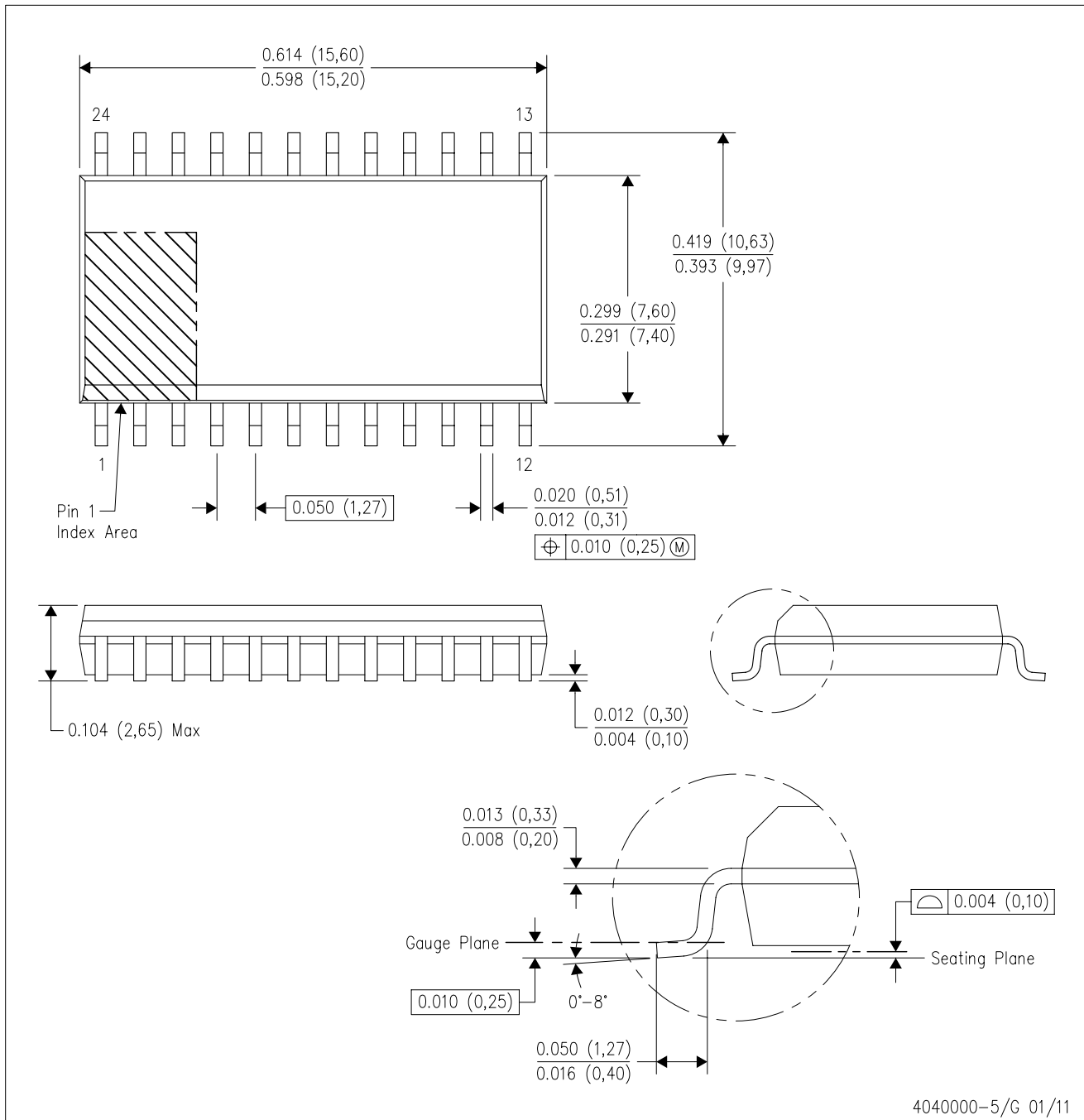


4040050/C 04/09

- NOTES:
- A. All linear dimensions are in millimeters. Dimensioning and tolerancing per ASME Y14.5M-1994.
 - B. This drawing is subject to change without notice.
 -  The 28 pin end lead shoulder width is a vendor option, either half or full width.

DW (R-PDSO-G24)

PLASTIC SMALL OUTLINE



- NOTES:
- A. All linear dimensions are in inches (millimeters). Dimensioning and tolerancing per ASME Y14.5M-1994.
 - B. This drawing is subject to change without notice.
 - C. Body dimensions do not include mold flash or protrusion not to exceed 0.006 (0,15).
 - D. Falls within JEDEC MS-013 variation AD.

IMPORTANT NOTICE

Texas Instruments Incorporated and its subsidiaries (TI) reserve the right to make corrections, enhancements, improvements and other changes to its semiconductor products and services per JESD46, latest issue, and to discontinue any product or service per JESD48, latest issue. Buyers should obtain the latest relevant information before placing orders and should verify that such information is current and complete. All semiconductor products (also referred to herein as "components") are sold subject to TI's terms and conditions of sale supplied at the time of order acknowledgment.

TI warrants performance of its components to the specifications applicable at the time of sale, in accordance with the warranty in TI's terms and conditions of sale of semiconductor products. Testing and other quality control techniques are used to the extent TI deems necessary to support this warranty. Except where mandated by applicable law, testing of all parameters of each component is not necessarily performed.

TI assumes no liability for applications assistance or the design of Buyers' products. Buyers are responsible for their products and applications using TI components. To minimize the risks associated with Buyers' products and applications, Buyers should provide adequate design and operating safeguards.

TI does not warrant or represent that any license, either express or implied, is granted under any patent right, copyright, mask work right, or other intellectual property right relating to any combination, machine, or process in which TI components or services are used. Information published by TI regarding third-party products or services does not constitute a license to use such products or services or a warranty or endorsement thereof. Use of such information may require a license from a third party under the patents or other intellectual property of the third party, or a license from TI under the patents or other intellectual property of TI.

Reproduction of significant portions of TI information in TI data books or data sheets is permissible only if reproduction is without alteration and is accompanied by all associated warranties, conditions, limitations, and notices. TI is not responsible or liable for such altered documentation. Information of third parties may be subject to additional restrictions.

Resale of TI components or services with statements different from or beyond the parameters stated by TI for that component or service voids all express and any implied warranties for the associated TI component or service and is an unfair and deceptive business practice. TI is not responsible or liable for any such statements.

Buyer acknowledges and agrees that it is solely responsible for compliance with all legal, regulatory and safety-related requirements concerning its products, and any use of TI components in its applications, notwithstanding any applications-related information or support that may be provided by TI. Buyer represents and agrees that it has all the necessary expertise to create and implement safeguards which anticipate dangerous consequences of failures, monitor failures and their consequences, lessen the likelihood of failures that might cause harm and take appropriate remedial actions. Buyer will fully indemnify TI and its representatives against any damages arising out of the use of any TI components in safety-critical applications.

In some cases, TI components may be promoted specifically to facilitate safety-related applications. With such components, TI's goal is to help enable customers to design and create their own end-product solutions that meet applicable functional safety standards and requirements. Nonetheless, such components are subject to these terms.

No TI components are authorized for use in FDA Class III (or similar life-critical medical equipment) unless authorized officers of the parties have executed a special agreement specifically governing such use.

Only those TI components which TI has specifically designated as military grade or "enhanced plastic" are designed and intended for use in military/aerospace applications or environments. Buyer acknowledges and agrees that any military or aerospace use of TI components which have **not** been so designated is solely at the Buyer's risk, and that Buyer is solely responsible for compliance with all legal and regulatory requirements in connection with such use.

TI has specifically designated certain components as meeting ISO/TS16949 requirements, mainly for automotive use. In any case of use of non-designated products, TI will not be responsible for any failure to meet ISO/TS16949.

Products

Audio	www.ti.com/audio
Amplifiers	amplifier.ti.com
Data Converters	dataconverter.ti.com
DLP® Products	www.dlp.com
DSP	dsp.ti.com
Clocks and Timers	www.ti.com/clocks
Interface	interface.ti.com
Logic	logic.ti.com
Power Mgmt	power.ti.com
Microcontrollers	microcontroller.ti.com
RFID	www.ti-rfid.com
OMAP Applications Processors	www.ti.com/omap
Wireless Connectivity	www.ti.com/wirelessconnectivity

Applications

Automotive and Transportation	www.ti.com/automotive
Communications and Telecom	www.ti.com/communications
Computers and Peripherals	www.ti.com/computers
Consumer Electronics	www.ti.com/consumer-apps
Energy and Lighting	www.ti.com/energy
Industrial	www.ti.com/industrial
Medical	www.ti.com/medical
Security	www.ti.com/security
Space, Avionics and Defense	www.ti.com/space-avionics-defense
Video and Imaging	www.ti.com/video

TI E2E Community

e2e.ti.com