

SN54LS671, SN54LS672, SN74LS671, SN74LS672 4-BIT UNIVERSAL SHIFT REGISTERS/LATCHES WITH 3-STATE OUTPUTS

SDLS194

D2638, JANUARY 1981 — REVISED MARCH 1988

- 4-Bit Universal Shift Registers/Latches
- Multiplexed Outputs for Shift Register or Latched Data
- Choice of Direct SR Clear ('LS671) or Synchronous SR Clear ('LS672)
- 3-State Outputs Drive Bus Lines Directly
- Expandable to Any Word Length

description

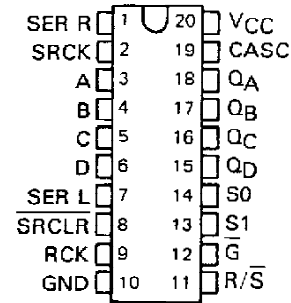
The 'LS671 and 'LS672 each contain a 4-bit universal shift register (similar to the 'LS194A) and a 4-bit storage register (similar to the 'LS175) multiplexed to a 3-state output stage (similar to the 'LS258). The user has the option of selecting the shift or storage register via the register/shift select input R/ \bar{S} . The 'LS671 has a direct-overriding shift register clear while the 'LS672 features a synchronous shift register clear. The shift register has four distinct modes of operation, namely:

- Inhibit clock (do nothing)
- Shift right (in the direction Q_A toward Q_D)
- Shift left (in the direction Q_D toward Q_A)
- Parallel (broadside) load

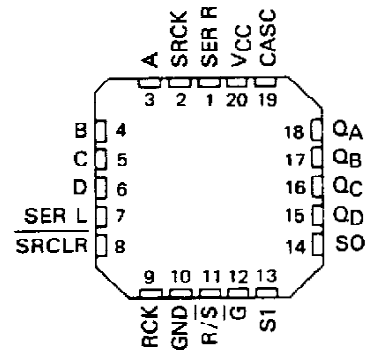
A cascade output for the shift register is provided so that full shift register functionality is provided even while the outputs are in the high-impedance mode. The cascade output presents Q_A data in the shift-left mode, Q_D data in the shift-right mode.

Both the shift register clock and the latch clock are triggered on the positive transition. The output control (\bar{G}) activates Q_A thru Q_D when low, it places Q_A thru Q_D into the high-impedance state when high.

SN54LS671, SN54LS672 . . . J PACKAGE
SN74LS671, SN74LS672 . . . DW OR N PACKAGE
(TOP VIEW)



SN54LS671, SN54LS672 . . . FK PACKAGE
(TOP VIEW)



PRODUCTION DATA documents contain information current as of publication date. Products conform to specifications per the terms of Texas Instruments standard warranty. Production processing does not necessarily include testing of all parameters.

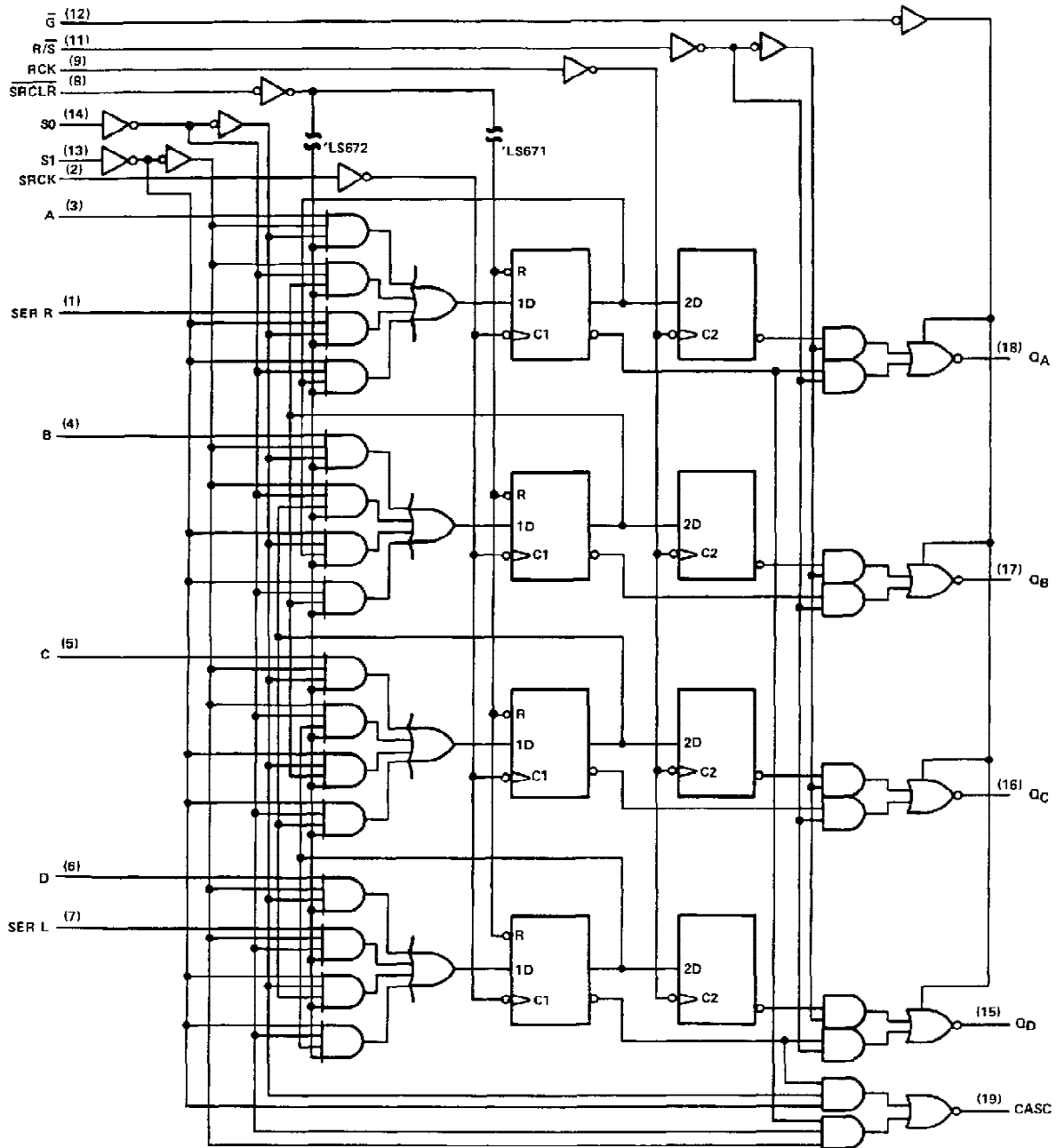
TEXAS
INSTRUMENTS

POST OFFICE BOX 655012 • DALLAS, TEXAS 75205

SN54LS671, SN54LS672, SN74LS671, SN74LS672

4-BIT UNIVERSAL SHIFT REGISTER/LATCHES WITH 3-STATE OUTPUTS

logic diagram (positive logic)



Pin numbers shown are for DW, J and N packages.

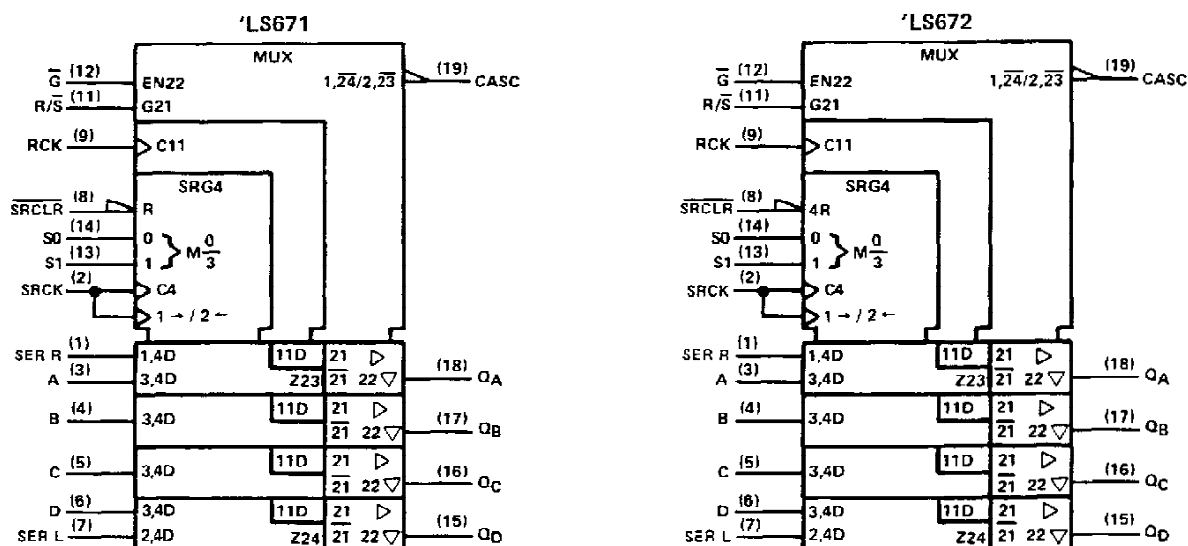
TEXAS
INSTRUMENTS

POST OFFICE BOX 655012 • DALLAS, TEXAS 75265

SN54LS671, SN54LS672, SN74LS671, SN74LS672

4-BIT UNIVERSAL SHIFT REGISTERS/LATCHES WITH 3-STATE OUTPUTS

logic symbols †



†These symbols are in accordance with ANSI/IEEE Std. 91-1984 and IEC Publication 617-12. Pin numbers shown are for DW, J, and N packages.

FUNCTION TABLE

G	R/S	SRCLR	SR MODE		SRCK		SERIAL INPUTS		PARALLEL INPUTS				PARALLEL OUTPUTS				CASC†
			S1	S0	'LS671	'LS672	SL	SR	A	B	C	D	QA	QB	QC	QD	
L	L	L	X	X	X	†	X	X	X	X	X	X	L	L	L	L	(‡)
L	L	H	X	X	L	L	X	X	X	X	X	X	QA0	QB0	QC0	QD0	(‡)
L	L	H	L	L	X	X	X	X	X	X	X	X	QA0	QB0	QC0	QD0	H
L	L	H	L	H	†	†	X	H	X	X	X	X	H	QAn	QBn	QCn	QAn
L	L	H	L	H	†	†	X	L	X	X	X	X	L	QAn	QBn	QCn	QAn
L	L	H	H	L	†	†	H	X	X	X	X	X	QBn	QCn	QDn	H	QBn
L	L	H	H	L	†	†	L	X	X	X	X	X	QBn	QCn	QDn	L	QBn
L	L	H	H	H	†	†	X	X	a	b	c	d	a	b	c	d	H
H	X	X	L	H	†	†	X	X	X	X	X	X	Z	Z	Z	Z	QCn
H	X	X	H	L	†	†	X	X	X	X	X	X	Z	Z	Z	Z	QBn
L	H	X	X	X	X	X	X	X	X	X	X	X	Internal register contents				(‡)

When the output control \bar{G} is high, the 3-state outputs are disabled to the high-impedance state; however, sequential operation of the shift register and the output at CASC are not affected.

H = high level (steady state)

L = low level (steady state)

X = irrelevant (any input, including transitions)

† = transition from low to high level

a, b, c, d = the level of steady-state input at A, B, C, or D, respectively

QA0, QB0, QC0, QD0 = the level of QA, QB, QC, or QD, respectively, before the indicated steady-state input conditions were established

QAn, QBn, QCn = the level of QA, QB, or QC, respectively, before the most-recent transition of the clock

Z = high-impedance state

‡ The cascade output displays the D bit of the shift register in mode 1 (S1, S0 = L, H), the A bit in mode 2 (S1, S0 = HL), and is inactive (H) in modes 0 and 3 (S1, S0 = LL and HH).

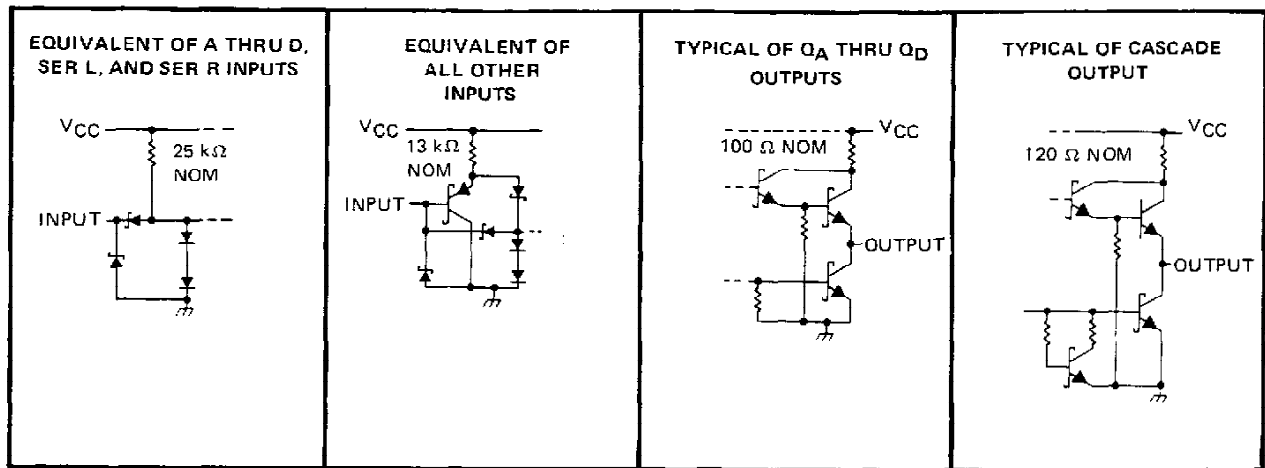

**TEXAS
INSTRUMENTS**

POST OFFICE BOX 655012 • DALLAS, TEXAS 75265

SN54LS671, SN54LS672, SN74LS671, SN74LS672

4-BIT UNIVERSAL SHIFT REGISTERS/LATCHES WITH 3-STATE OUTPUTS

schematics of inputs and outputs



absolute maximum ratings over operating free-air temperature range (unless otherwise noted)

Supply voltage V_{CC} (see Note 1)	7 V
Input voltage	7 V
Off-state output voltage	5.5 V
Operating free-air temperature range: SN54LS671, SN54LS672	-55°C to 125°C
SN74LS671, SN74LS672	0°C to 70°C
Storage temperature range	-65°C to 150°C

NOTE 1: Voltage values are with respect to the network ground terminal.

recommended operating conditions

		SN54LS ¹			SN74LS ¹			UNIT
		MIN	NOM	MAX	MIN	NOM	MAX	
V_{CC}	Supply voltage	4.5	5	5.5	4.75	5	5.25	V
I_{OH}	High-level output current	Cascade out		-0.4	-0.4		mA	
		Q_A, Q_B, Q_C, Q_D		-1	-2.6			
I_{OL}	Low-level output current	Cascade out		4	8		mA	
		Q_A, Q_B, Q_C, Q_D		12	24			
t_w	Width of SRCK, RCK, or SRCLR (¹ LS671 only) input pulse	30			30			ns
t_{su}	Inactive state setup time	SRCLR before SRCK \uparrow (¹ LS671 only)			30			ns
t_{su}	Setup time	S0 or S1 to SRCK \uparrow		45			ns	
		SRCLR \downarrow (¹ LS672 only) to SRCK \uparrow		25				
		A, B, C, D to SRCK \uparrow		30				
		SRCK \uparrow to RCK \downarrow		30				
		SER to SRCK \uparrow		35				
t_h	Hold time	Any input from SRCK \uparrow			0			ns
T_A	Operating free-air temperature	-65			125			$^{\circ}\text{C}$

TEXAS
INSTRUMENTS

POST OFFICE BOX 855012 • DALLAS, TEXAS 75285

SN54LS671, SN54LS672, SN74LS671, SN74LS672 4-BIT UNIVERSAL SHIFT REGISTERS/LATCHES WITH 3-STATE OUTPUTS

electrical characteristics over recommended operating free-air temperature range (unless otherwise noted)

PARAMETER		TEST CONDITIONS†		SN54LS'			SN74LS'			UNIT
				MIN	TYP‡	MAX	MIN	TYP‡	MAX	
V _{IH}	High-level input voltage			2			2			V
V _{IL}	Low-level input voltage			0.7			0.8			V
V _{IK}	Input clamp voltage	V _{CC} = MIN, I _I = -18 mA		-1.5			-1.5			V
V _{OH}	High-level output voltage	Q _A - Q _D	V _{CC} = MIN, V _{IH} = 2 V, V _{IL} = V _{IL max}	I _{OH} = -1 mA	2.4 3.1					V
		Q _A - Q _D		I _{OH} = -2.6 mA			2.4 3.1			
		CASC		I _{OH} = -400 μA	2.5 3.2		2.7 3.2			
V _{OL}	Low-level output voltage	Q _A - Q _D	V _{CC} = MIN, V _{IH} = 2 V	I _{OL} = 12 mA	0.25 0.4		0.25 0.4		V	
		Q _A - Q _D		I _{OL} = 24 mA			0.35 0.5			
		CASC		I _{OL} = 4 mA	0.25 0.4		0.25 0.4			
		CASC		I _{OL} = 8 mA			0.35 0.5			
I _{OZH}	Off-state output current, high-level voltage applied	Q _A - Q _D	V _{CC} = MAX, V _{IH} = 2 V, V _O = 2.7 V, V _{IL} = V _{IL max}			20		20		μA
I _{OZL}	Off-state output current, low-level voltage applied	Q _A - Q _D	V _{CC} = MAX, V _{IH} = 2 V, V _O = 0.4 V, V _{IL} = V _{IL max}			-20		-20		μA
I _I	Input current at maximum input voltage	V _{CC} = MAX, V _I = 7 V				0.1		0.1		mA
I _{IH}	High-level input current	V _{CC} = MAX, V _I = 2.7 V				20		20		μA
I _{IL}	Low-level input current	A, B, C, D	V _{CC} = MAX, V _I = 0.4 V			-0.4		-0.4		mA
		All others				-0.2		-0.2		
I _{OS}	Short-circuit output current §	Q _A - Q _D	V _{CC} = MAX, V _O = 0 V			-30		-130		mA
		CASC				-20		-100		
I _{CC}	Supply current	All outputs low	V _{CC} = MAX,	See Note 2		35 70		35 70		mA
		All outputs high	All outputs	See Note 3		30 65		30 65		
		Q _A thru Q _D , at Hi-Z	open	See Note 4		37 70		37 70		

† For conditions shown as MIN or MAX, use the appropriate value specified under recommended operating conditions.

‡ All typical values are at V_{CC} = 5 V, T_A = 25°C.

§ Not more than one output should be shorted at a time and duration of the short-circuit should not exceed one second.

NOTES: 2. I_{CC1} is tested after two 0-V to 4.5 V to 0-V pulses have been applied to SRCK and RCK while S0 is at 4.5 V and all other inputs are grounded.

3. I_{CC2} is tested after two 4.5-V to 0-V to 4.5 V pulses have been applied to SRCK and RCK while all other inputs are at 4.5 V.

4. I_{CC3} is tested after two 0-V to 4.5-V to 0-V pulses have been applied to SRCK and RCK while S0 and \bar{G} are at 4.5 V and all other inputs are grounded.

SN54LS671, SN54LS672, SN74LS671, SN74LS672

4-BIT UNIVERSAL SHIFT REGISTERS/LATCHES WITH 3-STATE OUTPUTS

switching characteristics, $V_{CC} = 5\text{ V}$, $T_A = 25^\circ\text{C}$, see note 5

PARAMETER	FROM (INPUT)	TO (OUTPUT)	TEST CONDITIONS		'LS671			'LS672			UNIT							
			MODE	LOAD	MIN	TYP	MAX	MIN	TYP	MAX								
t_{PLH}	SRCK \uparrow	CASCADE	SHIFT LEFT OR RIGHT	$R_L = 2\text{ k}\Omega$, $C_L = 15\text{ pF}$	31	45		31	45	ns								
t_{PHL}					14	25		14	25									
t_{PLH}	S0, S1				SR CLEAR	11	20		12	20	ns							
t_{PHL}						11	20		12	20								
t_{PHL}	SRCK \uparrow					19	30				ns							
t_{PHL}	SRCLR \downarrow					19	30				ns							
t_{PLH}	SRCK \uparrow	$Q_A - Q_D$	SHIFT LEFT OR RIGHT	$R_L = 667\ \Omega$, $C_L = 45\text{ pF}$		10	20		10	20	ns							
t_{PHL}						16	25		16	25								
t_{PLH}					SR LOAD	10	20		10	20	ns							
t_{PHL}						15	25		15	25								
t_{PHL}					SR CLEAR	17	30				ns							
t_{PHL}						21	30											
t_{PLH}	RCK \uparrow		LATCH		MUX	$R_L = 667\ \Omega$, $C_L = 45\text{ pF}$	10	20		10	20	ns						
t_{PHL}							15	25		15	25							
t_{PLH}	R/\bar{S} \uparrow						3-STATE ENABLE	MUX	$R_L = 667\ \Omega$, $C_L = 45\text{ pF}$	12	25		13	25	ns			
t_{PHL}										15	25		15	25				
t_{PLH}	R/\bar{S} \downarrow									3-STATE DISABLE	MUX	$R_L = 667\ \Omega$, $C_L = 45\text{ pF}$	17	25		17	25	ns
t_{PHL}													16	25		16	25	
t_{PZH}	\bar{G} \downarrow	3-STATE DISABLE	MUX	$R_L = 667\ \Omega$, $C_L = 45\text{ pF}$	16	25								16	25	ns		
t_{PZL}					19	30								19	30			
t_{PHZ}	\bar{G} \uparrow				3-STATE DISABLE	MUX	$R_L = 667\ \Omega$, $C_L = 45\text{ pF}$	16	25					16	25	ns		
t_{PLZ}								16	25					16	25			

NOTE 5: Load circuits and voltage waveforms are shown in Section 1.

TYPICAL APPLICATION DATA

The 'LS671 or 'LS672 can easily be expanded utilizing the cascade output and the SER L and SER R inputs. A typical expansion is shown below.

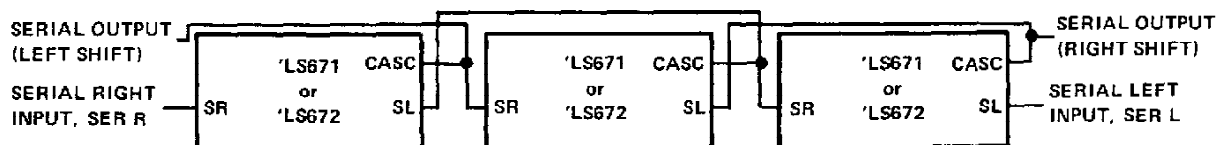


FIGURE 1 - 'LS671, 'LS672 EXPANDED TO 12 BITS, (3 PACKAGES)

Any desired word length may be obtained using the scheme shown. Corresponding control pins of all the packages are tied in common, i.e., all S0 pins are connected together, all S1 pins are connected together, etc.

IMPORTANT NOTICE

Texas Instruments (TI) reserves the right to make changes to its products or to discontinue any semiconductor product or service without notice, and advises its customers to obtain the latest version of relevant information to verify, before placing orders, that the information being relied on is current.

TI warrants performance of its semiconductor products and related software to the specifications applicable at the time of sale in accordance with TI's standard warranty. Testing and other quality control techniques are utilized to the extent TI deems necessary to support this warranty. Specific testing of all parameters of each device is not necessarily performed, except those mandated by government requirements.

Certain applications using semiconductor products may involve potential risks of death, personal injury, or severe property or environmental damage ("Critical Applications").

TI SEMICONDUCTOR PRODUCTS ARE NOT DESIGNED, INTENDED, AUTHORIZED, OR WARRANTED TO BE SUITABLE FOR USE IN LIFE-SUPPORT APPLICATIONS, DEVICES OR SYSTEMS OR OTHER CRITICAL APPLICATIONS.

Inclusion of TI products in such applications is understood to be fully at the risk of the customer. Use of TI products in such applications requires the written approval of an appropriate TI officer. Questions concerning potential risk applications should be directed to TI through a local SC sales office.

In order to minimize risks associated with the customer's applications, adequate design and operating safeguards should be provided by the customer to minimize inherent or procedural hazards.

TI assumes no liability for applications assistance, customer product design, software performance, or infringement of patents or services described herein. Nor does TI warrant or represent that any license, either express or implied, is granted under any patent right, copyright, mask work right, or other intellectual property right of TI covering or relating to any combination, machine, or process in which such semiconductor products or services might be or are used.

IMPORTANT NOTICE

Texas Instruments (TI) reserves the right to make changes to its products or to discontinue any semiconductor product or service without notice, and advises its customers to obtain the latest version of relevant information to verify, before placing orders, that the information being relied on is current.

TI warrants performance of its semiconductor products and related software to the specifications applicable at the time of sale in accordance with TI's standard warranty. Testing and other quality control techniques are utilized to the extent TI deems necessary to support this warranty. Specific testing of all parameters of each device is not necessarily performed, except those mandated by government requirements.

Certain applications using semiconductor products may involve potential risks of death, personal injury, or severe property or environmental damage ("Critical Applications").

TI SEMICONDUCTOR PRODUCTS ARE NOT DESIGNED, INTENDED, AUTHORIZED, OR WARRANTED TO BE SUITABLE FOR USE IN LIFE-SUPPORT APPLICATIONS, DEVICES OR SYSTEMS OR OTHER CRITICAL APPLICATIONS.

Inclusion of TI products in such applications is understood to be fully at the risk of the customer. Use of TI products in such applications requires the written approval of an appropriate TI officer. Questions concerning potential risk applications should be directed to TI through a local SC sales office.

In order to minimize risks associated with the customer's applications, adequate design and operating safeguards should be provided by the customer to minimize inherent or procedural hazards.

TI assumes no liability for applications assistance, customer product design, software performance, or infringement of patents or services described herein. Nor does TI warrant or represent that any license, either express or implied, is granted under any patent right, copyright, mask work right, or other intellectual property right of TI covering or relating to any combination, machine, or process in which such semiconductor products or services might be or are used.

IMPORTANT NOTICE

Texas Instruments and its subsidiaries (TI) reserve the right to make changes to their products or to discontinue any product or service without notice, and advise customers to obtain the latest version of relevant information to verify, before placing orders, that information being relied on is current and complete. All products are sold subject to the terms and conditions of sale supplied at the time of order acknowledgement, including those pertaining to warranty, patent infringement, and limitation of liability.

TI warrants performance of its semiconductor products to the specifications applicable at the time of sale in accordance with TI's standard warranty. Testing and other quality control techniques are utilized to the extent TI deems necessary to support this warranty. Specific testing of all parameters of each device is not necessarily performed, except those mandated by government requirements.

CERTAIN APPLICATIONS USING SEMICONDUCTOR PRODUCTS MAY INVOLVE POTENTIAL RISKS OF DEATH, PERSONAL INJURY, OR SEVERE PROPERTY OR ENVIRONMENTAL DAMAGE ("CRITICAL APPLICATIONS"). TI SEMICONDUCTOR PRODUCTS ARE NOT DESIGNED, AUTHORIZED, OR WARRANTED TO BE SUITABLE FOR USE IN LIFE-SUPPORT DEVICES OR SYSTEMS OR OTHER CRITICAL APPLICATIONS. INCLUSION OF TI PRODUCTS IN SUCH APPLICATIONS IS UNDERSTOOD TO BE FULLY AT THE CUSTOMER'S RISK.

In order to minimize risks associated with the customer's applications, adequate design and operating safeguards must be provided by the customer to minimize inherent or procedural hazards.

TI assumes no liability for applications assistance or customer product design. TI does not warrant or represent that any license, either express or implied, is granted under any patent right, copyright, mask work right, or other intellectual property right of TI covering or relating to any combination, machine, or process in which such semiconductor products or services might be or are used. TI's publication of information regarding any third party's products or services does not constitute TI's approval, warranty or endorsement thereof.