

# SN55LBC174

## QUADRUPLE LOW-POWER DIFFERENTIAL LINE DRIVER

SGLS082A – MARCH 1995 – REVISED JULY 2004

- Meets EIA Standard RS-485
- Designed for High-Speed Multipoint Transmission on Long Bus Lines in Noisy Environments
- Supports Data Rates up to and Exceeding Ten Million Transfers Per Second
- Common-Mode Output Voltage Range of  $-7\text{ V}$  to  $12\text{ V}$
- Positive- and Negative-Current Limiting
- Low Power Consumption . . .  $1.5\text{ mA Max}$  (Output Disabled)

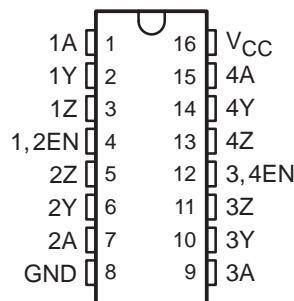
### description

The SN55LBC174 is composed of monolithic quadruple differential line drivers with 3-state outputs. This device is designed to meet the requirements of the Electronics Industry Association (EIA) Standard RS-485 and is optimized for balanced multipoint bus transmission at data rates up to and exceeding 10 million bits per second. Each driver features wide positive and negative common-mode output voltage ranges, current limiting, and thermal-shutdown protection making it suitable for party-line applications in noisy environments. This device is designed using LinBiCMOS™, facilitating ultra-low power consumption and inherent robustness.

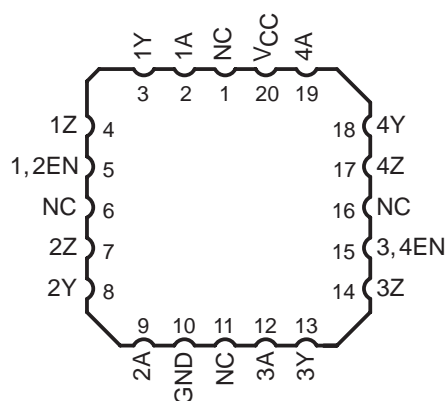
The SN55LBC174 provides positive and negative-current limiting and thermal shutdown for protection from line fault conditions on the transmission bus line. This device offers optimum performance when used with the SN55LBC173 quadruple line receiver. The SN55LBC174 is available in the 16-pin CDIP package (J), the 16-pin CPAK (W), or the 20-pin LCCC package (FK).

The SN55LBC174 is characterized for operation over the military temperature range of  $-55^{\circ}\text{C}$  to  $125^{\circ}\text{C}$ .

**J OR W PACKAGE  
(TOP VIEW)**



**FK PACKAGE  
(TOP VIEW)**



NC – No internal connection

**FUNCTION TABLE  
(each driver)**

INPUT	ENABLE	OUTPUTS	
		Y	Z
H	H	H	L
L	H	L	H
X	L	Z	Z

H = high level, L = low level, X = irrelevant,  
Z = high impedance (off)



Please be aware that an important notice concerning availability, standard warranty, and use in critical applications of Texas Instruments semiconductor products and disclaimers thereto appears at the end of this data sheet.

LinBiCMOS is a trademark of Texas Instruments Incorporated.

**PRODUCTION DATA** information is current as of publication date. Products conform to specifications per the terms of Texas Instruments standard warranty. Production processing does not necessarily include testing of all parameters.



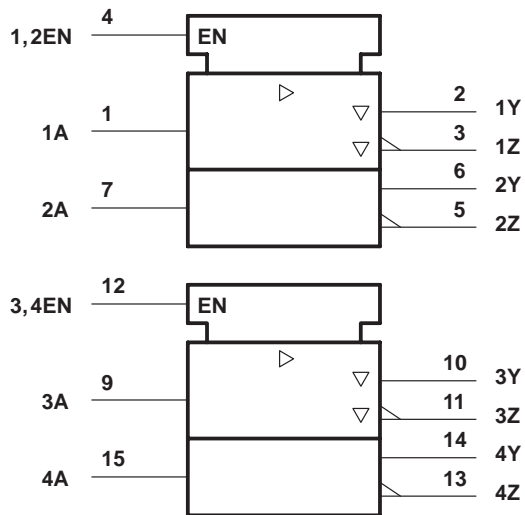
POST OFFICE BOX 655303 • DALLAS, TEXAS 75265

Copyright © 2004, Texas Instruments Incorporated  
On products compliant to MIL-PRF-38535, all parameters are tested unless otherwise noted. On all other products, production processing does not necessarily include testing of all parameters.

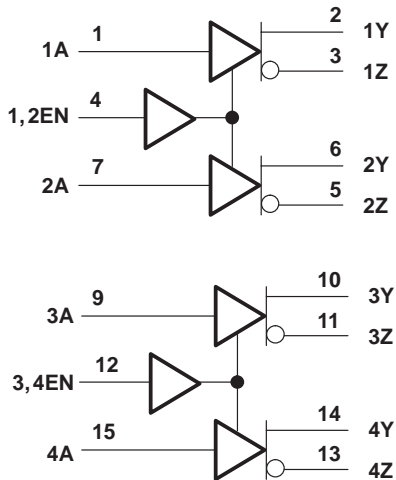
# SN55LBC174 QUADRUPLE LOW-POWER DIFFERENTIAL LINE DRIVER

SGLS082A – MARCH 1995 – REVISED JULY 2004

## logic symbol†

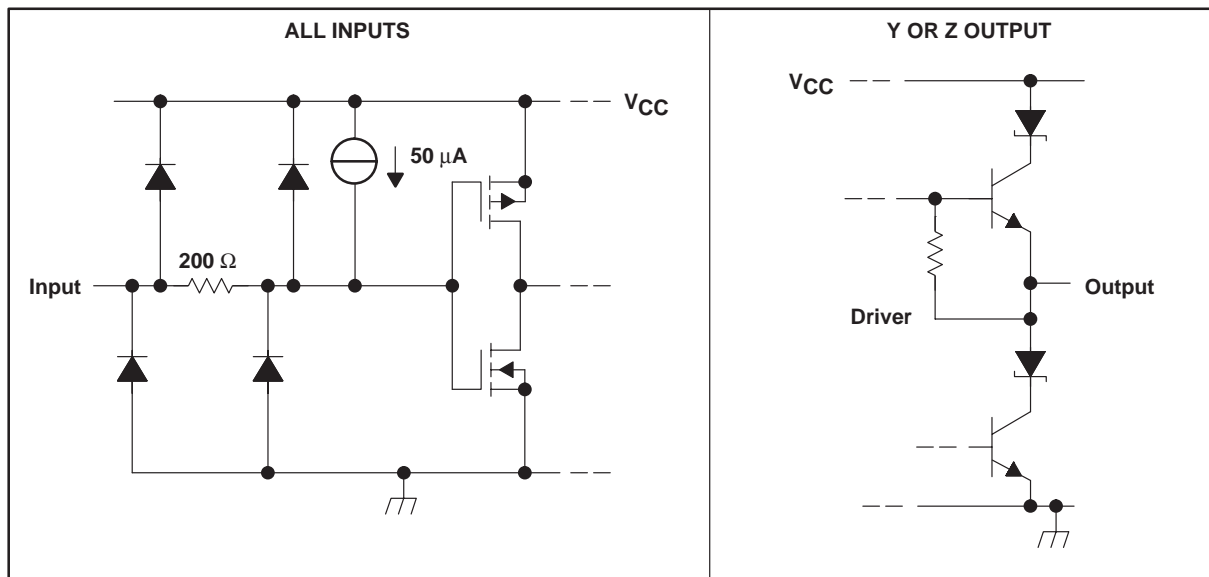


## logic diagram (positive logic)



† This symbol is in accordance with ANSI/IEEE Std 91-1984 and IEC publication 617-12. Pin numbers shown are for the J or W package.

## schematic of inputs and outputs



# SN55LBC174

## QUADRUPLE LOW-POWER DIFFERENTIAL LINE DRIVER

SGLS082A – MARCH 1995 – REVISED JULY 2004

### absolute maximum ratings over operating free-air temperature (unless otherwise noted)<sup>†</sup>

Supply voltage range, $V_{CC}$ (see Note 1)	–0.3 V to 7 V
Output voltage range, $V_O$	–10 V to 15 V
Input voltage range, $V_I$	–0.3 V to 7 V
Continuous power dissipation	Internally limited <sup>‡</sup>
Operating free-air temperature range, $T_A$	–55°C to 125°C
Storage temperature range, $T_{stg}$	–65°C to 150°C
Lead temperature 1,6 mm (1/16 inch) from case for 10 seconds	–65°C to 150°C

<sup>†</sup> Stresses beyond those listed under “absolute maximum ratings” may cause permanent damage to the device. These are stress ratings only, and functional operation of the device at these or any other conditions beyond those indicated under “recommended operating conditions” is not implied. Exposure to absolute-maximum-rated conditions for extended periods may affect device reliability.

<sup>‡</sup> The maximum operating junction temperature is internally limited. Use the dissipation rating table to operate below this temperature.

NOTE 1: All voltage values are with respect to GND.

**DISSIPATION RATING TABLE**

PACKAGE	$T_A \leq 25^\circ\text{C}$ POWER RATING	DERATING FACTOR ABOVE $T_A = 25^\circ\text{C}$	$T_A = 125^\circ\text{C}$ POWER RATING
FK	1375 mW	11 mW/°C	275 mW
J	1375 mW	11 mW/°C	275 mW
W	1000 mW	8 mW/°C	200 mW

### recommended operating conditions

		MIN	NOM	MAX	UNIT
Supply voltage, $V_{CC}$		4.75	5	5.25	V
High-level input voltage, $V_{IH}$		2			V
Low-level input voltage, $V_{IL}$		0.8			V
Voltage at any bus terminal (separately or common mode), $V_O$	Y or Z	12			V
		–7			
High-level output current, $I_{OH}$	Y or Z	–60			mA
Low-level output current, $I_{OL}$	Y or Z	60			mA
Operating free-air temperature, $T_A$		–55	125		°C



# SN55LBC174

## QUADRUPLE LOW-POWER DIFFERENTIAL LINE DRIVER

SGLS082A – MARCH 1995 – REVISED JULY 2004

electrical characteristics over recommended ranges of supply voltage and operating free-air temperature (unless otherwise noted)

PARAMETER		TEST CONDITIONS	MIN	TYP†	MAX	UNIT
$V_{IK}$	Input clamp voltage	$I_I = -18 \text{ mA}$			-1.5	V
$ V_{OD} $	Differential output voltage‡	$R_L = 54 \Omega$ , See Figure 1	1.1	1.8	5	V
		$R_L = 60 \Omega$ , See Figure 2	1.1	1.7	5	
$\Delta V_{OD} $	Change in magnitude of differential output voltage§				$\pm 0.2$	V
$V_{OC}$	Common-mode output voltage	$R_L = 54 \Omega$ , See Figure 1			3 -1	V
$\Delta V_{OC} $	Change in magnitude of common-mode output voltage§					$\pm 0.2$
$I_O$	Output current with power off	$V_{CC} = 0$ , $V_O = -7 \text{ V to } 12 \text{ V}$			$\pm 100$	$\mu\text{A}$
$I_{OZ}$	High-impedance-state output current	$V_O = -7 \text{ V to } 12 \text{ V}$			$\pm 100$	$\mu\text{A}$
$I_{IH}$	High-level input current	$V_I = 2.4 \text{ V}$			-100	$\mu\text{A}$
$I_{IL}$	Low-level input current	$V_I = 0.4 \text{ V}$			-100	$\mu\text{A}$
$I_{OS}$	Short-circuit output current	$V_O = -7 \text{ V to } 12 \text{ V}$			$\pm 250$	mA
$I_{CC}$	Supply current (all drivers)	No load	Outputs enabled		7	mA
			Outputs disabled		1.5	

† All typical values are at  $V_{CC} = 5 \text{ V}$  and  $T_A = 25^\circ\text{C}$ .

‡ The minimum  $V_{OD}$  specification does not fully comply with EIA Standard RS-485 at operating temperatures below  $0^\circ\text{C}$ . The lower output signal should be used to determine the maximum signal transmission distance.

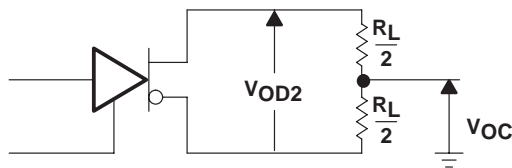
§  $\Delta|V_{OD}|$  and  $\Delta|V_{OC}|$  are the changes in magnitude of  $V_{OD}$  and  $V_{OC}$ , respectively, that occur when the input is changed from a high level to a low level.

### switching characteristics, $V_{CC} = 5 \text{ V}$

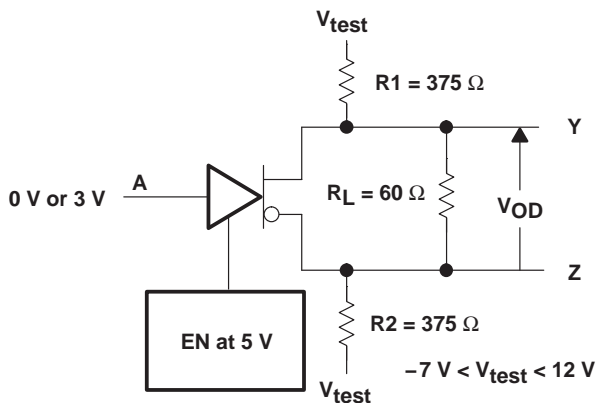
PARAMETER		TEST CONDITIONS	$T_A$		MIN	TYP	MAX	UNIT
$t_{d(OD)}$	Differential output delay time	$R_L = 54 \Omega$ , See Figure 3	25°C		2	11	20	ns
			-55°C to 125°C		2		40	
$t_{t(OD)}$	Differential output transition time	$R_L = 54 \Omega$ , See Figure 3	25°C		4	15	25	ns
			-55°C to 125°C		4		40	
$t_{pZH}$	Output enable time to high level	$R_L = 110 \Omega$ , See Figure 4	25°C				30	ns
			-55°C to 125°C				40	
$t_{pZL}$	Output enable time to low level	$R_L = 110 \Omega$ , See Figure 5	25°C				30	ns
			-55°C to 125°C				40	
$t_{pHZ}$	Output disable time from high level	$R_L = 110 \Omega$ , See Figure 4	25°C				50	ns
			-55°C to 125°C				90	
$t_{pLZ}$	Output disable time from low level	$R_L = 110 \Omega$ , See Figure 5	25°C				30	ns
			-55°C to 125°C				45	



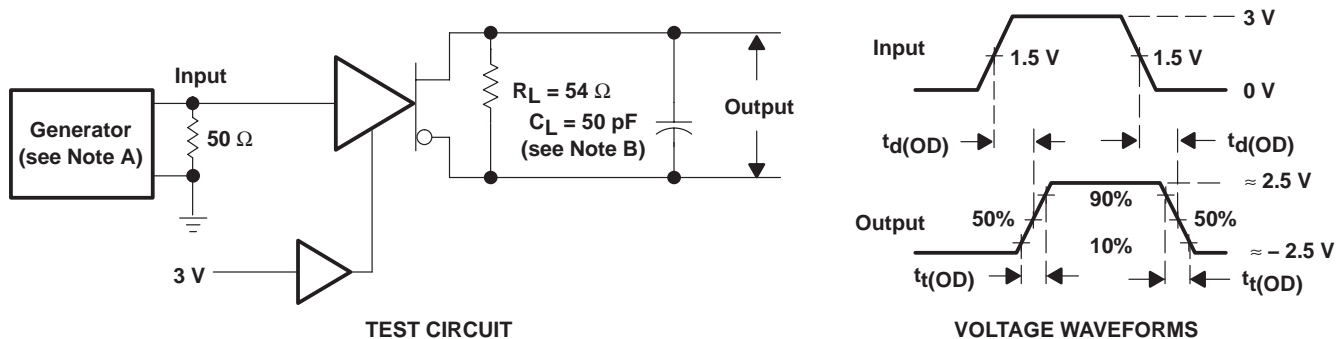
**PARAMETER MEASUREMENT INFORMATION**



**Figure 1. Differential and Common-Mode Output Voltages**



**Figure 2. Driver  $V_{OD}$  Test Circuit**



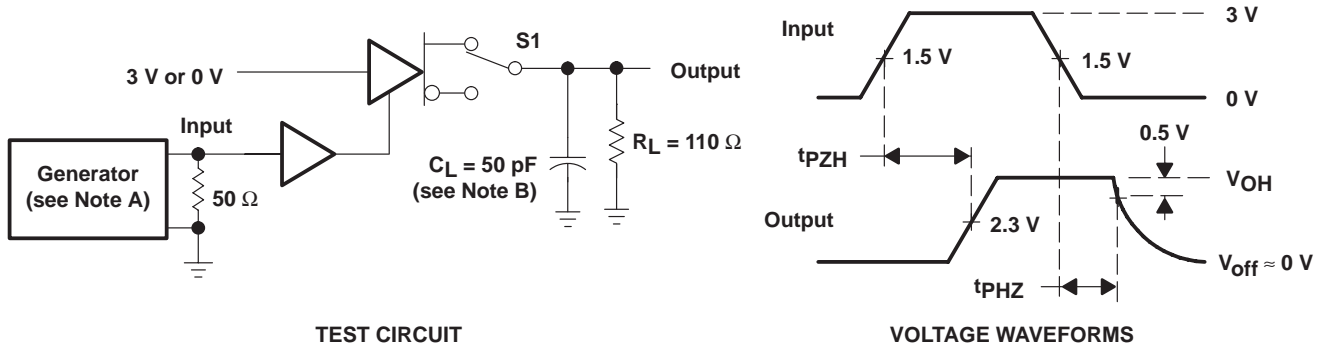
- NOTES: A. The input pulse is supplied by a generator having the following characteristics:  $PRR \leq 1$  MHz, duty cycle  $\leq 50\%$ ,  $t_r \leq 5$  ns,  $t_f \leq 5$  ns,  $Z_O = 50 \Omega$ .  
B.  $C_L$  includes probe and stray capacitance.

**Figure 3. Driver Differential-Output Test Circuit Delay and Transition-Time Waveforms**

# SN55LBC174 QUADRUPLE LOW-POWER DIFFERENTIAL LINE DRIVER

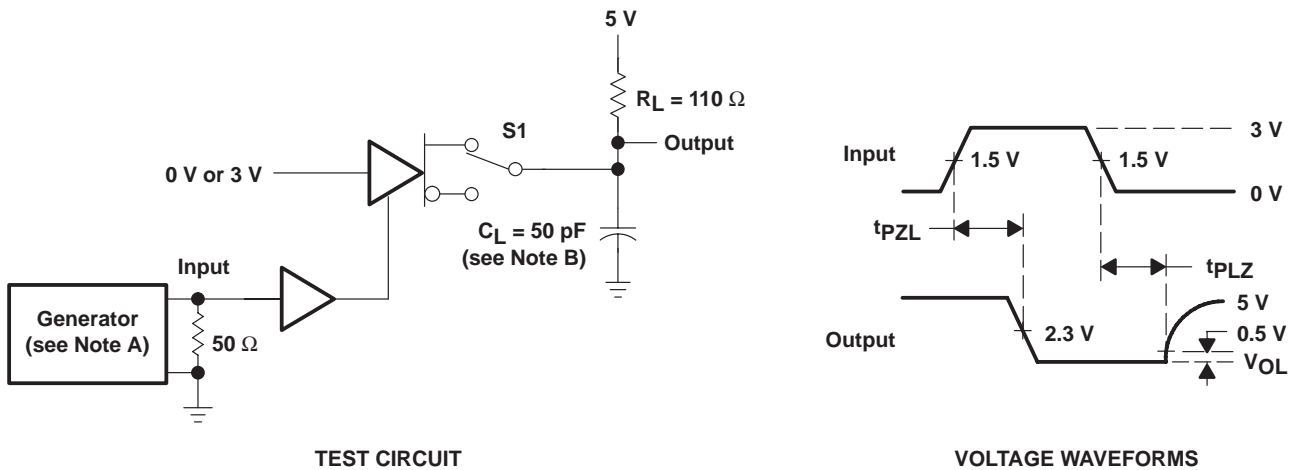
SGLS082A – MARCH 1995 – REVISED JULY 2004

## PARAMETER MEASUREMENT INFORMATION



- NOTES: A. The input pulse is supplied by a generator having the following characteristics: PRR  $\leq 1 \text{ MHz}$ , duty cycle  $\leq 50\%$ ,  $t_r \leq 5 \text{ ns}$ ,  $t_f \leq 5 \text{ ns}$ ,  $Z_O = 50 \text{ }\Omega$ .  
 B.  $C_L$  includes probe and stray capacitance.

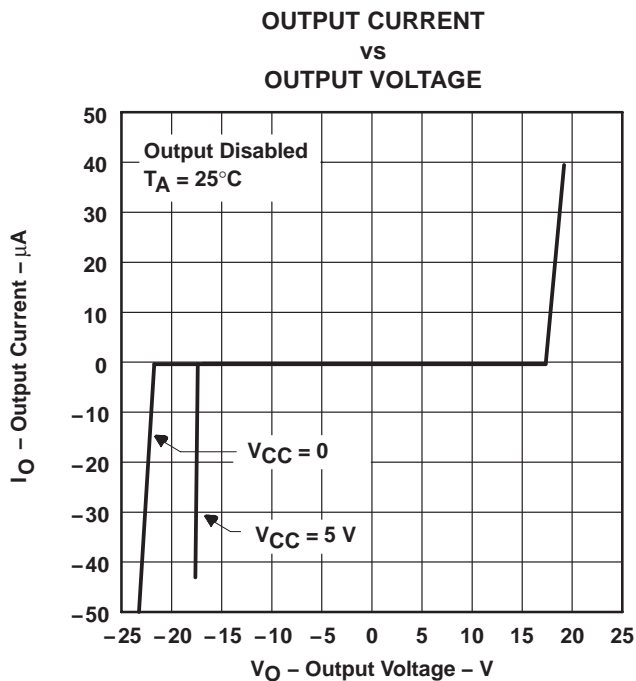
Figure 4.  $t_{pZH}$  and  $t_{pHZ}$  Test Circuit and Waveforms



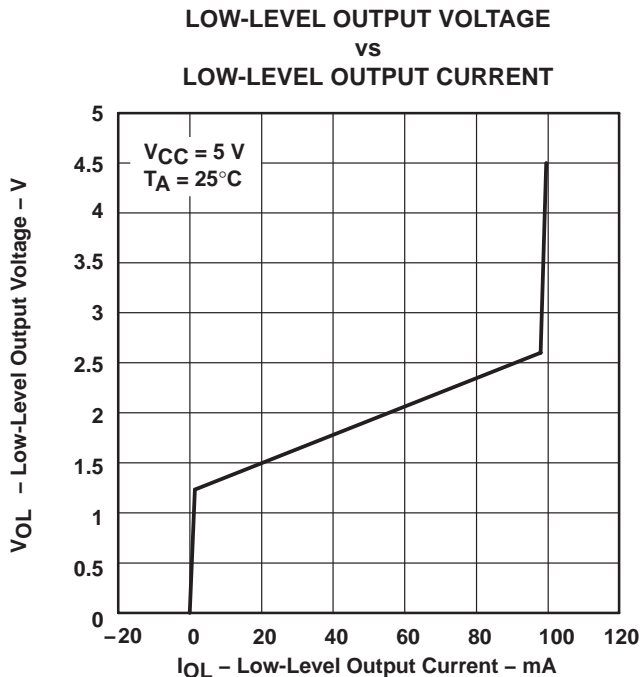
- NOTES: A. The input pulse is supplied by a generator having the following characteristics: PRR  $\leq 1 \text{ MHz}$ , duty cycle  $\leq 50\%$ ,  $t_r \leq 5 \text{ ns}$ ,  $t_f \leq 5 \text{ ns}$ ,  $Z_O = 50 \text{ }\Omega$ .  
 B.  $C_L$  includes probe and stray capacitance.

Figure 5.  $t_{pZL}$  and  $t_{pLZ}$  Test Circuit and Waveforms

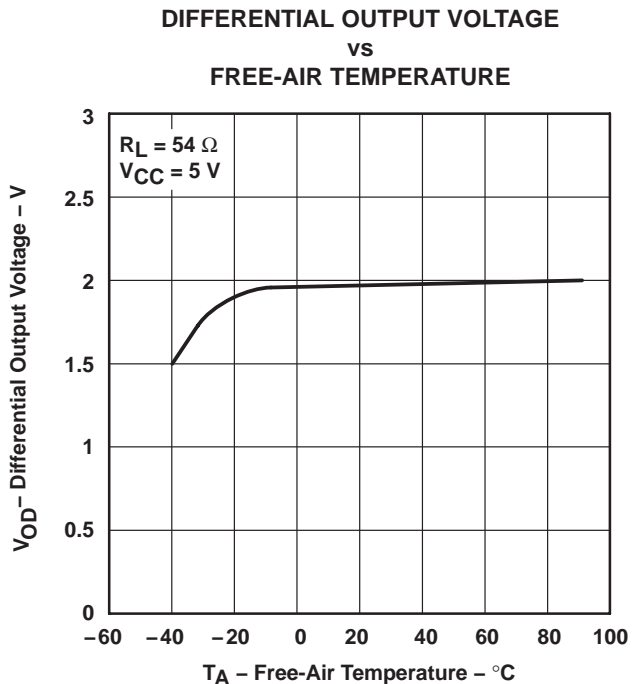
**TYPICAL CHARACTERISTICS**



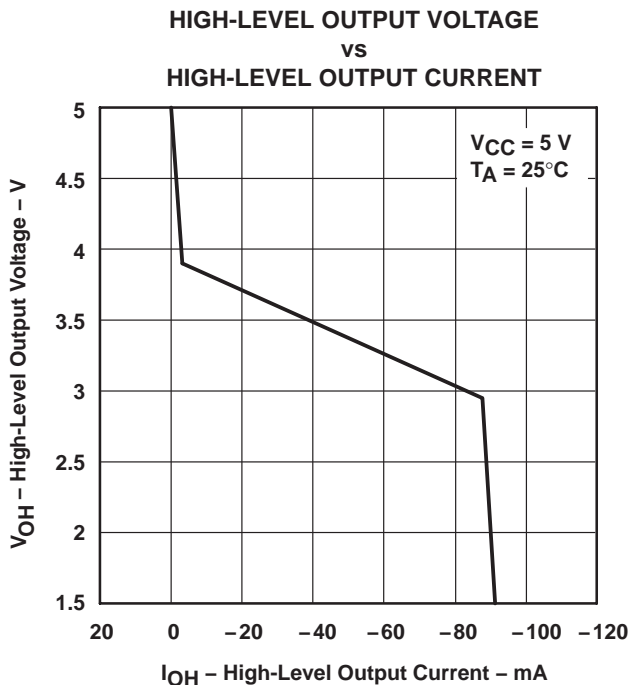
**Figure 6**



**Figure 7**



**Figure 8**

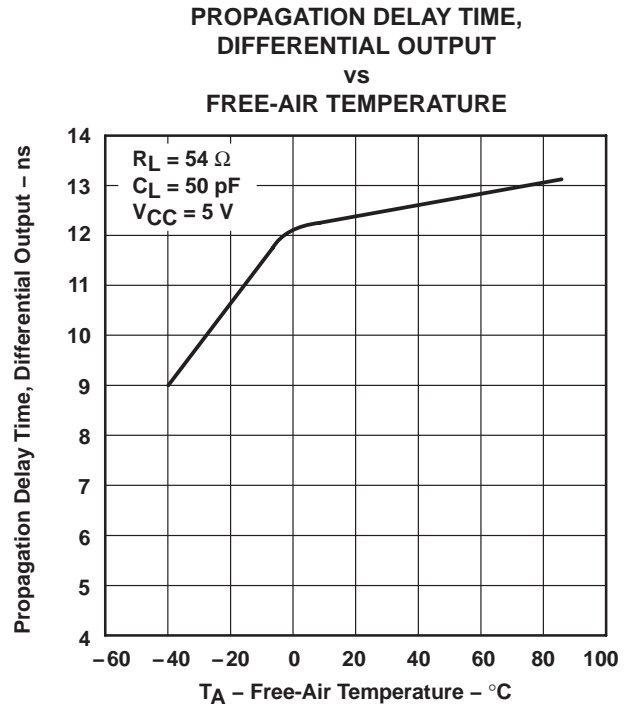
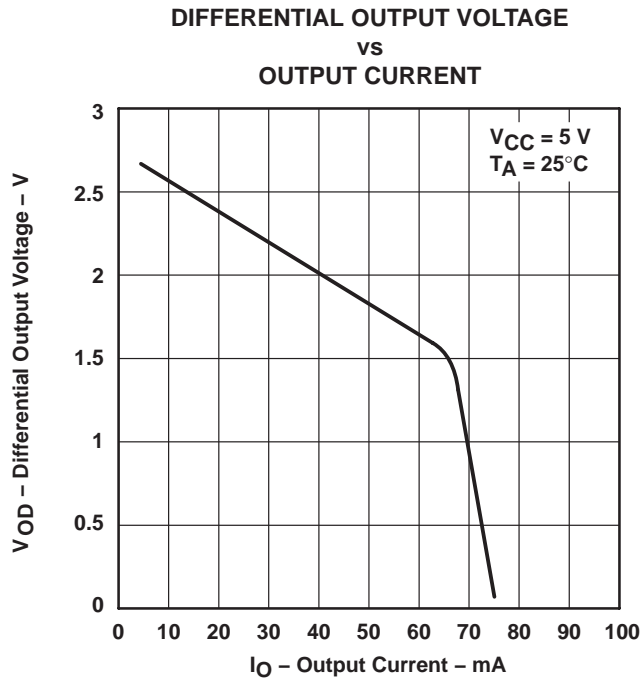


**Figure 9**

# SN55LBC174 QUADRUPLE LOW-POWER DIFFERENTIAL LINE DRIVER

SGLS082A – MARCH 1995 – REVISED JULY 2004

## TYPICAL CHARACTERISTICS





**PACKAGING INFORMATION**

Orderable Device	Status <sup>(1)</sup>	Package Type	Package Drawing	Pins	Package Qty	Eco Plan <sup>(2)</sup>	Lead/ Ball Finish	MSL Peak Temp <sup>(3)</sup>	Samples (Requires Login)
5962-9076504Q2A	ACTIVE	LCCC	FK	20	1	TBD	Call TI	Call TI	
5962-9076504QEA	ACTIVE	CDIP	J	16	1	TBD	Call TI	Call TI	
5962-9076504QFA	ACTIVE	CFP	W	16	1	TBD	Call TI	Call TI	
SN55LBC174J	ACTIVE	CDIP	J	16	1	TBD	A42	N / A for Pkg Type	
SNJ55LBC174FK	ACTIVE	LCCC	FK	20	1	TBD	POST-PLATE	N / A for Pkg Type	
SNJ55LBC174J	ACTIVE	CDIP	J	16	1	TBD	A42	N / A for Pkg Type	
SNJ55LBC174W	ACTIVE	CFP	W	16	1	TBD	A42	N / A for Pkg Type	

<sup>(1)</sup> The marketing status values are defined as follows:

**ACTIVE:** Product device recommended for new designs.

**LIFEBUY:** TI has announced that the device will be discontinued, and a lifetime-buy period is in effect.

**NRND:** Not recommended for new designs. Device is in production to support existing customers, but TI does not recommend using this part in a new design.

**PREVIEW:** Device has been announced but is not in production. Samples may or may not be available.

**OBSELETE:** TI has discontinued the production of the device.

<sup>(2)</sup> Eco Plan - The planned eco-friendly classification: Pb-Free (RoHS), Pb-Free (RoHS Exempt), or Green (RoHS & no Sb/Br) - please check <http://www.ti.com/productcontent> for the latest availability information and additional product content details.

**TBD:** The Pb-Free/Green conversion plan has not been defined.

**Pb-Free (RoHS):** TI's terms "Lead-Free" or "Pb-Free" mean semiconductor products that are compatible with the current RoHS requirements for all 6 substances, including the requirement that lead not exceed 0.1% by weight in homogeneous materials. Where designed to be soldered at high temperatures, TI Pb-Free products are suitable for use in specified lead-free processes.

**Pb-Free (RoHS Exempt):** This component has a RoHS exemption for either 1) lead-based flip-chip solder bumps used between the die and package, or 2) lead-based die adhesive used between the die and leadframe. The component is otherwise considered Pb-Free (RoHS compatible) as defined above.

**Green (RoHS & no Sb/Br):** TI defines "Green" to mean Pb-Free (RoHS compatible), and free of Bromine (Br) and Antimony (Sb) based flame retardants (Br or Sb do not exceed 0.1% by weight in homogeneous material)

<sup>(3)</sup> MSL, Peak Temp. -- The Moisture Sensitivity Level rating according to the JEDEC industry standard classifications, and peak solder temperature.

**Important Information and Disclaimer:** The information provided on this page represents TI's knowledge and belief as of the date that it is provided. TI bases its knowledge and belief on information provided by third parties, and makes no representation or warranty as to the accuracy of such information. Efforts are underway to better integrate information from third parties. TI has taken and continues to take reasonable steps to provide representative and accurate information but may not have conducted destructive testing or chemical analysis on incoming materials and chemicals. TI and TI suppliers consider certain information to be proprietary, and thus CAS numbers and other limited information may not be available for release.

In no event shall TI's liability arising out of such information exceed the total purchase price of the TI part(s) at issue in this document sold by TI to Customer on an annual basis.

**OTHER QUALIFIED VERSIONS OF SN55LBC174 :**

- Catalog: [SN75LBC174](#)

NOTE: Qualified Version Definitions:

- Catalog - TI's standard catalog product

J (R-GDIP-T\*\*)

14 LEADS SHOWN

CERAMIC DUAL IN-LINE PACKAGE



DIM \ PINS **	14	16	18	20
A	0.300 (7,62) BSC	0.300 (7,62) BSC	0.300 (7,62) BSC	0.300 (7,62) BSC
B MAX	0.785 (19,94)	.840 (21,34)	0.960 (24,38)	1.060 (26,92)
B MIN	—	—	—	—
C MAX	0.300 (7,62)	0.300 (7,62)	0.310 (7,87)	0.300 (7,62)
C MIN	0.245 (6,22)	0.245 (6,22)	0.220 (5,59)	0.245 (6,22)



4040083/F 03/03

- NOTES:
- All linear dimensions are in inches (millimeters).
  - This drawing is subject to change without notice.
  - This package is hermetically sealed with a ceramic lid using glass frit.
  - Index point is provided on cap for terminal identification only on press ceramic glass frit seal only.
  - Falls within MIL STD 1835 GDIP1-T14, GDIP1-T16, GDIP1-T18 and GDIP1-T20.

W (R-GDFP-F16)

CERAMIC DUAL FLATPACK



- NOTES:
- A. All linear dimensions are in inches (millimeters).
  - B. This drawing is subject to change without notice.
  - C. This package can be hermetically sealed with a ceramic lid using glass frit.
  - D. Index point is provided on cap for terminal identification only.
  - E. Falls within MIL STD 1835 GDFP1-F16 and JEDEC MO-092AC

FK (S-CQCC-N\*\*)

LEADLESS CERAMIC CHIP CARRIER

28 TERMINAL SHOWN



NO. OF TERMINALS **	A		B	
	MIN	MAX	MIN	MAX
20	0.342 (8,69)	0.358 (9,09)	0.307 (7,80)	0.358 (9,09)
28	0.442 (11,23)	0.458 (11,63)	0.406 (10,31)	0.458 (11,63)
44	0.640 (16,26)	0.660 (16,76)	0.495 (12,58)	0.560 (14,22)
52	0.740 (18,78)	0.761 (19,32)	0.495 (12,58)	0.560 (14,22)
68	0.938 (23,83)	0.962 (24,43)	0.850 (21,6)	0.858 (21,8)
84	1.141 (28,99)	1.165 (29,59)	1.047 (26,6)	1.063 (27,0)



4040140/D 01/11

- NOTES:
- All linear dimensions are in inches (millimeters).
  - This drawing is subject to change without notice.
  - This package can be hermetically sealed with a metal lid.
  - Falls within JEDEC MS-004

## IMPORTANT NOTICE

Texas Instruments Incorporated and its subsidiaries (TI) reserve the right to make corrections, modifications, enhancements, improvements, and other changes to its products and services at any time and to discontinue any product or service without notice. Customers should obtain the latest relevant information before placing orders and should verify that such information is current and complete. All products are sold subject to TI's terms and conditions of sale supplied at the time of order acknowledgment.

TI warrants performance of its hardware products to the specifications applicable at the time of sale in accordance with TI's standard warranty. Testing and other quality control techniques are used to the extent TI deems necessary to support this warranty. Except where mandated by government requirements, testing of all parameters of each product is not necessarily performed.

TI assumes no liability for applications assistance or customer product design. Customers are responsible for their products and applications using TI components. To minimize the risks associated with customer products and applications, customers should provide adequate design and operating safeguards.

TI does not warrant or represent that any license, either express or implied, is granted under any TI patent right, copyright, mask work right, or other TI intellectual property right relating to any combination, machine, or process in which TI products or services are used. Information published by TI regarding third-party products or services does not constitute a license from TI to use such products or services or a warranty or endorsement thereof. Use of such information may require a license from a third party under the patents or other intellectual property of the third party, or a license from TI under the patents or other intellectual property of TI.

Reproduction of TI information in TI data books or data sheets is permissible only if reproduction is without alteration and is accompanied by all associated warranties, conditions, limitations, and notices. Reproduction of this information with alteration is an unfair and deceptive business practice. TI is not responsible or liable for such altered documentation. Information of third parties may be subject to additional restrictions.

Resale of TI products or services with statements different from or beyond the parameters stated by TI for that product or service voids all express and any implied warranties for the associated TI product or service and is an unfair and deceptive business practice. TI is not responsible or liable for any such statements.

TI products are not authorized for use in safety-critical applications (such as life support) where a failure of the TI product would reasonably be expected to cause severe personal injury or death, unless officers of the parties have executed an agreement specifically governing such use. Buyers represent that they have all necessary expertise in the safety and regulatory ramifications of their applications, and acknowledge and agree that they are solely responsible for all legal, regulatory and safety-related requirements concerning their products and any use of TI products in such safety-critical applications, notwithstanding any applications-related information or support that may be provided by TI. Further, Buyers must fully indemnify TI and its representatives against any damages arising out of the use of TI products in such safety-critical applications.

TI products are neither designed nor intended for use in military/aerospace applications or environments unless the TI products are specifically designated by TI as military-grade or "enhanced plastic." Only products designated by TI as military-grade meet military specifications. Buyers acknowledge and agree that any such use of TI products which TI has not designated as military-grade is solely at the Buyer's risk, and that they are solely responsible for compliance with all legal and regulatory requirements in connection with such use.

TI products are neither designed nor intended for use in automotive applications or environments unless the specific TI products are designated by TI as compliant with ISO/TS 16949 requirements. Buyers acknowledge and agree that, if they use any non-designated products in automotive applications, TI will not be responsible for any failure to meet such requirements.

Following are URLs where you can obtain information on other Texas Instruments products and application solutions:

### Products

Audio	<a href="http://www.ti.com/audio">www.ti.com/audio</a>
Amplifiers	<a href="http://amplifier.ti.com">amplifier.ti.com</a>
Data Converters	<a href="http://dataconverter.ti.com">dataconverter.ti.com</a>
DLP® Products	<a href="http://www.dlp.com">www.dlp.com</a>
DSP	<a href="http://dsp.ti.com">dsp.ti.com</a>
Clocks and Timers	<a href="http://www.ti.com/clocks">www.ti.com/clocks</a>
Interface	<a href="http://interface.ti.com">interface.ti.com</a>
Logic	<a href="http://logic.ti.com">logic.ti.com</a>
Power Mgmt	<a href="http://power.ti.com">power.ti.com</a>
Microcontrollers	<a href="http://microcontroller.ti.com">microcontroller.ti.com</a>
RFID	<a href="http://www.ti-rfid.com">www.ti-rfid.com</a>
OMAP Mobile Processors	<a href="http://www.ti.com/omap">www.ti.com/omap</a>
Wireless Connectivity	<a href="http://www.ti.com/wirelessconnectivity">www.ti.com/wirelessconnectivity</a>

### Applications

Communications and Telecom	<a href="http://www.ti.com/communications">www.ti.com/communications</a>
Computers and Peripherals	<a href="http://www.ti.com/computers">www.ti.com/computers</a>
Consumer Electronics	<a href="http://www.ti.com/consumer-apps">www.ti.com/consumer-apps</a>
Energy and Lighting	<a href="http://www.ti.com/energy">www.ti.com/energy</a>
Industrial	<a href="http://www.ti.com/industrial">www.ti.com/industrial</a>
Medical	<a href="http://www.ti.com/medical">www.ti.com/medical</a>
Security	<a href="http://www.ti.com/security">www.ti.com/security</a>
Space, Avionics and Defense	<a href="http://www.ti.com/space-avionics-defense">www.ti.com/space-avionics-defense</a>
Transportation and Automotive	<a href="http://www.ti.com/automotive">www.ti.com/automotive</a>
Video and Imaging	<a href="http://www.ti.com/video">www.ti.com/video</a>

TI E2E Community Home Page

[e2e.ti.com](http://e2e.ti.com)

Mailing Address: Texas Instruments, Post Office Box 655303, Dallas, Texas 75265  
Copyright © 2011, Texas Instruments Incorporated