

## 3-V TO 6-V INPUT, 3-A OUTPUT, SYNCHRONOUS-BUCK PWM SWITCHERS WITH INTEGRATED FETs (SWIFT™ VOLTAGE REGULATORS)

### FEATURES

- **Controlled Baseline**
  - One Assembly
  - One Test Site
  - One Fabrication Site
- **Extended Temperature Performance of –55°C to 125°C**
- **Enhanced Diminishing Manufacturing Sources (DMS) Support**
- **Enhanced Product-Change Notification**
- **Qualification Pedigree<sup>(1)</sup>**
- **60-mΩ MOSFET Switches for High Efficiency at 3-A Continuous Output Source or Sink Current**
- **0.9-V, 1.2-V, 1.5-V, 1.8-V, 2.5-V, and 3.3-V Fixed-Output Voltage Devices With 1% Initial Accuracy**
- **Internally Compensated for Low Parts Count**
- **Fast Transient Response**
- **Wide Pulse-Width Modulation (PWM) Frequency Fixed: 350 kHz, 550 kHz Adjustable: 280 kHz to 700 kHz**
- **Load Protected by Peak Current Limit and Thermal Shutdown**
- **Integrated Solution Reduces Board Area and Total Cost**

<sup>(1)</sup> Component qualification in accordance with JEDEC and industry standards to ensure reliable operation over an extended temperature range. This includes, but is not limited to, Highly Accelerated Stress Test (HAST) or biased 85/85, temperature cycle, autoclave or unbiased HAST, electromigration, bond intermetallic life, and mold compound life. Such qualification testing should not be viewed as justifying use of this component beyond specified performance and environmental limits.

### APPLICATIONS

- **Low-Voltage High-Density Systems With Power Distributed at 5 V or 3.3 V**
- **Point-of-Load Regulation for High-Performance DSPs, FPGAs, ASICs, and Microprocessors**
- **Broadband, Networking, and Optical Communications Infrastructure**
- **Automotive Telematics**

### DESCRIPTION

As members of the SWIFT™ family of dc/dc regulators, the TPS5431x low-input voltage, high-output current, synchronous-buck PWM converters integrate all required active components. Included on the substrate with the listed features is a true, high-performance, voltage error amplifier that provides high performance under transient conditions, an undervoltage-lockout circuit to prevent start-up until the input voltage reaches 3 V, an internally- and externally-set slow-start circuit to limit in-rush currents, and a power-good output useful for processor/logic reset, fault signaling, and supply sequencing.

The TPS5431x device is available in a thermally-enhanced 20-pin TSSOP (PWP) PowerPAD™ package, which eliminates bulky heatsinks. TI provides evaluation modules and the SWIFT designer software tool to aid in quickly achieving high-performance power-supply designs to meet aggressive equipment development cycles.

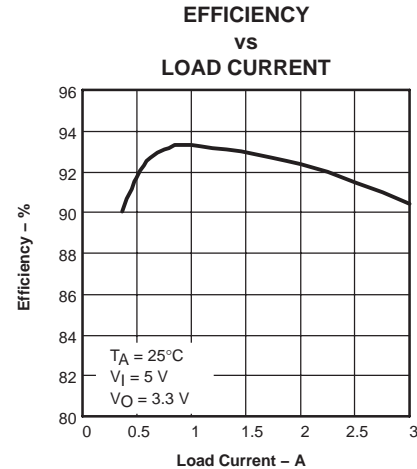
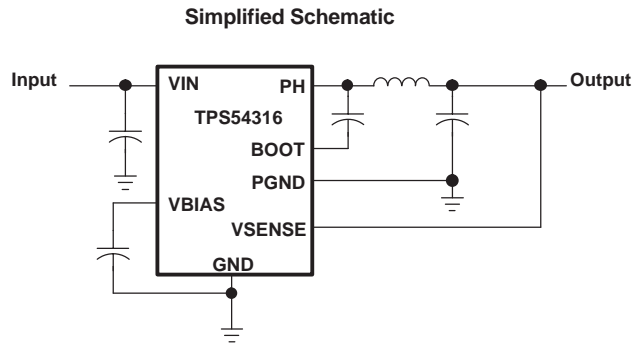


These devices have limited built-in ESD protection. The leads should be shorted together or the device placed in conductive foam during storage or handling to prevent electrostatic damage to the MOS gates.



Please be aware that an important notice concerning availability, standard warranty, and use in critical applications of Texas Instruments semiconductor products and disclaimers thereto appears at the end of this data sheet.

PowerPAD and SWIFT are trademarks of Texas Instruments.



### ORDERING INFORMATION

T <sub>J</sub>	OUTPUT VOLTAGE	PACKAGED DEVICES PLASTIC TSSOP (PWP) <sup>(1)</sup>
-55°C to 125°C	0.9 V	TPS54311MPWPREP <sup>(2)</sup>
	1.2 V	TPS54312MPWPREP
	1.5 V	TPS54313MPWPREP <sup>(2)</sup>
	1.8 V	TPS54314MPWPREP <sup>(2)</sup>
	2.5 V	TPS54315MPWPREP <sup>(2)</sup>
	3.3 V	TPS54316MPWPREP <sup>(2)</sup>

(1) The PWP package is taped and reeled, as indicated by the R suffix. See application section of data sheet for PowerPAD drawing and layout information.

(2) Product Preview

### ABSOLUTE MAXIMUM RATINGS

over operating free-air temperature range unless otherwise noted<sup>(1)</sup>

Input voltage range, V <sub>I</sub>	VIN, SS/ENA, FSEL	-0.3 V to 7 V
	RT	-0.3 V to 6 V
	VSENSE	-0.3 V to 4 V
	BOOT	-0.3 V to 17 V
Output voltage range, V <sub>O</sub>	VBIAS, PWRGD, COMP	-0.3 V to 7 V
	PH	-0.6 V to 10 V
Source current, I <sub>O</sub>	PH	Internally limited
	COMP, VBIAS	6 mA
Sink current	PH	6 A
	COMP	6 mA
	SS/ENA, PWRGD	10 mA
Voltage differential	AGND to PGND	±0.3 V
Operating virtual junction temperature range, T <sub>J</sub>		-40°C to 150°C
Storage temperature, T <sub>stg</sub>		-65°C to 150°C
Lead temperature 1.6 mm (1/16 in) from case for 10 s		300°C

(1) Stresses beyond those listed under "absolute maximum ratings" may cause permanent damage to the device. These are stress ratings only, and functional operation of the device at these or any other conditions beyond those indicated under "recommended operating conditions" is not implied. Exposure to absolute-maximum-rated conditions for extended periods may affect device reliability.

### RECOMMENDED OPERATING CONDITIONS

	MIN	MAX	UNIT
Input voltage range, V <sub>I</sub>	3	6	V
Operating junction temperature, T <sub>J</sub>	-55	125	°C

## PACKAGE DISSIPATION RATINGS(1) (2)

PACKAGE	THERMAL IMPEDANCE, JUNCTION TO AMBIENT	T <sub>A</sub> = 25°C POWER RATING	T <sub>A</sub> = 70°C POWER RATING	T <sub>A</sub> = 85°C POWER RATING
20-pin PWP with solder	26°C/W	3.85 W(3)	2.12 W	1.54 W
20-pin PWP without solder	57.5°C/W	1.73 W	0.96 W	0.69 W

(1) For more information on the PWP package, see the TI technical brief (SLMA002).

(2) Test board conditions:

- 3 in × 3 in, two layers, thickness: 0.062 in
- 1.5-oz copper traces located on top of the PCB
- 1.5-oz copper ground plane on the bottom of the PCB
- Ten thermal vias (see the recommended land pattern in the *Applications* section of this data sheet)

(3) Maximum power dissipation may be limited by overcurrent protection.

## ELECTRICAL CHARACTERISTICS

T<sub>J</sub> = -55°C to 125°C, V<sub>IN</sub> = 3 V to 6 V (unless otherwise noted)

PARAMETER		TEST CONDITIONS			MIN	TYP	MAX	UNIT
<b>Supply Voltage (V<sub>IN</sub>)</b>								
V <sub>IN</sub>	Input voltage				3		6	V
	Quiescent current	f <sub>S</sub> = 350 kHz,	FSEL ≤ 0.8 V,	RT open		6.2	9.6	mA
		f <sub>S</sub> = 550 kHz,	FSEL ≥ 2.5 V,	RT open,		8.4	12.8	
		Phase pin open						
	Shutdown,		SS/ENA = 0 V			1	1.4	
<b>Under Voltage Lockout (UVLO)</b>								
	Start threshold voltage					2.95	3	V
	Stop threshold voltage				2.7	2.8		
	Hysteresis voltage					0.14		V
	Rising and falling edge deglitch(1)					2.5		μs
<b>Bias Voltage (VBIAS)</b>								
	Output voltage	I(VBIAS) = 0 V			2.7	2.8	2.95	V
	Output current(2)						100	μA
<b>Output Voltage</b>								
V <sub>O</sub>	Output voltage	TPS54311(4)	T <sub>J</sub> = 25°C,	V <sub>IN</sub> = 5 V		0.9		V
			3 V ≤ V <sub>IN</sub> ≤ 6 V,	0 A ≤ I <sub>L</sub> ≤ 3 A,	-40°C ≤ T <sub>J</sub> ≤ 125°C	-2.5%	2.5%	
		TPS54312	T <sub>J</sub> = 25°C,	V <sub>IN</sub> = 5 V		1.2		V
			3 V ≤ V <sub>IN</sub> ≤ 6 V,	0 A ≤ I <sub>L</sub> ≤ 3 A,	-40°C ≤ T <sub>J</sub> ≤ 125°C	-2.5%	2.5%	
		TPS54313(4)	T <sub>J</sub> = 25°C,	V <sub>IN</sub> = 5 V		1.5		V
			3 V ≤ V <sub>IN</sub> ≤ 6 V,	0 A ≤ I <sub>L</sub> ≤ 3 A,	-40°C ≤ T <sub>J</sub> ≤ 125°C	-2.5%	2.5%	
		TPS54314(4)	T <sub>J</sub> = 25°C,	V <sub>IN</sub> = 5 V		1.8		V
	3 V ≤ V <sub>IN</sub> ≤ 6 V,	0 A ≤ I <sub>L</sub> ≤ 3 A,	-40°C ≤ T <sub>J</sub> ≤ 125°C	-2.5%	2.5%			
	TPS54315(4)	T <sub>J</sub> = 25°C,	V <sub>IN</sub> = 5 V		2.5		V	
		3.2 V ≤ V <sub>IN</sub> ≤ 6 V,	0 A ≤ I <sub>L</sub> ≤ 3 A,	-40°C ≤ T <sub>J</sub> ≤ 125°C	-2.5%	2.5%		
	TPS54316(4)	T <sub>J</sub> = 25°C,	V <sub>IN</sub> = 5 V		3.3		V	
		4 V ≤ V <sub>IN</sub> ≤ 6 V,	0 A ≤ I <sub>L</sub> ≤ 3 A,	-40°C ≤ T <sub>J</sub> ≤ 125°C	-2.5%	2.5%		
<b>Regulation</b>								
	Line regulation(1)(3)	I <sub>L</sub> = 1.5 A,	350 ≤ f <sub>S</sub> ≤ 550 kHz,	T <sub>J</sub> = 85°C		0.21		%/V
	Load regulation(1)(3)	I <sub>L</sub> = 0 A to 3 A,	350 ≤ f <sub>S</sub> ≤ 550 kHz,	T <sub>J</sub> = 85°C		0.21		%/A

(1) Specified by design

(2) Static resistive loads only

(3) Specified by the circuit used in Figure 10

(4) Product Preview

## ELECTRICAL CHARACTERISTICS (continued)

T<sub>J</sub> = -55°C to 125°C, V<sub>IN</sub> = 3 V to 6 V (unless otherwise noted)

PARAMETER		TEST CONDITIONS	MIN	TYP	MAX	UNIT
<b>Oscillator</b>						
Internally set free-running frequency range	FSEL ≤ 0.8 V, RT open		265	350	440	kHz
	FSEL ≥ 2.5 V, RT open		440	550	680	
Externally set free-running frequency range	RT = 180 kΩ (1% resistor to AGND) <sup>(1)</sup>		252	280	308	kHz
	RT = 160 kΩ (1% resistor to AGND)		290	312	350	
	RT = 68 kΩ (1% resistor to AGND) <sup>(1)</sup>		663	700	762	
High-level threshold voltage at FSEL			2.5			V
Low-level threshold voltage at FSEL					0.8	V
Pulse duration, FSEL <sup>(1)</sup>			50			ns
Frequency range, FSEL <sup>(1)</sup> (2)			330		700	kHz
Ramp valley <sup>(1)</sup>				0.75		V
Ramp amplitude (peak to peak) <sup>(1)</sup>				1		V
Minimum controllable on time <sup>(1)</sup>					200	ns
Maximum duty cycle <sup>(1)</sup>			90%			
<b>Error Amplifier</b>						
Error-amplifier open-loop voltage gain <sup>(1)</sup>				26		dB
Error-amplifier unity-gain bandwidth <sup>(1)</sup>			3	5		MHz
<b>PWM Comparator</b>						
PWM comparator propagation delay time, PWM comparator input to PH pin (excluding dead time)		10-mV overdrive <sup>(1)</sup>		70	85	ns
<b>Slow-Start/Enable (SS/ENA)</b>						
Enable threshold voltage			0.82	1.2	1.4	V
Enable hysteresis voltage <sup>(1)</sup>				0.03		V
Falling-edge deglitch <sup>(1)</sup>				2.5		μs
Internal slow-start time <sup>(1)</sup>	TPS54311 <sup>(3)</sup>		2.6	3.3	4.1	ms
	TPS54312		3.5	4.5	5.4	
	TPS54313 <sup>(3)</sup>		4.4	5.6	6.7	
	TPS54314 <sup>(3)</sup>		2.6	3.3	4.1	
	TPS54315 <sup>(3)</sup>		3.6	4.7	5.6	
	TPS54316 <sup>(3)</sup>		4.7	6.1	7.6	
Charge current		SS/ENA = 0 V	2.5	5	8	μA
Discharge current		SS/ENA = 0.2 V, V <sub>I</sub> = 2.7 V	1.2	2.3	4	mA
<b>Power Good (PWRGD)</b>						
Power-good threshold voltage		VSENSE falling		90		%V <sub>ref</sub>
Power-good hysteresis voltage <sup>(1)</sup>				3		%V <sub>ref</sub>
Power-good falling edge deglitch <sup>(1)</sup>				35		μs
Output saturation voltage		I <sub>(sink)</sub> = 2.5 mA		0.18	0.3	V
Leakage current		V <sub>I</sub> = 5.5 V			1	μA
<b>Current Limit</b>						
Current-limit trip point	V <sub>I</sub> = 3 V, Output shorted		4	6.5		A
	V <sub>I</sub> = 6 V, Output shorted		4.5	7.5		
Current-limit leading-edge blanking time		<sup>(1)</sup>		100		ns
Current-limit total response time		<sup>(1)</sup>		200		ns

<sup>(1)</sup> Specified by design

<sup>(2)</sup> To ensure proper operation when RC filter is used between external clock and FSEL pin, the recommended values are R ≤ 1 kΩ and C ≤ 68 pF.

<sup>(3)</sup> Product Preview

## ELECTRICAL CHARACTERISTICS (continued)

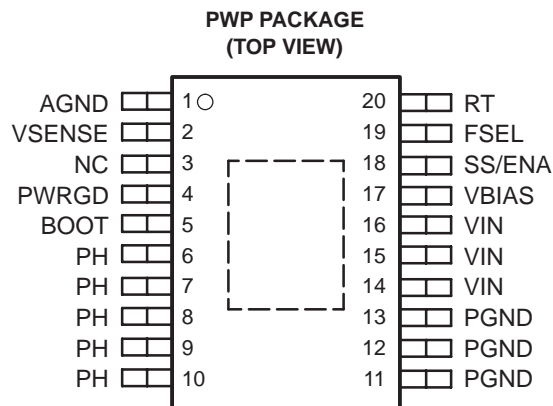
$T_J = -55^\circ\text{C}$  to  $125^\circ\text{C}$ ,  $V_{IN} = 3\text{ V}$  to  $6\text{ V}$  (unless otherwise noted)

PARAMETER	TEST CONDITIONS	MIN	TYP	MAX	UNIT
<b>Thermal Shutdown</b>					
Thermal shutdown trip point <sup>(1)</sup>		135	150	165	$^\circ\text{C}$
Thermal shutdown hysteresis <sup>(1)</sup>			10		$^\circ\text{C}$
<b>Output Power MOSFETs</b>					
$r_{DS(on)}$ Power MOSFET switches	$V_I = 6\text{ V}$ <sup>(2)</sup>		59	88	$\text{m}\Omega$
	$V_I = 3\text{ V}$ <sup>(2)</sup>		85	136	

<sup>(1)</sup> Specified by design

<sup>(2)</sup> Matched MOSFETs, low side  $r_{DS(on)}$  production tested, high side  $r_{DS(on)}$  specified by design

## PIN ASSIGNMENTS

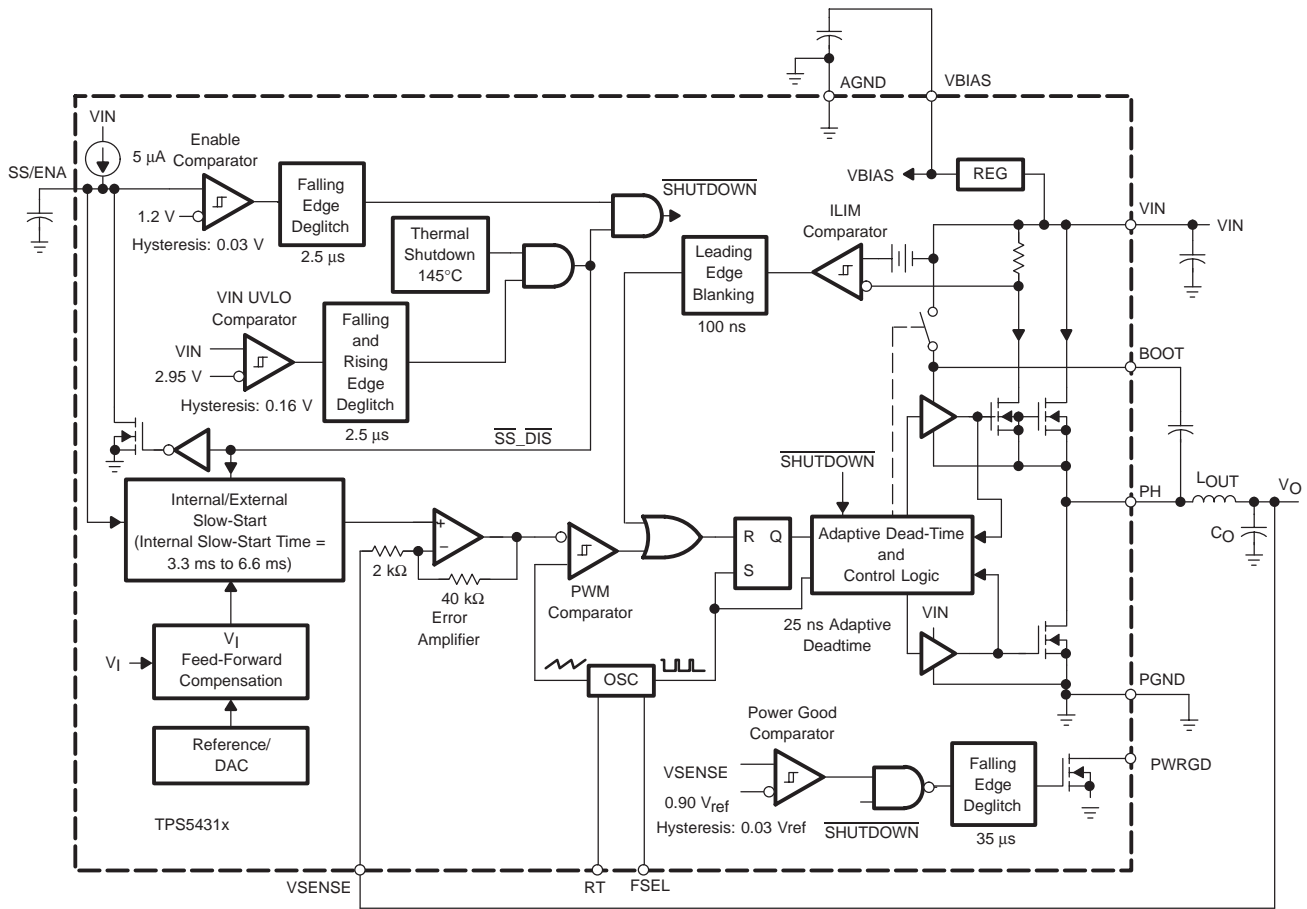


NC – No internal connection

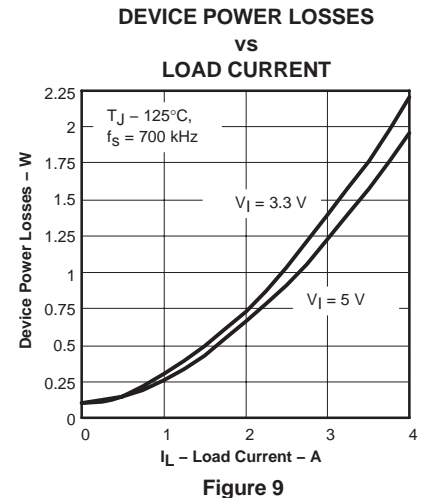
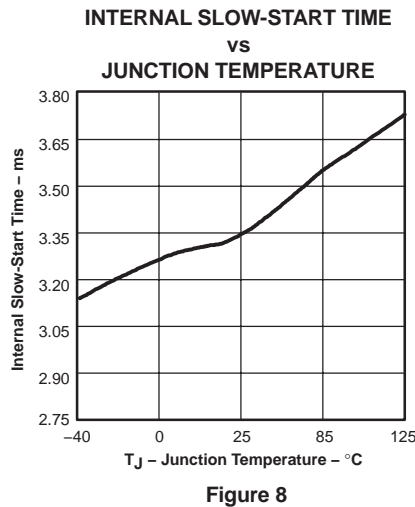
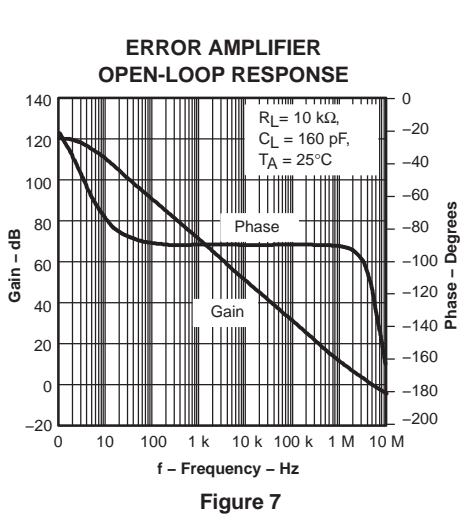
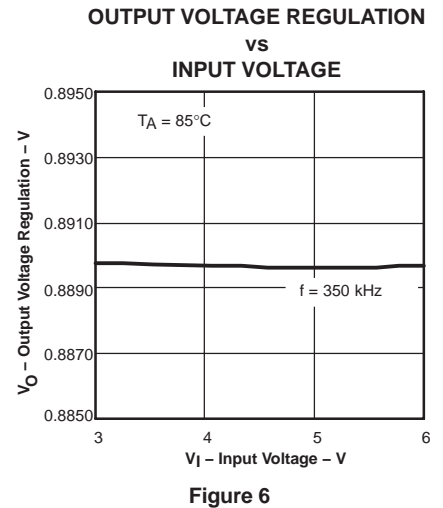
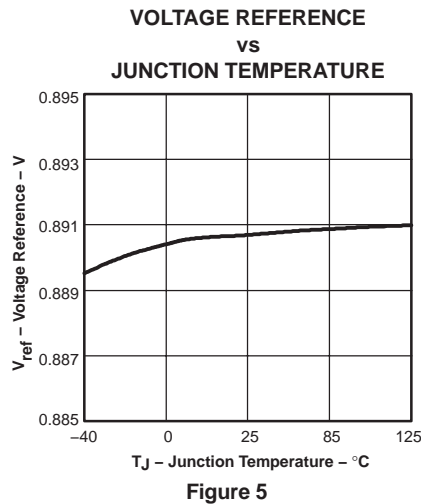
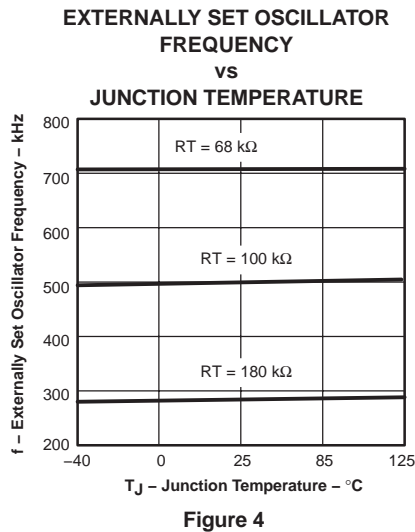
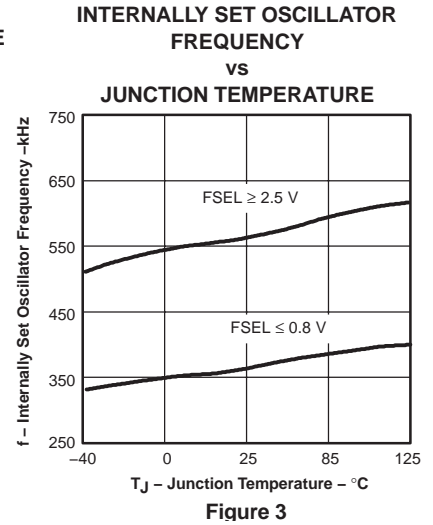
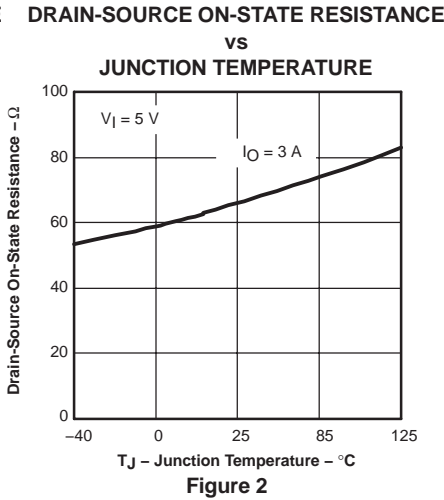
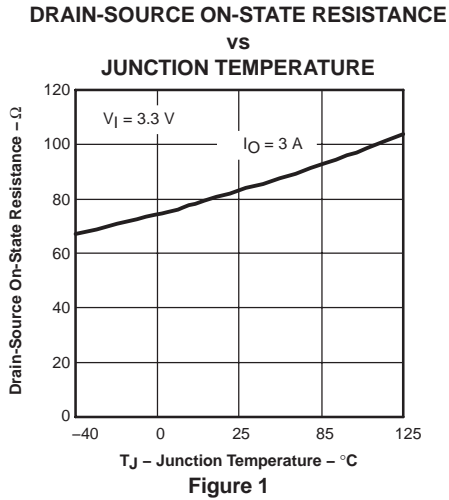
## Terminal Functions

TERMINAL NAME	NO.	DESCRIPTION
AGND	1	Analog ground. Return for compensation network/output divider, slow-start capacitor, VBIAS capacitor, RT resistor, and FSEL pin. Make PowerPAD package connection to AGND.
BOOT	5	Bootstrap input. 0.022- $\mu\text{F}$ to 0.1- $\mu\text{F}$ low-ESR capacitor connected from BOOT to PH generates floating drive for the high-side FET driver.
FSEL	19	Frequency select input. Provides logic input to select between two internally set switching frequencies.
NC	3	No connection
PGND	11–13	Power ground. High-current return for the low-side driver and power MOSFET. Connect PGND with large copper areas to the input and output supply returns and negative terminals of the input and output capacitors.
PH	6–10	Phase input/output. Junction of the internal high- and low-side power MOSFETs and output inductor.
PWRGD	4	Power-good open-drain output. Hi-Z when $V_{SENSE} \geq 90\% V_{ref}$ , otherwise, PWRGD is low. Note that output is low when SS/ENA is low or internal shutdown signal active.
RT	20	Frequency setting resistor input. Connect a resistor from RT to AGND to set the switching frequency, $f_S$ .
SS/ENA	18	Slow-start/enable input/output. Dual function pin that provides logic input to enable/disable device operation and capacitor input to externally set the start-up time.
VBIAS	17	Internal bias regulator output. Supplies regulated voltage to internal circuitry. Bypass VBIAS pin to AGND pin with a high-quality, low-ESR, 0.1- $\mu\text{F}$ to 1- $\mu\text{F}$ ceramic capacitor.
VIN	14–16	Input supply for the power MOSFET switches and internal bias regulator. Bypass VIN pins to PGND pins close to device package with a high-quality, low-ESR, 1- $\mu\text{F}$ to 10- $\mu\text{F}$ ceramic capacitor.
VSENSE	2	Error-amplifier inverting input. Connect directly to output voltage sense point.

FUNCTIONAL BLOCK DIAGRAM



TYPICAL CHARACTERISTICS



## APPLICATION INFORMATION

Figure 10 shows the schematic diagram for a typical TPS54314 application. The TPS54314 (U1) can provide up to 3 A of output current at a nominal output voltage of

1.8 V. For proper thermal performance, the PowerPAD package underneath the TPS54314 integrated circuit must be soldered to the printed circuit board.

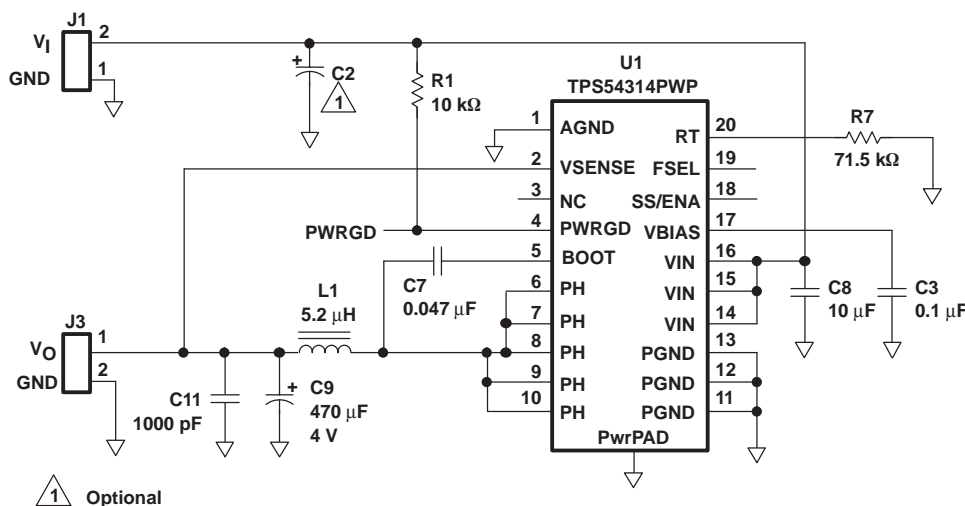


Figure 10. TPS54314 Schematic

### INPUT

The input to the circuit is a nominal 5 Vdc, applied at J1. The optional input filter (C2) is a 220-μF POSCAP capacitor, with a maximum allowable ripple current of 3 A. C8 is the decoupling capacitor for the TPS54314 and must be located as close to the device as possible.

### FEEDBACK CIRCUIT

The output voltage of the converter is fed directly into the VSENSE pin of the TPS54314. The TPS54314 is internally compensated to provide stability of the output under varying line and load conditions.

### OPERATING FREQUENCY

In the application circuit, a 700-kHz operating frequency is selected by leaving FSEL open and connecting a 71.5-kΩ resistor between the RT pin and AGND. Different operating frequencies may be selected by varying the value of R3 using equation 1:

$$R = \frac{500 \text{ kHz}}{\text{Switching Frequency}} \times 100 \text{ k}\Omega \quad (1)$$

Alternately, preset operating frequencies of 350 kHz or 550 kHz may be selected by leaving RT open and connecting the FSEL pin to AGND or VIN, respectively.

### OUTPUT FILTER

The output filter is composed of a 5.2-μH inductor and 470-μF capacitor. The inductor is a low dc-resistance (16-mΩ) type, Sumida CDRH104R-5R2. The capacitor

used is a 4-V POSCAP, with a maximum ESR of 40 mΩ. The output filter components work with the internal compensation network to provide a stable closed-loop response for the converter.

### GROUNDING AND PowerPAD LAYOUT

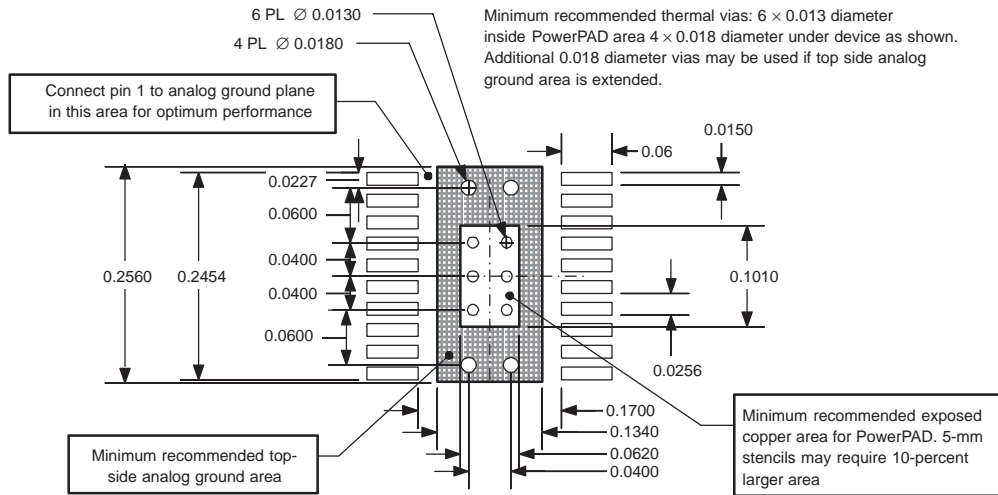
The TPS5431x has two internal grounds (analog and power). Inside the TPS5431x, the analog ground ties to all of the noise-sensitive signals, while the power ground ties to the noisier power signals. The PowerPAD package must be connected directly to AGND. Noise injected between the two grounds can degrade the performance of the TPS5431x, particularly at higher output currents. However, ground noise on an analog ground plane can also cause problems with some of the control and bias signals. For these reasons, separate analog and power ground planes are recommended. These two planes should tie together directly at the IC to reduce noise between the two grounds. The only components that should tie directly to the power ground plane are the input capacitor, the output capacitor, the input voltage decoupling capacitor, and the PGND pins of the TPS5431x. The layout of the TPS54314 evaluation module is representative of a recommended layout for a four-layer board. Documentation for the TPS54314 evaluation module can be found on the TI web site under the TPS54314 product folder and in the application note, (literature number SLVA111).



## LAYOUT CONSIDERATIONS FOR THERMAL PERFORMANCE

For operation at full-rated load current, the analog ground plane must provide an adequate heat-dissipating area. A 3-in by 3-in plane of 1-oz copper is recommended (not mandatory), depending on ambient temperature and airflow. Most applications have larger areas of internal ground plane available, and the PowerPAD package should be connected to the largest area available. Additional areas on the top or bottom layers also help

dissipate heat, and any area available should be used when 3-A or greater operation is desired. Connection from the exposed area of the PowerPAD package to the analog ground-plane layer should be made using 0.013-in diameter vias to avoid solder wicking through the vias. Six vias should be in the PowerPAD area, with four additional vias located under the device package. The size of the vias under the package, but not in the exposed thermal-pad area, can be increased to 0.018 in. Additional vias beyond the ten recommended that enhance thermal performance should be included in areas not under the device package.



**Figure 11. Recommended Land Pattern for 20-Pin PWP PowerPAD™ Package**

PERFORMANCE GRAPHS

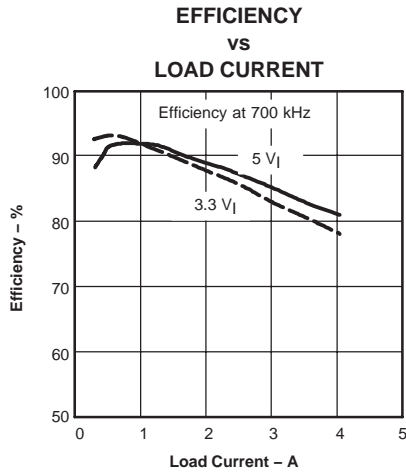


Figure 12

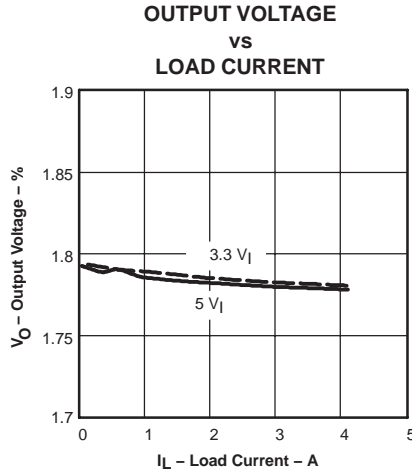


Figure 13

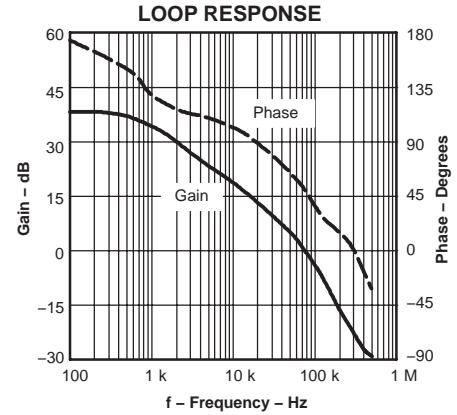


Figure 14

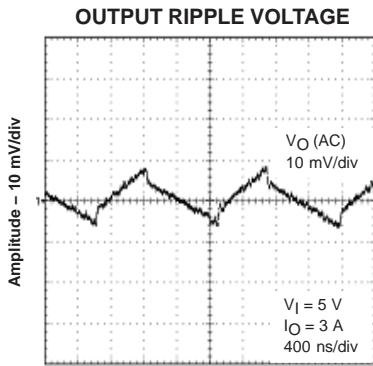


Figure 15

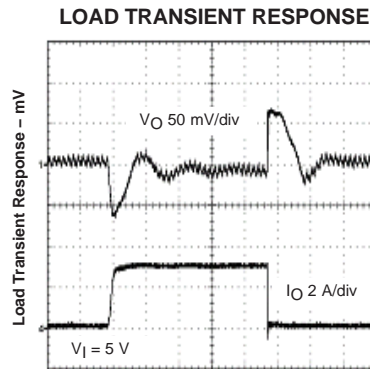


Figure 16

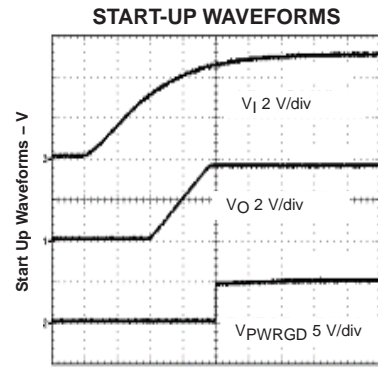


Figure 17

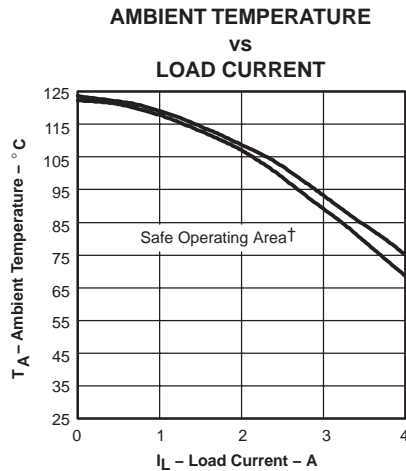


Figure 18

† Safe operating area is applicable to the test board conditions listed in the *Dissipation Rating Table* section of this data sheet.

## DETAILED DESCRIPTION

### Undervoltage Lockout (UVLO)

The TPS5431x incorporates an UVLO circuit to keep the device disabled when the input voltage ( $V_{IN}$ ) is insufficient. During power up, internal circuits are held inactive until  $V_{IN}$  exceeds the nominal UVLO threshold voltage of 2.95 V. Once the UVLO start threshold is reached, device start-up begins. The device operates until  $V_{IN}$  falls below the nominal UVLO stop threshold of 2.8 V. Hysteresis in the UVLO comparator and a 2.5- $\mu$ s rising- and falling-edge deglitch circuit reduce the likelihood of shutting the device down due to noise on  $V_{IN}$ .

### Slow-Start/Enable (SS/ENA)

The SS/ENA pin provides two functions. First, the pin acts as an enable (shutdown) control by keeping the device turned off until the voltage exceeds the start threshold voltage of approximately 1.2 V. When SS/ENA exceeds the enable threshold, device start-up begins. The reference voltage fed to the error amplifier is linearly ramped up from 0 V to 0.891 V in 3.35 ms. Similarly, the converter output voltage reaches regulation in approximately 3.35 ms. Voltage hysteresis and a 2.5- $\mu$ s falling-edge deglitch circuit reduce the likelihood of triggering the enable due to noise.

DEVICE	OUTPUT VOLTAGE	SLOW START
TPS54311	0.9 V	3.3 ms
TPS54312	1.2 V	4.5 ms
TPS54313	1.5 V	5.6 ms
TPS54314	1.8 V	3.3 ms
TPS54315	2.5 V	4.7 ms
TPS54316	3.3 V	6.1 ms

The second function of the SS/ENA pin provides an external means of extending the slow-start time with a low-value capacitor connected between SS/ENA and AGND. Adding a capacitor to the SS/ENA pin has two effects on start-up. First, a delay occurs between release of SS/ENA and start-up of the output. The delay is proportional to the slow-start capacitor value and lasts until SS/ENA reaches the enable threshold. The start-up delay is approximately:

$$t_d = C_{(SS)} \times \frac{1.2 \text{ V}}{5 \mu\text{A}} \quad (2)$$

Second, as the output becomes active, a brief ramp-up at the internal slow-start rate may be observed before the externally set slow-start rate takes control and the output rises at a rate proportional to the slow-start capacitor. The slow-start time set by the capacitor is approximately:

$$t_{(SS)} = C_{(SS)} \times \frac{0.7 \text{ V}}{5 \mu\text{A}} \quad (3)$$

The actual slow-start is likely to be less than that started in equation 3, due to the brief ramp-up at the internal rate.

### VBIAS Regulator (VBIAS)

The VBIAS regulator provides internal analog and digital blocks, with a stable supply voltage over variations in junction temperature and input voltage. A high-quality, low-ESR, ceramic bypass capacitor is required on the VBIAS pin. X7R- or X5R-grade dielectrics are recommended because their values are more stable over temperature. The bypass capacitor should be placed close to the VBIAS pin and returned to AGND. External loading on VBIAS is allowed, with the caution that internal circuits require a minimum VBIAS of 2.7 V, and external loads on VBIAS with ac or digital switching noise may degrade performance. The VBIAS pin may be useful as a reference voltage for external circuits.

### Voltage Reference

The voltage-reference system produces a precise  $V_{ref}$  signal by scaling the output of a temperature-table band-gap circuit. During manufacturing, the band-gap and scaling circuits are trimmed to produce 0.891 V at the output of the error amplifier, with the amplifier connected as a voltage follower. The trim procedure adds to the high-precision regulation of the TPS5431x, since it cancels offset errors in the scale and error-amplifier circuits.

### Oscillator and PWM Ramp

The oscillator frequency can be set to internally-fixed values of 350 kHz or 550 kHz, using the FSEL pin as a static digital input. If a different frequency of operation is required for the application, the oscillator frequency can be externally adjusted from 280 kHz to 700 kHz by connecting a resistor to the RT pin to ground and floating the FSEL pin. The switching frequency is approximated by the following equation, where R is the resistance from RT to AGND:

$$\text{Switching frequency} = \frac{100 \text{ k}\Omega}{R} \times 500 \text{ kHz} \quad (4)$$

External synchronization of the PWM ramp is possible over the frequency range of 330 kHz to 700 kHz by driving a synchronization signal into FSEL and connecting a resistor from RT to AGND. Choose an RT resistor that sets the free-running frequency to 80% of the synchronization signal. Table 1 shows the frequency-selection configurations.

**Table 1. Summary of Frequency Selection Configurations**

SWITCHING FREQUENCY	FSEL PIN	RT PIN
350 kHz, internally set	Float or AGND	Float
550 kHz, internally set	≥ 2.5 V	Float
Externally set 280 kHz to 700 kHz	Float	R = 68 kΩ to 180 kΩ
Externally synchronized frequency <sup>(1)</sup>	Synchronization signal	R = RT value for 80% of external synchronization frequency

(1) To ensure proper operation when the RC filter is used between external clock and FSEL pin, the recommended values are  $R \leq 1 \text{ k}\Omega$  and  $C \leq 68 \text{ pF}$ .

### Error Amplifier

The high-performance, wide-bandwidth, voltage error amplifier is gain limited to provide internal compensation of the control loop. The user is given limited flexibility in choosing output L and C filter components. Inductance values of 4.7  $\mu\text{H}$  to 10  $\mu\text{H}$  are typical and available from several vendors. The resulting designs exhibit good noise and ripple characteristics, along with exceptional transient response. Transient recovery times typically are in the range of 10  $\mu\text{s}$  to 20  $\mu\text{s}$ .

### PWM Control

Signals from the error amplifier output, oscillator, and current-limit circuit are processed by the PWM control logic. Referring to the internal block diagram, the control logic includes the PWM comparator, OR gate, PWM latch, and portions of the adaptive dead-time and control-logic block. During steady-state operation below the current-limit threshold, the PWM comparator output and oscillator pulse train alternately reset and set the PWM latch. Once the PWM latch is set, the low-side FET remains on for a minimum duration set by the oscillator pulse duration. During this period, the PWM ramp discharges rapidly to its valley voltage. When the ramp begins to charge back up, the low-side FET turns off and high-side FET turns on. As the PWM ramp voltage exceeds the error-amplifier output voltage, the PWM comparator resets the latch, thus turning off the high-side FET and turning on the low-side FET. The low-side FET remains on until the next oscillator pulse discharges the PWM ramp.

During transient conditions, the error-amplifier output could be below the PWM ramp valley voltage or above the PWM peak voltage. If the error amplifier is high, the PWM latch is never reset and the high-side FET remains on until the oscillator pulse signals the control logic to turn the high-side FET off and the low-side FET on. The device operates at its maximum duty cycle until the output voltage

rises to the regulation set point, setting VSENSE to approximately the same voltage as  $V_{\text{ref}}$ . If the error amplifier output is low, the PWM latch is reset continually and the high-side FET does not turn on. The low-side FET remains on until the VSENSE voltage decreases to a range that allows the PWM comparator to change states. The TPS5431x is capable of sinking current continuously until the output reaches the regulation set point.

If the current-limit comparator trips for longer than 100 ns, the PWM latch resets before the PWM ramp exceeds the error-amplifier output. The high-side FET turns off and low-side FET turns on to decrease the energy in the output inductor and consequently the output current. This process is repeated each cycle in which the current-limit comparator is tripped.

### Dead-Time Control and MOSFET Drivers

Adaptive dead-time control prevents shoot-through current from flowing in both N-channel power MOSFETs during the switching transitions by actively controlling the turn-on times of the MOSFET drivers. The high-side driver does not turn on until the gate drive voltage to the low-side FET is below 2 V. The low-side driver does not turn on until the voltage at the gate of the high-side MOSFETs is below 2 V. The high-side and low-side drivers are designed with 300-mA source and sink capability to quickly drive the power MOSFET gates. The low-side driver is supplied from VIN, while the high-side drive is supplied from the BOOT pin. A bootstrap circuit uses an external BOOT capacitor and an internal 2.5- $\Omega$  bootstrap switch connected between the VIN and BOOT pins. The integrated bootstrap switch improves drive efficiency and reduces external component count.

### Overcurrent Protection

The cycle-by-cycle current limiting is achieved by sensing the current flowing through the high-side MOSFET and differential amplifier and comparing it to the preset overcurrent threshold. The high-side MOSFET is turned off within 200 ns of reaching the current-limit threshold. A 100-ns leading-edge blanking circuit prevents false tripping of the current limit. Current limit detection occurs only when current flows from VIN to PH when sourcing current to the output filter. Load protection during current-sink operation is provided by thermal shutdown.

### Thermal Shutdown

The device uses the thermal shutdown to turn off the power MOSFETs and disable the controller if the junction temperature exceeds 150°C. The device is released from shutdown when the junction temperature decreases to 10°C below the thermal shutdown trip point and starts up under control of the slow-start circuit. Thermal shutdown provides protection when an overload condition is sustained for several milliseconds. With a persistent fault condition, the device cycles continuously – starting up by

control of the soft-start circuit, heating up due to the fault, and then shutting down upon reaching the thermal shutdown point.

### **Power Good (PWRGD)**

The power-good circuit monitors for undervoltage conditions on VSENSE. If the voltage on VSENSE is 10% below the reference voltage, the open-drain PWRGD

output is pulled low. PWRGD also is pulled low if VIN is less than the UVLO threshold, or SS/ENA is low, or thermal shutdown is asserted. When VIN = UVLO threshold, SS/ENA = enable threshold, and VSENSE > 90% of  $V_{ref}$ , the open-drain output of the PWRGD pin is high. A hysteresis voltage equal to 3% of  $V_{ref}$  and a 35- $\mu$ s falling-edge deglitch circuit prevent tripping of the power-good comparator due to high-frequency noise.

**PACKAGING INFORMATION**

Orderable Device	Status (1)	Package Type	Package Drawing	Pins	Package Qty	Eco Plan (2)	Lead/Ball Finish	MSL Peak Temp (3)	Op Temp (°C)	Top-Side Markings (4)	Samples
TPS54311MPWPREP	ACTIVE	HTSSOP	PWP	20	2000	Green (RoHS & no Sb/Br)	CU NIPDAU	Level-2-260C-1 YEAR	-55 to 125	TPS54311	<a href="#">Samples</a>
TPS54312MPWPREP	ACTIVE	HTSSOP	PWP	20	2000	Green (RoHS & no Sb/Br)	CU NIPDAU	Level-2-260C-1 YEAR	-55 to 125	TPS54312	<a href="#">Samples</a>
TPS54313MPWPREP	ACTIVE	HTSSOP	PWP	20	2000	Green (RoHS & no Sb/Br)	CU NIPDAU	Level-2-260C-1 YEAR	-55 to 125	TPS54313	<a href="#">Samples</a>
TPS54314MPWPREP	ACTIVE	HTSSOP	PWP	20	2000	Green (RoHS & no Sb/Br)	CU NIPDAU	Level-2-260C-1 YEAR	-55 to 125	TPS54314	<a href="#">Samples</a>
TPS54315MPWPREP	ACTIVE	HTSSOP	PWP	20	2000	Green (RoHS & no Sb/Br)	CU NIPDAU	Level-2-260C-1 YEAR	-55 to 125	TPS54315	<a href="#">Samples</a>
TPS54316MPWPREP	ACTIVE	HTSSOP	PWP	20	2000	Green (RoHS & no Sb/Br)	CU NIPDAU	Level-2-260C-1 YEAR	-55 to 125	TPS54316	<a href="#">Samples</a>
V62/06657-01XE	ACTIVE	HTSSOP	PWP	20	2000	Green (RoHS & no Sb/Br)	CU NIPDAU	Level-2-260C-1 YEAR	-55 to 125	TPS54311	<a href="#">Samples</a>
V62/06657-02XE	ACTIVE	HTSSOP	PWP	20	2000	Green (RoHS & no Sb/Br)	CU NIPDAU	Level-2-260C-1 YEAR	-55 to 125	TPS54312	<a href="#">Samples</a>
V62/06657-03XE	ACTIVE	HTSSOP	PWP	20	2000	Green (RoHS & no Sb/Br)	CU NIPDAU	Level-2-260C-1 YEAR	-55 to 125	TPS54313	<a href="#">Samples</a>
V62/06657-04XE	ACTIVE	HTSSOP	PWP	20	2000	Green (RoHS & no Sb/Br)	CU NIPDAU	Level-2-260C-1 YEAR	-55 to 125	TPS54314	<a href="#">Samples</a>
V62/06657-05XE	ACTIVE	HTSSOP	PWP	20	2000	Green (RoHS & no Sb/Br)	CU NIPDAU	Level-2-260C-1 YEAR	-55 to 125	TPS54315	<a href="#">Samples</a>
V62/06657-06XE	ACTIVE	HTSSOP	PWP	20	2000	Green (RoHS & no Sb/Br)	CU NIPDAU	Level-2-260C-1 YEAR	-55 to 125	TPS54316	<a href="#">Samples</a>

(1) The marketing status values are defined as follows:

**ACTIVE:** Product device recommended for new designs.

**LIFEBUY:** TI has announced that the device will be discontinued, and a lifetime-buy period is in effect.

**NRND:** Not recommended for new designs. Device is in production to support existing customers, but TI does not recommend using this part in a new design.

**PREVIEW:** Device has been announced but is not in production. Samples may or may not be available.

**OBSOLETE:** TI has discontinued the production of the device.

(2) Eco Plan - The planned eco-friendly classification: Pb-Free (RoHS), Pb-Free (RoHS Exempt), or Green (RoHS & no Sb/Br) - please check <http://www.ti.com/productcontent> for the latest availability information and additional product content details.

**TBD:** The Pb-Free/Green conversion plan has not been defined.

**Pb-Free (RoHS):** TI's terms "Lead-Free" or "Pb-Free" mean semiconductor products that are compatible with the current RoHS requirements for all 6 substances, including the requirement that lead not exceed 0.1% by weight in homogeneous materials. Where designed to be soldered at high temperatures, TI Pb-Free products are suitable for use in specified lead-free processes.

**Pb-Free (RoHS Exempt):** This component has a RoHS exemption for either 1) lead-based flip-chip solder bumps used between the die and package, or 2) lead-based die adhesive used between the die and leadframe. The component is otherwise considered Pb-Free (RoHS compatible) as defined above.

**Green (RoHS & no Sb/Br):** TI defines "Green" to mean Pb-Free (RoHS compatible), and free of Bromine (Br) and Antimony (Sb) based flame retardants (Br or Sb do not exceed 0.1% by weight in homogeneous material)

<sup>(3)</sup> MSL, Peak Temp. -- The Moisture Sensitivity Level rating according to the JEDEC industry standard classifications, and peak solder temperature.

<sup>(4)</sup> Multiple Top-Side Markings will be inside parentheses. Only one Top-Side Marking contained in parentheses and separated by a "~" will appear on a device. If a line is indented then it is a continuation of the previous line and the two combined represent the entire Top-Side Marking for that device.

**Important Information and Disclaimer:** The information provided on this page represents TI's knowledge and belief as of the date that it is provided. TI bases its knowledge and belief on information provided by third parties, and makes no representation or warranty as to the accuracy of such information. Efforts are underway to better integrate information from third parties. TI has taken and continues to take reasonable steps to provide representative and accurate information but may not have conducted destructive testing or chemical analysis on incoming materials and chemicals. TI and TI suppliers consider certain information to be proprietary, and thus CAS numbers and other limited information may not be available for release.

In no event shall TI's liability arising out of such information exceed the total purchase price of the TI part(s) at issue in this document sold by TI to Customer on an annual basis.

**OTHER QUALIFIED VERSIONS OF TPS54311-EP, TPS54312-EP, TPS54313-EP, TPS54314-EP, TPS54315-EP, TPS54316-EP :**

● Catalog: [TPS54311](#), [TPS54312](#), [TPS54313](#), [TPS54314](#), [TPS54315](#), [TPS54316](#)

● Automotive: [TPS54312-Q1](#), [TPS54314-Q1](#), [TPS54315-Q1](#), [TPS54316-Q1](#)

NOTE: Qualified Version Definitions:

- Catalog - TI's standard catalog product
- Automotive - Q100 devices qualified for high-reliability automotive applications targeting zero defects

# MECHANICAL DATA

PWP (R-PDSO-G20)

PowerPAD™ PLASTIC SMALL OUTLINE



4073225-4/1 05/11

- NOTES:
- All linear dimensions are in millimeters.
  - This drawing is subject to change without notice.
  - Body dimensions do not include mold flash or protrusions. Mold flash and protrusion shall not exceed 0.15 per side.
  - This package is designed to be soldered to a thermal pad on the board. Refer to Technical Brief, PowerPad Thermally Enhanced Package, Texas Instruments Literature No. SLMA002 for information regarding recommended board layout. This document is available at [www.ti.com](http://www.ti.com) <<http://www.ti.com>>.
  - See the additional figure in the Product Data Sheet for details regarding the exposed thermal pad features and dimensions.
  - Falls within JEDEC MO-153

PowerPAD is a trademark of Texas Instruments.



## THERMAL PAD MECHANICAL DATA

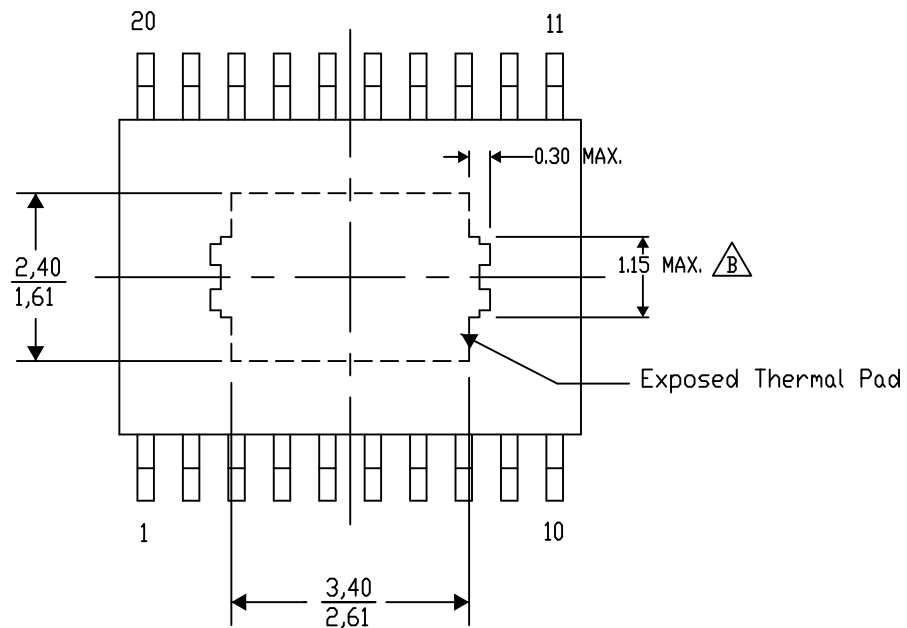
### PWP (R-PDSO-G20) PowerPAD™ SMALL PLASTIC OUTLINE

#### THERMAL INFORMATION

This PowerPAD™ package incorporates an exposed thermal pad that is designed to be attached to a printed circuit board (PCB). The thermal pad must be soldered directly to the PCB. After soldering, the PCB can be used as a heatsink. In addition, through the use of thermal vias, the thermal pad can be attached directly to the appropriate copper plane shown in the electrical schematic for the device, or alternatively, can be attached to a special heatsink structure designed into the PCB. This design optimizes the heat transfer from the integrated circuit (IC).

For additional information on the PowerPAD package and how to take advantage of its heat dissipating abilities, refer to Technical Brief, PowerPAD Thermally Enhanced Package, Texas Instruments Literature No. SLMA002 and Application Brief, PowerPAD Made Easy, Texas Instruments Literature No. SLMA004. Both documents are available at [www.ti.com](http://www.ti.com).

The exposed thermal pad dimensions for this package are shown in the following illustration.



Top View

Exposed Thermal Pad Dimensions

4206332-15/AD 01/13

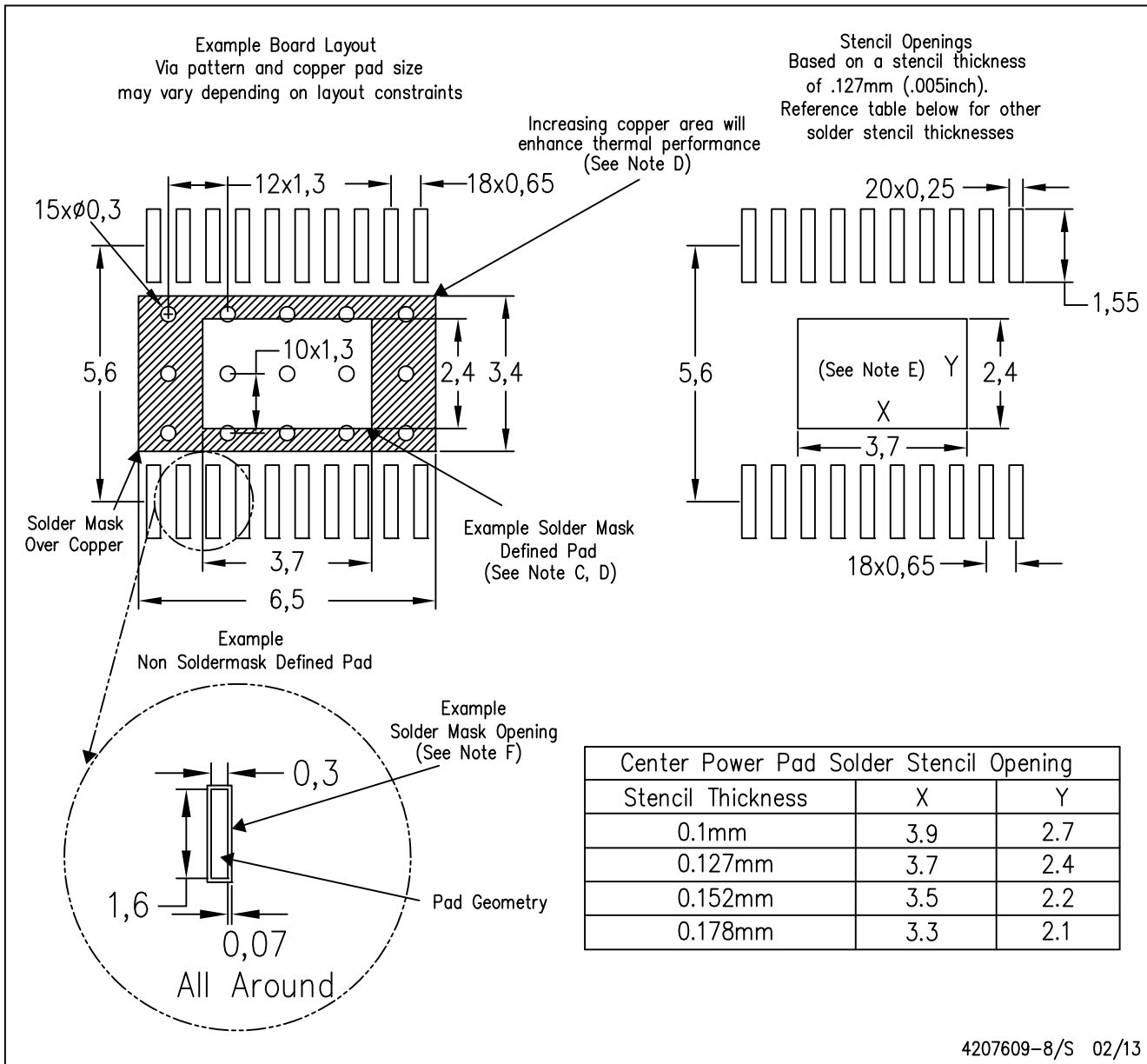
NOTE: A. All linear dimensions are in millimeters

 Exposed tie strap features may not be present.

PowerPAD is a trademark of Texas Instruments

PWP (R-PDSO-G20)

PowerPAD™ PLASTIC SMALL OUTLINE



- NOTES:
- A. All linear dimensions are in millimeters.
  - B. This drawing is subject to change without notice.
  - C. Customers should place a note on the circuit board fabrication drawing not to alter the center solder mask defined pad.
  - D. This package is designed to be soldered to a thermal pad on the board. Refer to Technical Brief, PowerPAD Thermally Enhanced Package, Texas Instruments Literature No. SLMA002, SLMA004, and also the Product Data Sheets for specific thermal information, via requirements, and recommended board layout. These documents are available at [www.ti.com](http://www.ti.com) <<http://www.ti.com>>. Publication IPC-7351 is recommended for alternate designs.
  - E. Laser cutting apertures with trapezoidal walls and also rounding corners will offer better paste release. Customers should contact their board assembly site for stencil design recommendations. Example stencil design based on a 50% volumetric metal load solder paste. Refer to IPC-7525 for other stencil recommendations.
  - F. Customers should contact their board fabrication site for solder mask tolerances between and around signal pads.

## IMPORTANT NOTICE

Texas Instruments Incorporated and its subsidiaries (TI) reserve the right to make corrections, enhancements, improvements and other changes to its semiconductor products and services per JESD46, latest issue, and to discontinue any product or service per JESD48, latest issue. Buyers should obtain the latest relevant information before placing orders and should verify that such information is current and complete. All semiconductor products (also referred to herein as "components") are sold subject to TI's terms and conditions of sale supplied at the time of order acknowledgment.

TI warrants performance of its components to the specifications applicable at the time of sale, in accordance with the warranty in TI's terms and conditions of sale of semiconductor products. Testing and other quality control techniques are used to the extent TI deems necessary to support this warranty. Except where mandated by applicable law, testing of all parameters of each component is not necessarily performed.

TI assumes no liability for applications assistance or the design of Buyers' products. Buyers are responsible for their products and applications using TI components. To minimize the risks associated with Buyers' products and applications, Buyers should provide adequate design and operating safeguards.

TI does not warrant or represent that any license, either express or implied, is granted under any patent right, copyright, mask work right, or other intellectual property right relating to any combination, machine, or process in which TI components or services are used. Information published by TI regarding third-party products or services does not constitute a license to use such products or services or a warranty or endorsement thereof. Use of such information may require a license from a third party under the patents or other intellectual property of the third party, or a license from TI under the patents or other intellectual property of TI.

Reproduction of significant portions of TI information in TI data books or data sheets is permissible only if reproduction is without alteration and is accompanied by all associated warranties, conditions, limitations, and notices. TI is not responsible or liable for such altered documentation. Information of third parties may be subject to additional restrictions.

Resale of TI components or services with statements different from or beyond the parameters stated by TI for that component or service voids all express and any implied warranties for the associated TI component or service and is an unfair and deceptive business practice. TI is not responsible or liable for any such statements.

Buyer acknowledges and agrees that it is solely responsible for compliance with all legal, regulatory and safety-related requirements concerning its products, and any use of TI components in its applications, notwithstanding any applications-related information or support that may be provided by TI. Buyer represents and agrees that it has all the necessary expertise to create and implement safeguards which anticipate dangerous consequences of failures, monitor failures and their consequences, lessen the likelihood of failures that might cause harm and take appropriate remedial actions. Buyer will fully indemnify TI and its representatives against any damages arising out of the use of any TI components in safety-critical applications.

In some cases, TI components may be promoted specifically to facilitate safety-related applications. With such components, TI's goal is to help enable customers to design and create their own end-product solutions that meet applicable functional safety standards and requirements. Nonetheless, such components are subject to these terms.

No TI components are authorized for use in FDA Class III (or similar life-critical medical equipment) unless authorized officers of the parties have executed a special agreement specifically governing such use.

Only those TI components which TI has specifically designated as military grade or "enhanced plastic" are designed and intended for use in military/aerospace applications or environments. Buyer acknowledges and agrees that any military or aerospace use of TI components which have **not** been so designated is solely at the Buyer's risk, and that Buyer is solely responsible for compliance with all legal and regulatory requirements in connection with such use.

TI has specifically designated certain components as meeting ISO/TS16949 requirements, mainly for automotive use. In any case of use of non-designated products, TI will not be responsible for any failure to meet ISO/TS16949.

### Products

Audio	<a href="http://www.ti.com/audio">www.ti.com/audio</a>
Amplifiers	<a href="http://amplifier.ti.com">amplifier.ti.com</a>
Data Converters	<a href="http://dataconverter.ti.com">dataconverter.ti.com</a>
DLP® Products	<a href="http://www.dlp.com">www.dlp.com</a>
DSP	<a href="http://dsp.ti.com">dsp.ti.com</a>
Clocks and Timers	<a href="http://www.ti.com/clocks">www.ti.com/clocks</a>
Interface	<a href="http://interface.ti.com">interface.ti.com</a>
Logic	<a href="http://logic.ti.com">logic.ti.com</a>
Power Mgmt	<a href="http://power.ti.com">power.ti.com</a>
Microcontrollers	<a href="http://microcontroller.ti.com">microcontroller.ti.com</a>
RFID	<a href="http://www.ti-rfid.com">www.ti-rfid.com</a>
OMAP Applications Processors	<a href="http://www.ti.com/omap">www.ti.com/omap</a>
Wireless Connectivity	<a href="http://www.ti.com/wirelessconnectivity">www.ti.com/wirelessconnectivity</a>

### Applications

Automotive and Transportation	<a href="http://www.ti.com/automotive">www.ti.com/automotive</a>
Communications and Telecom	<a href="http://www.ti.com/communications">www.ti.com/communications</a>
Computers and Peripherals	<a href="http://www.ti.com/computers">www.ti.com/computers</a>
Consumer Electronics	<a href="http://www.ti.com/consumer-apps">www.ti.com/consumer-apps</a>
Energy and Lighting	<a href="http://www.ti.com/energy">www.ti.com/energy</a>
Industrial	<a href="http://www.ti.com/industrial">www.ti.com/industrial</a>
Medical	<a href="http://www.ti.com/medical">www.ti.com/medical</a>
Security	<a href="http://www.ti.com/security">www.ti.com/security</a>
Space, Avionics and Defense	<a href="http://www.ti.com/space-avionics-defense">www.ti.com/space-avionics-defense</a>
Video and Imaging	<a href="http://www.ti.com/video">www.ti.com/video</a>

### TI E2E Community

[e2e.ti.com](http://e2e.ti.com)