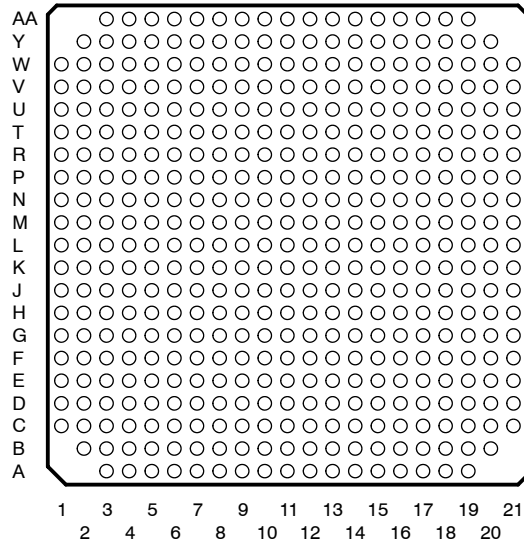


- **Highest Performance Fixed-Point Digital Signal Processor (DSP) SM320C6201**
 - 6.67-ns Instruction Cycle Time
 - 150-MHz Clock Rate
 - Eight 32-Bit Instructions/Cycle
 - 1200 MIPS
- **Highest Performance Fixed-Point Digital Signal Processor (DSP) SMJ320C6201B**
 - 6.67-ns Instruction Cycle Time
 - 150-MHz Clock Rate
 - Eight 32-Bit Instructions/Cycle
 - 1200 MIPS
- **VelociTI™ Advanced Very Long Instruction Word (VLIW) 'C6200 CPU Core**
 - Eight Independent Functional Units:
 - Six ALUs (32-/40-Bit)
 - Two 16-Bit Multipliers (32-Bit Results)
 - Load-Store Architecture With 32 32-Bit General-Purpose Registers
 - Instruction Packing Reduces Code Size
 - All Instructions Conditional
- **Instruction Set Features**
 - Byte-Addressable (8-, 16-, 32-Bit Data)
 - 32-Bit Address Range
 - 8-Bit Overflow Protection
 - Saturation
 - Bit-Field Extract, Set, Clear
 - Bit-Counting
 - Normalization
- **1M-Bit On-Chip SRAM**
 - 512K-Bit Internal Program/Cache (16K 32-Bit Instructions)
 - 512K-Bit Dual-Access Internal Data (64K Bytes) Organized as a Single Block ('6201)
 - 512K-Bit Dual-Access Internal Data (64K Bytes) Organized as Two Blocks for Improved Concurrency ('6201B)
- **32-Bit External Memory Interface (EMIF)**
 - Glueless Interface to Synchronous Memories: SDRAM and SBSRAM
 - Glueless Interface to Asynchronous Memories: SRAM and EPROM
- **Four-Channel Bootloading Direct-Memory-Access (DMA) Controller with an Auxiliary Channel**

GLE and GLP PACKAGES
(BOTTOM VIEW)



- **16-Bit Host-Port Interface (HPI)**
 - Access to Entire Memory Map
- **Two Multichannel Buffered Serial Ports (McBSPs)**
 - Direct Interface to T1/E1, MVIP, SCSPA Framers
 - ST-Bus-Switching Compatible
 - Up to 256 Channels Each
 - AC97-Compatible
 - Serial Peripheral Interface (SPI) Compatible (Motorola™)
- **Two 32-Bit General-Purpose Timers**
- **Flexible Phase-Locked Loop (PLL) Clock Generator**
- **IEEE-1149.1 (JTAG†) Boundary-Scan Compatible**
- **429-Pin BGA Package (GLE Suffix) ('6201)**
- **429-Pin BGA Package (GLP Suffix) ('6201B)**
- **CMOS Technology**
 - 0.25-μm/5-Level Metal Process ('6201)
 - 0.18-μm/5-Level Metal Process ('6201B)
- **3.3-V I/Os, 2.5-V Internal ('6201)**
- **3.3-V I/Os, 1.8-V Internal ('6201B)**



Please be aware that an important notice concerning availability, standard warranty, and use in critical applications of Texas Instruments semiconductor products and disclaimers thereto appears at the end of this data sheet.

VelociTI is a trademark of Texas Instruments Incorporated.

Motorola is a trademark of Motorola, Inc.

† IEEE Standard 1149.1-1990 Standard-Test-Access Port and Boundary Scan Architecture.

UNLESS OTHERWISE NOTED this document contains PRODUCTION DATA information current as of publication date. Products conform to specifications per the terms of Texas Instruments standard warranty. Production processing does not necessarily include testing of all parameters.



SM320C6201, SMJ320C6201B DIGITAL SIGNAL PROCESSORS

SGUS028A - NOVEMBER 1998 - REVISED JANUARY 1999

Signal Descriptions

SIGNAL NAME	NO.	TYPE†	DESCRIPTION
CLOCK/PLL			
CLKIN	A14	I	Clock Input
CLKOUT1	Y6	O	Clock output at full device speed
CLKOUT2	V9	O	Clock output at half of device speed
CLKMODE1	B17	I	Clock mode select • Selects whether the output clock frequency = input clock freq x4 or x1
CLKMODE0	C17		
PLLFREQ3	C13	I	PLL frequency range (3, 2, and 1) • Selects one of three frequency ranges bounding the CLKOUT1 signal. • CLKOUT1 frequency determines the 3-bit value for the PLLFREQ pins.
PLLFREQ2	G11		
PLLFREQ1	F11		
PLLV‡	D12	A§	PLL analog V _{CC} connection for the low-pass filter
PLLG‡	G10	A§	PLL analog GND connection for the low-pass filter
PLLF	C12	A§	PLL low-pass filter connection to external components and a bypass capacitor
JTAG EMULATION			
TMS	K19	I	JTAG test port mode select (features an internal pull-up)
TDO	R12	O/Z	JTAG test port data out
TDI	R13	I	JTAG test port data in (features an internal pull-up)
TCK	M20	I	JTAG test port clock
TRST	N18	I	JTAG test port reset (features an internal pull-down)
EMU1	R20	I/O/Z	Emulation pin 1, pull-up with a dedicated 20-kΩ resistor
EMU0	T18	I/O/Z	Emulation pin 0, pull-up with a dedicated 20-kΩ resistor
CONTROL			
RESET	J20	I	Device reset
NMI	K21	I	Nonmaskable interrupt • Edge-driven (rising edge)
EXT_INT7	R16	I	External interrupts • Edge-driven (rising edge)
EXT_INT6	P20		
EXT_INT5	R15		
EXT_INT4	R18		
IACK	R11	O	Interrupt acknowledge for all active interrupts serviced by the CPU
INUM3	T19	O	Active interrupt identification number • Valid during IACK for all active interrupts (not just external) • Encoding order follows the interrupt service fetch packet ordering
INUM2	T20		
INUM1	T14		
INUM0	T16		
LENDIAN	G20	I	If high, selects little-endian byte/half-word addressing order within a word If low, selects big-endian addressing
PD	D19	O	Power-down mode 3 (active if high)

† I = Input, O = Output, Z = High Impedance, S = Supply Voltage, GND = Ground

‡ PLLV and PLLG signals are not part of external voltage supply or ground. See the CLOCK/PLL documentation for information on how to connect those pins.

§ A = Analog Signal (PLL Filter)



POST OFFICE BOX 1443 • HOUSTON, TEXAS 77251-1443

Signal Descriptions (Continued)

SIGNAL NAME	NO.	TYPE†	DESCRIPTION
HOST PORT INTERFACE (HPI)			
HINT	H2	O/Z	Host interrupt (from DSP to host)
HCNTL1	J6	I	Host control - selects between control, address or data registers
HCNTL0	H6	I	Host control - selects between control, address or data registers
HHWIL	E4	I	Host halfword select - first or second halfword (not necessarily high or low order)
HBE1	G6	I	Host byte select within word or half-word
HBE0	F6	I	Host byte select within word or half-word
HR/W	D4	I	Host read or write select
HD15	D11	I/O/Z	Host port data (used for transfer of data, address and control)
HD14	B11		
HD13	A11		
HD12	G9		
HD11	D10		
HD10	A10		
HD9	C10		
HD8	B9		
HD7	F9		
HD6	C9		
HD5	A9		
HD4	B8		
HD3	D9		
HD2	D8		
HD1	B7		
HD0	C7		
HAS	L6	I	Host address strobe
HCS	C5	I	Host chip select
HDS1	C4	I	Host data strobe 1
HDS2	K6	I	Host data strobe 2
HRDY	H3	O	Host ready (from DSP to host)
BOOT MODE			
BOOTMODE4	B16	I	Boot mode
BOOTMODE3	G14		
BOOTMODE2	F15		
BOOTMODE1	C18		
BOOTMODE0	D17		

† I = Input, O = Output, Z = High Impedance, S = Supply Voltage, GND = Ground

SM320C6201, SMJ320C6201B DIGITAL SIGNAL PROCESSORS

SGUS028A - NOVEMBER 1998 - REVISED JANUARY 1999

Signal Descriptions (Continued)

SIGNAL NAME	NO.	TYPE†	DESCRIPTION
EMIF - CONTROL SIGNALS COMMON TO ALL TYPES OF MEMORY			
$\overline{CE3}$	Y5	O/Z	Memory space enables <ul style="list-style-type: none"> • Enabled by bits 24 and 25 of the word address • Only one asserted during any external data access
$\overline{CE2}$	V3	O/Z	
$\overline{CE1}$	T6	O/Z	
$\overline{CE0}$	U2	O/Z	
$\overline{BE3}$	R8	O/Z	Byte enable control <ul style="list-style-type: none"> • Decoded from the two lowest bits of the internal address • Byte write enables for most types of memory • Can be directly connected to SDRAM read and write mask signal (SDQM)
$\overline{BE2}$	T3	O/Z	
$\overline{BE1}$	T2	O/Z	
$\overline{BE0}$	R2	O/Z	
EMIF - ADDRESS			
EA21	L4	O/Z	External address (word address)
EA20	L3		
EA19	J2		
EA18	J1		
EA17	K1		
EA16	K2		
EA15	L2		
EA14	L1		
EA13	M1		
EA12	M2		
EA11	M6		
EA10	N4		
EA9	N1		
EA8	N2		
EA7	N6		
EA6	P4		
EA5	P3		
EA4	P2		
EA3	P1		
EA2	P6		

† I = Input, O = Output, Z = High Impedance, S = Supply Voltage, GND = Ground



Signal Descriptions (Continued)

SIGNAL		TYPE†	DESCRIPTION
NAME	NO.		
EMIF - DATA			
ED31	U18	I/O/Z	External data
ED30	U20		
ED29	T15		
ED28	V18		
ED27	V17		
ED26	V16		
ED25	T12		
ED24	W17		
ED23	T13		
ED22	Y17		
ED21	T11		
ED20	Y16		
ED19	W15		
ED18	V14		
ED17	Y15		
ED16	R9		
ED15	Y14		
ED14	V13		
ED13	AA13		
ED12	T10		
ED11	Y13		
ED10	W12		
ED9	Y12		
ED8	Y11		
ED7	V10		
ED6	AA10		
ED5	Y10		
ED4	W10		
ED3	Y9		
ED2	AA9		
ED1	Y8		
ED0	W9		
EMIF - ASYNCHRONOUS MEMORY CONTROL			
$\overline{\text{ARE}}$	R7	O/Z	Asynchronous memory read enable
$\overline{\text{AOE}}$	T7	O/Z	Asynchronous memory output enable
$\overline{\text{AWE}}$	V5	O/Z	Asynchronous memory write enable
ARDY	R4	I	Asynchronous memory ready input

† I = Input, O = Output, Z = High Impedance, S = Supply Voltage, GND = Ground

SM320C6201, SMJ320C6201B DIGITAL SIGNAL PROCESSORS

SGUS028A - NOVEMBER 1998 - REVISED JANUARY 1999

Signal Descriptions (Continued)

SIGNAL NAME	NO.	TYPE†	DESCRIPTION
EMIF - SYNCHRONOUS BURST SRAM CONTROL			
SSADS	V8	O/Z	SBSRAM address strobe
SSOE	W7	O/Z	SBSRAM output enable
SSWE	Y7	O/Z	SBSRAM write enable
SSCLK	AA8	O/Z	SBSRAM clock
EMIF - SYNCHRONOUS DRAM CONTROL			
SDA10	V7	O/Z	SDRAM address 10 (separate for deactivate command)
SDRAS	V6	O/Z	SDRAM row address strobe
SDCAS	W5	O/Z	SDRAM column address strobe
SDWE	T8	O/Z	SDRAM write enable
SDCLK	T9	O/Z	SDRAM clock
EMIF - BUS ARBITRATION			
HOLD	R6	I	Hold request from the host
HOLDA	B15	O	Hold request acknowledge to the host
TIMERS			
TOUT1	G2	O/Z	Timer 1 or general-purpose output
TINP1	K3	I	Timer 1 or general-purpose input
TOUT0	M18	O/Z	Timer 0 or general-purpose output
TINP0	J18	I	Timer 0 or general-purpose input
DMA ACTION COMPLETE			
DMAC3	E18	O	DMA action complete
DMAC2	F19		
DMAC1	E20		
DMAC0	G16		
MULTICHANNEL BUFFERED SERIAL PORT 1 (McBSP1)			
CLKS1	F4	I	External clock source (as opposed to internal)
CLKR1	H4	I/O/Z	Receive clock
CLKX1	J4	I/O/Z	Transmit clock
DR1	E2	I	Receive data
DX1	G4	O/Z	Transmit data
FSR1	F3	I/O/Z	Receive frame sync
FSX1	F2	I/O/Z	Transmit frame sync

† I = Input, O = Output, Z = High Impedance, S = Supply Voltage, GND = Ground



Signal Descriptions (Continued)

SIGNAL NAME		NO.	TYPE†	DESCRIPTION
MULTICHANNEL BUFFERED SERIAL PORT 0 (McBSP0)				
CLKS0	K18		I	External clock source (as opposed to internal)
CLKR0	L21		I/O/Z	Receive clock
CLKX0	K20		I/O/Z	Transmit clock
DR0	J21		I	Receive data
DX0	M21		O/Z	Transmit data
FSR0	P16		I/O/Z	Receive frame sync
FSX0	N16		I/O/Z	Transmit frame sync
RESERVED FOR TEST				
RSV0	N21		I	Reserved for testing, pull-up with a dedicated 20-kΩ resistor
RSV1	K16		I	Reserved for testing, pull-up with a dedicated 20-kΩ resistor
RSV2	B13		I	Reserved for testing, pull-up with a dedicated 20-kΩ resistor
RSV3	B14		I	Reserved for testing, pull-up with a dedicated 20-kΩ resistor
RSV4	F13		I	Reserved for testing, pull-down with a dedicated 20-kΩ resistor
RSV5	C15		O	Reserved (leave unconnected, do not connect to power or ground)
RSV6	F7		I	Reserved for testing, pull-up with a dedicated 20-kΩ resistor
RSV7	D7		I	Reserved for testing, pull-up with a dedicated 20-kΩ resistor
RSV8	B5		I	Reserved for testing, pull-up with a dedicated 20-kΩ resistor
SUPPLY VOLTAGE PINS				
DV _{DD}	C14	S		3.3-V supply voltage
	C8			
	E19			
	E3			
	H11			
	H13			
	H9			
	J10			
	J12			
	J14			
	J19			
	J3			
	J8			
	K11			
	K13			
	K15			
K7				
K9				
L10				
L12				
L14				

† I = Input, O = Output, Z = High Impedance, S = Supply Voltage, GND = Ground

SM320C6201, SMJ320C6201B DIGITAL SIGNAL PROCESSORS

SGUS028A - NOVEMBER 1998 - REVISED JANUARY 1999

Signal Descriptions (Continued)

SIGNAL		TYPE†	DESCRIPTION
NAME	NO.		
SUPPLY VOLTAGE PINS (CONTINUED)			
DV _{DD}	L8	S	3.3-V supply voltage
	M11		
	M13		
	M15		
	M7		
	M9		
	N10		
	N12		
	N14		
	N19		
	N3		
	N8		
	P11		
	P13		
	P9		
	U19		
	U3		
W14			
W8			
CV _{DD}	A12	S	2.5-V supply voltage for 'C6201 1.8-V supply voltage for 'C6201B
	A13		
	B10		
	B12		
	B6		
	D15		
	D16		
	F10		
	F14		
	F8		
	G13		
	G7		
	G8		
	K4		
	M3		
	M4		
	A3		
A5			
A7			
A16			

† I = Input, O = Output, Z = High Impedance, S = Supply Voltage, GND = Ground



Signal Descriptions (Continued)

SIGNAL		TYPE†	DESCRIPTION
NAME	NO.		
SUPPLY VOLTAGE PINS (CONTINUED)			
CV _{DD}	A18	S	2.5-V supply voltage for 'C6201 1.8-V supply voltage for 'C6201B
	AA4		
	AA6		
	AA15		
	AA17		
	AA19		
	B2		
	B4		
	B19		
	C1		
	C3		
	C20		
	D2		
	D21		
	E1		
	E6		
	E8		
	E10		
	E12		
	E14		
	E16		
	F5		
	F17		
	F21		
G1			
H5			
H17			
K5			
K17			
M5			
M17			
P5			
P17			
R21			

† I = Input, O = Output, Z = High Impedance, S = Supply Voltage, GND = Ground

SM320C6201, SMJ320C6201B DIGITAL SIGNAL PROCESSORS

SGUS028A - NOVEMBER 1998 - REVISED JANUARY 1999

Signal Descriptions (Continued)

SIGNAL NAME		NO.	TYPE†	DESCRIPTION
SUPPLY VOLTAGE PINS (CONTINUED)				
CV _{DD}		T1	S	2.5-V supply voltage for 'C6201 1.8-V supply voltage for 'C6201B
		T5		
		T17		
		U6		
		U8		
		U10		
		U12		
		U14		
		U16		
		U21		
		V1		
		V20		
		W2		
		W19		
		W21		
		Y3		
		Y18		
		Y20		
		AA11		
		AA12		
		F20		
		G18		
		H16		
		H18		
		L18		
		L19		
		L20		
		N20		
	P18			
	P19			
	R10			
	R14			
	U4			
	V11			
	V12			
	V15			
	W13			

† I = Input, O = Output, Z = High Impedance, S = Supply Voltage, GND = Ground



Signal Descriptions (Continued)

SIGNAL		TYPE†	DESCRIPTION
NAME	NO.		
GROUND PINS			
V _{SS}	C11	GND	Ground pins
	C16		
	C6		
	D5		
	G3		
	H10		
	H12		
	H14		
	H7		
	H8		
	J11		
	J13		
	J7		
	J9		
	K8		
	L7		
	L9		
	M8		
	N7		
	R3		
	A4		
	A6		
	A8		
	A15		
	A17		
	A19		
	AA3		
	AA5		
	AA7		
	AA14		
AA16			
AA18			
B3			
B18			
B20			
C2			
C19			
C21			
D1			

† I = Input, O = Output, Z = High Impedance, S = Supply Voltage, GND = Ground

SM320C6201, SMJ320C6201B DIGITAL SIGNAL PROCESSORS

SGUS028A - NOVEMBER 1998 - REVISED JANUARY 1999

Signal Descriptions (Continued)

SIGNAL NAME NO.		TYPE†	DESCRIPTION
GROUND PINS (CONTINUED)			
V _{SS}	D20	GND	Ground pins
	E5		
	E7		
	E9		
	E11		
	E13		
	E15		
	E17		
	E21		
	F1		
	G5		
	G17		
	G21		
	H1		
	J5		
	J17		
	L5		
	L17		
	N5		
	N17		
	P21		
	R1		
	R5		
	R17		
	T21		
	U1		
U5			
U7			
U9			
U11			
U13			
U15			
U17			
V2			
V21			

† I = Input, O = Output, Z = High Impedance, S = Supply Voltage, GND = Ground



Signal Descriptions (Continued)

SIGNAL		TYPE†	DESCRIPTION
NAME	NO.		
GROUND PINS (CONTINUED)			
V _{SS}	W1	GND	Ground pins
	W3		
	W20		
	Y2		
	Y4		
	Y19		
	F18		
	G19		
	H15		
	J15		
	J16		
	K10		
	K12		
	K14		
	L11		
	L13		
	L15		
	M10		
	M12		
	M14		
	N11		
	N13		
	N15		
	N9		
	P10		
	P12		
	P14		
	P15		
P7			
P8			
R19			
T4			
W11			
W16			
W6			

† I = Input, O = Output, Z = High Impedance, S = Supply Voltage, GND = Ground

SM320C6201, SMJ320C6201B DIGITAL SIGNAL PROCESSORS

SGUS028A - NOVEMBER 1998 - REVISED JANUARY 1999

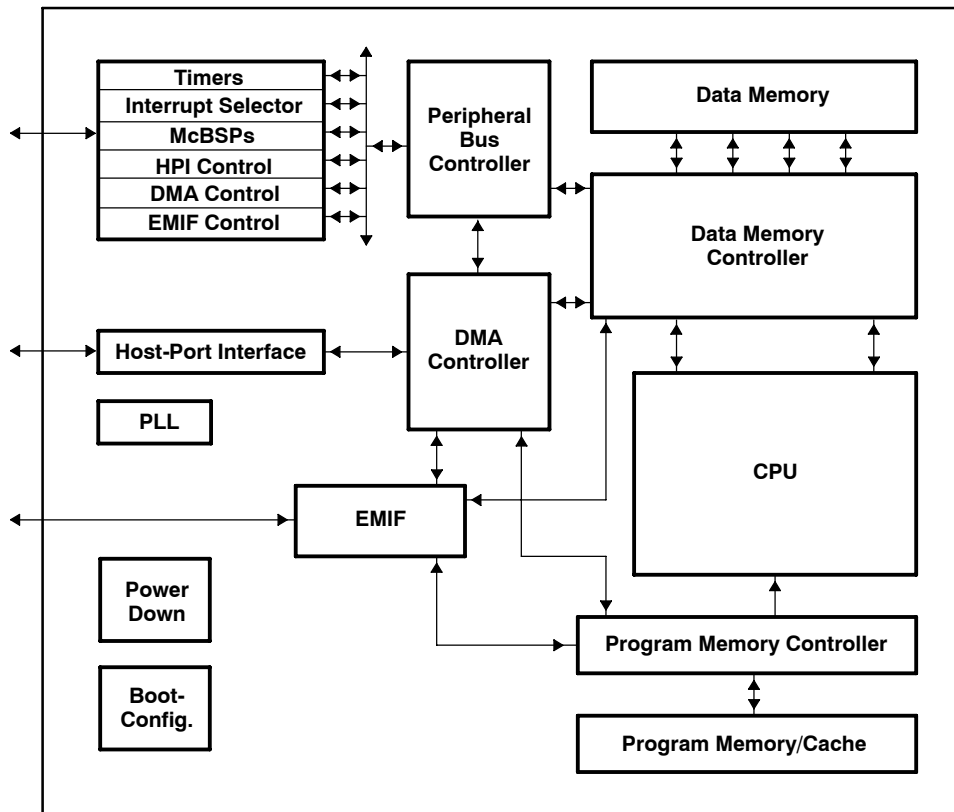
Signal Descriptions (Continued)

SIGNAL NAME		NO.	TYPE†	DESCRIPTION
REMAINING UNCONNECTED PINS				
NC		D13		Unconnected pins
		D14		
		D18		
		D3		
		D6		
		F12		
		F16		
		G12		
		G15		
		H19		
		H20		
		H21		
		L16		
		M16		
		M19		
		V19		
		V4		
	W18			
	W4			

† I = Input, O = Output, Z = High Impedance, S = Supply Voltage, GND = Ground



functional block diagram



SM320C6201, SMJ320C6201B DIGITAL SIGNAL PROCESSORS

SGUS028A - NOVEMBER 1998 - REVISED JANUARY 1999

signal groups

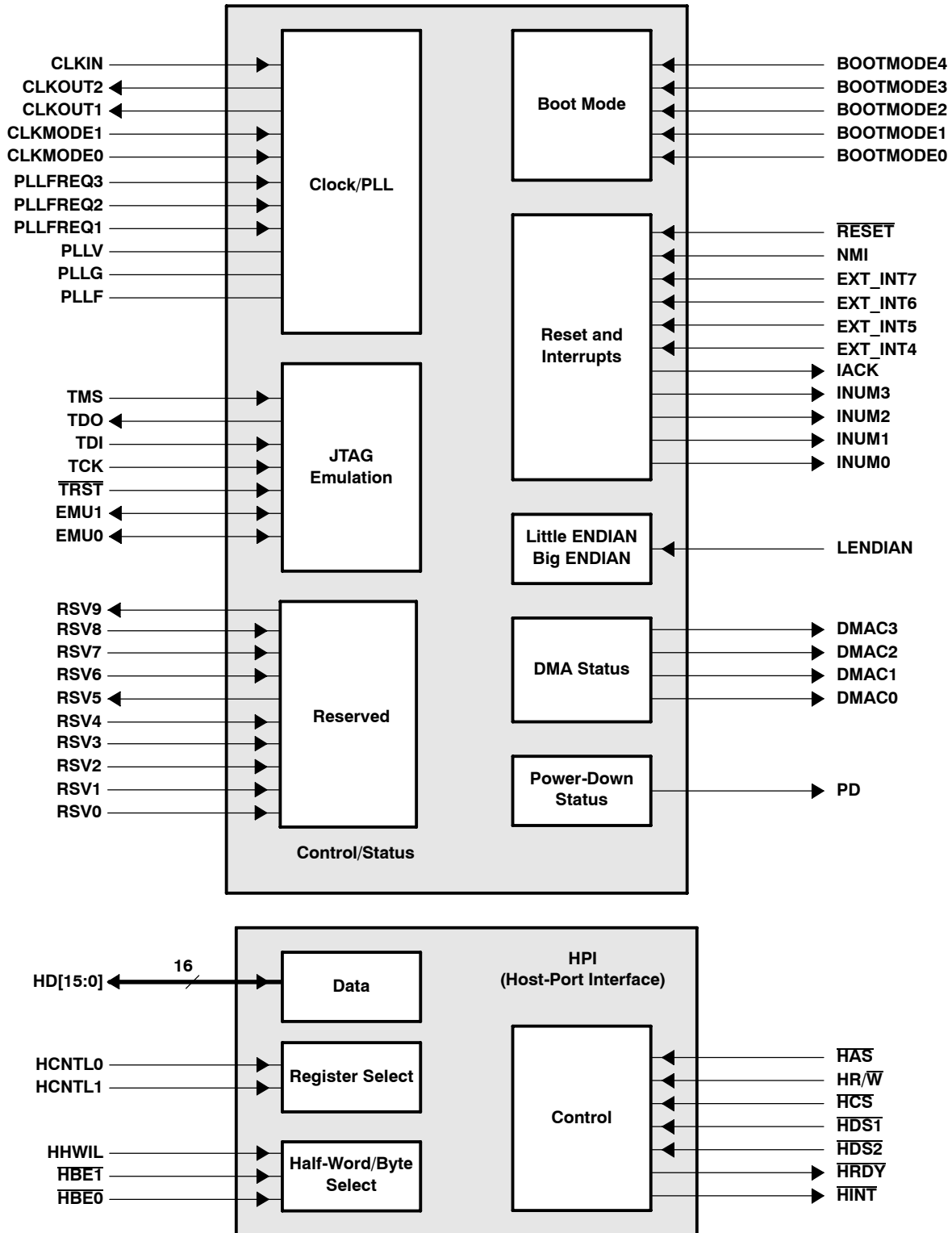


Figure 1. CPU and Peripheral Signals

signal groups (continued)

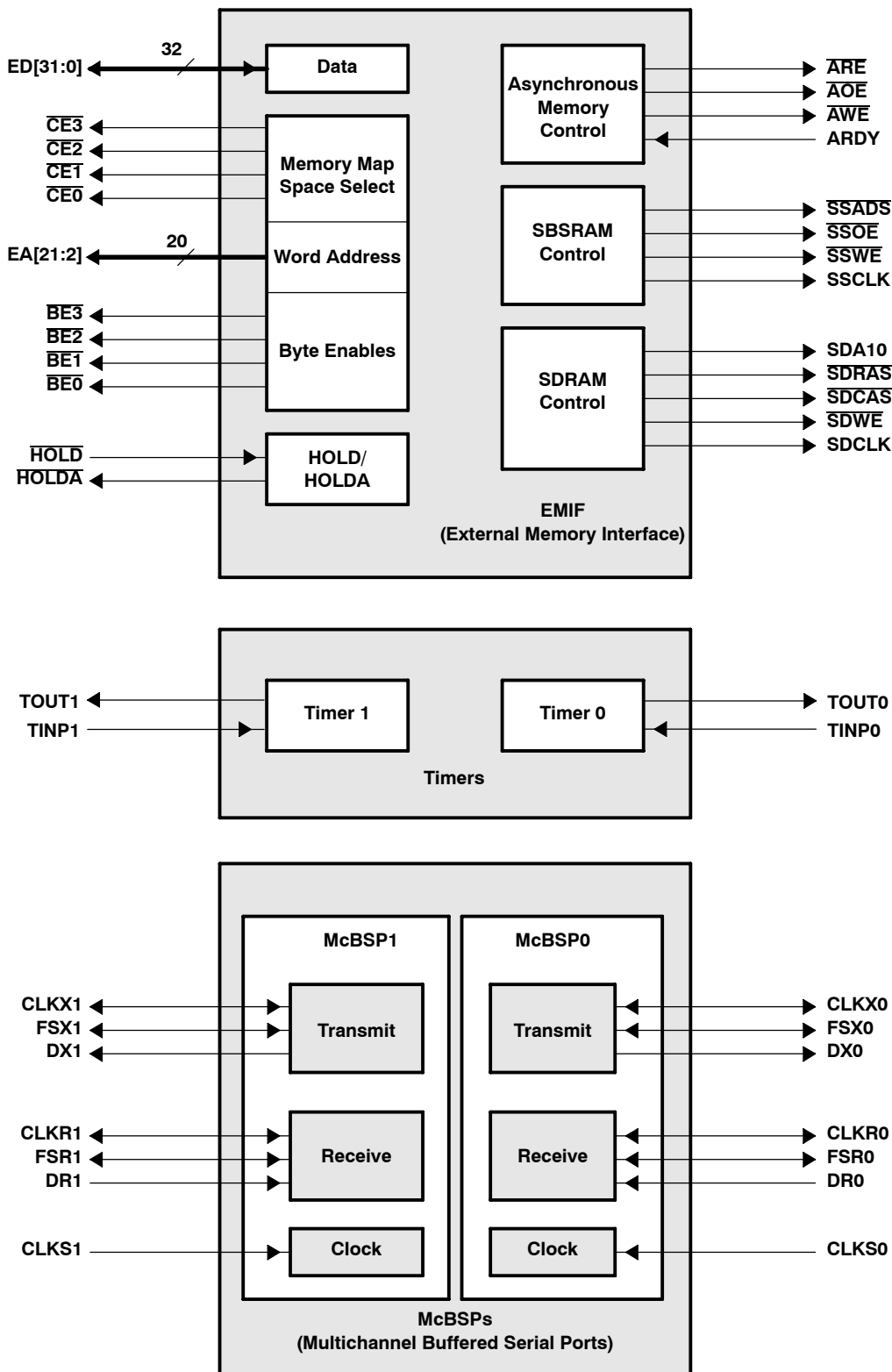


Figure 2. Peripheral Signals

SM320C6201, SMJ320C6201B DIGITAL SIGNAL PROCESSORS

SGUS028A - NOVEMBER 1998 - REVISED JANUARY 1999

CPU description

The CPU fetches VelociTI advanced very-long instruction words (VLIW) (256 bits wide) to supply up to eight 32-bit instructions to the eight functional units during every clock cycle. The VelociTI VLIW architecture features controls by which all eight units do not have to be supplied with instructions if they are not ready to execute. The first bit of every 32-bit instruction determines if the next instruction belongs to the same execute packet as the previous instruction, or whether it should be executed in the following clock as a part of the next execute packet. Fetch packets are always 256 bits wide; however, the execute packets can vary in size. The variable-length execute packets are a key memory-saving feature, distinguishing the 'C6200[†] CPU from other VLIW architectures.

The CPU features two sets of functional units. Each set contains four units and a register file. One set contains functional units .L1, .S1, .M1, and .D1; the other set contains units .D2, .M2, .S2, and .L2. The two register files each contain 16 32-bit registers for a total of 32 general-purpose registers. The two sets of functional units, along with two register files, compose sides A and B of the CPU (see Figure 3 and Figure 4). The four functional units on each side of the CPU can freely share the 16 registers belonging to that side. Additionally, each side features a single data bus connected to all the registers on the other side, by which the two sets of functional units can access data from the register files on the opposite side. While register access by functional units on the same side of the CPU as the register file can service all the units in a single clock cycle, register access using the register file across the CPU supports one read and one write per cycle.

Another key feature of the 'C6200 CPU is the load/store architecture, where all instructions operate on registers (as opposed to data in memory). Two sets of data-addressing units (.D1 and .D2) are responsible for all data transfers between the register files and the memory. The data address driven by the .D units allows data addresses generated from one register file to be used to load or store data to or from the other register file. The 'C6200 CPU supports a variety of indirect addressing modes using either linear- or circular-addressing modes with 5- or 15-bit offsets. All instructions are conditional, and most can access any one of the 32 registers. Some registers, however, are singled out to support specific addressing or to hold the condition for conditional instructions (if the condition is not automatically "true"). The two .M functional units are dedicated for multiplies. The two .S and .L functional units perform a general set of arithmetic, logical, and branch functions with results available every clock cycle.

The processing flow begins when a 256-bit-wide instruction fetch packet is fetched from a program memory. The 32-bit instructions destined for the individual functional units are "linked" together by "1" bits in the least significant bit (LSB) position of the instructions. The instructions that are "chained" together for simultaneous execution (up to eight in total) compose an execute packet. A "0" in the LSB of an instruction breaks the chain, effectively placing the instructions that follow it in the next execute packet. If an execute packet crosses the fetch packet boundary (256 bits wide), the assembler places it in the next fetch packet, while the remainder of the current fetch packet is padded with NOP instructions. The number of execute packets within a fetch packet can vary from one to eight. Execute packets are dispatched to their respective functional units at the rate of one per clock cycle and the next 256-bit fetch packet is not fetched until all the execute packets from the current fetch packet have been dispatched. After decoding, the instructions simultaneously drive all active functional units for a maximum execution rate of eight instructions every clock cycle. While most results are stored in 32-bit registers, they can be subsequently moved to memory as bytes or half-words as well. All load and store instructions are byte-, half-word, or word-addressable.

[†] Where unique device characteristics are specified, SM320C6201 and SMJ320C6201B identifiers are used. For generic characteristics, no identifiers are needed, 'C62xx is used, or 'C6200 is used.

CPU description (continued)

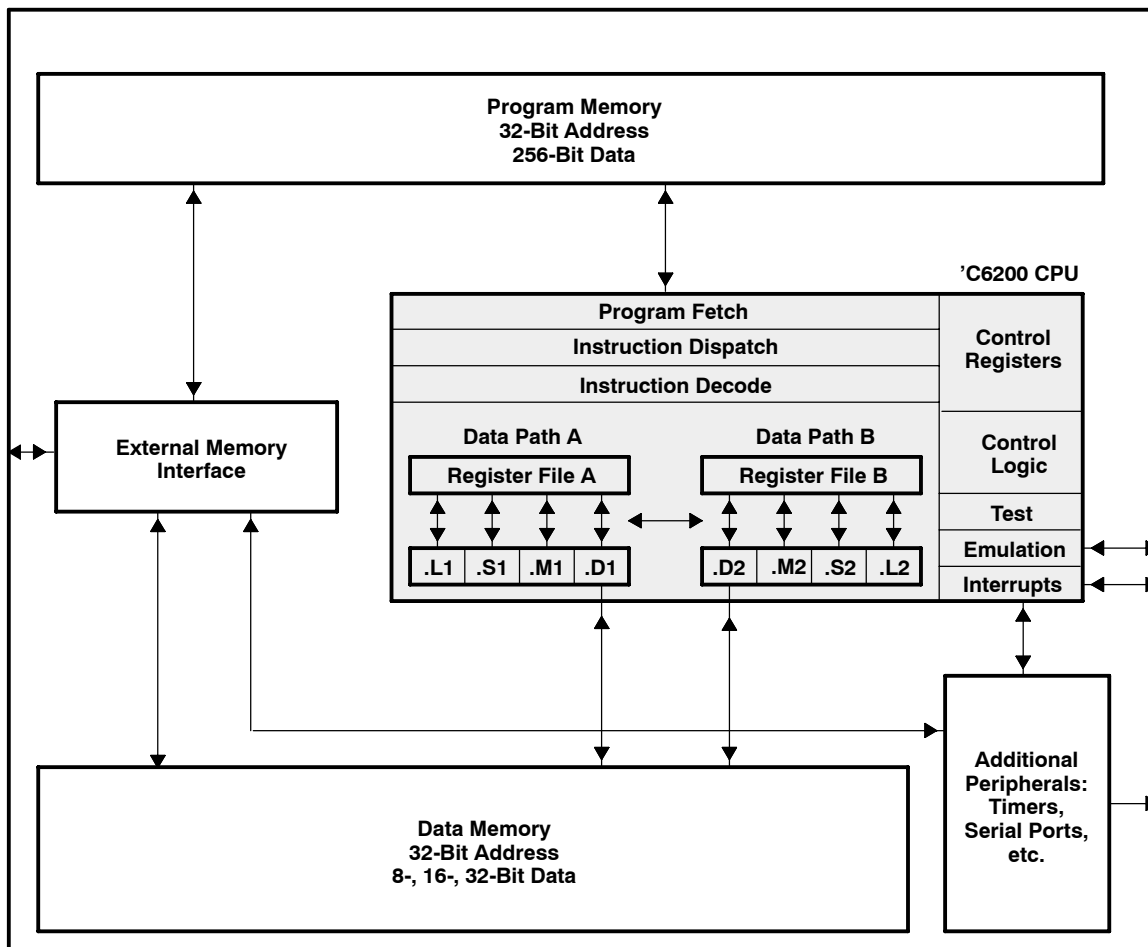


Figure 3. SM320C6200 CPU Block Diagram

SM320C6201, SMJ320C6201B DIGITAL SIGNAL PROCESSORS

SGUS028A - NOVEMBER 1998 - REVISED JANUARY 1999

CPU description (continued)

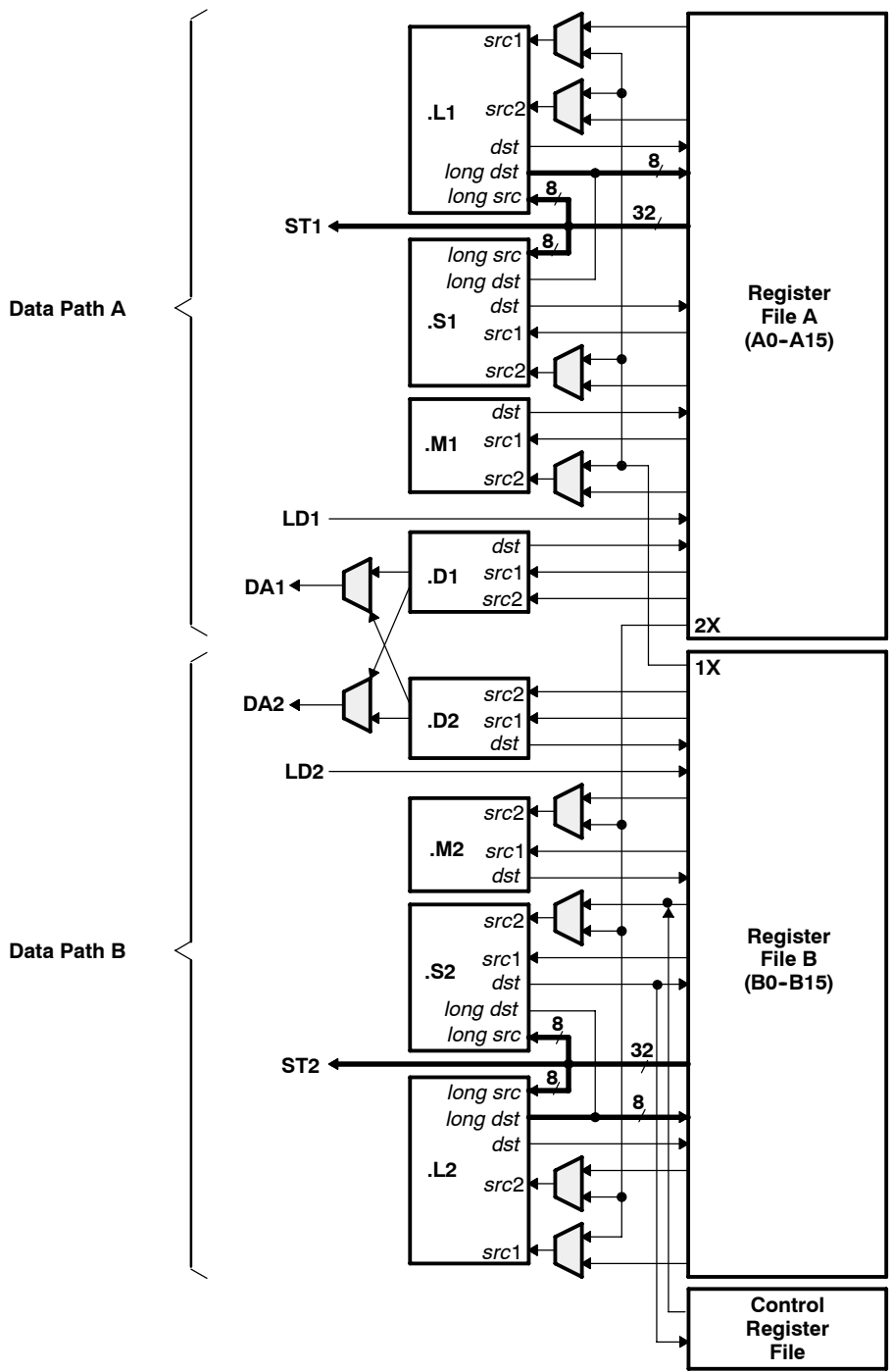


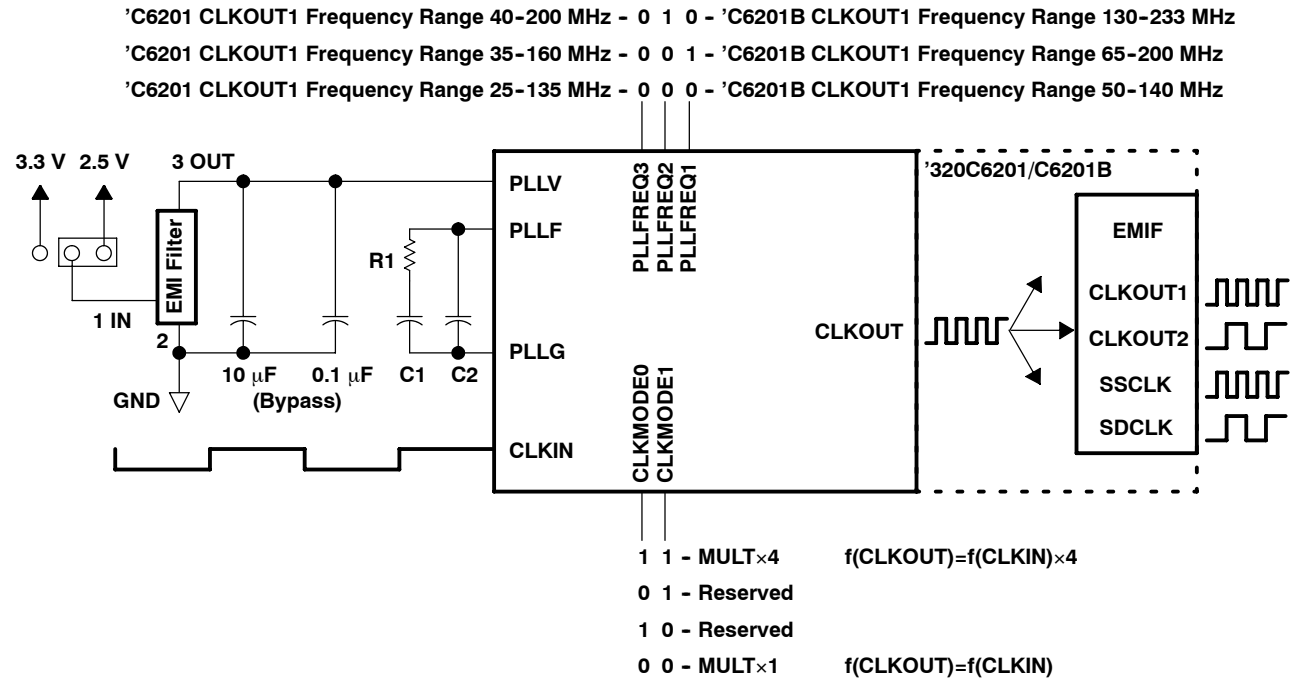
Figure 4. SM320C6200 CPU Data Paths

clock PLL

All of the 'C62xx clocks are generated from a single source through the CLKIN pin. This source clock either drives the PLL, which generates the internal CPU clock, or bypasses the PLL to become the CPU clock.

To use the PLL to generate the CPU clock, the filter circuit shown in Figure 5 must be properly designed. Note that for 'C6201, the EMI filter must be powered by the core voltage (2.5 V), and for 'C6201B, it must be powered by the I/O voltage (3.3 V).

To configure the 'C62xx PLL clock for proper operation, see Figure 5 and Table 1. To minimize the clock jitter, a single clean power supply should power both the 'C62x device and the external clock oscillator circuit. The minimum CLKIN rise and fall times should also be observed. See the *input and output clocks* section for input clock timing requirements.



- NOTES: A. For the 'C6201 CLKMODE x4, values for C1, C2, and R1 depend on CLKIN and CLKOUT frequencies. For the 'C6201B CLKMODE x4, values for C1, C2, and R1 are fixed and apply to all valid frequency ranges of CLKIN and CLKOUT.
 B. For CLKMODE x1, the PLL is bypassed and all six external PLL components can be removed. For this case, the PLLV terminal has to be connected to a clean supply and the PLLG and PLLF terminals should be tied together.
 C. Due to overlap of frequency ranges when choosing the PLLFREQ, more than one frequency range can contain the CLKOUT1 frequency. Choose the lowest frequency range that includes the desired frequency. For example, CLKOUT1 = 133 MHz, a PLLFREQ value of 000b should be used for both the 'C6201 and the 'C6201B. For CLKOUT1 = 200 MHz, PLLFREQ should be set to 010b for the 'C6201 or 001b for the 'C6201B. PLLFREQ values other than 000b, 001b, and 010b are reserved.
 D. EMI filter manufacturer TDK part number ACF451832-153-T
 E. For the 'C6201B, the 3.3-V supply for the EMI filter (and PLLV) must be from the same 3.3-V power plane supplying the I/O voltage, DV_{DD}.

Figure 5. PLL Block Diagram

SM320C6201, SMJ320C6201B DIGITAL SIGNAL PROCESSORS

SGUS028A - NOVEMBER 1998 - REVISED JANUARY 1999

clock PLL (continued)

Table 1. SM320C6201 PLL Component Selection Table[†]

CYCLE TIME (ns)	CLKMODE	CLKIN (MHz)	CLKOUT1 (MHz)	R1 (Ω)	C1 (μF)	C2 (pF)	EMI FILTER PART NO. [‡]	TYPICAL LOCK TIME (μs) [§]
5	x4	50	200	16.9	0.15	2700	TDK #153	59
5.5	x4	45.5	181.8	13.7	0.18	3900	TDK #153	49
6	x4	41.6	166.7	17.4	0.15	3300	TDK #153	68
6.5	x4	38.5	153.8	16.2	0.18	3900	TDK #153	70
7	x4	35.7	142.9	15	0.22	3900	TDK #153	72
7.5	x4	33.3	133.3	16.2	0.22	3900	TDK #153	84
8	x4	31.3	125	14	0.27	4700	TDK #153	77
8.5	x4	29.4	117.7	11.8	0.33	6800	TDK #153	67
9	x4	27.7	111.1	11	0.39	6800	TDK #153	68
9.5	x4	26.3	105.3	10.5	0.39	8200	TDK #153	65
10	x4	25	100	10	0.47	8200	TDK #153	68

[†] For CLKMODE x1, the PLL is bypassed and all six external PLL components can be removed. For this case, the PLLV terminal has to be connected to a clean supply and the PLLG and PLLF terminals should be tied together.

[‡] Full EMI filter part number : ACF 451832-153-T

[§] Under some operating conditions, the maximum PLL lock time may vary as much as 150% from the specified typical value. For example, if the typical lock time is specified as 100 μs, the maximum value may be as long as 250 μs.

Table 2. SM320C6201B PLL Component Selection Table[†]

CLKMODE	R1 (Ω)	C1 (nF)	C2 (pF)	EMI FILTER PART NO. [‡]	TYPICAL LOCK TIME (μs) [§]
x4	60.4	27	560	TDK #153	75

[†] For CLKMODE x1, the PLL is bypassed and all six external PLL components can be removed. For this case, the PLLV terminal has to be connected to a clean supply and the PLLG and PLLF terminals should be tied together.

[‡] Full EMI filter part number : ACF 451832-153-T

[§] Under some operating conditions, the maximum PLL lock time may vary as much as 150% from the specified typical value. For example, if the typical lock time is specified as 100 μs, the maximum value may be as long as 250 μs.

power supply sequencing

For the 'C6201 device, the 2.5-V supply powers the core and the 3.3-V supply powers the I/O buffers. For the 'C6201B device, the 1.8-V supply powers the core and the 3.3-V supply powers the I/O buffers. The core supply should be powered up first, or at the same time as the I/O buffers. This is to ensure that the I/O buffers have valid inputs from the core before the output buffers are powered up, thus preventing bus contention with other chips on the board.



development support

Texas Instruments (TI™) offers an extensive line of development tools for the 'C6200 generation of DSPs, including tools to evaluate the performance of the processors, generate code, develop algorithm implementations, and fully integrate and debug software and hardware modules.

The following products support development of 'C6200-based applications:

Software Development Tools:

- Assembly optimizer
- Assembler/Linker
- Simulator
- Optimizing ANSI C compiler
- Application algorithms
- C/Assembly debugger and code profiler

Hardware Development Tools:

- Extended development system (XDS™) emulator (supports 'C6200 multiprocessor system debug EVM (Evaluation Module)

The *TMS320 DSP Development Support Reference Guide* (SPRU011) contains information about development-support products for all TMS320 family member devices, including documentation. See this document for further information on TMS320 documentation or any TMS320 support products from Texas Instruments. An additional document, the *TMS320 Third-Party Support Reference Guide* (SPRU052), contains information about TMS320-related products from other companies in the industry. To receive TMS320 literature, contact the Literature Response Center at 800/477-8924.

See Table 3 for a complete listing of development-support tools for the 'C6200. For information on pricing and availability, contact the nearest TI field sales office or authorized distributor.

Table 3. TMS320C6xx Development-Support Tools

DEVELOPMENT TOOL	PLATFORM	PART NUMBER
Software		
C Compiler/Assembler/Linker/Assembly Optimizer	Win32™	TMDX3246855-07
C Compiler/Assembler/Linker/Assembly Optimizer	SPARC™ Solaris™	TMDX324655-07
Simulator	Win32	TMDS3246851-07
Simulator	SPARC Solaris	TMDS3246551-07
XDS510™ Debugger/Emulation Software	Win32, Windows NT™	TMDX324016X-07
Hardware		
XDS510 Emulator†	PC	TMDS00510
XDS510WS™ Emulator‡	SCSI	TMDS00510WS
Software/Hardware		
EVM Evaluation Kit	PC/Win95/Windows NT	TMDX3260A6201
EVM Evaluation Kit (including TMDX3246855-07)	PC/Win95/Windows NT	TMDX326006201

† Includes XDS510 board and JTAG emulation cable. TMDX324016X-07 C-source Debugger/Emulation software is not included.

‡ Includes XDS510WS box, SCSI cable, power supply, and JTAG emulation cable.

TI, XDS, XDS510, and XDS510WS are trademarks of Texas Instruments Incorporated.
 Win32 and Windows NT are trademarks of Microsoft Corporation.
 SPARC is a trademark of SPARC International, Inc.
 Solaris is a trademark of Sun Microsystems, Inc.



SM320C6201, SMJ320C6201B DIGITAL SIGNAL PROCESSORS

SGUS028A - NOVEMBER 1998 - REVISED JANUARY 1999

device and development-support tool nomenclature

To designate the stages in the product development cycle, TI assigns prefixes to the part numbers of all TMS320 devices and support tools. Each TMS320 member has one of three prefixes: TMX, TMP, or TMS. Texas Instruments recommends two of three possible prefix designators for support tools: TMDX and TMDS. These prefixes represent evolutionary stages of product development from engineering prototypes (TMX/TMDX) through fully qualified production devices/tools (TMS/TMDS). This development flow follows.

Device development evolutionary flow:

TMX	Experimental device that is not necessarily representative of the final device's electrical specifications
TMP	Final silicon die that conforms to the device's electrical specifications but has not completed quality and reliability verification
TMS	Fully qualified production device
SMX	Experimental device that is not necessarily representative of the final device's electrical specifications, 25°C tested, military/industrial ceramic dimpled Ball Grid Array package
SM	Fully TI-qualified production device; offered in extended temperature ranges: -40°C to +90°C (A range), -55°C to +105°C (S range), and -55°C to +125°C (M range); in ceramic dimpled BGA package
SMJ	Fully SMD-qualified production device, -55°C to +125°C temperature range, in the ceramic dimpled Ball Grid Array package

Support tool development evolutionary flow:

TMDX	Development-support product that has not yet completed Texas Instruments internal qualification testing.
TMDS	Fully qualified development-support product

TMX and TMP devices and TMDX development-support tools are shipped against the following disclaimer:

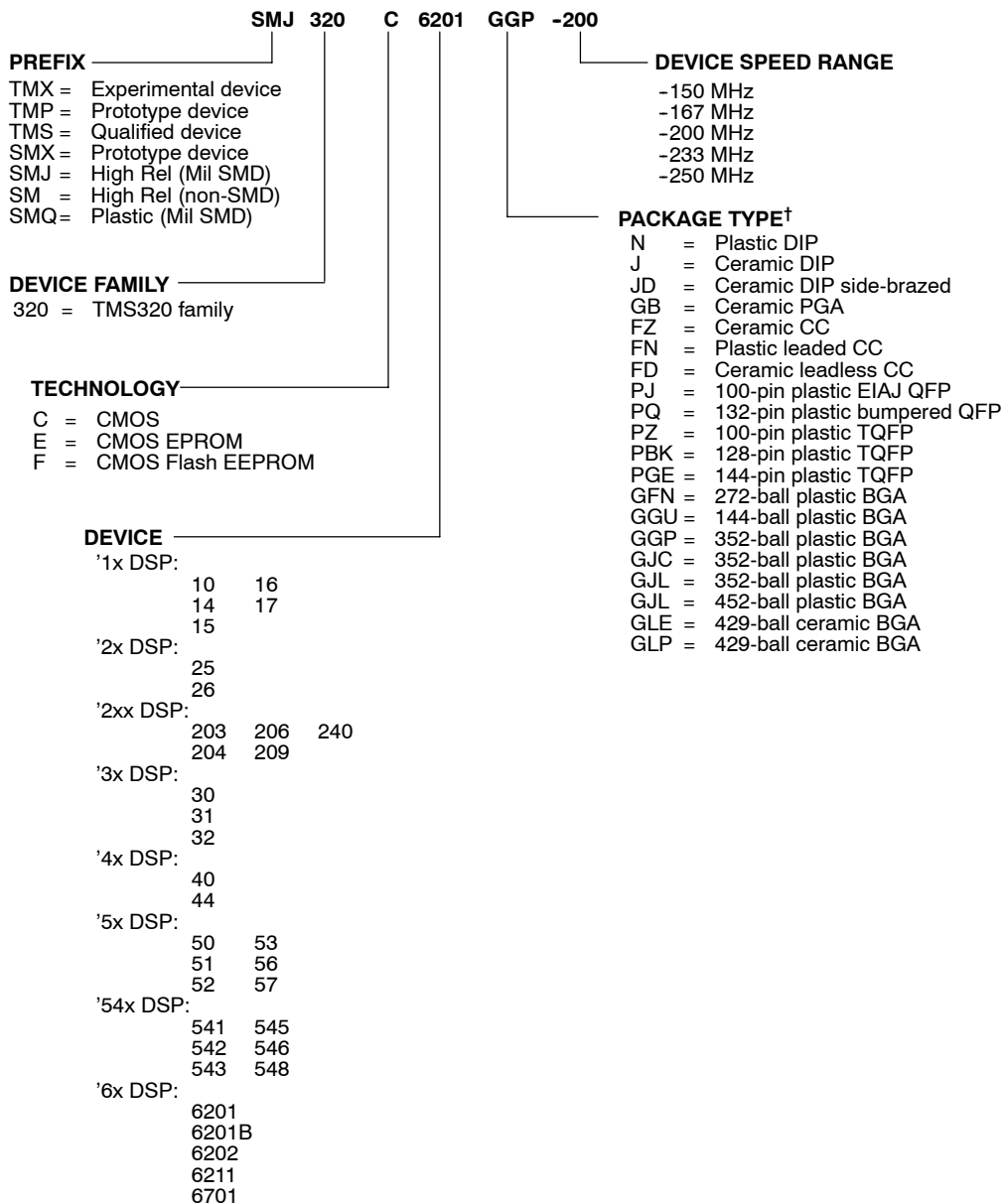
“Developmental product is intended for internal evaluation purposes.”

TMS devices and TMDS development-support tools have been characterized fully, and the quality and reliability of the device have been demonstrated fully. TI's standard warranty applies.

Predictions show that prototype devices (TMX or TMP) have a greater failure rate than the standard production devices. Texas Instruments recommends that these devices not be used in any production system because their expected end-use failure rate still is undefined. Only qualified production devices are to be used.

TI device nomenclature also includes a suffix with the device family name. This suffix indicates the package type (for example, GGP, GJC, or GJL) and the device speed range in megahertz (for example, -200 is 200 MHz). Figure 6 provides a legend for reading the complete device name for any TMS320 family member.

device and development-support tool nomenclature (continued)



† DIP = Dual-In-Line Package
 PGA = Pin Grid Array
 CC = Chip Carrier
 QFP = Quad Flat Package
 TQFP = Thin Quad Flat Package
 BGA = Ball Grid Array

Figure 6. TMS320 Device Nomenclature (Including SM320C6201/SMJ320C6201B)

SM320C6201, SMJ320C6201B DIGITAL SIGNAL PROCESSORS

SGUS028A - NOVEMBER 1998 - REVISED JANUARY 1999

documentation support

Extensive documentation supports all TMS320 family generations of devices from product announcement through applications development. The types of documentation available include: data sheets, such as this document, with design specifications; complete user's reference guides for all devices; technical briefs; development-support tools; and hardware and software applications. The following is a brief, descriptive list of support documentation specific to the 'C6x devices:

The *TMS320C62x/C67x CPU and Instruction Set Reference Guide* (literature number SPRU189) describes the 'C62x/C67x CPU architecture, instruction set, pipeline, and associated interrupts.

The *TMS320C6201/C6701 Peripherals Reference Guide* (literature number SPRU190) describes functionally the peripherals available on 'C6x devices, such as the external memory interface (EMIF), host-port interface (HPI), multichannel buffered serial ports (McBSPs), direct-memory-access (DMA) controller, clocking and phase-locked loop (PLL); and power-down modes. This guide also includes information on internal data and program memories.

The *TMS320C62x/C67x Programmer's Guide* (literature number SPRU198) describes ways to optimize C and assembly code for 'C6x devices and includes application program examples.

The *TMS320C6x Optimizing C Compiler User's Guide* (literature number SPRU187) describes the 'C6x C compiler and the assembly optimizer, explaining that the C compiler accepts ANSI standard C source code, and produces assembly language source code for the 'C6x generation devices, and that the assembly optimizer helps to optimize the programmer's assembly code.

The *TMS320C6x C Source Debugger User's Guide* (literature number SPRU188) describes how to invoke the 'C6x simulator and emulator versions of the C source debugger interface and discusses various aspects of the debugger, including: command entry, code execution, data management, breakpoints, profiling, and analysis.

The *TMS320C6x Peripheral Support Library Programmer's Reference* (literature number SPRU273) describes the contents of the 'C6x peripheral support library of functions and macros. It lists functions and macros both by header file and alphabetically, provides a complete description of each, and gives code examples to show how they are used.

The *TMS320C6x Evaluation Module Reference Guide* (literature number SPRU269) provides instructions for installing and operating the 'C6x evaluation module. It also includes support software documentation, application programming interfaces, and technical reference material.

The *TMS320C62x/C67x Technical Brief* (literature number SPRU197) gives an introduction to the 'C62x/C67x devices, associated development tools, and third-party support.

A series of DSP textbooks is published by Prentice-Hall and John Wiley & Sons to support DSP research and education. The TMS320 newsletter, *Details on Signal Processing*, is published quarterly and distributed to update TMS320 customers on product information. The TMS320 DSP bulletin board service (BBS) provides access to information pertaining to the TMS320 family, including documentation, source code, and object code for many DSP algorithms and utilities. The BBS can be reached at 281/274-2323.

Information regarding TI DSP products is also available on the Worldwide Web at <http://www.ti.com> uniform resource locator (URL).



absolute maximum ratings over operating case temperature range (unless otherwise noted)[†]

Supply voltage range, CV_{DD} (see Note 1) for 'C6201	-0.3 V to 3 V
Supply voltage range, CV_{DD} (see Note 1) for 'C6201B	-0.3 V to 2.3 V
Supply voltage range, DV_{DD} (see Note 1)	-0.3 V to 4 V
Input voltage range	-0.3 V to 4 V
Output voltage range	-0.3 V to 4 V
Operating case temperature range, T_C (S temperature)	-55°C to 105°C
(M temperature)	-55°C to 125°C
Storage temperature range, T_{stg}	-55°C to 150°C

[†] Stresses beyond those listed under “absolute maximum ratings” may cause permanent damage to the device. These are stress ratings only, and functional operation of the device at these or any other conditions beyond those indicated under “recommended operating conditions” is not implied. Exposure to absolute-maximum-rated conditions for extended periods may affect device reliability.

NOTE 1: All voltage values are with respect to V_{SS} .

recommended operating conditions

	'C6201			'C6201B			UNIT
	MIN	NOM	MAX	MIN	NOM	MAX	
CV_{DD} Supply voltage	2.38	2.50	2.62	1.71	1.8	1.89	V
DV_{DD} Supply voltage	3.14	3.30	3.46	3.14	3.30	3.46	V
V_{SS} Supply ground	0	0	0	0	0	0	V
V_{IH} High-level input voltage	2.0			2.0			V
V_{IL} Low-level input voltage	0.8			0.8			V
I_{OH} High-level output current	-12			-12			mA
I_{OL} Low-level output current	12			12			mA
T_C Operating case temperature	-55		105	-55		125	°C

SM320C6201, SMJ320C6201B DIGITAL SIGNAL PROCESSORS

SGUS028A - NOVEMBER 1998 - REVISED JANUARY 1999

electrical characteristics over recommended ranges of supply voltage and operating case temperature (unless otherwise noted)

PARAMETER	TEST CONDITIONS	'C6201			'C6201B			UNIT
		MIN	TYP	MAX	MIN	TYP	MAX	
V _{OH}	High-level output voltage	D _{VDD} = MIN, I _{OH} = MAX			2.4			V
V _{OL}	Low-level output voltage	D _{VDD} = MIN, I _{OL} = MAX			0.6			V
I _I	Input current†	V _I = V _{SS} to D _{VDD}			±10			µA
I _{OZ}	Off-state output current	V _O = D _{VDD} or 0 V			±10			µA
I _{DD2V}	Supply current, CPU + CPU memory access‡	C _{VDD} = NOM, CPU clock = 167 MHz			1860			mA
I _{DD2V}	Supply current, peripherals§	C _{VDD} = NOM, CPU clock = 167 MHz			200			mA
I _{DD3V}	Supply current, I/O pins¶	D _{VDD} = NOM, CPU clock = 167 MHz			100			mA
C _i	Input capacitance				10			pF
C _o	Output capacitance				10			pF

† TMS and TDI are not included due to internal pullups.

‡ TRST is not included due to internal pulldown.

§ Measured with average CPU activity:

50% of time: 8 instructions per cycle, 32-bit DMEM access per cycle

50% of time: 2 instructions per cycle, 16-bit DMEM access per cycle

§ Measured with average peripheral activity:

50% of time: Timers at max rate

McBSPs at E1 rate

DMA burst transfer between DMEM and SDRAM

50% of time: Timers at max rate

McBSPs at E1 rate

DMA servicing McBSPs

¶ Measured with average I/O activity (30-pF load, SDCLK on):

25% of time: Reads from external SDRAM

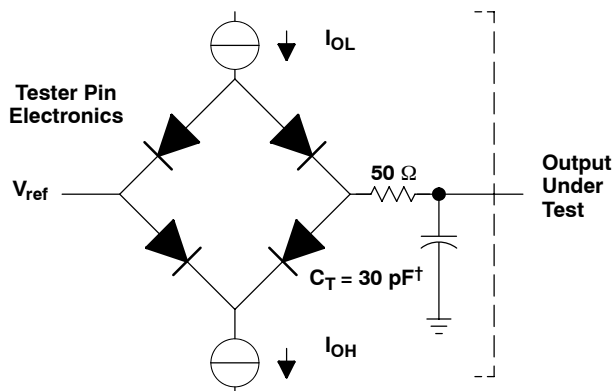
25% of time: Writes to external SDRAM

50% of time: No activity

PRODUCT PREVIEW information concerns products in the formative or design phase of development. Characteristic data and other specifications are design goals. Texas Instruments reserves the right to change or discontinue these products without notice.



PARAMETER MEASUREMENT INFORMATION



† Typical distributed load circuit capacitance

Figure 7. TTL-Level Outputs

signal transition levels

All input and output timing parameters are referenced to 1.5 V for both "0" and "1" logic levels.

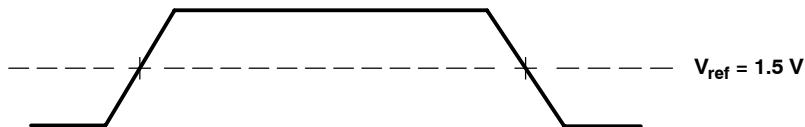


Figure 8. Input and Output Voltage Reference Levels for AC Timing Measurements

SM320C6201, SMJ320C6201B DIGITAL SIGNAL PROCESSORS

SGUS028A - NOVEMBER 1998 - REVISED JANUARY 1999

INPUT AND OUTPUT CLOCKS

timing requirements for CLKIN[†] (see Figure 9) ('C6201)

NO.		'C6201-150				UNIT
		CLKMODE = x4		CLKMODE = x1		
		MIN	MAX	MIN	MAX	
1	$t_{c(CLKIN)}$ Cycle time, CLKIN	24*		6.67		ns
2	$t_{w(CLKINH)}$ Pulse duration, CLKIN high	9.8*		2.7*		ns
3	$t_{w(CLKINL)}$ Pulse duration, CLKIN low	9.8*		2.7*		ns
4	$t_t(CLKIN)$ Transition time, CLKIN		5*		0.6*	ns

[†] The reference points for the rise and fall transitions are measured at 20% and 80%, respectively, of V_{IH} .

*This parameter is not production tested.

timing requirements for CLKIN (see Figure 9) ('C6201B)

NO.		'C6201B-150				'C6201B-200				UNIT
		CLKMODE = x4		CLKMODE = x1		CLKMODE = x4		CLKMODE = x1		
		MIN	MAX	MIN	MAX	MIN	MAX	MIN	MAX	
1	$t_{c(CLKIN)}$ Cycle time, CLKIN	24		6.67		20		5		ns
2	$t_{w(CLKINH)}$ Pulse duration, CLKIN high	9.8		2.7		8		2.25		ns
3	$t_{w(CLKINL)}$ Pulse duration, CLKIN low	9.8		2.7		8		2.25		ns
4	$t_t(CLKIN)$ Transition time, CLKIN		5		0.6		5		0.6	ns

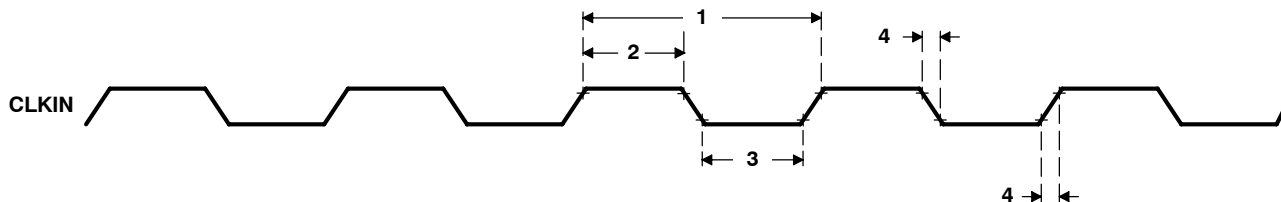


Figure 9. CLKIN Timings

PRODUCT PREVIEW information concerns products in the formative or design phase of development. Characteristic data and other specifications are design goals. Texas Instruments reserves the right to change or discontinue these products without notice.



INPUT AND OUTPUT CLOCKS (CONTINUED)

switching characteristics for CLKOUT1^{†‡} (see Figure 10) ('C6201)

NO.	PARAMETER	'C6201-150				UNIT
		CLKMODE = x4		CLKMODE = x1		
		MIN	MAX	MIN	MAX	
1	$t_{c(CKO1)}$ Cycle time, CLKOUT1	$P - 0.7^*$	$P + 0.7^*$	$P - 0.7^*$	$P + 0.7^*$	ns
2	$t_{w(CKO1H)}$ Pulse duration, CLKOUT1 high	$(P/2) - 0.5^*$	$(P/2) + 0.5^*$	$PH - 0.5^*$	$PH + 0.5^*$	ns
3	$t_{w(CKO1L)}$ Pulse duration, CLKOUT1 low	$(P/2) - 0.5^*$	$(P/2) + 0.5^*$	$PL - 0.5^*$	$PL + 0.5^*$	ns
4	$t_t(CKO1)$ Transition time, CLKOUT1		0.6^*		0.6^*	ns

[†] PH is the high period of CLKOUT1 in ns and PL is the low period of CLKOUT1 in ns.

[‡] P = 1/CPU clock frequency in nanoseconds (ns).

*This parameter is not production tested.

switching characteristics for CLKOUT1^{†‡} (see Figure 10) ('C6201B)

NO.	PARAMETER	'C6201B-150 'C6201B-200				UNIT
		CLKMODE = x4		CLKMODE = x1		
		MIN	MAX	MIN	MAX	
1	$t_{c(CKO1)}$ Cycle time, CLKOUT1	$P - 0.7$	$P + 0.7$	$P - 0.7$	$P + 0.7$	ns
2	$t_{w(CKO1H)}$ Pulse duration, CLKOUT1 high	$(P/2) - 0.5$	$(P/2) + 0.5$	$PH - 0.5$	$PH + 0.5$	ns
3	$t_{w(CKO1L)}$ Pulse duration, CLKOUT1 low	$(P/2) - 0.5$	$(P/2) + 0.5$	$PL - 0.5$	$PL + 0.5$	ns
4	$t_t(CKO1)$ Transition time, CLKOUT1		0.6		0.6	ns

[†] PH is the high period of CLKOUT1 in ns and PL is the low period of CLKOUT1 in ns.

[‡] P = 1/CPU clock frequency in nanoseconds (ns).

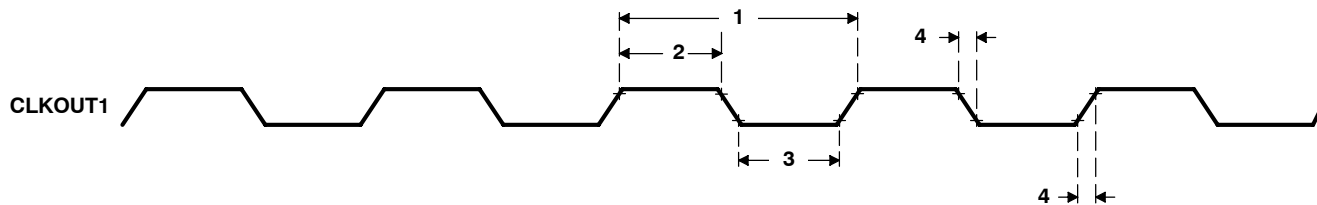


Figure 10. CLKOUT1 Timings

SM320C6201, SMJ320C6201B DIGITAL SIGNAL PROCESSORS

SGUS028A - NOVEMBER 1998 - REVISED JANUARY 1999

INPUT AND OUTPUT CLOCKS (CONTINUED)

switching characteristics for CLKOUT2[†] (see Figure 11)

NO.	PARAMETER	'C6201-150		'C6201B-150 'C6201B-200		UNIT
		MIN	MAX	MIN	MAX	
1	$t_c(\text{CKO2})$ Cycle time, CLKOUT2	$2P - 0.7^*$	$2P + 0.7^*$	$2P - 0.7$	$2P + 0.7$	ns
2	$t_w(\text{CKO2H})$ Pulse duration, CLKOUT2 high	$P - 0.7^*$	$P + 0.7^*$	$P - 0.7$	$P + 0.7$	ns
3	$t_w(\text{CKO2L})$ Pulse duration, CLKOUT2 low	$P - 0.7^*$	$P + 0.7^*$	$P - 0.7$	$P + 0.7$	ns
4	$t_t(\text{CKO2})$ Transition time, CLKOUT2		0.6*		0.6	ns

[†] P = 1/CPU clock frequency in ns.

*This parameter is not production tested.

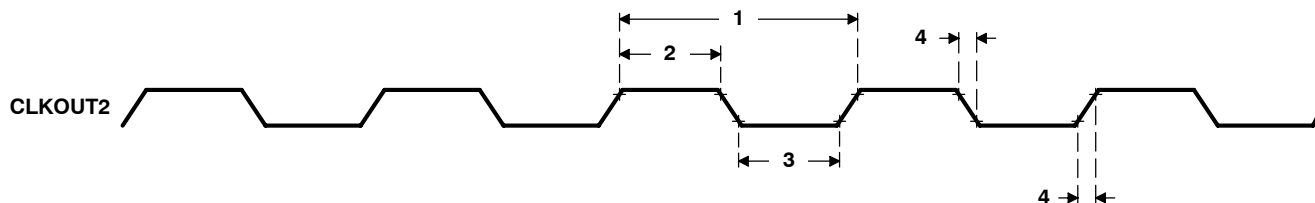


Figure 11. CLKOUT2 Timings

SDCLK, SSCLK timing parameters

SDCLK timing parameters are the same as CLKOUT2 parameters.

SSCLK timing parameters are the same as CLKOUT1 or CLKOUT2 parameters, depending on SSCLK configuration.

switching characteristics for the relation of SSCLK, SDCLK, and CLKOUT2 to CLKOUT1 (see Figure 12)[†]

NO.	PARAMETER	'C6201-150		'C6201B-150 'C6201B-200		UNIT
		MIN	MAX	MIN	MAX	
1	$t_d(\text{CKO1-SSCLK})$ Delay time, CLKOUT1 edge to SSCLK edge	-1.2*	1.6*	$(P/2) + 0.2$	$(P/2) + 4.2$	ns
2	$t_d(\text{CKO1-SSCLK1/2})$ Delay time, CLKOUT1 edge to SSCLK edge (1/2 clock rate)	-1.0*	2.4*	$(P/2) - 1$	$(P/2) + 2.4$	ns
3	$t_d(\text{CKO1-CKO2})$ Delay time, CLKOUT1 edge to CLKOUT2 edge	-1.0*	2.4*	$(P/2) - 1$	$(P/2) + 2.4$	ns
4	$t_d(\text{CKO1-SDCLK})$ Delay time, CLKOUT1 edge to SDCLK edge	-1.0*	2.4*	$(P/2) - 1$	$(P/2) + 2.4$	ns

[†] P = 1/CPU clock frequency in ns.

*This parameter is not production tested.

PRODUCT PREVIEW information concerns products in the formative or design phase of development. Characteristic data and other specifications are design goals. Texas Instruments reserves the right to change or discontinue these products without notice.



INPUT AND OUTPUT CLOCKS (CONTINUED)

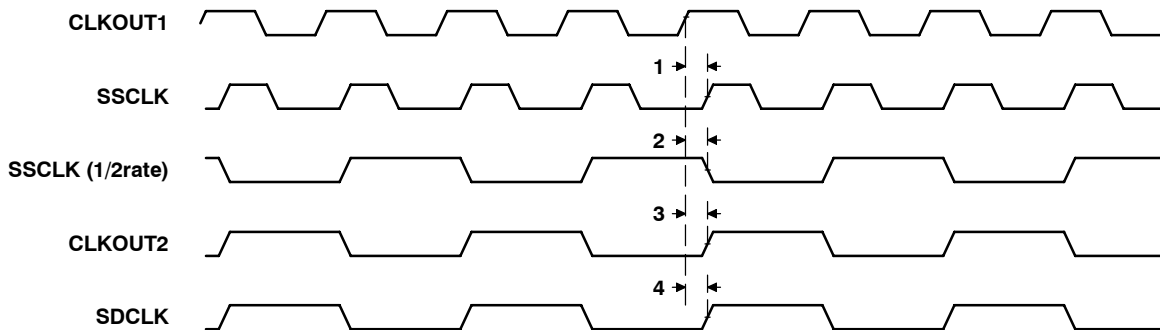


Figure 12. Relation of CLKOUT2, SDCLK, and SSCLK to CLKOUT1

SM320C6201, SMJ320C6201B DIGITAL SIGNAL PROCESSORS

SGUS028A - NOVEMBER 1998 - REVISED JANUARY 1999

ASYNCHRONOUS MEMORY TIMING

timing requirements for asynchronous memory cycles[†] (see Figure 13 and Figure 14)

NO.		'C6201-150		'C6201B-150		'C6201B-200		UNIT
		MIN	MAX	MIN	MAX	MIN	MAX	
6	$t_{su}(EDV-CKO1H)$ Setup time, read EDx valid before CLKOUT1 high	5.0		5.0		4.0		ns
7	$t_h(CKO1H-EDV)$ Hold time, read EDx valid after CLKOUT1 high	0		0		0.8		ns
10	$t_{su}(ARDY-CKO1H)$ Setup time, ARDY valid before CLKOUT1 high	5.0*		5.0		4.0		ns
11	$t_h(CKO1H-ARDY)$ Hold time, ARDY valid after CLKOUT1 high	0*		0		0.8		ns

[†] To ensure data setup time, simply program the strobe width wide enough. ARDY is internally synchronized. If ARDY does not meet setup or hold time, it may be recognized in the current cycle or the next cycle. Thus, ARDY can be an asynchronous input.

*This parameter is not production tested.

switching characteristics for asynchronous memory cycles[‡] (see Figure 13 and Figure 14)

NO.	PARAMETER	'C6201-150		'C6201B-150		'C6201B-200		UNIT
		MIN	MAX	MIN	MAX	MIN	MAX	
1	$t_d(CKO1H-CEV)$ Delay time, CLKOUT1 high to \overline{CEx} valid	-1.0	5.0	-1.0	5.0	-0.2	4.0	ns
2	$t_d(CKO1H-BEV)$ Delay time, CLKOUT1 high to \overline{BEx} valid	-1.0	5.0	-1.0	5.0	-0.2	4.0	ns
3	$t_d(CKO1H-BEIV)$ Delay time, CLKOUT1 high to \overline{BEx} invalid	-1.0*	5.0*	-1.0	5.0	-0.2	4.0	ns
4	$t_d(CKO1H-EAV)$ Delay time, CLKOUT1 high to EAx valid	-1.0	5.0	-1.0	5.0	-0.2	4.0	ns
5	$t_d(CKO1H-EAIV)$ Delay time, CLKOUT1 high to EAx invalid	-1.0*	5.0*	-1.0	5.0	-0.2	4.0	ns
8	$t_d(CKO1H-AOEV)$ Delay time, CLKOUT1 high to \overline{AOE} valid	-1.0	5.0	-1.0	5.0	-0.2	4.0	ns
9	$t_d(CKO1H-AREV)$ Delay time, CLKOUT1 high to \overline{ARE} valid	-1.0	5.0	-1.0	5.0	-0.2	4.0	ns
12	$t_d(CKO1H-EDV)$ Delay time, CLKOUT1 high to EDx valid		5.0		5.0		4.0	ns
13	$t_d(CKO1H-EDIV)$ Delay time, CLKOUT1 high to EDx invalid	-1.0*		-1.0		-0.2		ns
14	$t_d(CKO1H-AWEV)$ Delay time, CLKOUT1 high to \overline{AWE} valid	-1.0	5.0	-1.0	5.0	-0.2	4.0	ns

[‡] The minimum delay is also the minimum output hold after CLKOUT1 high.

*This parameter is not production tested.

PRODUCT PREVIEW information concerns products in the formative or design phase of development. Characteristic data and other specifications are design goals. Texas Instruments reserves the right to change or discontinue these products without notice.



ASYNCHRONOUS MEMORY TIMING (CONTINUED)

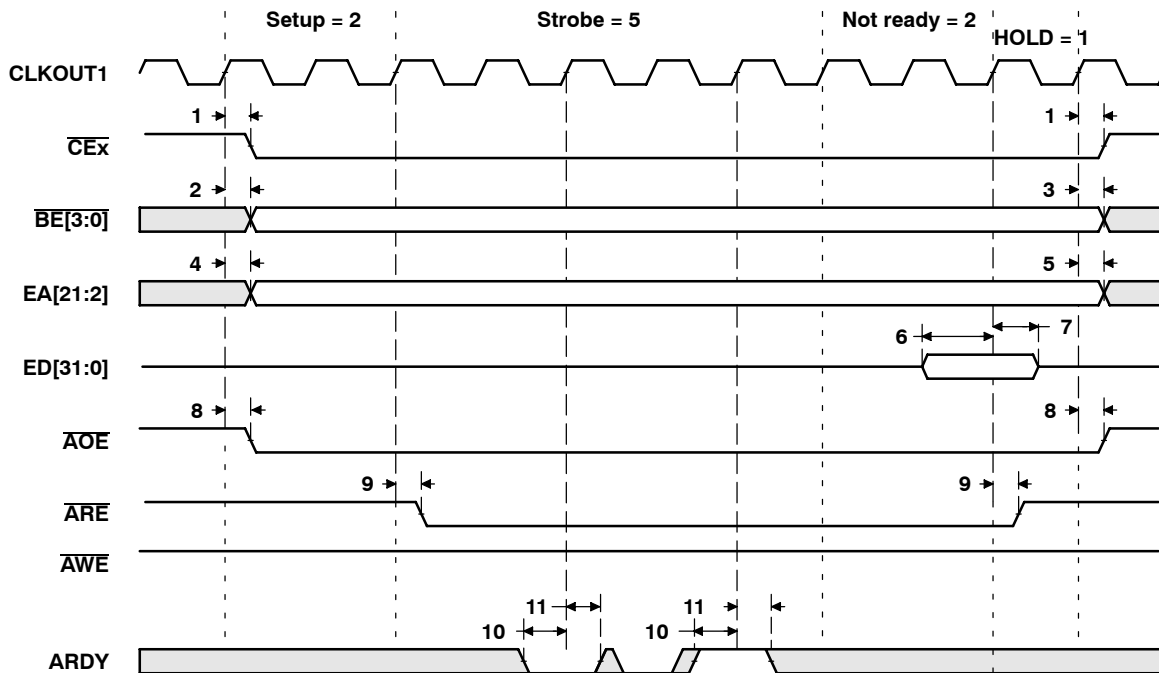


Figure 13. Asynchronous Memory Read Timing

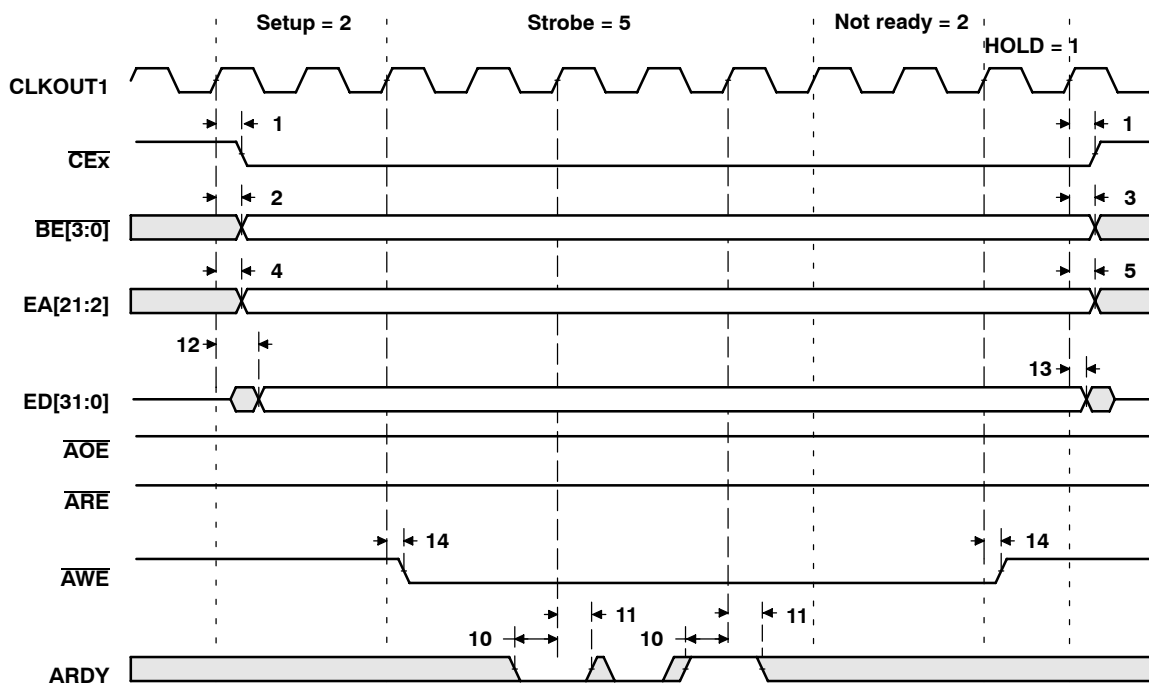


Figure 14. Asynchronous Memory Write Timing

SM320C6201, SMJ320C6201B DIGITAL SIGNAL PROCESSORS

SGUS028A - NOVEMBER 1998 - REVISED JANUARY 1999

SYNCHRONOUS-BURST MEMORY TIMING

timing requirements for synchronous-burst SRAM cycles (full-rate SSCLK) (see Figure 15)

NO.		'C6201-150		'C6201B-150 'C6201B-200		UNIT
		MIN	MAX	MIN	MAX	
7	$t_{su}(EDV-SSCLKH)$ Setup time, read EDx valid before SSCLK high	1.5		1.5		ns
8	$t_h(SSCLKH-EDV)$ Hold time, read EDx valid after SSCLK high	1.2		1.5		ns

switching characteristics for synchronous-burst SRAM cycles[†] (full-rate SSCLK)
(see Figure 15 and Figure 16)

NO.	PARAMETER	'C6201-150		'C6201B-150 'C6201B-200		UNIT
		MIN	MAX	MIN	MAX	
1	$t_{su}(CEV-SSCLKH)$ Setup time, \overline{CEx} valid before SSCLK high	P - 4.7		0.5P - 1.3		ns
2	$t_{oh}(SSCLKH-CEV)$ Output hold time, \overline{CEx} valid after SSCLK high	0		0.5P - 2.3		ns
3	$t_{su}(BEV-SSCLKH)$ Setup time, \overline{BEx} valid before SSCLK high	P - 4.7		0.5P - 1.3		ns
4	$t_{oh}(SSCLKH-BEIV)$ Output hold time, \overline{BEx} invalid after SSCLK high	1*		0.5P - 2.3		ns
5	$t_{su}(EAV-SSCLKH)$ Setup time, EAx valid before SSCLK high	P - 5.7		0.5P - 1.3		ns
6	$t_{oh}(SSCLKH-EAIV)$ Output hold time, EAx invalid after SSCLK high	1*		0.5P - 2.3		ns
9	$t_{su}(ADSV-SSCLKH)$ Setup time, \overline{SSADS} valid before SSCLK high	P - 3.7		0.5P - 1.3		ns
10	$t_{oh}(SSCLKH-ADSV)$ Output hold time, \overline{SSADS} valid after SSCLK high	0		0.5P - 2.3		ns
11	$t_{su}(OEV-SSCLKH)$ Setup time, \overline{SSOE} valid before SSCLK high	P - 4.7		0.5P - 1.3		ns
12	$t_{oh}(SSCLKH-OEV)$ Output hold time, \overline{SSOE} valid after SSCLK high	0		0.5P - 2.3		ns
13	$t_{su}(EDV-SSCLKH)$ Setup time, EDx valid before SSCLK high	P - 4.7		0.5P - 1.3		ns
14	$t_{oh}(SSCLKH-EDIV)$ Output hold time, EDx invalid after SSCLK high	1*		0.5P - 2.3		ns
15	$t_{su}(WEV-SSCLKH)$ Setup time, \overline{SSWE} valid before SSCLK high	P - 3.7		0.5P - 1.3		ns
16	$t_{oh}(SSCLKH-WEV)$ Output hold time, \overline{SSWE} valid after SSCLK high	0		0.5P - 2.3		ns

[†] The effects of internal clock jitter are included at test. There is no need to adjust timing numbers for internal clock jitter or SSCLK duty cycle.
P = 1/CPU clock frequency in ns. For example, when running parts at 150 MHz, use P = 6.67 ns.

*This parameter is not production tested.

PRODUCT PREVIEW information concerns products in the formative or design phase of development. Characteristic data and other specifications are design goals. Texas Instruments reserves the right to change or discontinue these products without notice.



SYNCHRONOUS-BURST MEMORY TIMING (CONTINUED)

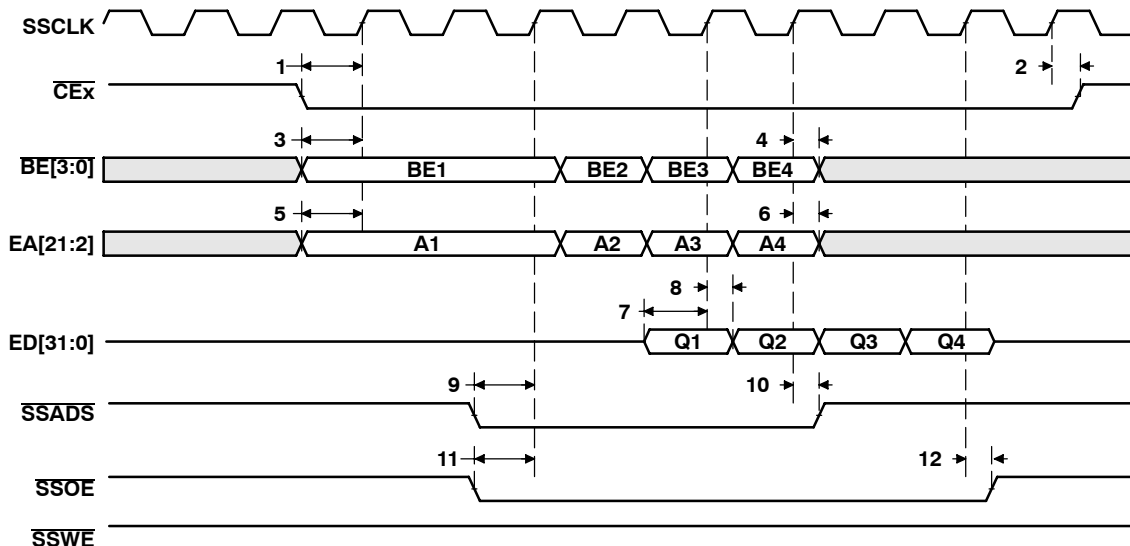


Figure 15. SBSRAM Read Timing (Full-Rate SSCLK)

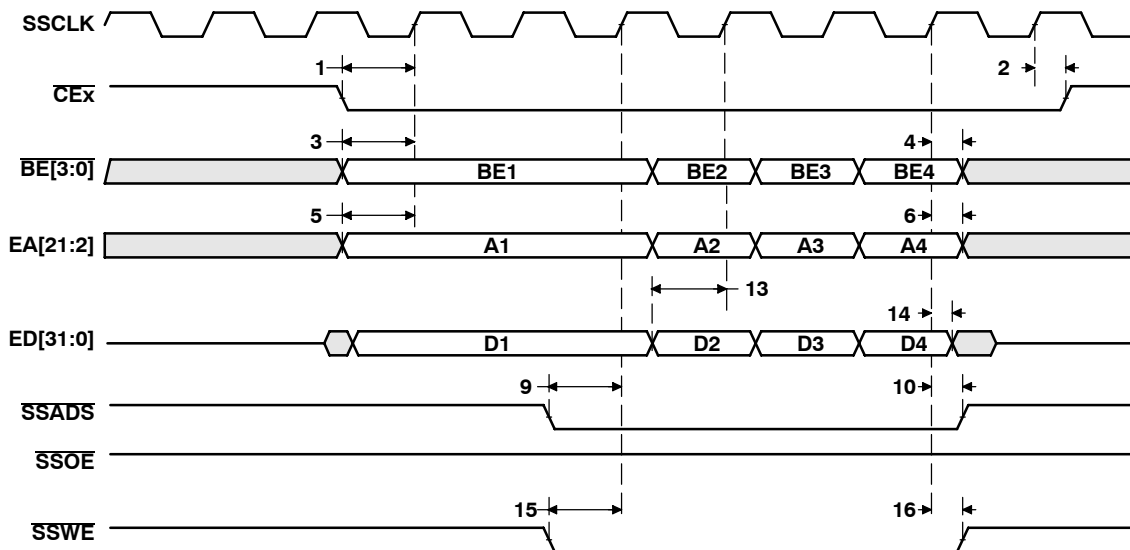


Figure 16. SBSRAM Write Timing (Full-Rate SSCLK)

SM320C6201, SMJ320C6201B DIGITAL SIGNAL PROCESSORS

SGUS028A - NOVEMBER 1998 - REVISED JANUARY 1999

SYNCHRONOUS-BURST MEMORY TIMING (CONTINUED)

timing requirements for synchronous-burst SRAM cycles (half-rate SSCLK)
(see Figure 17) ('C6201)

NO.		'C6201-150		UNIT
		MIN	MAX	
7	$t_{su}(EDV-SSCLKH)$ Setup time, read EDx valid before SSCLK high	3.6*		ns
8	$t_h(SSCLKH-EDV)$ Hold time, read EDx valid after SSCLK high	1.2*		ns

*This parameter is not production tested.

switching characteristics for synchronous-burst SRAM cycles[†] (half-rate SSCLK)
(see Figure 17 and Figure 18) ('C6201)

NO.	PARAMETER	'C6201-150		UNIT
		MIN	MAX	
1	$t_{su}(CEV-SSCLKH)$ Setup time, \overline{CEx} valid before SSCLK high	P - 4.1*		ns
2	$t_{oh}(SSCLKH-CEV)$ Output hold time, \overline{CEx} valid after SSCLK high	P - 5.7*		ns
3	$t_{su}(BEV-SSCLKH)$ Setup time, \overline{BEx} valid before SSCLK high	P - 4*		ns
4	$t_{oh}(SSCLKH-BEIV)$ Output hold time, \overline{BEx} invalid after SSCLK high	P - 5.7*		ns
5	$t_{su}(EAV-SSCLKH)$ Setup time, EAx valid before SSCLK high	P - 4*		ns
6	$t_{oh}(SSCLKH-EAIV)$ Output hold time, EAx invalid after SSCLK high	P - 5.7*		ns
9	$t_{su}(ADSV-SSCLKH)$ Setup time, \overline{SSADS} valid before SSCLK high	P - 4*		ns
10	$t_{oh}(SSCLKH-ADSV)$ Output hold time, \overline{SSADS} valid after SSCLK high	P - 5.7*		ns
11	$t_{su}(OEV-SSCLKH)$ Setup time, \overline{SSOE} valid before SSCLK high	P - 4*		ns
12	$t_{oh}(SSCLKH-OEV)$ Output hold time, \overline{SSOE} valid after SSCLK high	P - 5.7*		ns
13	$t_{su}(EDV-SSCLKH)$ Setup time, EDx valid before SSCLK high	P - 4*		ns
14	$t_{oh}(SSCLKH-EDIV)$ Output hold time, EDx invalid after SSCLK high	P - 5.7*		ns
15	$t_{su}(WEV-SSCLKH)$ Setup time, \overline{SSWE} valid before SSCLK high	P - 4*		ns
16	$t_{oh}(SSCLKH-WEV)$ Output hold time, \overline{SSWE} valid after SSCLK high	P - 5.7*		ns

[†] The effects of internal clock jitter are included at test. There is no need to adjust timing numbers for internal clock jitter or SSCLK duty cycle.
P = 1/CPU clock frequency in ns. For example, when running parts at 150 MHz, use P = 6.67 ns.

*This parameter is not production tested.



SYNCHRONOUS-BURST MEMORY TIMING (CONTINUED)

timing requirements for synchronous-burst SRAM cycles (half-rate SSCLK)
(see Figure 17) ('C6201B)

NO.		'C6201B-150		'C6201B-200		UNIT
		MIN	MAX	MIN	MAX	
7	$t_{su}(EDV-SSCLKH)$ Setup time, read EDx valid before SSCLK high	4.2		2.5		ns
8	$t_h(SSCLKH-EDV)$ Hold time, read EDx valid after SSCLK high	1.5		1.5		ns

switching characteristics for synchronous-burst SRAM cycles[†] (half-rate SSCLK)
(see Figure 17 and Figure 18) ('C6201B)

NO.	PARAMETER	'C6201B-150		'C6201B-200		UNIT
		MIN	MAX	MIN	MAX	
1	$t_{su}(CEV-SSCLKH)$ Setup time, \overline{CEx} valid before SSCLK high	1.5P	5.5	1.5P	3	ns
2	$t_{oh}(SSCLKH-CEV)$ Output hold time, \overline{CEx} valid after SSCLK high	0.5P	2.4	0.5P	1.5	ns
3	$t_{su}(BEV-SSCLKH)$ Setup time, \overline{BEx} valid before SSCLK high	1.5P	5.5	1.5P	3	ns
4	$t_{oh}(SSCLKH-BEV)$ Output hold time, \overline{BEx} invalid after SSCLK high	0.5P	2.4	0.5P	1.5	ns
5	$t_{su}(EAV-SSCLKH)$ Setup time, EAx valid before SSCLK high	1.5P	5.5	1.5P	3	ns
6	$t_{oh}(SSCLKH-EAV)$ Output hold time, EAx invalid after SSCLK high	0.5P	2.4	0.5P	1.5	ns
9	$t_{su}(ADSV-SSCLKH)$ Setup time, \overline{SSADS} valid before SSCLK high	1.5P	5.5	1.5P	3	ns
10	$t_{oh}(SSCLKH-ADSV)$ Output hold time, \overline{SSADS} valid after SSCLK high	0.5P	2.4	0.5P	1.5	ns
11	$t_{su}(OEV-SSCLKH)$ Setup time, \overline{SSOE} valid before SSCLK high	1.5P	5.5	1.5P	3	ns
12	$t_{oh}(SSCLKH-OEV)$ Output hold time, \overline{SSOE} valid after SSCLK high	0.5P	2.4	0.5P	1.5	ns
13	$t_{su}(EDV-SSCLKH)$ Setup time, EDx valid before SSCLK high	1.5P	5.5	1.5P	3	ns
14	$t_{oh}(SSCLKH-EDV)$ Output hold time, EDx invalid after SSCLK high	0.5P	2.4	0.5P	1.5	ns
15	$t_{su}(WEV-SSCLKH)$ Setup time, \overline{SSWE} valid before SSCLK high	1.5P	5.5	1.5P	3	ns
16	$t_{oh}(SSCLKH-WEV)$ Output hold time, \overline{SSWE} valid after SSCLK high	0.5P	2.4	0.5P	1.5	ns

[†] The effects of internal clock jitter are included at test. There is no need to adjust timing numbers for internal clock jitter or SSCLK duty cycle. P = 1/CPU clock frequency in ns. For example, when running parts at 150 MHz, use P = 6.67 ns.

PRODUCT PREVIEW

SYNCHRONOUS-BURST MEMORY TIMING (CONTINUED)

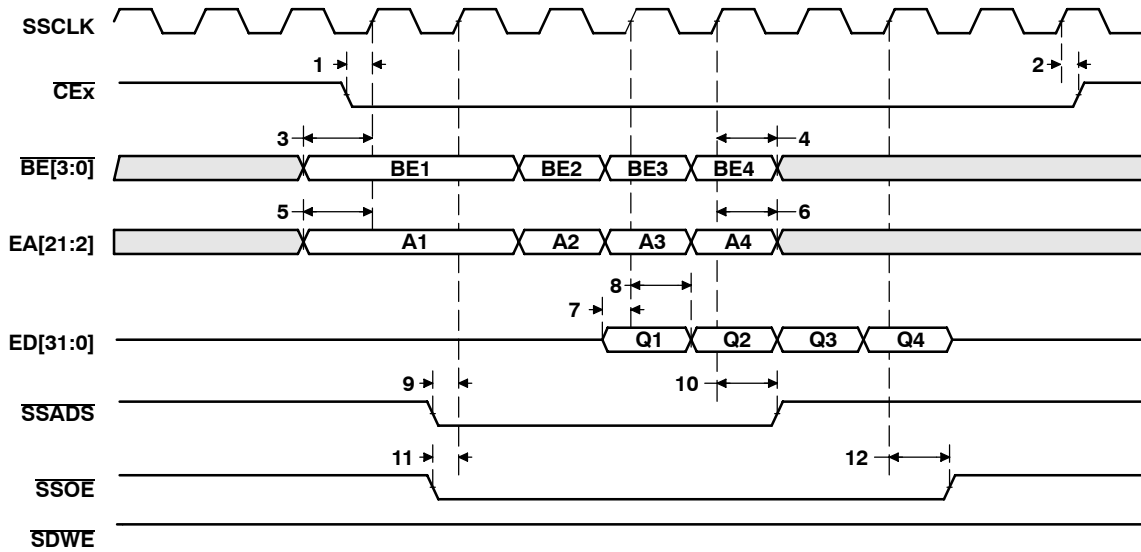


Figure 17. SBSRAM Read Timing (1/2 Rate SSCLK)

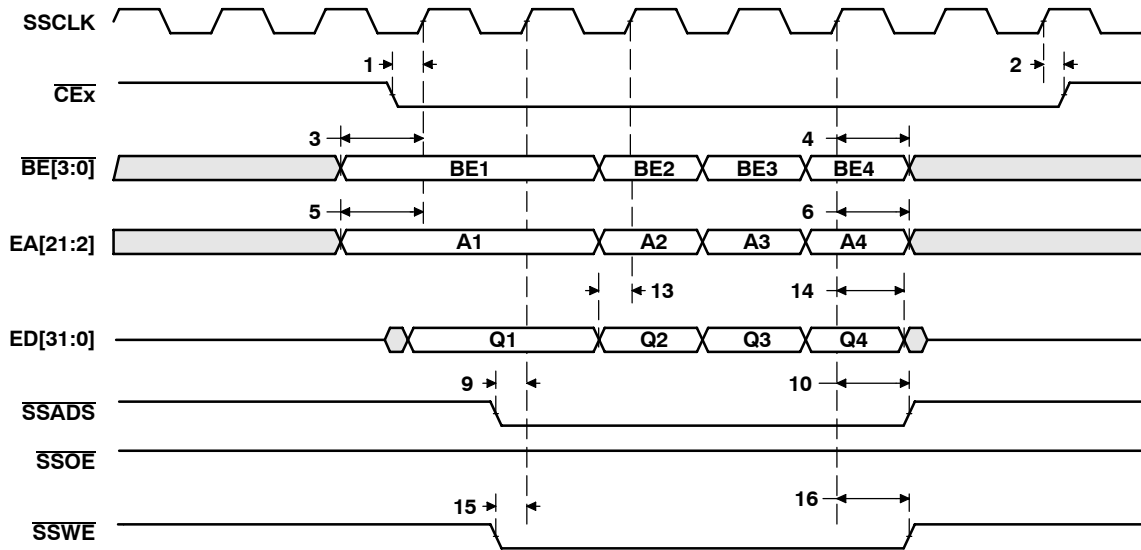


Figure 18. SBSRAM Write Timing (1/2 Rate SSCLK)

SYNCHRONOUS DRAM TIMING

timing requirements for synchronous DRAM cycles (see Figure 19) ('C6201)

NO.		'C6201-150		UNIT
		MIN	MAX	
7	$t_{su}(EDV-SDCLKH)$ Setup time, read EDx valid before SDCLK high	3.5		ns
8	$t_h(SDCLKH-EDV)$ Hold time, read EDx valid after SDCLK high	1.2		ns

switching characteristics for synchronous DRAM cycles[†] (see Figure 19–Figure 24) ('C6201)

NO.	PARAMETER	'C6201-150		UNIT
		MIN	MAX	
1	$t_{su}(CEV-SDCLKH)$ Setup time, \overline{CEx} valid before SDCLK high	P - 4.2		ns
2	$t_{oh}(SDCLKH-CEV)$ Output hold time, \overline{CEx} valid after SDCLK high	P - 5.2		ns
3	$t_{su}(BEV-SDCLKH)$ Setup time, \overline{BEx} valid before SDCLK high	P - 4.2		ns
4	$t_{oh}(SDCLKH-BEIV)$ Output hold time, \overline{BEx} invalid after SDCLK high	P - 5.2*		ns
5	$t_{su}(EAV-SDCLKH)$ Setup time, EAx valid before SDCLK high	P - 4.2		ns
6	$t_{oh}(SDCLKH-EAIV)$ Output hold time, EAx invalid after SDCLK high	P - 5.2*		ns
9	$t_{su}(SDCAS-SDCLKH)$ Setup time, \overline{SDCAS} valid before SDCLK high	P - 4.2		ns
10	$t_{oh}(SDCLKH-SDCAS)$ Output hold time, \overline{SDCAS} valid after SDCLK high	P - 5.2		ns
11	$t_{su}(EDV-SDCLKH)$ Setup time, EDx valid before SDCLK high	P - 4.2*		ns
12	$t_{oh}(SDCLKH-EDIV)$ Output hold time, EDx invalid after SDCLK high	P - 5.2*		ns
13	$t_{su}(SDWE-SDCLKH)$ Setup time, \overline{SDWE} valid before SDCLK high	P - 4.2		ns
14	$t_{oh}(SDCLKH-SDWE)$ Output hold time, \overline{SDWE} valid after SDCLK high	P - 5.2		ns
15	$t_{su}(SDA10V-SDCLKH)$ Setup time, SDA10 valid before SDCLK high	P - 4.2		ns
16	$t_{oh}(SDCLKH-SDA10IV)$ Output hold time, SDA10 invalid after SDCLK high	P - 5.2*		ns
17	$t_{su}(SDRAS-SDCLKH)$ Setup time, \overline{SDRAS} valid before SDCLK high	P - 4.2		ns
18	$t_{oh}(SDCLKH-SDRAS)$ Output hold time, \overline{SDRAS} valid after SDCLK high	P - 5.2		ns

[†] The effects of internal clock jitter are included at test. There is no need to adjust timing numbers for internal clock jitter or SDCLK duty cycle. P = 1/CPU clock frequency in ns. For example, when running parts at 150 MHz, use P = 6.67 ns.

*This parameter is not production tested.

SM320C6201, SMJ320C6201B DIGITAL SIGNAL PROCESSORS

SGUS028A - NOVEMBER 1998 - REVISED JANUARY 1999

SYNCHRONOUS DRAM TIMING (CONTINUED)

timing requirements for synchronous DRAM cycles (see Figure 19) ('C6201B)

NO.		'C6201B-150		'C6201B-200		UNIT
		MIN	MAX	MIN	MAX	
7	$t_{su}(EDV-SDCLKH)$ Setup time, read EDx valid before SDCLK high	1.5		1		ns
8	$t_h(SDCLKH-EDV)$ Hold time, read EDx valid after SDCLK high	3		3		ns

switching characteristics for synchronous DRAM cycles[†] (see Figure 19–Figure 24) ('C6201B)

NO.	PARAMETER	'C6201B-150		'C6201B-200		UNIT
		MIN	MAX	MIN	MAX	
1	$t_{su}(CEV-SDCLKH)$ Setup time, \overline{CEx} valid before SDCLK high	1.5P - 6		1.5P - 3.5		ns
2	$t_{oh}(SDCLKH-CEV)$ Output hold time, \overline{CEx} valid after SDCLK high	0.5P - 2		0.5P - 1		ns
3	$t_{su}(BEV-SDCLKH)$ Setup time, \overline{BEx} valid before SDCLK high	1.5P - 6		1.5P - 3.5		ns
4	$t_{oh}(SDCLKH-BEIV)$ Output hold time, \overline{BEx} invalid after SDCLK high	0.5P - 2		0.5P - 1		ns
5	$t_{su}(EAV-SDCLKH)$ Setup time, EAx valid before SDCLK high	1.5P - 6		1.5P - 3.5		ns
6	$t_{oh}(SDCLKH-EAIV)$ Output hold time, EAx invalid after SDCLK high	0.5P - 2		0.5P - 1		ns
9	$t_{su}(SDCAS-SDCLKH)$ Setup time, \overline{SDCAS} valid before SDCLK high	1.5P - 6		1.5P - 3.5		ns
10	$t_{oh}(SDCLKH-SDCAS)$ Output hold time, \overline{SDCAS} valid after SDCLK high	0.5P - 2		0.5P - 1		ns
11	$t_{su}(EDV-SDCLKH)$ Setup time, EDx valid before SDCLK high	1.5P - 6		1.5P - 3.5		ns
12	$t_{oh}(SDCLKH-EDIV)$ Output hold time, EDx invalid after SDCLK high	0.5P - 2		0.5P - 1		ns
13	$t_{su}(SDWE-SDCLKH)$ Setup time, \overline{SDWE} valid before SDCLK high	1.5P - 6		1.5P - 3.5		ns
14	$t_{oh}(SDCLKH-SDWE)$ Output hold time, \overline{SDWE} valid after SDCLK high	0.5P - 2		0.5P - 1		ns
15	$t_{su}(SDA10V-SDCLKH)$ Setup time, SDA10 valid before SDCLK high	1.5P - 6		1.5P - 3.5		ns
16	$t_{oh}(SDCLKH-SDA10IV)$ Output hold time, SDA10 invalid after SDCLK high	0.5P - 2		0.5P - 1		ns
17	$t_{su}(SDRAS-SDCLKH)$ Setup time, \overline{SDRAS} valid before SDCLK high	1.5P - 6		1.5P - 3.5		ns
18	$t_{oh}(SDCLKH-SDRAS)$ Output hold time, \overline{SDRAS} valid after SDCLK high	0.5P - 2		0.5P - 1		ns

[†] The effects of internal clock jitter are included at test. There is no need to adjust timing numbers for internal clock jitter or SDCLK duty cycle. P = 1/CPU clock frequency in ns. For example, when running parts at 150 MHz, use P = 6.67 ns.

PRODUCT PREVIEW

PRODUCT PREVIEW information concerns products in the formative or design phase of development. Characteristic data and other specifications are design goals. Texas Instruments reserves the right to change or discontinue these products without notice.



SYNCHRONOUS DRAM TIMING (CONTINUED)

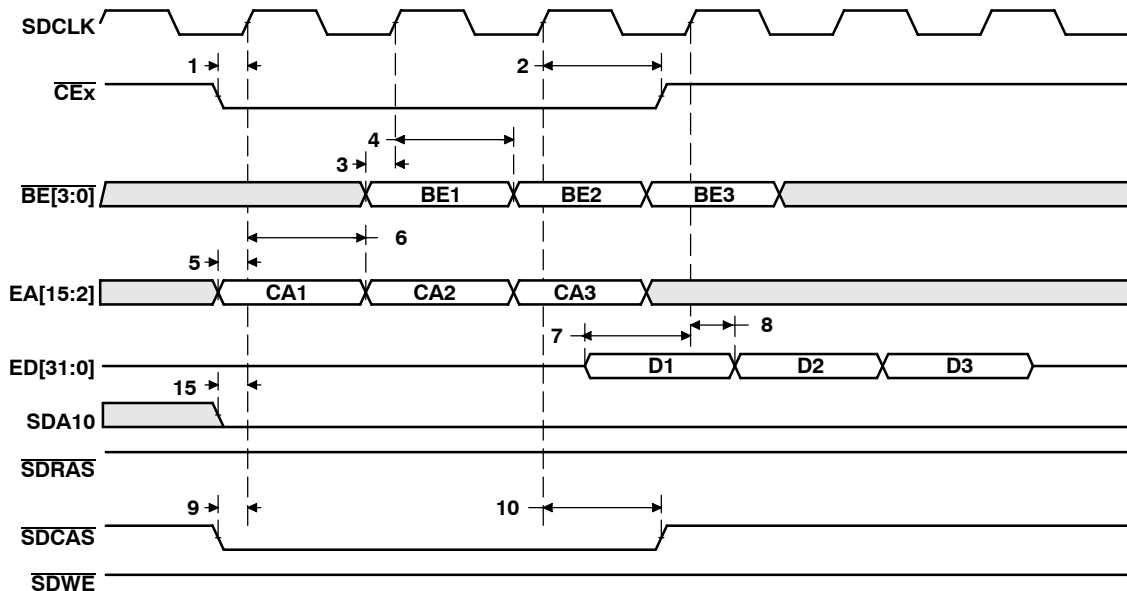


Figure 19. Three SDRAM Read Commands

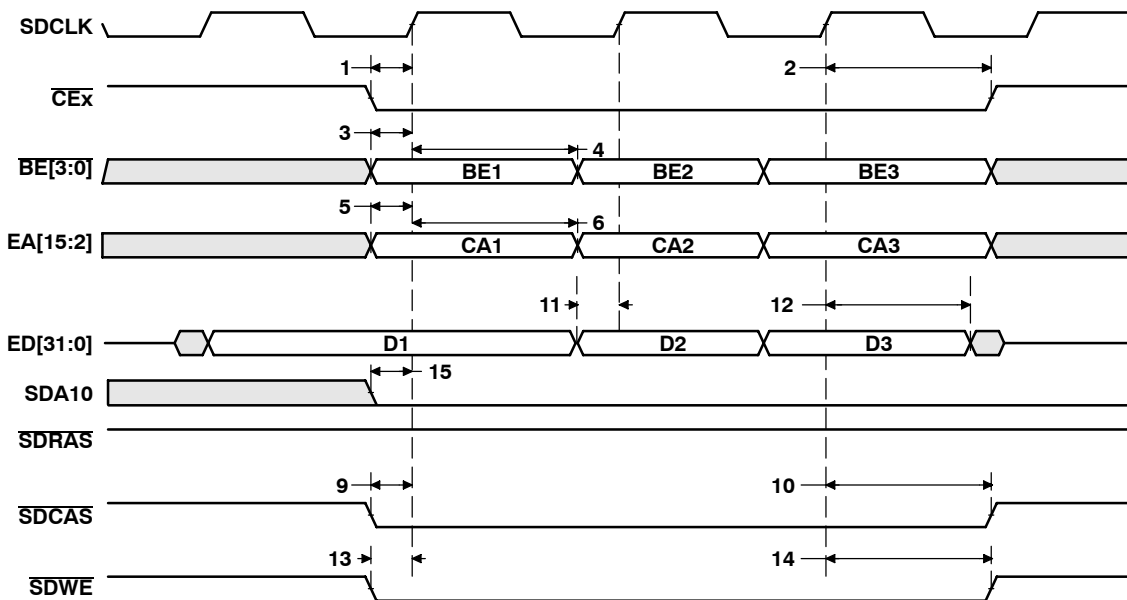


Figure 20. Three SDRAM WRT Commands

SYNCHRONOUS DRAM TIMING (CONTINUED)

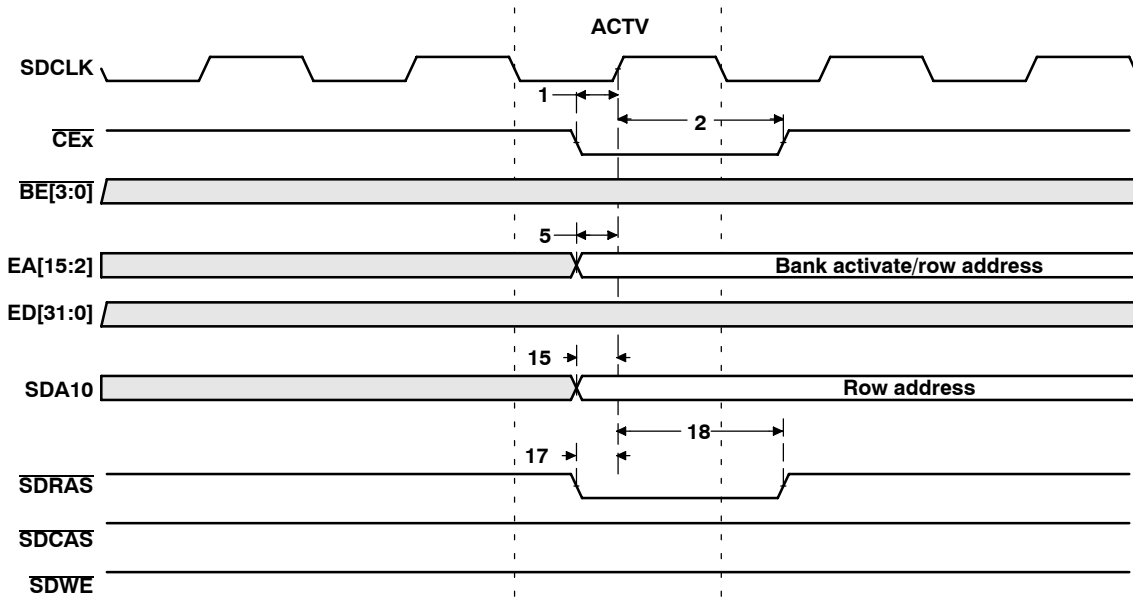


Figure 21. SDRAM ACTV Command

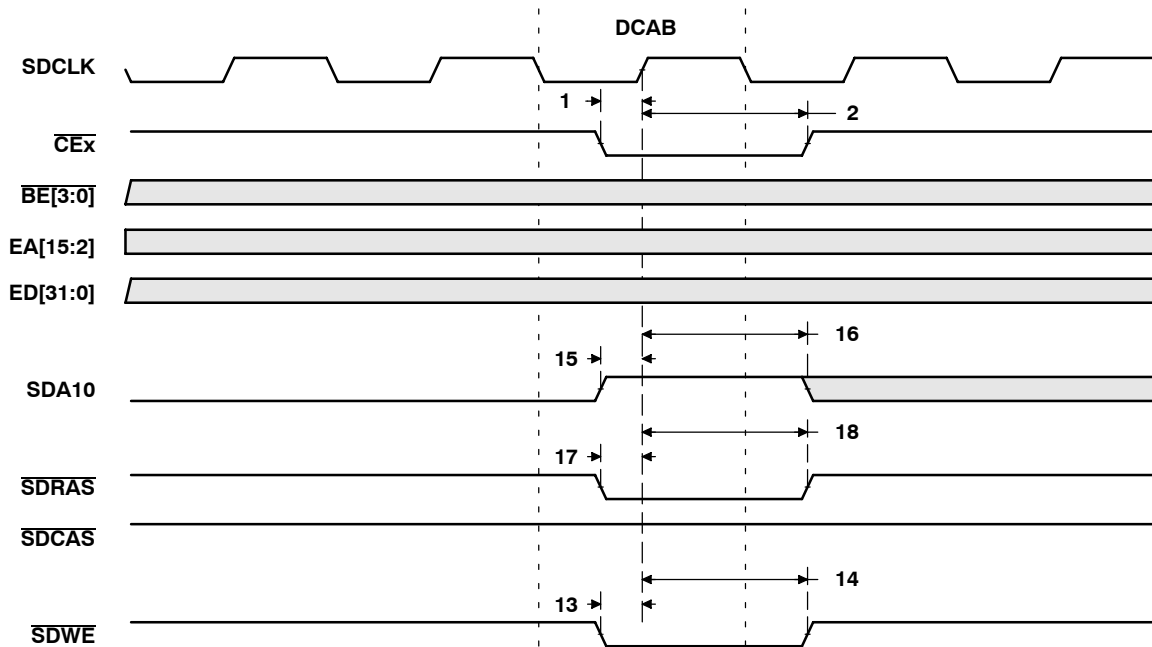


Figure 22. SDRAM DCAB Command

SYNCHRONOUS DRAM TIMING (CONTINUED)

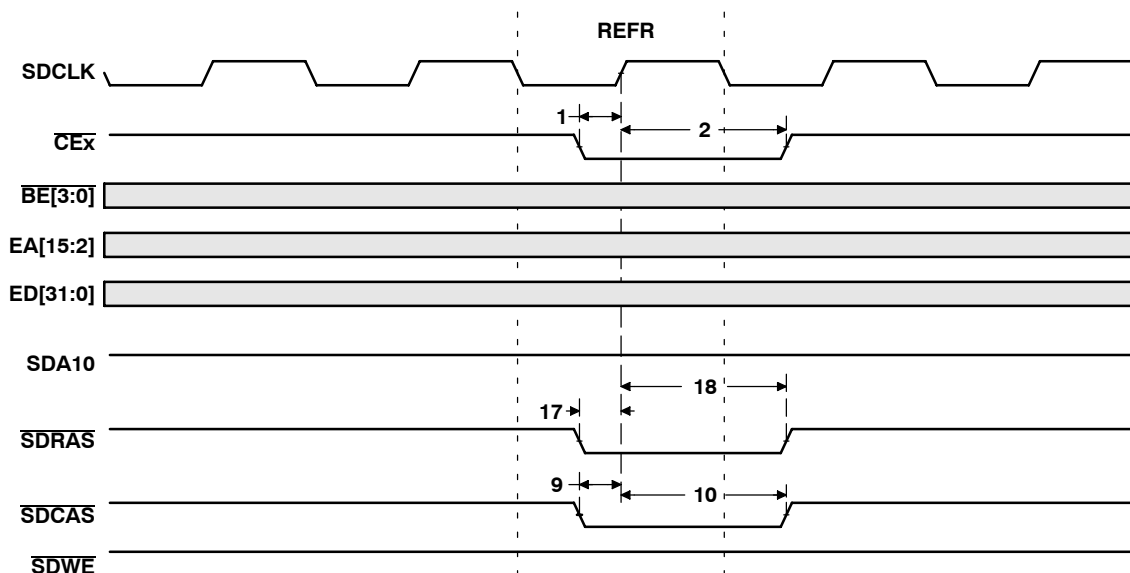


Figure 23. SDRAM REFR Command

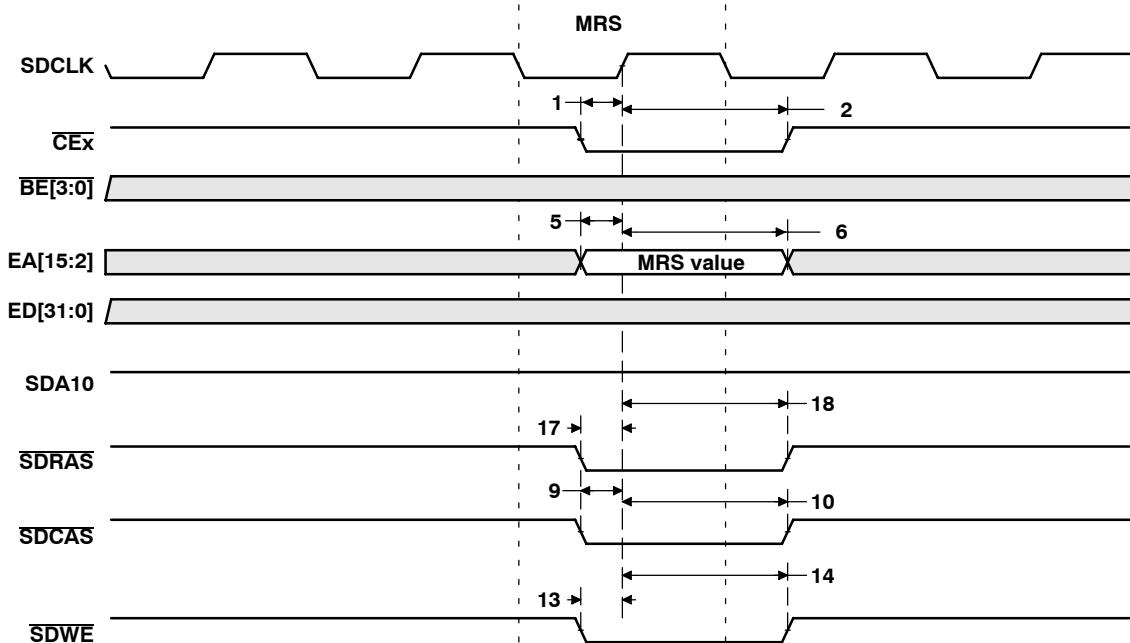


Figure 24. SDRAM MRS Command

SM320C6201, SMJ320C6201B DIGITAL SIGNAL PROCESSORS

SGUS028A - NOVEMBER 1998 - REVISED JANUARY 1999

HOLD/HOLDA TIMING

timing requirements for the $\overline{\text{HOLD}}/\overline{\text{HOLDA}}$ cycles[†] (see Figure 25)

NO.		'C6201-150		'C6201B-150 'C6201B-200		UNIT
		MIN	MAX	MIN	MAX	
1	$t_{su}(\overline{\text{HOLDH}}-\text{CKO1H})$ Setup time, $\overline{\text{HOLD}}$ high before CLKOUT1 high	5*		1		ns
2	$t_h(\text{CKO1H}-\overline{\text{HOLDL}})$ Hold time, $\overline{\text{HOLD}}$ low after CLKOUT1 high	2*		4		ns

[†] $\overline{\text{HOLD}}$ is synchronized internally. Therefore, if setup and hold times are not met, it will either be recognized in the current cycle or in the next cycle. Thus, $\overline{\text{HOLD}}$ can be an asynchronous input.

*This parameter is not production tested.

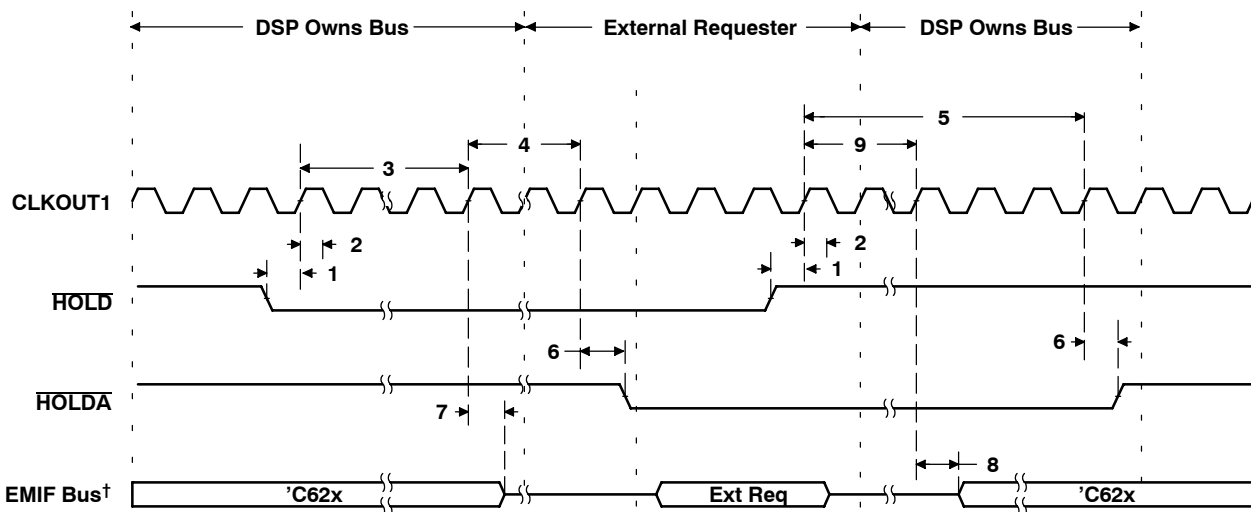
switching characteristics for the $\overline{\text{HOLD}}/\overline{\text{HOLDA}}$ cycles (see Figure 25)

NO.	PARAMETER	'C6201-150		'C6201B-150 'C6201B-200		UNIT
		MIN	MAX	MIN	MAX	
3	$t_R(\overline{\text{HOLDL}}-\text{BHZ})$ Response time, $\overline{\text{HOLD}}$ low to EMIF Bus high impedance	4*	‡	4	‡	CLKOUT1 cycles
4	$t_R(\text{BHZ}-\overline{\text{HOLDAL}})$ Response time, EMIF Bus high impedance to $\overline{\text{HOLDA}}$ low	1*	2*	1	2	CLKOUT1 cycles
5	$t_R(\overline{\text{HOLDH}}-\overline{\text{HOLDAH}})$ Response time, $\overline{\text{HOLD}}$ high to $\overline{\text{HOLDA}}$ high	4*	6	4	7	CLKOUT1 cycles
6	$t_d(\text{CKO1H}-\overline{\text{HOLDAL}})$ Delay time, CLKOUT1 high to $\overline{\text{HOLDA}}$ valid	-1*	5	1	8	ns
7	$t_d(\text{CKO1H}-\text{BHZ})$ Delay time, CLKOUT1 high to EMIF Bus high impedance [§]	-1*	5*	3	11	ns
8	$t_d(\text{CKO1H}-\text{BLZ})$ Delay time, CLKOUT1 high to EMIF Bus low impedance [§]	-1*	5*	3	11	ns
9	$t_R(\overline{\text{HOLDH}}-\text{BLZ})$ Response time, $\overline{\text{HOLD}}$ high to EMIF Bus low impedance	3*	5*	3	6	CLKOUT1 cycles

*This parameter is not production tested.

‡ All pending EMIF transactions are allowed to complete before $\overline{\text{HOLDA}}$ is asserted. The worst cases for this is an asynchronous read or write with external ARDY used or a minimum of eight consecutive SDRAM reads or writes when RBTR8 = 1. If no bus transactions are occurring, then the minimum delay time can be achieved. Also, bus hold can be indefinitely delayed by setting NOHOLD = 1.

§ EMIF Bus consists of CE[3:0], BE[3:0], ED[31:0], EA[21:2], ARE, AOE, AWE, SSADS, SSOE, SSWE, SDA10, SDRAS, SDCAS, and SDWE.



[†] EMIF Bus consists of CE[3:0], BE[3:0], ED[31:0], EA[21:2], ARE, AOE, AWE, SSADS, SSOE, SSWE, SDA10, SDRAS, SDCAS, and SDWE.

Figure 25. $\overline{\text{HOLD}}/\overline{\text{HOLDA}}$ Timing

PRODUCT PREVIEW information concerns products in the formative or design phase of development. Characteristic data and other specifications are design goals. Texas Instruments reserves the right to change or discontinue these products without notice.



RESET TIMING

timing requirements for reset (see Figure 26)

NO.			'C6201-150		'C6201B-150 'C6201B-200		UNIT
			MIN	MAX	MIN	MAX	
1	$t_{w(RST)}$	Width of the \overline{RESET} pulse (PLL stable)	10*		10		CLKOUT1 cycles
		Width of the \overline{RESET} pulse (PLL needs to sync up) [†]	250*		250		μ s

*This parameter is not production tested.

[†] The \overline{RESET} signal is not connected internally to the clock PLL circuit. The PLL, however, may need up to 250 μ s to stabilize following device powerup or after PLL configuration has been changed. During that time, \overline{RESET} must be asserted to ensure proper device operation. See the *clock PLL* section for PLL lock times.

switching characteristics during reset[‡] (see Figure 26)

NO.	PARAMETER		'C6201-150		'C6201B-150 'C6201B-200		UNIT
			MIN	MAX	MIN	MAX	
2	$t_{R(RST)}$	Response time to change of value in \overline{RESET} signal	2		2		CLKOUT1 cycles
3	$t_{d(CKO1H-CKO2IV)}$	Delay time, CLKOUT1 high to CLKOUT2 invalid	-1*	10*	-1	10	ns
4	$t_{d(CKO1H-CKO2V)}$	Delay time, CLKOUT1 high to CLKOUT2 valid	-1*	10	-1	10	ns
5	$t_{d(CKO1H-SDCLKIV)}$	Delay time, CLKOUT1 high to SDCLK invalid	-1*	10*	-1	10	ns
6	$t_{d(CKO1H-SDCLKV)}$	Delay time, CLKOUT1 high to SDCLK valid	-1*	10	-1	10	ns
7	$t_{d(CKO1H-SSCKIV)}$	Delay time, CLKOUT1 high to SSCLK invalid	-1*	10*	-1	10	ns
8	$t_{d(CKO1H-SSCKV)}$	Delay time, CLKOUT1 high to SSCLK valid	-1*	10	-1	10	ns
9	$t_{d(CKO1H-LOWIV)}$	Delay time, CLKOUT1 high to low group invalid	-1*	10*	-1	10	ns
10	$t_{d(CKO1H-LOWV)}$	Delay time, CLKOUT1 high to low group valid	-1*		-1		ns
11	$t_{d(CKO1H-HIGHIV)}$	Delay time, CLKOUT1 high to high group invalid	-1*	10*	-1	10	ns
12	$t_{d(CKO1H-HIGHV)}$	Delay time, CLKOUT1 high to high group valid	-1*		-1		ns
13	$t_{d(CKO1H-ZHZ)}$	Delay time, CLKOUT1 high to Z group high impedance	-1*	10*	-1	10	ns
14	$t_{d(CKO1H-ZV)}$	Delay time, CLKOUT1 high to Z group valid	-1*		-1		ns

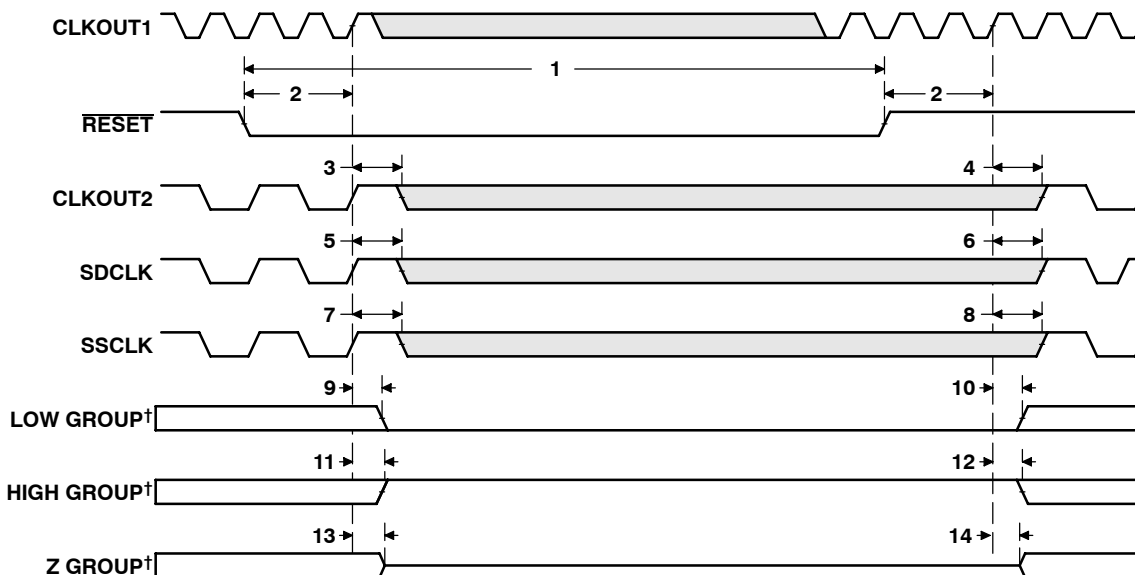
[‡] Low group consists of: IACK, INUM[3:0], DMAC[3:0], PD, TOUT0, and TOUT1

High group consists of: HRDY and HINT

Z group consists of: EA[21:2], ED[31:0], CE[3:0], BE[3:0], ARE, AWE, AOE, SSADS, SSOE, SSWE, SDA10, SDRAS, SDCAS, SDWE, HD[15:0], CLKX0, CLKX1, FSX0, FSX1, DX0, DX1, CLKR0, CLKR1, FSR0, and FSR1.

*This parameter is not production tested.

RESET TIMING (CONTINUED)



† Low group consists of: IACK, INUM[3:0], DMAC[3:0], PD, TOUT0, and TOUT1
 High group consists of: HRDY and HINT
 Z group consists of: EA[21:2], ED[31:0], CE[3:0], BE[3:0], ARE, AWE, AOE, SSADS, SSOE, SSWE, SDA10, SDRAS, SDCAS, SDWE, HD[15:0], CLKX0, CLKX1, FSX0, FSX1, DX0, DX1, CLKR0, CLKR1, FSR0, and FSR1.

Figure 26. Reset Timing

EXTERNAL INTERRUPT/RESET TIMING

timing requirements for interrupt response cycles[†] (see Figure 27)

NO.			'C6201-150		'C6201B-150 'C6201B-200		UNIT
			MIN	MAX	MIN	MAX	
3	$t_{w(ILOW)}$	Width of the interrupt pulse low	2		2		CLKOUT1 cycles
4	$t_{w(IHIGH)}$	Width of the interrupt pulse high	2		2		CLKOUT1 cycles

[†] Interrupt signals are synchronized internally and are potentially recognized one cycle later if setup and hold times are violated. Thus, they can be connected to asynchronous inputs.

switching characteristics during interrupt response cycles (see Figure 27)

NO.	PARAMETER	'C6201-150		'C6201B-150 'C6201B-200		UNIT
		MIN	MAX	MIN	MAX	
1	$t_{R(EINTH-IACKH)}$	Response time, EXT_INTx high to IACK high		g [‡]		CLKOUT1 cycles
2	$t_{R(ISFP)}$	Response time, interrupt service fetch packet execution after EXT_INTx high		11 [‡]		CLKOUT1 cycles
5	$t_{d(CKO2L-IACKV)}$	Delay time, CLKOUT2 low to IACK valid		0*	10	ns
6	$t_{d(CKO2L-INUMV)}$	Delay time, CLKOUT2 low to INUMx valid		0*	10	ns
7	$t_{d(CKO2L-INUMIV)}$	Delay time, CLKOUT2 low to INUMx invalid		0*	10*	ns

[‡] Add two CLKOUT1 cycles to this parameter if the interrupt is recognized during the high half of CLKOUT2

*This parameter is not production tested.

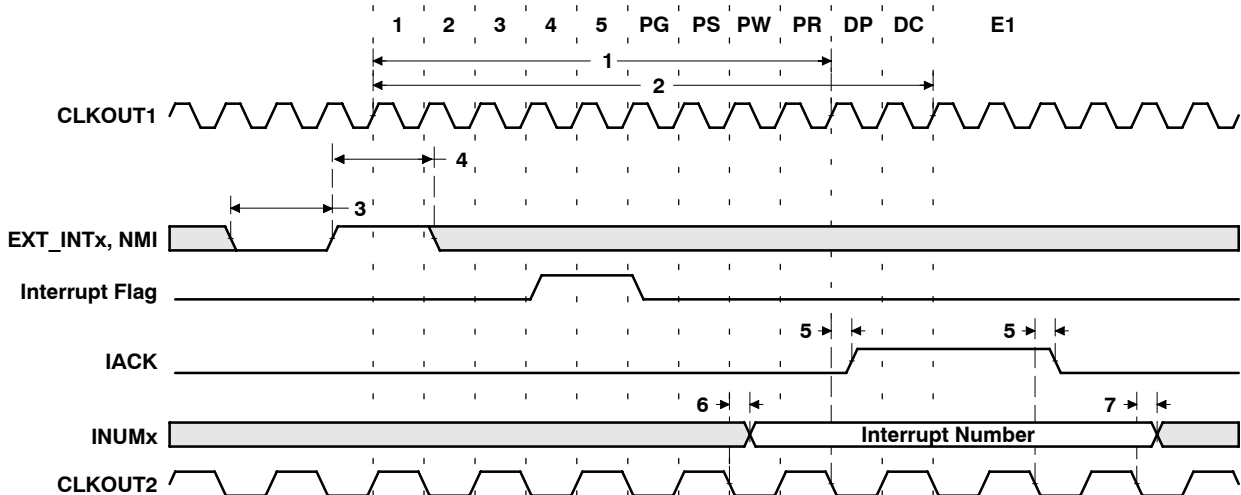


Figure 27. Interrupt Timing

SM320C6201, SMJ320C6201B DIGITAL SIGNAL PROCESSORS

SGUS028A - NOVEMBER 1998 - REVISED JANUARY 1999

HOST-PORT INTERFACE TIMING

timing requirements for host-port interface cycles[†] (see Figure 28, Figure 29, Figure 30, and Figure 31)

NO.			'C6201-150		'C6201B-150 'C6201B-200		UNIT
			MIN	MAX	MIN	MAX	
1	$t_{su}(SEL-HSTBL)$	Setup time, select signals [‡] valid before $\overline{HSTROBE}$ low	1		1		ns
2	$t_h(HSTBL-SEL)$	Hold time, select signals [‡] valid after $\overline{HSTROBE}$ low	2		2		ns
3	$t_w(HSTBL)$	Pulse duration, $\overline{HSTROBE}$ low	2		2		CLKOUT1 cycles
4	$t_w(HSTBH)$	Pulse duration, $\overline{HSTROBE}$ high between consecutive accesses	2*		2		CLKOUT1 cycles
10	$t_{su}(SEL-HASL)$	Setup time, select signals [‡] valid before \overline{HAS} low	1		1		ns
11	$t_h(HASL-SEL)$	Hold time, select signals [‡] valid after \overline{HAS} low	2		2		ns
12	$t_{su}(HDV-HSTBH)$	Setup time, host data valid before $\overline{HSTROBE}$ high	1		1		ns
13	$t_h(HSTBH-HDV)$	Hold time, host data valid after $\overline{HSTROBE}$ high	1		1		ns
14	$t_h(HRDYL-HSTBL)$	Hold time, $\overline{HSTROBE}$ low after \overline{HRDY} low. $\overline{HSTROBE}$ should not be inactivated until \overline{HRDY} is active (low); otherwise, HPI writes will not complete properly.	1*		1		ns

[†] $\overline{HSTROBE}$ refers to the following logical operation on \overline{HCS} , $\overline{HDS1}$, and $\overline{HDS2}$: $[\text{NOT}(\overline{HDS1} \text{ XOR } \overline{HDS2})] \text{ OR } \overline{HCS}$.

[‡] Select signals include: $\overline{HCNTRL}[1:0]$, $\overline{HR}/\overline{W}$, and \overline{HHWIL} .

*This parameter is not production tested.

switching characteristics during host-port interface cycles^{†§} (see Figure 28, Figure 29, Figure 30, and Figure 31)

NO.	PARAMETER	'C6201-150		'C6201B-150 'C6201B-200		UNIT	
		MIN	MAX	MIN	MAX		
5	$t_d(\overline{HCS}-\overline{HRDY})$	Delay time, \overline{HCS} to \overline{HRDY} [¶]	1*	7*	1	7	ns
6	$t_d(\overline{HSTBL}-\overline{HRDYH})$	Delay time, $\overline{HSTROBE}$ low to \overline{HRDY} high [#]	3*	12*	3	12	ns
7	$t_{oh}(\overline{HSTBL}-\text{HDLZ})$	Output hold time, HD low impedance after $\overline{HSTROBE}$ low for an HPI read	4*		4		ns
8	$t_d(\text{HDV}-\overline{HRDYH})$	Delay time, HD valid to \overline{HRDY} low	P - 3*	P*	P - 2	P	ns
9	$t_{oh}(\text{HSTBH}-\text{HDV})$	Output hold time, HD valid after $\overline{HSTROBE}$ high	3*	12*	3	12	ns
15	$t_d(\text{HSTBH}-\text{HDHZ})$	Delay time, $\overline{HSTROBE}$ high to HD high impedance	3*	12*	3	12	ns
16	$t_d(\overline{HSTBL}-\text{HDV})$	Delay time, $\overline{HSTROBE}$ low to HD valid	3*	12*	3	12	ns
17	$t_d(\text{HSTBH}-\overline{HRDYH})$	Delay time, $\overline{HSTROBE}$ high to \overline{HRDY} high	3*	12*	3	12	ns

[†] $\overline{HSTROBE}$ refers to the following logical operation on \overline{HCS} , $\overline{HDS1}$, and $\overline{HDS2}$: $[\text{NOT}(\overline{HDS1} \text{ XOR } \overline{HDS2})] \text{ OR } \overline{HCS}$.

[§] The effects of internal clock jitter are included at test. There is no need to adjust timing numbers for internal clock jitter. P = 1/CPU clock frequency in ns. For example, when running parts at 150 MHz, use P = 6.67 ns.

[¶] \overline{HCS} enables \overline{HRDY} , and \overline{HRDY} is always low when \overline{HCS} is high. The case where \overline{HRDY} goes high when \overline{HCS} falls indicates that HPI is busy completing a previous HPID write or READ with autoincrement.

*This parameter is not production tested.

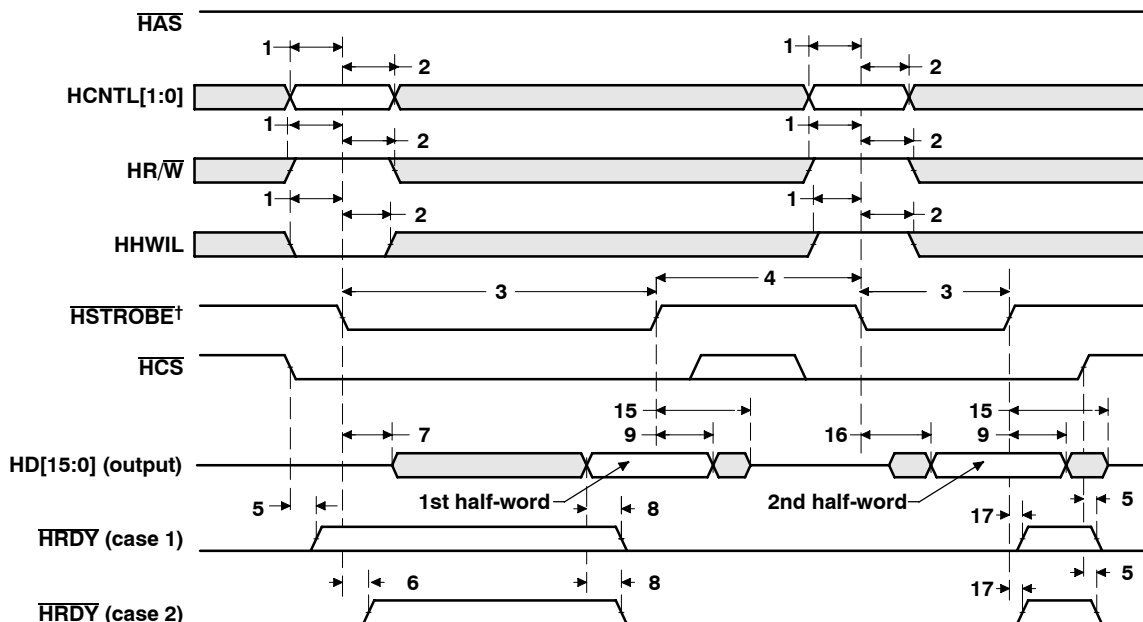
[#] This parameter is used during an HPID read. At the beginning of the first half-word transfer on the falling edge of $\overline{HSTROBE}$, the HPI sends the request to the DMA auxiliary channel, and \overline{HRDY} remains high until the DMA auxiliary channel loads the requested data into HPID.

^{||} This parameter is used after the second half-word of an HPID write or autoincrement read. \overline{HRDY} remains low if the access is not an HPID write or autoincrement read. Reading or writing to HPIC or HPIA does not affect the \overline{HRDY} signal.

PRODUCT PREVIEW information concerns products in the formative or design phase of development. Characteristic data and other specifications are design goals. Texas Instruments reserves the right to change or discontinue these products without notice.

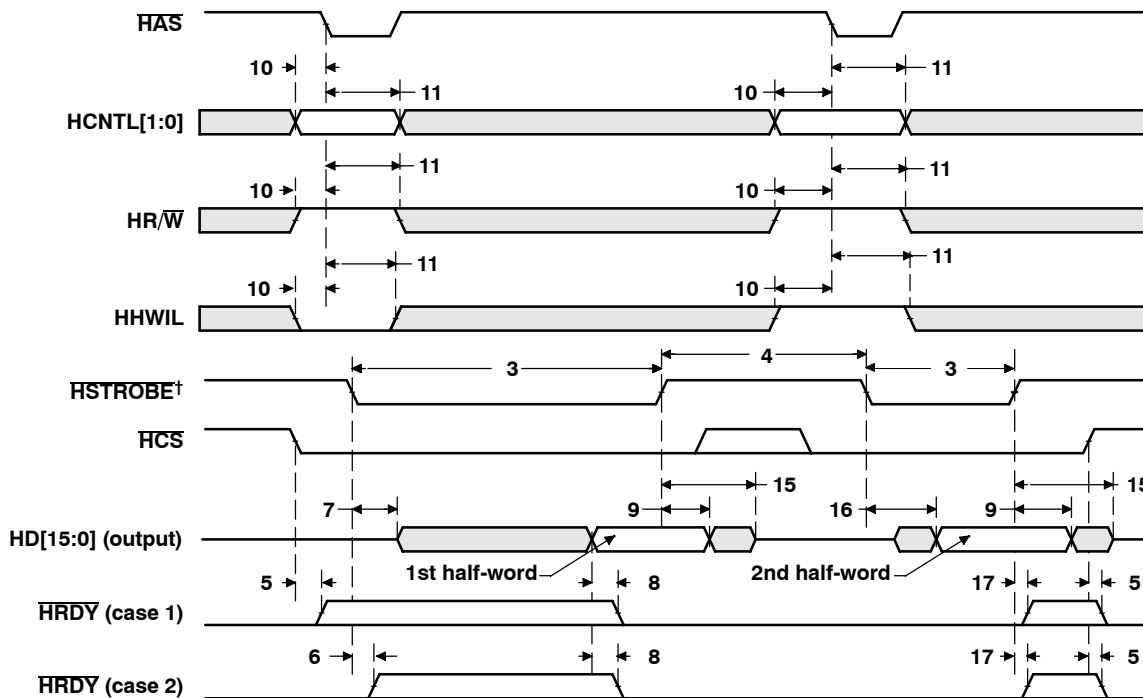


HOST-PORT INTERFACE TIMING (CONTINUED)



† HSTROBE refers to the following logical operation on HCS, HDS1, and HDS2: [NOT(HDS1 XOR HDS2)] OR HCS.

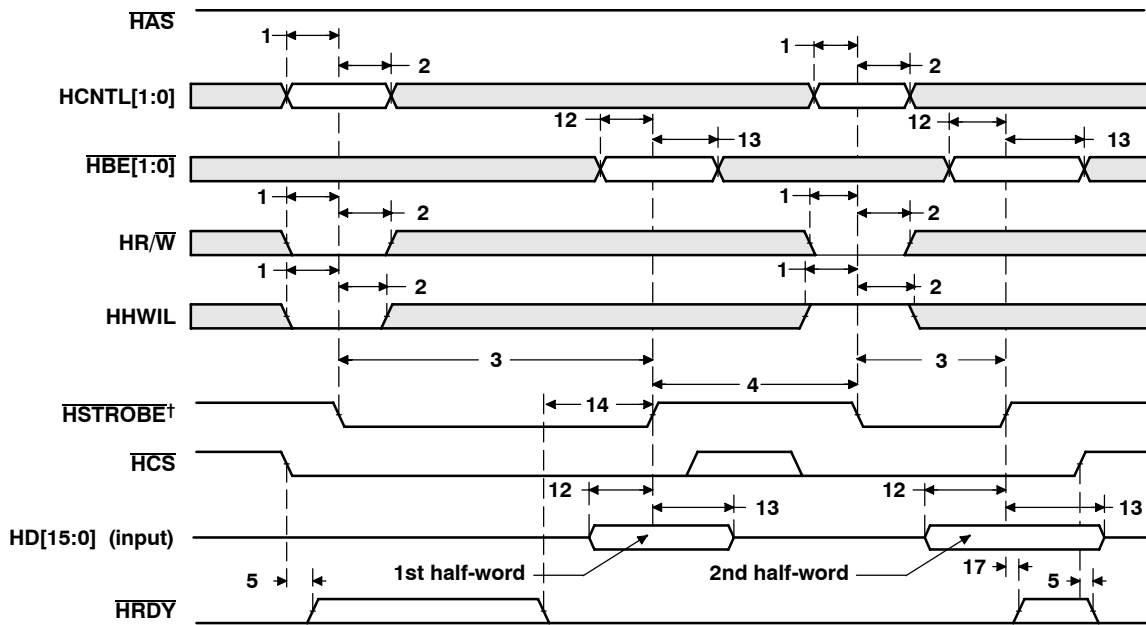
Figure 28. HPI Read Timing (HAS Not Used, Tied High)



† HSTROBE refers to the following logical operation on HCS, HDS1, and HDS2: [NOT(HDS1 XOR HDS2)] OR HCS.

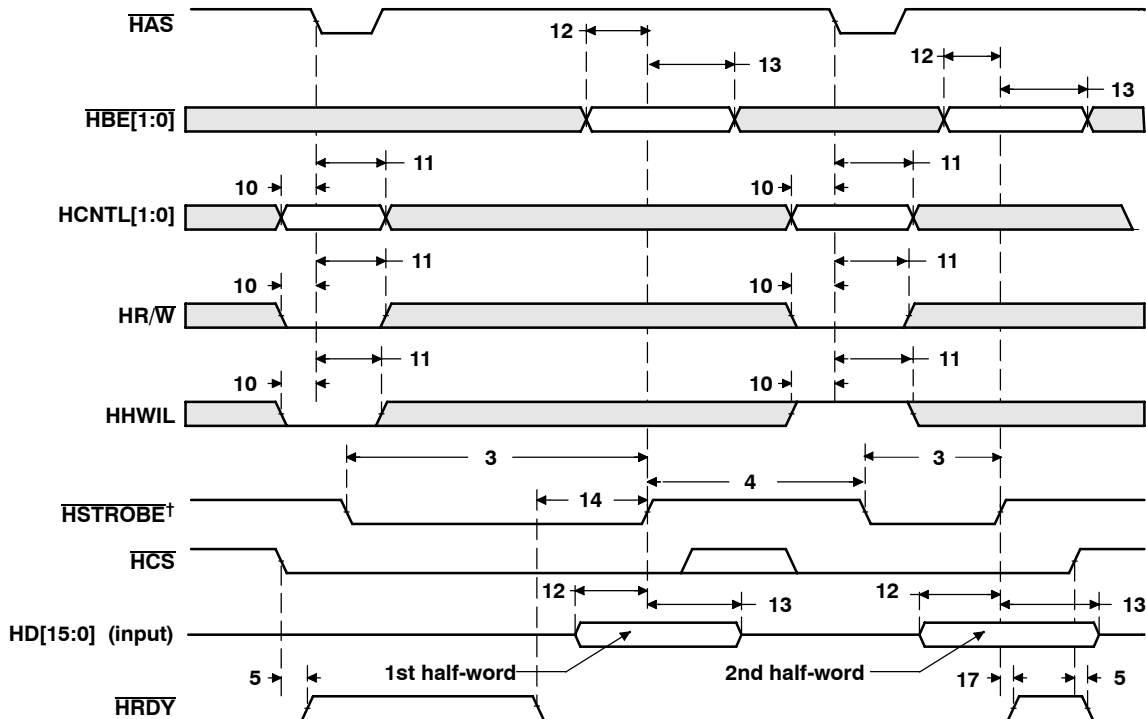
Figure 29. HPI Read Timing (HAS Used)

HOST-PORT INTERFACE TIMING (CONTINUED)



† HSTROBE refers to the following logical operation on HCS, HDST, and HDS2: $[\text{NOT}(\text{HDST XOR HDS2})] \text{ OR HCS}$.

Figure 30. HPI Write Timing (HAS Not Used, Tied High)



† HSTROBE refers to the following logical operation on HCS, HDST, and HDS2: $[\text{NOT}(\text{HDS1 XOR HDS2})] \text{ OR HCS}$.

Figure 31. HPI Write Timing (HAS Used)

MULTICHANNEL BUFFERED SERIAL PORT TIMING

timing requirements for McBSP^{†‡}(see Figure 32)

NO.				'C6201-150		'C6201B-150 'C6201B-200		UNIT
				MIN	MAX	MIN	MAX	
2	t _c (CKRX)	Cycle time, CLKR/X	CLKR/X ext	2*		2		CLKOUT1 cycles
3	t _w (CKRX)	Pulse duration, CLKR/X high or CLKR/X low	CLKR/X ext	P - 1*		P - 1		ns
5	t _{su} (FRH-CKRL)	Setup time, external FSR high before CLKR low	CLKR int	13		9		ns
			CLKR ext	4		1		
6	t _h (CKRL-FRH)	Hold time, external FSR high after CLKR low	CLKR int	7*		6		ns
			CLKR ext	3.5		3		
7	t _{su} (DRV-CKRL)	Setup time, DR valid before CLKR low	CLKR int	13.5		8		ns
			CLKR ext	1		0		
8	t _h (CKRL-DRV)	Hold time, DR valid after CLKR low	CLKR int	4*		3		ns
			CLKR ext	4		3		
10	t _{su} (FXH-CKXL)	Setup time, external FSX high before CLKX low	CLKX int	13		9		ns
			CLKX ext	4		1		
11	t _h (CKXL-FXH)	Hold time, external FSX high after CLKX low	CLKX int	7		6		ns
			CLKX ext	3.5		3		

[†] CLKRP = CLKXP = FSRP = FSXP = 0. If polarity of any of the signals is inverted, then the timing references of that signal are also inverted.

[‡] The effects of internal clock jitter are included at test. There is no need to adjust timing numbers for internal clock jitter or SSCLK duty cycle.

P = 1/CPU clock frequency in ns. For example, when running parts at 150 MHz, use P = 6.67 ns.

*This parameter is not production tested.

SM320C6201, SMJ320C6201B DIGITAL SIGNAL PROCESSORS

SGUS028A - NOVEMBER 1998 - REVISED JANUARY 1999

MULTICHANNEL BUFFERED SERIAL PORT TIMING (CONTINUED)

switching characteristics for McBSP^{†‡} (see Figure 32)

NO.	PARAMETER		'C6201-150		'C6201B-150 'C6201B-200		UNIT
			MIN	MAX	MIN	MAX	
1	$t_{d(CKSH-CKRXH)}$	Delay time, CLKS high to CLKR/X high for internal CLKR/X generated from CLKS input	4*	15*	4	10	ns
2	$t_{c(CKRX)}$	Cycle time, CLKR/X	CLKR/X int		2		CLKOUT1 cycles
3	$t_{w(CKRX)}$	Pulse duration, CLKR/X high or CLKR/X low	CLKR/X int		C - 1* [¶]	C + 1* [¶]	ns
4	$t_{d(CKRH-FRV)}$	Delay time, CLKR high to internal FSR valid	-2*	4.5*	-2	3	ns
9	$t_{d(CKXH-FXV)}$	Delay time, CLKX high to internal FSX valid	CLKX int		0*	4*	ns
			CLKX ext		3*	16	
12	$t_{dis(CKXH-DXHZ)}$	Disable time, DX high impedance following last data bit from CLKX high	CLKX int		0*	4*	ns
			CLKX ext		3*	16*	
13	$t_{d(CKXH-DXV)}$	Delay time, CLKX high to DX valid This is also specified by design but not tested to be the delay time for data to be low impedance on the first data bit.	CLKX int		0*	4*	ns
			CLKX ext		3*	16	
14	$t_{d(FXH-DXV)}$	Delay time, FSX high to DX valid This is also specified by design but not tested to be the delay time for data to be low impedance on the first data bit. ONLY applies when in data delay 0 (XDATDLY = 00b) mode	FSX int		-2*	4*	ns
			FSX ext		3*	16*	

[†] CLKRP = CLKXP = FSRP = FSXP = 0. If polarity of any of the signals is inverted, then the timing references of that signal are also inverted.

[‡] Minimum delay times also represent minimum output hold times.

*This parameter is not production tested.

[¶] C = H or L

H = CLKX high pulse width = (CLKGDV/2 + 1) * T

L = CLKX low pulse width = (CLKGDV/2) * T

PRODUCT PREVIEW information concerns products in the formative or design phase of development. Characteristic data and other specifications are design goals. Texas Instruments reserves the right to change or discontinue these products without notice.



MULTICHANNEL BUFFERED SERIAL PORT TIMING (CONTINUED)

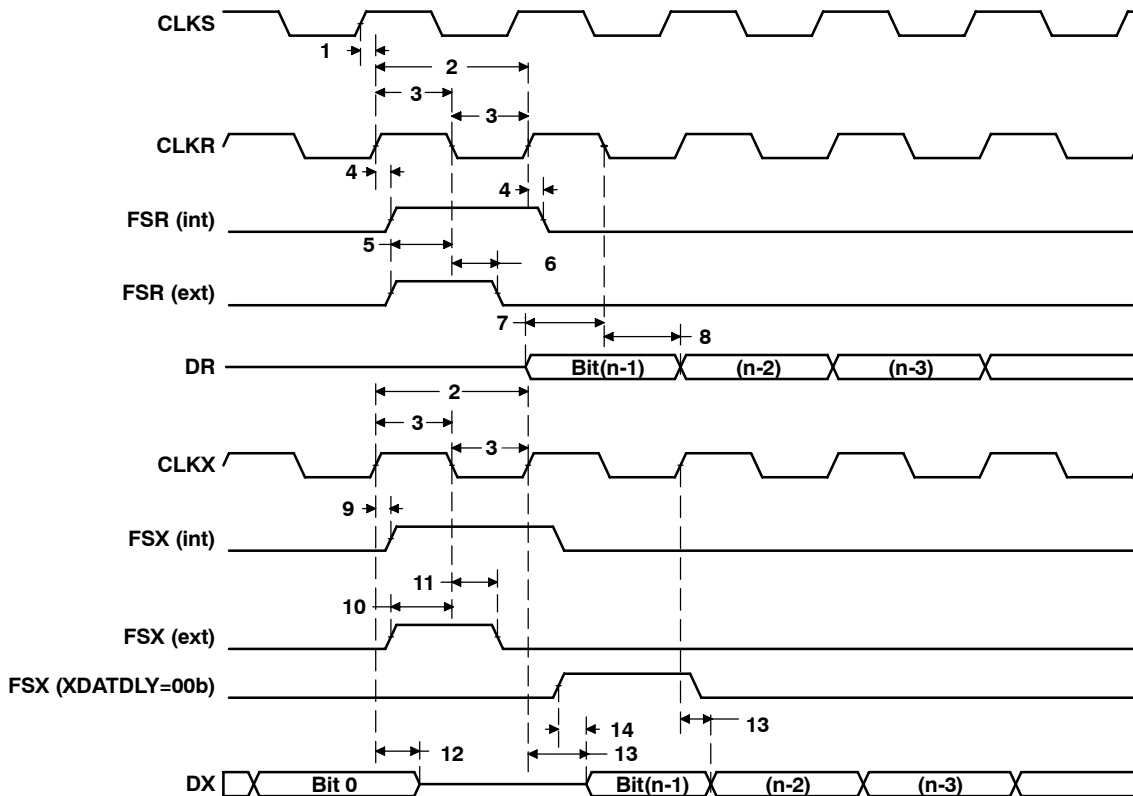


Figure 32. McBSP Timings

SM320C6201, SMJ320C6201B DIGITAL SIGNAL PROCESSORS

SGUS028A - NOVEMBER 1998 - REVISED JANUARY 1999

MULTICHANNEL BUFFERED SERIAL PORT TIMING (CONTINUED)

timing requirements for FSR when GSYNC = 1 (see Figure 33)

NO.		'C6201-150		'C6201B-150 'C6201B-200		UNIT
		MIN	MAX	MIN	MAX	
1	$t_{su}(FRH-CKSH)$ Setup time, FSR high before CLKS high	4*		4		ns
2	$t_h(CKSH-FRH)$ Hold time, FSR high after CLKS high	4*		4		ns

*This parameter is not production tested.

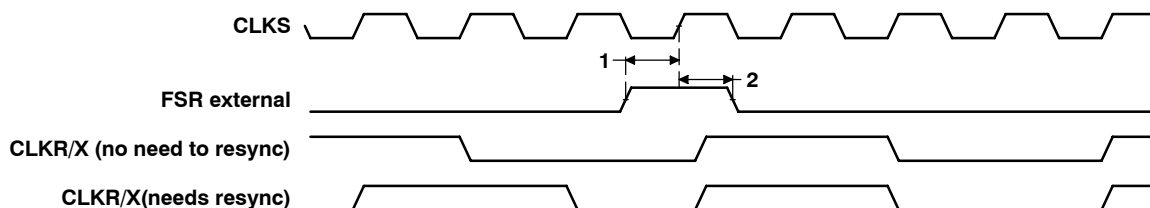


Figure 33. FSR Timing When GSYNC = 1

MULTICHANNEL BUFFERED SERIAL PORT TIMING (CONTINUED)

timing requirements for McBSP as SPI master or slave: CLKSTP = 10b, CLKXP = 0^{†‡} (see Figure 34) ('C6201)

NO.		'C6201-150				UNIT
		MASTER		SLAVE		
		MIN	MAX	MIN	MAX	
4	t _{su(DRV-CKXL)} Setup time, DR valid before CLKX low	12		3P - 2*		ns
5	t _{h(CKXL-DRV)} Hold time, DR valid after CLKX low	4*		5 + 6P		ns

[†] The effects of internal clock jitter are included at test. There is no need to adjust timing numbers for internal clock jitter. P = 1/CPU clock frequency in ns. For example, when running parts at 150 MHz, use P = 6.67 ns.

[‡] For all SPI slave modes, CLKG is programmed as 1/2 of the CPU clock by setting CLKSM = CLKGDV = 1.

*This parameter is not production tested.

switching characteristics for McBSP as SPI master or slave: CLKSTP = 10b, CLKXP = 0^{†‡} (see Figure 34) ('C6201)

NO.	PARAMETER	'C6201-150				UNIT
		MASTER [§]		SLAVE		
		MIN	MAX	MIN	MAX	
1	t _{h(CKXL-FXL)} Hold time, FSX low after CLKX low [¶]	T - 2*	T + 3*			ns
2	t _{d(FXL-CKXH)} Delay time, FSX low to CLKX high [#]	L - 2*	L + 3*			ns
3	t _{d(CKXH-DXV)} Delay time, CLKX high to DX valid This is also specified by design but not tested to be the delay time for data to be low impedance on the first data bit.	-2*	4*	3P + 4*	5P + 17*	ns
6	t _{dis(CKXL-DXHZ)} Disable time, DX high impedance following last data bit from CLKX low	L - 2*	L + 3*			ns
7	t _{dis(FXH-DXHZ)} Disable time, DX high impedance following last data bit from FSX high			P + 4*	3P + 17*	ns
8	t _{d(FXL-DXV)} Delay time, FSX low to DX valid			2P + 4*	4P + 17	ns

[†] The effects of internal clock jitter are included at test. There is no need to adjust timing numbers for internal clock jitter. P = 1/CPU clock frequency in ns. For example, when running parts at 150 MHz, use P = 6.67 ns.

[‡] For all SPI slave modes, CLKG is programmed as 1/2 of the CPU clock by setting CLKSM = CLKGDV = 1.

[§] T = CLKX period = (1 + CLKGDV) * P; if CLKSM = 1, then P = 1/CPU clock frequency
= CLKX period = (1 + CLKGDV) * P_{clks}; if CLKSM = 0, then P_{clks} = CLKS period.

H = CLKX high pulse width = (CLKGDV/2 + 1) * T

L = CLKX low pulse width = (CLKGDV/2) * T

[¶] FSRP = FSXP = 1. As a SPI master, FSX is inverted to provide active-low slave-enable output. As a slave, the active-low signal input on FSX and FSR is inverted before being used internally.

CLKXM = FSXM = 1, CLKRM = FSRM = 0 for master McBSP

CLKXM = CLKRM = FSXM = FSRM = 0 for slave McBSP

*This parameter is not production tested.

[#] FSX should be low before the rising edge of clock to enable slave devices and then begin a SPI transfer at the rising edge of the master clock (CLKX).

SM320C6201, SMJ320C6201B DIGITAL SIGNAL PROCESSORS

SGUS028A - NOVEMBER 1998 - REVISED JANUARY 1999

MULTICHANNEL BUFFERED SERIAL PORT TIMING (CONTINUED)

timing requirements for McBSP as SPI master or slave: CLKSTP = 10b, CLKXP = 0^{†‡}
(see Figure 34) ('C6201B)

NO.		'C6201B-150 'C6201B-200				UNIT
		MASTER		SLAVE		
		MIN	MAX	MIN	MAX	
4	t _{su} (DRV-CKXL) Setup time, DR valid before CLKX low	12		3P - 2		ns
5	t _h (CKXL-DRV) Hold time, DR valid after CLKX low	4		5 + 6P		ns

[†] The effects of internal clock jitter are included at test. There is no need to adjust timing numbers for internal clock jitter. P = 1/CPU clock frequency in ns. For example, when running parts at 150 MHz, use P = 6.67 ns.

[‡] For all SPI slave modes, CLKG is programmed as 1/2 of the CPU clock by setting CLKSM = CLKGDV = 1.

switching characteristics for McBSP as SPI master or slave: CLKSTP = 10b, CLKXP = 0^{†‡}
(see Figure 34) ('C6201B)

NO.	PARAMETER	'C6201B-150 'C6201B-200				UNIT
		MASTER [§]		SLAVE		
		MIN	MAX	MIN	MAX	
1	t _h (CKXL-FXL) Hold time, FSX low after CLKX low [¶]	T - 2	T + 3			ns
2	t _d (FXL-CKXH) Delay time, FSX low to CLKX high [#]	L - 2	L + 3			ns
3	t _d (CKXH-DXV) Delay time, CLKX high to DX valid This is also specified by design but not tested to be the delay time for data to be low impedance on the first data bit.	-2	4	3P + 4	5P + 17	ns
6	t _{dis} (CKXL-DXHZ) Disable time, DX high impedance following last data bit from CLKX low	L - 2	L + 3			ns
7	t _{dis} (FXH-DXHZ) Disable time, DX high impedance following last data bit from FSX high			P + 3	3P + 17	ns
8	t _d (FXL-DXV) Delay time, FSX low to DX valid			2P + 2	4P + 17	ns

[†] The effects of internal clock jitter are included at test. There is no need to adjust timing numbers for internal clock jitter. P = 1/CPU clock frequency in ns. For example, when running parts at 150 MHz, use P = 6.67 ns.

[‡] For all SPI slave modes, CLKG is programmed as 1/2 of the CPU clock by setting CLKSM = CLKGDV = 1.

[§] T = CLKX period = (1 + CLKGDV) * P; if CLKSM = 1, then P = 1/CPU clock frequency

= CLKX period = (1 + CLKGDV) * P_clks; if CLKSM = 0, then P_clks = CLKS period.

H = CLKX high pulse width = (CLKGDV/2 + 1) * T

L = CLKX low pulse width = (CLKGDV/2) * T

[¶] FSRP = FSXP = 1. As a SPI master, FSX is inverted to provide active-low slave-enable output. As a slave, the active-low signal input on FSX and FSR is inverted before being used internally.

CLKXM = FSXM = 1, CLKRM = FSRM = 0 for master McBSP

CLKXM = CLKRM = FSXM = FSRM = 0 for slave McBSP

[#] FSX should be low before the rising edge of clock to enable slave devices and then begin a SPI transfer at the rising edge of the master clock (CLKX).

PRODUCT PREVIEW

PRODUCT PREVIEW information concerns products in the formative or design phase of development. Characteristic data and other specifications are design goals. Texas Instruments reserves the right to change or discontinue these products without notice.



MULTICHANNEL BUFFERED SERIAL PORT TIMING (CONTINUED)

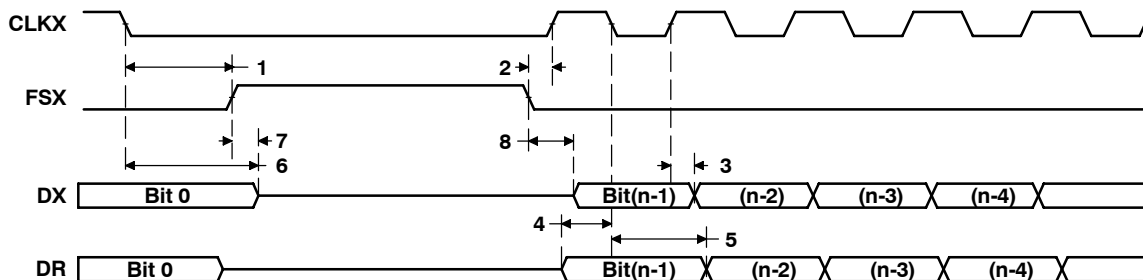


Figure 34. McBSP Timing as SPI Master or Slave: CLKSTP = 10b, CLKXP = 0

SM320C6201, SMJ320C6201B DIGITAL SIGNAL PROCESSORS

SGUS028A - NOVEMBER 1998 - REVISED JANUARY 1999

MULTICHANNEL BUFFERED SERIAL PORT TIMING (CONTINUED)

timing requirements for McBSP as SPI master or slave: CLKSTP = 11b, CLKXP = 0^{†‡} (see Figure 35) ('C6201)

NO.		'C6201-150				UNIT
		MASTER		SLAVE		
		MIN	MAX	MIN	MAX	
4	t _{su} (DRV-CKXH) Setup time, DR valid before CLKX high	11		3P - 2		ns
5	t _h (CKXH-DRV) Hold time, DR valid after CLKX high	4*		5 + 6P*		ns

[†] The effects of internal clock jitter are included at test. There is no need to adjust timing numbers for internal clock jitter. P = 1/CPU clock frequency in ns. For example, when running parts at 150 MHz, use P = 6.67 ns.

[‡] For all SPI slave modes, CLKG is programmed as 1/2 of the CPU clock by setting CLKSM = CLKGDV = 1.

*This parameter is not production tested.

switching characteristics for McBSP as SPI master or slave: CLKSTP = 11b, CLKXP = 0^{†‡} (see Figure 35) ('C6201)

NO.	PARAMETER	'C6201-150				UNIT
		MASTER [§]		SLAVE		
		MIN	MAX	MIN	MAX	
1	t _h (CKXL-FXL) Hold time, FSX low after CLKX low [¶]	L - 2*	L + 3*			ns
2	t _d (FXL-CKXH) Delay time, FSX low to CLKX high [#]	T - 2*	T + 4.5*			ns
3	t _d (CKXL-DXV) Delay time, CLKX low to DX valid	-2*	4*	3P + 4*	5P + 17*	ns
6	t _{dis} (CKXL-DXHZ) Disable time, DX high impedance following last data bit from CLKX low	-2*	4*	3P + 4*	5P + 17*	ns
7	t _d (FXL-DXV) Delay time, FSX low to DX valid	H - 2*	H + 4*	2P + 4*	4P + 17*	ns

[†] The effects of internal clock jitter are included at test. There is no need to adjust timing numbers for internal clock jitter. P = 1/CPU clock frequency in ns. For example, when running parts at 150 MHz, use P = 6.67 ns.

[‡] For all SPI slave modes, CLKG is programmed as 1/2 of the CPU clock by setting CLKSM = CLKGDV = 1.

[§] T = CLKX period = (1 + CLKGDV) * P; if CLKSM = 1, then P = 1/CPU clock frequency
= CLKX period = (1 + CLKGDV) * P_clks; if CLKSM = 0, then P_clks = CLKS period.

H = CLKX high pulse width = (CLKGDV/2 + 1) * T

L = CLKX low pulse width = (CLKGDV/2) * T

[¶] FSRP = FSXP = 1. As a SPI master, FSX is inverted to provide active-low slave-enable output. As a slave, the active-low signal input on FSX and FSR is inverted before being used internally.

CLKXM = FSXM = 1, CLKRM = FSRM = 0 for master McBSP

CLKXM = CLKRM = FSXM = FSRM = 0 for slave McBSP

*This parameter is not production tested.

[#] FSX should be low before the rising edge of clock to enable slave devices and then begin a SPI transfer at the rising edge of the master clock (CLKX).



MULTICHANNEL BUFFERED SERIAL PORT TIMING (CONTINUED)

timing requirements for McBSP as SPI master or slave: CLKSTP = 11b, CLKXP = 0^{†‡} (see Figure 35) ('C6201B)

NO.		'C6201B-150 'C6201B-200				UNIT
		MASTER		SLAVE		
		MIN	MAX	MIN	MAX	
4	$t_{su}(DRV-CKXH)$ Setup time, DR valid before CLKX high	12		3P - 2		ns
5	$t_h(CKXH-DRV)$ Hold time, DR valid after CLKX high	4		5 + 6P		ns

[†] The effects of internal clock jitter are included at test. There is no need to adjust timing numbers for internal clock jitter. P = 1/CPU clock frequency in ns. For example, when running parts at 150 MHz, use P = 6.67 ns.

[‡] For all SPI slave modes, CLKG is programmed as 1/2 of the CPU clock by setting CLKSM = CLKGDV = 1.

switching characteristics for McBSP as SPI master or slave: CLKSTP = 11b, CLKXP = 0^{†‡} (see Figure 35) ('C6201B)

NO.	PARAMETER	'C6201B-150 'C6201B-200				UNIT
		MASTER [§]		SLAVE		
		MIN	MAX	MIN	MAX	
1	$t_h(CKXL-FXL)$ Hold time, FSX low after CLKX low [¶]	L - 2	L + 3			ns
2	$t_d(FXL-CKXH)$ Delay time, FSX low to CLKX high [#]	T - 2	T + 3			ns
3	$t_d(CKXL-DXV)$ Delay time, CLKX low to DX valid	-2	4	3P + 4	5P + 17	ns
6	$t_{dis}(CKXL-DXHZ)$ Disable time, DX high impedance following last data bit from CLKX low	-2	4	3P + 3	5P + 17	ns
7	$t_d(FXL-DXV)$ Delay time, FSX low to DX valid	H - 2	H + 4	2P + 2	4P + 17	ns

[†] The effects of internal clock jitter are included at test. There is no need to adjust timing numbers for internal clock jitter. P = 1/CPU clock frequency in ns. For example, when running parts at 150 MHz, use P = 6.67 ns.

[‡] For all SPI slave modes, CLKG is programmed as 1/2 of the CPU clock by setting CLKSM = CLKGDV = 1.

[§] T = CLKX period = (1 + CLKGDV) * P; if CLKSM = 1, then P = 1/CPU clock frequency
= CLKX period = (1 + CLKGDV) * P_clks; if CLKSM = 0, then P_clks = CLKS period.

H = CLKX high pulse width = (CLKGDV/2 + 1) * T

L = CLKX low pulse width = (CLKGDV/2) * T

[¶] FSRP = FSXP = 1. As a SPI master, FSX is inverted to provide active-low slave-enable output. As a slave, the active-low signal input on FSX and FSR is inverted before being used internally.

CLKXM = FSXM = 1, CLKRM = FSRM = 0 for master McBSP

CLKXM = CLKRM = FSXM = FSRM = 0 for slave McBSP

[#] FSX should be low before the rising edge of clock to enable slave devices and then begin a SPI transfer at the rising edge of the master clock (CLKX).

PRODUCT PREVIEW

SM320C6201, SMJ320C6201B DIGITAL SIGNAL PROCESSORS

SGUS028A - NOVEMBER 1998 - REVISED JANUARY 1999

MULTICHANNEL BUFFERED SERIAL PORT TIMING (CONTINUED)

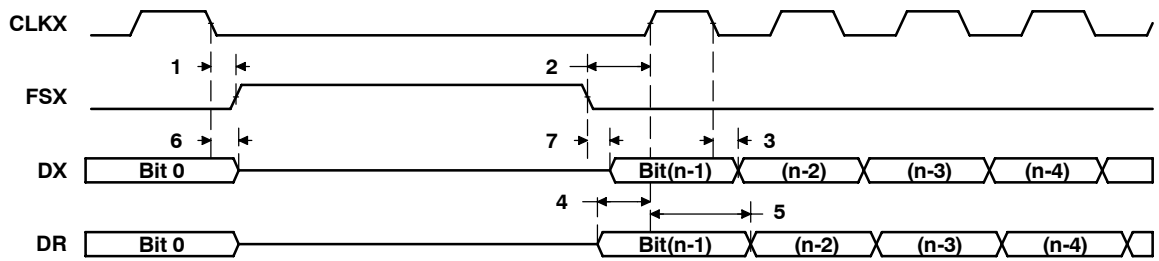


Figure 35. McBSP Timing as SPI Master or Slave: CLKSTP = 11b, CLKXP = 0

MULTICHANNEL BUFFERED SERIAL PORT TIMING (CONTINUED)

timing requirements for McBSP as SPI master or slave: CLKSTP = 10b, CLKXP = 1^{†‡} (see Figure 36) ('C6201)

NO.		'C6201-150				UNIT
		MASTER		SLAVE		
		MIN	MAX	MIN	MAX	
4	t _{su(DRV-CKXH)} Setup time, DR valid before CLKX high	12*		3P - 2		ns
5	t _{h(CKXH-DRV)} Hold time, DR valid after CLKX high	4*		5 + 6P		ns

[†] The effects of internal clock jitter are included at test. There is no need to adjust timing numbers for internal clock jitter. P = 1/CPU clock frequency in ns. For example, when running parts at 150 MHz, use P = 6.67 ns.

[‡] For all SPI slave modes, CLKG is programmed as 1/2 of the CPU clock by setting CLKSM = CLKGDV = 1.

*This parameter is not production tested.

switching characteristics for McBSP as SPI master or slave: CLKSTP = 10b, CLKXP = 1^{†‡} (see Figure 36) ('C6201)

NO.	PARAMETER	'C6201-150				UNIT
		MASTER [§]		SLAVE		
		MIN	MAX	MIN	MAX	
1	t _{h(CKXH-FXL)} Hold time, FSX low after CLKX high [¶]	T - 2*	T + 3*			ns
2	t _{d(FXL-CKXL)} Delay time, FSX low to CLKX low [#]	H - 2*	H + 4.5*			ns
3	t _{d(CKXL-DXV)} Delay time, CLKX low to DX valid This is also specified by design but not tested to be the delay time for data to be low impedance on the first data bit.	-2*	4*	3P + 4*	5P + 17*	ns
6	t _{dis(CKXH-DXHZ)} Disable time, DX high impedance following last data bit from CLKX high	H - 2*	H + 3*			ns
7	t _{dis(FXH-DXHZ)} Disable time, DX high impedance following last data bit from FSX high			P + 4*	3P + 17*	ns
8	t _{d(FXL-DXV)} Delay time, FSX low to DX valid			2P + 4*	4P + 17*	ns

[†] The effects of internal clock jitter are included at test. There is no need to adjust timing numbers for internal clock jitter. P = 1/CPU clock frequency in ns. For example, when running parts at 150 MHz, use P = 6.67 ns.

[‡] For all SPI slave modes, CLKG is programmed as 1/2 of the CPU clock by setting CLKSM = CLKGDV = 1.

[§] T = CLKX period = (1 + CLKGDV) * P ; if CLKSM = 1, then P = 1/CPU clock frequency

= CLKX period = (1 + CLKGDV) * P_{clks}; if CLKSM = 0, then P_{clks} = CLKS period.

H = CLKX high pulse width = (CLKGDV/2 + 1) * T

L = CLKX low pulse width = (CLKGDV/2) * T

[¶] FSRP = FSXP = 1. As a SPI master, FSX is inverted to provide active-low slave-enable output. As a slave, the active-low signal input on FSX and FSR is inverted before being used internally.

CLKXM = FSXM = 1, CLKRM = FSRM = 0 for master McBSP

CLKXM = CLKRM = FSXM = FSRM = 0 for slave McBSP

*This parameter is not production tested.

[#] FSX should be low before the rising edge of clock to enable slave devices and then begin a SPI transfer at the rising edge of the master clock (CLKX).

SM320C6201, SMJ320C6201B DIGITAL SIGNAL PROCESSORS

SGUS028A - NOVEMBER 1998 - REVISED JANUARY 1999

MULTICHANNEL BUFFERED SERIAL PORT TIMING (CONTINUED)

timing requirements for McBSP as SPI master or slave: CLKSTP = 10b, CLKXP = 1^{†‡} (see Figure 36) ('C6201B)

NO.		'C6201B-150 'C6201B-200				UNIT
		MASTER		SLAVE		
		MIN	MAX	MIN	MAX	
4	t _{su} (DRV-CKXH) Setup time, DR valid before CLKX high	12		3P - 2		ns
5	t _h (CKXH-DRV) Hold time, DR valid after CLKX high	4		5 + 6P		ns

[†] The effects of internal clock jitter are included at test. There is no need to adjust timing numbers for internal clock jitter. P = 1/CPU clock frequency in ns. For example, when running parts at 150 MHz, use P = 6.67 ns.

[‡] For all SPI slave modes, CLKG is programmed as 1/2 of the CPU clock by setting CLKSM = CLKGDV = 1.

switching characteristics for McBSP as SPI master or slave: CLKSTP = 10b, CLKXP = 1^{†‡} (see Figure 36) ('C6201B)

NO.	PARAMETER	'C6201B-150 'C6201B-200				UNIT
		MASTER [§]		SLAVE		
		MIN	MAX	MIN	MAX	
1	t _h (CKXH-FXL) Hold time, FSX low after CLKX high [¶]	T - 2	T + 3			ns
2	t _d (FXL-CKXL) Delay time, FSX low to CLKX low [#]	H - 2	H + 3			ns
3	t _d (CKXL-DXV) Delay time, CLKX low to DX valid This is also specified by design but not tested to be the delay time for data to be low impedance on the first data bit.	-2	4	3P + 4	5P + 17	ns
6	t _{dis} (CKXH-DXHZ) Disable time, DX high impedance following last data bit from CLKX high	H - 2	H + 3			ns
7	t _{dis} (FXH-DXHZ) Disable time, DX high impedance following last data bit from FSX high			P + 3	3P + 17	ns
8	t _d (FXL-DXV) Delay time, FSX low to DX valid			2P + 2	4P + 17	ns

[†] The effects of internal clock jitter are included at test. There is no need to adjust timing numbers for internal clock jitter. P = 1/CPU clock frequency in ns. For example, when running parts at 150 MHz, use P = 6.67 ns.

[‡] For all SPI slave modes, CLKG is programmed as 1/2 of the CPU clock by setting CLKSM = CLKGDV = 1.

[§] T = CLKX period = (1 + CLKGDV) * P; if CLKSM = 1, then P = 1/CPU clock frequency

= CLKX period = (1 + CLKGDV) * P_clks; if CLKSM = 0, then P_clks = CLKS period.

H = CLKX high pulse width = (CLKGDV/2 + 1) * T

L = CLKX low pulse width = (CLKGDV/2) * T

[¶] FSRP = FSXP = 1. As a SPI master, FSX is inverted to provide active-low slave-enable output. As a slave, the active-low signal input on FSX and FSR is inverted before being used internally.

CLKXM = FSXM = 1, CLKRM = FSRM = 0 for master McBSP

CLKXM = CLKRM = FSXM = FSRM = 0 for slave McBSP

[#] FSX should be low before the rising edge of clock to enable slave devices and then begin a SPI transfer at the rising edge of the master clock (CLKX).

PRODUCT PREVIEW

PRODUCT PREVIEW information concerns products in the formative or design phase of development. Characteristic data and other specifications are design goals. Texas Instruments reserves the right to change or discontinue these products without notice.



MULTICHANNEL BUFFERED SERIAL PORT TIMING (CONTINUED)

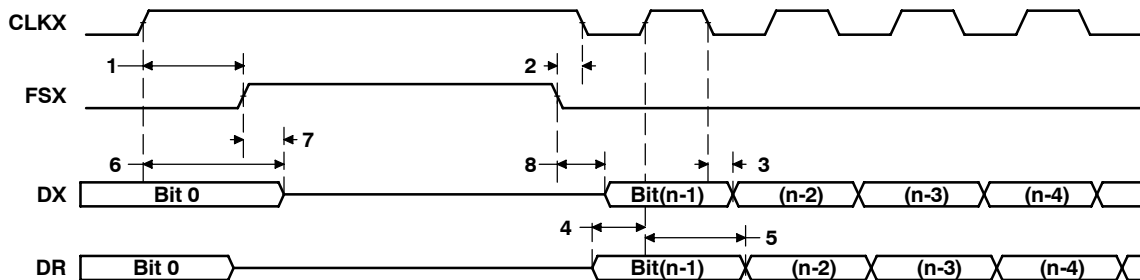


Figure 36. McBSP Timing as SPI Master or Slave: CLKSTP = 10b, CLKXP = 1

SM320C6201, SMJ320C6201B DIGITAL SIGNAL PROCESSORS

SGUS028A - NOVEMBER 1998 - REVISED JANUARY 1999

MULTICHANNEL BUFFERED SERIAL PORT TIMING (CONTINUED)

timing requirements for McBSP as SPI master or slave: CLKSTP = 11b, CLKXP = 1^{†‡} (see Figure 37) ('C6201)

NO.		'C6201-150				UNIT
		MASTER		SLAVE		
		MIN	MAX	MIN	MAX	
4	t _{su} (DRV-CKXL) Setup time, DR valid before CLKX low	11		3P - 2		ns
5	t _h (CKXL-DRV) Hold time, DR valid after CLKX low	4.5		5 + 6P		ns

[†] The effects of internal clock jitter are included at test. There is no need to adjust timing numbers for internal clock jitter. P = 1/CPU clock frequency in ns. For example, when running parts at 150 MHz, use P = 6.67 ns.

[‡] For all SPI slave modes, CLKG is programmed as 1/2 of the CPU clock by setting CLKSM = CLKGDV = 1.

switching characteristics for McBSP as SPI master or slave: CLKSTP = 11b, CLKXP = 1^{†‡} (see Figure 37) ('C6201)

NO.	PARAMETER	'C6201-150				UNIT
		MASTER [§]		SLAVE		
		MIN	MAX	MIN	MAX	
1	t _h (CKXH-FXL) Hold time, FSX low after CLKX high [¶]	H - 2*	H + 3*			ns
2	t _d (FXL-CKXL) Delay time, FSX low to CLKX low [#]	T - 2*	T + 1*			ns
3	t _d (CKXH-DXV) Delay time, CLKX high to DX valid	-2*	4*	3P + 4*	5P + 17	ns
6	t _{dis} (CKXH-DXHZ) Disable time, DX high impedance following last data bit from CLKX high	-2*	4*	3P + 4*	5P + 17*	ns
7	t _d (FXL-DXV) Delay time, FSX low to DX valid	L - 2*	L + 4*	2P + 4*	4P + 17*	ns

[†] The effects of internal clock jitter are included at test. There is no need to adjust timing numbers for internal clock jitter. P = 1/CPU clock frequency in ns. For example, when running parts at 150 MHz, use P = 6.67 ns.

[‡] For all SPI slave modes, CLKG is programmed as 1/2 of the CPU clock by setting CLKSM = CLKGDV = 1.

[§] T = CLKX period = (1 + CLKGDV) * P; if CLKSM = 1, then P = 1/CPU clock frequency

= CLKX period = (1 + CLKGDV) * P_clks; if CLKSM = 0, then P_clks = CLKS period.

H = CLKX high pulse width = (CLKGDV/2 + 1) * T

L = CLKX low pulse width = (CLKGDV/2) * T

[¶] FSRP = FSXP = 1. As a SPI master, FSX is inverted to provide active-low slave-enable output. As a slave, the active-low signal input on FSX and FSR is inverted before being used internally.

CLKXM = FSXM = 1, CLKRM = FSRM = 0 for master McBSP

CLKXM = CLKRM = FSXM = FSRM = 0 for slave McBSP

*This parameter is not production tested.

[#] FSX should be low before the rising edge of clock to enable slave devices and then begin a SPI transfer at the rising edge of the master clock (CLKX).



MULTICHANNEL BUFFERED SERIAL PORT TIMING (CONTINUED)

timing requirements for McBSP as SPI master or slave: CLKSTP = 11b, CLKXP = 1^{†‡} (see Figure 37) ('C6201B)

NO.		'C6201B-150 'C6201B-200				UNIT
		MASTER		SLAVE		
		MIN	MAX	MIN	MAX	
4	t _{su(DRV-CKXL)} Setup time, DR valid before CLKX low	12		3P - 2		ns
5	t _{h(CKXL-DRV)} Hold time, DR valid after CLKX low	4		5 + 6P		ns

[†] The effects of internal clock jitter are included at test. There is no need to adjust timing numbers for internal clock jitter. P = 1/CPU clock frequency in ns. For example, when running parts at 150 MHz, use P = 6.67 ns.

[‡] For all SPI slave modes, CLKG is programmed as 1/2 of the CPU clock by setting CLKSM = CLKGDV = 1.

switching characteristics for McBSP as SPI master or slave: CLKSTP = 11b, CLKXP = 1^{†‡} (see Figure 37) ('C6201B)

NO.	PARAMETER	'C6201B-150 'C6201B-200				UNIT
		MASTER [§]		SLAVE		
		MIN	MAX	MIN	MAX	
1	t _{h(CKXH-FXL)} Hold time, FSX low after CLKX high [¶]	H - 2	H + 3			ns
2	t _{d(FXL-CKXL)} Delay time, FSX low to CLKX low [#]	T - 2	T + 1			ns
3	t _{d(CKXH-DXV)} Delay time, CLKX high to DX valid	-2	4	3P + 4	5P + 17	ns
6	t _{dis(CKXH-DXHZ)} Disable time, DX high impedance following last data bit from CLKX high	-2	4	3P + 3	5P + 17	ns
7	t _{d(FXL-DXV)} Delay time, FSX low to DX valid	L - 2	L + 4	2P + 2	4P + 17	ns

[†] The effects of internal clock jitter are included at test. There is no need to adjust timing numbers for internal clock jitter. P = 1/CPU clock frequency in ns. For example, when running parts at 150 MHz, use P = 6.67 ns.

[‡] For all SPI slave modes, CLKG is programmed as 1/2 of the CPU clock by setting CLKSM = CLKGDV = 1.

[§] T = CLKX period = (1 + CLKGDV) * P; if CLKSM = 1, then P = 1/CPU clock frequency
= CLKX period = (1 + CLKGDV) * P_{clks}; if CLKSM = 0, then P_{clks} = CLKS period.

H = CLKX high pulse width = (CLKGDV/2 + 1) * T

L = CLKX low pulse width = (CLKGDV/2) * T

[¶] FSRP = FSXP = 1. As a SPI master, FSX is inverted to provide active-low slave-enable output. As a slave, the active-low signal input on FSX and FSR is inverted before being used internally.

CLKXM = FSXM = 1, CLKRM = FSRM = 0 for master McBSP

CLKXM = CLKRM = FSXM = FSRM = 0 for slave McBSP

[#] FSX should be low before the rising edge of clock to enable slave devices and then begin a SPI transfer at the rising edge of the master clock (CLKX).

PRODUCT PREVIEW

SM320C6201, SMJ320C6201B DIGITAL SIGNAL PROCESSORS

SGUS028A - NOVEMBER 1998 - REVISED JANUARY 1999

MULTICHANNEL BUFFERED SERIAL PORT TIMING (CONTINUED)

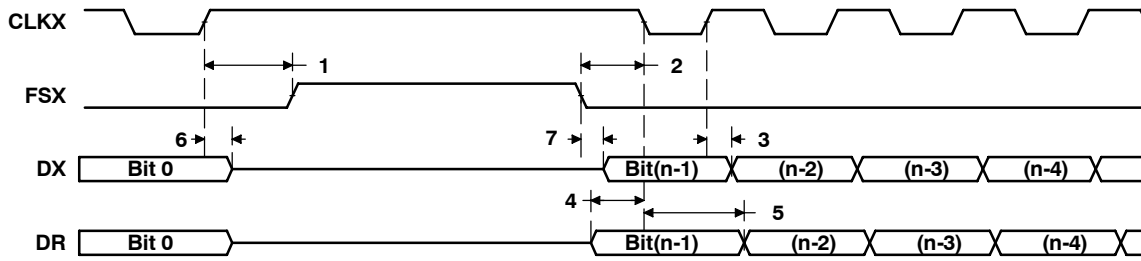


Figure 37. McBSP Timing as SPI Master or Slave: CLKSTP = 11b, CLKXP = 1

DMAC, TIMER, POWER-DOWN TIMING

switching characteristics for DMAC outputs (see Figure 38)

NO.	PARAMETER	'C6201-150		'C6201B-150 'C6201B-200		UNIT
		MIN	MAX	MIN	MAX	
1	$t_{d(CKO1H-DMACV)}$ Delay time, CLKOUT1 high to DMAC valid	2*	7*	2	7	ns

*This parameter is not production tested.

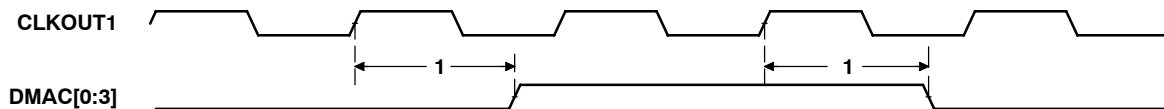


Figure 38. DMAC Timing

timing requirements for timer inputs (see Figure 39)

NO.	PARAMETER	'C6201-150		'C6201B-150 'C6201B-200		UNIT
		MIN	MAX	MIN	MAX	
1	$t_{w(TINP)}$ Pulse duration, TINP high or low	2		2		CLKOUT1 cycles

switching characteristics for timer outputs (see Figure 39)

NO.	PARAMETER	'C6201-150		'C6201B-150 'C6201B-200		UNIT
		MIN	MAX	MIN	MAX	
2	$t_{d(CKO1H-TOUTV)}$ Delay time, CLKOUT1 high to TOUT valid	3*	9	3	9	ns

*This parameter is not production tested.

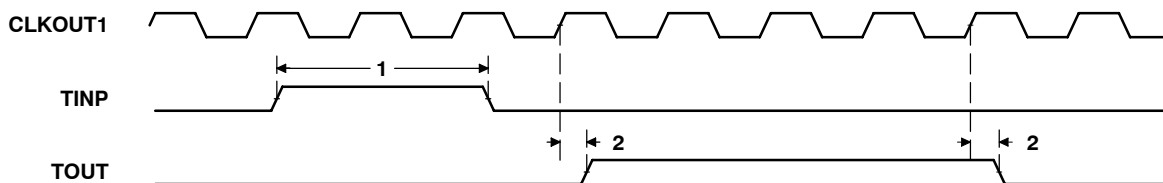


Figure 39. Timer Timing

SM320C6201, SMJ320C6201B DIGITAL SIGNAL PROCESSORS

SGUS028A - NOVEMBER 1998 - REVISED JANUARY 1999

DMAC, TIMER, POWER-DOWN TIMING (CONTINUED)

switching characteristics for power-down outputs (see Figure 40)

NO.	PARAMETER	'C6201-150		'C6201B-150 'C6201B-200		UNIT
		MIN	MAX	MIN	MAX	
1	$t_{d(CKO1H-PDV)}$ Delay time, CLKOUT1 high to PD valid	2*	5	3	5	ns

*This parameter is not production tested.

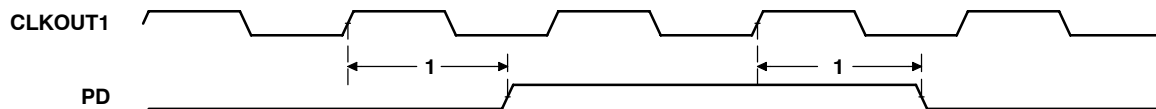


Figure 40. Power-Down Timing

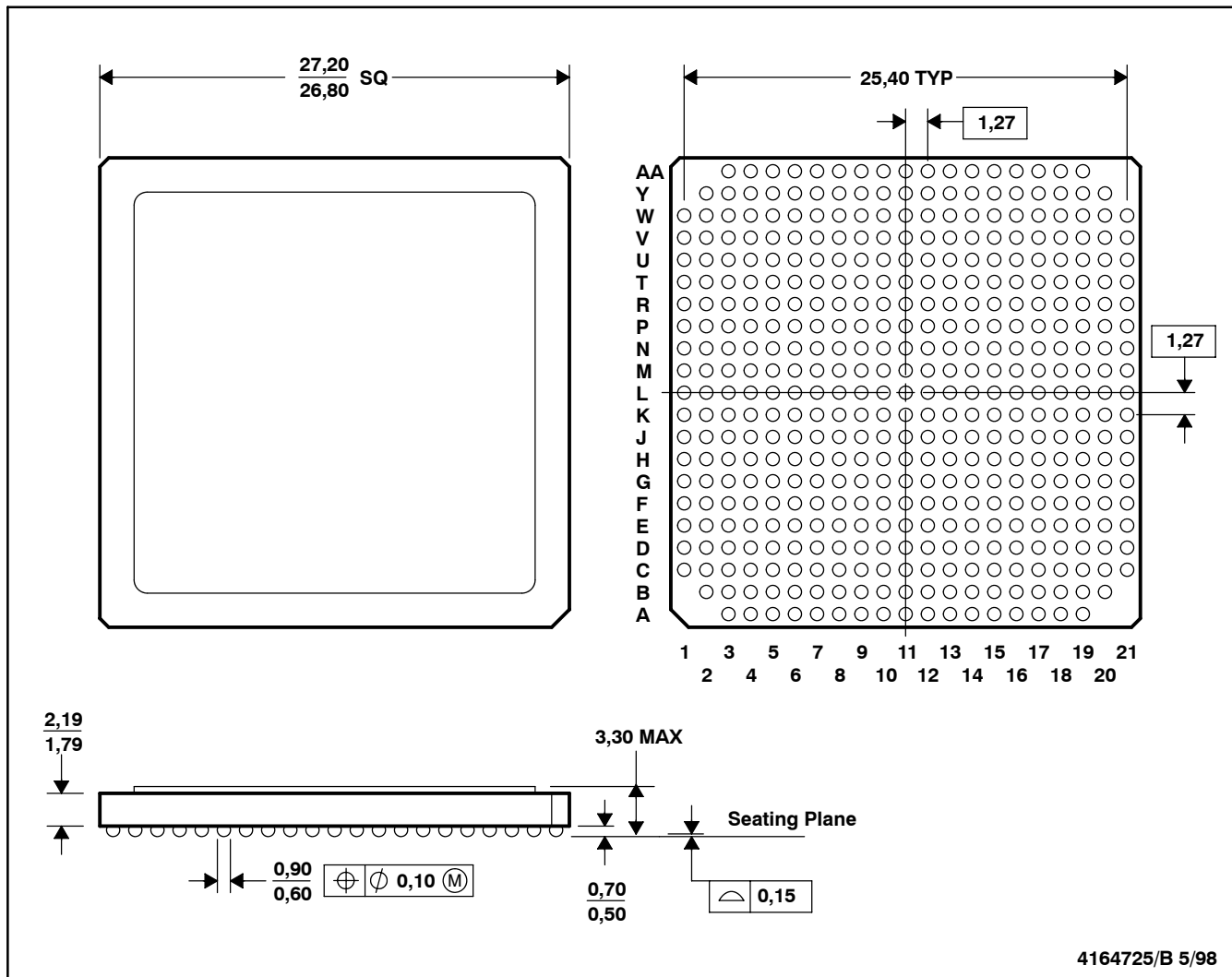
PRODUCT PREVIEW information concerns products in the formative or design phase of development. Characteristic data and other specifications are design goals. Texas Instruments reserves the right to change or discontinue these products without notice.



MECHANICAL DATA

GLE (S-CBGA-N429)

CERAMIC BALL GRID ARRAY



- NOTES: A. All linear dimensions are in millimeters.
 B. This drawing is subject to change without notice.
 C. Falls within JEDEC MO-156
 D. For 320C6201 (2.5 V core device).
 E. Package weight for GLE is 7.65 grams.

thermal resistance characteristics (S-CBGA package)

NO		°C/W	Air Flow
1	R θ_{JC} Junction-to-Case	1.7	N/A
2	R θ_{JA} Junction-to-Ambient	14.4	0

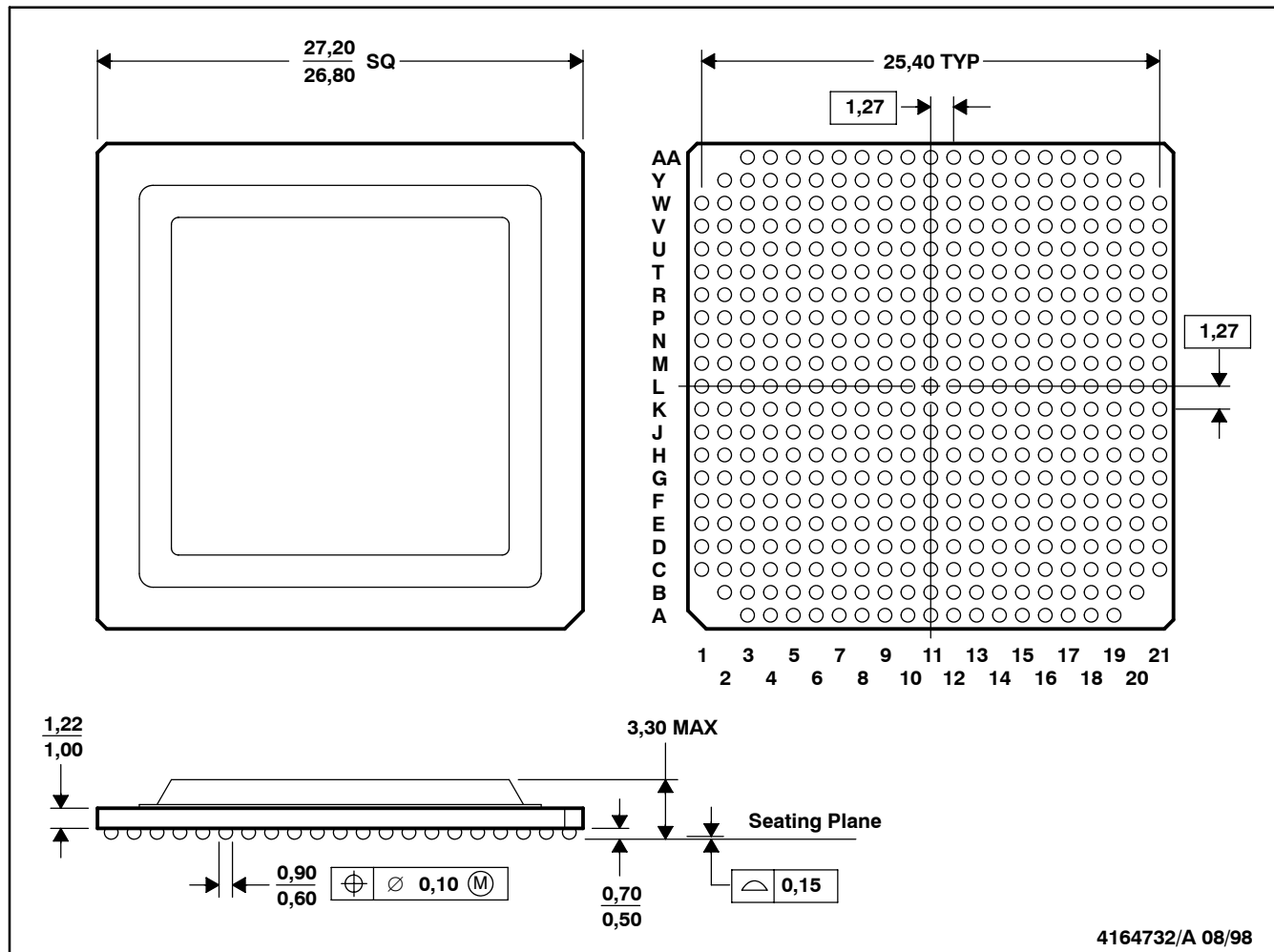
SM320C6201, SMJ320C6201B DIGITAL SIGNAL PROCESSORS

SGUS028A - NOVEMBER 1998 - REVISED JANUARY 1999

MECHANICAL DATA

GLP (S-CBGA-N429)

CERAMIC BALL GRID ARRAY



- NOTES: A. All linear dimensions are in millimeters.
 B. This drawing is subject to change without notice.
 C. Falls within JEDEC MO-156
 D. Flip chip application only
 E. For 320C6201B (1.8 V core device).
 F. Package weight for GLP is 7.65 grams.

thermal resistance characteristics (S-CBGA package)

NO		°C/W	Air Flow
1	R θ_{JC} Junction-to-Case	1.7	N/A
2	R θ_{JA} Junction-to-Ambient	14.4	0

PACKAGING INFORMATION

Orderable Device	Status ⁽¹⁾	Package Type	Package Drawing	Pins	Package Qty	Eco Plan ⁽²⁾	Lead/ Ball Finish	MSL Peak Temp ⁽³⁾	Samples (Requires Login)
5962-9857801QXA	ACTIVE	CFCBGA	GLP	429	1	TBD	Call TI	Call TI	
SM320C6201BGLPS20	ACTIVE	CFCBGA	GLP	429	1	TBD	Call TI	N / A for Pkg Type	
SMJ320C6201BGLPW15	ACTIVE	CFCBGA	GLP	429	1	TBD	Call TI	N / A for Pkg Type	

⁽¹⁾ The marketing status values are defined as follows:

ACTIVE: Product device recommended for new designs.

LIFEBUY: TI has announced that the device will be discontinued, and a lifetime-buy period is in effect.

NRND: Not recommended for new designs. Device is in production to support existing customers, but TI does not recommend using this part in a new design.

PREVIEW: Device has been announced but is not in production. Samples may or may not be available.

OBSOLETE: TI has discontinued the production of the device.

⁽²⁾ Eco Plan - The planned eco-friendly classification: Pb-Free (RoHS), Pb-Free (RoHS Exempt), or Green (RoHS & no Sb/Br) - please check <http://www.ti.com/productcontent> for the latest availability information and additional product content details.

TBD: The Pb-Free/Green conversion plan has not been defined.

Pb-Free (RoHS): TI's terms "Lead-Free" or "Pb-Free" mean semiconductor products that are compatible with the current RoHS requirements for all 6 substances, including the requirement that lead not exceed 0.1% by weight in homogeneous materials. Where designed to be soldered at high temperatures, TI Pb-Free products are suitable for use in specified lead-free processes.

Pb-Free (RoHS Exempt): This component has a RoHS exemption for either 1) lead-based flip-chip solder bumps used between the die and package, or 2) lead-based die adhesive used between the die and leadframe. The component is otherwise considered Pb-Free (RoHS compatible) as defined above.

Green (RoHS & no Sb/Br): TI defines "Green" to mean Pb-Free (RoHS compatible), and free of Bromine (Br) and Antimony (Sb) based flame retardants (Br or Sb do not exceed 0.1% by weight in homogeneous material)

⁽³⁾ MSL, Peak Temp. -- The Moisture Sensitivity Level rating according to the JEDEC industry standard classifications, and peak solder temperature.

Important Information and Disclaimer: The information provided on this page represents TI's knowledge and belief as of the date that it is provided. TI bases its knowledge and belief on information provided by third parties, and makes no representation or warranty as to the accuracy of such information. Efforts are underway to better integrate information from third parties. TI has taken and continues to take reasonable steps to provide representative and accurate information but may not have conducted destructive testing or chemical analysis on incoming materials and chemicals. TI and TI suppliers consider certain information to be proprietary, and thus CAS numbers and other limited information may not be available for release.

In no event shall TI's liability arising out of such information exceed the total purchase price of the TI part(s) at issue in this document sold by TI to Customer on an annual basis.

OTHER QUALIFIED VERSIONS OF SM320C6201B, SMJ320C6201 :

● Catalog: [TMS320C6201](#)

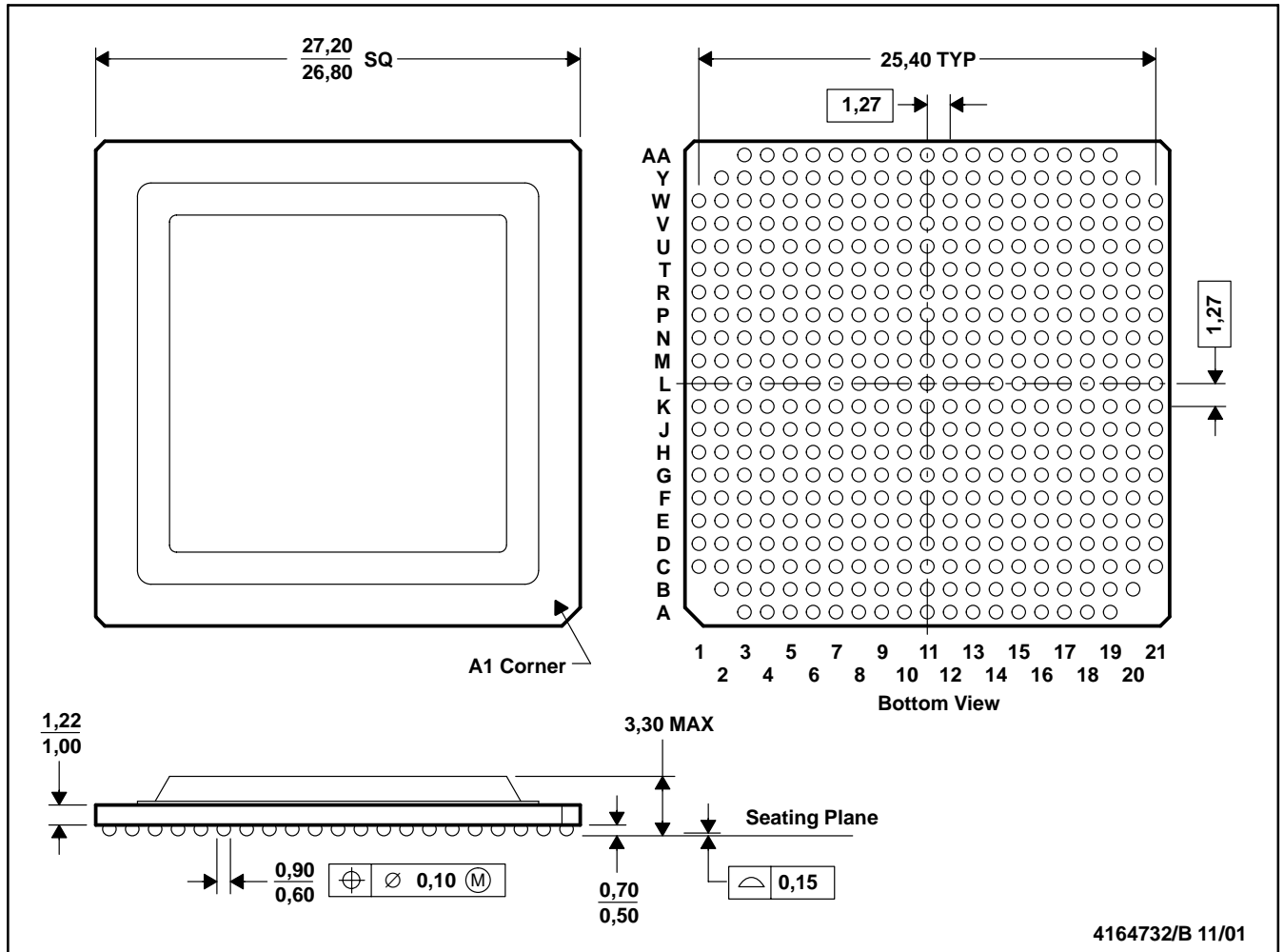
● Military: [SMJ320C6201B](#)

NOTE: Qualified Version Definitions:

- Catalog - TI's standard catalog product
- Military - QML certified for Military and Defense Applications

GLP (S-CBGA-N429)

CERAMIC BALL GRID ARRAY



- NOTES: A. All linear dimensions are in millimeters.
 B. This drawing is subject to change without notice.
 C. Falls within JEDEC MO-156
 D. Flip chip application only

IMPORTANT NOTICE

Texas Instruments Incorporated and its subsidiaries (TI) reserve the right to make corrections, modifications, enhancements, improvements, and other changes to its products and services at any time and to discontinue any product or service without notice. Customers should obtain the latest relevant information before placing orders and should verify that such information is current and complete. All products are sold subject to TI's terms and conditions of sale supplied at the time of order acknowledgment.

TI warrants performance of its hardware products to the specifications applicable at the time of sale in accordance with TI's standard warranty. Testing and other quality control techniques are used to the extent TI deems necessary to support this warranty. Except where mandated by government requirements, testing of all parameters of each product is not necessarily performed.

TI assumes no liability for applications assistance or customer product design. Customers are responsible for their products and applications using TI components. To minimize the risks associated with customer products and applications, customers should provide adequate design and operating safeguards.

TI does not warrant or represent that any license, either express or implied, is granted under any TI patent right, copyright, mask work right, or other TI intellectual property right relating to any combination, machine, or process in which TI products or services are used. Information published by TI regarding third-party products or services does not constitute a license from TI to use such products or services or a warranty or endorsement thereof. Use of such information may require a license from a third party under the patents or other intellectual property of the third party, or a license from TI under the patents or other intellectual property of TI.

Reproduction of TI information in TI data books or data sheets is permissible only if reproduction is without alteration and is accompanied by all associated warranties, conditions, limitations, and notices. Reproduction of this information with alteration is an unfair and deceptive business practice. TI is not responsible or liable for such altered documentation. Information of third parties may be subject to additional restrictions.

Resale of TI products or services with statements different from or beyond the parameters stated by TI for that product or service voids all express and any implied warranties for the associated TI product or service and is an unfair and deceptive business practice. TI is not responsible or liable for any such statements.

TI products are not authorized for use in safety-critical applications (such as life support) where a failure of the TI product would reasonably be expected to cause severe personal injury or death, unless officers of the parties have executed an agreement specifically governing such use. Buyers represent that they have all necessary expertise in the safety and regulatory ramifications of their applications, and acknowledge and agree that they are solely responsible for all legal, regulatory and safety-related requirements concerning their products and any use of TI products in such safety-critical applications, notwithstanding any applications-related information or support that may be provided by TI. Further, Buyers must fully indemnify TI and its representatives against any damages arising out of the use of TI products in such safety-critical applications.

TI products are neither designed nor intended for use in military/aerospace applications or environments unless the TI products are specifically designated by TI as military-grade or "enhanced plastic." Only products designated by TI as military-grade meet military specifications. Buyers acknowledge and agree that any such use of TI products which TI has not designated as military-grade is solely at the Buyer's risk, and that they are solely responsible for compliance with all legal and regulatory requirements in connection with such use.

TI products are neither designed nor intended for use in automotive applications or environments unless the specific TI products are designated by TI as compliant with ISO/TS 16949 requirements. Buyers acknowledge and agree that, if they use any non-designated products in automotive applications, TI will not be responsible for any failure to meet such requirements.

Following are URLs where you can obtain information on other Texas Instruments products and application solutions:

Products

Audio	www.ti.com/audio
Amplifiers	amplifier.ti.com
Data Converters	dataconverter.ti.com
DLP® Products	www.dlp.com
DSP	dsp.ti.com
Clocks and Timers	www.ti.com/clocks
Interface	interface.ti.com
Logic	logic.ti.com
Power Mgmt	power.ti.com
Microcontrollers	microcontroller.ti.com
RFID	www.ti-rfid.com
OMAP Mobile Processors	www.ti.com/omap
Wireless Connectivity	www.ti.com/wirelessconnectivity

Applications

Automotive and Transportation	www.ti.com/automotive
Communications and Telecom	www.ti.com/communications
Computers and Peripherals	www.ti.com/computers
Consumer Electronics	www.ti.com/consumer-apps
Energy and Lighting	www.ti.com/energy
Industrial	www.ti.com/industrial
Medical	www.ti.com/medical
Security	www.ti.com/security
Space, Avionics and Defense	www.ti.com/space-avionics-defense
Video and Imaging	www.ti.com/video

TI E2E Community Home Page

e2e.ti.com

Mailing Address: Texas Instruments, Post Office Box 655303, Dallas, Texas 75265
Copyright © 2012, Texas Instruments Incorporated