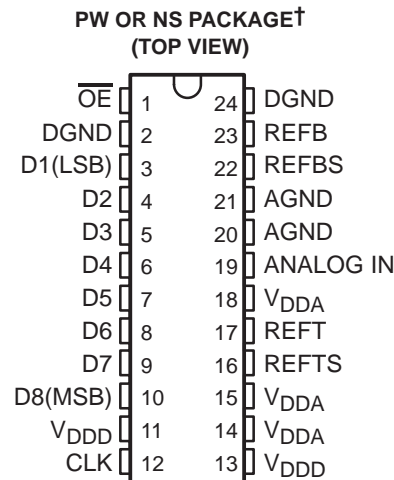


TLV5510

2.7-V TO 3.6-V 8-BIT HIGH-SPEED ANALOG-TO-DIGITAL CONVERTER

SLAS124C—DECEMBER 1997—REVISED DECEMBER 1999

- **8-Bit Resolution**
- **Integral Linearity Error**
 ± 0.75 LSB Max (25°C)
 ± 1 LSB Max (-35°C to 85°C)
- **Differential Linearity Error**
 ± 0.5 LSB (25°C)
 ± 0.75 LSB Max (-35°C to 85°C)
- **Maximum Conversion Rate**
10 Mega-Samples per Second (MSPS) Min
- **2.7-V to 3.6-V Single-Supply Operation**
- **Low Power Consumption . . . 42 mW Typ at 3 V**
- **Low Voltage Replacement for CXD1175**



† Also available in tape and reel and ordered as the TLV5510INSR.

Applications

- **Communications**
- **Digital Imaging**
- **Video Conferencing**
- **High-Speed Data Conversion**

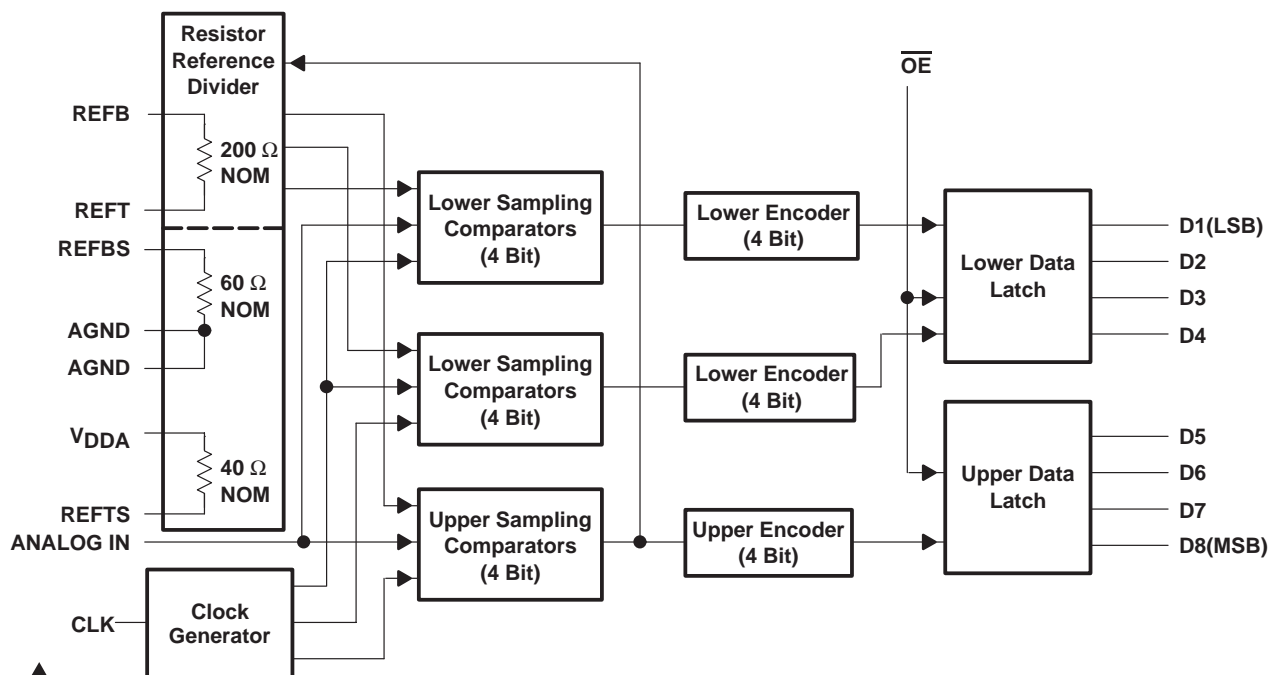
AVAILABLE OPTIONS

T _A	PACKAGE	
	TSSOP (PW)	SOP (NS)
-35°C to 85°C	TLV5510IPW	TLV5510INS

description

The TLV5510 is a CMOS 8-bit resolution semiflash analog-to-digital converter (ADC) with a 2.7-V to 3.6-V single power supply and an internal reference voltage source. It converts a wide band analog signal (such as a video signal) to a digital signal at a sampling rate of dc to 10 MHz.

functional block diagram



Please be aware that an important notice concerning availability, standard warranty, and use in critical applications of Texas Instruments semiconductor products and disclaimers thereto appears at the end of this data sheet.

PRODUCTION DATA information is current as of publication date. Products conform to specifications per the terms of Texas Instruments standard warranty. Production processing does not necessarily include testing of all parameters.

**TEXAS
INSTRUMENTS**

POST OFFICE BOX 655303 • DALLAS, TEXAS 75265

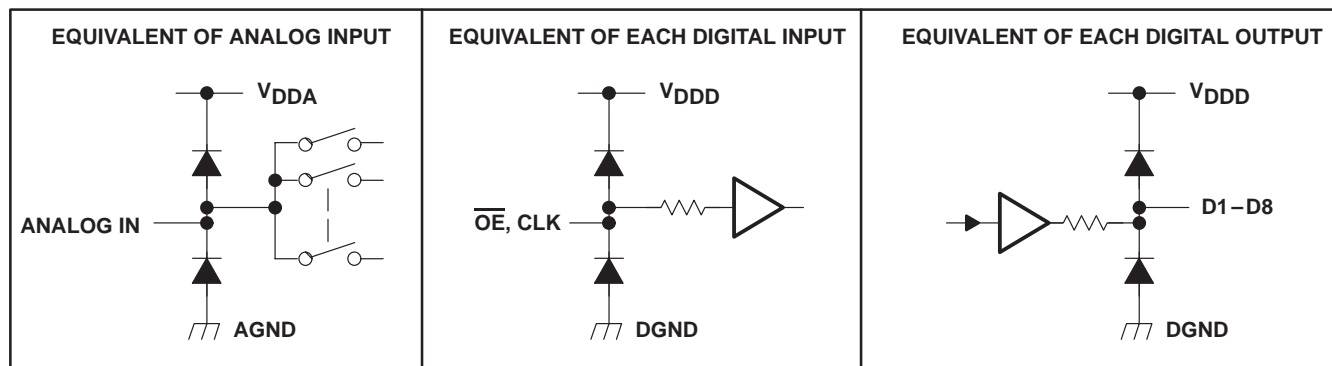
Copyright © 1999, Texas Instruments Incorporated

TLV5510

2.7-V TO 3.6-V 8-BIT HIGH-SPEED ANALOG-TO-DIGITAL CONVERTER

SLAS124C– DECEMBER 1997 – REVISED DECEMBER 1999

schematics of inputs and outputs



Terminal Functions

TERMINAL NAME	NO.	I/O	DESCRIPTION
AGND	20, 21		Analog ground
ANALOG IN	19	I	Analog input
CLK	12	I	Clock input
DGND	2, 24		Digital ground
D1–D8	3–10	O	Digital data out. D1:LSB, D8:MSB
\overline{OE}	1	I	Output enable. When \overline{OE} = low, data is enabled. When \overline{OE} = high, D1 – D8 is high impedance.
VDDA	14, 15, 18		Analog supply voltage
VDDD	11, 13		Digital supply voltage
REFB	23	I	Reference voltage in (bottom)
REFBS	22		Reference voltage (bottom). When using the internal voltage divider to generate a nominal 2-V reference, this terminal is shorted to the REFB terminal and the REFTS terminal is shorted to the REFT terminal (see Figure 21).
REFT	17	I	Reference voltage in (top)
REFTS	16		Reference voltage (top). When using the internal voltage divider to generate a nominal 2-V reference, this terminal is shorted to the REFT terminal and the REFBS terminal is shorted to the REFB terminal (see Figure 21).

absolute maximum ratings over operating free-air temperature range (unless otherwise noted)†

Supply voltage, V_{DDA} , V_{DDD}	7 V
Reference voltage input range, REFT, REFB, REFBS, REFTS	AGND to V_{DDA}
Analog input voltage range, $V_{I(ANLG)}$	AGND to V_{DDA}
Digital input voltage range, $V_{I(DGTL)}$	DGND to V_{DDD}
Digital output voltage range, $V_{O(DGTL)}$	DGND to V_{DDD}
Operating free-air temperature range, T_A	–35°C to 85°C
Storage temperature range, T_{stg}	–55°C to 150°C

† Stresses beyond those listed under “absolute maximum ratings” may cause permanent damage to the device. These are stress ratings only, and functional operation of the device at these or any other conditions beyond those indicated under “recommended operating conditions” is not implied. Exposure to absolute-maximum-rated conditions for extended periods may affect device reliability.

TLV5510

2.7-V TO 3.6-V 8-BIT HIGH-SPEED ANALOG-TO-DIGITAL CONVERTER

SLAS124C– DECEMBER 1997 – REVISED DECEMBER 1999

recommended operating conditions

		MIN	NOM	MAX	UNIT
Supply voltage	$V_{DDA}-AGND$	2.7	3	3.6	V
	$V_{DDD}-DGND$	2.7	3	3.6	
	$AGND-DGND$	-100	0	100	mV
Reference input voltage (top), REFT		REFB+2		$V_{DDA}-0.3$	V
Reference input voltage (bottom), REFB		0	0.6	REFB-2	V
Analog input voltage range, $V_{I(ANLG)}$ (see Note 1)		REFB		REFT	V
High-level input voltage, V_{IH}		2.5			V
Low-level input voltage, V_{IL}				0.5	V
Pulse duration, clock high, $t_{w(H)}$		10			ns
Pulse duration, clock low, $t_{w(L)}$		10			ns
Clock frequency, $f_{(CLK)}$				10	MHz
Sampling frequency, f_s				10	MSPS

NOTE 1: REFT – REFB \leq 2.4 V maximum

electrical characteristics at $V_{DDD} = V_{DDA} = 3$ V, REFT = 2.5 V, REFB = 0.5 V, $f_{(CLK)} = 10$ MHz, $T_A = 25^\circ\text{C}$ (unless otherwise noted)

digital I/O

PARAMETER		TEST CONDITIONS†	MIN	TYP	MAX	UNIT
I_{IH}	High-level input current	$V_{DDD} = \text{MAX}$, $V_{IH} = V_{DDD}$			5	μA
I_{IL}	Low-level input current	$V_{DDD} = \text{MAX}$, $V_{IL} = 0$			5	
I_{OH}	High-level output current	$\overline{OE} = \text{GND}$, $V_{DDD} = \text{MIN}$, $V_{OH} = V_{DDD}-0.5$ V	-1.6			mA
I_{OL}	Low-level output current	$\overline{OE} = \text{GND}$, $V_{DDD} = \text{MIN}$, $V_{OL} = 0.4$ V	2.6			
I_{OZH}	High-level high-impedance-state output leakage current	$\overline{OE} = V_{DDD}$, $V_{DDD} = \text{MAX}$, $V_{OH} = V_{DDD}$			15	μA
I_{OZL}	Low-level high-impedance-state output leakage current	$\overline{OE} = V_{DDD}$, $V_{DDD} = \text{MIN}$, $V_{OL} = 0$			15	

† Conditions marked MIN or MAX are as stated in recommended operating conditions.

power

PARAMETER		TEST CONDITIONS†	MIN	TYP	MAX	UNIT
I_{DD}	Supply current	$f_{\text{sin}} = 1$ MHz sine wave, reference resistor dissipation is separate		4	10	mA
I_{ref}	Reference voltage current	$\Delta\text{REF} = \text{REFT} - \text{REFB} = 2$ V	6	10	14	mA

† Conditions marked MIN or MAX are as stated in recommended operating conditions.

TLV5510

2.7-V TO 3.6-V 8-BIT HIGH-SPEED ANALOG-TO-DIGITAL CONVERTER

SLAS124C– DECEMBER 1997 – REVISED DECEMBER 1999

electrical characteristics at $V_{DD3} = V_{DDA} = 3\text{ V}$, $REFT = 2.5\text{ V}$, $REFB = 0.5\text{ V}$, $f_{(CLK)} = 10\text{ MHz}$, $T_A = 25^\circ\text{C}$ (unless otherwise noted) (continued)

static performance

PARAMETER		TEST CONDITIONS†	MIN	TYP	MAX	UNIT
Self-bias (1), at REFB	Self-bias (1), $REFT - REFB$	Short REFB to REFBS, Short REFT to REFTS	0.54	0.60	0.72	V
Self-bias (1), $REFT - REFB$			1.8	2	2.4	
Self-bias (2), at REFT		Short REFB to AGND, Short REFT to REFTS	2.25	2.5	3	
R_{ref}	Reference voltage resistor	Between REFT and REFB	140	200	260	Ω
C_i	Analog input capacitance	$V_I(ANLG) = 1.5\text{ V} + 0.07 V_{rms}$		16		pF
Integral nonlinearity (INL)	$f_{(CLK)} = 10\text{ MHz}$, $V_I = 0.5\text{ V to } 2.5\text{ V}$	$T_A = 25^\circ\text{C}$		± 0.3	± 0.75	LSB
		$T_A = -35^\circ\text{C to } 85^\circ\text{C}$			± 1	
Differential nonlinearity (DNL)	$f_{(CLK)} = 10\text{ MHz}$, $V_I = 0.5\text{ V to } 2.5\text{ V}$	$T_A = 25^\circ\text{C}$		± 0.2	± 0.5	
		$T_A = -35^\circ\text{C to } 85^\circ\text{C}$			± 0.75	
EZS	Zero-scale error	$\Delta REF = REFT - REFB = 2\text{ V}$	-18	-43	-68	mV
EFS	Full-scale error	$\Delta REF = REFT - REFB = 2\text{ V}$	-20	0	20	mV

† Conditions marked MIN or MAX are as stated in recommended operating conditions.

operating characteristics at $V_{DD3} = V_{DDA} = 3\text{ V}$, $REFT = 2.5\text{ V}$, $REFB = 0.5\text{ V}$, $f_{(CLK)} = 10\text{ MHz}$, $T_A = 25^\circ\text{C}$ (unless otherwise noted)

PARAMETER		TEST CONDITIONS	MIN	TYP	MAX	UNIT
f_{conv}	Maximum conversion rate	$f_I = 1\text{-kHz ramp wave form}$, $V_I(ANLG) = 0.5\text{ V} - 2.5\text{ V}$	0.2		10	MSPS
BW	Analog input bandwidth	At -1 dB		17		MHz
		At -3 dB		36		MHz
$t_{d(D)}$	Digital output delay time	$C_L \leq 10\text{ pF}$ (see Note 1 and Figure 1)		18	30	ns
t_{AJ}	Aperture jitter time			30		ps
$t_{d(s)}$	Sampling delay time			4		ns
t_{en}	Enable time, $\overline{OE} \downarrow$ to valid data	$C_L = 10\text{ pF}$		15		ns
t_{dis}	Disable time, $\overline{OE} \uparrow$ to high impedance	$C_L = 10\text{ pF}$		10		ns
Spurious free dynamic range (SFDR)	Input tone = 1 MHz	$T_A = 25^\circ\text{C}$		41		dB
		Full range		41		
	Input tone = 1.4 MHz	$T_A = 25^\circ\text{C}$		38		
		Full range		38		
SNR	Signal-to-noise ratio	Input tone = 1.4 MHz	$T_A = 25^\circ\text{C}$		38	dB
			Full range		37	

NOTE 2: C_L includes probe and jig capacitance.



TLV5510

2.7-V TO 3.6-V 8-BIT HIGH-SPEED ANALOG-TO-DIGITAL CONVERTER

SLAS124C– DECEMBER 1997 – REVISED DECEMBER 1999

PARAMETER MEASUREMENT INFORMATION

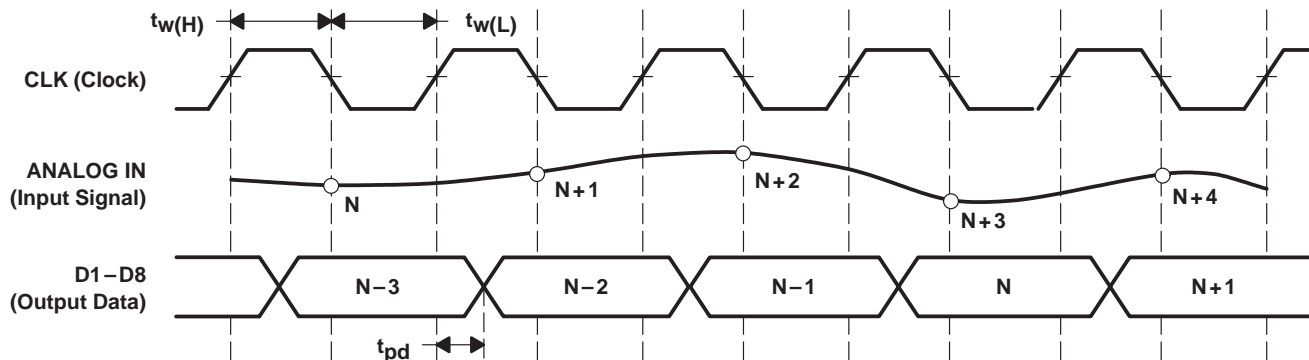


Figure 1. I/O Timing Diagram

TYPICAL CHARACTERISTICS

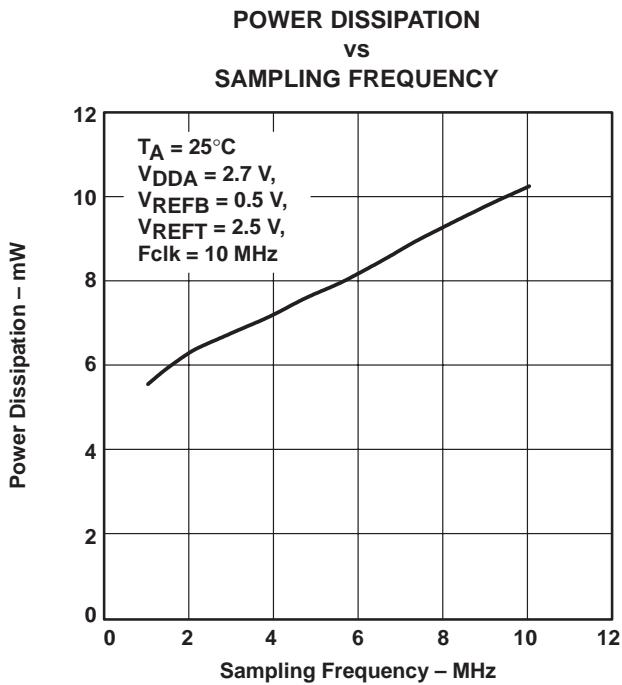


Figure 2

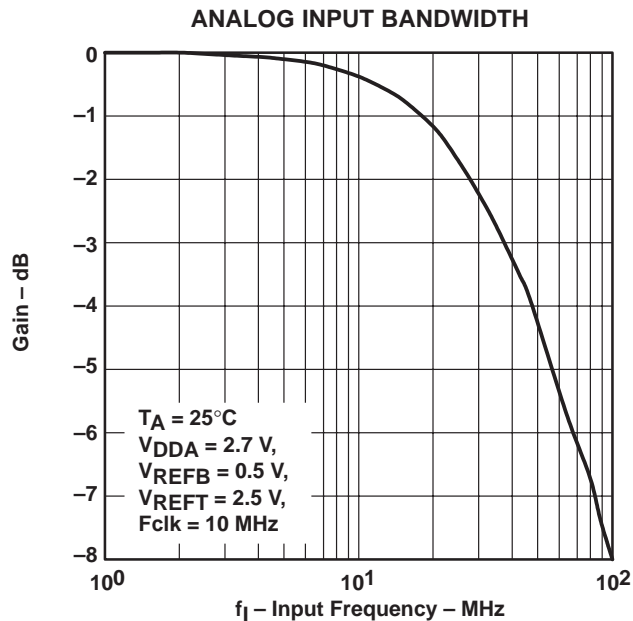


Figure 3

TLV5510 2.7-V TO 3.6-V 8-BIT HIGH-SPEED ANALOG-TO-DIGITAL CONVERTER

SLAS124C– DECEMBER 1997 – REVISED DECEMBER 1999

TYPICAL CHARACTERISTICS

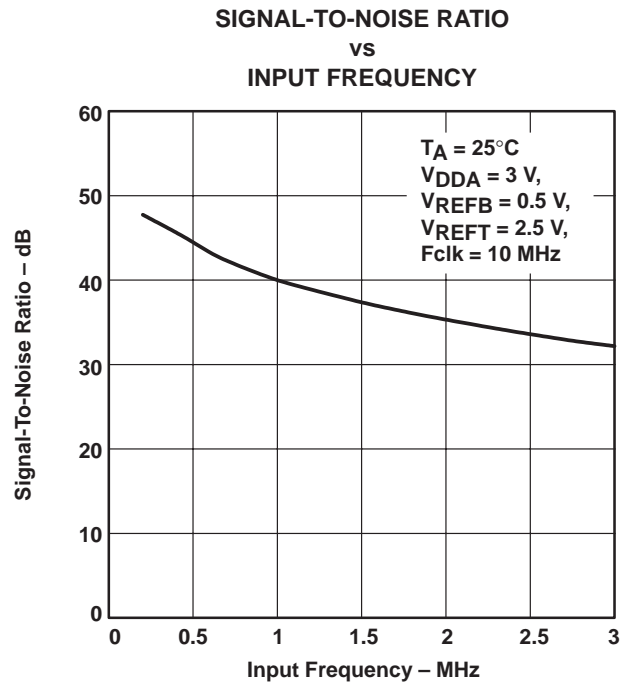


Figure 4

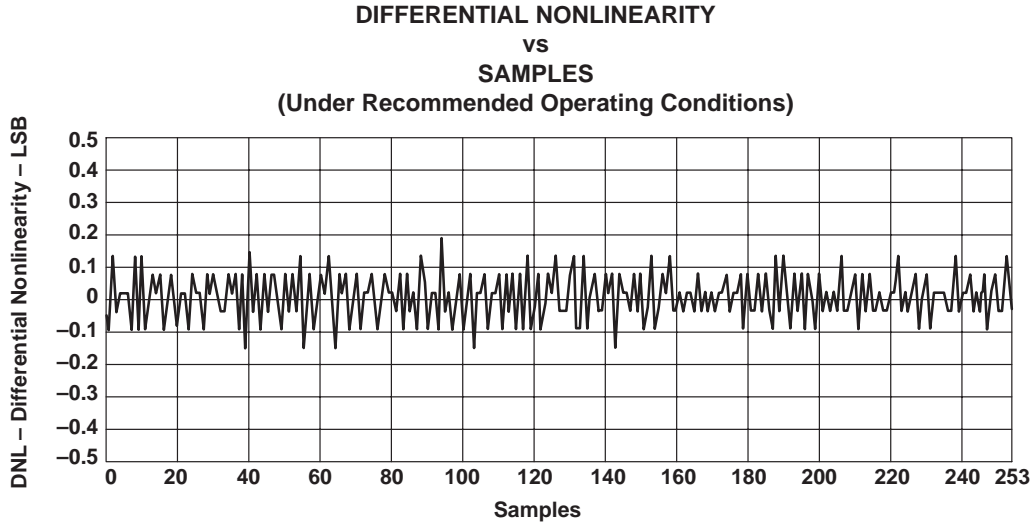


Figure 5



TYPICAL CHARACTERISTICS

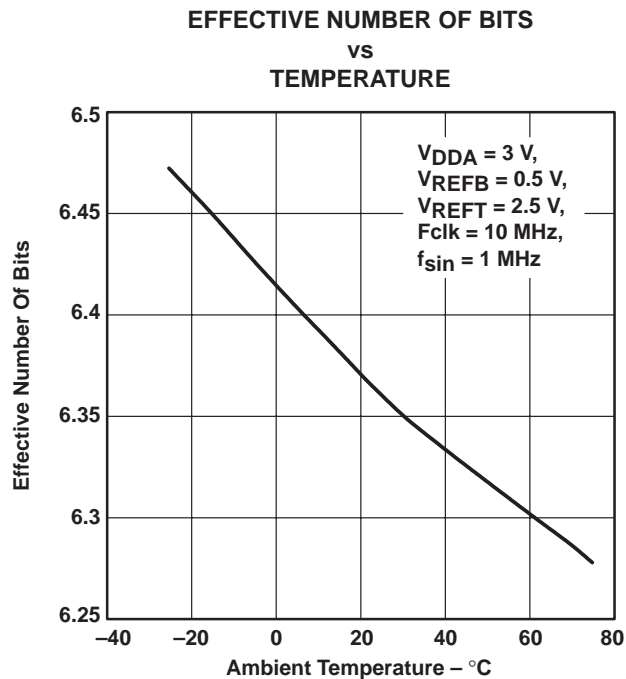


Figure 6

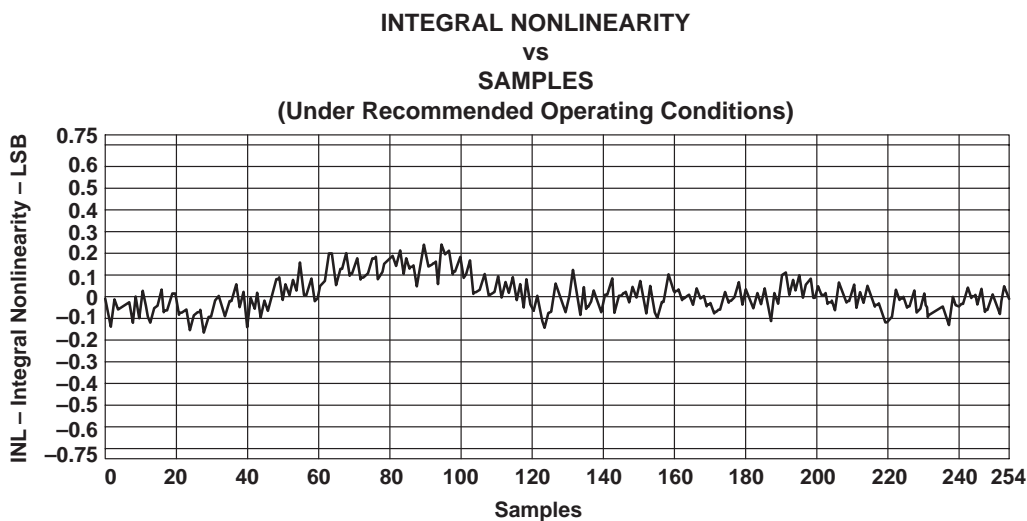


Figure 7

TLV5510 2.7-V TO 3.6-V 8-BIT HIGH-SPEED ANALOG-TO-DIGITAL CONVERTER

SLAS124C– DECEMBER 1997 – REVISED DECEMBER 1999

TYPICAL CHARACTERISTICS

FAST FOURIER TRANSFORM vs FREQUENCY (Under Recommended Operating Conditions)

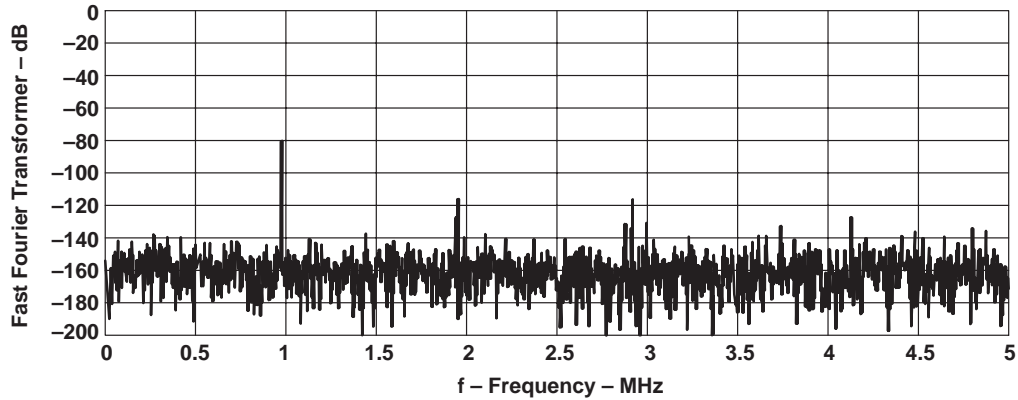


Figure 8

INTEGRAL LINEARITY ERROR vs FREQUENCY

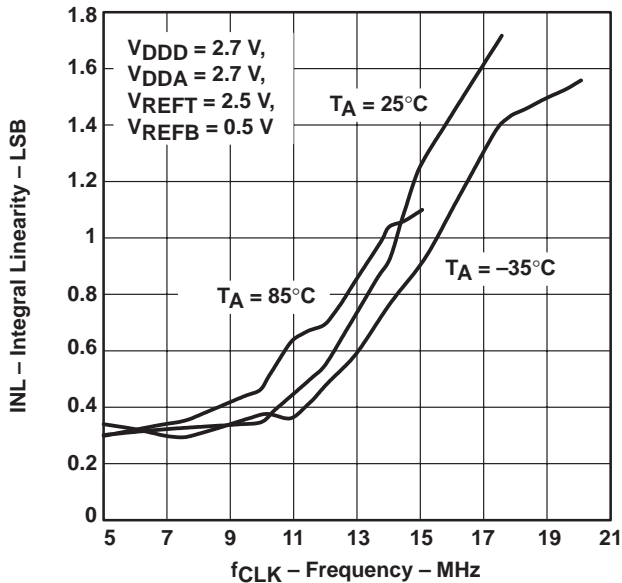


Figure 9

DIFFERENTIAL LINEARITY ERROR vs FREQUENCY

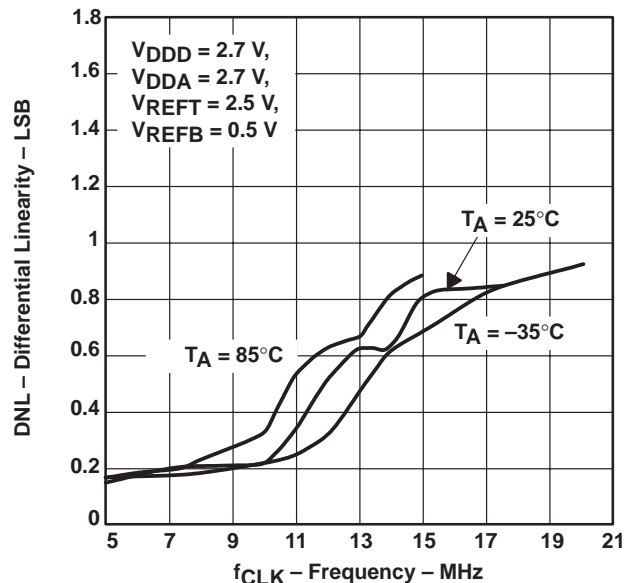
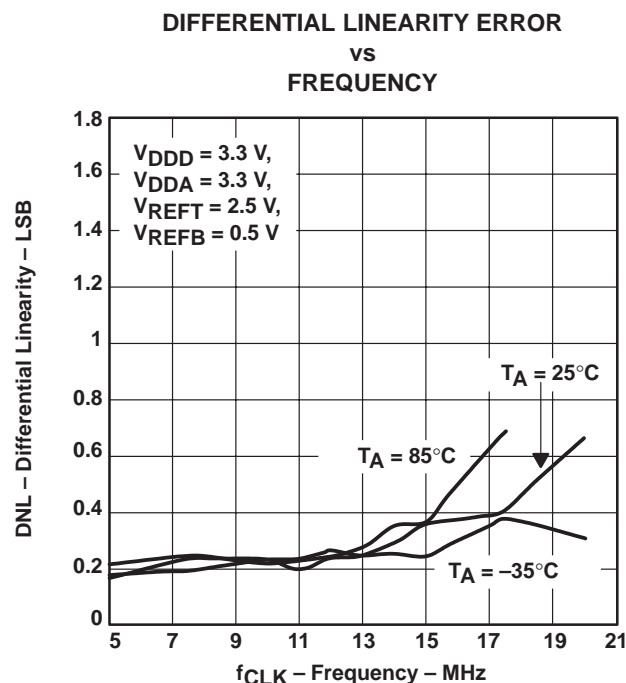
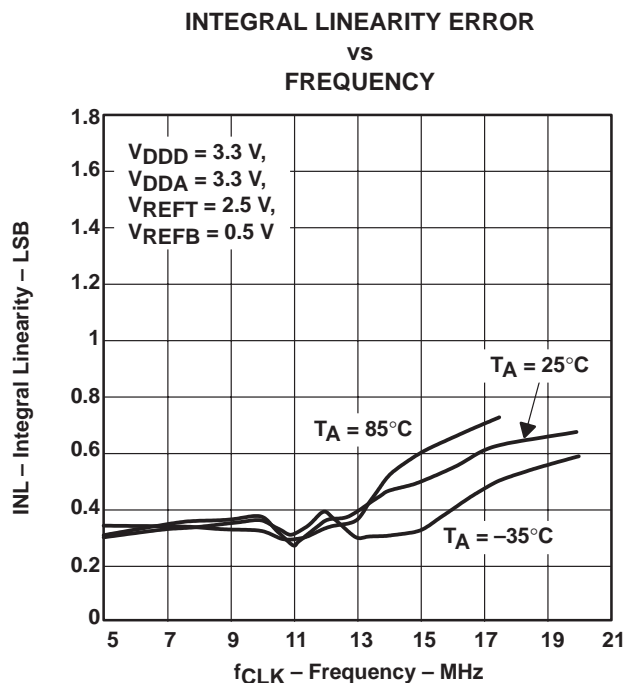
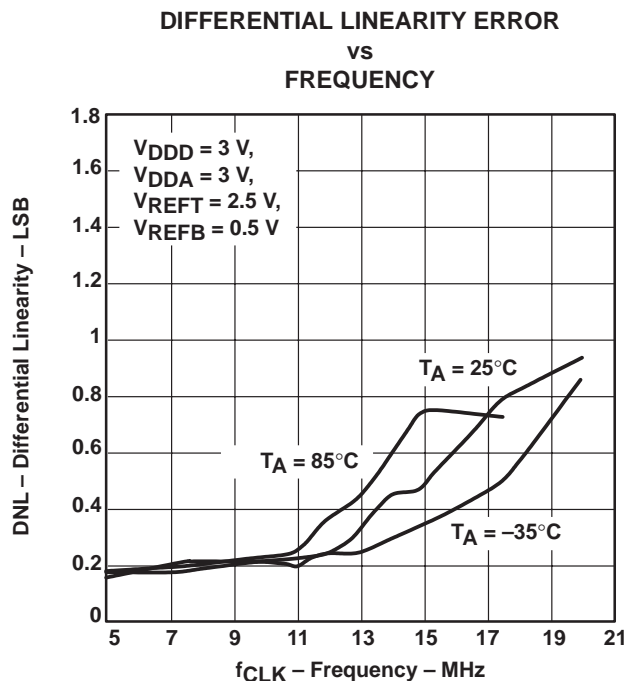
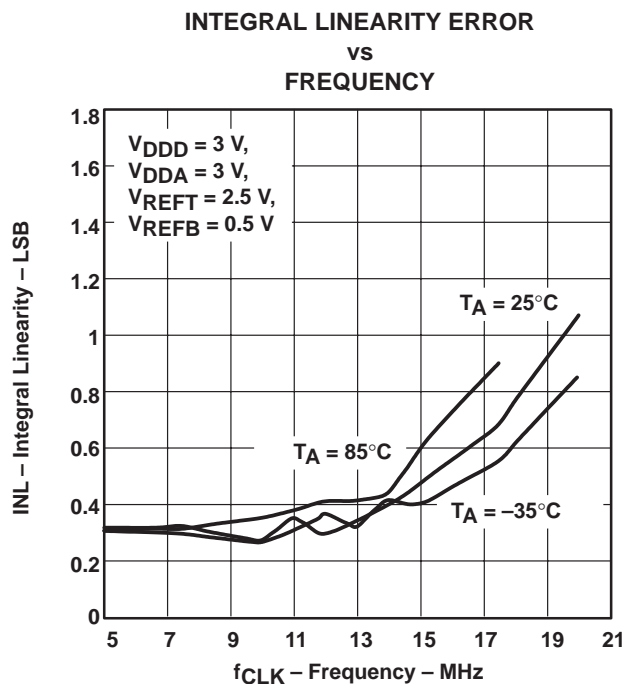


Figure 10



TYPICAL CHARACTERISTICS



TLV5510

2.7-V TO 3.6-V 8-BIT HIGH-SPEED ANALOG-TO-DIGITAL CONVERTER

SLAS124C– DECEMBER 1997 – REVISED DECEMBER 1999

TYPICAL CHARACTERISTICS

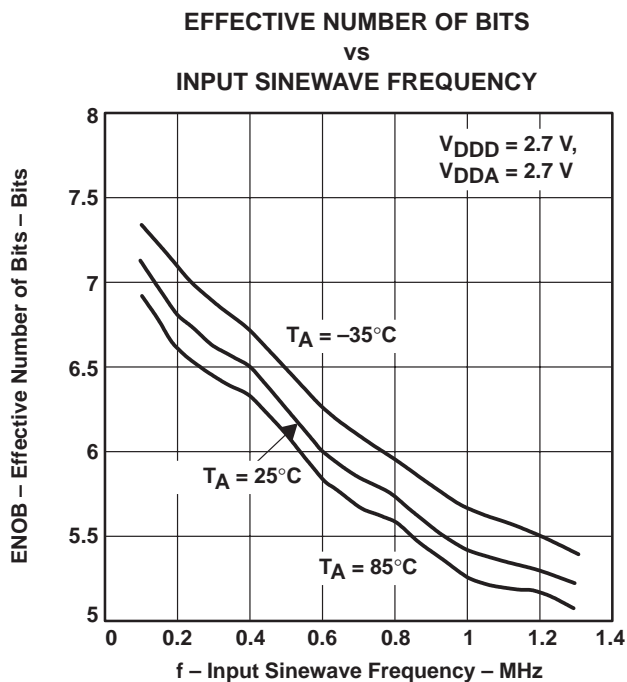


Figure 15

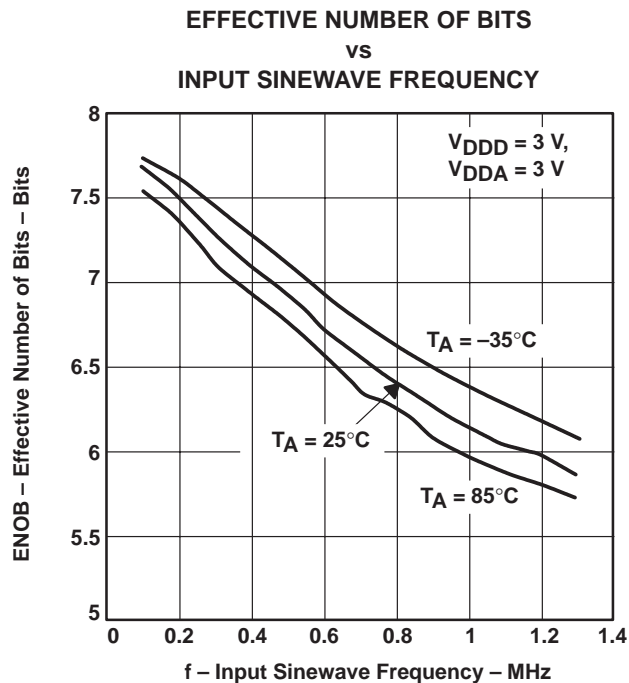


Figure 16

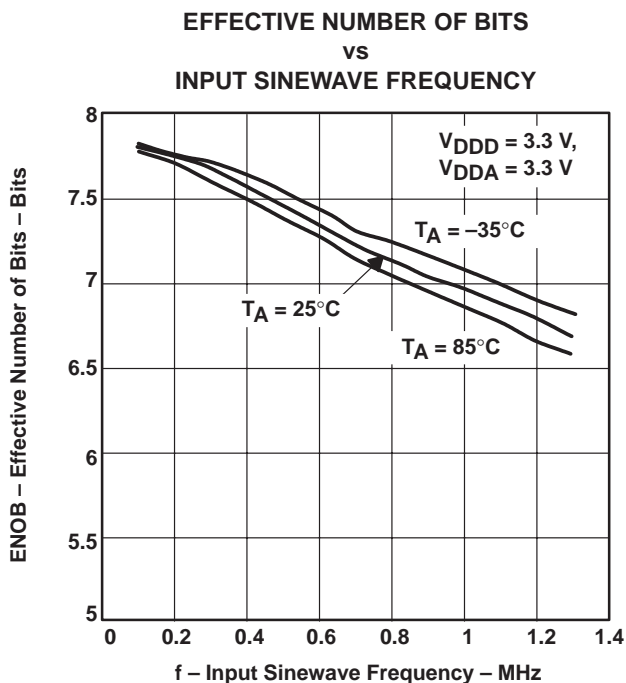


Figure 17



TLV5510

2.7-V TO 3.6-V 8-BIT HIGH-SPEED ANALOG-TO-DIGITAL CONVERTER

SLAS124C– DECEMBER 1997 – REVISED DECEMBER 1999

APPLICATION INFORMATION

The following notes are design recommendations that should be used with the TLV5510.

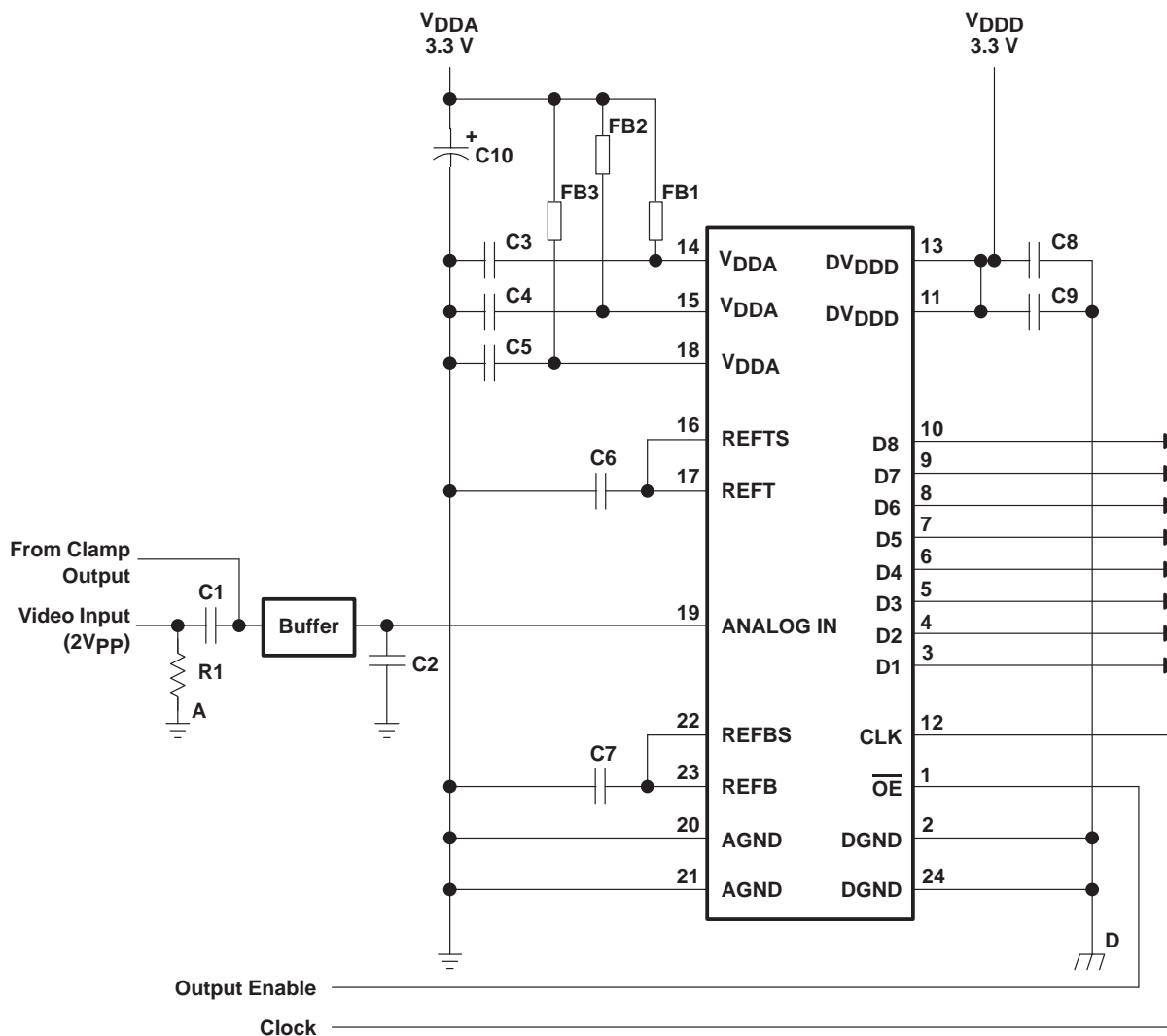
- External analog and digital circuitry should be physically separated and shielded as much as possible to reduce system noise.
- RF breadboarding or printed-circuit-board (PCB) techniques should be used throughout the evaluation and production process. Breadboards should be copper clad for bench evaluation.
- Since AGND and DGND are connected internally, the ground lead in must be kept as noise free as possible. A good method to use is twisted-pair cables for the supply lines to minimize noise pickup. An analog and digital ground plane should be used on PCB layouts when additional logic devices are used. The AGND and DGND terminals of the device should be tied to the analog ground plane.
- V_{DDA} to AGND and V_{DDD} to DGND should be decoupled with 1- μ F and 0.01- μ F capacitors, respectively, placed as close as possible to the appropriate device terminals. A ceramic chip capacitor is recommended for the 0.01- μ F capacitor. Care should be exercised to assure a solid noise-free ground connection for the analog and digital grounds.
- V_{DDA} , AGND, and ANALOG IN terminals should be shielded from the higher frequency terminals, CLK and D0–D7. If possible, AGND traces should be placed on both sides of the ANALOG IN traces on the PCB for shielding.
- In testing or application of the device, the resistance of the driving source connected to the analog input should be 10 Ω or less within the analog frequency range of interest.



TLV5510 2.7-V TO 3.6-V 8-BIT HIGH-SPEED ANALOG-TO-DIGITAL CONVERTER

SLAS124C– DECEMBER 1997 – REVISED DECEMBER 1999

APPLICATION INFORMATION



LOCATION	DESCRIPTION
C1, C3, C4 – C9	0.1 µF Capacitor
C2	10 pF Capacitor
C10	47 µF Capacitor
FB1, FB2, FB3	Ferrite bead
R1	75 Ω Resistor

Figure 18. Application and Test Schematic Using Internal Reference

PRINCIPLES OF OPERATION

functional description

The TLV5510 is a semiflash ADC featuring two lower comparator blocks of four bits each.

As shown in Figure 19, input voltage $V_I(1)$ is sampled with the falling edge of CLK1 to the upper comparators block and the lower comparators block(A), S(1). The upper comparators block finalizes the upper data UD(1) with the rising edge of CLK2, and simultaneously, the lower reference voltage generates the voltage RV(1) corresponding to the upper data. The lower comparators block (A) finalizes the lower data LD(1) with the rising edge of CLK3. UD(1) and LD(1) are combined and output as OUT(1) with the rising edge of CLK4. According to the above internal operation described, output data is delayed 2.5 clocks from the analog input voltage sampling point.

Input voltage $V_I(2)$ is sampled with the falling edge of CLK2. UD(2) is finalized with the rising edge of CLK3, and LD(2) is finalized with the rising edge of CLK4 at the lower comparators block(B). OUT(2) is output with the rising edge of CLK5.

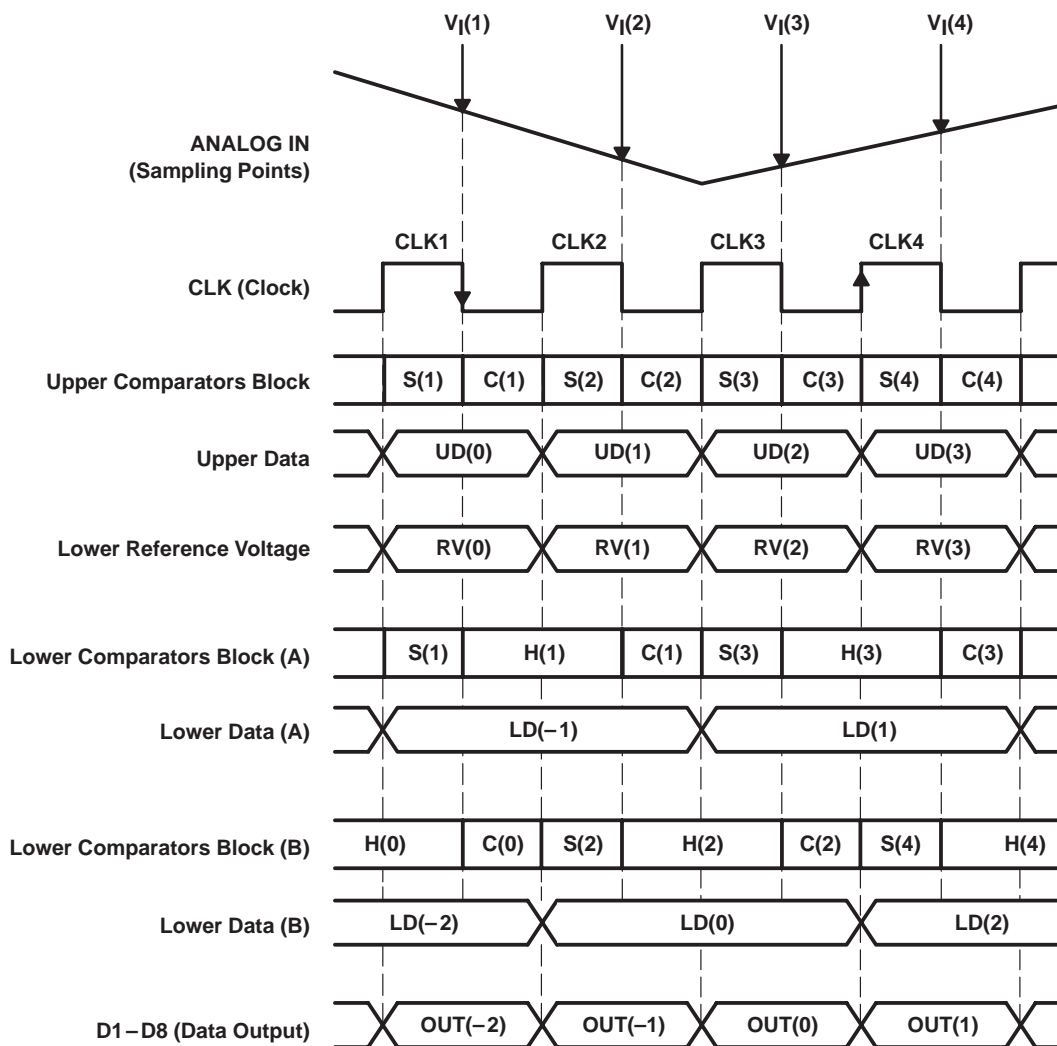


Figure 19. Internal Functional Timing Diagram

TLV5510

2.7-V TO 3.6-V 8-BIT HIGH-SPEED ANALOG-TO-DIGITAL CONVERTER

SLAS124C– DECEMBER 1997 – REVISED DECEMBER 1999

PRINCIPLES OF OPERATION

functional description (continued)

The MSB comparator block converts on the falling edge of each applied clock cycle. The LSB comparator blocks CB-A and CB-B convert on the falling edges of the first and second following clock cycles, respectively. The timing diagram of the conversion algorithm is shown in Figure 19.

analog input operation

The analog input stage to the TLV5510 is a chopper-stabilized comparator and is equivalently shown below:

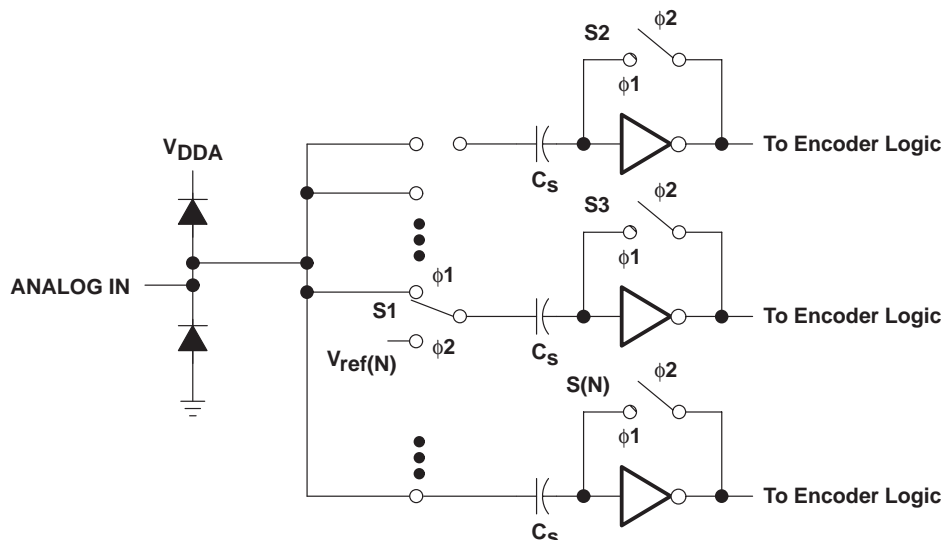


Figure 20. External Connections for Using the Internal Reference Resistor Divider

Figure 20 depicts the analog input for the TLV5510. The switches shown are controlled by two internal clocks, $\phi1$ and $\phi2$. These are nonoverlapping clocks that are generated from the CLK input. During the sampling period, $\phi1$, S1 is closed and the input signal is applied to one side of the sampling capacitor, C_s . Also during the sampling period, S2 through S(N) are closed. This sets the comparator input to approximately 2.5 V. The delta voltage is developed across C_s . During the comparison phase, $\phi2$, S1 is switched to the appropriate reference voltage for the bit value N, i.e., $V_{ref(N)}$. S2 is opened and $V_{ref(N)} - VC_s$ toggles the comparator output to the appropriate digital 1 or 0. The small resistance values for the switch, S1, and small value of the sampling capacitor combine to produce the wide analog input bandwidth of the TLV5510. The source impedance driving the analog input of the TLV5510 should be less than 100 Ω across the range of input frequency spectrum.

reference inputs – REFB, REFT, REFBS, REFTS

The range of analog inputs that can be converted are determined by REFB and REFT, REFT being the maximum reference voltage and REFB being the minimum reference voltage. The TLV5510 is tested with REFT = 2.5 V or 2 V and REFB = 0.5 V or 0 V producing a 2-V full-scale range. The TLV5510 can operate with REFT – REFB = 2.4 V, but the power dissipation in the reference resistor increases significantly (49 mW at 3.3 V nominally). It is recommended that a 0.1 μ F capacitor be attached to REFB and REFT whether using externally or internally generated voltages.

PRINCIPLES OF OPERATION

internal reference voltage conversion

Three internal resistors allow the device to generate an internal reference voltage. These resistors are brought out on terminals V_{DDA} , REFTS, REFT, REFB, REFBS, and AGND. Two different bias voltages are possible without the use of external resistors.

The internal resistors are provided to develop REFT and REFB as listed in Table 1 (bias option 1) with only two external connections. This is developed with a 3-resistor network connected to V_{DDA} . When using this feature, connect REFT to REFTS and connect REFB to REFBS. For applications where the variance associated with V_{DDA} is acceptable, this internal voltage reference saves space and cost (see Figure 21).

A second internal bias option (bias two option) is shown in Figure 22. Using this scheme REFB = AGND and REFT is as shown in Table 1 (bias option 2). These bias voltage options can be used to provide the values listed in the following table.

Table 1. Bias Voltage Options for Different V_{DDA}

BIAS OPTION	V_{DDA}	BIAS VOLTAGE		
		V_{REFB}	V_{REFT}	$V_{REFT} - V_{REFB}$
1	2.7 V	0.54	2.34	1.8
	3 V	0.6	2.60	2
	3.3 V	0.66	2.86	2.2
	3.6 V	0.72	3.12	2.4
2	2.7 V	AGND	2.25	2.25
	3 V	AGND	2.5	2.5
	3.3 V	AGND	2.75	2.75
	3.6 V	AGND	3	3

To use the internally-generated reference voltage, terminal connections should be made as shown in Figure 21 or Figure 22.

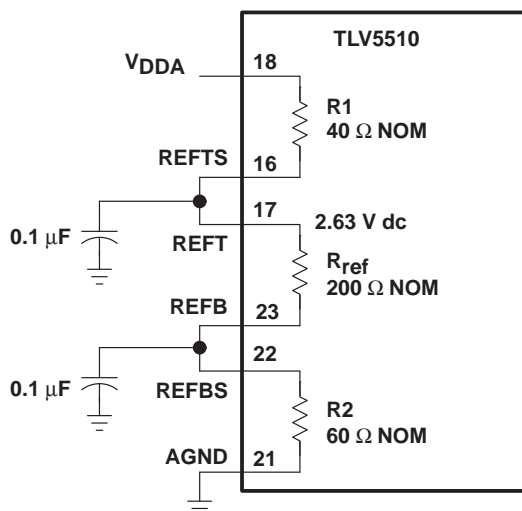


Figure 21. External Connections Using the Internal Bias One Option

TLV5510

2.7-V TO 3.6-V 8-BIT HIGH-SPEED ANALOG-TO-DIGITAL CONVERTER

SLAS124C– DECEMBER 1997 – REVISED DECEMBER 1999

PRINCIPLES OF OPERATION

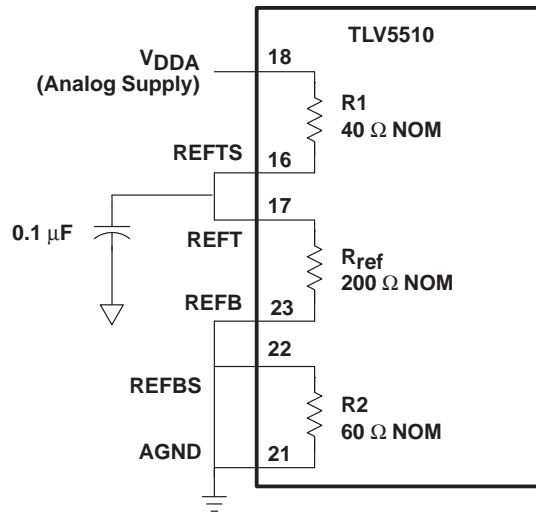


Figure 22. External Connections for Using the Internal Reference Resistor Divider

functional operation

The TLV5510 functions as shown in the Table 2.

Table 2. Functional Operation

INPUT SIGNAL VOLTAGE	STEP	DIGITAL OUTPUT CODE							
		MSB							LSB
REFT	255	1	1	1	1	1	1	1	1
•	•	•	•	•	•	•	•	•	•
•	•	•	•	•	•	•	•	•	•
•	128	1	0	0	0	0	0	0	0
•	127	0	1	1	1	1	1	1	1
•	•	•	•	•	•	•	•	•	•
•	•	•	•	•	•	•	•	•	•
REFB	0	0	0	0	0	0	0	0	0

TLV5510

2.7-V TO 3.6-V 8-BIT HIGH-SPEED ANALOG-TO-DIGITAL CONVERTER

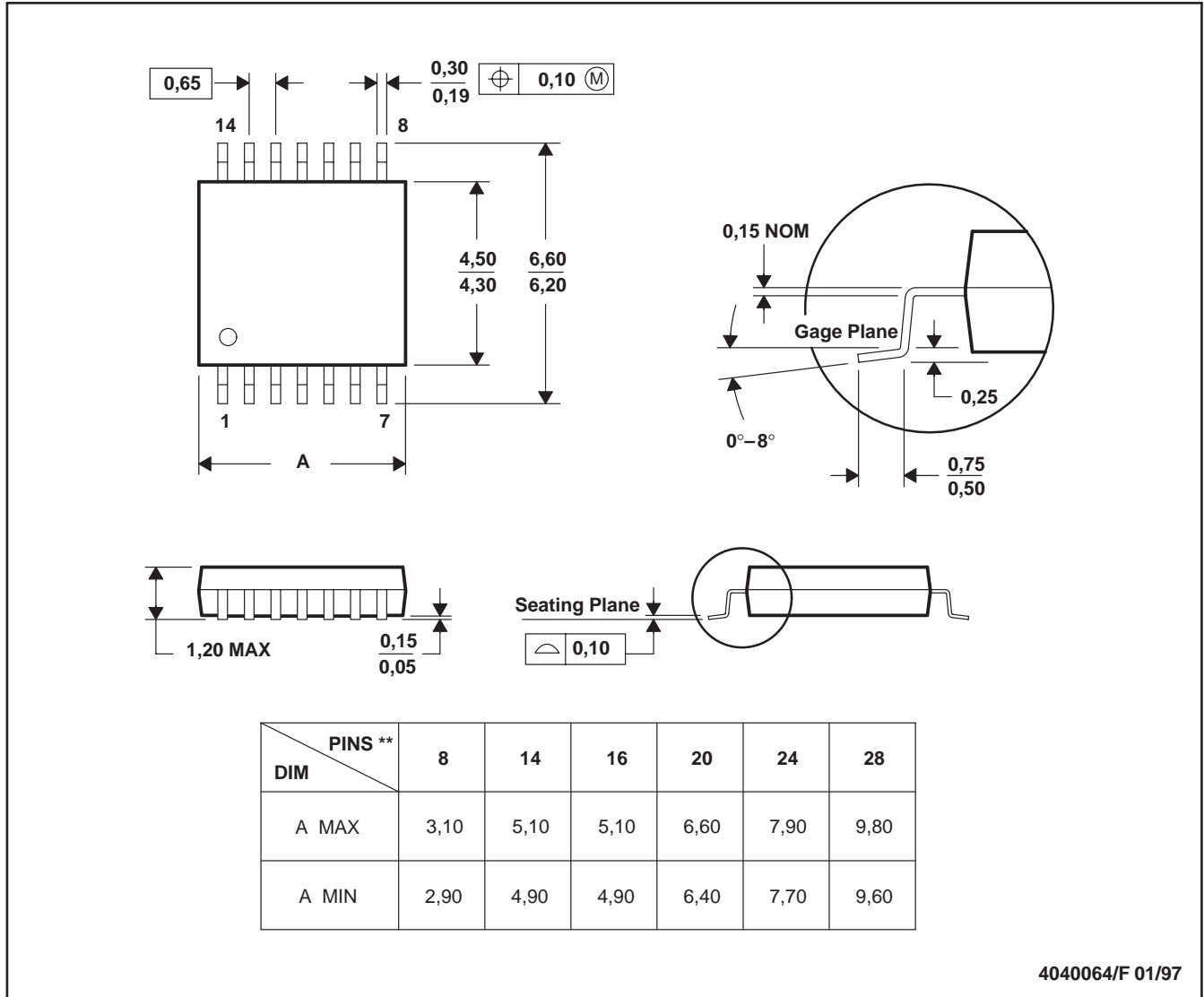
SLAS124C- DECEMBER 1997 - REVISED DECEMBER 1999

MECHANICAL DATA

PW (R-PDSO-G)**

PLASTIC SMALL-OUTLINE PACKAGE

14 PINS SHOWN



- NOTES: A. All linear dimensions are in millimeters.
 B. This drawing is subject to change without notice.
 C. Body dimensions do not include mold flash or protrusion not to exceed 0,15.
 D. Falls within JEDEC MO-153

TLV5510

2.7-V TO 3.6-V 8-BIT HIGH-SPEED ANALOG-TO-DIGITAL CONVERTER

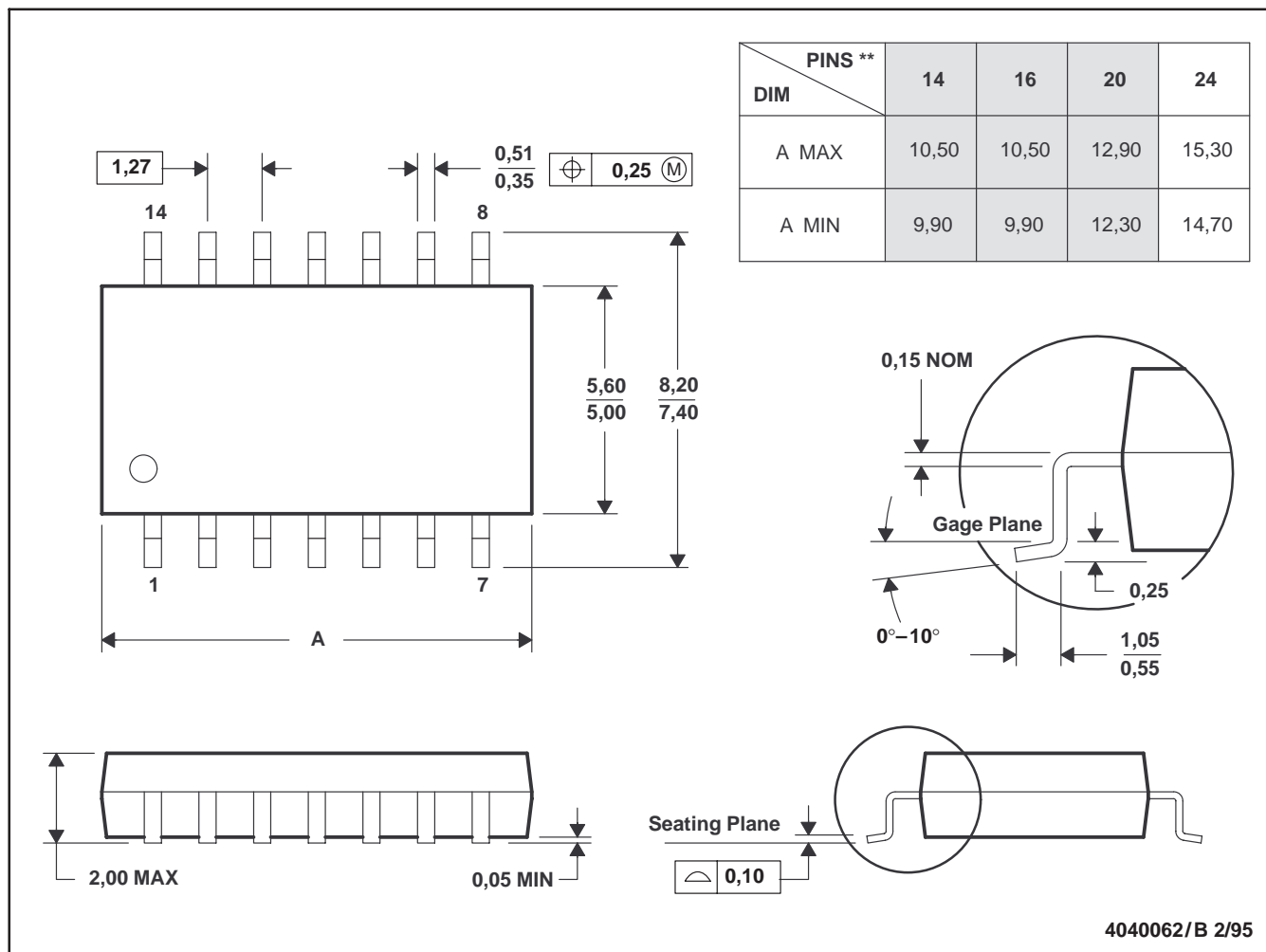
SLAS124C– DECEMBER 1997 – REVISED DECEMBER 1999

MECHANICAL DATA

NS (R-PDSO-G**)

PLASTIC SMALL-OUTLINE PACKAGE

14 PIN SHOWN



- NOTES: A. All linear dimensions are in millimeters.
 B. This drawing is subject to change without notice.
 C. Body dimensions do not include mold flash or protrusion, not to exceed 0,15.

PACKAGING INFORMATION

Orderable Device	Status ⁽¹⁾	Package Type	Package Drawing	Pins	Package Qty	Eco Plan ⁽²⁾	Lead/Ball Finish	MSL Peak Temp ⁽³⁾
TLV5510INSR	OBSOLETE	SO	NS	24		TBD	Call TI	Call TI
TLV5510IPW	OBSOLETE	TSSOP	PW	24		TBD	Call TI	Call TI
TLV5510IPWR	OBSOLETE	TSSOP	PW	24		TBD	Call TI	Call TI

⁽¹⁾ The marketing status values are defined as follows:

ACTIVE: Product device recommended for new designs.

LIFEBUY: TI has announced that the device will be discontinued, and a lifetime-buy period is in effect.

NRND: Not recommended for new designs. Device is in production to support existing customers, but TI does not recommend using this part in a new design.

PREVIEW: Device has been announced but is not in production. Samples may or may not be available.

OBSOLETE: TI has discontinued the production of the device.

⁽²⁾ Eco Plan - The planned eco-friendly classification: Pb-Free (RoHS) or Green (RoHS & no Sb/Br) - please check <http://www.ti.com/productcontent> for the latest availability information and additional product content details.

TBD: The Pb-Free/Green conversion plan has not been defined.

Pb-Free (RoHS): TI's terms "Lead-Free" or "Pb-Free" mean semiconductor products that are compatible with the current RoHS requirements for all 6 substances, including the requirement that lead not exceed 0.1% by weight in homogeneous materials. Where designed to be soldered at high temperatures, TI Pb-Free products are suitable for use in specified lead-free processes.

Green (RoHS & no Sb/Br): TI defines "Green" to mean Pb-Free (RoHS compatible), and free of Bromine (Br) and Antimony (Sb) based flame retardants (Br or Sb do not exceed 0.1% by weight in homogeneous material)

⁽³⁾ MSL, Peak Temp. -- The Moisture Sensitivity Level rating according to the JEDEC industry standard classifications, and peak solder temperature.

Important Information and Disclaimer:The information provided on this page represents TI's knowledge and belief as of the date that it is provided. TI bases its knowledge and belief on information provided by third parties, and makes no representation or warranty as to the accuracy of such information. Efforts are underway to better integrate information from third parties. TI has taken and continues to take reasonable steps to provide representative and accurate information but may not have conducted destructive testing or chemical analysis on incoming materials and chemicals. TI and TI suppliers consider certain information to be proprietary, and thus CAS numbers and other limited information may not be available for release.

In no event shall TI's liability arising out of such information exceed the total purchase price of the TI part(s) at issue in this document sold by TI to Customer on an annual basis.

IMPORTANT NOTICE

Texas Instruments Incorporated and its subsidiaries (TI) reserve the right to make corrections, modifications, enhancements, improvements, and other changes to its products and services at any time and to discontinue any product or service without notice. Customers should obtain the latest relevant information before placing orders and should verify that such information is current and complete. All products are sold subject to TI's terms and conditions of sale supplied at the time of order acknowledgment.

TI warrants performance of its hardware products to the specifications applicable at the time of sale in accordance with TI's standard warranty. Testing and other quality control techniques are used to the extent TI deems necessary to support this warranty. Except where mandated by government requirements, testing of all parameters of each product is not necessarily performed.

TI assumes no liability for applications assistance or customer product design. Customers are responsible for their products and applications using TI components. To minimize the risks associated with customer products and applications, customers should provide adequate design and operating safeguards.

TI does not warrant or represent that any license, either express or implied, is granted under any TI patent right, copyright, mask work right, or other TI intellectual property right relating to any combination, machine, or process in which TI products or services are used. Information published by TI regarding third-party products or services does not constitute a license from TI to use such products or services or a warranty or endorsement thereof. Use of such information may require a license from a third party under the patents or other intellectual property of the third party, or a license from TI under the patents or other intellectual property of TI.

Reproduction of information in TI data books or data sheets is permissible only if reproduction is without alteration and is accompanied by all associated warranties, conditions, limitations, and notices. Reproduction of this information with alteration is an unfair and deceptive business practice. TI is not responsible or liable for such altered documentation.

Resale of TI products or services with statements different from or beyond the parameters stated by TI for that product or service voids all express and any implied warranties for the associated TI product or service and is an unfair and deceptive business practice. TI is not responsible or liable for any such statements.

Following are URLs where you can obtain information on other Texas Instruments products and application solutions:

Products		Applications	
Amplifiers	amplifier.ti.com	Audio	www.ti.com/audio
Data Converters	dataconverter.ti.com	Automotive	www.ti.com/automotive
DSP	dsp.ti.com	Broadband	www.ti.com/broadband
Interface	interface.ti.com	Digital Control	www.ti.com/digitalcontrol
Logic	logic.ti.com	Military	www.ti.com/military
Power Mgmt	power.ti.com	Optical Networking	www.ti.com/opticalnetwork
Microcontrollers	microcontroller.ti.com	Security	www.ti.com/security
		Telephony	www.ti.com/telephony
		Video & Imaging	www.ti.com/video
		Wireless	www.ti.com/wireless

Mailing Address: Texas Instruments
Post Office Box 655303 Dallas, Texas 75265