

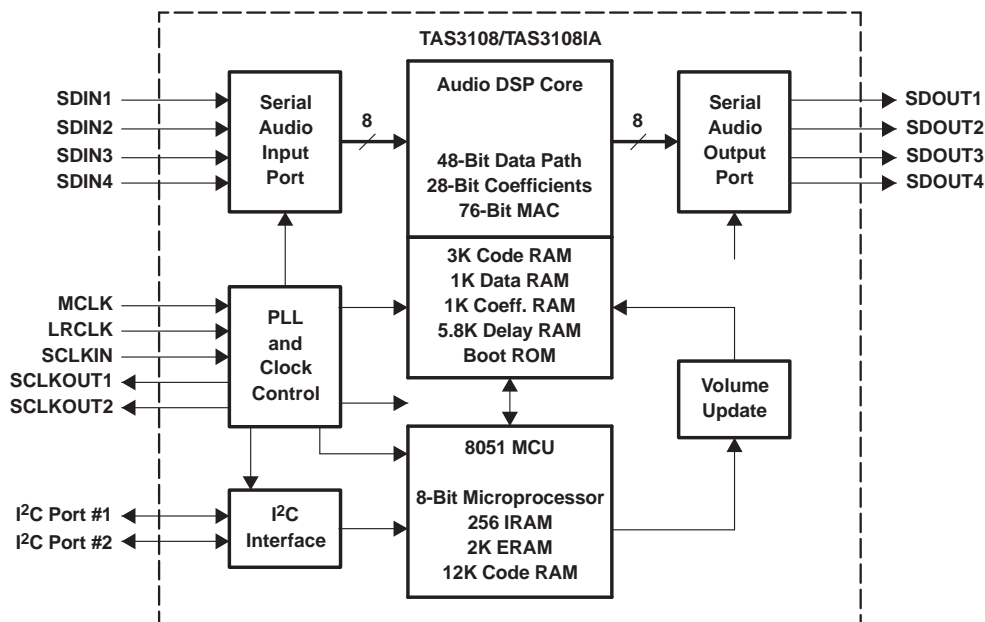
1 Introduction

1.1 Features

- 8 channel Programmable Audio Digital Signal Processor (DSP)
- 135-MHz Maximum Speed, >2800 Processing Cycles Per Sample at 48 kHz
- Sample Rates of 32 kHz to 192 kHz
- 48-Bit Data Path and 28-Bit Coefficients
- Single-Cycle, 76-Bit Multiply Accumulate
- Five Simultaneous Operations Per Clock Cycle
- 1022 Words of 48-Bit Data Memory
- 1022 Words of 28-Bit Coefficient Memory
- 3K Words of 54-Bit Program RAM
- 5.88K Words of 24-Bit Delay Memory (122.5 ms at 48 kHz)
- 15 Stereo/TDM Data Formats
- Independent Input/Output Data Formats
- 16-, 20-, 24-, and 32-Bit Word Sizes
- 64-f_S, 128-f_S, 192-f_S, and 256-f_S SCLK to Support Discrete 4 channel TDM, 6 channel TDM, and 8 channel TDM Data-Transfer Formats
- Two I²C Ports for Slave or Master Download
- Soft Volume Controller
- Dither Generator
- Efficient log²/2^x Estimator
- Single 3.3-V Power Supply
- 38-Pin Thin Shrink Small-Outline Package (TSSOP) (DCP)
- AEC-Q100 (Grade 2: –40°C to 105°C) Compliant for Automotive Applications (TAS3108IA)

1.2 Applications

- Automotive Sound Systems
- Digital Televisions
- Home Theater Systems
- Mini-Component Audio



B0074-01



Please be aware that an important notice concerning availability, standard warranty, and use in critical applications of Texas Instruments semiconductor products and disclaimers thereto appears at the end of this document.

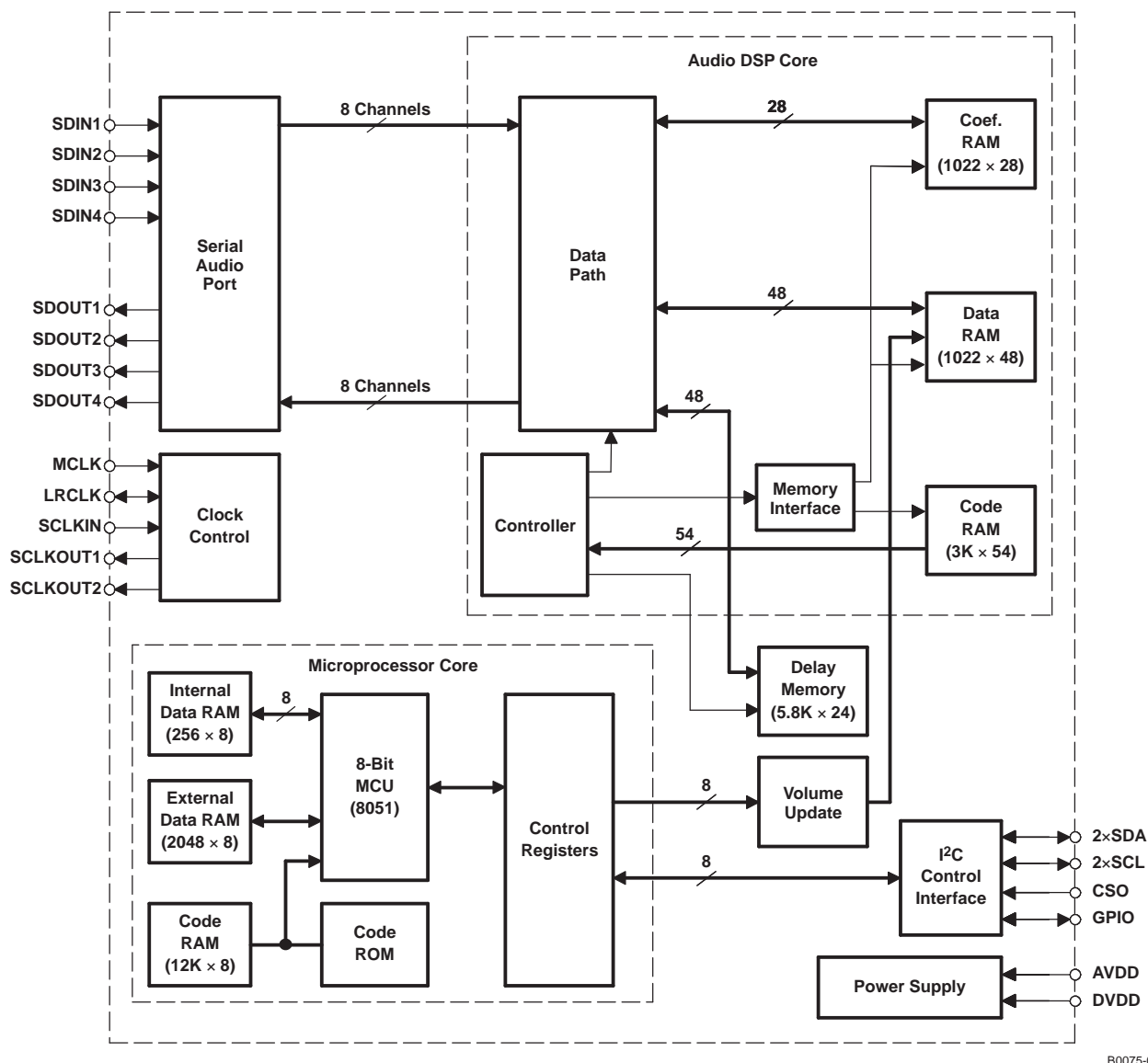
Contents

1	Introduction	1	7	I²C Register Map	37
1.1	Features	1	7.1	Clock Control Register (0x00)	38
1.2	Applications	1	7.2	Status Register (0x02)	41
2	Functional Description	3	7.3	I ² C Memory Load Control and Data Registers (0x04 and 0x05)	42
2.1	Device Description	3	7.4	Memory Access Registers (0x06 and 0x07)	43
2.2	Power Supply	4	8	Electrical Specifications	44
2.3	Clock Control	4	8.1	Absolute Maximum Ratings Over Operating Temperature Range (unless otherwise noted)	44
2.4	Serial Audio Ports (SAPs)	4	8.2	Package Dissipation Ratings (TAS3108/TAS3108IA)	44
2.5	M8051Warp Microprocessor	4	8.3	Recommended Operating Conditions (TAS3108/TAS3108IA)	44
2.6	I ² C Control Interface	4	8.4	Electrical Characteristics (TAS3108/TAS3108IA) ...	45
2.7	Audio DSP Core	5	8.5	Timing Characteristics	46
3	Physical Characteristics	6	8.5.1	Master Clock Signals (TAS3108/TAS3108IA)	46
3.1	Terminal Assignments	6	8.5.2	Serial Audio Port Slave Mode Signals (TAS3108/TAS3108IA)	47
3.2	Terminal Descriptions	7	8.5.3	Serial Audio Port Master Mode Signals (TAS3108/TAS3108IA)	48
3.3	Reset ($\overline{\text{RESET}}$)	7	8.5.4	Pin-Related Characteristics of the SDA and SCL I/O Stages for F/S-Mode I ² C-Bus Devices	49
3.4	Power-On Reset ($\overline{\text{RESET}}$)	8	8.5.6	Reset Timing (TAS3108/TAS3108IA)	51
3.5	Power Down ($\overline{\text{PDN}}$)	8	9	Application Information	53
3.6	I ² C Bus Control (CS0)	8	9.1	Schematics	53
3.7	Programmable General Purpose I/O (GPIO)	8	9.2	Recommended Oscillator Circuit	55
3.8	Input and Output Serial Audio Ports	9	9.3	Recommended PCB Design for TAS3108IA Applications	55
4	Algorithm and Software Development Tools for TAS3108/TAS3108IA	18			
5	Clock Controls	19			
6	Microprocessor Controller	27			
6.1	General I ² C Operations	28			
6.2	Detailed I ² C Operation	29			
6.3	I ² C Master-Mode Device Initialization	31			

2 Functional Description

2.1 Device Description

The TAS3108 and TAS3108IA are fully programmable high-performance audio processors. The devices use an efficient, custom, multi-instruction programming environment optimized for digital audio processing algorithms. The TAS3108/TAS3108IA architecture provides high-quality audio processing by using a 48-bit data path, 28-bit filter coefficients, and a single-cycle 28×48 -bit multiplier with a 76-bit accumulator. An embedded 8051 microprocessor provides algorithm and data control for the TAS3108/TAS3108IA. The TAS3108 is the commercial version intended for home audio and other commercial applications. The TAS3108IA is the automotive version that is qualified for use in automotive applications.



B0075-01

Figure 2-1. Expanded TAS3108/TAS3108IA Functional Block Diagram

2.2 Power Supply

The power supply contains supply regulators that provide analog and digital regulated power for various sections of the TAS3108/TAS3108IA. Only one external 3.3-V supply is required. All other voltages are generated on-chip from the external 3.3-V supply.

2.3 Clock Control

The TAS3108/TAS3108IA can be an audio data clock-master or clock-slave device. In clock-master mode, it generates MCLK, SCLK, and LRCLK. In clock-slave mode, it accepts MCLK, SCLK, and LRCLK. It can generate or accept master clocks from 6 MHz to 24.576 MHz. Master or slave operation is set via I²C register 0x00. The TAS3108/TAS3108IA can use a 6-MHz to 20-MHz crystal or a 6-MHz to 24.576-MHz, 3.3-V MCLKI digital input as the master clock in either clock-master or clock-slave mode. In clock-slave mode, the master clock frequency does not need to be an integer multiple of the sample rate.

The TAS3108/TAS3108IA does not support clock error detection. If a clock error occurs, the TAS3108/TAS3108IA does not prevent invalid data or clocks from being output. This means that the application system must be designed to handle clock errors.

2.4 Serial Audio Ports (SAPs)

Serial audio data is input via pins SDIN1, SDIN2, SDIN3, and SDIN4. Serial audio data is output on pins SDOUT1, SDOUT2, SDOUT3, and SDOUT4. The TAS3108/TAS3108IA accepts 32-, 44.1-, 48-, 88.2-, 96-, 176.4-, or 192-kHz serial data as 16-, 20-, 24-, or 32-bit data in left justified, right justified, or I²S serial data formats. All four ports accommodate these three 2 channel data formats.

In addition to supporting the 2 channel formats, SDIN1 and SDOUT1 also provide support for time-division multiplex (TDM) data formats of 4, 6, or 8 channels. The data formats are selectable via I²C register 0x00. All input channels must use the same data format. All output channels must use the same data format. However, the input and output formats can be different.

2.5 M8051Warp Microprocessor

The M8051Warp (8051) microprocessor controls I²C reads and writes and participates in some audio processing tasks requiring multiframe (f_s period) processing cycles. The 8051 processor performs some control calculations and exchanges data between the audio DSP core and the I²C interface. It also provides mode control for the SAP interface and clock control. The microcode can program the GPIO pin for post-boot-up operation to be an input or an output. For more information, see the *TAS3108/TAS3108IA Firmware Programmer's Guide* ([SLEU067](#)).

2.6 I²C Control Interface

The TAS3108/TAS3108IA has an I²C slave-only interface (SDA1 and SCL1) for receiving commands and providing status to the system controller, and a separate master I²C interface (SDA2 and SCL2) to download programs and data from external memory such as an EEPROM. See [Section 6](#) for more information.

2.7 Audio DSP Core

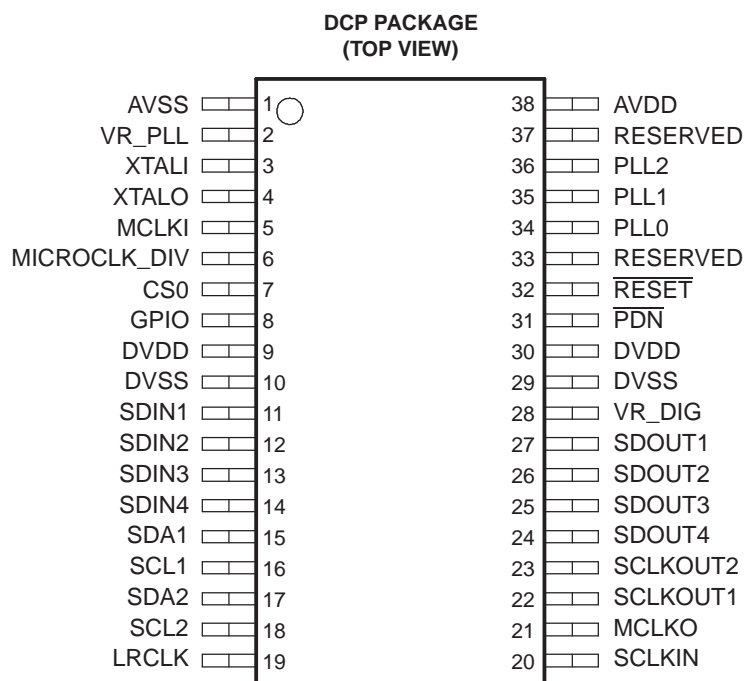
The audio DSP core arithmetic unit is a fixed-point computational engine consisting of an arithmetic unit and data and coefficient memory blocks. The primary features of the audio DSP core are:

- 48-bit data path with 76-bit accumulator
- Hardware multiplier (28 bit × 48bit)
- Read/write single-cycle memory access
- Input is 48-bit 2s-complement data multiplexed in from the SAP immediately following an LRCLK pulse.
- Output is 32-bit 2s-complement data on four buses.
- Separate control for writing to delay memory
- Separate coefficient memory (28 bit) and data memory (48 bit)
- Linear feedback shift register (LFSR) is a random-number generator that can be used to dither the audio.
- Coefficient RAM, data RAM, LFSR seed, program counter, and memory pointers are all mapped into the same 5.88K memory space for convenient addressing by the microprocessor.
- Memory interface block contains four pointers – two for data memory and two for coefficient memory.

The audio DSP core is used to implement all audio processing functions.

3 Physical Characteristics

3.1 Terminal Assignments



P0033-01

3.2 Terminal Descriptions

TERMINAL		INPUT/ OUTPUT ⁽¹⁾	PULLUP/ PULLDOWN ⁽²⁾	DESCRIPTION
NAME	NO.			
AVDD	38	I		Analog power supply (3.3 V)
AVSS	1			Analog ground
CS0	7	I	Pulldown	Chip select
DVDD	9, 30	I		Digital power supply input (3.3 V)
DVSS	10, 29			Digital ground
GPIO	8	I/O	Pullup	GPIO control (user programmable)
LRCLK	19	I/O	Pulldown	Sample rate clock (f _s)
MCLKIN	5	I		Master clock input (connect to ground when not in use)
MCLKO	21	O		Master clock output
MICROCLK_DIV	6	I	Pulldown	Internal microprocessor clock divide control
$\overline{\text{P}}\overline{\text{D}}\overline{\text{N}}$	31	I	Pullup	Power down. Powers down all logic and stops all clocks, active low. Coefficient memory remains stable through the power-down cycle.
PLL0	34	I	Pullup	PLL control 0
PLL1	35	I	Pulldown	PLL control 1
PLL2	36	I	Pullup	PLL control 2
RESERVED	33, 37			Reserved. Connect to ground
$\overline{\text{R}}\overline{\text{E}}\overline{\text{S}}\overline{\text{E}}\overline{\text{T}}$	32	I	Pullup	Reset, active low
SCL1	16	I/O		I ² C port 1 clock (always a slave)
SCL2	18	I/O		I ² C port 2 clock (always a master)
SCLKIN	20	I	Pulldown	Bit clock input
SCLKOUT1	22	O		Bit clock 1 out. Used to receive input serial data.
SCLKOUT2	23	O		Bit clock 2 out. Used to clock output serial data.
SDA1	15	I/O		I ² C port 1 data (always a slave)
SDA2	17	I/O		I ² C port 2 data (always a master)
SDIN1	11	I	Pulldown	Serial data input 1
SDIN2	12	I	Pulldown	Serial data input 2
SDIN3	13	I	Pulldown	Serial data input 3
SDIN4	14	I	Pulldown	Serial data input 4
SDOUT1	27	O		Serial data output 1
SDOUT2	26	O		Serial data output 2
SDOUT3	25	O		Serial data output 3
SDOUT4	24	O		Serial data output 4
VR_PLL	2			Internal regulator. This pin must not be used to power external devices.
XTALI	3	O		Oscillator input (connect to ground when not in use)
XTALO	4	O		Oscillator output
VR_DIG	28			Internal regulator. This pin must not be used to power external devices.

(1) I = input, O = output

(2) All pullups are 20- μ A weak pullups, and all pulldowns are 20- μ A weak pulldowns. The pullups and pulldowns are included to ensure proper input logic levels if the terminals are left unconnected (pullups \rightarrow logic 1 input; pulldowns \rightarrow logic 0 input). Devices that drive inputs with pullups must be able to sink 20 μ A while maintaining a logic-0 drive level. Devices that drive inputs with pulldowns must be able to source 20 μ A while maintaining a logic-1 drive level.

3.3 Reset ($\overline{\text{R}}\overline{\text{E}}\overline{\text{S}}\overline{\text{E}}\overline{\text{T}}$)

The $\overline{\text{R}}\overline{\text{E}}\overline{\text{S}}\overline{\text{E}}\overline{\text{T}}$ pin is an asynchronous control signal that restores all TAS3108/TAS3108IA components to the default configuration. When a reset occurs, the audio DSP core is put into an idle state and the 8051 starts initialization. A valid MCLKI or XTALI must be present when clearing the $\overline{\text{R}}\overline{\text{E}}\overline{\text{S}}\overline{\text{E}}\overline{\text{T}}$ pin to initiate a device reset. A reset can be initiated by applying a logic 0 on $\overline{\text{R}}\overline{\text{E}}\overline{\text{S}}\overline{\text{E}}\overline{\text{T}}$. A reset can also be issued at power turnon by the three internal power supplies.

As long as $\overline{\text{RESET}}$ is held LOW, the device is in the reset state. During reset, all I²C and serial data bus operations are ignored. The I²C interface SCL and SDA lines go into a high-impedance state and remain in that state until device initialization has completed.

The rising edge of the reset pulse begins the initialization housekeeping functions of clearing memory and setting the default register values. Once these are complete, the TAS3108/TAS3108IA enables its master I²C interface and disables its slave I²C interface.

Then the TAS3108/TAS3108IA looks for an EEPROM as described in [Section 2.6](#), *I²C Control Interface*.

3.4 Power-On Reset ($\overline{\text{RESET}}$)

On power up, it is recommended that the TAS3108/TAS3108IA $\overline{\text{RESET}}$ be held LOW until DVDD has reached 3.3 V. This can be done by programming the system controller or by using an external RC delay circuit. The 1-k Ω and 1- μ F values provide a delay of approximately 200 μ s. The values of R and C can be adjusted to provide other delay values as necessary.

3.5 Power Down ($\overline{\text{PDN}}$)

$\overline{\text{PDN}}$ is a user-firmware-definable pin that is programmed in the default TAS3108 and TAS3108IA configuration to stop all clocks in the TAS3108/TAS3108IA, while preserving the state of the device. For more information, see *TAS3108/TAS3108IA Firmware Programmer's Guide* ([SLEU067](#)).

3.6 I²C Bus Control (CS0)

The TAS3108/TAS3108IA has a control to specify the slave and master I²C address. This control permits up to two TAS3108/TAS3108IA devices to be placed in a system without external logic.

See [Section 6.2](#) for a complete description of this pin.

3.7 Programmable General Purpose I/O (GPIO)

The TAS3108/TAS3108IA has one GPIO pin that is 8051 firmware programmable.

On power up or following a reset, the GPIO pin becomes an input. Afterwards, the microprocessor can program the GPIO as an input or an output.

For more information, see *TAS3108/TAS3108IA Firmware Programmer's Guide* ([SLEU067](#)).

3.7.1 No EEPROM is Present or a Memory Error Occurs

Following reset or power-up initialization with the EEPROM not present or if a memory error occurs, the TAS3108/TAS3108IA is in one of two modes, depending on the setting of the GPIO pin.

- GPIO pin is logic HIGH (through a 20-k Ω resistor)

With the GPIO pin held HIGH during initialization, the TAS3108/TAS3108IA comes up in the default configuration with the serial data outputs not active. Once the TAS3108/TAS3108IA has completed the default initialization procedure and after the status register is updated and the I²C slave interface is enabled, the GPIO pin is an output and is driven LOW. Following the HIGH-to-LOW transition of the GPIO pin, the system controller can access the TAS3108/TAS3108IA through the I²C interface and read the status register to determine the load status.

If a memory-read error occurs, the TAS3108/TAS3108IA reports the error in the status register (I²C subaddress 0x02).
- GPIO pin is logic LOW (through a 20-k Ω resistor)

With GPIO pin held LOW during initialization, the TAS3108/TAS3108IA comes up in an I/O test configuration. In this case, once the TAS3108/TAS3108IA completes its default test initialization procedure, the status register is updated, the I²C slave interface is enabled, and the TAS3108/TAS3108IA streams audio unaltered from input to output as SDIN1 to SDOUT1, SDIN2 to SDOUT2, etc.

In this configuration, the GPIO pin is an output signal that is driven LOW. If the external logic is no

longer driving the GPIO pin low after the load has completed (~100 ms following a reset if no EEPROM is present), the state of the GPIO pin can be observed.

Then the system controller can access the TAS3108/TAS3108IA through the I²C interface and read the status register to determine the load status.

If the GPIO pin state is not observed, the only indication that the device has completed its initialization procedure is that the TAS3108/TAS3108IA streams audio and the I²C slave interface has been enabled.

3.7.2 GPIO Pin Function After Device Is Programmed

Once the TAS3108/TAS3108IA has been programmed, either through a successful boot load or via slave I²C download, the operation of GPIO can be programmed to be an input and/or output.

3.8 Input and Output Serial Audio Ports

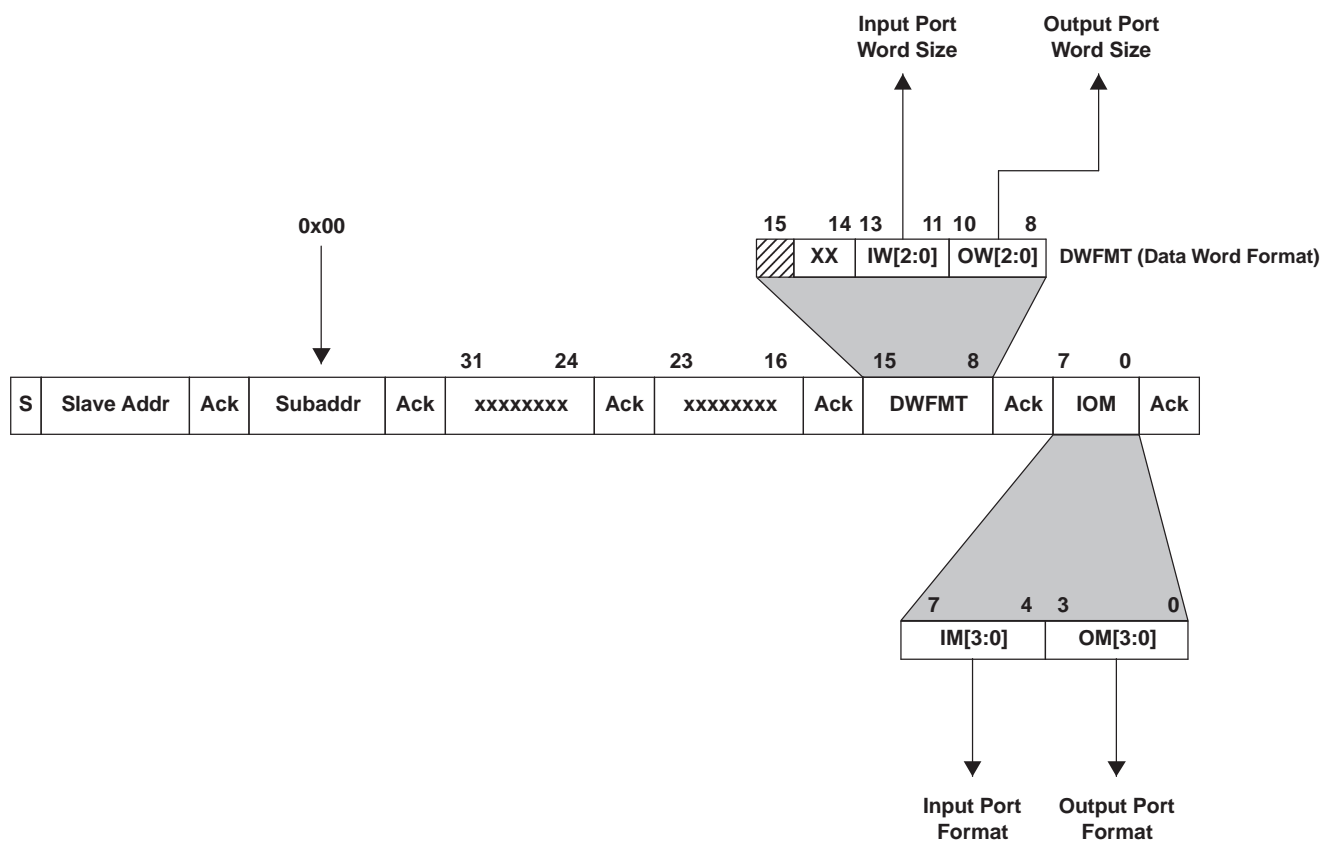
The TAS3108/TAS3108IA supports system architectures that require data format conversions between TDM and non-TDM of the same format type without the need for additional glue logic. In addition, the TAS3108/TAS3108IA supports data format conversions between right justified and I²S and between left justified and I²S. All the supported conversions are listed in [Table 3-1](#). If the input port is configured for a TDM format, only SDIN1 is active. If a TDM format is selected for the output port, only SDOUT1 is active.

Table 3-1. Supported Conversions

INPUT SAP (SDIN1, SDIN2, SDIN3, SDIN4)	OUTPUT SAP (SDOUT1, SDOUT2, SDOUT3, SDOUT4)
2 channel left justified	TDM left justified
2 channel left justified	2 channel I ² S
TDM left justified	2 channel left justified
2 channel I ² S	TDM I ² S
TDM I ² S	2 channel I ² S
2 channel I ² S	2 channel leftjustified
2 channel I ² S	2 channel right justified
2 channel right justified	2 channel I ² S

Table 3-2. Serial Data Input and Output Formats

MODE	INPUT CONTROL IM[3:0]	OUTPUT CONTROL OM[3:0]	SERIAL FORMAT	WORD LENGTHS	DATA RATES (kHz)	MAX SCLK
2 channel	0000	0000	Left justified	16, 20, 24, 32	32–192	12.288
	0001	0001	Right justified	16, 20, 24, 32		
	0010	0010	I ² S	16, 20, 24		
Time-division multiplexed (4, 6, or 8 channel)	0011	0011	8 channel left justified	16, 20, 24, 32	32–96 MCLK 32–48 crystal	24.576 MCLK 12.288 crystal
	0110	0110	8 channel I ² S	16, 20, 24		
	0100	0100	6 channel left justified	16, 20, 24, 32	32–96	18.432
	0111	0111	6 channel I ² S	16, 20, 24		
	0101	0101	4 channel left justified	16, 20, 24, 32	32–192 MCLK 32–96 crystal	24.576 MCLK 12.288 crystal
	1000	1000	4 channel I ² S	16, 20, 24		



R0003-01

Figure 3-1. Serial Data Controls

Table 3-3. Serial Data Input and Output Data Word Sizes

IW1, OW1	IW0, OW0	FORMAT
0	0	32-bit data
0	1	16-bit data
1	0	20-bit data
1	1	24-bit data

Following a reset, ensure that the clock register (0x00) is written before performing volume, treble, or bass updates.

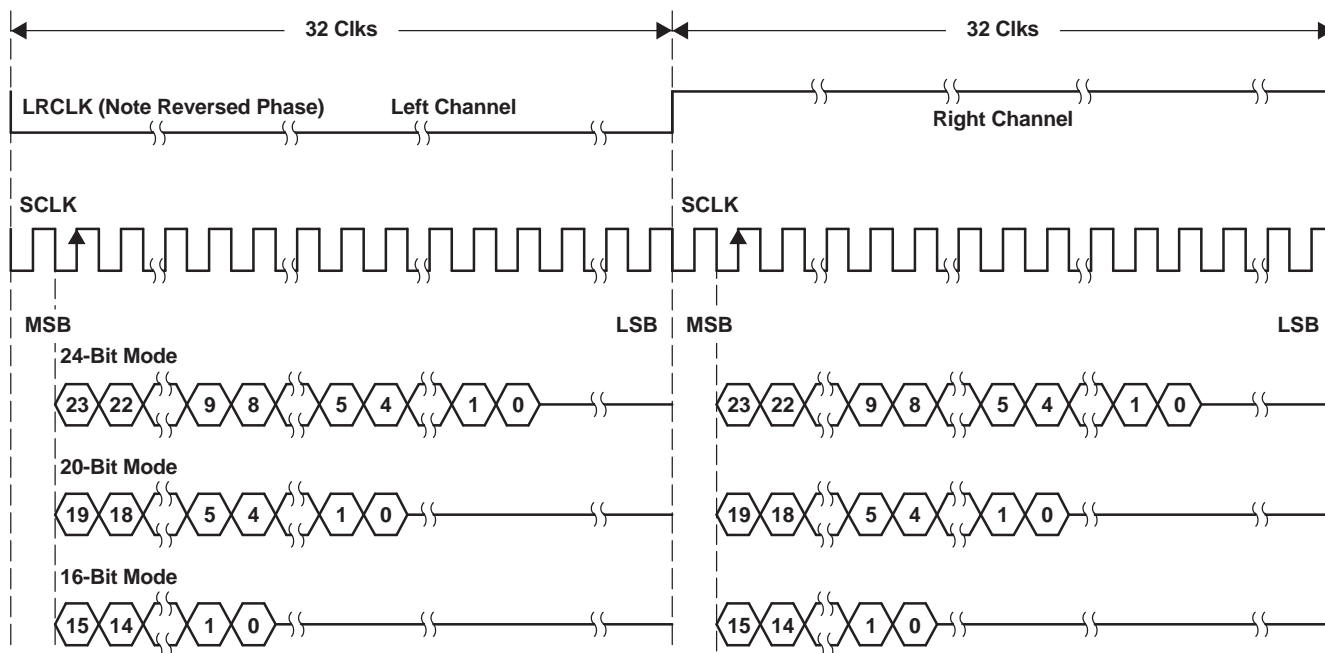
Commands to reconfigure the SAP can be accompanied by mute and unmute commands for quiet operation. However, care must be taken to ensure that the mute command has completed before the SAP is commanded to reconfigure. Similarly, the TAS3108/TAS3108IA should not be commanded to unmute until after the SAP has completed a reconfiguration. The reason for this is that an SAP configuration change while a volume or bass or treble update is taking place can cause the update not to be completed properly.

When the TAS3108/TAS3108IA is transmitting serial data, it uses the negative edge of SCLK to output a new data bit. The TAS3108/TAS3108IA samples incoming serial data on the rising edge of SCLK. The TAS3108/TAS3108IA only supports TDM, left justified, right justified, and I²S formats.

3.8.1 2 channel I²S Timing

In 2 channel I²S timing, LRCLK is LOW when left channel data is transmitted and HIGH when right channel data is transmitted. SCLK is a bit clock running at $64 \times f_s$, which clocks in each bit of the data. There is a delay of one bit clock from the time the LRCLK signal changes state to the first bit of data on the data lines. The data is written MSB first and is valid on the rising edge of the bit clock. The TAS3108/TAS3108IA masks unused trailing data-bit positions.

2-Channel I²S (Philips Format) Stereo Input/Output



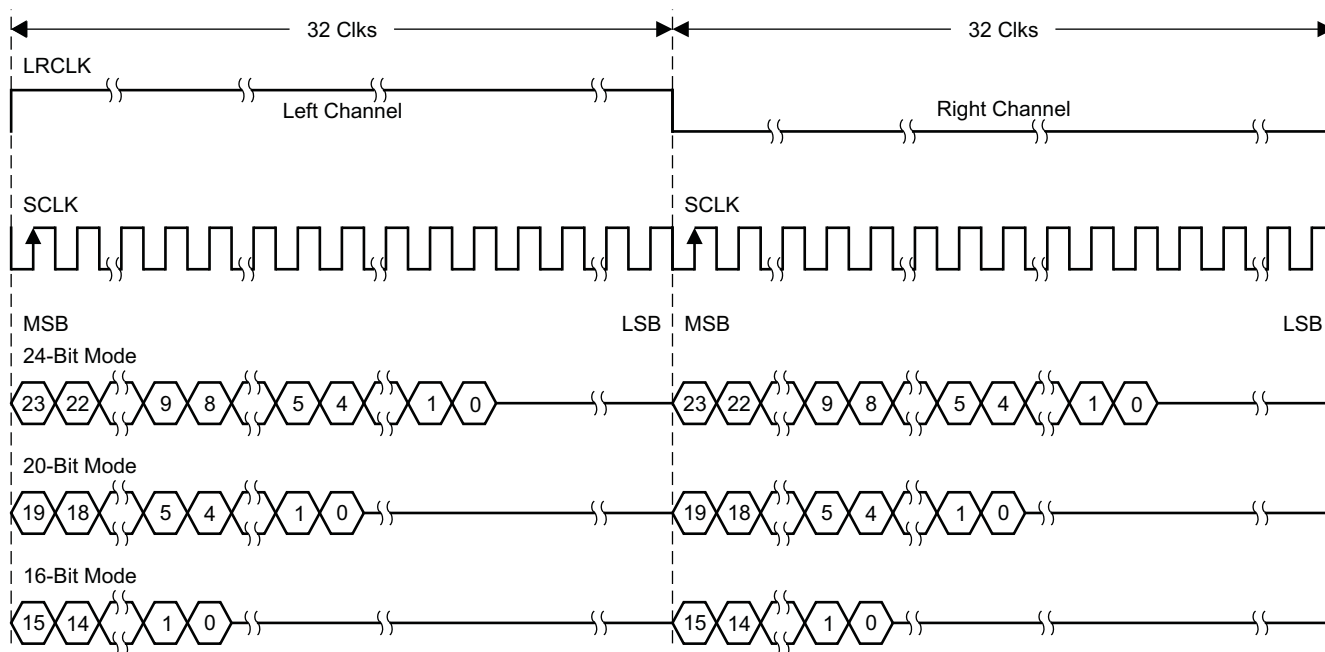
T0034-04

Figure 3-2. I²S 64- f_s Format

3.8.2 2 Channel Left Justified Timing

In 2 channel left justified timing, LRCLK is HIGH when left channel data is transmitted and LOW when right channel data is transmitted. SCLK is a bit clock running at $64 \times f_s$ which clocks in each bit of the data. The first bit of data appears on the data lines at the same time LRCLK toggles. The data is written MSB first and is valid on the rising edge of the bit clock. The TAS3108/TAS3108IA masks unused trailing data-bit positions.

2-Channel Left-Justified Stereo Input



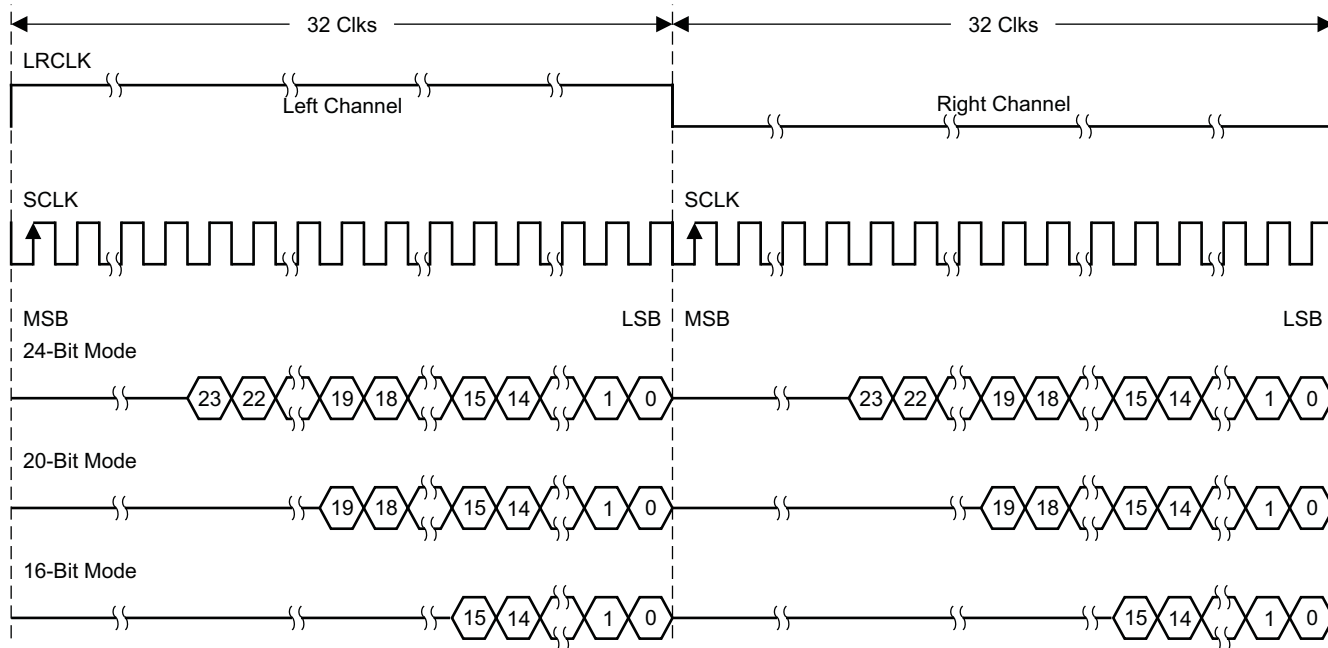
T0034-02

Figure 3-3. Left justified $64 \cdot f_s$ Format

3.8.3 2 Channel Right Justified Timing

In 2-channel right-justified timing, LRCLK is HIGH when left channel data is transmitted and LOW when right channel data is transmitted. SCLK is a bit clock running at $64 \times f_s$, which clocks in each bit of the data. The first bit of data appears on the data lines 8 bit-clock periods (for 24-bit data) after LRCLK toggles. In the right-justified mode, the last bit clock before LRCLK transitions always clocks the LSB of data. The data is written MSB first and is valid on the rising edge of the bit clock. The TAS3108/TAS3108IA masks unused leading data-bit positions.

2-Channel Right-Justified (Sony Format) Stereo Input

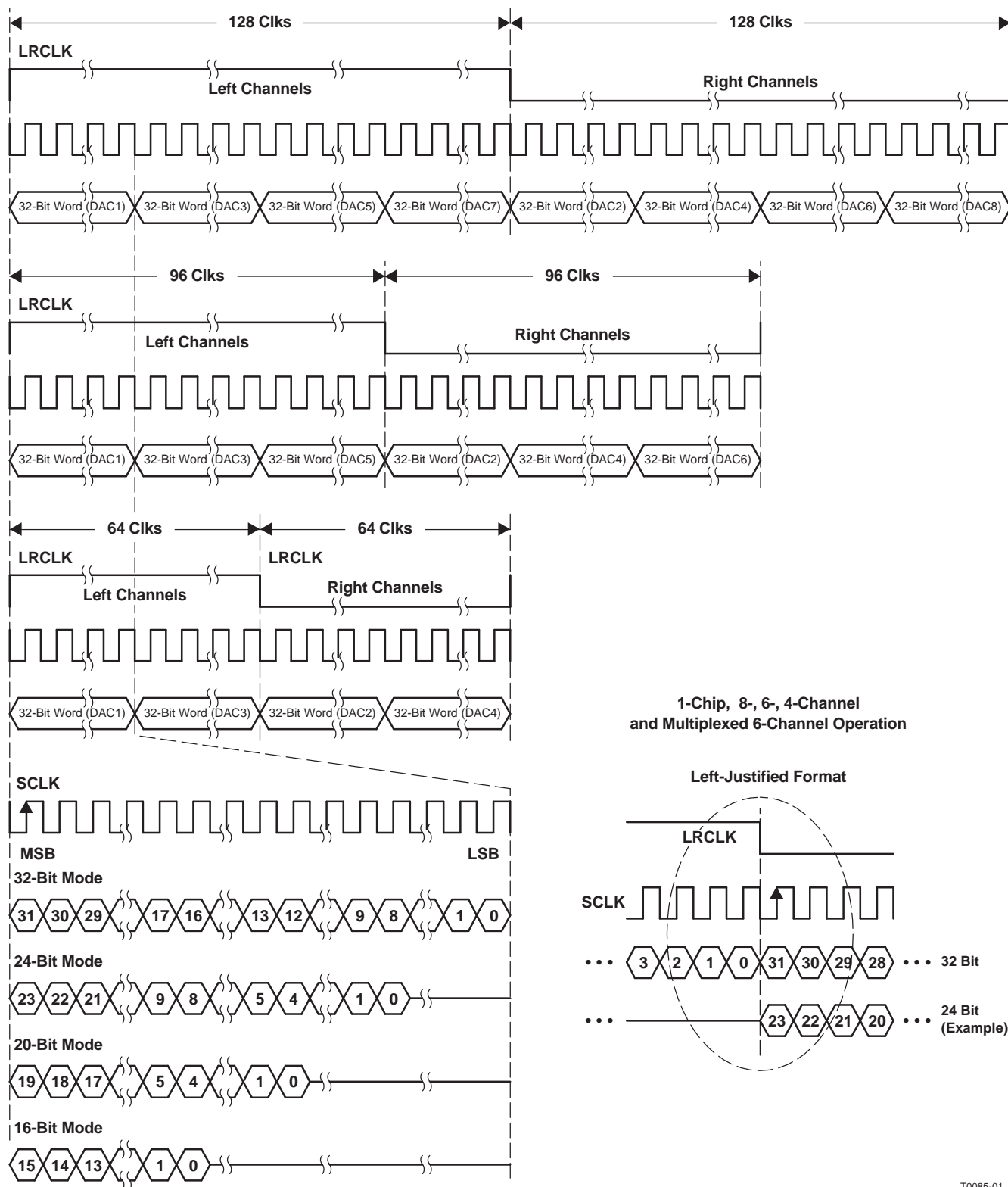


T0034-03

Figure 3-4. Right justified $64\text{-}f_s$ Format

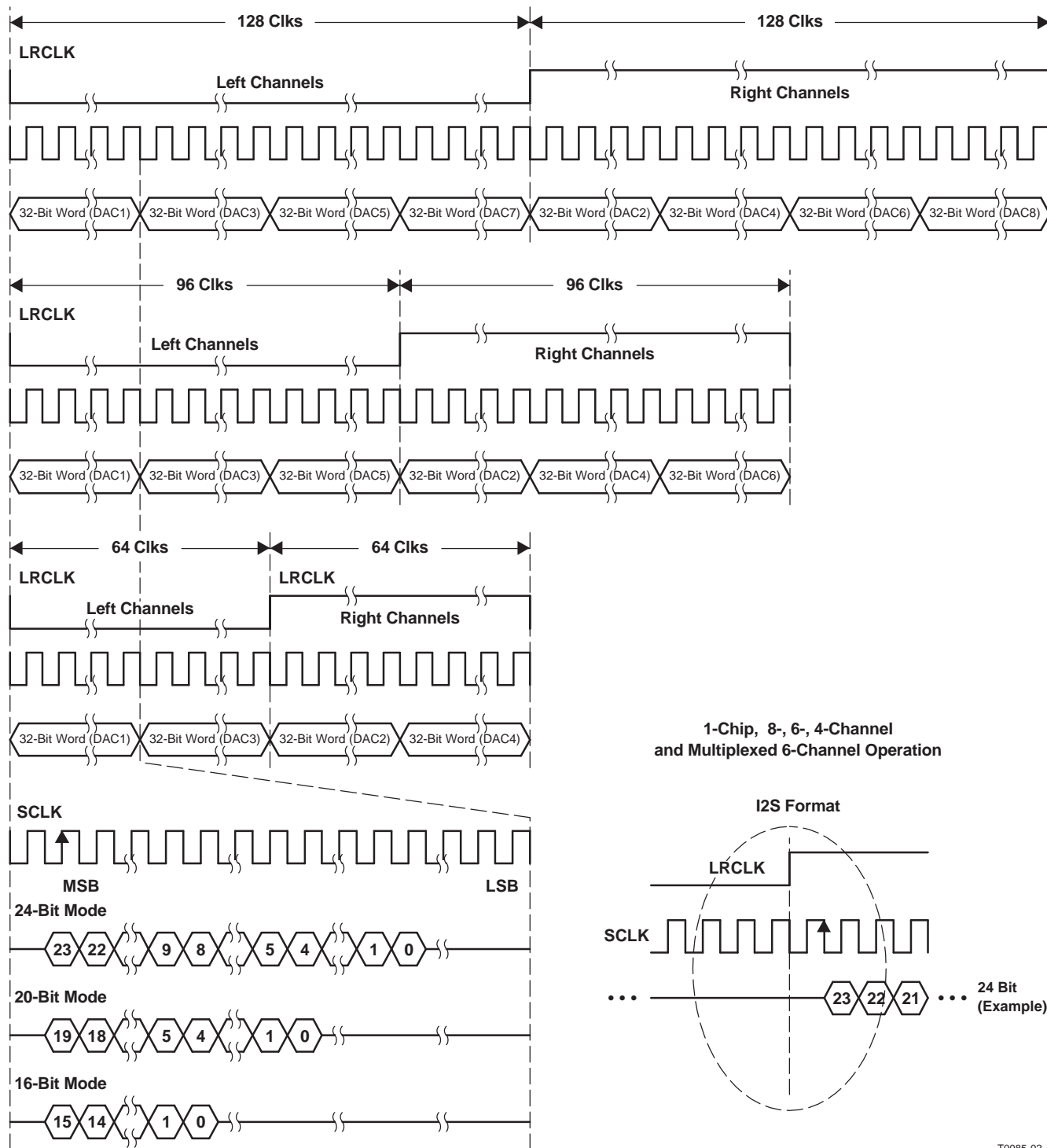
3.8.4 TDM Modes

The TDM modes on the TAS3108/TAS3108IA provide left justified and I²S formats. Each word in the TDM data stream adheres to the bit placement shown in Figure 3-5 and Figure 3-6. Two cases are illustrated—an I²S data format and a left-justified data format.



T0085-01

Figure 3-5. Left-Justified TDM Formats



T0085-02

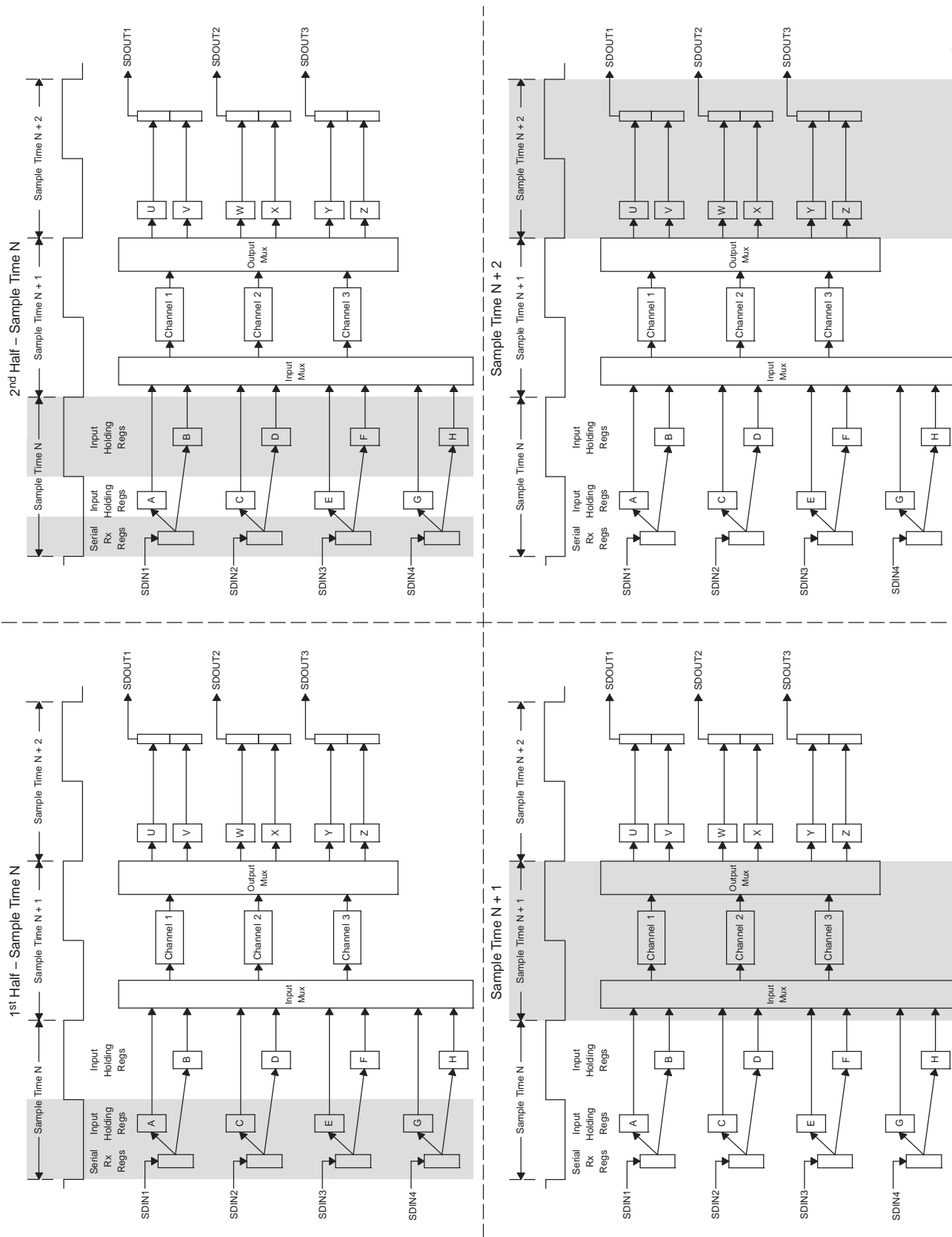
Figure 3-6. I²S TDM Formats

3.8.5 SAP Input to SAP Output—Processing Flow

All SAP data format options other than I²S result in a two-sample delay from input to output, as shown in [Figure 3-7](#). If I²S formatting is used for both the input SAP and the output SAP, the polarity of LRCLK in [Figure 3-7](#) must be inverted. However, if I²S format conversions are performed between input and output, the delay becomes either 1.5 samples or 2.5 samples, depending on the processing clock frequency selected for the audio DSP core relative to the sample rate of the incoming data.

The I²S format uses the falling edge of LRCLK to begin a sample period, whereas all other formats use the rising edge of LRCLK to begin a sample period. This means that the input SAP and audio DSP core operate on sample windows that are 180° out of phase, with respect to the sample window used by the output SAP. This phase difference results in the output SAP outputting a new data sample at the midpoint of the sample period used by the audio DSP core to process the data. If the processing cycle completes all processing tasks before the midpoint of the processing sample period, the output SAP outputs this processed data. However, if the processing time extends past the midpoint of the processing sample period, the output SAP outputs the data processed during the previous processing sample period. In the former case, the delay from input to output is 1.5 samples. In the latter case, the delay from input to output is 2.5 samples.

Therefore, delay from input to output can be either 1.5 or 2.5 sample times when data format conversions are performed that involve the I²S format. However, which delay time is obtained for a particular application is determinable and fixed for that application, providing care is taken in the selection of MCLKI/XTALI with respect to the incoming sample clock, LRCLK.



80076-01

Figure 3-7. SAP Input-to-Output Latency

4 Algorithm and Software Development Tools for TAS3108/TAS3108IA

The TAS3108/TAS3108IA algorithm and software development tool set is a combination of classical development tools and graphical development tools. The tool set is used to build, debug, and execute programs in both the audio DSP and 8051 sections of the TAS3108/TAS3108IA.

Classical development tooling includes text editors, compilers, assemblers, simulators, and source-level debuggers. The 8051 can be programmed exclusively in ANSI C.

The 8051 tool set is an off-the-shelf tool set, with modifications as specified in this document. The 8051 tool set is a complete environment with an IDE, editor, compiler, debugger, and simulator.

The audio DSP core is programmed exclusively in assembly. The audio DSP tool set is a complete environment with an IDE, context-sensitive editor, assembler, and simulator/debugger.

Graphical development tooling provides a means of programming the audio DSP core and 8051 through a graphical drag-and-drop interface using modular audio software components from a component library. The graphical tooling produces audio DSP assembly and 8051 ANSI C code, as well as coefficients and data. The classical tools can also be used to produce the executable code.

In addition to building applications, the tool set supports the debug and execution of audio DSP and 8051 code on both simulators and EVM hardware.

5 Clock Controls

Clock management for the TAS3108/TAS3108IA consists of two control structures:

- Master clock management
 - Oversees the selection of the clock frequencies for the 8051 microprocessor, the I²C controller, and the audio DSP core
 - The master clock (MCLKI or XTALI) is the source for these clocks.
 - In most applications, the master clock drives an on-chip digital phase-locked loop (DPLL), and the DPLL output drives the microprocessor and audio DSP clocks.
 - Also available is the DPLL bypass mode, in which the high-speed master clock directly drives the microprocessor and audio DSP clocks.
- Serial audio port (SAP) clock management
 - Oversees SAP master/slave mode
 - Controls output of SCLKOUT1, SCLKOUT2, and LRCLK in the SAP master mode

Figure 5-2 shows the clock circuitry in the TAS3108/TAS3108IA. Input pin MCLKI or XTALI provides the master clock for the TAS3108/TAS3108IA. Within the TAS3108/TAS3108IA, these two inputs are combined by an OR gate and, thus, only one of these two sources can be active at any one time. The source that is not active must be logic 0.

In normal operation, 1, 2, or 4 (as determined by the logic levels set at input pins PLL0 and PLL1) divides the master clock. The DPLL then multiplies this signal by 11 in frequency (PLL2 = LOW). The multiplier ratio is always 11 (pin PLL2 = LOW). The DPLL output is the processing clock used by the audio DSP core.

Table 5-1. PLL2, PLL1, and PLL0 Pin Configuration Controls

PLL2	PLL1	PLL0	AUDIO DSP CLOCK
0	0	0	11 × MCLK/1
0	0	1	11 × MCLK/2
0	1	0	11 × MCLK/4
0	1	1	Reserved
1	X	X	Reserved

Audio DSP clock or audio DSP clock/4 is used to clock the on-chip microprocessor. The input pin MICROCLK_DIV makes this clock choice. A logic-1 input level on this pin selects the audio DSP clock for the microprocessor clock; a logic-0 input level on this pin selects the audio DSP clock/4 for the microprocessor clock. The microprocessor clock must be ≤ 34 MHz.

Table 5-2. MICROCLK_DIV Pin Configuration Control

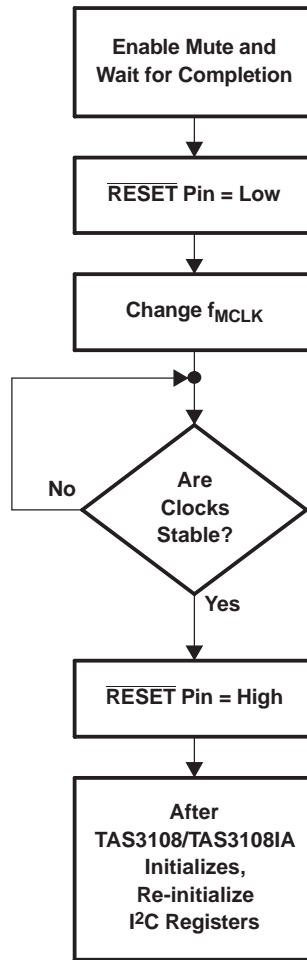
MICROCLK_DIV	MICROPROCESSOR CLOCK
0	Audio DSP clock/4
1	Audio DSP clock

NOTE

The state of PLL0, PLL1, PLL2, and MICROCLK_DIV can only be changed while the TAS3108 or TAS3108IA $\overline{\text{RESET}}$ pin is held low.

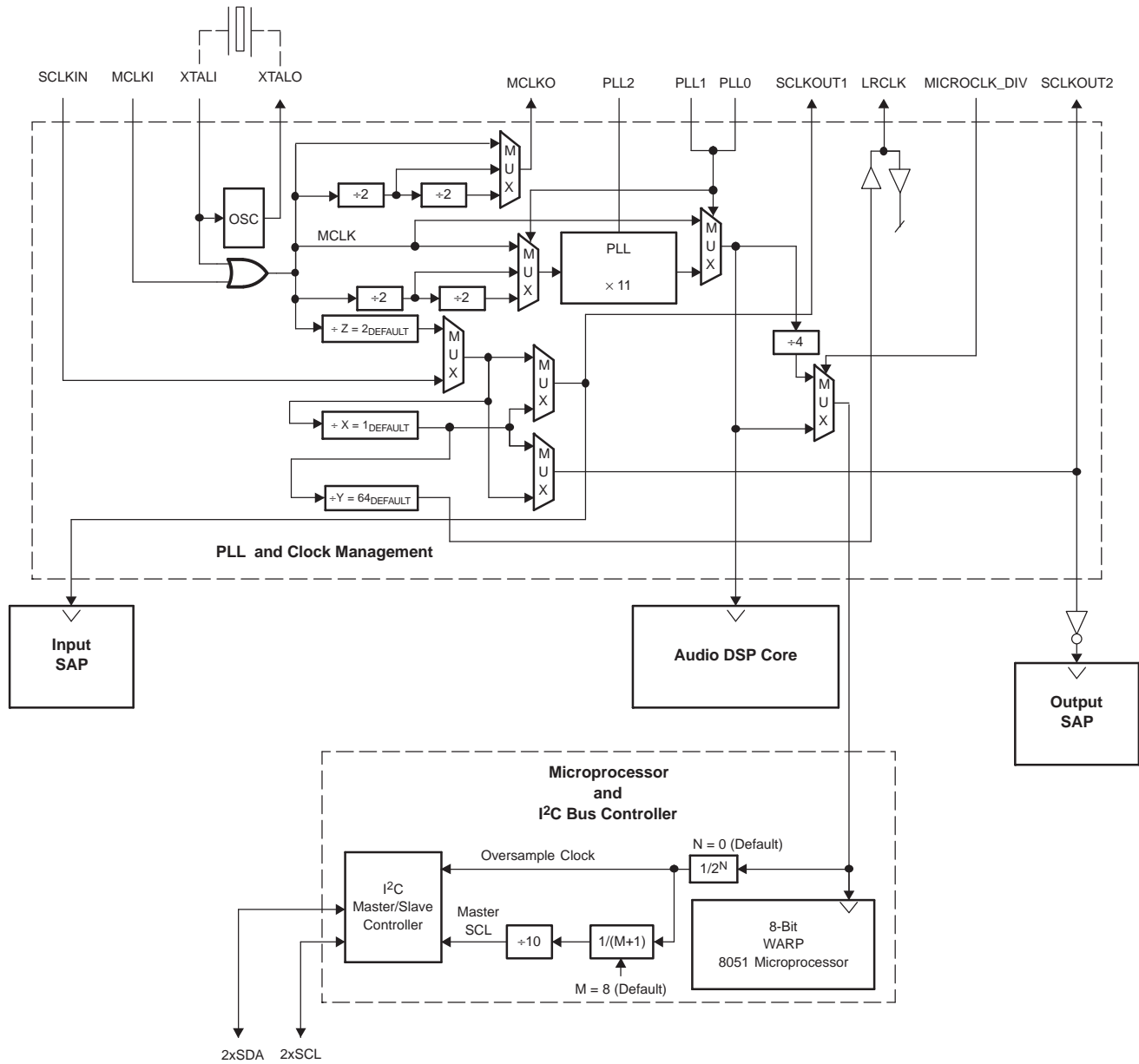
The TAS3108/TAS3108IA only supports dynamic sample-rate changes between any of the supported sample frequencies when a fixed-frequency master clock is provided. During dynamic sample-rate changes, the TAS3108/TAS3108IA remains in normal operation and the register contents are preserved. To avoid producing audio artifacts during the sample-rate changes, a volume or mute control can be included in the application firmware that mutes the output signal during the sample-rate change. The fixed-frequency clock can be provided by a crystal, attached to XTLI and XTLO, or an external 3.3-V fixed-frequency TTL source attached to MCLKI.

When the TAS3108/TAS3108IA is used in a system in which the master clock frequency (f_{MCLK}) can change, the TAS3108/TAS3108IA must be reset during the frequency change. In these cases, the procedure shown in [Figure 5-1](#) should be used.



F0007-01

Figure 5-1. Master Clock Frequency (f_{MCLK}) Change Procedure



B0078-01

Figure 5-2. DPLL and Clock Management Block Diagram

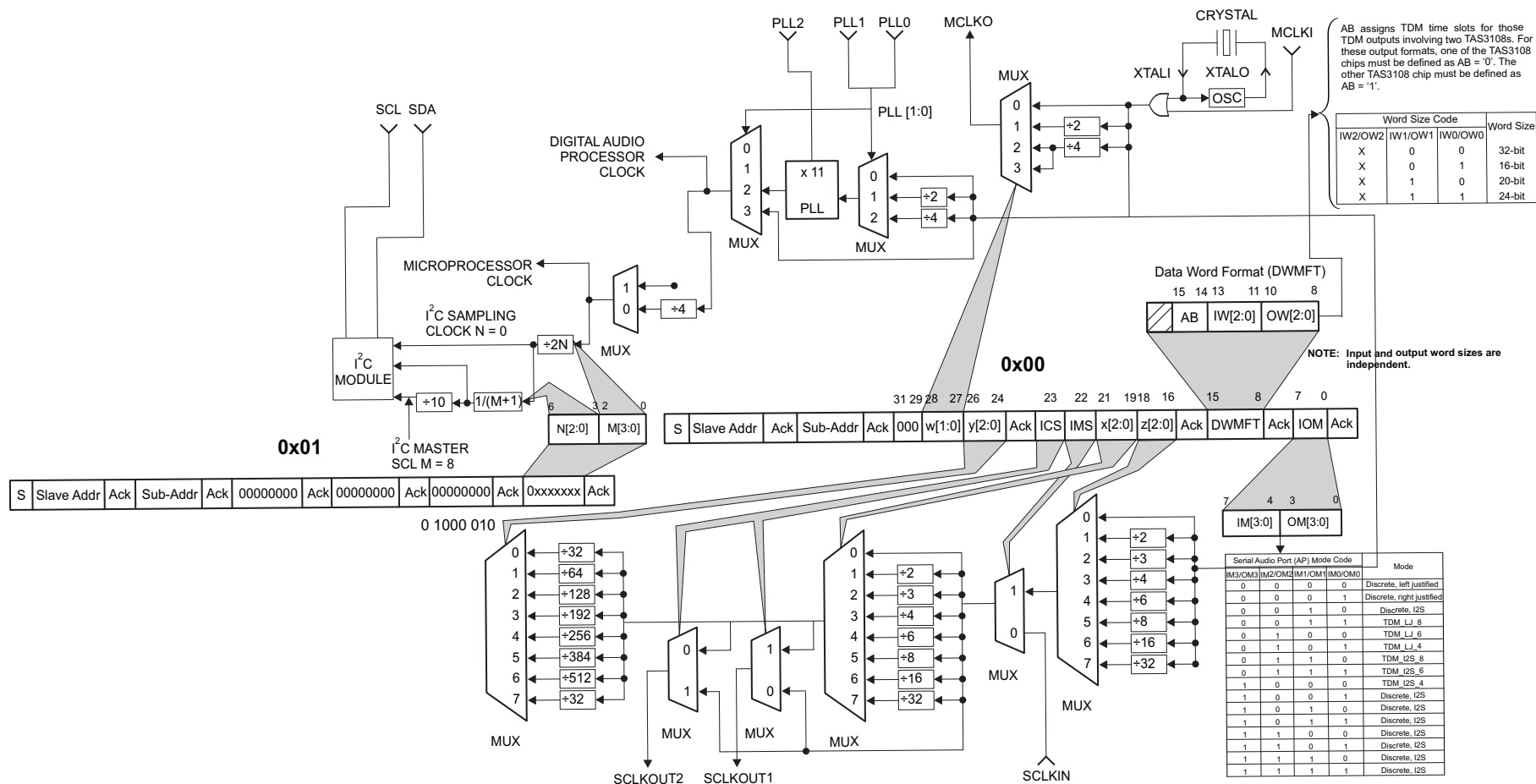


Figure 5-3. Serial Data Format, Clock Management, and I²C M&N Assignments

When the serial audio port (SAP) is in the master mode, the SAP uses the MCLKI or XTALI master clock to drive the serial port clocks SCLKOUT1, SCLKOUT2, and LRCLK. When the SAP is in the slave mode, LRCLK is an input and SCLKOUT2 and SCLKOUT1 are derived from SCLKIN. As shown in [Figure 5-2](#), SCLKOUT1 clocks data into the input SAP and SCLKOUT2 clocks data from the output SAP. Two distinct clocks are required to support TDM-to-discrete and discrete-to-TDM data-format conversions. Such format conversions also require that SCLKIN be the higher-valued bit-clock frequency. For TDM-in/discrete-out format conversions, SCLKIN must be equal to the input bit clock. For discrete-in/TDM-out format conversions, SCLKIN must be equal to the output bit clock. The frequency settings for SCLKOUT1, SCLKOUT2, and LRCLK in the SAP master mode, as well as the SAP master/slave mode selection, are all controlled by I²C commands. [Table 5-3](#) lists the default settings at power turnon or after a received reset.

Table 5-3. TAS3108/TAS3108IA Clock Default Settings

CLOCK	DEFAULT SETTING
SCLKOUT1	SCLKIN
SCLKOUT2	SCLKIN
MCLKO	MCLKI or XTALI
LRCLK	Input
Audio DSP clock	Set by pins PLL0 and PLL1
Microprocessor clock	Set by pin MICROCLK_DIV
PLL multiply ratio	11
I ² C sampling clock	N = 0
I ² C master SCL	M = 8

The selections provided by the dedicated TAS3108/TAS3108IA input pins and the programmable settings provided by I²C subaddress commands give the TAS3108/TAS3108IA a variety of clocking options. However, the following clocking restrictions must be adhered to:

- MCLKI or XTALI $\geq 128 f_s$

NOTE

For some TDM modes, MCLKI or XTALI must be $\geq 256 f_s$

- Audio DSP clock < 136 MHz
- Microprocessor clock/20 \geq I²C SCL clock
- Microprocessor clock ≤ 34 MHz
- I²C oversample clock/20 \geq I²C SCL clock
- XTALI ≤ 20 MHz
- MCLKI ≤ 25 MHz

As long as these restrictions are met, all other clocking options are allowed.

See [Section 7.1](#) for information on programming the clock register.

Table 5-4. TAS3108/TAS3108IA MCLK and LRCLK Common Values (MCLK = 12.288 MHz or MCLK = 11.2896 MHz)

f_s Sample Rate (kHz)	Ch per SDIN	MCLK/ LRCLK Ratio ($\times f_s$)	MCLK Freq (MHz)	SCLKIN Rate ($\times f_s$)	SCLKIN Freq (MHz)	MCLK/ SCLK 1, 2, 3, 4, 6, 8, 16, 32	X Mux 1, 2, 3, 4, 6, 8, 16, 32	SCLK OUT1 Rate ($\times f_s$)	Ch per SDOUT	SCLK OUT2 Rate ($\times f_s$)	LRCLK f_s Rate 32, 64, 128, 192, 256, 384, 512	Input Divider 1, 2, 4 (pins PLL0, PLL1)	PLL Multi- plier 11 (pin PLL2)	f_{DSPCLK} (MHz) Max 135.2 MHz	f_{DSPCLK}/f_s
Slave Mode, 2 Channels In, 2 Channels Out															
32	2	384	12.288	64	2.048	N/A	1	64	2	64	64	1	11	135.2	4224
44.1	2	256	11.2896	64	2.822	N/A	1	64	2	64	64	1	11	124.2	2816
48	2	256	12.288	64	3.072	N/A	1	64	2	64	64	1	11	135.2	2816
88.2	2	128	11.2896	64	5.645	N/A	1	64	2	64	64	1	11	124.2	1408
96	2	128	12.288	64	6.144	N/A	1	64	2	64	64	1	11	135.2	1408
176.4	2	64	11.2896	64	11.290	N/A	1	64	2	64	64	1	11	124.2	704
192	2	64	12.288	64	12.288	N/A	1	64	2	64	64	1	11	135.2	704
Slave Mode, 2 Channels In, TDM Out															
44.1	2	256	11.2896	256	11.290	N/A	4	64	8	256	64	1	11	124.2	2816
48	2	256	12.288	256	12.288	N/A	4	64	8	256	64	1	11	135.2	2816
88.2	2	128	11.2896	128	11.290	N/A	2	64	4	128	64	1	11	124.2	1408
96	2	128	12.288	128	6.144	N/A	2	64	4	128	64	1	11	135.2	1408
Slave Mode, TDM In, 2 Channels Out															
44.1	8	256	11.2896	256	11.290	N/A	4	256	2	64	64	1	11	124.2	2816
48	8	256	12.288	256	12.288	N/A	4	256	2	64	64	1	11	135.2	2816
88.2	4	128	11.2896	128	11.290	N/A	2	128	2	64	64	1	11	124.2	1408
96	4	128	12.288	128	12.288	N/A	2	128	2	64	64	1	11	135.2	1408
Slave Mode, TDM In, TDM Out															
44.1	8	256	11.2896	256	11.290	N/A	1	256	8	256	256	1	11	124.2	2816
48	8	256	12.288	256	12.288	N/A	1	256	8	256	256	1	11	135.2	2816
88.2	4	128	11.2896	128	11.290	N/A	1	128	4	128	128	1	11	124.2	1408
96	4	128	12.288	128	12.288	N/A	1	128	4	128	128	1	11	135.2	1408
Master Mode, 2 Channels In, 2 Channels Out															
32	2	384	12.288	N/A	N/A	6	1	64	2	64	64	1	11	135.2	4224
44.1	2	256	11.2896	N/A	N/A	4	1	64	2	64	64	1	11	124.2	2816
48	2	256	12.288	N/A	N/A	4	1	64	2	64	64	1	11	135.2	2816
88.2	2	128	11.2896	N/A	N/A	2	1	64	2	64	64	1	11	124.2	1408
96	2	128	12.288	N/A	N/A	2	1	64	2	64	64	1	11	135.2	1408
176.4	2	64	11.2896	N/A	N/A	1	1	64	2	64	64	1	11	124.2	704

TAS3108, TAS3108IA
AUDIO DIGITAL SIGNAL PROCESSORS



SLES152B–OCTOBER 2005–REVISED NOVEMBER 2007

Table 5-4. TAS3108/TAS3108IA MCLK and LRCLK Common Values (MCLK = 12.288 MHz or MCLK = 11.2896 MHz) (continued)

f_s Sample Rate (kHz)	Ch per SDIN	MCLK/ LRCLK Ratio ($\times f_s$)	MCLK Freq (MHz)	SCLKIN Rate ($\times f_s$)	SCLKIN Freq (MHz)	MCLK/ SCLK 1, 2, 3, 4, 6, 8, 16, 32	X Mux 1, 2, 3, 4, 6, 8, 16, 32	SCLK OUT1 Rate ($\times f_s$)	Ch per SDOUT	SCLK OUT2 Rate ($\times f_s$)	LRCLK f_s Rate 32, 64, 128, 192, 256, 384, 512	Input Divider 1, 2, 4 (pins PLL0, PLL1)	PLL Multi- plier 11 (pin PLL2)	f_{DSPCLK} (MHz) Max 135.2 MHz	f_{DSPCLK}/f_s
192	2	64	12.288	N/A	N/A	1	1	64	2	64	64	1	11	135.2	704
Master Mode, 2 Channels In, TDM Out															
44.1	2	256	11.2896	N/A	N/A	1	4	64	8	256	64	1	11	124.2	2816
48	2	256	12.288	N/A	N/A	1	4	64	8	256	64	1	11	135.2	2816
88.2	2	128	11.2896	N/A	N/A	1	2	64	4	128	64	1	11	124.2	1408
96	2	128	12.288	N/A	N/A	1	2	64	4	128	64	1	11	135.2	1408
32	2	384	12.288	N/A	N/A	2	3	64	6	192	64	1	11	135.2	4224
44.1	2	256	11.2896	N/A	N/A	2	2	64	4	128	64	1	11	124.2	2816
48	2	256	12.288	N/A	N/A	2	2	64	4	128	64	1	11	135.2	2816
32	2	384	12.288	N/A	N/A	3	2	64	4	384	64	1	11	135.2	4224
Master Mode, TDM In, 2 Channels Out															
44.1	8	256	11.2896	N/A	N/A	1	4	256	2	64	64	1	11	124.2	2816
48	8	256	12.288	N/A	N/A	1	4	256	2	64	64	1	11	135.2	2816
88.2	4	128	11.2896	N/A	N/A	1	2	128	2	64	64	1	11	124.2	1408
96	4	128	12.288	N/A	N/A	1	2	128	2	64	64	1	11	135.2	1408
32	6	384	12.288	N/A	N/A	2	3	192	2	64	64	1	11	135.2	4224
44.1	4	256	11.2896	N/A	N/A	2	2	128	2	64	64	1	11	124.2	2816
48	4	256	12.288	N/A	N/A	2	2	128	2	64	64	1	11	135.2	2816
32	4	384	12.288	N/A	N/A	3	6	384	2	64	64	1	11	135.2	4224
Master Mode, TDM In, TDM Out															
44.1	8	256	11.2896	N/A	N/A	1	1	256	8	256	256	1	11	124.2	2816
48	8	256	12.288	N/A	N/A	1	1	256	8	256	256	1	11	135.2	2816
88.2	4	128	11.2896	N/A	N/A	1	1	128	4	128	128	1	11	124.2	1408
96	4	128	12.288	N/A	N/A	1	1	128	4	128	128	1	11	135.2	1408
32	6	384	12.288	N/A	N/A	2	1	192	6	192	192	1	11	135.2	4224
44.1	4	256	11.2896	N/A	N/A	2	1	128	4	128	128	1	11	124.2	2816
48	4	256	12.288	N/A	N/A	2	1	128	4	128	128	1	11	135.2	2816
32	4	384	12.288	N/A	N/A	3	1	384	4	384	384	1	11	135.2	4224

6 Microprocessor Controller

The 8051 microprocessor receives and distributes I²C write data, retrieves and outputs to the I²C bus controllers the required I²C read data, and participates in most processing tasks requiring multiframe processing cycles. The microprocessor has its own data RAM for storing intermediate values and queuing I²C commands, a fixed boot-program ROM, and a program RAM. The microprocessor boot program cannot be altered. The microprocessor controller has specialized hardware for master and slave interface operation, volume updates, and a programmable interval timer interrupt. For more information, see the *TAS3108/TAS3108IA Firmware Programmer's Guide* ([SLEU067](#)).

The TAS3108/TAS3108IA has a slave-only I²C interface that is compatible with the inter-IC (I²C) bus protocol and supports both 100-kbps and 400-kbps data-transfer rates for multiple 4-byte write and read operations (maximum is 20 bytes). The slave I²C control interface is used to program the registers of the device and to read device status.

The TAS3108/TAS3108IA also has a master-only I²C interface that is compatible with the I²C bus protocol and supports 375-kbps data transfer rates for multiple 4-byte write and read operations (maximum is 20 bytes). The master I²C interface is used to load program and data from an external I²C EEPROM.

On power up of the TAS3108/TAS3108IA, the slave interface is disabled and the master interface is enabled. Following a reset, the TAS3108/TAS3108IA disables the slave interface and enables the master interface. Using the master interface, the TAS3108/TAS3108IA automatically tests to see if an I²C EEPROM is at address 1010xxx. The value xxx can be chip select, other information, or don't cares, depending on the EEPROM selected. If a memory is present and it contains the correct header information and one or more blocks of program/memory data, the TAS3108/TAS3108IA loads the program, coefficient, and/or data memories from the EEPROM. If a memory is present, the download is complete when a header is read that has a zero-length data segment. At this point, the TAS3108/TAS3108IA disables the master I²C interface, enables the slave I²C interface, and starts normal operation.

If no memory is present or if an error occurred during the EEPROM read, TAS3108/TAS3108IA disables the master I²C interface, enables the slave I²C interface, and loads the unprogrammed default configuration. In this default configuration, the TAS3108/TAS3108IA streams eight channels of audio from input to output if the GPIO pin is LOW. The master and slave interfaces do not operate simultaneously.

In the slave mode, the I²C bus is used to:

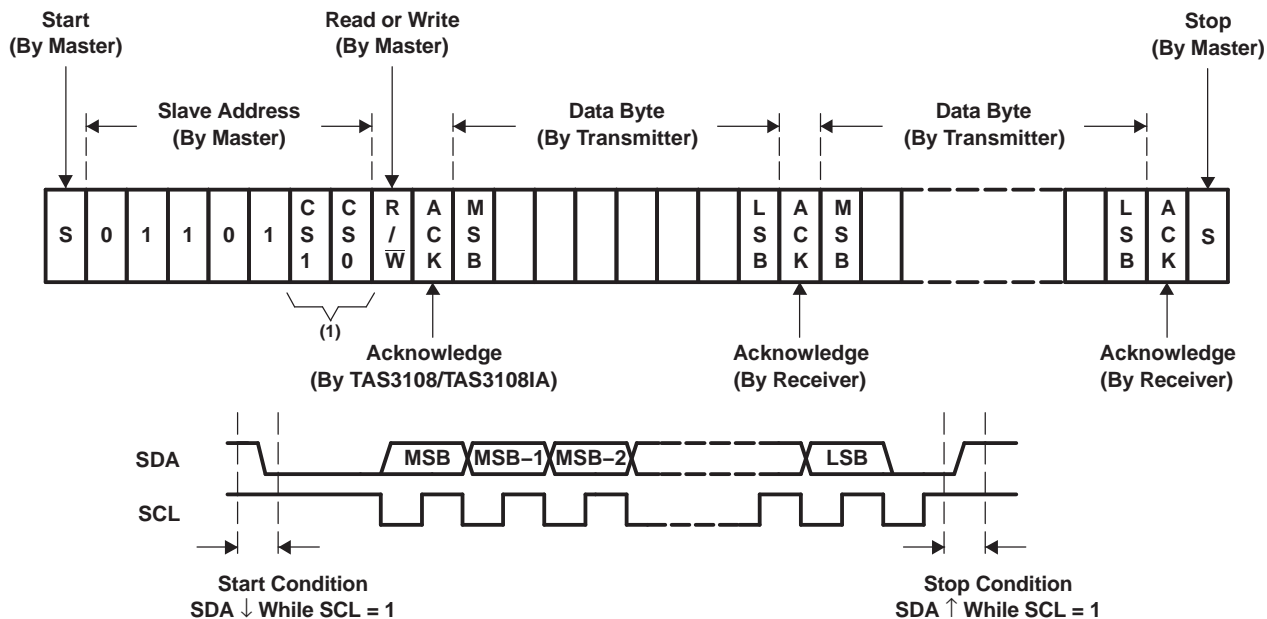
- Load the program and coefficient data
 - Microprocessor program memory
 - Microprocessor extended memory
 - Audio DSP core program memory
 - Audio DSP core coefficient memory
 - Audio DSP core data memory
- Update coefficient and other control values
- Read status flags

Once the microprocessor program memory has been loaded, it cannot be updated until the TAS3108/TAS3108IA has been reset.

The master and slave modes do not operate simultaneously.

When acting as an I²C master, the data transfer rate is fixed at 375 kHz, assuming MCLKI or XTALI = 12.288 MHz, PLL0 = PLL1 = 0, and MICROCLK_DIV = 0.

When acting as an I²C slave, the data transfer rate is determined by the master device on the bus. The I²C communication protocol for the I²C slave mode is shown in [Figure 6-1](#).



T0087-01

Figure 6-1. I²C Slave-Mode Communication Protocol

6.1 General I²C Operations

As shown in Figure 6-2, an I²C read transaction requires that the master device first issue a write transaction to give the TAS3108/TAS3108IA the subaddress to be used in the read transaction that follows. This subaddress assignment write transaction is then followed by the read transaction. For write transactions, the subaddress is supplied in the first byte of data written, and this byte is followed by the data to be written. For I²C write transactions, the subaddress must always be included in the data written. There cannot be a separate write transaction to supply the subaddress, as was required for read transactions. If a subaddress assignment-only write transaction is followed by a second write transaction supplying the data, erroneous behavior results. The first byte in the second write transaction is interpreted by the TAS3108/TAS3108IA as another subaddress replacing the one previously written.

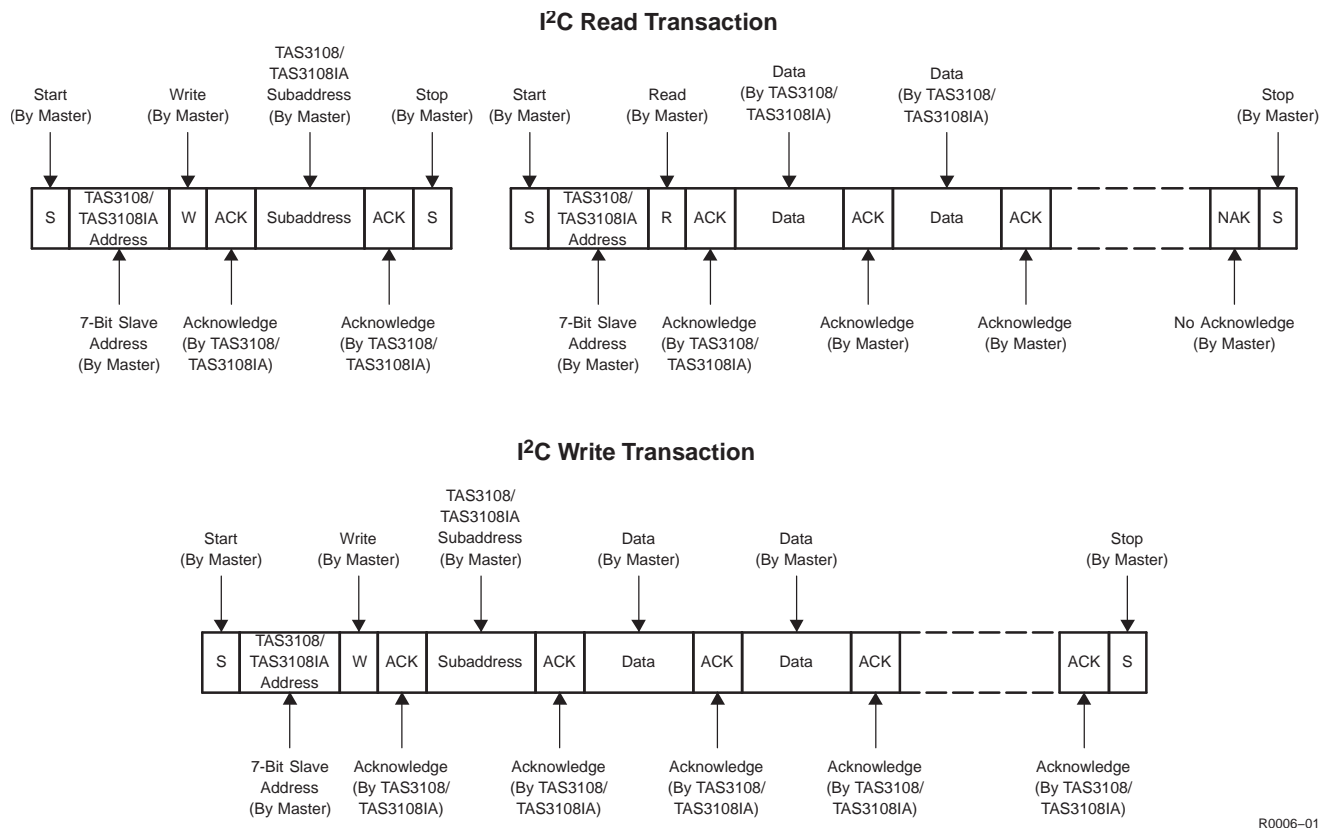


Figure 6-2. I²C Subaddress Access Protocol

6.2 Detailed I²C Operation

The I²C slave mode is the mode that is used to change configuration parameters during operation and to perform program and coefficient downloads from a master device. The latter can be used to replace the I²C master-mode EEPROM download. The TAS3108/TAS3108IA supports both random and sequential I²C transactions. The TAS3108/TAS3108IA I²C slave address is 011010xy, where the first six bits are the TAS3108/TAS3108IA device address and bit x is CS0, which is set by the TAS3108/TAS3108IA internal microprocessor at power up. Bit y is the R/W bit. The pull-down resistance of CS0 creates a default 00 address when no connection is made to the pin. Table 6-1 and Table 6-2 show all the legal addresses for I²C slave and master modes.

The TAS3108/TAS3108IA I²C block does respond to the broadcast address (00h).

Table 6-1. Slave Addresses

BASE ADDRESS	CS0	R/W	SLAVE ADDRESS
0110 10	0	0	0x68
0110 10	0	1	0x69
0110 10	1	0	0x6A
0110 10	1	1	0x6B

Table 6-2. Master Addresses

BASE ADDRESS	CS0	R/W	MASTER ADDRESS
1010 00	0	0	0xA0
1010 00	0	1	0xA1
1010 00	1	0	0xA2
1010 00	1	1	0xA3

The following is an example use of the I²C master address to access an external EEPROM. The TAS3108/TAS3108IA can address up to two EEPROMs depending on the state of CS0. Initially, the TAS3108/TAS3108IA comes up in I²C master mode. If it finds a memory such as the 24C512 EEPROM, it reads the headers and data as previously described. In this I²C master mode, the TAS3108/TAS3108IA addresses the EEPROMs as shown in Table 6-3 and Table 6-4.

Table 6-3. EEPROM Address I²C TAS3108/TAS3108IA Master Mode = 0xA1/A0

MSB					A0 (EEPROM)	CS0	R/W
1	0	1	0	0	0	0	1/0

Table 6-4. EEPROM Address I²C TAS3108/TAS3108IA Master Mode = 0xA3/A2

MSB					A0 (EEPROM)	CS0	R/W
1	0	1	0	0	0	1	1/0

Random I²C Transactions

Supplying a subaddress for each subaddress transaction is referred to as random I²C addressing. For random I²C read commands, the TAS3108/TAS3108IA responds with data, a byte at a time, starting at the subaddress assigned, as long as the master device continues to respond with acknowledges. If a given subaddress does not use all 32 bits, the unused bits are read as logic 0. I²C write commands, however, are treated in accordance with the data assignment for that address space. If a write command is received for a biquad subaddress, for example, the TAS3108/TAS3108IA expects to see five 32-bit words. If fewer than five data words have been received when a stop command (or another start command) is received, the data received is discarded.

Sequential I²C Transactions

The TAS3108/TAS3108IA also supports sequential I²C addressing. For write transactions, if a subaddress is issued followed by data for that subaddress and the 15 subaddresses that follow, a sequential I²C write transaction has taken place, and the data for all 16 subaddresses is successfully received by the TAS3108/TAS3108IA. For I²C sequential write transactions, the subaddress then serves as the start address, and the amount of data subsequently transmitted before a stop or start is transmitted determines how many subaddresses are written to. As was true for random addressing, sequential addressing requires that a complete set of data be transmitted. If only a partial set of data is written to the last subaddress, the data for the last subaddress is discarded. However, all other data written is accepted; just the incomplete data is discarded.

Sequential read transactions do not have restrictions on outputting only complete subaddress data sets.

If the master does not issue enough data-received acknowledges to receive all the data for a given subaddress, the master device does not receive all the data.

If the master device issues more data-received acknowledges than required to receive the data for a given subaddress, the master device simply receives complete or partial sets of data, depending on how many data-received acknowledges are issued from the subaddress(es) that follow. I²C read transactions, both sequential and random, can impose wait states.

For the standard I²C mode (SCL = 100 kHz), worst-case wait state time for an 8-MHz microprocessor clock is on the order of 2 μs. Nominal wait-state time for the same 8-MHz microprocessor clock is on the order of 1 μs. For the fast I²C mode (SCL = 400 kHz) and the same 8-MHz microprocessor clock, worst-case wait-state time can extend up to 10.5 μs in duration. Nominal wait-state time for this same case lies in a range from 2 μs to 4.6 μs. Increasing the microprocessor clock frequency lowers the wait-state time and for the standard I²C mode, a faster microprocessor clock can totally eliminate the presence of wait states.

For example, increasing the microprocessor clock to 16 MHz results in no wait states. For the fast I²C mode, faster microprocessor clocks shorten the wait-state time encountered, but do not totally eliminate wait states.

6.2.1 Multiple-Byte Write

Multiple data bytes are transmitted by the master device to slave as shown in Figure 6-3. After receiving each data byte, the TAS3108/TAS3108IA responds with an acknowledge bit.

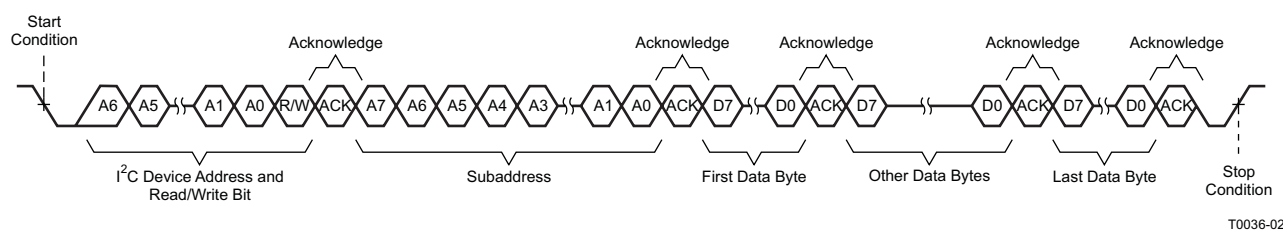


Figure 6-3. Multiple-Byte Write Transfer

6.2.2 Multiple-Byte Read

Multiple data bytes are transmitted by the TAS3108/TAS3108IA to the master device as shown in Figure 6-4. Except for the last data byte, the master device responds with an acknowledge bit after receiving each data byte.

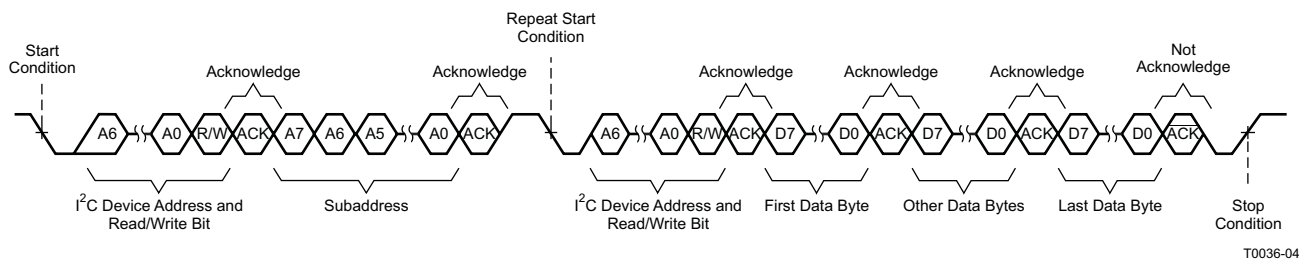


Figure 6-4. Multiple-Byte Read Transfer

6.3 I²C Master-Mode Device Initialization

I²C master-mode operation is enabled following a reset or power-on reset. Master-mode I²C transactions do not start until the I²C bus is idle.

The TAS3108/TAS3108IA uses the master mode to download from EEPROM the memory contents for the microprocessor program memory, microprocessor extended memory, audio DSP core program memory, audio DSP core coefficient memory, and audio DSP core data memory.

The TAS3108/TAS3108IA, when operating as an I²C master, can execute a complete download of any internal memory or any section of any internal memory without requiring any wait states.

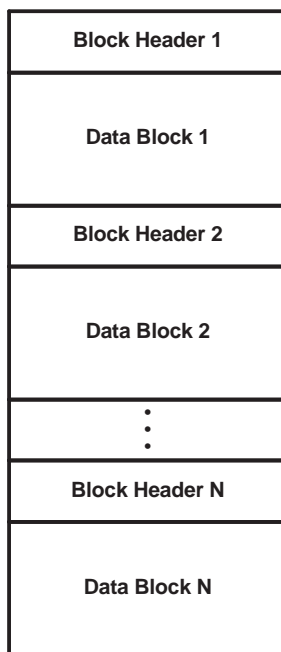
When the TAS3108/TAS3108IA operates as an I²C master, the TAS3108/TAS3108IA generates a repeated start without an intervening stop command while downloading program and memory data from EEPROM. When a repeated start is sent to the EEPROM in read mode, the EEPROM enters a sequential read mode to transfer large blocks of data quickly.

The TAS3108/TAS3108IA queries the bus for an I²C EEPROM at address 1010xxx. The value xxx can be chip select, other information, or don't cares, depending on the EEPROM selected.

The first action of the TAS3108/TAS3108IA as master is to transmit a start condition along with the device address of the I²C EEPROM with the read/write bit cleared (0) to indicate a write. The EEPROM acknowledges the address byte, and the TAS3108/TAS3108IA sends a subaddress byte, which the EEPROM acknowledges. Most EEPROMs have at least 2-byte addresses and acknowledge as many as are appropriate. At this point, the EEPROM sends a last acknowledge and becomes a slave transmitter. The TAS3108/TAS3108IA acknowledges each byte repeatedly to continue reading each data byte that is stored in memory.

The memory load information starts with reading the header and data information that starts at subaddress 0 of the EEPROM. This information must then be stored in sequential memory addresses with no intervening gaps. The data blocks are contiguous blocks of data that immediately follow the header locations.

The TAS3108/TAS3108IA memory data can be stored and loaded in (almost) any order. Additionally, this addressing scheme permits portions of the TAS3108/TAS3108IA internal memories to be loaded.

I²C EEPROM Memory Map

M0040-01

Figure 6-5. EEPROM Address Map

The TAS3108/TAS3108IA sequentially reads EEPROM memory and loads its internal memory unless it does not find a valid memory header block, is not able to read the next memory location because the end of memory was reached, detects a checksum error, or reads an end-of-program header block. When it encounters an invalid header or read error, the TAS3108/TAS3108IA attempts to read the header or memory location three times before it determines that it has an error. If the TAS3108/TAS3108IA encounters a checksum error it attempts to reread the entire block of memory two more times before it determines that it has an error.

Once the microprocessor program memory has been loaded, it cannot be reloaded until the TAS3108/TAS3108IA has been reset.

If an error is encountered, TAS3108/TAS3108IA terminates its memory-load operation, loads the default configuration, and disables further master I²C bus operations.

If an end-of-program data block is read, the TAS3108/TAS3108IA has completed the initial program load.

The I²C master mode uses the starting and ending I²C checksums to verify a proper EEPROM download. The first 16-bit data word received from the EEPROM, the I²C checksum at subaddress 0x00, is stored and compared against the 16-bit data word received for the last subaddress, the ending I²C checksum, and the checksum that is computed during the download. These three values must be equal. If the read and computed values do not match, the TAS3108/TAS3108IA sets the memory read error bits in the status register and repeats the download from the EEPROM two more times. If the comparison check fails the third time, the TAS3108/TAS3108IA sets the microprocessor program to the default value.

[Table 6-5](#) shows the format of the EEPROM or other external memory load file. Each line of the file is a byte (in ASCII format). The checksum is the summation of all the bytes (with beginning and ending checksum fields = 00). The final checksum inserted into the checksum field is the lowest significant four bytes of the checksum.

Example:

Given the following example 8051 data or program block (must be a multiple of 4 bytes for these blocks):

10h

20h

30h

40h

50h

60h

70h

80h

The checksum = 10h + 20h + 30h + 30h + 40h + 50h + 60h + 70h + 80h = 240h, so

the values put in the checksum fields are MS byte = 02h and LS byte = 40h.

If the checksum is > FFFFh, the 2-byte checksum field is the least-significant two bytes.

For example, if the checksum is 1D 45B6h, the checksum field is MS byte = 45h and LS byte = B6h.

Table 6-5. TAS3108/TAS3108IA Memory Block Structures

STARTING BYTE	DATA BLOCK FORMAT	SIZE	NOTES
12-Byte Header Block			
0	Checksum code MS byte	2 bytes	Checksum of bytes 2 through N + 12
	Checksum code LS byte		
2	Header ID byte 1 = 0x00	2 bytes	Must be 0x001F for the TAS3108/TAS3108IA to load
	Header ID byte 2 = 0x1F		
4	Memory to be loaded	1 byte	0x00 Microprocessor program memory or termination header 0x01 Microprocessor external data memory 0x02 Audio DSP core program memory 0x03 Audio DSP core coefficient memory 0x04 Audio DSP core data memory 0x05–0x0F Reserved for future expansion
5	0x00	1 byte	Unused
6	Start TAS3108/TAS3108IA memory address MS byte	2 bytes	If this is a termination header, this value is 0000.
	Start TAS3108/TAS3108IA memory address LS byte		
8	Total number of bytes transferred MS byte	2 bytes	12 + data bytes + last checksum bytes. If this is a termination header, this value is 0000.
	Total number of bytes transferred LS byte		
10	0x00	1 bytes	Unused
11	0x00	1 bytes	Unused
Data Block for Microprocessor Program or Data Memory (Following 12-Byte Header)			
12	Data byte 1 (LS byte)	4 bytes	1–4 microprocessor bytes
	Data byte 2		
	Data byte 3		
	Data byte 4 (MS byte)		
16	Data byte 5	4 bytes	5–8 microprocessor bytes
	Data byte 6		
	Data byte 7		
	Data byte 8		
	•		
	•		
	•		
N + 8	Data byte $4*(Z - 1) + 1$	4 bytes	
	Data byte $4*(Z - 1) + 2$		
	Data byte $4*(Z - 1) + 3$		
	Data byte $4*(Z - 1) + 4 = N$		
N + 12	0x00	4 bytes	Repeated checksum bytes 2 through N + 11
	0x00		
	Checksum code MS byte		
	Checksum code LS byte		
Data Block for Audio DSP Core Coefficient Memory (Following 12-Byte Header)			
12	Data byte 1 (LS byte)	4 bytes	Coefficient word 1 (valid data in D27–D0) D7–D0
	Data byte 2		D15–D8
	Data byte 3		D23–D16
	Data byte 4 (MS byte)		D31–D24

Table 6-5. TAS3108/TAS3108IA Memory Block Structures (continued)

STARTING BYTE	DATA BLOCK FORMAT	SIZE	NOTES
16	Data byte 5	4 bytes	Coefficient word 2
	Data byte 6		
	Data byte 7		
	Data byte 8		
	•		
	•		
	•		
N + 8	Data byte $4*(Z - 1) + 1$	4 bytes	Coefficient word Z
	Data byte $4*(Z - 1) + 2$		
	Data byte $4*(Z - 1) + 3$		
	Data byte $4*(Z - 1) + 4 = N$		
N + 12	0x00	4 bytes	Repeated checksum bytes 2 through N + 11
	0x00		
	Checksum code MS byte		
	Checksum code LS byte		
Data Block for Audio DSP Core Data Memory (Following 12-Byte Header)			
12	Data byte 1 (LS byte)	6 bytes	Data word 1 D7–D0
	Data byte 2		D15–D8
	Data byte 3		D23–D16
	Data byte 4		D31–D24
	Data byte 5		D39–D32
	Data byte 6 (MS byte)		D47–D40
18	Data byte 7	6 bytes	Data 2
	Data byte 8		
	Data byte 9		
	Data byte 10		
	Data byte 11		
	Data byte 12		
	•		
	•		
	•		
N + 6	Data byte $6*(Z - 1) + 1$	6 bytes	Data Z
	Data byte $6*(Z - 1) + 2$		
	Data byte $6*(Z - 1) + 3$		
	Data byte $6*(Z - 1) + 4$		
	Data byte $6*(Z - 1) + 5$		
	Data byte $6*(Z - 1) + 6 = N$		
N + 12	0x00	6 bytes	Repeated checksum bytes 2 through N + 11
	0x00		
	0x00		
	0x00		
	Checksum code MS byte		
	Checksum code LS byte		

Table 6-5. TAS3108/TAS3108IA Memory Block Structures (continued)

STARTING BYTE	DATA BLOCK FORMAT	SIZE	NOTES
Data Block for Audio DSP Core Program Memory (Following 12-Byte Header)			
12	Program byte 1 (LS byte)	7 bytes	Program word 1 (valid data in D53–D0) D7–D0
	Program byte 2		D15–D8
	Program byte 3		D23–D16
	Program byte 4		D31–D24
	Program byte 5		D39–D32
	Program byte 6		D47–D40
	Program byte 7 (MS byte)		D55–D48
19	Program byte 8	7 bytes	Program word 2
	Program byte 9		
	Program byte 10		
	Program byte 11		
	Program byte 12		
	Program byte 14		
	Program byte 15		
	•		
	•		
	•		
N + 5	Program byte $7*(Z - 1) + 1$	7 bytes	Program word Z
	Program byte $7*(Z - 1) + 2$		
	Program byte $7*(Z - 1) + 3$		
	Program byte $7*(Z - 1) + 4$		
	Program byte $7*(Z - 1) + 5$		
	Program byte $7*(Z - 1) + 6$		
	Program byte $7*(Z - 1) + 7 = N$		
N + 12	0x00	7 bytes	Repeated checksum bytes 2 through N + 11
	0x00		
	0x00		
	0x00		
	0x00		
	Checksum code MS byte		
	Checksum code LS byte		
20-Byte Termination Block (Last Block of Entire Load Block)			
B _{LAST} – 19	0x00	2 bytes	First two bytes of termination block are always 0x0000.
	0x00		
B _{LAST} – 17	0x00	2 bytes	Second two bytes are always 0x001F.
	0x1F		
B _{LAST} – 15	0x00	1 byte	Last 16 bytes must each be 0x00.
B _{LAST} – 14	0x00	1 byte	
	•		
B _{LAST}	0x00	1 byte	

7 I²C Register Map

SUBADDRESS	REGISTER NAME	NO. OF BYTES	CONTENTS	INITIALIZATION VALUE
0x00	Clock and SAP control register	4	Description shown in Section 7.1	0x01, 0x00, 0x1B, 0x22
0x01	Reserved	4	Reserved	0x00, 0x00, 0x00, 0x40
0x02	Status register	4	Description shown in Section 7.2	0x00, 0x00, 0x00, 0x00
0x03	Unused			0x00, 0x00, 0x00, 0x00
0x04	I ² C memory load control register	8	Description shown in Section 7.3	
0x05	I ² C memory load data register	8	Description shown in Section 7.3	
0x06	PEEK/POKE address	4	u(31:24) ⁽¹⁾ , MemSelect(23:16), Addr(15:8), Addr(7:0)	0x00, 0x00, 0x00, 0x00
0x07	PEEK/POKE data	16	D(63:56), D(55:48), D(47:40), D(39:32), D(31:24), D(23:16), D(15:8), D(7:0)	0x00, 0x00, 0x00, 0x00
0x08	Version number	4	TAS3108/TAS3108IA version	0x00, 0x00, 0x00, 0x01
0x09	User-defined	4, 8, 12, 16, or 20	User-defined register 1	User-defined
0x0A	User-defined	4, 8, 12, 16, or 20	User-defined register 2	User-defined
• • •			• • •	
0xFE	User-defined	4, 8, 12, 16, or 20	User-defined register 246	User-defined
0xFF	User-defined	4, 8, 12, 16, or 20	User-defined register 247	User-defined

(1) u indicates unused bits.

In the following sections, **BOLD** indicates the default state of the bit fields.

7.1 Clock Control Register (0x00)

Register 0x00 provides the user with control over MCLK, LRCLK, SCLKOUT1, SCLKOUT2, data-word size, and serial audio port modes. Register 0x00 default = **0x0100 1B22**.

Table 7-1. Clock Control Register (0x00)

D31	D30	D29	D28	D27	D26	D25	D24	DESCRIPTION
0	0	0						Not Used
			W1	W0				Master clock output divider
					Y2	Y1	Y0	Master mode LRCLK divider
D23	D22	D21	D20	D19	D18	D17	D16	DESCRIPTION
ICS								SCLKOUT select (default = 0)
	IMS							SAP master/slave mux select (1 = master mode, 0 = slave mode)
		X2	X1	X0				SCLKIN and SCLKOUT clock divide
					Z2	Z1	Z0	MCLK, SCLK ratio (master mode only)
D15	D14	D13	D12	D11	D10	D9	D8	DESCRIPTION
X	X							Don't care
		X						Don't care
			IW1	IW0				Input audio data word size
					X			Don't care
						OW1	OW0	Output audio data word size
D7	D6	D5	D4	D3	D2	D1	D0	DESCRIPTION
IM3	IM2	IM1	IM0					Input data format
				OM3	OM2	OM1	OM0	Output data format

7.1.1 Master Clock Output Divider

Bits 28–27 (W1 and W0) define the ratio between MCLKI (or the crystal frequency) and MCLKO. This allows the accommodation of devices that require an MCLK = 128 LRCLK and devices that require an MCLK = 256 LRCLK, without having to use glue logic to divide that clock down. This bit has meaning whether in clock-master or clock-slave mode.

W1	W0	DESCRIPTION
0	0	MCLKO = MCLKI
0	1	MCLKO = MCLKI/2
1	0	MCLKO = MCLKI/4
1	1	MCLKO = MCLKI/4

7.1.2 Master Mode LRCLK Divider

Bits 26–24 (Y2, Y1, and Y0) define the ratio between SCLK and LRCLK, but only have meaning in the clock-master mode where LRCLK is an output. In the clock-slave mode, LRCLK is an input.

Y2	Y1	Y0	DESCRIPTION
0	0	0	LRCLK out = SCLK/32
0	0	1	LRCLK out = SCLK/64
0	1	0	LRCLK out = SCLK/128
0	1	1	LRCLK out = SCLK/192
1	0	0	LRCLK out = SCLK/256
1	0	1	LRCLK out = SCLK/384
1	1	0	LRCLK out = SCLK/512
1	1	1	LRCLK out = SCLK/32

7.1.3 SCLKIN and SCLKOUT Clock Divide

Bits 21–19 (X2, X1, and X0) define the ratio between SCLKIN and SCLKOUT. These control bits are only used when the input and output rates are different, which can happen if TDM and discrete modes are both used (for example, input is TDM and output is discrete). Normally, these bits are set to 000, so that SCLKOUT1 (input SCLK) and SCLKOUT2 (output SCLK) are the same. (Note that SCLKIN is not the input SCLK, but is used in clock-slave mode to derive SCLKOUT1.)

X2	X1	X0	DESCRIPTION
0	0	0	X MUX out = IMS_MUX (master/slave SCLK)
0	0	1	X MUX out = IMS_MUX/2
0	1	0	X MUX out = IMS_MUX/3
0	1	1	X MUX out = IMS_MUX/4
1	0	0	X MUX out = IMS_MUX/6
1	0	1	X MUX out = IMS_MUX/8
1	1	0	X MUX out = IMS_MUX/16
1	1	1	X MUX out = IMS_MUX/32

7.1.4 MCLK, SCLK Ratio (Master Mode Only)

Bits 18–16 (Z2, Z1, and Z0) define the ratio between MCLK and SCLK when the TAS3108/TAS3108IA is the clock master. In clock-slave mode, these bits are don't care.

Z2	Z1	Z0	DESCRIPTION
0	0	0	Z MUX out = MCLK (MCLKI or crystal oscillator)
0	0	1	Z MUX out = MCLK/2
0	1	0	Z MUX out = MCLK/3
0	1	1	Z MUX out = MCLK/4
1	0	0	Z MUX out = MCLK/6
1	0	1	Z MUX out = MCLK/8
1	1	0	Z MUX out = MCLK/16
1	1	1	Z MUX out = MCLK/32

TAS3108, TAS3108IA

AUDIO DIGITAL SIGNAL PROCESSORS

SLES152B–OCTOBER 2005–REVISED NOVEMBER 2007

7.1.5 Audio Data Word Size

Bits 12–11 (IW1 and IW0) define the data word size for the input SAP. Bits 9–8 (OW1 and OW0) define the data word size for the output SAP.

IW1/OW1	IW0/OW0	DESCRIPTION
0	0	32-bit audio data
0	1	16-bit audio data
1	0	20-bit audio data
1	1	24-bit audio data

7.1.6 Input and Output Data Format

Bits 7–4 (IM3, IM2, IM1, and IM0) define the input data format. Bits 3–0 (OM3, OM2, OM1, and OM0) define the output data format. The two formats need not be the same, only compatible.

IM3/OM3	IM2/OM2	IM1/OM1	IM0/OM0	DESCRIPTION
0	0	0	0	2 channel, left justified
0	0	0	1	2 channel, right justified
0	0	1	0	2 channel, I²S
0	0	1	1	TDM, left justified (8 channels)
0	1	0	0	TDM, left justified (6 channels)
0	1	0	1	TDM, left justified (4 channels)
0	1	1	0	TDM, I ² S (8 channels)
0	1	1	1	TDM, I ² S (6 channels)
1	0	0	0	TDM, I ² S (4 channels)
1	0	0	1	2 channel, I ² S
1	0	1	0	2 channel, I ² S
1	0	1	1	2 channel, I ² S
1	1	0	0	2 channel, I ² S
1	1	0	1	2 channel, I ² S
1	1	1	0	2 channel, I ² S
1	1	1	1	2 channel, I ² S

7.2 Status Register (0x02)

During I²C download, the write operation to indicate that a particular memory is to be written causes the TAS3108/TAS3108IA to set an error bit to indicate a load for that memory type. This error bit is cleared when the operation completes successfully.

Table 7-2. Status Register (0x02)

D31	D30	D29	D28	D27	D26	D25	D24	DESCRIPTION
–	–	–	–	–	–	–	–	Firmware definable
D23	D22	D21	D20	D19	D18	D17	D16	DESCRIPTION
–	–	–	–	–	–	–	–	Firmware definable
D15	D14	D13	D12	D11	D10	D9	D8	DESCRIPTION
								Firmware definable
D7	D6	D5	D4	D3	D2	D1	D0	DESCRIPTION
0	0	–	–	–	–	–	1	Microprocessor program memory load error
0	0	–	–	–	–	1	–	Microprocessor external data memory load error
0	0	–	–	–	1	–	–	Audio DSP core program memory load error
0	0	–	–	1	–	–	–	Audio DSP core coefficient memory load error
0	0	–	1	–	–	–	–	Audio DSP core data memory load error
0	0	1	–	–	–	–	–	Invalid memory select
1	1	1	1	0	0	0	0	End-of-load header error
1	1	1	1	1	1	1	1	No EPROM present
0	0	0	0	0	0	0	0	No errors

7.3 I²C Memory Load Control and Data Registers (0x04 and 0x05)

Registers 0x04 (Table 7-3) and 0x05 (Table 7-4) allow the user to download TAS3108/TAS3108IA program code and data directly from the system I²C controller. This mode is called the I²C slave mode (from the TAS3108/TAS3108IA point-of-view). See the *TAS3108/TAS3108IA Firmware Programmer's Guide* (SLEU067) for more details.

Table 7-3. TAS3108/TAS3108IA Memory Load Control Register (0x04)

BYTE	DATA BLOCK FORMAT	SIZE	NOTES
1–2	Checksum code	2 bytes	Checksum of bytes 2 through N + 8. If this is a termination header, this value is 0000.
3–4	Memory to be loaded	2 bytes	0 Microprocessor program memory 1 Microprocessor external data memory 2 Audio DSP core program memory 3 Audio DSP core coefficient memory 4 Audio DSP core data memory 5–15 Reserved for future expansion
5	Unused	1 byte	Reserved for future expansion
6–7	Starting TAS3108/TAS3108IA memory address	2 bytes	If this is a termination header – this value is 0000.
7–8	Number of data bytes to be transferred	2 bytes	If this is a termination header – this value is 0000.

Table 7-4. TAS3108/TAS3108IA Memory Load Data Register (0x05)

BYTE	8-BIT DATA	28-BIT DATA	48-BIT DATA	54-BIT DATA
1	Datum 1 D7–D0	0000 D27–D24	0000 0000	0000 0000
2	Datum 2 D7–D0	D7–D0	0000 0000	00 D53–D48
3	Datum 3 D7–D0	D15–D8	D47–D40	D47–D40
4	Datum 4 D7–D0	D7–D0	D39–D32	D39–D32
5	Datum 5 D7–D0	0000 D27–D24	D31–D24	D31–D24
6	Datum 6 D7–D0	D23–D16	D23–D16	D23–D16
7	Datum 7 D7–D0	D15–D8	D15–D8	D15–D8
8	Datum 8 D7–D0	D7–D0	D7–D0	D7–D0

7.4 Memory Access Registers (0x06 and 0x07)

Registers 0x06 (Table 7-5) and 0x07 (Table 7-6) allow the user to access the internal resources of the TAS3108/TAS3108IA. See *TAS3108/TAS3108IA Firmware Programmer's Guide* (SLEU067) for more details.

Table 7-5. Memory Select and Address Register (0x06)

D31	D30	D29	D28	D27	D26	D25	D24	DESCRIPTION
–	–	–	–	–	–	–	–	Unused
D23	D22	D21	D20	D19	D18	D17	D16	DESCRIPTION
0	0	0	0	0	0	0	1	Audio DSP core coefficient memory select
0	0	0	0	0	0	1	0	Audio DSP core data memory select
0	0	0	0	0	0	1	1	Reserved
0	0	0	0	0	1	0	0	Microprocessor internal data memory select
0	0	0	0	0	1	0	1	Microprocessor external data memory select
0	0	0	0	0	1	1	0	SFR select
0	0	0	0	0	1	1	1	Microprocessor program RAM select
0	0	0	0	1	0	0	0	Audio DSP core program RAM select
D15	D14	D13	D12	D11	D10	D9	D8	DESCRIPTION
A0	A1	A2	A3	A4	A5	A6	A7	Memory address
D7	D6	D5	D4	D3	D2	D1	D0	DESCRIPTION
A8	A9	A10	A11	A12	A13	A14	A15	Memory address

Table 7-6. Data Register (Peek and Poke) (0x07)

D63	D62	D61	D60	D59	D58	D57	D56	DESCRIPTION
D63	D62	D61	D60	D59	D58	D57	D56	Data to be written or read
D55	D54	D53	D52	D51	D50	D49	D48	DESCRIPTION
D55	D54	D53	D52	D51	D50	D49	D48	Data to be written or read
D47	D46	D45	D44	D43	D42	D41	D40	DESCRIPTION
D47	D46	D45	D44	D43	D42	D41	D40	Data to be written or read
D39	D38	D37	D36	D35	D34	D33	D32	DESCRIPTION
D39	D38	D37	D36	D35	D34	D33	D32	Data to be written or read
D31	D30	D29	D28	D27	D26	D25	D24	DESCRIPTION
D31	D30	D29	D28	D27	D26	D25	D24	Data to be written or read
D23	D22	D21	D20	D19	D18	D17	D16	DESCRIPTION
D23	D22	D21	D20	D19	D18	D17	D16	Data to be written or read
D15	D14	D13	D12	D11	D10	D9	D8	DESCRIPTION
D15	D14	D13	D12	D11	D10	D9	D8	Data to be written or read
D7	D6	D5	D4	D3	D2	D1	D0	DESCRIPTION
D7	D6	D5	D4	D3	D2	D1	D0	Data to be written or read

8 Electrical Specifications

8.1 Absolute Maximum Ratings Over Operating Temperature Range (unless otherwise noted)⁽¹⁾

Supply voltage range, DVDD		–0.5 V to 3.8 V	
Supply voltage, AVDD		–0.5 V to 3.8 V	
V _I	Input voltage range	3.3-V TTL	–0.5 V to DVDD + 0.5 V
		1.8 V LVCMOS (XTLI)	–0.5 V to 2.3 V
V _O	Output voltage range	3.3 V TTL	–0.5 V to DVDD + 0.5 V
		1.8 V LVCMOS (XTLO)	–0.5 V to 2.3V ⁽²⁾
I _{IK}	Input clamp current (V _I < 0 or V _I > DVDD)		±20 μA
I _{OK}	Output clamp current (V _O < 0 or V _O > DVDD)		±20 μA
T _A	TAS3108 operating free-air temperature		0°C to 70°C
	TAS3108IA operating free-air temperature		–40°C to 105°C
T _{stg}	Storage temperature range		–65°C to 150°C

- (1) Stresses beyond those listed under "absolute maximum ratings" may cause permanent damage to the device. These are stress ratings only, and functional operation of the device at these or any other conditions beyond those indicated under "recommended operating conditions" is not implied. Exposure to absolute-maximum-rated conditions for extended periods may affect device reliability.
- (2) Pin XTALO is the only TAS3108/TAS3108IA output that is derived from the internal 1.8-V logic supply. The absolute maximum rating listed is for reference; only a crystal should be connected to XTALO.

8.2 Package Dissipation Ratings (TAS3108/TAS3108IA)

PACKAGE			TAS3108IA ⁽¹⁾		TAS3108 ⁽²⁾	
TYPE	PIN COUNT	DESIGNATOR	θ _{JA} (°C/W)	θ _{JC} (°C/W)	θ _{JA} (°C/W)	θ _{JC} (°C/W)
TSSOP	38	DCP	27.41	0.72	52.93	0.72

- (1) Use 2 oz. trace and thermal pad with solder
 (2) Use 2 oz. trace and thermal pad without solder

See *Application Information*, [Section 9](#), for PCB recommendations for TAS3108IA applications.

8.3 Recommended Operating Conditions (TAS3108/TAS3108IA)

			MIN	NOM	MAX	UNIT
Digital supply voltage, DVDD			3	3.3	3.6	V
V _{IH}	High-level input voltage	3.3 V TTL	2			V
		1.8 V LVCMOS (XTL_IN)	1.2			
V _{IL}	Low-level input voltage	3.3 V TTL	0.8			V
		1.8 V LVCMOS (XTL_IN)	0.5			
T _A	Operating ambient air temperature	TAS3108	0	25	70	°C
		TAS3108IA	–40	25	105	
T _J	Operating junction temperature	TAS3108	0			°C
		TAS3108IA	–40			

8.4 Electrical Characteristics (TAS3108/TAS3108IA)

over recommended operating conditions (unless otherwise noted)

PARAMETER		TEST CONDITIONS	MIN	TYP	MAX	UNIT
V _{OH}	High-level output voltage	3.3-V TTL		2.4		V
		1.8-V LVCMOS (XTL_OUT)	I _{OH} = -0.55 mA	1.44		
V _{OL}	Low-level output voltage	3.3-V TTL	I _{OL} = 4 mA		0.5	V
		1.8-V LVCMOS (XTL_OUT)	I _{OL} = 0.75 mA		0.4	
I _{OZ}	High-impedance output current	3.3-V TTL	V _I = V _{IL}		±20	μA
I _{IL}	Low-level input current	3.3-V TTL	V _I = V _{IL}		±1	μA
		1.8-V LVCMOS (XTL_IN)	V _I = V _{IL}		±1	
I _{IH}	High-level input current	3.3-V TTL	V _I = V _{IH}		±1	μA
		1.8-V LVCMOS (XTL_IN)	V _I = V _{IH}		±1	
I _{DVDD}	Digital supply current	Normal operation	MCLKI = 24.576 MHz, LRCLK = 192 kHz		110	mA
			MCLKI = 12.288 MHz, LRCLK = 48 kHz		100	
			MCLKI = 8.192 MHz, LRCLK = 32 kHz		70	
		Power down enabled	LRCLK, SCLK, MCLKI running		16	
I _{A_DVDD}	Analog supply current	Normal operation	MCLKI = 24.576 MHz, LRCLK = 192 kHz		3	mA
		Power down enabled	LRCLK, SCLK, MCLKI running		2	mA

8.5 Timing Characteristics

The following sections describe the timing characteristics of the TAS3108/TAS3108IA.

8.5.1 Master Clock Signals (TAS3108/TAS3108IA)

over recommended operating conditions (unless otherwise noted)

PARAMETER		TEST CONDITIONS	MIN	TYP	MAX	UNIT
$f_{(XTALI)}$	Frequency, XTALI (1/ $t_{c(1)}$)	See ⁽¹⁾	6 ⁽²⁾		20 ⁽²⁾	MHz
$t_{c(1)}$	Cycle time, XTALI		50 ⁽²⁾		166 ⁽²⁾	ns
$f_{(MCLKI)}$	Frequency, MCLKI (1/ $t_{c(2)}$)		6 ⁽²⁾		25	MHz
$t_{w(MCLKI)}$	Pulse duration, MCLKI high	See ⁽³⁾	0.4 $t_{c(2)}$	0.5 $t_{c(2)}$	0.6 $t_{c(2)}$	ns
	MCLKI jitter				±5 ⁽²⁾	ns
$f_{(MCLKO)}$	Frequency, MCLKO (1/ $t_{c(3)}$)		6 ⁽²⁾		25 ⁽²⁾	MHz
$t_{r(MCLKO)}$	Rise time, MCLKO	$C_L = 30$ pF			15 ⁽²⁾	ns
$t_{f(MCLKO)}$	Fall time, MCLKO	$C_L = 30$ pF			15 ⁽²⁾	ns
$t_{w(MCLKO)}$	Pulse duration, MCLKO high	See ⁽⁴⁾		H_{MCLKO}		ns
MCLKO jitter	XTALI master clock source			80		ps
	MCLKI master clock source	See ⁽⁵⁾				
$t_{d(MI-MO)}$	Delay time, MCLKI rising edge to MCLKO rising edge	MCLKO = MCLKI	See ⁽⁶⁾		20 ⁽²⁾	ns
		MCLKO < MCLKI	See ⁽⁶⁾ ⁽⁷⁾		20 ⁽²⁾	

(1) Duty cycle is 50/50.

(2) This measurement is specified by design.

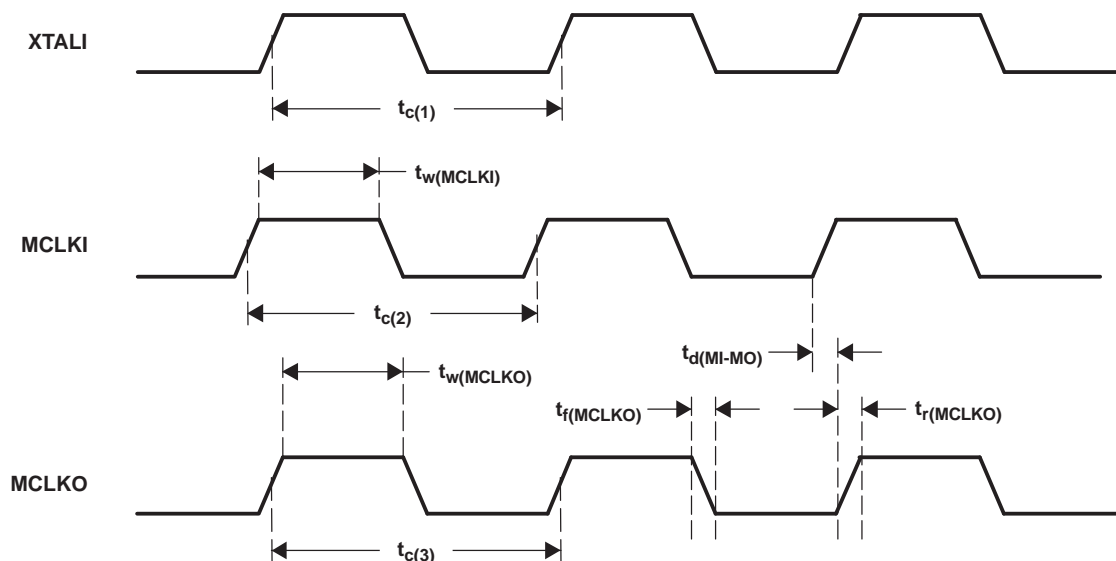
(3) Period of MCLKI = $T_{MCLKI} = 1 / f_{MCLKI}$

(4) $H_{MCLKO} = 1/(2 \times MCLKO)$. MCLKO has the same duty cycle as MCLKI when MCLKO = MCLKI. When MCLKO = 0.5 MCLKI or 0.25 MCLKI, the duty cycle of MCLKO is typically 50%.

(5) When MCLKO is derived from MCLKI, MCLKO jitter = MCLKI jitter

(6) Only applies when MCLKI is selected as master source clock

(7) Also applies to MCLKO falling edge when MCLKO = MCLKI/2 or MCLKI/4.



T0088-01

Figure 8-1. Master Clock Signal Timing Waveforms

8.5.2 Serial Audio Port Slave Mode Signals (TAS3108/TAS3108IA)

over recommended operating conditions (unless otherwise noted)

PARAMETER	TEST CONDITIONS	MIN	TYP	MAX	UNIT
f_{LRCLK}	Frequency, LRCLK (f_S)			192 ⁽¹⁾	kHz
$t_{w(SCLKIN)}$	Pulse duration, SCLKIN high	See (2)	0.5 $t_{c(SCLKIN)}$	0.6 $t_{c(SCLKIN)}$	ns
f_{SCLKIN}	Frequency, SCLKIN	See (3)		25 ⁽¹⁾	MHz
t_{pd1}	Propagation delay, SCLKIN falling edge to SDOUT			15 ⁽¹⁾	ns
t_{su1}	Setup time, LRCLK to SCLKIN rising edge		10 ⁽¹⁾		ns
t_{h1}	Hold time, LRCLK from SCLKIN rising edge		0.5 $t_{c(SCLKIN)}$		ns
t_{su2}	Setup time, SDIN to SCLKIN rising edge		10 ⁽¹⁾		ns
t_{h2}	Hold time, SDIN from SCLKIN rising edge		10 ⁽¹⁾		ns
t_{pd2}	Propagation delay, SCLKIN falling edge to SCLKOUT2 falling edge			17 ⁽¹⁾	ns

- (1) This measurement is specified by design.
- (2) Period of SCLKIN = $T_{SCLKIN} = 1/f_{SCLKIN}$
- (3) Duty cycle is 50/50.

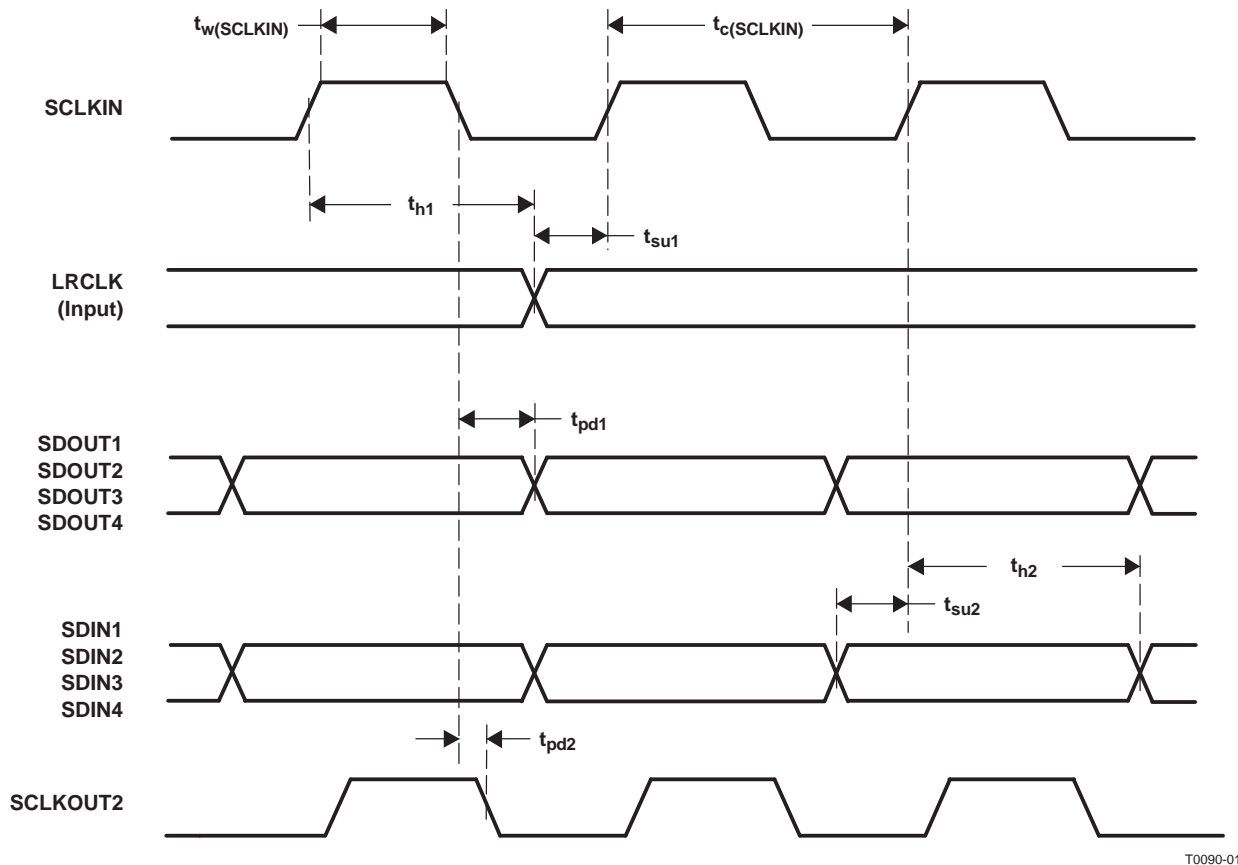


Figure 8-2. Serial Audio Port Slave Mode Timing Waveforms

T0090-01

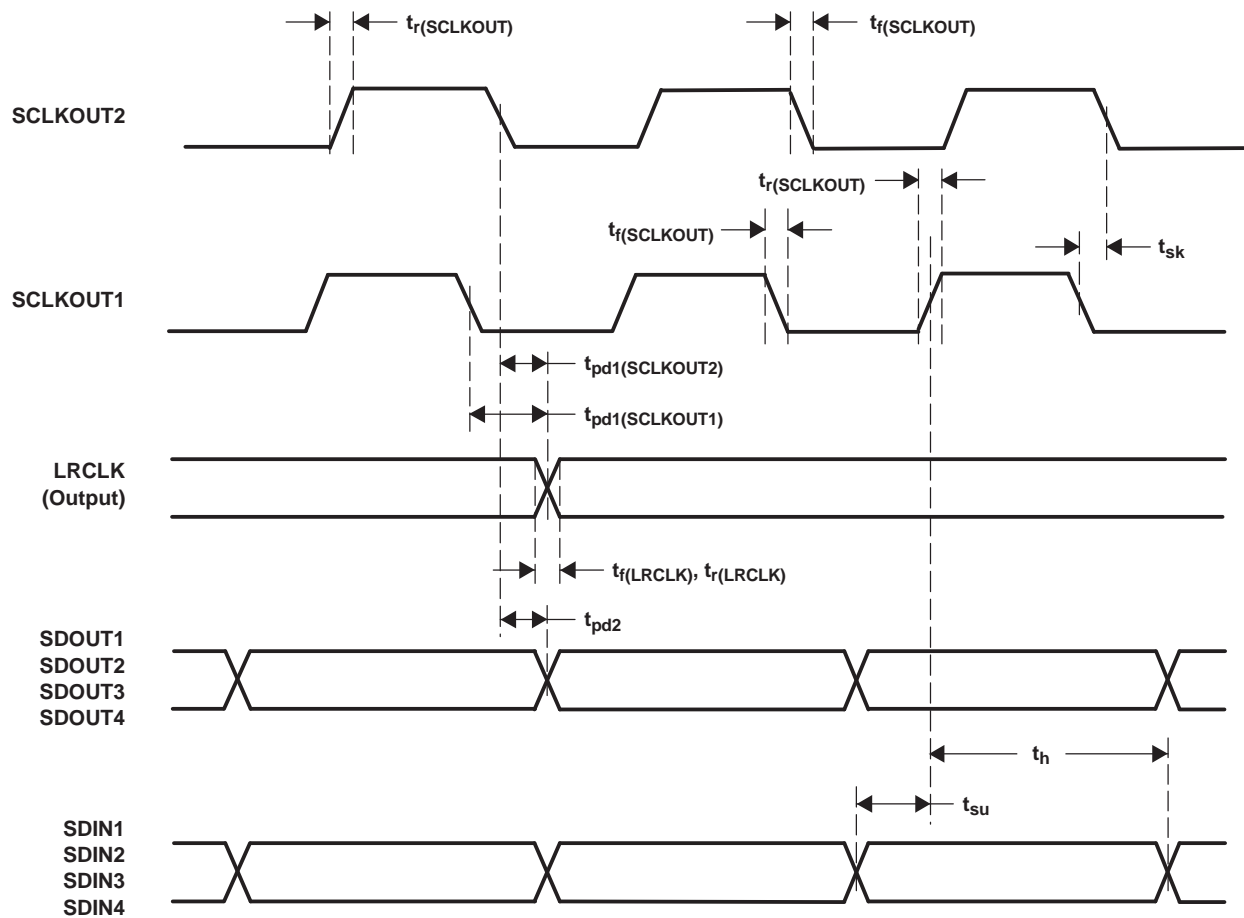
8.5.3 Serial Audio Port Master Mode Signals (TAS3108/TAS3108IA)

over recommended operating conditions (unless otherwise noted)

PARAMETER		TEST CONDITIONS	MIN	TYP	MAX	UNIT
$f_{(LRCLK)}$	Frequency LRCLK	$C_L = 30 \text{ pF}$	32 ⁽¹⁾	192 ⁽¹⁾		kHz
$t_{r(LRCLK)}$	Rise time, LRCLK ⁽²⁾	$C_L = 30 \text{ pF}$			12 ⁽¹⁾	ns
$t_{f(LRCLK)}$	Fall time, LRCLK ⁽²⁾	Duty cycle is 50/50.			12 ⁽¹⁾	ns
$f_{(SCLKOUT)}$	Frequency, SCLKOUT1/SCLKOUT2	$C_L = 30 \text{ pF}$	64 f_S ⁽¹⁾	25 ⁽¹⁾		MHz
$t_{r(SCLKOUT)}$	Rise time, SCLKOUT1/SCLKOUT2	$C_L = 30 \text{ pF}$			20 ⁽¹⁾	ns
$t_{f(SCLKOUT)}$	Fall time, SCLKOUT1/SCLKOUT2	$C_L = 30 \text{ pF}$			20 ⁽¹⁾	ns
$t_{pd1(SCLKOUT1)}$	Propagation delay, SCLKOUT1 falling edge to LRCLK edge				4 ⁽¹⁾	ns
$t_{pd1(SCLKOUT2)}$	Propagation delay, SCLKOUT2 falling edge to LRCLK edge				4 ⁽¹⁾	ns
t_{pd2}	Propagation delay, SCLKOUT2 falling edge to SDOUT				4 ⁽¹⁾	ns
t_{su}	Setup time, SDIN to SCLKOUT1 rising edge		20 ⁽¹⁾			ns
t_h	Hold time, SDIN from SCLKOUT1 rising edge		23 ⁽¹⁾			ns
$t_{(SKEW)}$	Skew time, SCLKOUT1 to SCLKOUT2				3 ⁽¹⁾	ns

(1) This measurement is specified by design.

(2) Rise time and fall time measured from 20% to 80% of maximum height of waveform.



T0091-01

Figure 8-3. TAS3108/TAS3108IA Serial Audio Port Master Mode Timing Waveforms

8.5.4 Pin-Related Characteristics of the SDA and SCL I/O Stages for F/S-Mode I²C-Bus Devices

PARAMETER	TEST CONDITIONS	STANDARD MODE		FAST MODE		UNIT	
		MIN	MAX	MIN	MAX		
V _{IL}	LOW-level input voltage	-0.5 ⁽¹⁾	0.8	-0.5 ⁽¹⁾	0.8	V	
V _{IH}	HIGH-level input voltage	2		2		V	
V _{hys}	Hysteresis of inputs	N/A	N/A	0.05 V _{DD} ⁽¹⁾		V	
V _{OL1}	LOW-level output voltage (open drain or open collector)	3-mA sink current		0	0.4 ⁽¹⁾	V	
t _{of}	Output fall time from V _{IHmin} to V _{ILmax}	Bus capacitance from 10 pF to 400 pF		250 ⁽¹⁾	7 + 0.1 C _b ⁽²⁾⁽¹⁾	250 ⁽¹⁾	ns
I _I	Input current, each I/O pin	-10	10	-10 ⁽³⁾	10 ⁽³⁾	μA	
t _{SP(SCL)}	SCL pulse duration of spikes that must be suppressed by the input filter	N/A	N/A	14 ⁽⁴⁾⁽¹⁾		ns	
t _{SP(SDA)}	SDA pulse duration of spikes that must be suppressed by the input filter	N/A	N/A	22 ⁽⁴⁾⁽¹⁾		ns	
C _I	Capacitance, each I/O pin		10 ⁽¹⁾		10 ⁽¹⁾	pF	

(1) This measurement is specified by design.

(2) C_b = capacitance of one bus line in pF. The output fall time is faster than the standard I²C specification.

(3) The I/O pins of fast-mode devices must not obstruct the SDA and SCL lines if V_{DD} is switched off.

(4) These values are valid at the 135-MHz DSP clock rate. If DSP clock is reduced by one half, the t_{SP} doubles.

NOTE

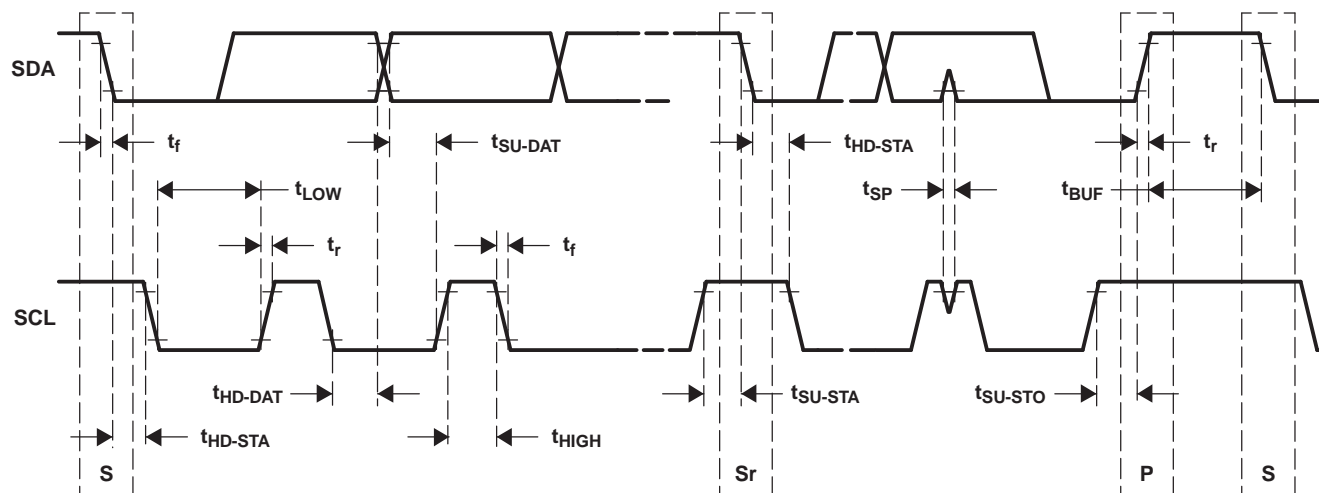
SDA does not have the standard I²C specification 300-ns internal hold time. SDA must be valid by the rising and falling edges of SCL.

8.5.5 Bus-Related Characteristics of the SDA and SCL I/O Stages for F/S-Mode I²C-Bus Devices

All values are referred to V_{IHmin} and V_{ILmax} (see Section 8.5.4).

PARAMETER	TEST CONDITIONS	STANDARD MODE		FAST MODE		UNIT
		MIN	MAX	MIN	MAX	
f_{SCL}	SCL clock frequency ⁽¹⁾	0 ⁽¹⁾	100	0 ⁽¹⁾	400 ⁽²⁾	kHz
t_{HD-STA}	Hold time (repeated) START condition. After this period, the first clock pulse is generated.	4 ⁽¹⁾		0.6 ⁽¹⁾		μ s
t_{LOW}	LOW period of the SCL clock	4.7 ⁽¹⁾		1.3 ⁽¹⁾		μ s
t_{HIGH}	HIGH period of the SCL clock	4 ⁽¹⁾		0.6 ⁽¹⁾		μ s
t_{SU-STA}	Setup time for repeated START	4.7 ⁽¹⁾		0.6 ⁽¹⁾		μ s
t_{SU-DAT}	Data setup time	250 ⁽¹⁾		100 ⁽¹⁾		ns
t_{HD-DAT}	Data hold time ⁽³⁾⁽⁴⁾	0 ⁽¹⁾	3.45 ⁽¹⁾	0 ⁽¹⁾	0.9 ⁽¹⁾	μ s
t_r	Rise time of both SDA and SCL signals		1000 ⁽¹⁾	$20 + 0.1 C_b^{(5)(1)}$	300 ⁽¹⁾	ns
t_f	Fall time of both SDA and SCL		300 ⁽¹⁾	$20 + 0.1 C_b^{(5)(1)}$	300 ⁽¹⁾	ns
t_{SU-STO}	Setup time for STOP condition	4 ⁽¹⁾		0.6 ⁽¹⁾		μ s
t_{BUF}	Bus free time between a STOP and START condition	4.7 ⁽¹⁾		1.3 ⁽¹⁾		μ s
C_b	Capacitive load for each bus line		400 ⁽¹⁾		400 ⁽¹⁾	pF
V_{nL}	Noise margin at the LOW level for each connected device (including hysteresis)	0.1 $V_{DVDD}^{(1)}$		0.1 $V_{DVDD}^{(1)}$		V
V_{nH}	Noise margin at the HIGH level for each connected device (including hysteresis)	0.2 $V_{DVDD}^{(1)}$		0.2 $V_{DVDD}^{(1)}$		V

- (1) This measurement is specified by design.
- (2) In master mode, the maximum speed is 375 kHz.
- (3) Note that SDA does not have the standard I²C specification 300-ns internal hold time. SDA must be valid by the rising and falling edges of SCL. TI recommends that a 2-k Ω pullup resistor be used to avoid potential timing issues.
- (4) A fast-mode I²C-bus device can be used in a standard-mode I²C-bus system, but the requirement $t_{SU-DAT} \geq 250$ ns must then be met. This is automatically the case if the device does not stretch the LOW period of the SCL signal. If such a device does stretch the LOW period of the SCL signal, it must output the next data bit to the SDA line $t_{r-max} + t_{SU-DAT} = 1000 + 250 = 1250$ ns (according to the standard-mode I²C bus specification) before the SCL line is released.
- (5) C_b = total capacitance of one bus line in pF.



T0114-01

Figure 8-4. Start and Stop Conditions Timing Waveforms

8.5.5.1 Recommended I²C Pullup Resistors

It is recommended that the I²C pullup resistors R_P be 4.7 k Ω (see Figure 8-5). If a series resistor is in the circuit (see Figure 8-6), then the series resistor R_S should be less than or equal to 300 Ω .

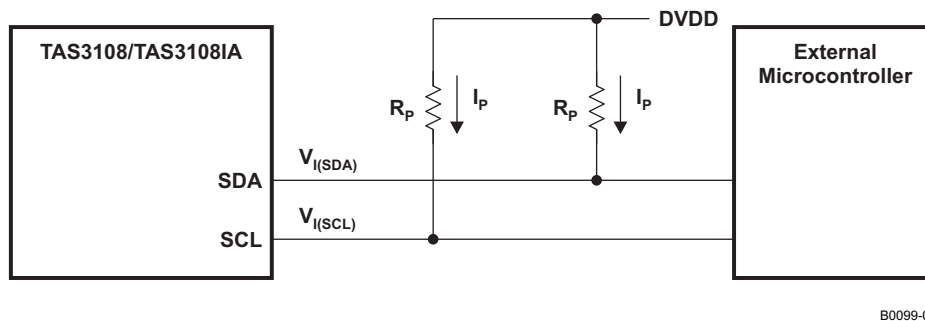
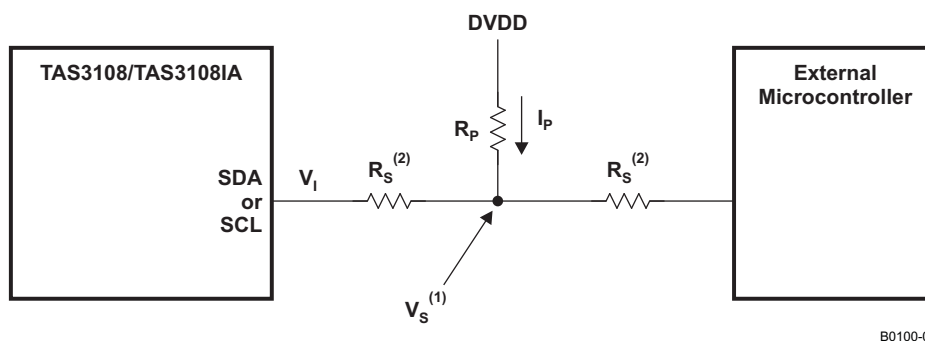


Figure 8-5. I²C Pullup Circuit (With No Series Resistor)



(1) $V_S = DVDD \times R_S / (R_S + R_P)$. When driven low, $V_S \ll V_{IL}$ requirements.

(2) $R_S \leq 300 \Omega$

Figure 8-6. I²C Pullup Circuit (With Series Resistor)

8.5.6 Reset Timing (TAS3108/TAS3108IA)

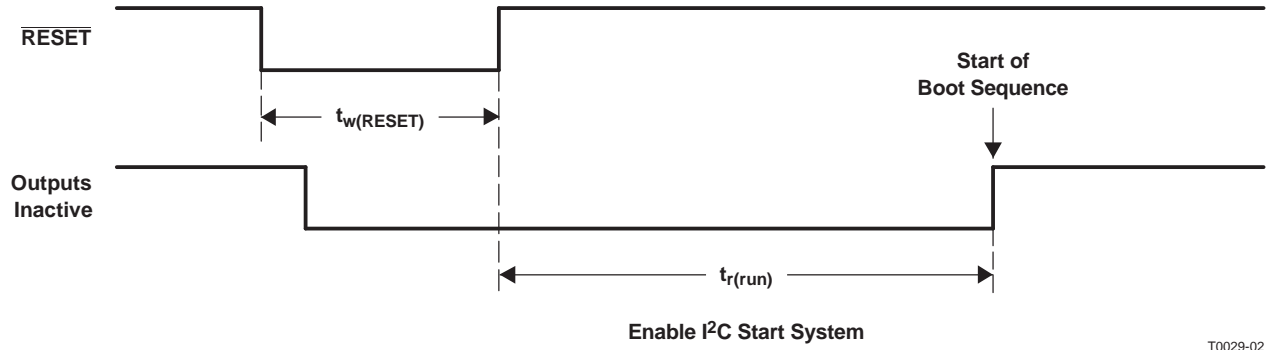
control signal parameters over recommended operating conditions; these measurements are specified by design (unless otherwise noted)

PARAMETER	TEST CONDITIONS	MIN	MAX	UNIT
$t_{w(RESSET)}$ Pulse duration, RESET active		$10^{(1)}$		ns
$t_{r(run)}$ Time to enable I ² C	PLL0 = PLL1 = MICROCLK_DIV = 0	$10^{(1)}$		ms

(1) This measurement is specified by design.

TAS3108, TAS3108IA
AUDIO DIGITAL SIGNAL PROCESSORS

SLES152B–OCTOBER 2005–REVISED NOVEMBER 2007



T0029-02

NOTE: MCLK input = 12.288 MHz

Figure 8-7. Reset Timing

9 Application Information

9.1 Schematics

Figure 9-1 shows a typical TAS3108/TAS3108IA application. In this application, the following conditions apply:

- TAS3108/TAS3108IA is in clock-slave mode. The audio (SDIN1, SDIN2, SDIN3, SDIN4) and clock source (MCLKI) are external.
- MCLKI = 12.288 MHz
- Because MCLKI is sourced externally, the TAS3108/TAS3108IA crystal interface is not used. MCLKI and XTALI are logically ORed together, meaning that when the MCLKI pin is used, the XTALI pin must be grounded.
- I²C register 0x00 contains the default settings which means:
 - Audio data word size is 24-bit input and 24-bit output.
 - Serial data format is 2 channel, I²S for input and output.
 - I²C data transfer is approximately 400 kbps for both master and slave I²C interfaces.
 - PLL0 = PLL1 = PLL2 = 0 means that f_{DSPCLK} is $11 \times \text{MCLKI} = 135.2 \text{ MHz}$ and that $f_{\text{I2CSCL}} = 375 \text{ kHz}$.
 - Sample frequency (f_{S}) is 48 kHz, which requires that $f_{\text{LRCLK}} = 48 \text{ kHz}$ and $f_{\text{SCLKIN}} = 3.072 \text{ MHz}$.
- Application code and data are loaded from an external EEPROM using the master I²C interface.
- Application commands come from the system microprocessor to the TAS3108/TAS3108IA using the slave I²C interface.

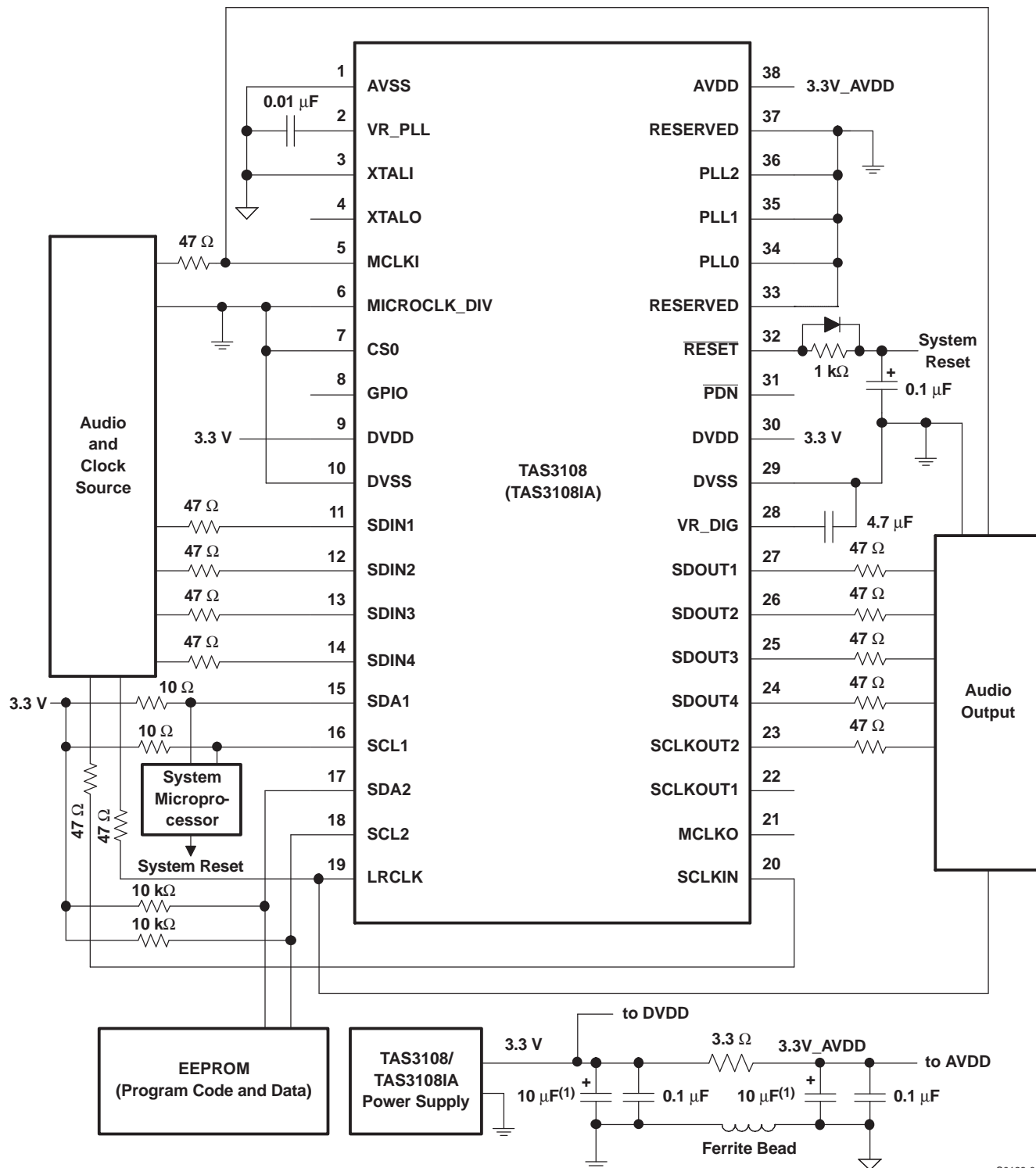
Good design practice requires isolation between the digital and analog power as shown. Power-supply capacitors of 10 μF and 0.1 μF should be placed near the power-supply pins AVDD (AVSS) and DVDD (DVSS).

The TAS3108/TAS3108IA reset needs external glitch protection. Also, reset going HIGH should be delayed until TAS3108/TAS3108IA internal power is good ($\sim 200 \mu\text{s}$). This is provided by the 1-k Ω resistor, 1- μF capacitor, and diode placed near the $\overline{\text{RESET}}$ pin.

It is recommended that a 4.7- μF capacitor (fast ceramic type) be placed near pin 28 (VR_DIG). This pin must not be used to source external components.

TAS3108, TAS3108IA
AUDIO DIGITAL SIGNAL PROCESSORS

SLES152B—OCTOBER 2005—REVISED NOVEMBER 2007

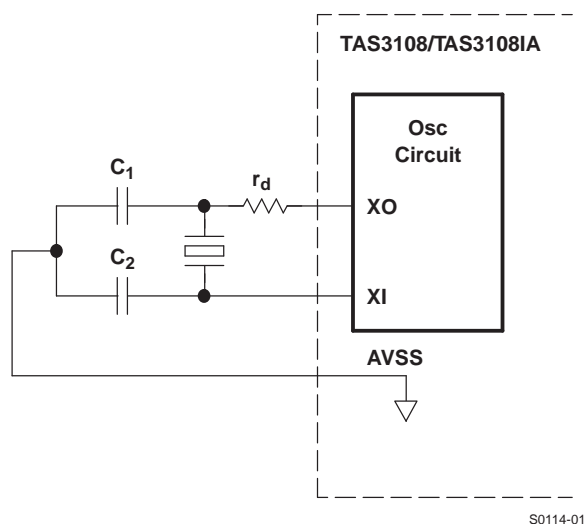


(1) Capacitors should be placed as close as possible to the power-supply pins.

Figure 9-1. Typical Application Diagram

S0123-01

9.2 Recommended Oscillator Circuit



- MCLKI and XTALI are logically ORed together, meaning that when the XTALI pin is used, the MCLKI pin must be grounded.
- Crystal type = Parallel-mode, fundamental-mode crystal
- r_d = Drive-level control resistor – vendor specified
- C_L = Crystal load capacitance (capacitance of circuitry between the two terminals of the crystal)
- $C_L = (C_1 \times C_2) / (C_1 + C_2) + C_S$ (where C_S = board stray capacitance, ~2 pF)

9.3 Recommended PCB Design for TAS3108IA Applications

Automotive applications require that the TAS3108IA operates properly while in an ambient temperature range of -40°C to 105°C . Under the high-temperature condition of 105°C ambient, the TAS3108IA thermal pad must be soldered to a copper area on the PCB designed for thermal relief.

High-temperature applications also require that the application be built on a high-K dielectric PCB.

High-K dielectric PCB requirements for using TAS3108IA with soldered thermal pad:

- 0.062 in thick
- Minimum 3-in \times 3-in PCB
- 2-oz copper traces located on top of the board (0,071 mm thick)
- Copper area located on the top and bottom of the PCB for soldering
- Power and ground planes, 1-oz. copper (0,036 mm thick)
- Thermal vias, 0.3-mm diameter, 1.5-mm pitch
- Thermal isolation of power plane

If the target application limits the ambient temperature to 0°C to 70°C (standard commercial temperature range), the thermal pad does not need to be soldered to the PCB.

For more information, see *PowerPAD™ Thermally Enhanced Package* ([SLMA002](#)) and *PowerPAD™ Made Easy* ([SLMA004](#)).

PACKAGING INFORMATION

Orderable Device	Status ⁽¹⁾	Package Type	Package Drawing	Pins	Package Qty	Eco Plan ⁽²⁾	Lead/ Ball Finish	MSL Peak Temp ⁽³⁾	Samples (Requires Login)
TAS3108DCP	NRND	HTSSOP	DCP	38	50	Green (RoHS & no Sb/Br)	CU NIPDAU	Level-3-260C-168 HR	
TAS3108DCPG4	NRND	HTSSOP	DCP	38	50	Green (RoHS & no Sb/Br)	CU NIPDAU	Level-3-260C-168 HR	
TAS3108DCPR	NRND	HTSSOP	DCP	38	2000	Green (RoHS & no Sb/Br)	CU NIPDAU	Level-3-260C-168 HR	
TAS3108DCPRG4	NRND	HTSSOP	DCP	38	2000	Green (RoHS & no Sb/Br)	CU NIPDAU	Level-3-260C-168 HR	
TAS3108IADCP	NRND	HTSSOP	DCP	38	50	Green (RoHS & no Sb/Br)	CU NIPDAU	Level-3-260C-168 HR	
TAS3108IADCPG4	NRND	HTSSOP	DCP	38	50	Green (RoHS & no Sb/Br)	CU NIPDAU	Level-3-260C-168 HR	
TAS3108IADCPR	NRND	HTSSOP	DCP	38	2000	Green (RoHS & no Sb/Br)	CU NIPDAU	Level-3-260C-168 HR	
TAS3108IADCPRG4	NRND	HTSSOP	DCP	38	2000	Green (RoHS & no Sb/Br)	CU NIPDAU	Level-3-260C-168 HR	

⁽¹⁾ The marketing status values are defined as follows:

ACTIVE: Product device recommended for new designs.

LIFEBUY: TI has announced that the device will be discontinued, and a lifetime-buy period is in effect.

NRND: Not recommended for new designs. Device is in production to support existing customers, but TI does not recommend using this part in a new design.

PREVIEW: Device has been announced but is not in production. Samples may or may not be available.

OBSOLETE: TI has discontinued the production of the device.

⁽²⁾ Eco Plan - The planned eco-friendly classification: Pb-Free (RoHS), Pb-Free (RoHS Exempt), or Green (RoHS & no Sb/Br) - please check <http://www.ti.com/productcontent> for the latest availability information and additional product content details.

TBD: The Pb-Free/Green conversion plan has not been defined.

Pb-Free (RoHS): TI's terms "Lead-Free" or "Pb-Free" mean semiconductor products that are compatible with the current RoHS requirements for all 6 substances, including the requirement that lead not exceed 0.1% by weight in homogeneous materials. Where designed to be soldered at high temperatures, TI Pb-Free products are suitable for use in specified lead-free processes.

Pb-Free (RoHS Exempt): This component has a RoHS exemption for either 1) lead-based flip-chip solder bumps used between the die and package, or 2) lead-based die adhesive used between the die and leadframe. The component is otherwise considered Pb-Free (RoHS compatible) as defined above.

Green (RoHS & no Sb/Br): TI defines "Green" to mean Pb-Free (RoHS compatible), and free of Bromine (Br) and Antimony (Sb) based flame retardants (Br or Sb do not exceed 0.1% by weight in homogeneous material)

⁽³⁾ MSL, Peak Temp. -- The Moisture Sensitivity Level rating according to the JEDEC industry standard classifications, and peak solder temperature.

Important Information and Disclaimer: The information provided on this page represents TI's knowledge and belief as of the date that it is provided. TI bases its knowledge and belief on information provided by third parties, and makes no representation or warranty as to the accuracy of such information. Efforts are underway to better integrate information from third parties. TI has taken and continues to take reasonable steps to provide representative and accurate information but may not have conducted destructive testing or chemical analysis on incoming materials and chemicals. TI and TI suppliers consider certain information to be proprietary, and thus CAS numbers and other limited information may not be available for release.

In no event shall TI's liability arising out of such information exceed the total purchase price of the TI part(s) at issue in this document sold by TI to Customer on an annual basis.

TAPE AND REEL INFORMATION

REEL DIMENSIONS



TAPE DIMENSIONS



A0	Dimension designed to accommodate the component width
B0	Dimension designed to accommodate the component length
K0	Dimension designed to accommodate the component thickness
W	Overall width of the carrier tape
P1	Pitch between successive cavity centers

TAPE AND REEL INFORMATION

*All dimensions are nominal

Device	Package Type	Package Drawing	Pins	SPQ	Reel Diameter (mm)	Reel Width W1 (mm)	A0 (mm)	B0 (mm)	K0 (mm)	P1 (mm)	W (mm)	Pin1 Quadrant
TAS3108DCPR	HTSSOP	DCP	38	2000	330.0	16.4	6.9	10.2	1.8	12.0	16.0	Q1
TAS3108IADCPR	HTSSOP	DCP	38	2000	330.0	16.4	6.9	10.2	1.8	12.0	16.0	Q1

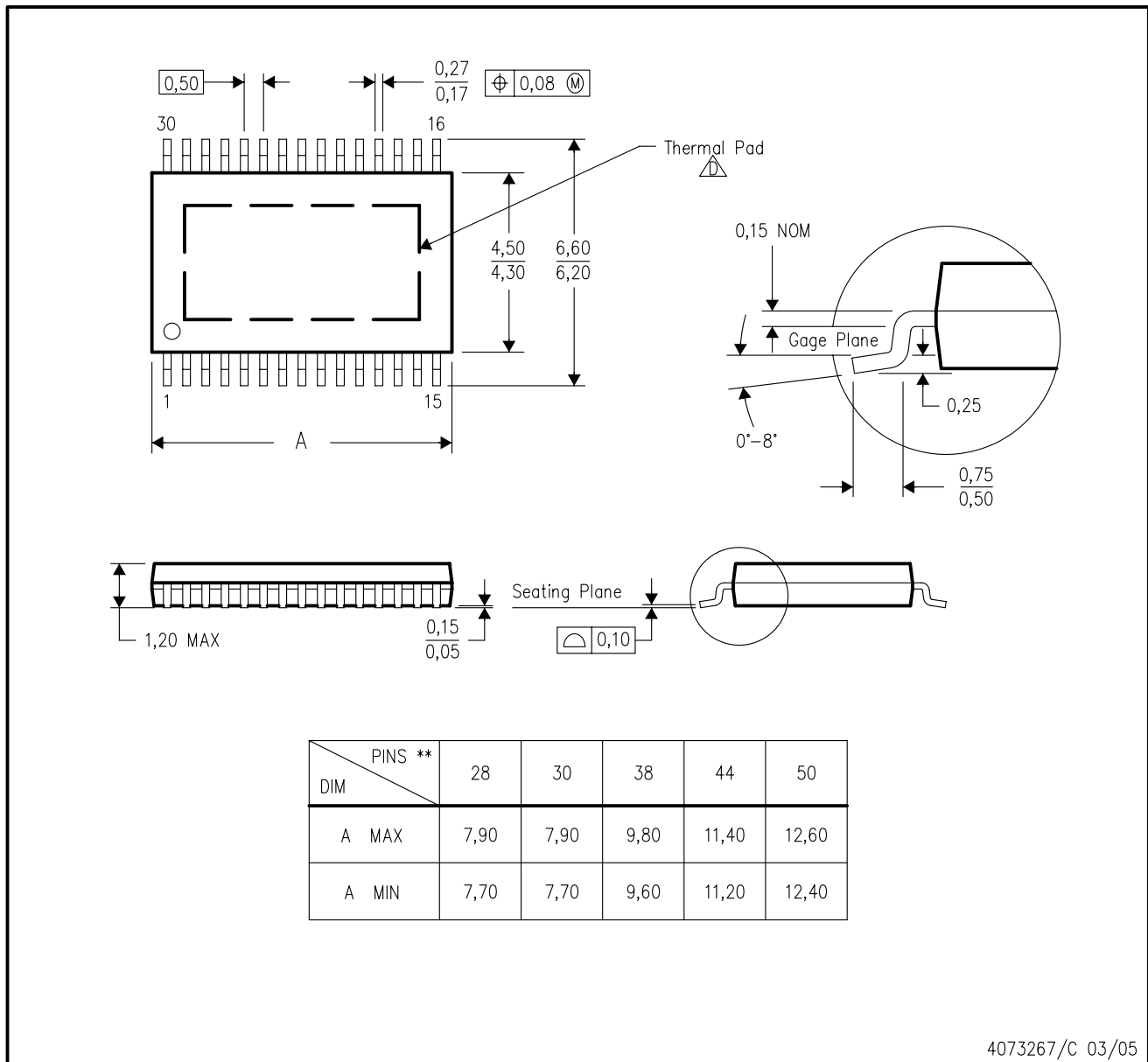
TAPE AND REEL BOX DIMENSIONS


*All dimensions are nominal

Device	Package Type	Package Drawing	Pins	SPQ	Length (mm)	Width (mm)	Height (mm)
TAS3108DCPR	HTSSOP	DCP	38	2000	367.0	367.0	38.0
TAS3108IADCPR	HTSSOP	DCP	38	2000	367.0	367.0	38.0

DCP (R-PDSO-G**) 30 PIN SHOWN

PowerPAD™ PLASTIC SMALL-OUTLINE PACKAGE



- NOTES:
- A. All linear dimensions are in millimeters.
 - B. This drawing is subject to change without notice.
 - C. Body dimensions do not include mold flash or protrusions, mold flash not to exceed 0.15mm.
 - △ This package is designed to be soldered to a thermal pad on the board. Refer to Technical Brief, PowerPAD Thermally Enhanced Package, Texas Instruments Literature No. SLMA002 for information regarding recommended board layout. This document is available at www.ti.com. See the product data sheet for details regarding the exposed thermal pad dimensions.
 - E. Falls within JEDEC MO-153

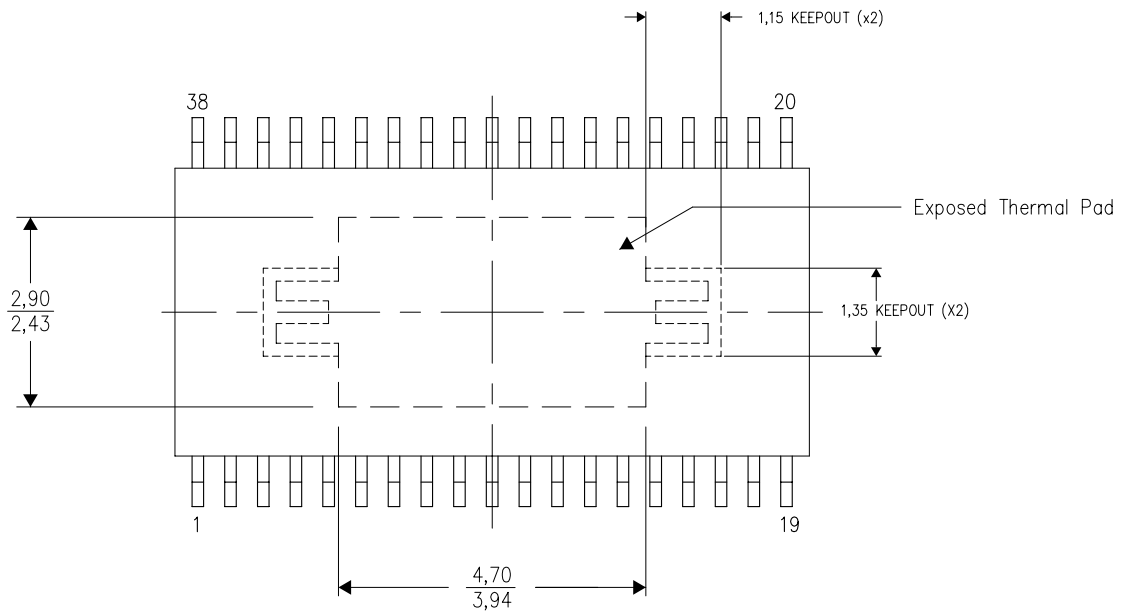
PowerPAD is a trademark of Texas Instruments.

THERMAL INFORMATION

This PowerPAD™ package incorporates an exposed thermal pad that is designed to be attached to a printed circuit board (PCB). The thermal pad must be soldered directly to the PCB. After soldering, the PCB can be used as a heatsink. In addition, through the use of thermal vias, the thermal pad can be attached directly to the appropriate copper plane shown in the electrical schematic for the device, or alternatively, can be attached to a special heatsink structure designed into the PCB. This design optimizes the heat transfer from the integrated circuit (IC).

For additional information on the PowerPAD package and how to take advantage of its heat dissipating abilities, refer to Technical Brief, PowerPAD Thermally Enhanced Package, Texas Instruments Literature No. SLMA002 and Application Brief, PowerPAD Made Easy, Texas Instruments Literature No. SLMA004. Both documents are available at www.ti.com.

The exposed thermal pad dimensions for this package are shown in the following illustration.

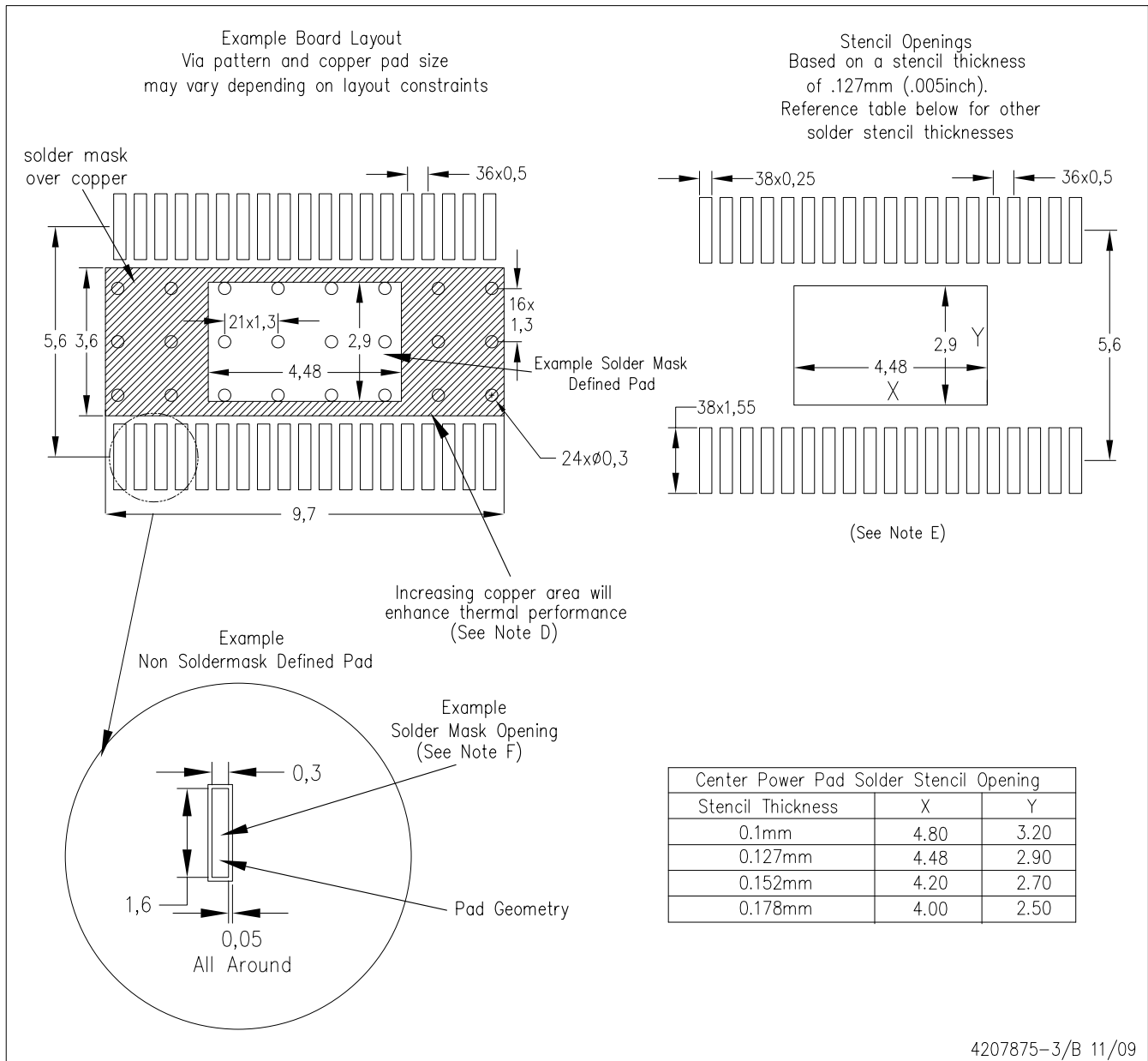


Top View

NOTE: All linear dimensions are in millimeters

Exposed Thermal Pad Dimensions

DCP (R-PDSO-G38) PowerPAD™



- NOTES:
- All linear dimensions are in millimeters.
 - This drawing is subject to change without notice.
 - Customers should place a note on the circuit board fabrication drawing not to alter the center solder mask defined pad.
 - This package is designed to be soldered to a thermal pad on the board. Refer to Technical Brief, PowerPad Thermally Enhanced Package, Texas Instruments Literature No. SLMA002, SLMA004, and also the Product Data Sheets for specific thermal information, via requirements, and recommended board layout. These documents are available at www.ti.com <<http://www.ti.com>>. Publication IPC-7351 is recommended for alternate designs.
 - Laser cutting apertures with trapezoidal walls and also rounding corners will offer better paste release. Customers should contact their board assembly site for stencil design recommendations. Example stencil design based on a 50% volumetric metal load solder paste. Refer to IPC-7525 for other stencil recommendations.
 - Customers should contact their board fabrication site for solder mask tolerances between and around signal pads.

PowerPAD is a trademark of Texas Instruments.

IMPORTANT NOTICE

Texas Instruments Incorporated and its subsidiaries (TI) reserve the right to make corrections, enhancements, improvements and other changes to its semiconductor products and services per JESD46C and to discontinue any product or service per JESD48B. Buyers should obtain the latest relevant information before placing orders and should verify that such information is current and complete. All semiconductor products (also referred to herein as "components") are sold subject to TI's terms and conditions of sale supplied at the time of order acknowledgment.

TI warrants performance of its components to the specifications applicable at the time of sale, in accordance with the warranty in TI's terms and conditions of sale of semiconductor products. Testing and other quality control techniques are used to the extent TI deems necessary to support this warranty. Except where mandated by applicable law, testing of all parameters of each component is not necessarily performed.

TI assumes no liability for applications assistance or the design of Buyers' products. Buyers are responsible for their products and applications using TI components. To minimize the risks associated with Buyers' products and applications, Buyers should provide adequate design and operating safeguards.

TI does not warrant or represent that any license, either express or implied, is granted under any patent right, copyright, mask work right, or other intellectual property right relating to any combination, machine, or process in which TI components or services are used. Information published by TI regarding third-party products or services does not constitute a license to use such products or services or a warranty or endorsement thereof. Use of such information may require a license from a third party under the patents or other intellectual property of the third party, or a license from TI under the patents or other intellectual property of TI.

Reproduction of significant portions of TI information in TI data books or data sheets is permissible only if reproduction is without alteration and is accompanied by all associated warranties, conditions, limitations, and notices. TI is not responsible or liable for such altered documentation. Information of third parties may be subject to additional restrictions.

Resale of TI components or services with statements different from or beyond the parameters stated by TI for that component or service voids all express and any implied warranties for the associated TI component or service and is an unfair and deceptive business practice. TI is not responsible or liable for any such statements.

Buyer acknowledges and agrees that it is solely responsible for compliance with all legal, regulatory and safety-related requirements concerning its products, and any use of TI components in its applications, notwithstanding any applications-related information or support that may be provided by TI. Buyer represents and agrees that it has all the necessary expertise to create and implement safeguards which anticipate dangerous consequences of failures, monitor failures and their consequences, lessen the likelihood of failures that might cause harm and take appropriate remedial actions. Buyer will fully indemnify TI and its representatives against any damages arising out of the use of any TI components in safety-critical applications.

In some cases, TI components may be promoted specifically to facilitate safety-related applications. With such components, TI's goal is to help enable customers to design and create their own end-product solutions that meet applicable functional safety standards and requirements. Nonetheless, such components are subject to these terms.

No TI components are authorized for use in FDA Class III (or similar life-critical medical equipment) unless authorized officers of the parties have executed a special agreement specifically governing such use.

Only those TI components which TI has specifically designated as military grade or "enhanced plastic" are designed and intended for use in military/aerospace applications or environments. Buyer acknowledges and agrees that any military or aerospace use of TI components which have **not** been so designated is solely at the Buyer's risk, and that Buyer is solely responsible for compliance with all legal and regulatory requirements in connection with such use.

TI has specifically designated certain components which meet ISO/TS16949 requirements, mainly for automotive use. Components which have not been so designated are neither designed nor intended for automotive use; and TI will not be responsible for any failure of such components to meet such requirements.

Products

Audio	www.ti.com/audio
Amplifiers	amplifier.ti.com
Data Converters	dataconverter.ti.com
DLP® Products	www.dlp.com
DSP	dsp.ti.com
Clocks and Timers	www.ti.com/clocks
Interface	interface.ti.com
Logic	logic.ti.com
Power Mgmt	power.ti.com
Microcontrollers	microcontroller.ti.com
RFID	www.ti-rfid.com
OMAP Mobile Processors	www.ti.com/omap
Wireless Connectivity	www.ti.com/wirelessconnectivity

Applications

Automotive and Transportation	www.ti.com/automotive
Communications and Telecom	www.ti.com/communications
Computers and Peripherals	www.ti.com/computers
Consumer Electronics	www.ti.com/consumer-apps
Energy and Lighting	www.ti.com/energy
Industrial	www.ti.com/industrial
Medical	www.ti.com/medical
Security	www.ti.com/security
Space, Avionics and Defense	www.ti.com/space-avionics-defense
Video and Imaging	www.ti.com/video

TI E2E Community e2e.ti.com