

SN75LBC968 9-CHANNEL BUS TRANSCEIVER WITH ACTIVE TERMINATION

SLLS179E – APRIL 1994 – REVISED AUGUST 2005

- **Nine Single-Ended SCSI Transceiver Channels With Active Termination**
- **Programmable Drivers Provide Active Negation (Totem Pole) or Wired-OR (Open Drain) Outputs**
- **24-mA Current-Mode Active Termination With Common Nine-Channel Bus Enable**
- **Low Output Capacitance Presented to SCSI Bus, 13.5 pF Typ**
- **3.3 V Compatible Logic Inputs Provide Bridge from 3 V Controllers to 5 V SCSI Bus**
- **Designed to Operate at 10-Million Data Transfers Per Second (Fast-SCSI)**
- **Controlled Driver Rise and Fall Times 5 ns Min**
- **High-Receiver Input-Voltage Hysteresis 500 mV Typ**
- **Receiver Input-Noise Pulse Filter 5 ns Typ**
- **Each Driver and Receiver Meets ANSI X3.131-1994 (SCSI-2) and the Proposed SCSI-3 Standards**
- **Power-Up/Power-Down Glitch Protection**
- **High Impedance Driver With V_{CC} at 0 V**

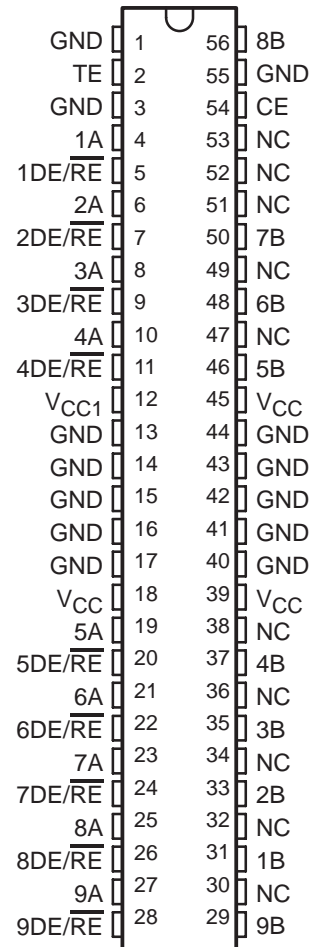
description

The SN75LBC968 is a nine-channel transceiver with active termination that drives and receives the signals from the single-ended, parallel data buses such as the Small Computer-Systems

Interface (SCSI) bus. The features of the line drivers, receivers, and active-termination circuits provide the optimum signal-to-noise ratios for reliable data transmission. Integration of the termination and transceivers in the LinBiCMOS™ process provides the necessary analog-circuit performance, has low quiescent power, and reduces the capacitance presented to the bus over separate termination and I/O circuits.

The transceivers of the SN75LBC968 can be enabled to function as totem-pole or open-drain outputs. The open-drain mode drives the wired-OR lines of SCSI (BSY, SEL, and RST) by inputting the data to the direction control input DE/RE instead of the A input. When driving the data through the A input, the outputs become totem poles and provide active signal negation for a higher voltage level on low-to-high signal transitions on heavily loaded buses. In either mode, the turnon and turnoff output transition times are limited to minimize crosstalk through capacitive coupling to adjacent lines and RF emissions from the cable. The receivers are also designed for optimum analog performance by precisely controlling the input-voltage thresholds, providing wide input-voltage hysteresis and including an input-noise filter. These features significantly increase the likelihood of detecting only the desired data signal and rejecting noise.

**DL PACKAGE
(TOP VIEW)**



NC – No internal connection



Please be aware that an important notice concerning availability, standard warranty, and use in critical applications of Texas Instruments semiconductor products and disclaimers thereto appears at the end of this data sheet.

LinBiCMOS is a trademark of Texas Instruments Incorporated.

PRODUCTION DATA information is current as of publication date. Products conform to specifications per the terms of Texas Instruments standard warranty. Production processing does not necessarily include testing of all parameters.



Copyright © 2002 – 2005, Texas Instruments Incorporated

SN75LBC968 9-CHANNEL BUS TRANSCEIVER WITH ACTIVE TERMINATION

SLLS179E – APRIL 1994 – REVISED AUGUST 2005

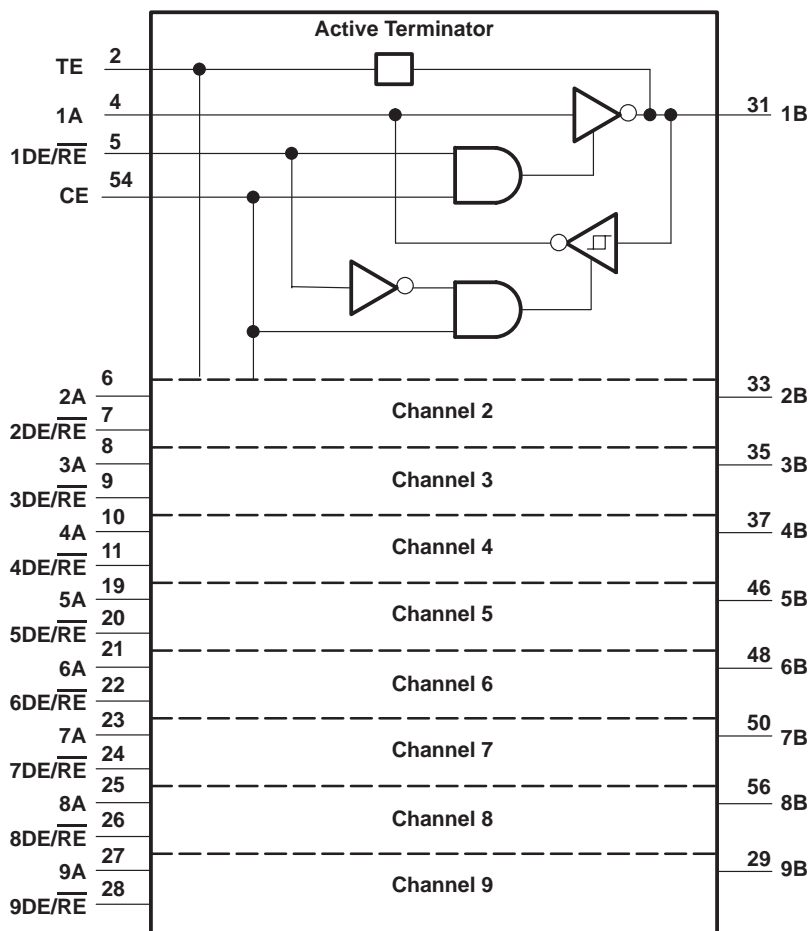
description (continued)

The communication between the SN75LBC968 and the controller can be accomplished at 3.3-V logic levels provided that the V_{CC1} input connects to the same supply rail as the controller. This provides a bridge from the lower-voltage circuit and the 5-V SCSI bus. The SN75LBC968 also removes the need for special I/O buffers (and associated power dissipation) on the controller itself. The SN75LBC968 must be used with a SCSI controller with support for Differential SCSI.

The integrated, current-mode, active termination supplies a constant 24 mA of current (TERMPWR) to the bus when the bus voltage falls below 2.5 V. This makes the next low-to-high (negation) signal transition independent of the low-level (asserted) bus voltage, unlike voltage-mode terminators. The termination current is provided through the TE input and from TERMPWR and can be disabled by letting the TE input float or by connecting it to ground. The termination circuitry is independent from the line drivers and receivers and V_{CC} or V_{CC1} . Operational termination is present as long as TERMPWR is applied.

The switching speeds of the SN75LBC968 are sufficient to transfer data over the data bus at ten million transfers per second (Fast-SCSI). The specification, $t_{sk(lim)}$, is for system skew budgeting and maintenance of bus set-up and hold times. The device is available in the space-efficient shrink-small-outline package (SSOP) with 25-mil lead pitch. The SN75LBC968 meets or exceeds the requirements of ANSI X3.131-1994 (SCSI-2) and the proposed SPI (SCSI-3) standards, and is characterized for operation from 0°C to 70°C.

logic diagram (positive logic)



SN75LBC968
9-CHANNEL BUS TRANSCEIVER
WITH ACTIVE TERMINATION

SLLS179E – APRIL 1994 – REVISED AUGUST 2005

FUNCTION TABLE

	INPUTS					OUTPUTS	
	CE	DE/RE_n	A	B	TE	A	B
Terminator	L	X	X	X	GND	Z	Z
	L	X	X	X	Open	Z	Z
	L	X	X	X	V _{TE}	Z	-24 mA
Driver	H	H	L	NA	GND	Z	H
	H	H	L	NA	Open	Z	Z
	H	H	L	NA	V _{TE}	Z	-24 mA
	H	H	H	NA	GND	Z	L
	H	H	H	NA	Open	Z	L
	H	H	H	NA	V _{TE}	Z	L
Receiver	H	L	NA	L	GND	H	Z
	H	L	NA	L	Open	H	Z
	H	L	NA	L	V _{TE}	H	-24 mA
	H	L	NA	H	GND	L	Z
	H	L	NA	H	Open	L	Z
	H	L	NA	H	V _{TE}	L	-24 mA

NOTE: Input A defaults to a high-level and input B a low-level if left open circuited.

-24 mA = current-mode termination

GND = Ground

H = High L = Low

NA = Not applicable

Open = Open circuit

V_{TE} = Termination power

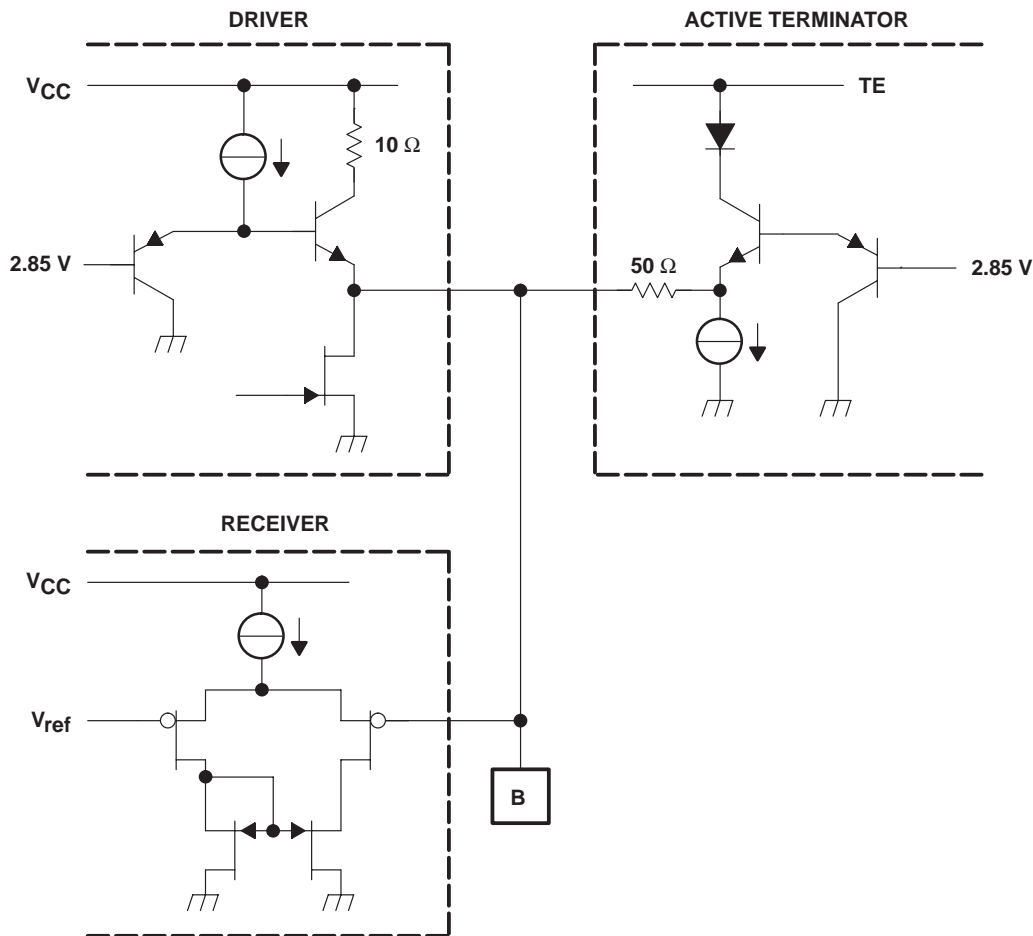
X = Don't care

Z = High-impedance

SN75LBC968 9-CHANNEL BUS TRANSCEIVER WITH ACTIVE TERMINATION

SLLS179E – APRIL 1994 – REVISED AUGUST 2005

schematics



absolute maximum ratings over operating free-air temperature range (unless otherwise noted)†

Supply voltage range, V_{CC} , V_{CC1} , V_{TE} (see Note 1)	-0.5 V to 7 V
Input voltage range, V_I (A-side)	$V_{CC1} + 0.3$ V
Bus voltage range (B-side)	-0.5 V to 7 V
Data I/O and control (A-side) voltage range	-0.5 V to 7 V
Continuous power dissipation (see Note 2)	Internally Limited
Operating free-air temperature range, T_A	0°C to 70°C
Storage temperature range, T_{stg}	65°C to 150°C
Lead temperature 1,6 mm (1/16 inch) from case for 10 seconds	260°C

† Stresses beyond those listed under “absolute maximum ratings” may cause permanent damage to the device. These are stress ratings only, and functional operation of the device at these or any other conditions beyond those indicated under “recommended operating conditions” is not implied. Exposure to absolute-maximum-rated conditions for extended periods may affect device reliability.

- NOTES: 1. All voltage values are with respect to GND.
2. The maximum operating-junction temperature is internally limited. Use the dissipation rating table to operate below this temperature.

SN75LBC968
9-CHANNEL BUS TRANSCEIVER
WITH ACTIVE TERMINATION

SLLS179E – APRIL 1994 – REVISED AUGUST 2005

DISSIPATION RATING TABLE

PACKAGE	$T_A \leq 25^\circ\text{C}$ POWER RATING	DERATING FACTOR† ABOVE $T_A = 25^\circ\text{C}$	$T_A = 70^\circ\text{C}$ POWER RATING
DL	2500 mW	20 mW/°C	1600 mW

† Derating factors are the inverse of the junction-to-ambient thermal resistance when board-mounted with no air flow.

recommended operating conditions

	MIN	NOM	MAX	UNIT
Supply voltage, V_{CC}	4.75	5	5.25	V
Supply voltage, V_{CC1} (see Note 3)	3		5.25	V
Termination voltage, V_{TE}	4.25		5.25	V
High-level input voltage, V_{IH}	DE/RE, CE, A, B			2
Low-level input voltage, V_{IL}	DE/RE, CE, A, B			0.8
High-level output current, I_{OH}	A			-8
Low-level output current, I_{OL}	B			48
	A			8
Operating free-air temperature, T_A	0		70	°C

NOTE 3: All electrical characteristics are measured with $V_{CC1} = V_{CC}$ unless otherwise noted.

driver electrical characteristics over recommended operating conditions (unless otherwise noted) (see Figure 1)

PARAMETER	TEST CONDITIONS	MIN	MAX	UNIT
V_{OH} High-level output voltage	$I_{OH} = -20$ mA	2		V
V_{OL} Low-level output voltage	$I_{OL} = 48$ mA		0.5	V
I_{IH} High-level input current	$V_{IH} = 2$ V, $V_{CC} = V_{CC1} = 5.25$ V		-100	μA
I_{IL} Low-level input current, A	$V_{IL} = 0.5$ V, $V_{CC} = V_{CC1} = 5.25$ V		-100	μA
I_{OZ} High-impedance-state output current	$V_O = 5.25$ V, $V_{CC} = V_{CC1} = 5.25$ V		-100	μA
	$V_O = 0$ V, $V_{CC} = V_{CC1} = 5.25$ V		-100	

termination electrical characteristics over recommended operating conditions (unless otherwise noted) (see Figure 2)

PARAMETER	TEST CONDITIONS	MIN	TYP	MAX	UNIT
$V_{O(OC)}$ Open-circuit output voltage	$I_O = 0$ mA, $V_{CC} = V_{CC1} = 0$ V	2.5	2.85	3.24	V
I_O Output current	$V_O = 0$ V, $V_{CC} = V_{CC1} = 0$ V			-24	mA
	$V_O = 0.5$ V, $V_{CC} = V_{CC1} = 0$ V	-20		-24	mA
	$V_O = 3$ V, $V_{CC} = V_{CC1} = 0$ V			100	μA
	$V_O = 4$ V, $V_{CC} = V_{CC1} = 0$ V	2		12	mA

SN75LBC968

9-CHANNEL BUS TRANSCEIVER WITH ACTIVE TERMINATION

SLLS179E – APRIL 1994 – REVISED AUGUST 2005

receiver electrical characteristics over recommended operating conditions (unless otherwise noted) (see Figure 3)

PARAMETER		TEST CONDITIONS	MIN	TYP	MAX	UNIT
V_{OH}	High-level output voltage	$I_{OH} = -8 \text{ mA}$	2	2.5		V
V_{OL}	Low-level output voltage	$I_{OL} = 8 \text{ mA}$			0.8	V
V_{IT+}	Positive-going input threshold voltage	$V_{CC} = V_{CC1}$	1.2	1.6	2	V
V_{IT-}	Negative-going input threshold voltage		0.8	1.1	1.4	V
V_{hys}	Input hysteresis voltage ($V_{IT+} - V_{IT-}$)		0.2	0.5		V
I_{IH}	High-level input current	$V_{IH} = 2 \text{ V}$			100	μA
I_{IL}	Low-level input current	$V_{IL} = 0.5 \text{ V}$			100	μA
I_{OZ}	High-impedance-state output current	$V_O = 0 \text{ V}$			-100	μA
		$V_O = 5.25 \text{ V}$			-100	

device electrical characteristics over recommended operating conditions (unless otherwise noted)

PARAMETER		TEST CONDITIONS	MIN	TYP†	MAX	UNIT
I_{CC}	Supply current to V_{CC} and V_{CC1}	All drivers, receivers, and terminator disabled	All inputs at 0 V	1.3	3	mA
		All receivers enabled, termination and drivers disabled, No load	CE at V_{CC} , $\overline{DE}/\overline{RE}$ at 0 V, TE at 0 V	14	21	
			DE/ \overline{RE} and CE at V_{CC} , A and TE at 0 V	33	45	
		All drivers enabled, termination and receivers disabled, No load	DE/ \overline{RE} and CE at V_{CC} , $V_{TE} = 0 \text{ V}$, A at V_{CC1}	15	21	
I_{CC}	Supply current to TE	Termination and receivers enabled, No load	TE at V_{TE} , $\overline{DE}/\overline{RE}$ at 0 V	33	45	
C_O	Bus port capacitance (see Note 4)			13.5	16.5	pF
I_{IH}	High-level input current	DE/ \overline{RE} , CE	$V_{IH} = V_{CC}$ or 2 V		100	μA
I_{IL}	Low-level input current	DE/ \overline{RE} , CE	$V_{IL} = 0.5 \text{ V}$		100	μA

† All typical values are at $V_{CC} = V_{CC1} = 5 \text{ V}$, $T_A = 25^\circ\text{C}$.

NOTE 4: Tested in accordance with Annex G X3T9.2/855D, revision 14

SN75LBC968 9-CHANNEL BUS TRANSCEIVER WITH ACTIVE TERMINATION

SLLS179E – APRIL 1994 – REVISED AUGUST 2005

driver switching characteristics over recommended operating conditions (unless otherwise noted)

PARAMETER		TEST CONDITIONS	MIN	TYP†	MAX	UNIT
t _{PHL}	Propagation delay time, high- to low-level output (see Figure 4)	C _L = 15 pF	10		35	ns
t _{PLH}	Propagation delay time, low- to high-level output (see Figure 4)		15		45	ns
t _{sk(lim)}	Skew limit‡, the maximum delay time – minimum delay time	V _{CC} = V _{CC1} = 5 V, T _A = 25°C, C _L = 15 pF			14	ns
		V _{CC} = V _{CC1} = 5 V, T _A = 70°C, C _L = 15 pF			14	ns
t _{sk(p)}	Pulse skew, t _{PHL} – t _{PLH}	V _{CC} = V _{CC1} = 5 V, T _A = 25°C		8		ns
t _t	Output transition time, 10% to 90% or 90% to 10% of the steady-state output	15 pF < C _L < 100 pF	5		20	ns
t _{PLZ}	Propagation delay time, low-level to high-impedance output (see Figure 5)	From CE, C _L = 15 pF	5		150	ns
		From DE/ \overline{RE} , C _L = 15 pF			45	
t _{PZL}	Propagation delay time, high-impedance to low-level output (see Figure 5)	From CE, C _L = 15 pF	5		150	ns
		From DE/ \overline{RE} , C _L = 15 pF			45	

† All typical values are at V_{CC} = V_{CC1} = 5 V, T_A = 25°C.

‡ The value for this parameter was derived from the difference between the slowest and the fastest driver delay times measured on devices from four sample wafer lots.

receiver switching characteristics over recommended of operating conditions (unless otherwise noted)

PARAMETER		TEST CONDITIONS	MIN	TYP†	MAX	UNIT
t _{PHL}	Propagation delay time, high- to low-level output	See Figure 6	5		20	ns
t _{PLH}	Propagation delay time, low- to high-level output		5		25	ns
t _{sk(lim)}	Skew limit‡, the maximum delay time – minimum delay time	V _{CC} = V _{CC1} = 5 V, T _A = 25°C, See Figure 6			8.5	ns
		V _{CC} = V _{CC1} = 5 V, T _A = 70°C, See Figure 6			8.5	ns
t _{sk(p)}	Pulse skew, t _{PHL} – t _{PLH}	V _{CC} = V _{CC1} = 5 V, T _A = 25°C, See Figure 6		6		ns
t _{PLZ}	Propagation delay time, low-level to high-impedance output	From CE, See Figure 7	5		150	ns
		From DE/ \overline{RE} , See Figure 7			45	
t _{PZL}	Propagation delay time, high-impedance to low-level output	From CE, See Figure 7	5		150	ns
		From DE/ \overline{RE} , See Figure 7			80	
t _{PHZ}	Propagation delay time, high-level to high-impedance output	From CE, See Figure 8	5		150	ns
		From DE/ \overline{RE} , See Figure 8			45	
t _{PZH}	Propagation delay time, high-impedance to high-level output	From CE, See Figure 8	5		150	ns
		From DE/ \overline{RE} , See Figure 8			80	

† All typical values are at V_{CC} = V_{CC1} = 5 V, T_A = 25°C.

‡ The value for this parameter was derived from the difference between the slowest and the fastest driver delay times measured on devices from four sample wafer lots.

thermal characteristics

PARAMETER		TEST CONDITIONS	MIN	TYP	MAX	UNIT
R _{θJA}	Junction-to-free-air thermal resistance	Board-mounted, no air flow		50		°C/W
R _{θJC}	Junction-to-case thermal resistance			12		°C/W
T _{JS}	Junction-shutdown temperature			180		°C

SN75LBC968
9-CHANNEL BUS TRANSCEIVER
WITH ACTIVE TERMINATION

SLLS179E – APRIL 1994 – REVISED AUGUST 2005

PARAMETER MEASUREMENT INFORMATION

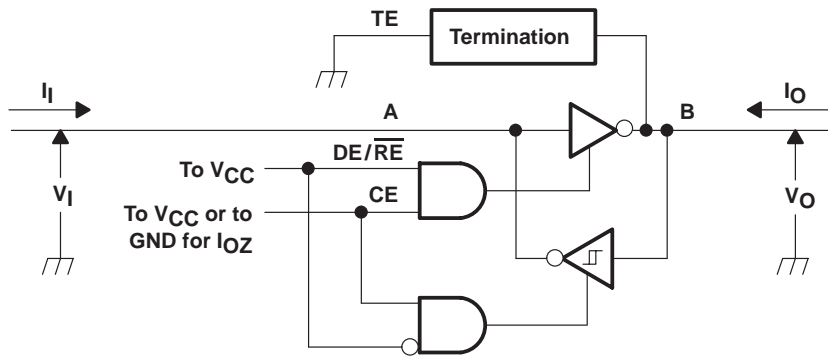


Figure 1. Driver Test Circuit Currents and Voltages.

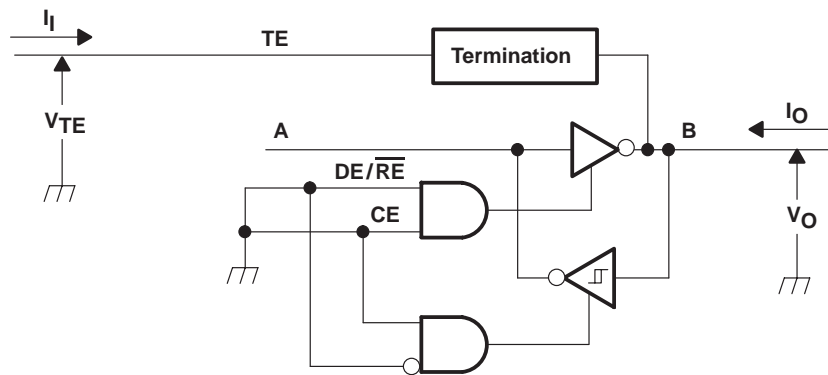


Figure 2. Active Termination Voltages, Currents, and Test Circuit.

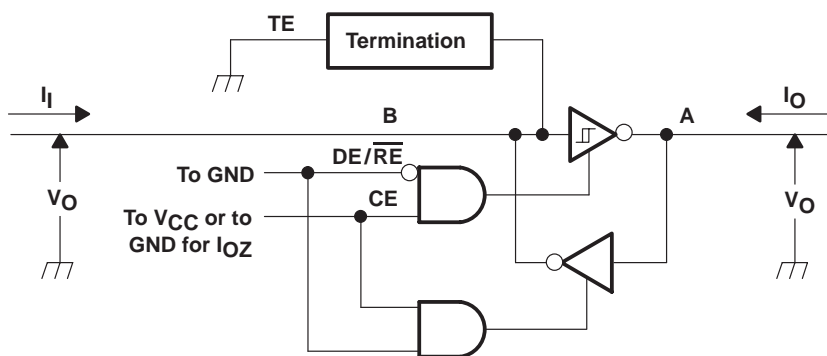
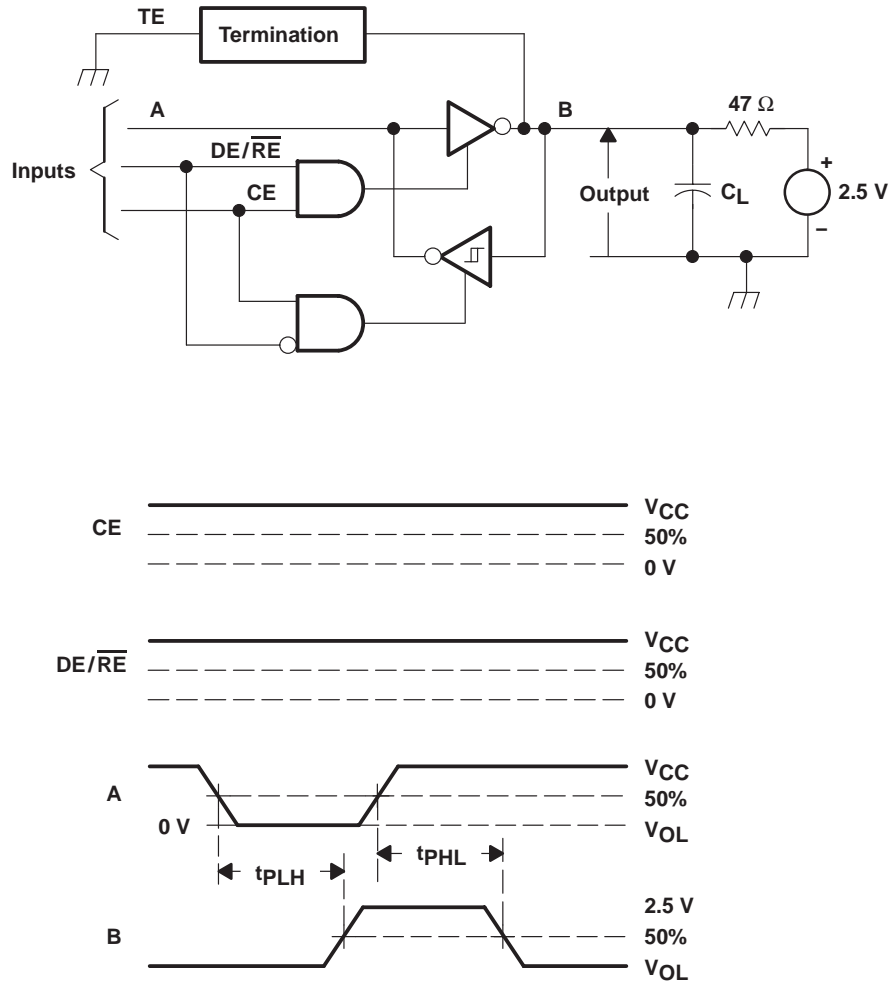


Figure 3. Receiver Voltages, Currents, and Test Circuit

- NOTES: A. All input pulses are supplied by a generator having the following characteristics: $t_r \leq 6$ ns, $t_f \leq 6$ ns, $PRR \leq 1$ MHz, duty cycle = 50%, $Z_O = 50 \Omega$.
 B. All resistances are in ohms and $\pm 5\%$, unless otherwise indicated.
 C. All capacitances are in picofarads and $\pm 10\%$, unless otherwise indicated.
 D. All indicated voltages are ± 10 mV.

PARAMETER MEASUREMENT INFORMATION



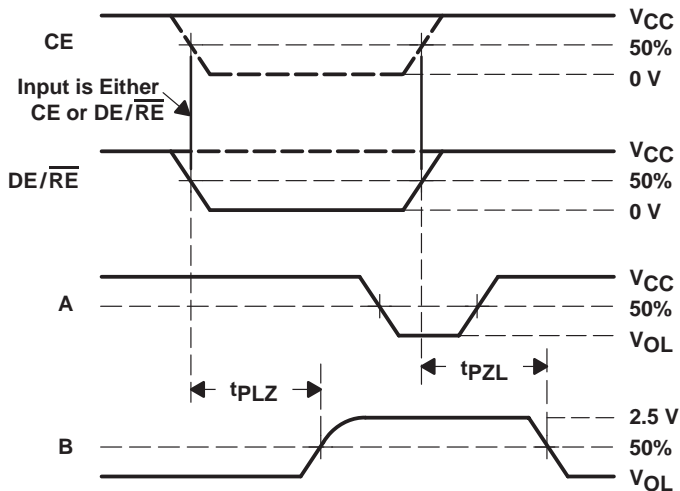
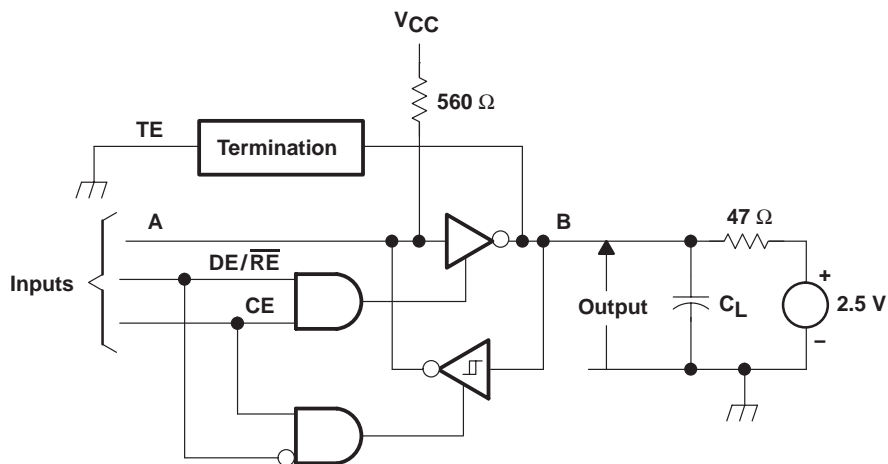
- NOTES: A. All input pulses are supplied by a generator having the following characteristics: $t_r \leq 6$ ns, $t_f \leq 6$ ns, $PRR \leq 1$ MHz, duty cycle = 50%, $Z_O = 50$ Ω .
- B. All resistances are in ohms and $\pm 5\%$, unless otherwise indicated.
- C. All capacitances are in picofarads and $\pm 10\%$, unless otherwise indicated.
- D. All indicated voltages are ± 10 mV.

Figure 4. Driver Delay Time Test Circuit and Waveforms

SN75LBC968
9-CHANNEL BUS TRANSCEIVER
WITH ACTIVE TERMINATION

SLLS179E – APRIL 1994 – REVISED AUGUST 2005

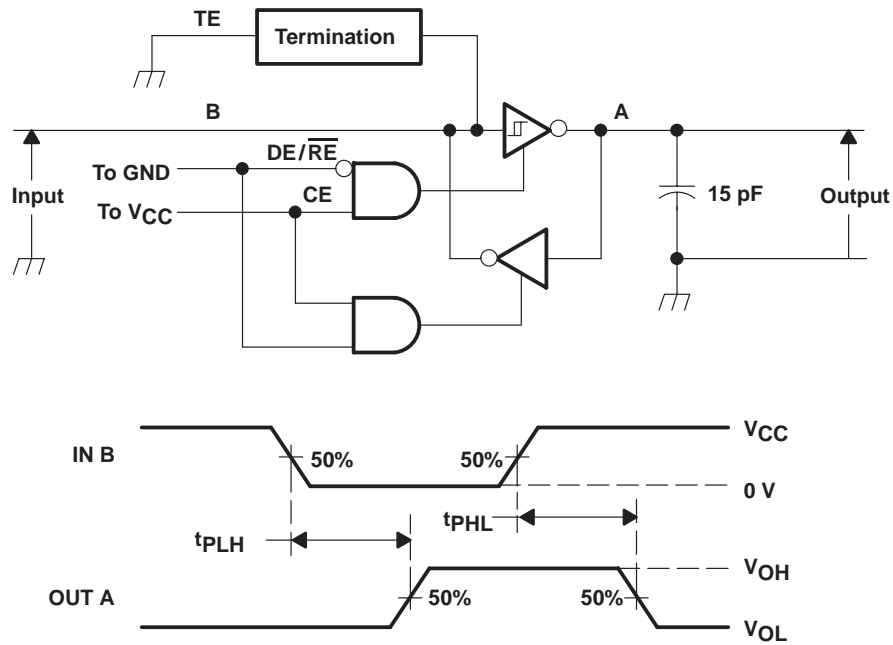
PARAMETER MEASUREMENT INFORMATION



- NOTES: A. All input pulses are supplied by a generator having the following characteristics: $t_r \leq 6 \text{ ns}$, $t_f \leq 6 \text{ ns}$, $\text{PRR} \leq 1 \text{ MHz}$, duty cycle = 50%, $Z_O = 50 \Omega$.
 B. All resistances are in ohms and $\pm 5\%$, unless otherwise indicated.
 C. All capacitances are in picofarads and $\pm 10\%$, unless otherwise indicated.
 D. All indicated voltages are $\pm 10 \text{ mV}$.

Figure 5. Driver Delay Time Test Circuit and Waveforms

PARAMETER MEASUREMENT INFORMATION



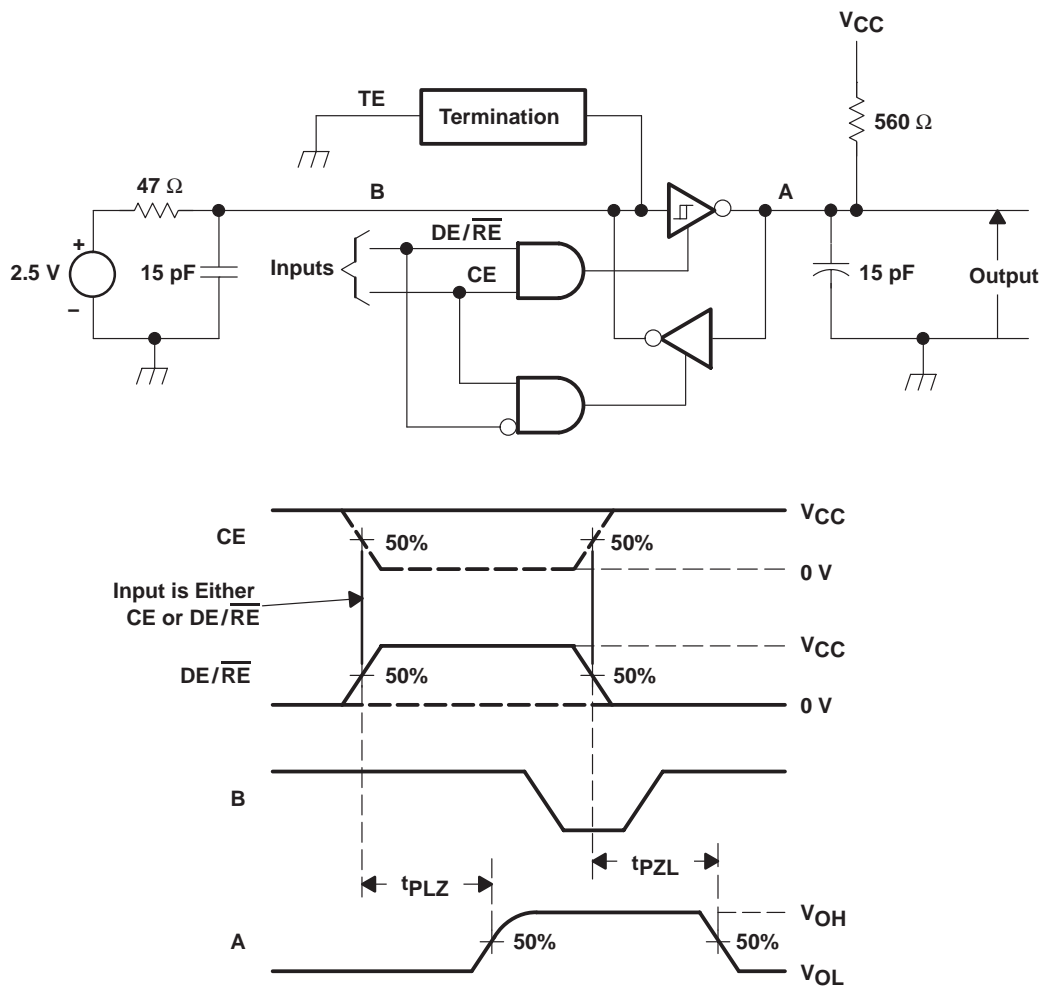
- NOTES: A. All input pulses are supplied by a generator having the following characteristics: $t_r \leq 6$ ns, $t_f \leq 6$ ns, $PRR \leq 1$ MHz, duty cycle = 50%, $Z_O = 50 \Omega$.
 B. All resistances are in ohms and $\pm 5\%$, unless otherwise indicated.
 C. All capacitances are in picofarads and $\pm 10\%$, unless otherwise indicated.
 D. All indicated voltages are ± 10 mV.

Figure 6. Receiver Propagation Delay Time Test Circuit and Waveforms

SN75LBC968
9-CHANNEL BUS TRANSCEIVER
WITH ACTIVE TERMINATION

SLLS179E – APRIL 1994 – REVISED AUGUST 2005

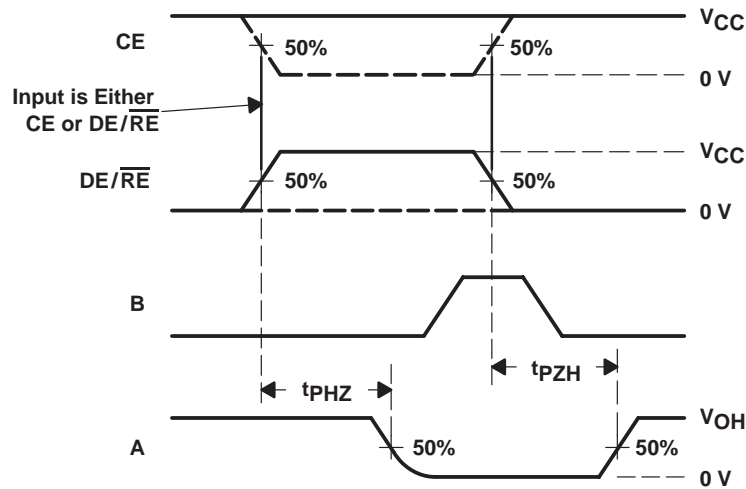
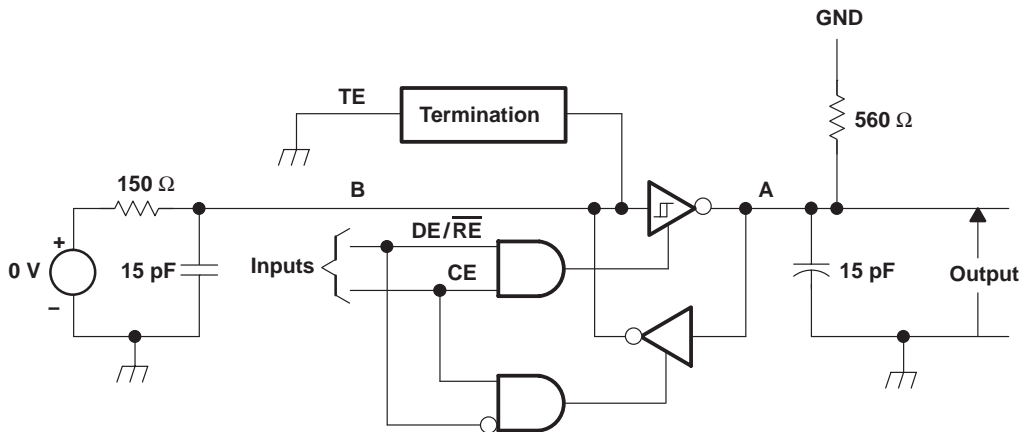
PARAMETER MEASUREMENT INFORMATION



- NOTES: A. All input pulses are supplied by a generator having the following characteristics: $t_r \leq 6$ ns, $t_f \leq 6$ ns, PRR ≤ 1 MHz, duty cycle = 50%, $Z_O = 50 \Omega$.
 B. All resistances are in ohms and $\pm 5\%$, unless otherwise indicated.
 C. All capacitances are in picofarads and $\pm 10\%$, unless otherwise indicated.
 D. All indicated voltages are ± 10 mV.

Figure 7. Receiver Enable and Disable Times to and From Low-Level Output Test Circuit and Waveforms

PARAMETER MEASUREMENT INFORMATION



- NOTES: A. All input pulses are supplied by a generator having the following characteristics: $t_r \leq 6$ ns, $t_f \leq 6$ ns, $PRR \leq 1$ MHz, duty cycle = 50%, $Z_O = 50 \Omega$.
 B. All resistances are in ohms and $\pm 5\%$, unless otherwise indicated.
 C. All capacitances are in picofarads and $\pm 10\%$, unless otherwise indicated.
 D. All indicated voltages are ± 10 mV.

Figure 8. Receiver Enable and Disable Times to and From High-Level Output Test Circuit and Waveforms

SN75LBC968
9-CHANNEL BUS TRANSCEIVER
WITH ACTIVE TERMINATION

SLLS179E – APRIL 1994 – REVISED AUGUST 2005

TYPICAL CHARACTERISTICS

**DRIVER AND TERMINATION
 LOW-LEVEL OUTPUT VOLTAGE
 vs
 LOW-LEVEL OUTPUT CURRENT**

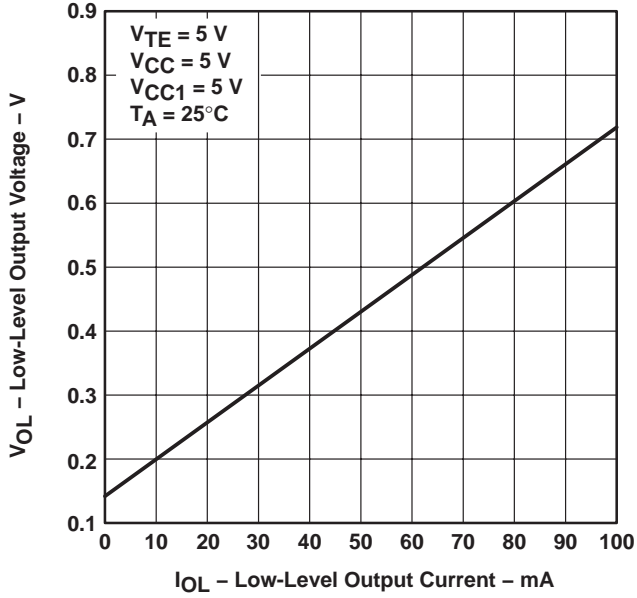


Figure 9

**TERMINATION
 OUTPUT VOLTAGE
 vs
 OUTPUT CURRENT**

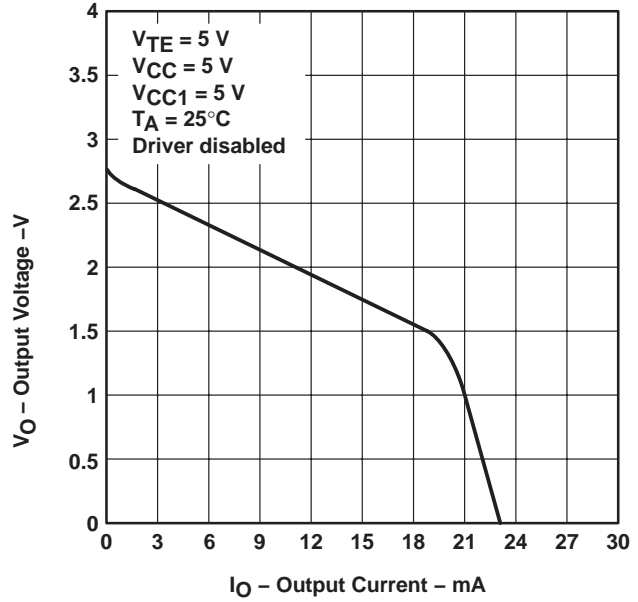


Figure 10

**DRIVER
 LOW-LEVEL OUTPUT VOLTAGE
 vs
 LOW-LEVEL OUTPUT CURRENT**

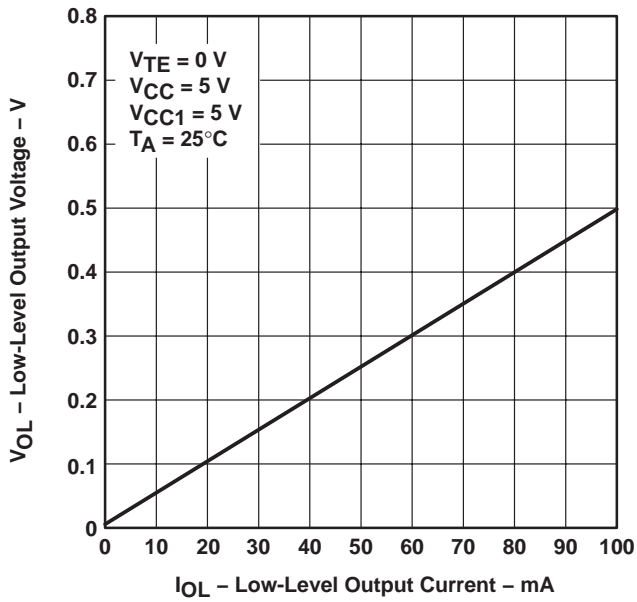


Figure 11

**DRIVER
 HIGH-LEVEL OUTPUT VOLTAGE
 vs
 HIGH-LEVEL OUTPUT CURRENT**

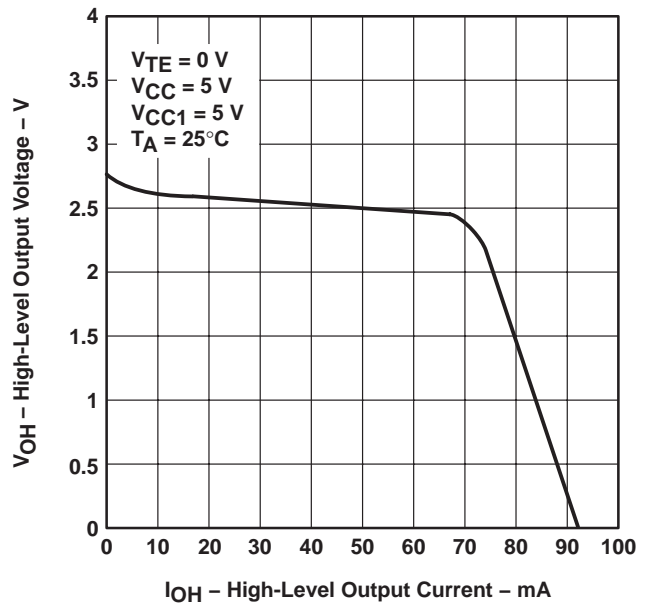
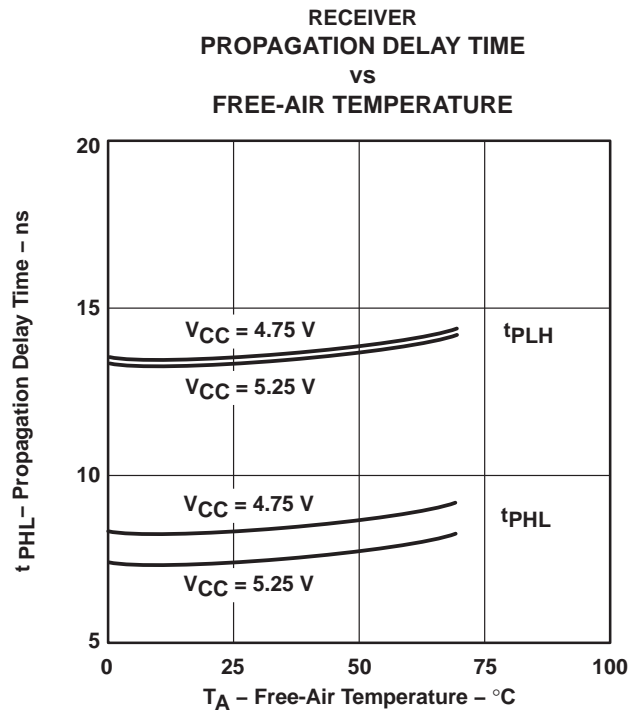
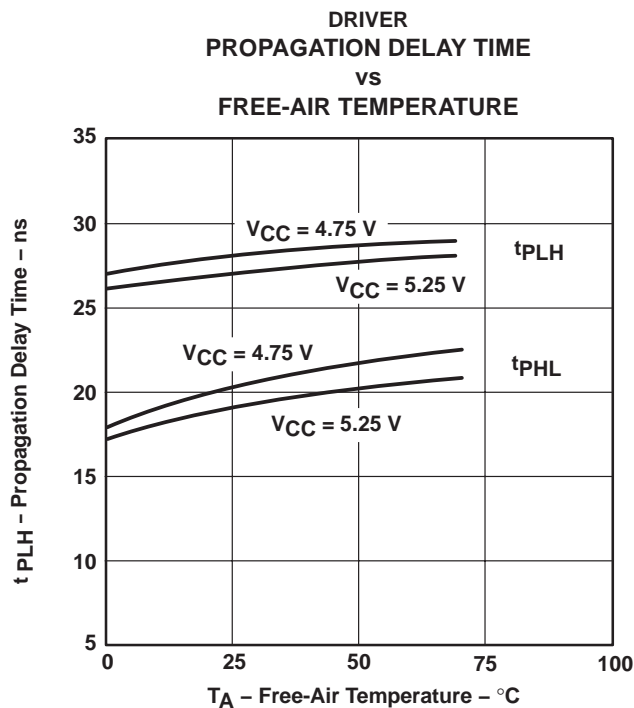


Figure 12

TYPICAL CHARACTERISTICS



PACKAGING INFORMATION

Orderable Device	Status ⁽¹⁾	Package Type	Package Drawing	Pins	Package Qty	Eco Plan ⁽²⁾	Lead/Ball Finish	MSL Peak Temp ⁽³⁾
SN75LBC968DL	ACTIVE	SSOP	DL	56	20	Green (RoHS & no Sb/Br)	CU NIPDAU	Level-2-260C-1 YEAR
SN75LBC968DLG4	ACTIVE	SSOP	DL	56	20	Green (RoHS & no Sb/Br)	CU NIPDAU	Level-2-260C-1 YEAR
SN75LBC968DLR	ACTIVE	SSOP	DL	56	1000	Green (RoHS & no Sb/Br)	CU NIPDAU	Level-2-260C-1 YEAR
SN75LBC968DLRG4	ACTIVE	SSOP	DL	56	1000	Green (RoHS & no Sb/Br)	CU NIPDAU	Level-2-260C-1 YEAR

⁽¹⁾ The marketing status values are defined as follows:

ACTIVE: Product device recommended for new designs.

LIFEBUY: TI has announced that the device will be discontinued, and a lifetime-buy period is in effect.

NRND: Not recommended for new designs. Device is in production to support existing customers, but TI does not recommend using this part in a new design.

PREVIEW: Device has been announced but is not in production. Samples may or may not be available.

OBSOLETE: TI has discontinued the production of the device.

⁽²⁾ Eco Plan - The planned eco-friendly classification: Pb-Free (RoHS), Pb-Free (RoHS Exempt), or Green (RoHS & no Sb/Br) - please check <http://www.ti.com/productcontent> for the latest availability information and additional product content details.

TBD: The Pb-Free/Green conversion plan has not been defined.

Pb-Free (RoHS): TI's terms "Lead-Free" or "Pb-Free" mean semiconductor products that are compatible with the current RoHS requirements for all 6 substances, including the requirement that lead not exceed 0.1% by weight in homogeneous materials. Where designed to be soldered at high temperatures, TI Pb-Free products are suitable for use in specified lead-free processes.

Pb-Free (RoHS Exempt): This component has a RoHS exemption for either 1) lead-based flip-chip solder bumps used between the die and package, or 2) lead-based die adhesive used between the die and leadframe. The component is otherwise considered Pb-Free (RoHS compatible) as defined above.

Green (RoHS & no Sb/Br): TI defines "Green" to mean Pb-Free (RoHS compatible), and free of Bromine (Br) and Antimony (Sb) based flame retardants (Br or Sb do not exceed 0.1% by weight in homogeneous material)

⁽³⁾ MSL, Peak Temp. -- The Moisture Sensitivity Level rating according to the JEDEC industry standard classifications, and peak solder temperature.

Important Information and Disclaimer:The information provided on this page represents TI's knowledge and belief as of the date that it is provided. TI bases its knowledge and belief on information provided by third parties, and makes no representation or warranty as to the accuracy of such information. Efforts are underway to better integrate information from third parties. TI has taken and continues to take reasonable steps to provide representative and accurate information but may not have conducted destructive testing or chemical analysis on incoming materials and chemicals. TI and TI suppliers consider certain information to be proprietary, and thus CAS numbers and other limited information may not be available for release.

In no event shall TI's liability arising out of such information exceed the total purchase price of the TI part(s) at issue in this document sold by TI to Customer on an annual basis.

TAPE AND REEL INFORMATION



QUADRANT ASSIGNMENTS FOR PIN 1 ORIENTATION IN TAPE



*All dimensions are nominal

Device	Package Type	Package Drawing	Pins	SPQ	Reel Diameter (mm)	Reel Width W1 (mm)	A0 (mm)	B0 (mm)	K0 (mm)	P1 (mm)	W (mm)	Pin1 Quadrant
SN75LBC968DLR	SSOP	DL	56	1000	330.0	32.4	11.35	18.67	3.1	16.0	32.0	Q1

TAPE AND REEL BOX DIMENSIONS



*All dimensions are nominal

Device	Package Type	Package Drawing	Pins	SPQ	Length (mm)	Width (mm)	Height (mm)
SN75LBC968DLR	SSOP	DL	56	1000	346.0	346.0	49.0

IMPORTANT NOTICE

Texas Instruments Incorporated and its subsidiaries (TI) reserve the right to make corrections, modifications, enhancements, improvements, and other changes to its products and services at any time and to discontinue any product or service without notice. Customers should obtain the latest relevant information before placing orders and should verify that such information is current and complete. All products are sold subject to TI's terms and conditions of sale supplied at the time of order acknowledgment.

TI warrants performance of its hardware products to the specifications applicable at the time of sale in accordance with TI's standard warranty. Testing and other quality control techniques are used to the extent TI deems necessary to support this warranty. Except where mandated by government requirements, testing of all parameters of each product is not necessarily performed.

TI assumes no liability for applications assistance or customer product design. Customers are responsible for their products and applications using TI components. To minimize the risks associated with customer products and applications, customers should provide adequate design and operating safeguards.

TI does not warrant or represent that any license, either express or implied, is granted under any TI patent right, copyright, mask work right, or other TI intellectual property right relating to any combination, machine, or process in which TI products or services are used. Information published by TI regarding third-party products or services does not constitute a license from TI to use such products or services or a warranty or endorsement thereof. Use of such information may require a license from a third party under the patents or other intellectual property of the third party, or a license from TI under the patents or other intellectual property of TI.

Reproduction of TI information in TI data books or data sheets is permissible only if reproduction is without alteration and is accompanied by all associated warranties, conditions, limitations, and notices. Reproduction of this information with alteration is an unfair and deceptive business practice. TI is not responsible or liable for such altered documentation. Information of third parties may be subject to additional restrictions.

Resale of TI products or services with statements different from or beyond the parameters stated by TI for that product or service voids all express and any implied warranties for the associated TI product or service and is an unfair and deceptive business practice. TI is not responsible or liable for any such statements.

TI products are not authorized for use in safety-critical applications (such as life support) where a failure of the TI product would reasonably be expected to cause severe personal injury or death, unless officers of the parties have executed an agreement specifically governing such use. Buyers represent that they have all necessary expertise in the safety and regulatory ramifications of their applications, and acknowledge and agree that they are solely responsible for all legal, regulatory and safety-related requirements concerning their products and any use of TI products in such safety-critical applications, notwithstanding any applications-related information or support that may be provided by TI. Further, Buyers must fully indemnify TI and its representatives against any damages arising out of the use of TI products in such safety-critical applications.

TI products are neither designed nor intended for use in military/aerospace applications or environments unless the TI products are specifically designated by TI as military-grade or "enhanced plastic." Only products designated by TI as military-grade meet military specifications. Buyers acknowledge and agree that any such use of TI products which TI has not designated as military-grade is solely at the Buyer's risk, and that they are solely responsible for compliance with all legal and regulatory requirements in connection with such use.

TI products are neither designed nor intended for use in automotive applications or environments unless the specific TI products are designated by TI as compliant with ISO/TS 16949 requirements. Buyers acknowledge and agree that, if they use any non-designated products in automotive applications, TI will not be responsible for any failure to meet such requirements.

Following are URLs where you can obtain information on other Texas Instruments products and application solutions:

Products

Amplifiers	amplifier.ti.com
Data Converters	dataconverter.ti.com
DLP® Products	www.dlp.com
DSP	dsp.ti.com
Clocks and Timers	www.ti.com/clocks
Interface	interface.ti.com
Logic	logic.ti.com
Power Mgmt	power.ti.com
Microcontrollers	microcontroller.ti.com
RFID	www.ti-rfid.com
RF/IF and ZigBee® Solutions	www.ti.com/lprf

Applications

Audio	www.ti.com/audio
Automotive	www.ti.com/automotive
Broadband	www.ti.com/broadband
Digital Control	www.ti.com/digitalcontrol
Medical	www.ti.com/medical
Military	www.ti.com/military
Optical Networking	www.ti.com/opticalnetwork
Security	www.ti.com/security
Telephony	www.ti.com/telephony
Video & Imaging	www.ti.com/video
Wireless	www.ti.com/wireless

Mailing Address: Texas Instruments, Post Office Box 655303, Dallas, Texas 75265
Copyright © 2009, Texas Instruments Incorporated