

## Two Channel SATA 3 Gbps Redriver With Cable Detect

 Check for Samples: [SN75LVCP412CD](#)

### FEATURES

- Fully Integrated Cable Detect Feature Compliant with SATA 2.6 Spec
- Enables System Power Savings of up to 200mW When HDD is Not Detected at eSATA Connector
- Low Device Power
  - <200mW (Typ) in Active Mode
  - <20mW (Typ) in Auto Low Power Mode
  - <2mW (Max) in Standby Mode
- Supports Common Mode Biasing for OOB Signaling with Fast Turn-On
- Channel Selectable Output Pre-Emphasis
- Excellent Jitter and Loss Compensation

### Capability to Over 20" FR4 Trace

- High Protection Against ESD Transient
  - HBM: 8,000V
  - CDM: 1,500V
  - MM: 200V
- 20 Pin QFN 4x4 Package
- Pin Compatible to LVCP412/LVCP412A

### APPLICATIONS

- Notebooks, Desktops, Docking Stations, Servers and Workstations

### DESCRIPTION

The SN75LVCP412CD is a dual channel, single lane SATA redriver and signal conditioner supporting data rates up to 3.0Gbps that complies with SATA spec revision 2.6.

The SN75LVCP412CD operates from a single 3.3V supply. Integrated 100-Ω line termination and self-biasing make the device suitable for AC coupling. The inputs incorporate an OOB detector which automatically turns the differential outputs off while maintaining a stable output common-mode voltage compliant to SATA link. The device is also designed to handle SSC transmission per SATA spec.

The SN75LVCP412CD handles interconnect losses at both its input and output. The built-in transmitter pre-emphasis feature is capable of applying 0dB or 2.5dB of relative amplification at higher frequencies to counter the expected interconnect loss. On the receive side the device applies a fixed equalization of 7dB to boost input frequencies near 1.5GHz. Collectively, the input equalization and output pre-emphasis features of the device works to fully restore SATA signal integrity over extended cable and backplane pathways.

The device is hot-plug capable<sup>(1)</sup> preventing device damage under device *hot*-insertion such as async signal plug/removal, un-powered plug/removal, powered plug/removal or surprise plug/removal.

(1) Requires use of AC coupling capacitors at differential inputs and outputs

### ORDERING INFORMATION<sup>(1)</sup>

PART NUMBER	PART MARKING	PACKAGE
SN75LVCP412CDRTJR	412CD	20-pin RTJ reel (large)
SN75LVCP412CDRTJT	412CD	20-pin RTJ reel (small)

(1) For the most current package and ordering information, see the Package Option Addendum at the end of this document, or see the TI web site at [www.ti.com](http://www.ti.com).



Please be aware that an important notice concerning availability, standard warranty, and use in critical applications of Texas Instruments semiconductor products and disclaimers thereto appears at the end of this data sheet.

**SN75LVCP412CD**

SLLSE62 – DECEMBER 2010

www.ti.com



These devices have limited built-in ESD protection. The leads should be shorted together or the device placed in conductive foam during storage or handling to prevent electrostatic damage to the MOS gates.

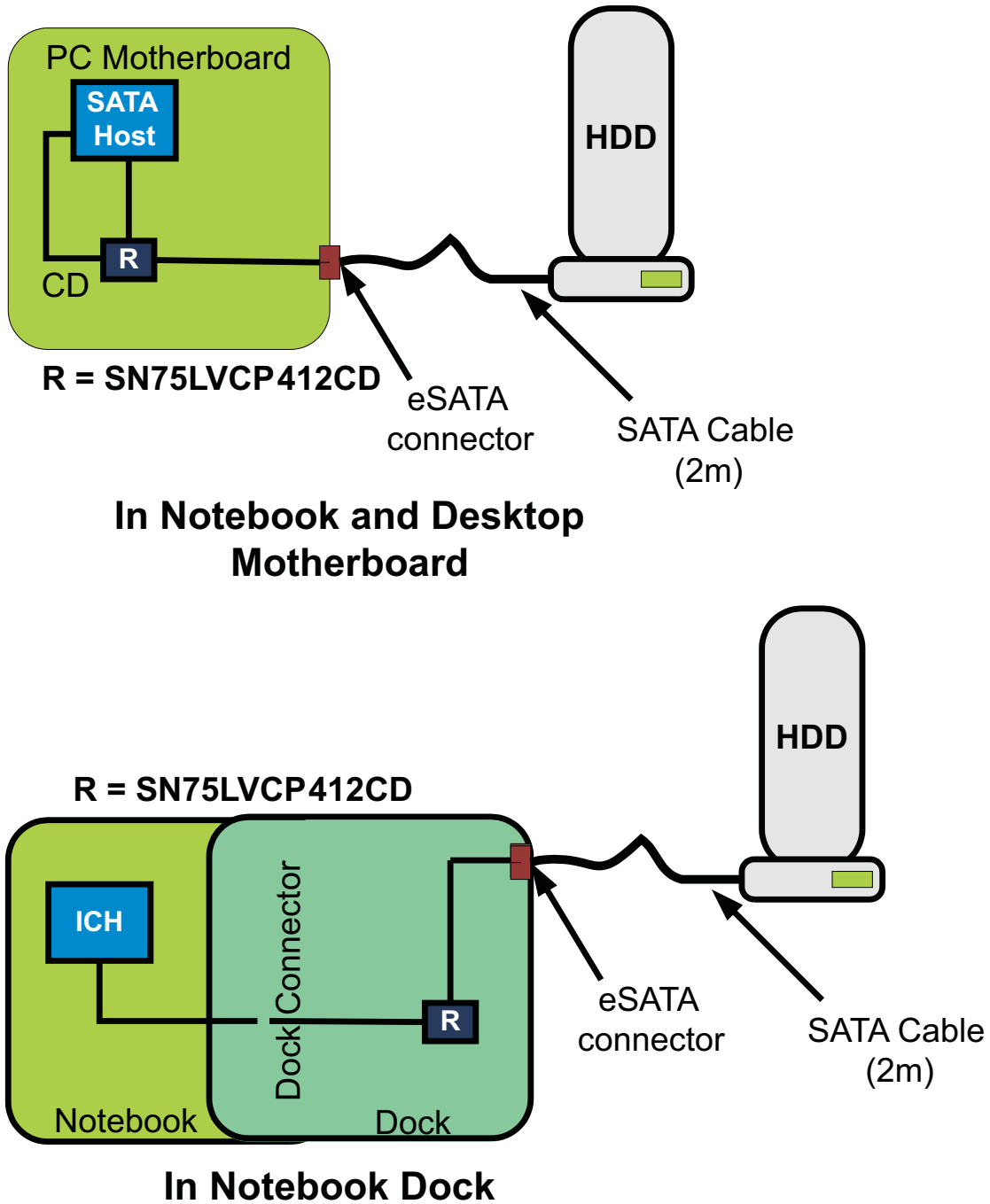


Figure 1. Typical Application

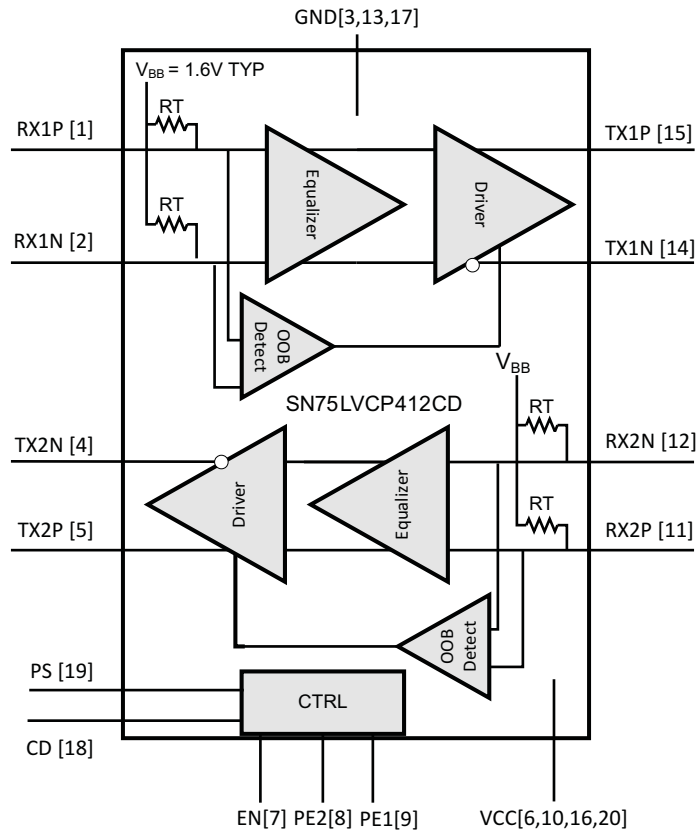
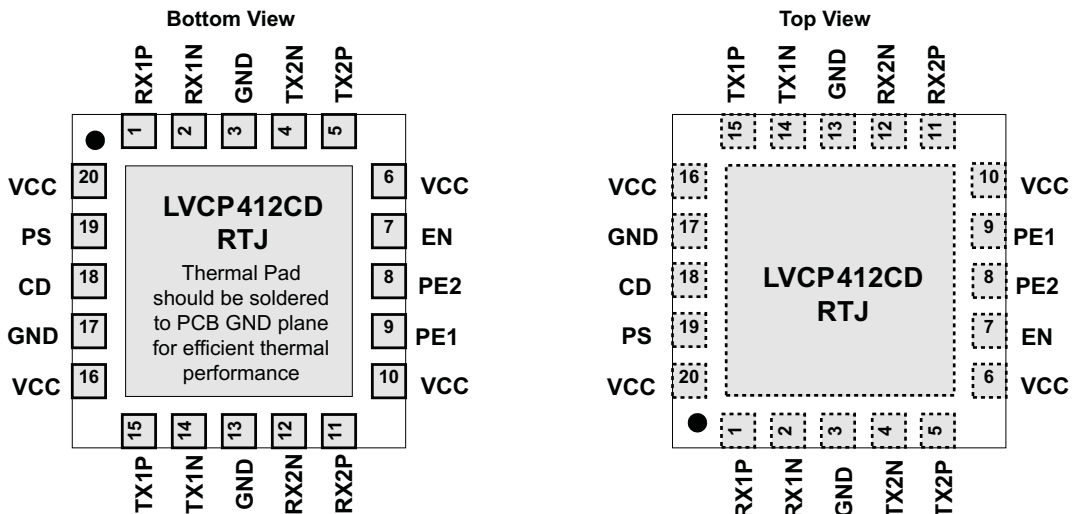


Figure 2. Block Diagram

PIN ASSIGNMENTS



**PIN FUNCTIONS**

PIN		I/O TYPE	DESCRIPTION
NO.	NAME		
<b>HIGH SPEED DIFFERENTIAL I/O</b>			
2	RX1N	I, VML	Non-inverting and inverting CML differential inputs for CH 1 and CH 2. These pins are tied to an internal voltage bias by dual termination resistor circuit.
1	RX1P	I, VML	
12	RX2N	I, VML	
11	RX2P	I, VML	
14	TX1N	O, VML	Non-inverting and inverting CML differential outputs for CH 1 and CH 2. These pins are internally tied to voltage bias by termination resistors.
15	TX1P	O, VML	
4	TX2N	O, VML	
5	TX2P	O, VML	
<b>CONTROL PINS</b>			
7	EN	I, LVCMOS	Device enable pin. Internally PU to VCC.
18	CD	O, LVCMOS	Indicates presence or absence of external HDD attachment to LVCP412CD (via eSATA connector).
19	PS	I, LVCMOS	Selects/de-selects cable detect feature of device. Internally PU to VCC.
8, 9	PE1, PE2	I, LVCMOS	Selects pre-emphasis settings for CH 1 and CH 2 per <a href="#">Table 4</a> . Internally PD to GND.
<b>POWER</b>			
6, 10, 16, 20	VCC	Power	Positive supply, should be 3.3V ±10%.
3, 13, 17	GND	Power	Supply ground

**DEVICE SETTINGS**
**Table 1. Device State**

EN	DEVICE STATE	DESCRIPTION
H	Active	ALP <sup>(1)</sup> enabled (default state)
L	Standby	Device in standby mode

(1) ALP = Auto low power mode active

**Table 2. Enabling/Disabling Cable Detect via PS Pin**

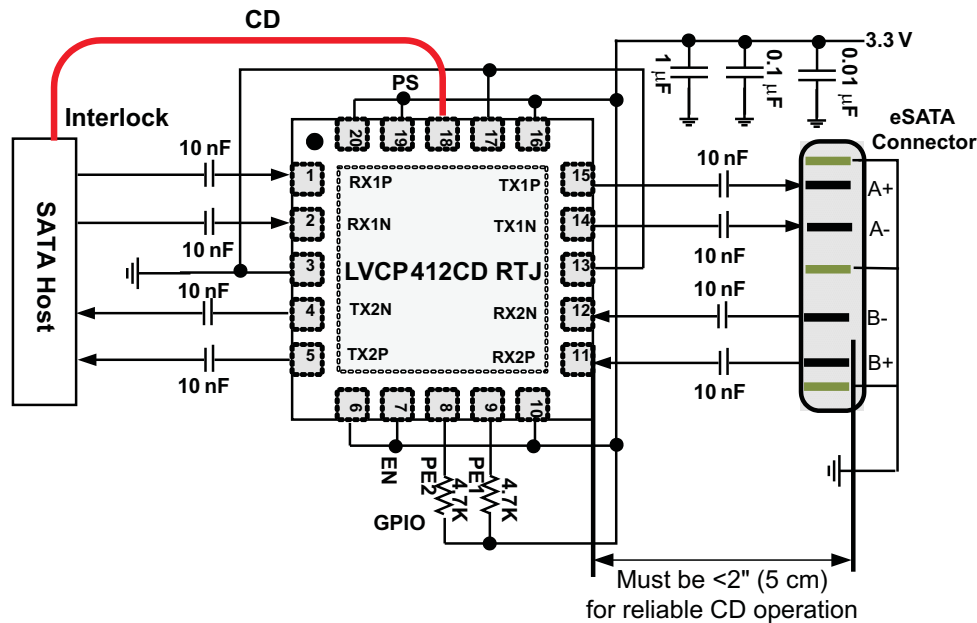
PS	CABLE DETECT FEATURE	DESCRIPTION
L	Disabled	CD feature is not enabled
H	Enabled	CD feature is enabled (default state)

**Table 3. Cable Detect Status Indicator Pin**

CD	CABLE CONNECTION STATUS	DESCRIPTION
L	Valid connection <b>detected</b> at eSATA port	Ext HDD attached
H	Valid connection <b>NOT</b> detected at eSATA port	Ext HDD NOT attached

**Table 4. Output Pre-Emphasis (Device in active state)**

PE1	PE2	FUNCTION
0	0	<b>Normal SATA output (default state); CH 1 and CH 2 → 0 dB</b>
1	0	CH 1 → 2.5 dB pre-emphasis; CH 2 → 0 dB
0	1	CH 2 → 2.5 dB pre-emphasis; CH 1 → 0 dB
1	1	CH 1 and CH 2 → 2.5 dB pre-emphasis



- (1) Place supply caps close to device pin.
- (2) Device shown with cable detect mode ON (PS=H, EN=H).
- (3) Output pre-emphasis (PE1, PE2) is shown enabled. Setting will depend on device placement relative to eSATA connector.
- (4) For reliable cable detect operation, CH1 trace length to eSATA connector pin must be within 2" (<5 cm).

Figure 3. Device Implementation

## OPERATION DESCRIPTION

### INPUT EQUALIZATION

Each differential input of the SN75LVCP412CD has +7dB of fixed equalization in its front stage. The equalization will amplify high frequency signals to correct for loss from the transmission channel. The input equalizer is designed to recover a signal even when no eye is present at the receiver and will affectively support a FR4 trace at the input anywhere from <4 inches to 20 inches or <10 cm to >50 cm.

### OUTPUT PRE-EMPHASIS

The SN75LVCP412CD provides single step pre-emphasis from 0dB to 2.5dB at each of its differential outputs. Pre-emphasis is controlled independently for each channel and is set by the control pins PE1 and PE2 as shown in Table 4. The pre-emphasis duration is 0.7 UI or 133ps (typ) at SATA 3.0Gbps speed.

### LOW POWER MODES

- Standby Mode (Triggered by EN pin when EN = H→L)  
Standby mode is controlled by enable (EN) pin. In its default state this pin is internally pulled high, pulling this pin LOW will put the device in standby mode within 2us (max). In this mode all active components of the device are driven to their quiescent level and differential outputs are driven to Hi Z (open). Max power dissipation is 2mW. Exiting to normal operation requires a maximum latency of 20 us.
- Auto Low Power Mode (Triggered when a given channel is in electrical idle state for >10us and EN = H, PS = X)  
Device enters and exits low power mode by actively monitoring input signal (VIDp-p) level on each of its channel independently. When input signal on either or both channel is in the electrical idle state, i.e. VIDp-p < 50mV and stays in this state for > 18 μs the associated channel(s) enter low power state. In this state, output of the associated channel(s) is held to TX VCM and device selectively shuts off some circuitry to lower power by >75% of its normal operating power. Exit time from auto low power mode is less than 50ns (max).

## SN75LVCP412CD

SLLSE62 – DECEMBER 2010

www.ti.com

### Cable Detect Feature (see [Figure 4](#) and [Figure 5](#))

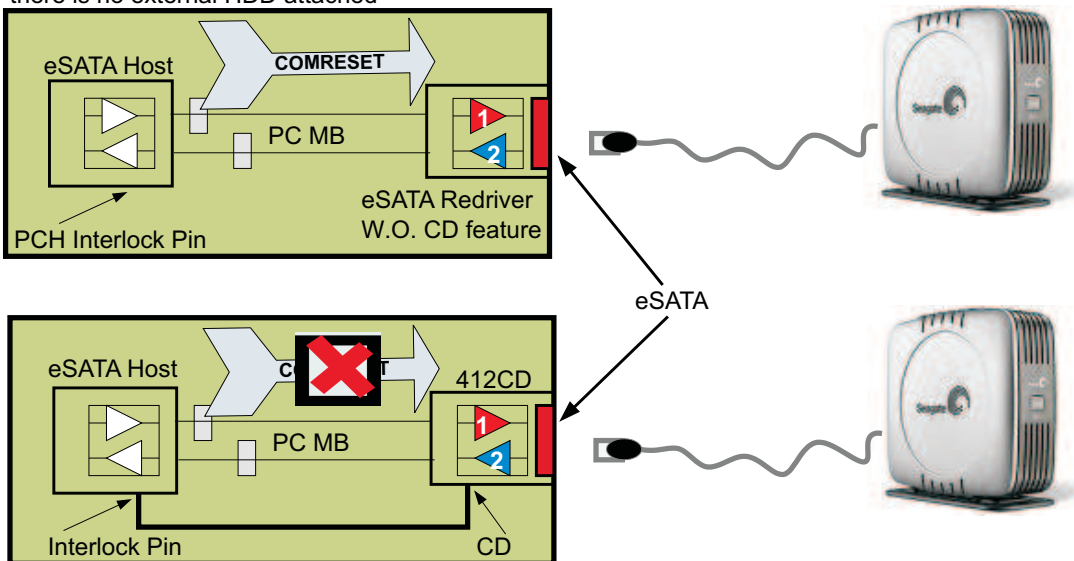
Cable detect mode (for this mode to be active PS and EN must be tied H via a 4.7kΩ or both pins left as NC. Device must be placed < 2" (or <5cm) from eSATA connector).

To use this feature CH 1 input must be connected to SATA host while CH 2 input to eSATA connector. After power up device sets CD = 0, which makes the SATA Host monitoring this pin go into normal SATA OOB state where host will send out COMRESETs (refer to SATA spec ver. 2.6 Gold) to look for a connected device. The LVCP412CD has a detector circuit that monitors voltage level at its CH1 outputs which changes based on a closed or open termination. CD pin polarity at power up is at L and remains L if connection is found. It will transition to H if connection is not found.

In the event that an eSATA host connected to CH1 of LVCP412CD goes to Partial or Slumber mode and the ext HDD is removed, then CD pin of device will continue to remain L until Host wakes up from Partial or Slumber mode and restarts the link by sending out COMWAKE. After the transmission of first valid OOB signal from host the LVCP412CD will detect that no device is attached to esata socket and thereby pull CD pin H indicating to the host that device is removed.

eSATA host can utilize the polarity of CD pin to shutdown (CD = 1) or turn ON (CD = 0). When host is in shutdown mode then no COMRESETs are transmitted thereby saving power. After having established no connection the LVCP412CD switches to listen mode whereby it listens to COMINTS (refer to SATA spec ver. 2.6 Gold) on CH2. Per SATA spec any SATA compliant peripheral PHY, after power-up, will transmit COMINT in the event that it does not receive a valid COMRESET from the host. If COMINT is detected by the LVCP412CD on CH2 it will switch CD status to L indicating a connection has been found. The SATA host that is monitoring the status of CD pin can now turn-ON as a device is connected and the link training is subsequently established.

Without CD feature, eSATA host sends COMRESETs at frequent intervals (ms) looking for attached HDD thereby burning power even when there is no external HDD attached



With 412CD, eSATA host is automatically turned OFF when no HDD is connected. Power savings of ~100mW - 200mW is possible on host side

**Figure 4. Cable Detect**

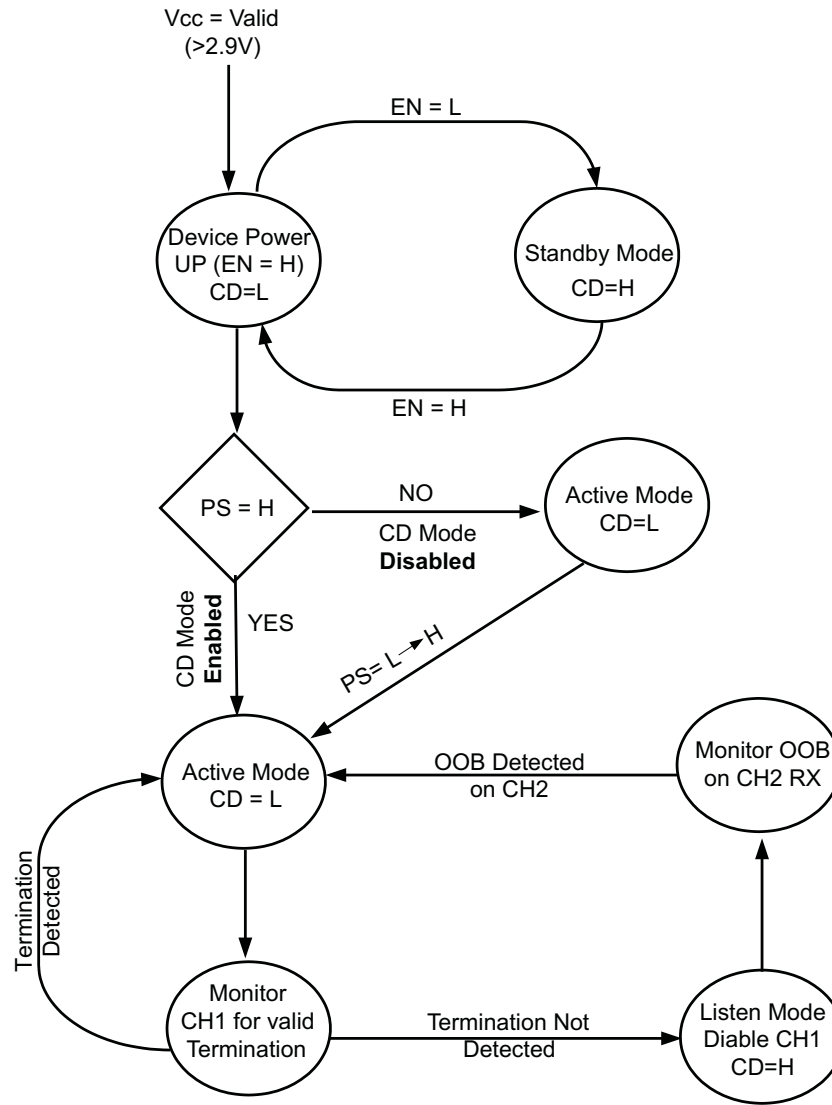


Figure 5. Device Operating States

## DEVICE POWER

The SN75LVCP412CD is designed to operate from a single 3.3V supply. Always practice proper power supply sequencing procedures. Apply  $V_{CC}$  *first* before any input signals are applied to the device. Power down sequence is in reverse order.

## OUT-OF-BAND (OOB) SUPPORT

The squelch detector circuit within the device enables full detection of OOB signaling as specified in SATA spec 2.6. Differential signal amplitude at the receiver input of  $50\text{mV}_{p-p}$  or less is not detected as an activity and hence not passed to the output. Differential signal amplitude of  $150\text{mV}_{p-p}$  or more is detected as an activity and therefore passed to the output indicating activity. Squelch circuit ON/OFF time is 5ns max. While in squelch mode outputs are held to VCM.

# SN75LVCP412CD

SLLSE62 – DECEMBER 2010

[www.ti.com](http://www.ti.com)

## ABSOLUTE MAXIMUM RATINGS

 over operating free-air temperature range (unless otherwise noted) <sup>(1)</sup>

		VALUE	UNIT
Supply voltage range <sup>(2)</sup>	V <sub>CC</sub>	–0.5 to 4	V
Voltage range	Differential I/O	–0.5 to 4	V
	Control I/O	–0.5 to V <sub>CC</sub> + 0.5	V
Electrostatic discharge	Human body model <sup>(3)</sup>	±8000	V
	Charged-device model <sup>(4)</sup>	±1500	V
	Machine model <sup>(5)</sup>	±200	V
Continuous power dissipation		See Dissipation Rating Table	

- (1) Stresses beyond those listed under absolute maximum ratings may cause permanent damage to the device. These are stress ratings only and functional operation of the device at these or any conditions beyond those indicated under recommended operating conditions is not implied. Exposure to absolute-maximum-rated conditions for extended periods may affect device reliability.
- (2) All voltage values, except differential voltages, are with respect to network ground terminal.
- (3) Tested in accordance with JEDEC Standard 22, Test Method A114-B
- (4) Tested in accordance with JEDEC Standard 22, Test Method C101-A
- (5) Tested in accordance with JEDEC Standard 22, Test Method A115-A

## THERMAL INFORMATION

THERMAL METRIC <sup>(1)</sup>		SN75LVCP412CD	UNITS
		RTJ (20) PINS	
θ <sub>JA</sub>	Junction-to-ambient thermal resistance	47.9	°C/W
θ <sub>JCtop</sub>	Junction-to-case (top) thermal resistance	44.9	
θ <sub>JB</sub>	Junction-to-board thermal resistance	24.4	
ψ <sub>JT</sub>	Junction-to-top characterization parameter	0.6	
ψ <sub>JB</sub>	Junction-to-board characterization parameter	24.4	
θ <sub>JCbot</sub>	Junction-to-case (bottom) thermal resistance	5.7	

- (1) For more information about traditional and new thermal metrics, see the *IC Package Thermal Metrics* application report, [SPRA953](#).

## RECOMMENDED OPERATING CONDITIONS

 typical values for all parameters are at V<sub>CC</sub> = 3.3V and T<sub>A</sub> = 25°C. All temperature limits are specified by design.

		MIN	NOM	MAX	UNITS
V <sub>CC</sub>	Supply voltage	3	3.3	3.6	V
T <sub>Vcc0-90%</sub>	Supply ramp time	Supply ramp 0V – 0.9V <sub>CC</sub>		10	ms
C <sub>COUPLING</sub>	Coupling capacitor			12	nF
Operating free-air temperature		0			°C



## DEVICE ELECTRICAL CHARACTERISTICS

under recommended operating conditions (unless otherwise noted)

PARAMETER		TEST CONDITIONS	MIN	TYP	MAX	UNITS
$P_{Active}$	Device power dissipation	EN, PE1, PE2 in default state, K28.5 pattern at 3 Gbps, $V_{ID} = 700\text{ mV}_{p-p}$		185	280	mW
$I_{CC}$	Active Supply Current			56	78	mA
$P_{SDWN}$	Standby Power	EN = 0 V		1.3	2.1	mW
$I_{CCSDWN}$	Standby Current			380	560	uA
$I_{CC-ALP}$	ALP (auto low power) supply current	Auto low power conditions met		5.0	6.5	mA
$P_{ALP}$	ALP (auto low power) supply power	Auto low power conditions met		17	24	mW
	Maximum data rate				3.0	Gbps
$t_{pDelay}$	Propagation delay	Measured using K28.5 pattern (see <a href="#">Figure 8</a> )		320	450	ps
$t_{ENB}$	Device enable time	EN = 0 → 1			5	us
$t_{DIS}$	Device disable time	EN = 1 → 0			2	us
AutoLP <sub>ENTRY</sub>	ALP entry time	Electrical idle at input, See <a href="#">Figure 11</a>		18	30	us
AutoLP <sub>EXIT</sub>	ALP exit time	After first signal activity, See <a href="#">Figure 11</a>		28	50	ns
$V_{OOB}$	Input OOB threshold		50	90	150	$\text{mV}_{pp}$
$t_{OOB1}$	OOB mode enter	See <a href="#">Figure 9</a>		4	8	ns
$t_{OOB2}$	OOB mode exit			5	8	ns

## CONTROL LOGIC ELECTRICAL CHARACTERISTICS

under recommended operating conditions (unless otherwise noted)

PARAMETER		TEST CONDITIONS	MIN	TYP	MAX	UNITS
$V_{IH}$	Input high voltage (EN, PS, PE)		1.4			V
$V_{IL}$	Input low voltage (EN, PS, PE)				0.5	V
$V_{INHYS}$	Input hysteresis (EN, PS, PE)			100		mV
$I_{IH}$	Input high current (EN, PS, PE)				10	μA
$I_{IL}$	Input low current (EN, PS, PE)				10	μA
$V_{OH}$	High level output voltage (CD)	$I_O = -500\text{ μA}$	2.7		3.6	V
$V_{OL}$	High level output voltage (CD)	$I_O = 500\text{ μA}$			0.1	V

# SN75LVCP412CD

SLLSE62 – DECEMBER 2010

[www.ti.com](http://www.ti.com)

## RECEIVER AC/DC ELECTRICAL CHARACTERISTICS

under recommended operating conditions (unless otherwise noted)

PARAMETER		TEST CONDITIONS	MIN	TYP	MAX	UNITS
Z <sub>DIFFRX</sub>	Differential-input impedance		85	100	115	Ω
Z <sub>SERX</sub>	Single-ended input impedance		40			Ω
V <sub>CMRX</sub>	Common-mode voltage			1.6		V
RL <sub>DIFFRX</sub>	Differential mode return Loss	f = 150 MHz – 300 MHz	18	24		dB
		f = 300 MHz – 600 MHz	14	20		
		f = 600 MHz – 1.2 GHz	10	20		
		f = 1.2 GHz – 2.4 GHz	8	11		
		f = 2.4 GHz – 3.0 GHz	3	11		
RL <sub>CMRX</sub>	Common-mode return Loss	f = 150 MHz – 300 MHz	5	11		dB
		f = 300 MHz – 600 MHz	5	14		
		f = 600 MHz – 1.2 GHz	2	17		
		f = 1.2 GHz – 2.4 GHz	1	16		
		f = 2.4 GHz – 3.0 GHz	1	8		
V <sub>DIFFRX</sub>	Differential input voltage PP	f = 750 MHz and 1.5 GHz	200		2000	mVppd
IB <sub>RX</sub>	Impedance balance	f = 150 MHz – 300 MHz	30	42		dB
		f = 300 MHz – 600 MHz	30	40		
		f = 600 MHz – 1.2 GHz	20	36		
		f = 1.2 GHz – 2.4 GHz	10	27		
		f = 2.4 GHz – 3.0 GHz	4	23		
T <sub>20-80RX</sub>	Rise/fall time	Rise times and fall times measured between 20% and 80% of the signal	67		136	ps
T <sub>skewRX</sub>	Differential skew	Difference between the single-ended mid-point of the RX+ signal rising/falling edge, and the single-ended mid-point of the RX– signal falling/rising edge			50	ps

**TRANSMITTER AC/DC ELECTRICAL CHARACTERISTICS**

under recommended operating conditions (unless otherwise noted)

PARAMETER		CONDITIONS	MIN	TYP	MAX	UNITS
Z <sub>diffTX</sub>	Pair differential impedance		85		115	Ω
Z <sub>SETX</sub>	Single-ended input impedance		40			
RL <sub>DiffTX</sub>	Differential mode return Loss	f = 150 MHz – 300 MHz	14	24		dB
		f = 300 MHz – 600 MHz	8	21		
		f = 600 MHz – 1.2 GHz	6	21		
		f = 1.2 GHz – 2.4 GHz	6	14		
		f = 2.4 GHz – 3.0 GHz	3	15		
RL <sub>CMTX</sub>	Common-mode return Loss	f = 150 MHz – 300 MHz	5	31		dB
		f = 300 MHz – 600 MHz	5	23		
		f = 600 MHz – 1.2 GHz	2	13		
		f = 1.2 GHz – 2.4 GHz	1	11		
		f = 2.4 GHz – 3.0 GHz	1	6		
IB <sub>TX</sub>	Impedance balance	f = 150 MHz – 300 MHz	30	43		dB
		f = 300 MHz – 600 MHz	20	39		
		f = 600 MHz – 1.2 GHz	10	34		
		f = 1.2 GHz – 2.4 GHz	10	28		
		f = 2.4 GHz – 3.0 GHz	4	26		
Diff <sub>VppTX</sub>	Differential output voltage PP	f = 1.5 GHz, PE1/PE2 = 0, See <a href="#">Figure 10</a>	400	510	700	mVppd
Diff <sub>VppTX_DE</sub>	Differential output voltage PP	f = 1.5 GHz, PE1/PE2 = 1 See <a href="#">Figure 10</a>	600	720	965	
	Output pre-emphasis	at 1.5GHz (when enabled)		2.5		dB
t <sub>DE</sub>	Pre-emphasis width	At 3Gbps, Also see <a href="#">Figure 10</a>		0.5		UI
VCM <sub>TX</sub>	Common-mode voltage			1.97		V
VCM <sub>TX_AC</sub>	AC CM voltage active mode	Maximum amount of AC CM signal at TX		20	50	mVpp
T <sub>20-80TX</sub>	Rise/fall time	Rise times and fall times measured between 20% and 80% of the signal. PE2/PE1 = 0	67	90	136	ps
T <sub>skewTX</sub>	Differential skew	Difference between the SE mid-point of the TX+ signal rising/falling edge, and the SE mid-point of the TX- signal falling/rising edge;		7	20	ps
<b>Jitter (with pre-emphasis disabled at device pin + 2" loadboard trace)</b>						
TJ <sub>TX</sub>	Total jitter <sup>(1)</sup>	UI = 333ps, ±K28.5 control character; PE2/PE1 = 0 V		35	63	ps-pp
DJ <sub>TX</sub>	Deterministic jitter <sup>(1)</sup>	UI = 333ps, ±K28.5 control character; PE2/PE1 = 0 V		8	33	ps-pp
RJ <sub>TX</sub>	Random jitter <sup>(1)</sup>	UI = 333ps, ±K28.7 control character; PE2/PE1 = 0 V		1.9	2.1	ps-rms
<b>Jitter (with pre-emphasis enabled and measured as shown in <a href="#">Figure 6</a>)</b>						
TJ <sub>TX</sub>	Total jitter <sup>(1)</sup>	UI = 333ps, ±K28.5 control character; PE2/PE1 = VCC		35	97	ps-pp
DJ <sub>TX</sub>	Deterministic jitter <sup>(1)</sup>	UI = 333ps, ±K28.5 control character; PE2/PE1 = VCC		8	67	Uip-p
RJ <sub>TX</sub>	Random jitter <sup>(1)</sup>	UI = 333ps, ±K28.7 control character; PE2/PE1 = VCC		1.9	2.1	ps-rms

(1) TJ = (14.1×RJSD + DJ) where RJSD is one standard deviation value of RJ Gaussian distribution. TJ measurement is at the SATA connector and includes jitter generated at the package connection on the printed circuit board, and at the board interconnect.

SN75LVCP412CD

SLLSE62 – DECEMBER 2010

www.ti.com

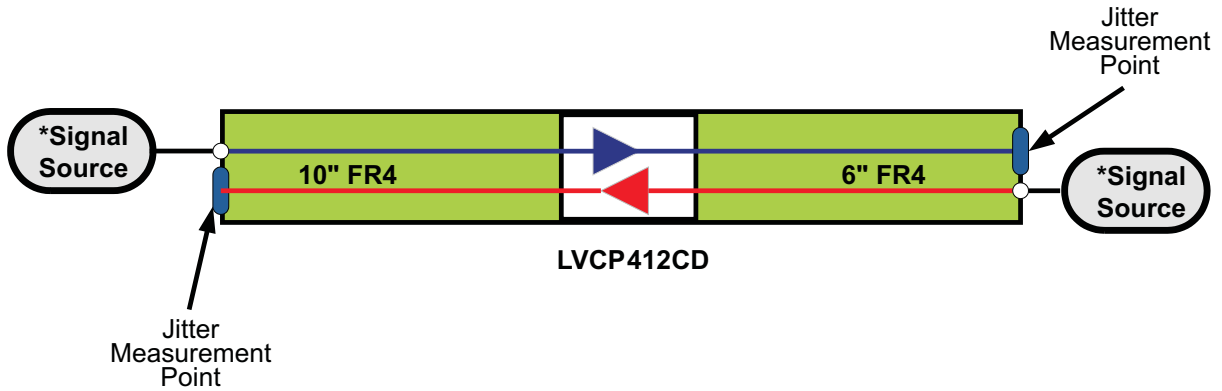
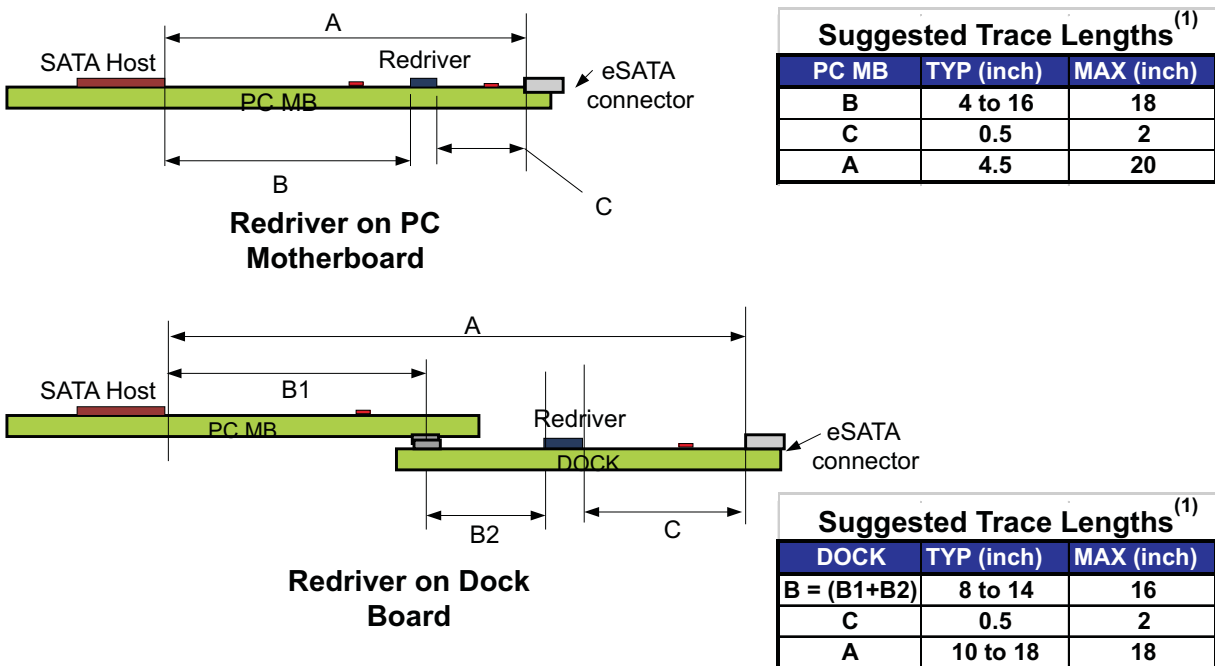


Figure 6. Jitter Measurement Setup



(1) Trace lengths are suggested values based on TI lab measurements (taken with output pre-emphasis enabled on both channels) to meet SATA loss and jitter spec.

Actual trace length supported by the LVCP412CD may be more or less than suggested values and will depend on board layout, number of connectors used in the SATA signal path, and SATA host and eSATA connector design.

Figure 7. Suggested Trace Length for LVCP412CD in PC MB and Dock

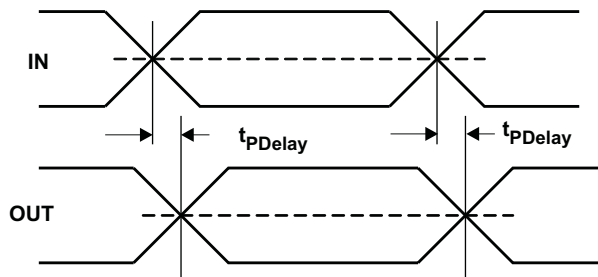


Figure 8. Propagation Delay Timing Diagram

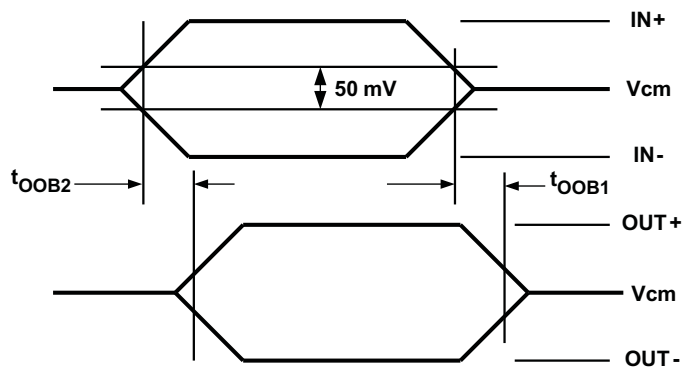


Figure 9. OOB Enter and Exit Timing

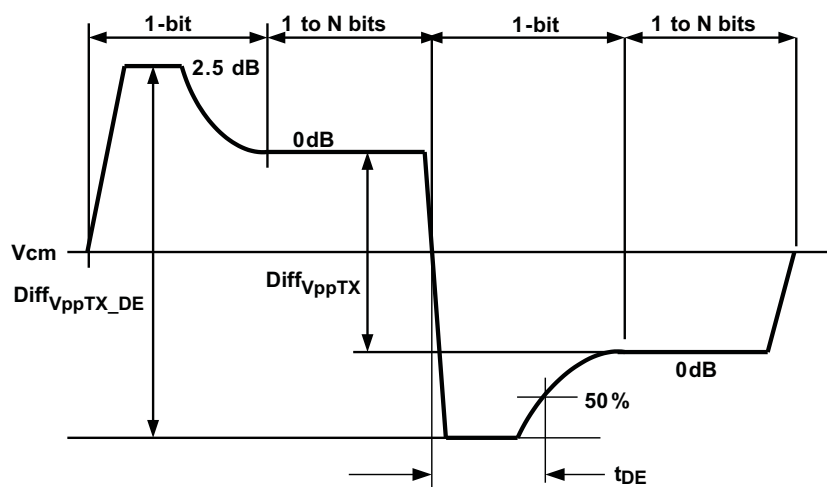


Figure 10. TX Differential Output with 2.5 dB Pre-Emphasis Step

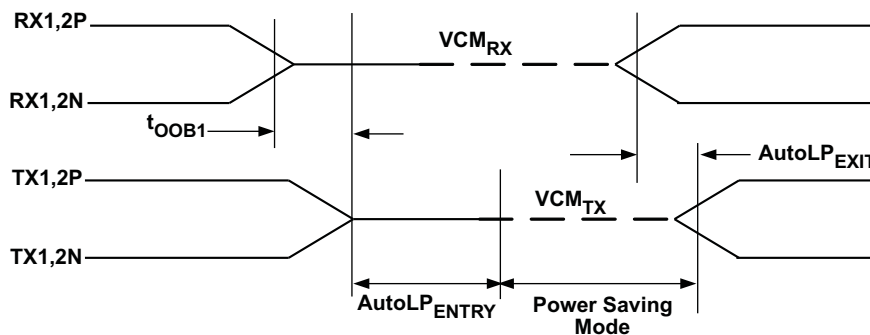
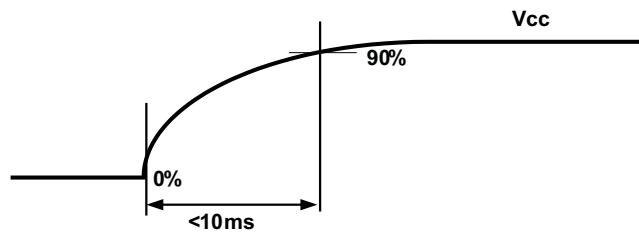


Figure 11. Auto Low Power Mode Timing



**Figure 12. Vcc Waveform Rise Time**

**PACKAGING INFORMATION**

Orderable Device	Status (1)	Package Type	Package Drawing	Pins	Package Qty	Eco Plan (2)	Lead/Ball Finish	MSL Peak Temp (3)	Op Temp (°C)	Top-Side Markings (4)	Samples
SN75LVCP412CDRTJR	ACTIVE	QFN	RTJ	20	3000	Green (RoHS & no Sb/Br)	CU NIPDAU	Level-2-260C-1 YEAR	0 to 85	412CD	<a href="#">Samples</a>
SN75LVCP412CDRTJT	ACTIVE	QFN	RTJ	20	250	Green (RoHS & no Sb/Br)	CU NIPDAU	Level-2-260C-1 YEAR	0 to 85	412CD	<a href="#">Samples</a>

(1) The marketing status values are defined as follows:

**ACTIVE:** Product device recommended for new designs.

**LIFEBUY:** TI has announced that the device will be discontinued, and a lifetime-buy period is in effect.

**NRND:** Not recommended for new designs. Device is in production to support existing customers, but TI does not recommend using this part in a new design.

**PREVIEW:** Device has been announced but is not in production. Samples may or may not be available.

**OBSOLETE:** TI has discontinued the production of the device.

(2) Eco Plan - The planned eco-friendly classification: Pb-Free (RoHS), Pb-Free (RoHS Exempt), or Green (RoHS & no Sb/Br) - please check <http://www.ti.com/productcontent> for the latest availability information and additional product content details.

**TBD:** The Pb-Free/Green conversion plan has not been defined.

**Pb-Free (RoHS):** TI's terms "Lead-Free" or "Pb-Free" mean semiconductor products that are compatible with the current RoHS requirements for all 6 substances, including the requirement that lead not exceed 0.1% by weight in homogeneous materials. Where designed to be soldered at high temperatures, TI Pb-Free products are suitable for use in specified lead-free processes.

**Pb-Free (RoHS Exempt):** This component has a RoHS exemption for either 1) lead-based flip-chip solder bumps used between the die and package, or 2) lead-based die adhesive used between the die and leadframe. The component is otherwise considered Pb-Free (RoHS compatible) as defined above.

**Green (RoHS & no Sb/Br):** TI defines "Green" to mean Pb-Free (RoHS compatible), and free of Bromine (Br) and Antimony (Sb) based flame retardants (Br or Sb do not exceed 0.1% by weight in homogeneous material)

(3) MSL, Peak Temp. -- The Moisture Sensitivity Level rating according to the JEDEC industry standard classifications, and peak solder temperature.

(4) Multiple Top-Side Markings will be inside parentheses. Only one Top-Side Marking contained in parentheses and separated by a "~" will appear on a device. If a line is indented then it is a continuation of the previous line and the two combined represent the entire Top-Side Marking for that device.

**Important Information and Disclaimer:** The information provided on this page represents TI's knowledge and belief as of the date that it is provided. TI bases its knowledge and belief on information provided by third parties, and makes no representation or warranty as to the accuracy of such information. Efforts are underway to better integrate information from third parties. TI has taken and continues to take reasonable steps to provide representative and accurate information but may not have conducted destructive testing or chemical analysis on incoming materials and chemicals. TI and TI suppliers consider certain information to be proprietary, and thus CAS numbers and other limited information may not be available for release.

In no event shall TI's liability arising out of such information exceed the total purchase price of the TI part(s) at issue in this document sold by TI to Customer on an annual basis.

## TAPE AND REEL INFORMATION



### QUADRANT ASSIGNMENTS FOR PIN 1 ORIENTATION IN TAPE



\*All dimensions are nominal

Device	Package Type	Package Drawing	Pins	SPQ	Reel Diameter (mm)	Reel Width W1 (mm)	A0 (mm)	B0 (mm)	K0 (mm)	P1 (mm)	W (mm)	Pin1 Quadrant
SN75LVCP412CDRTJR	QFN	RTJ	20	3000	330.0	12.4	4.25	4.25	1.15	8.0	12.0	Q2
SN75LVCP412CDRTJT	QFN	RTJ	20	250	180.0	12.4	4.25	4.25	1.15	8.0	12.0	Q2



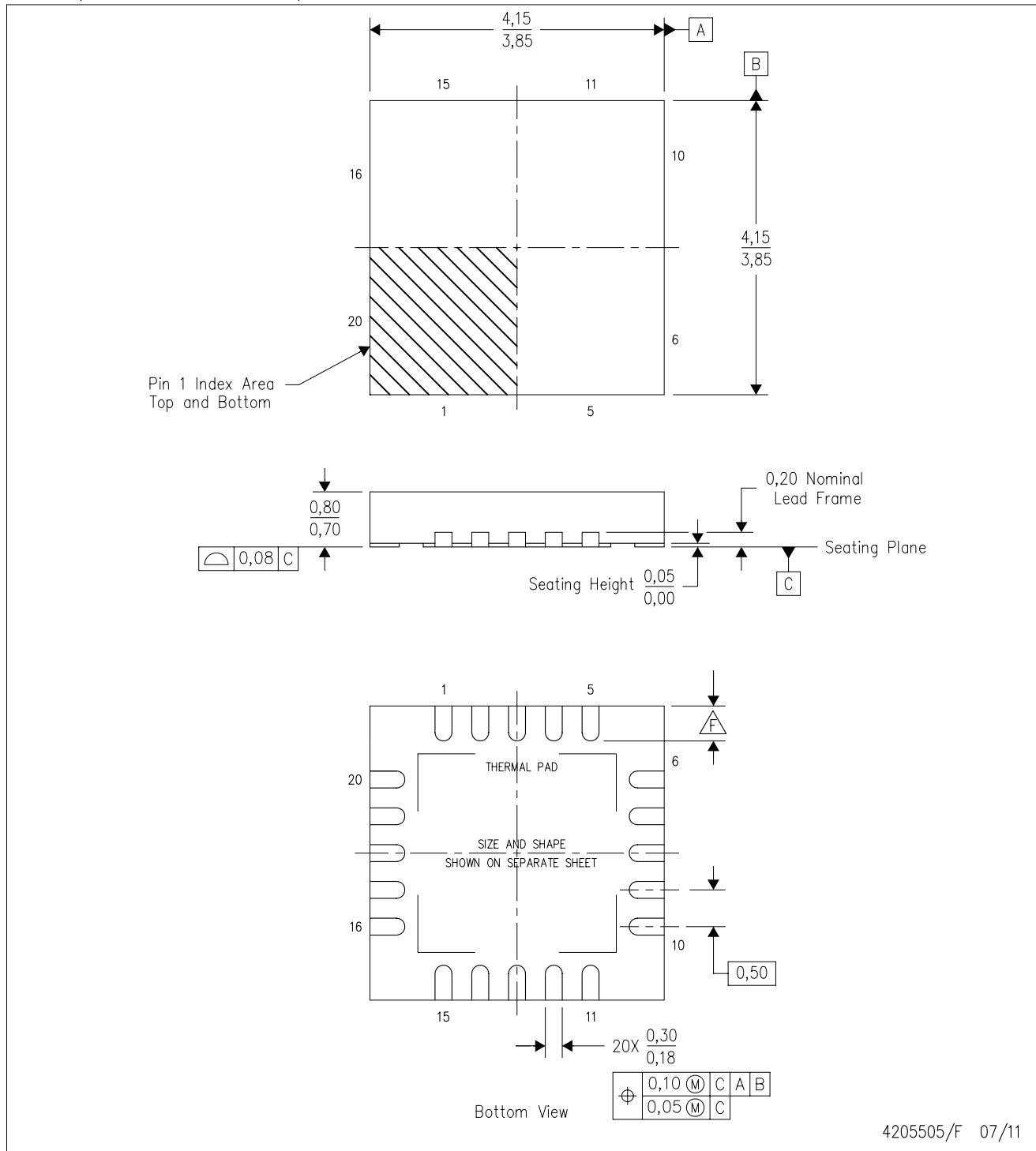
**TAPE AND REEL BOX DIMENSIONS**


\*All dimensions are nominal

Device	Package Type	Package Drawing	Pins	SPQ	Length (mm)	Width (mm)	Height (mm)
SN75LVCP412CDRTJR	QFN	RTJ	20	3000	367.0	367.0	35.0
SN75LVCP412CDRTJT	QFN	RTJ	20	250	210.0	185.0	35.0

RTJ (S-PWQFN-N20)

PLASTIC QUAD FLATPACK NO-LEAD



4205505/F 07/11

- NOTES:
- A. All linear dimensions are in millimeters. Dimensioning and tolerancing per ASME Y14.5-1994.
  - B. This drawing is subject to change without notice.
  - C. QFN (Quad Flatpack No-Lead) package configuration.
  - D. The package thermal pad must be soldered to the board for thermal and mechanical performance.
  - E. See the additional figure in the Product Data Sheet for details regarding the exposed thermal pad features and dimensions.
- ⚠ Check thermal pad mechanical drawing in the product datasheet for nominal lead length dimensions.

RTJ (S-PWQFN-N20)

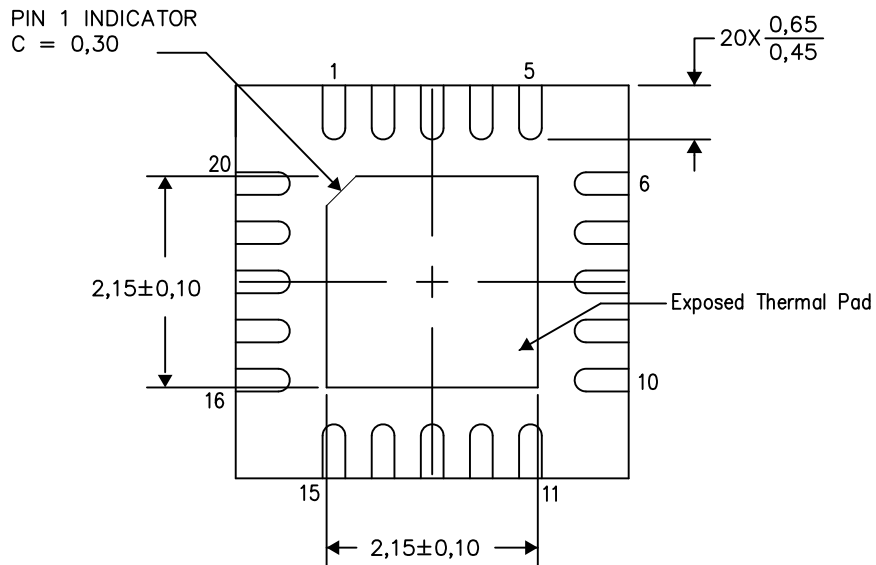
PLASTIC QUAD FLATPACK NO-LEAD

THERMAL INFORMATION

This package incorporates an exposed thermal pad that is designed to be attached directly to an external heatsink. The thermal pad must be soldered directly to the printed circuit board (PCB). After soldering, the PCB can be used as a heatsink. In addition, through the use of thermal vias, the thermal pad can be attached directly to the appropriate copper plane shown in the electrical schematic for the device, or alternatively, can be attached to a special heatsink structure designed into the PCB. This design optimizes the heat transfer from the integrated circuit (IC).

For information on the Quad Flatpack No-Lead (QFN) package and its advantages, refer to Application Report, QFN/SON PCB Attachment, Texas Instruments Literature No. SLUA271. This document is available at [www.ti.com](http://www.ti.com).

The exposed thermal pad dimensions for this package are shown in the following illustration.



Bottom View

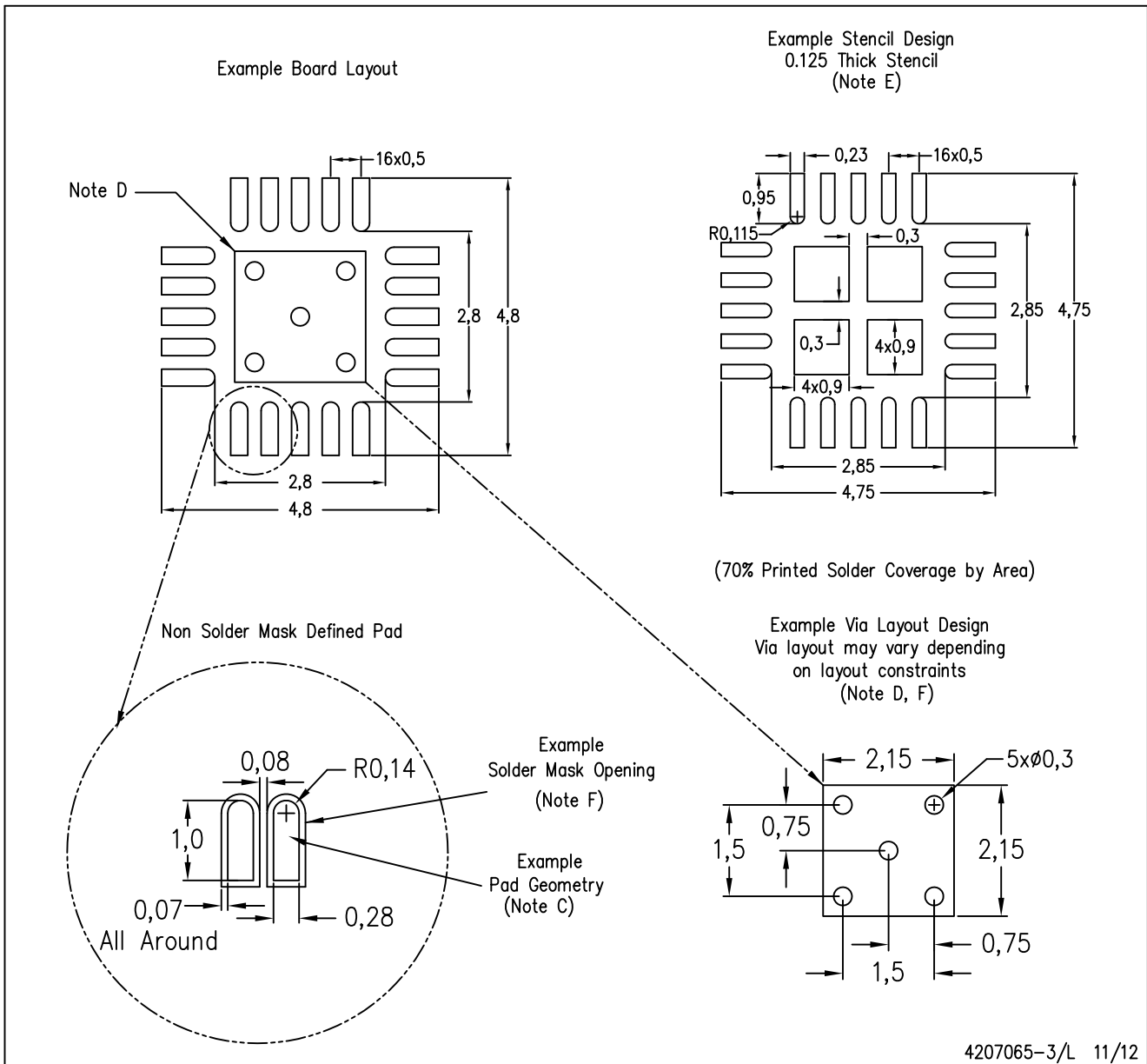
Exposed Thermal Pad Dimensions

4206256-3/R 11/12

NOTE: All linear dimensions are in millimeters

RTJ (S-PWQFN-N20)

PLASTIC QUAD FLATPACK NO-LEAD



- NOTES:
- A. All linear dimensions are in millimeters.
  - B. This drawing is subject to change without notice.
  - C. Publication IPC-7351 is recommended for alternate designs.
  - D. This package is designed to be soldered to a thermal pad on the board. Refer to Application Note, Quad Flat-Pack Packages, Texas Instruments Literature No. SLUA271, and also the Product Data Sheets for specific thermal information, via requirements, and recommended board layout. These documents are available at [www.ti.com](http://www.ti.com) <<http://www.ti.com>>.
  - E. Laser cutting apertures with trapezoidal walls and also rounding corners will offer better paste release. Customers should contact their board assembly site for stencil design recommendations. Refer to IPC 7525 for stencil design considerations.
  - F. Customers should contact their board fabrication site for recommended solder mask tolerances and via tenting recommendations for vias placed in the thermal pad.

## IMPORTANT NOTICE

Texas Instruments Incorporated and its subsidiaries (TI) reserve the right to make corrections, enhancements, improvements and other changes to its semiconductor products and services per JESD46, latest issue, and to discontinue any product or service per JESD48, latest issue. Buyers should obtain the latest relevant information before placing orders and should verify that such information is current and complete. All semiconductor products (also referred to herein as "components") are sold subject to TI's terms and conditions of sale supplied at the time of order acknowledgment.

TI warrants performance of its components to the specifications applicable at the time of sale, in accordance with the warranty in TI's terms and conditions of sale of semiconductor products. Testing and other quality control techniques are used to the extent TI deems necessary to support this warranty. Except where mandated by applicable law, testing of all parameters of each component is not necessarily performed.

TI assumes no liability for applications assistance or the design of Buyers' products. Buyers are responsible for their products and applications using TI components. To minimize the risks associated with Buyers' products and applications, Buyers should provide adequate design and operating safeguards.

TI does not warrant or represent that any license, either express or implied, is granted under any patent right, copyright, mask work right, or other intellectual property right relating to any combination, machine, or process in which TI components or services are used. Information published by TI regarding third-party products or services does not constitute a license to use such products or services or a warranty or endorsement thereof. Use of such information may require a license from a third party under the patents or other intellectual property of the third party, or a license from TI under the patents or other intellectual property of TI.

Reproduction of significant portions of TI information in TI data books or data sheets is permissible only if reproduction is without alteration and is accompanied by all associated warranties, conditions, limitations, and notices. TI is not responsible or liable for such altered documentation. Information of third parties may be subject to additional restrictions.

Resale of TI components or services with statements different from or beyond the parameters stated by TI for that component or service voids all express and any implied warranties for the associated TI component or service and is an unfair and deceptive business practice. TI is not responsible or liable for any such statements.

Buyer acknowledges and agrees that it is solely responsible for compliance with all legal, regulatory and safety-related requirements concerning its products, and any use of TI components in its applications, notwithstanding any applications-related information or support that may be provided by TI. Buyer represents and agrees that it has all the necessary expertise to create and implement safeguards which anticipate dangerous consequences of failures, monitor failures and their consequences, lessen the likelihood of failures that might cause harm and take appropriate remedial actions. Buyer will fully indemnify TI and its representatives against any damages arising out of the use of any TI components in safety-critical applications.

In some cases, TI components may be promoted specifically to facilitate safety-related applications. With such components, TI's goal is to help enable customers to design and create their own end-product solutions that meet applicable functional safety standards and requirements. Nonetheless, such components are subject to these terms.

No TI components are authorized for use in FDA Class III (or similar life-critical medical equipment) unless authorized officers of the parties have executed a special agreement specifically governing such use.

Only those TI components which TI has specifically designated as military grade or "enhanced plastic" are designed and intended for use in military/aerospace applications or environments. Buyer acknowledges and agrees that any military or aerospace use of TI components which have **not** been so designated is solely at the Buyer's risk, and that Buyer is solely responsible for compliance with all legal and regulatory requirements in connection with such use.

TI has specifically designated certain components as meeting ISO/TS16949 requirements, mainly for automotive use. In any case of use of non-designated products, TI will not be responsible for any failure to meet ISO/TS16949.

### Products

Audio	<a href="http://www.ti.com/audio">www.ti.com/audio</a>
Amplifiers	<a href="http://amplifier.ti.com">amplifier.ti.com</a>
Data Converters	<a href="http://dataconverter.ti.com">dataconverter.ti.com</a>
DLP® Products	<a href="http://www.dlp.com">www.dlp.com</a>
DSP	<a href="http://dsp.ti.com">dsp.ti.com</a>
Clocks and Timers	<a href="http://www.ti.com/clocks">www.ti.com/clocks</a>
Interface	<a href="http://interface.ti.com">interface.ti.com</a>
Logic	<a href="http://logic.ti.com">logic.ti.com</a>
Power Mgmt	<a href="http://power.ti.com">power.ti.com</a>
Microcontrollers	<a href="http://microcontroller.ti.com">microcontroller.ti.com</a>
RFID	<a href="http://www.ti-rfid.com">www.ti-rfid.com</a>
OMAP Applications Processors	<a href="http://www.ti.com/omap">www.ti.com/omap</a>
Wireless Connectivity	<a href="http://www.ti.com/wirelessconnectivity">www.ti.com/wirelessconnectivity</a>

### Applications

Automotive and Transportation	<a href="http://www.ti.com/automotive">www.ti.com/automotive</a>
Communications and Telecom	<a href="http://www.ti.com/communications">www.ti.com/communications</a>
Computers and Peripherals	<a href="http://www.ti.com/computers">www.ti.com/computers</a>
Consumer Electronics	<a href="http://www.ti.com/consumer-apps">www.ti.com/consumer-apps</a>
Energy and Lighting	<a href="http://www.ti.com/energy">www.ti.com/energy</a>
Industrial	<a href="http://www.ti.com/industrial">www.ti.com/industrial</a>
Medical	<a href="http://www.ti.com/medical">www.ti.com/medical</a>
Security	<a href="http://www.ti.com/security">www.ti.com/security</a>
Space, Avionics and Defense	<a href="http://www.ti.com/space-avionics-defense">www.ti.com/space-avionics-defense</a>
Video and Imaging	<a href="http://www.ti.com/video">www.ti.com/video</a>

### TI E2E Community

[e2e.ti.com](http://e2e.ti.com)