



Low-Power Dual Digital Isolators

Check for Samples: [ISO7421E-Q1](#)

FEATURES

- Qualified for Automotive Applications
- AEC-Q100 Qualified with the following results:
 - Device Temperature Grade 1: -40°C to +125°C Ambient Operating Temperature Range
 - Device HBM ESD Classification Level H3A
 - Device CDM ESD Classification Level C4
- Propagation Delay Less Than 20 ns
- Low Power Consumption
- Wide Ambient Temperature: -40°C to 125°C
- Safety and Regulatory Approvals
 - 4 kV peak Maximum Isolation, 2.5 kVrms per UL 1577, IEC/VDE and CSA Approved, IEC 60950-1, IEC 61010-1 End Equipment Standards Approved. All Approvals Pending.
- 50 kV/μs Transient Immunity Typical
- Operates From 3.3 V or 5 V Supply and Logic Levels

APPLICATIONS

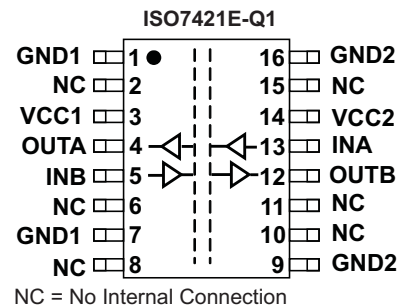
- Opto-Coupler Replacement in:
 - Servo Control Interface
 - Motor Control
 - Power Supply
 - Battery Packs

DESCRIPTION

The ISO7421E-Q1 provides double galvanic isolation of up to 2.5 kVrms for 1 minute per UL. This digital isolator has two isolation channels in a bi-directional configuration. Each isolation channel has a logic input and output buffer separated by a silicon oxide (SiO₂) insulation barrier. Used in conjunction with isolated power supplies, these devices prevent noise currents on a data bus or other circuits from entering the local ground and interfering with or damaging sensitive circuitry.

The devices have TTL input thresholds and require two supply voltages, 3.3 V or 5 V, or any combination. All inputs are 5-V tolerant when supplied from a 3.3-V supply.

Note: The ISO7421E-Q1 is specified for signaling rates up to 50 Mbps. Due to their fast response time, under most cases, these devices will also transmit data with much shorter pulse widths. Designers should add external filtering to remove spurious signals with input pulse duration < 20 ns if desired.



Please be aware that an important notice concerning availability, standard warranty, and use in critical applications of Texas Instruments semiconductor products and disclaimers thereto appears at the end of this data sheet.

ISO7421E-Q1

SLLSEA5B – MARCH 2012 – REVISED JUNE 2012

www.ti.com



These devices have limited built-in ESD protection. The leads should be shorted together or the device placed in conductive foam during storage or handling to prevent electrostatic damage to the MOS gates.

Table 1. PIN DESCRIPTIONS

PIN		I/O	DESCRIPTION
NAME	ISO7421E-Q1		
INA	13	I	Input, channel A
INB	5	–	Input, channel B
GND1	1, 7	–	Ground connection for V_{CC1}
GND2	9, 16	O	Ground connection for V_{CC2}
OUTA	4	O	Output, channel A
OUTB	12	–	Output, channel B
V_{CC1}	14	–	Power supply, V_{CC1}
V_{CC2}	14	-	Power supply, V_{CC2}
NC	2, 6, 8, 10, 11, 15		No Connect Pin

DEVICE FUNCTION TABLE

INPUT SIDE (V_{CC}) ⁽¹⁾	OUTPUT SIDE (V_{CC}) ⁽¹⁾	INPUT (IN) ⁽¹⁾	OUTPUT (OUT) ⁽¹⁾
PU	PU	H	H
		L	L
		Open	H
PD	PU	X	H

(1) PU = Powered Up ($V_{CC} \geq 3.15V$); PD = Powered Down ($V_{CC} \leq 2.4V$); X = Irrelevant; H = High Level; L = Low Level

AVAILABLE OPTIONS

PRODUCT	RATED T_A	MARKED AS	ORDERING NUMBER
ISO7421E-Q1	–40°C to 125°C	ISO7421EQ	ISO7421EQDWRQ1

ABSOLUTE MAXIMUM RATINGS⁽¹⁾

				VALUE		UNIT
				MIN	MAX	
V_{CC}	Supply voltage ⁽²⁾ , V_{CC1} , V_{CC2}			–0.5	6	V
V_I	Voltage at IN, OUT			–0.5	6	V
I_O	Output Current				±15	mA
ESD	Electrostatic discharge	Human Body Model	AEC-Q100 Classification Level H3A	All pins	4	kV
		Charged Device Model	AEC-Q100 Classification Level C4		1	kV
T_J	Maximum junction temperature				150	°C

- (1) Stresses beyond those listed under *Absolute Maximum Ratings* may cause permanent damage to the device. These are stress ratings only and functional operation of the device at these or any other conditions beyond those indicated under *Recommended Operating Conditions* is not implied. Exposure to absolute-maximum-rated conditions for extended periods may affect device reliability.
- (2) All voltage values except differential I/O bus voltages are with respect to network ground terminal and are peak voltage values.

THERMAL INFORMATION

THERMAL METRIC ⁽¹⁾		ISO7421E-Q1	UNITS
		DW (16 Pins)	
θ_{JA}	Junction-to-ambient thermal resistance	79.9	°C/W
θ_{JcTop}	Junction-to-case (top) thermal resistance	44.6	
θ_{JB}	Junction-to-board thermal resistance	51.2	
Ψ_{JT}	Junction-to-top characterization parameter	18.0	
Ψ_{JB}	Junction-to-board characterization parameter	42.2	
θ_{JcBot}	Junction-to-case (bottom) thermal resistance	n/a	
P_D	Device power dissipation, $V_{CC1} = V_{CC2} = 5.25$ V, $T_J = 150^\circ\text{C}$, $C_L = 15$ pF, Input a 0.5 MHz 50% duty cycle square wave	42	mW

(1) For more information about traditional and new thermal metrics, see the *IC Package Thermal Metrics* application report, [SPRA953](#).

RECOMMENDED OPERATING CONDITIONS

over operating free-air temperature range (unless otherwise noted)

		MIN	TYP	MAX	UNIT
V_{CC1}, V_{CC2}	Supply voltage - 3.3V Operation	3.15	3.3	3.45	V
	Supply voltage - 5V Operation	4.75	5	5.25	
I_{OH}	High-level output current	-4			mA
I_{OL}	Low-level output current			4	mA
V_{IH}	High-level output voltage	2		V_{CC}	V
V_{IL}	Low-level output voltage	0		0.8	V
T_A	Ambient Temperature	-40		125	°C
$T_J^{(1)}$	Junction temperature	-40		136	°C
$1/t_{ui}$	Signaling rate	0		50	Mbps
t_{ui}	Input pulse duration	1			µs

(1) To maintain the recommended operating conditions for T_J , see the *Package Thermal Characteristics* table and the *Icc Equations* section of this data sheet

ISO7421E-Q1

SLLSEA5B – MARCH 2012 – REVISED JUNE 2012

www.ti.com

ELECTRICAL CHARACTERISTICS

 V_{CC1} and V_{CC2} at 5 V \pm 5%, $T_A = -40^\circ\text{C}$ to 125°C

PARAMETER		TEST CONDITIONS		MIN	TYP	MAX	UNIT
V_{OH}	High-level output voltage	$I_{OH} = -4$ mA; See Figure 1		$V_{CC} - 0.8$	4.6		V
		$I_{OH} = -20$ μA ; See Figure 1		$V_{CC} - 0.1$	5		
V_{OL}	Low-level output voltage	$I_{OL} = 4$ mA; See Figure 1			0.2	0.4	V
		$I_{OL} = 20$ μA ; See Figure 1			0	0.1	
$V_{I(HYS)}$	Input threshold voltage hysteresis				400		mV
I_{IH}	High-level input current	I_{Nx} at 0 V or V_{CC}				10	μA
I_{IL}	Low-level input current			-10			μA
CMTI	Common-mode transient immunity	$V_I = V_{CC}$ or 0 V; See Figure 3		25	50		kV/ μs
SUPPLY CURRENT (All inputs switching with square wave clock signal for dynamic I_{CC} measurement)							
ISO7420x							
I_{CC1}	Supply current for V_{CC1} and V_{CC2}	DC to 1 Mbps	DC Input: $V_I = V_{CC}$ or 0 V AC Input: $C_L = 15$ pF		0.4	0.8	mA
I_{CC2}					3.4	5	
I_{CC1}		10 Mbps	$C_L = 15$ pF		0.6	1	
I_{CC2}					4.5	6	
I_{CC1}		25 Mbps	$C_L = 15$ pF		1	1.5	
I_{CC2}					6.2	8	
I_{CC1}		50 Mbps	$C_L = 15$ pF		1.7	2.5	
I_{CC2}					9	12	
ISO7421x							
I_{CC1}	Supply current for V_{CC1} and V_{CC2}	DC to 1 Mbps	DC Input: $V_I = V_{CC}$ or 0 V AC Input: $C_L = 15$ pF		2.3	3.6	mA
I_{CC2}					2.3	3.6	
I_{CC1}		10 Mbps	$C_L = 15$ pF		2.9	4.5	
I_{CC2}					2.9	4.5	
I_{CC1}		25 Mbps	$C_L = 15$ pF		4.3	6	
I_{CC2}					4.3	6	
I_{CC1}		50 Mbps	$C_L = 15$ pF		6	9.1	
I_{CC2}					6	9.1	

SWITCHING CHARACTERISTICS

 V_{CC1} and V_{CC2} at 5 V \pm 5%, $T_A = -40^\circ\text{C}$ to 125°C

PARAMETER		TEST CONDITIONS		MIN	TYP	MAX	UNIT
t_{PLH} , t_{PHL}	Propagation delay time	See Figure 1			9	14	ns
PWD ⁽¹⁾	Pulse width distortion $ t_{PHL} - t_{PLH} $				0.3	3.7	ns
$t_{sk(pp)}$	Part-to-part skew time					4.9	ns
$t_{sk(o)}$	Channel-to-channel output skew time					3.6	ns
t_r	Output signal rise time	See Figure 1			1		ns
t_f	Output signal fall time				1		ns
t_{fs}	Fail-safe output delay time from input power loss	See Figure 2			6		μs

(1) Also known as pulse skew.

ELECTRICAL CHARACTERISTICS

 V_{CC1} at 5 V \pm 5%, V_{CC2} at 3.3 V \pm 5%, $T_A = -40^\circ\text{C}$ to 105 $^\circ\text{C}$

PARAMETER		TEST CONDITIONS		MIN	TYP	MAX	UNIT
V_{OH}	High-level output voltage	$I_{OH} = -4$ mA; See Figure 1	5-V side	$V_{CC} - 0.8$	4.6		V
			3.3-V side	$V_{CC} - 0.4$	3		
		$I_{OH} = -20$ μA ; See Figure 1	$V_{CC} - 0.1$	V_{CC}			
V_{OL}	Low-level output voltage	$I_{OL} = 4$ mA; See Figure 1			0.2	0.4	V
		$I_{OL} = 20$ μA ; See Figure 1			0	0.1	
$V_{I(HYS)}$	Input threshold voltage hysteresis				400		mV
I_{IH}	High-level input current	INx at 0 V or V_{CC}				10	μA
I_{IL}	Low-level input current				-10		μA
CMTI	Common-mode transient immunity	$V_I = V_{CC}$ or 0 V; See Figure 3		25	40		kV/ μs
SUPPLY CURRENT (All inputs switching with square wave clock signal for dynamic I_{CC} measurement)							
ISO7420x							
I_{CC1}	Supply current for V_{CC1} and V_{CC2}	DC to 1 Mbps	DC Input: $V_I = V_{CC}$ or 0 V AC Input: $C_L = 15$ pF		0.4	0.8	mA
I_{CC2}					2.6	3.7	
I_{CC1}		10 Mbps	$C_L = 15$ pF		0.6	1	
I_{CC2}					3.3	4.3	
I_{CC1}		25 Mbps	$C_L = 15$ pF		1	1.5	
I_{CC2}					4.4	5.6	
I_{CC1}		50 Mbps	$C_L = 15$ pF		1.7	2.5	
I_{CC2}					6.2	7.5	
ISO7421x							
I_{CC1}	Supply current for V_{CC1} and V_{CC2}	DC to 1 Mbps	DC Input: $V_I = V_{CC}$ or 0 V AC Input: $C_L = 15$ pF		2.3	3.6	mA
I_{CC2}					1.8	2.8	
I_{CC1}		10 Mbps	$C_L = 15$ pF		2.9	4.5	
I_{CC2}					2.2	3.2	
I_{CC1}		25 Mbps	$C_L = 15$ pF		4.3	6	
I_{CC2}					2.8	4.1	
I_{CC1}		50 Mbps	$C_L = 15$ pF		6	9.1	
I_{CC2}					3.8	5.8	

SWITCHING CHARACTERISTICS

 V_{CC1} at 5 V \pm 5%, V_{CC2} at 3.3 V \pm 5%, $T_A = -40^\circ\text{C}$ to 125 $^\circ\text{C}$

PARAMETER		TEST CONDITIONS	MIN	TYP	MAX	UNIT
t_{PLH} , t_{PHL}	Propagation delay time	See Figure 1		10	17	ns
PWD ⁽¹⁾	Pulse width distortion $ t_{PHL} - t_{PLH} $			0.5	5.6	ns
$t_{sk(pp)}$	Part-to-part skew time				6.3	ns
$t_{sk(o)}$	Channel-to-channel output skew time				4	ns
t_r	Output signal rise time	See Figure 1		2		ns
t_f	Output signal fall time			2		ns
t_{fs}	Fail-safe output delay time from input power loss	See Figure 2		6		μs

(1) Also known as pulse skew.

ISO7421E-Q1

SLLSEA5B – MARCH 2012 – REVISED JUNE 2012

www.ti.com

ELECTRICAL CHARACTERISTICS

 V_{CC1} at 3.3 V \pm 5%, V_{CC2} at 5 V \pm 5%, $T_A = -40^\circ\text{C}$ to 125°C

PARAMETER		TEST CONDITIONS		MIN	TYP	MAX	UNIT
V_{OH}	High-level output voltage	$I_{OH} = -4$ mA; See Figure 1	5-V side	$V_{CC} - 0.8$	4.6		V
			3.3-V side	$V_{CC} - 0.4$	3		
		$I_{OH} = -20$ μA ; See Figure 1			$V_{CC} - 0.1$	V_{CC}	
V_{OL}	Low-level output voltage	$I_{OL} = 4$ mA; See Figure 1			0.2	0.4	V
		$I_{OL} = 20$ μA ; See Figure 1			0	0.1	
$V_{I(HYS)}$	Input threshold voltage hysteresis				400		mV
I_{IH}	High-level input current	I_{Nx} at 0 V or V_{CC}				10	μA
I_{IL}	Low-level input current			-10			μA
CMTI	Common-mode transient immunity	$V_I = V_{CC}$ or 0 V; See Figure 3		25	40		kV/ μs
SUPPLY CURRENT (All inputs switching with square wave clock signal for dynamic I_{CC} measurement)							
ISO7420x							
I_{CC1}	Supply current for V_{CC1} and V_{CC2}	DC to 1 Mbps	DC Input: $V_I = V_{CC}$ or 0 V AC Input: $C_L = 15$ pF		0.2	0.4	mA
I_{CC2}					3.4	5	
I_{CC1}		10 Mbps	$C_L = 15$ pF		0.4	0.6	
I_{CC2}					4.5	6	
I_{CC1}		25 Mbps	$C_L = 15$ pF		0.6	0.9	
I_{CC2}					6.2	8	
I_{CC1}		50 Mbps	$C_L = 15$ pF		1	1.3	
I_{CC2}					9	12	
ISO7421x							
I_{CC1}	Supply current for V_{CC1} and V_{CC2}	DC to 1 Mbps	DC Input: $V_I = V_{CC}$ or 0 V AC Input: $C_L = 15$ pF		1.8	2.8	mA
I_{CC2}					2.3	3.6	
I_{CC1}		10 Mbps	$C_L = 15$ pF		2.2	3.2	
I_{CC2}					2.9	4.5	
I_{CC1}		25 Mbps	$C_L = 15$ pF		2.8	4.1	
I_{CC2}					4.3	6	
I_{CC1}		50 Mbps	$C_L = 15$ pF		3.8	5.8	
I_{CC2}					6	9.1	

SWITCHING CHARACTERISTICS

 V_{CC1} at 3.3 V \pm 5%, V_{CC2} at 5 V \pm 5%, $T_A = -40^\circ\text{C}$ to 125°C

PARAMETER		TEST CONDITIONS	MIN	TYP	MAX	UNIT
t_{PLH} , t_{PHL}	Propagation delay time	See Figure 1		10	17	ns
PWD ⁽¹⁾	Pulse width distortion $ t_{PHL} - t_{PLH} $			0.5	4	ns
$t_{sk(pp)}$	Part-to-part skew time				8.5	ns
$t_{sk(o)}$	Channel-to-channel output skew time				4	ns
t_r	Output signal rise time	See Figure 1		2		ns
t_f	Output signal fall time			2		ns
t_{fs}	Fail-safe output delay time from input power loss	See Figure 2		6		μs

(1) Also known as pulse skew.

ELECTRICAL CHARACTERISTICS

 V_{CC1} and V_{CC2} at 3.3 V \pm 5%, $T_A = -40^\circ\text{C}$ to 125°C

PARAMETER		TEST CONDITIONS		MIN	TYP	MAX	UNIT
V_{OH}	High-level output voltage	$I_{OH} = -4$ mA; See Figure 1		$V_{CC} - 0.4$	3		V
		$I_{OH} = -20$ μA ; See Figure 1		$V_{CC} - 0.1$	3.3		
V_{OL}	Low-level output voltage	$I_{OL} = 4$ mA; See Figure 1			0.2	0.4	V
		$I_{OL} = 20$ μA ; See Figure 1			0	0.1	
$V_{I(HYS)}$	Input threshold voltage hysteresis				400		mV
I_{IH}	High-level input current	I_{Nx} at 0 V or V_{CC}					μA
I_{IL}	Low-level input current			-10			μA
CMTI	Common-mode transient immunity	$V_I = V_{CC}$ or 0 V; See Figure 3		25	40		kV/ μs
SUPPLY CURRENT (All inputs switching with square wave clock signal for dynamic I_{CC} measurement)							
ISO7420x							
I_{CC1}	Supply current for V_{CC1} and V_{CC2}	DC to 1 Mbps	DC Input: $V_I = V_{CC}$ or 0 V AC Input: $C_L = 15$ pF		0.2	0.4	mA
I_{CC2}					2.6	3.7	
I_{CC1}		10 Mbps	$C_L = 15$ pF		0.4	0.6	
I_{CC2}					3.3	4.3	
I_{CC1}		25 Mbps	$C_L = 15$ pF		0.6	0.9	
I_{CC2}					4.4	5.6	
I_{CC1}		50 Mbps	$C_L = 15$ pF		1	1.3	
I_{CC2}					6.2	7.5	
ISO7421x							
I_{CC1}	Supply current for V_{CC1} and V_{CC2}	DC to 1 Mbps	DC Input: $V_I = V_{CC}$ or 0 V AC Input: $C_L = 15$ pF		1.8	2.8	mA
I_{CC2}					1.8	2.8	
I_{CC1}		10 Mbps	$C_L = 15$ pF		2.2	3.2	
I_{CC2}					2.2	3.2	
I_{CC1}		25 Mbps	$C_L = 15$ pF		2.8	4.1	
I_{CC2}					2.8	4.1	
I_{CC1}		50 Mbps	$C_L = 15$ pF		3.8	5.8	
I_{CC2}					3.8	5.8	

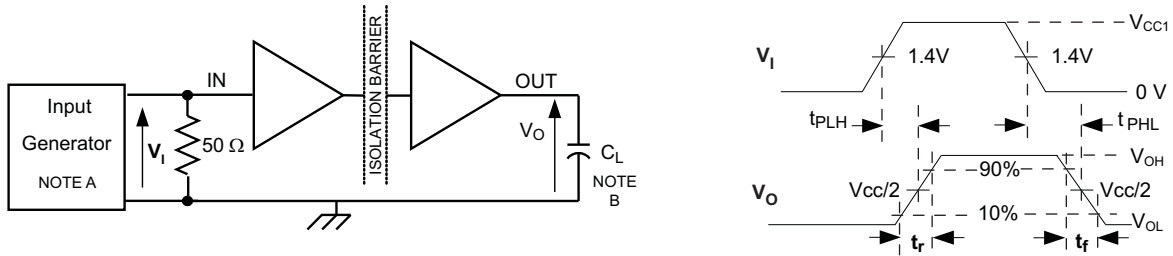
SWITCHING CHARACTERISTICS

 V_{CC1} and V_{CC2} at 3.3 V \pm 5%, $T_A = -40^\circ\text{C}$ to 125°C

PARAMETER		TEST CONDITIONS	MIN	TYP	MAX	UNIT
t_{PLH} , t_{PHL}	Propagation delay time	See Figure 1		12	20	ns
PWD ⁽¹⁾	Pulse width distortion $ t_{PHL} - t_{PLH} $			1	5	ns
$t_{sk(pp)}$	Part-to-part skew time				6.8	ns
$t_{sk(o)}$	Channel-to-channel output skew time				5.5	ns
t_r	Output signal rise time	See Figure 1		2		ns
t_f	Output signal fall time			2		ns
t_{fs}	Fail-safe output delay time from input power loss	See Figure 2		6		μs

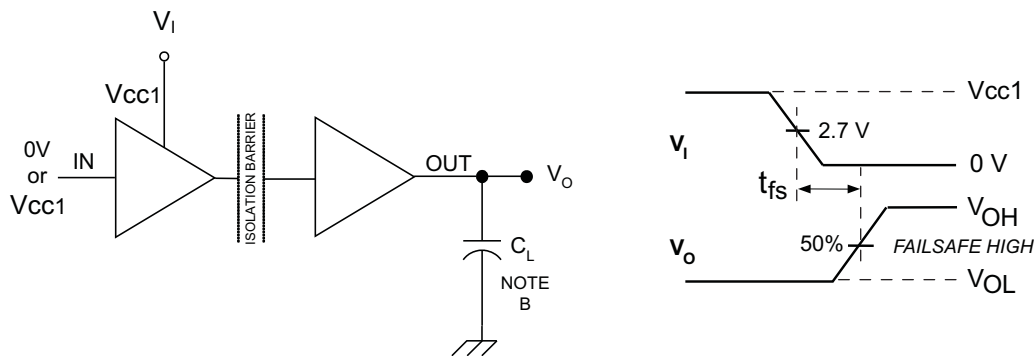
(1) Also known as pulse skew.

PARAMETER MEASUREMENT INFORMATION



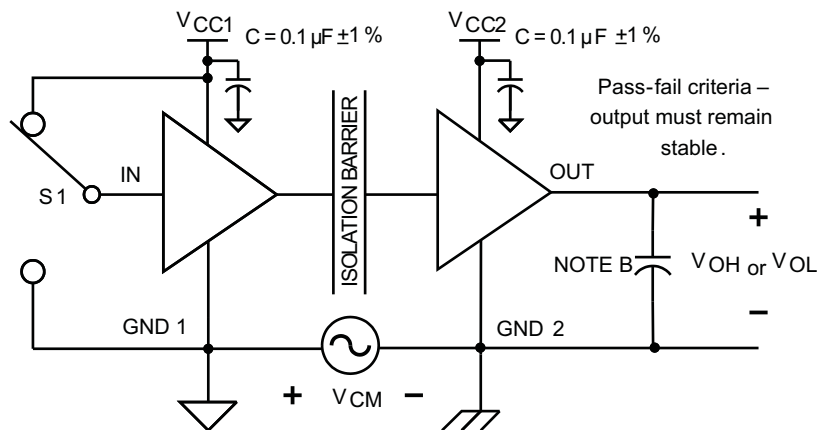
- A. The input pulse is supplied by a generator having the following characteristics: PRR ≤ 50 kHz, 50% duty cycle, $t_r \leq 3\text{ns}$, $t_f \leq 3\text{ns}$, $Z_O = 50\Omega$.
- B. $C_L = 15\text{ pF}$ and includes instrumentation and fixture capacitance within $\pm 20\%$.

Figure 1. Switching Characteristic Test Circuit and Voltage Waveforms



- A. $C_L = 15\text{ pF}$ and includes instrumentation and fixture capacitance within $\pm 20\%$.

Figure 2. Failsafe Delay Time Test Circuit and Voltage Waveforms



- A. $C_L = 15\text{ pF}$ and includes instrumentation and fixture capacitance within $\pm 20\%$.

Figure 3. Common-Mode Transient Immunity Test Circuit

DEVICE INFORMATION

PACKAGE CHARACTERISTICS

over recommended operating conditions (unless otherwise noted)

PARAMETER		TEST CONDITIONS	MIN	TYP	MAX	UNIT
L(I01)	Minimum air gap (Clearance)	Shortest terminal to terminal distance through air	8.34			mm
L(I02)	Minimum external tracking (Creepage)	Shortest terminal to terminal distance across the package surface	8.1			mm
CTI	Tracking resistance (Comparative Tracking Index)	DIN IEC 60112 / VDE 0303 Part 1	≥400			V
	Minimum internal gap (Internal Clearance)	Distance through the insulation	0.014			mm
R _{IO}	Isolation resistance, input to output ⁽¹⁾	Input to output, V _{IO} = 500 V, all pins on each side of the barrier tied together creating a two-terminal device		>10 ¹²		Ω
C _{IO}	Barrier capacitance input to output ⁽¹⁾	V _{IO} = 0.4 sin(2πft), f = 1 MHz		2		pF
C _I	Input capacitance to ground ⁽²⁾	V _I = V _{CC} /2 + 0.4 sin(2πft), f = 1 MHz, V _{CC} = 5 V		2		pF

(1) All pins on each side of the barrier tied together creating a two-terminal device.

(2) Measured from input pin to ground.

NOTE

Creepage and clearance requirements should be applied according to the specific equipment isolation standards of an application. Care should be taken to maintain the creepage and clearance distance of a board design to ensure that the mounting pads of the isolator on the printed circuit board do not reduce this distance

Creepage and clearance on a printed circuit board become equal according to the measurement techniques shown in the Isolation Glossary. Techniques such as inserting grooves and/or ribs on a printed circuit board are used to help increase these specifications.

IEC 60664-1 RATINGS TABLE

PARAMETER	TEST CONDITIONS	SPECIFICATION
Basic Isolation Group	Material Group	II
Installation Classification	Rated mains voltages ≤ 150 Vrms	I - IV
	Rated mains voltages ≤ 300 Vrms	I - IV
	Rated mains voltages ≤ 400 Vrms	I - III

ISO7421E-Q1

SLLSEA5B – MARCH 2012 – REVISED JUNE 2012

www.ti.com

INSULATION CHARACTERISTICS

over recommended operating conditions (unless otherwise noted)

PARAMETER		TEST CONDITIONS	SPECIFICATION	UNIT
V_{IORM}	Maximum working insulation voltage		1414	Vpeak
V_{PR}	Input to output test voltage	Method a, After environmental tests subgroup 1, $V_{PR} = V_{IORM} \times 1.6$, $t = 10$ s, Partial discharge < 5 pC	2262	Vpeak
		Method b1, $V_{PR} = V_{IORM} \times 1.875$, $t = 1$ s (100% Production test) Partial discharge < 5 pC	2651	
		After Input/Output Safety Test Subgroup 2/3, $V_{PR} = V_{IORM} \times 1.2$, $t = 10$ s, Partial discharge < 5 pC	1697	
V_{IOTM}	Transient overvoltage	$t = 60$ sec (qualification)	4242	Vpeak
V_{ISO}	Isolation voltage per UL	$V_{TEST} = V_{ISO}$, $t = 60$ sec (qualification)	2500	Vrms
		$t = 1$ sec (100% production)	3000	
R_S	Insulation resistance	$V_{TEST} = 500$ V at $T_S = 150^\circ\text{C}$	$>10^9$	Ω
	Pollution degree		2	

REGULATORY INFORMATION

VDE	CSA	UL
Certified according to IEC 60747-5-2	Approved under CSA Component Acceptance Notice	Recognized under 1577 Component Recognition Program
File Number: pending	File Number: pending	File Number: E181974

IEC SAFETY LIMITING VALUES

Safety limiting intends to prevent potential damage to the isolation barrier upon failure of input or output circuitry. A failure of the IO can allow low resistance to ground or the supply and, without current limiting, dissipate sufficient power to overheat the die and damage the isolation barrier potentially leading to secondary system failures.

PARAMETER		TEST CONDITIONS	MIN	TYP	MAX	UNIT
I_S	Safety input, output, or supply current	$\theta_{JA} = 212^\circ\text{C/W}$, $V_I = 5.5$ V, $T_J = 170^\circ\text{C}$, $T_A = 25^\circ\text{C}$			112	mA
		$\theta_{JA} = 212^\circ\text{C/W}$, $V_I = 3.6$ V, $T_J = 170^\circ\text{C}$, $T_A = 25^\circ\text{C}$			171	
T_S	Maximum Case Temperature				150	$^\circ\text{C}$

The safety-limiting constraint is the absolute maximum junction temperature specified in the absolute maximum ratings table. The power dissipation and junction-to-air thermal impedance of the device installed in the application hardware determines the junction temperature. The assumed junction-to-air thermal resistance in the Thermal Characteristics table is that of a device installed on a High-K Test Board for Leaded Surface Mount Packages. The power is the recommended maximum input voltage times the current. The junction temperature is then the ambient temperature plus the power times the junction-to-air thermal resistance.

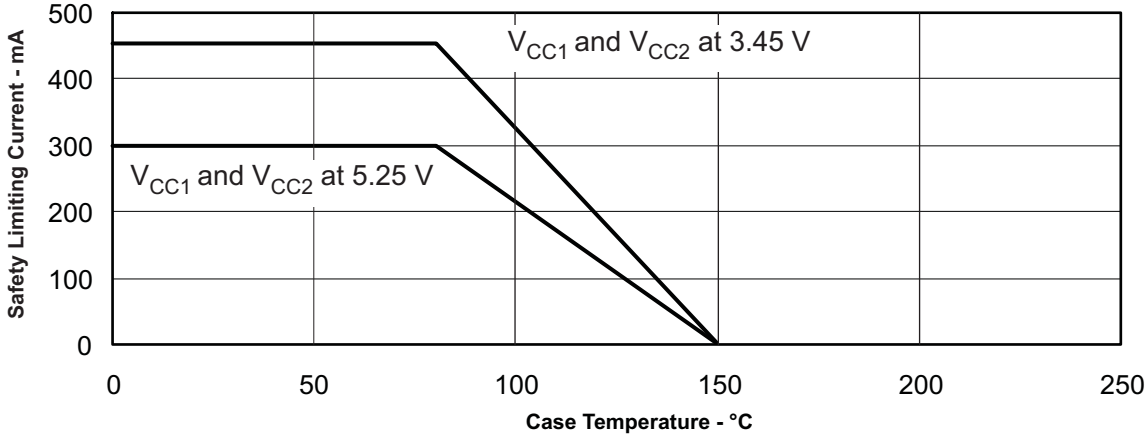


Figure 4. DW-16 Theta-JC Thermal Derating Curve per IEC 60747-5-2

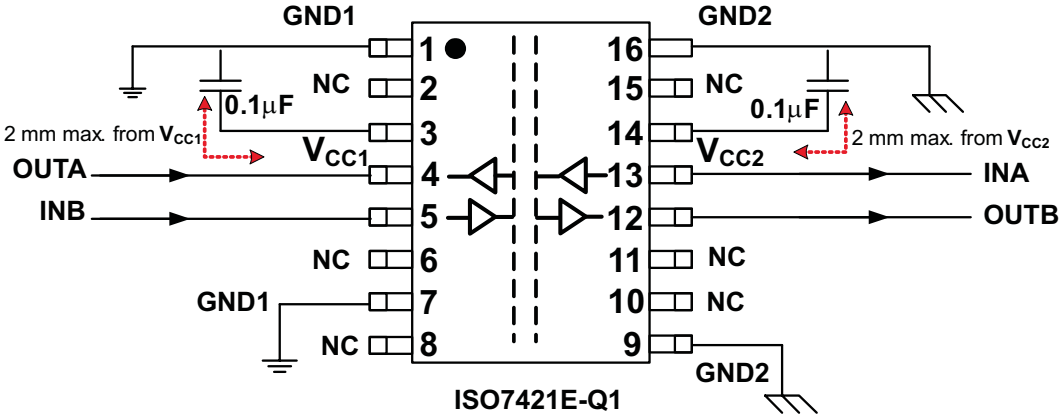


Figure 5. Typical ISO7421E-Q1 Application Circuit

EQUIVALENT INPUT AND OUTPUT SCHEMATIC DIAGRAMS

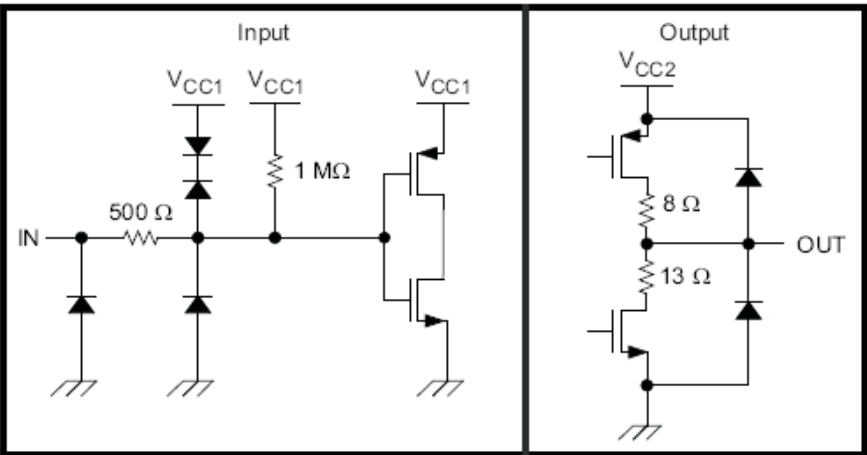


Figure 6. I/O Schematic

TYPICAL CHARACTERISTICS

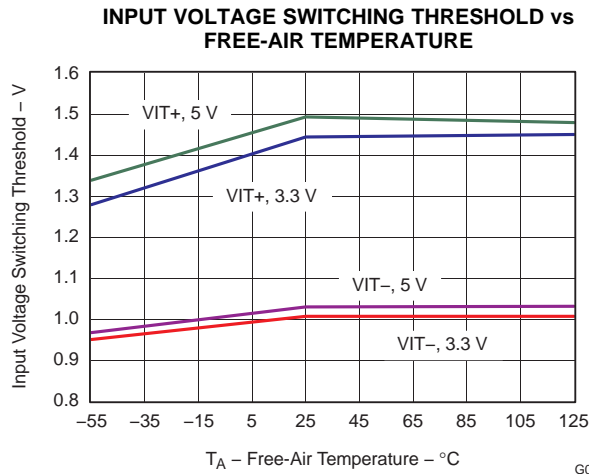


Figure 7.

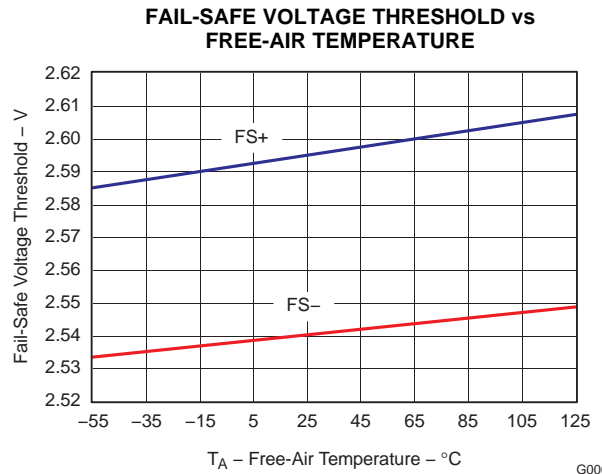


Figure 8.

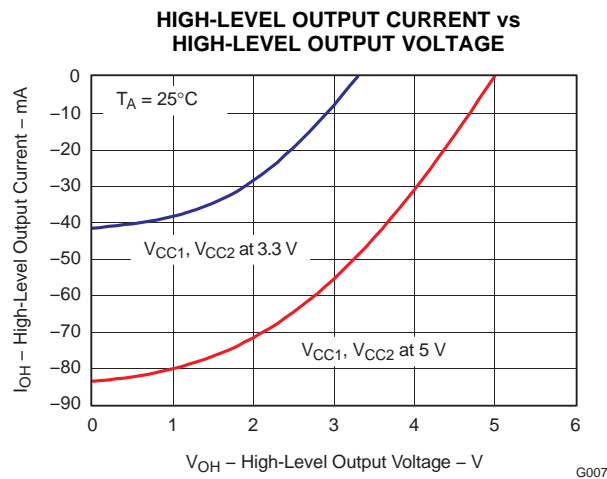


Figure 9.

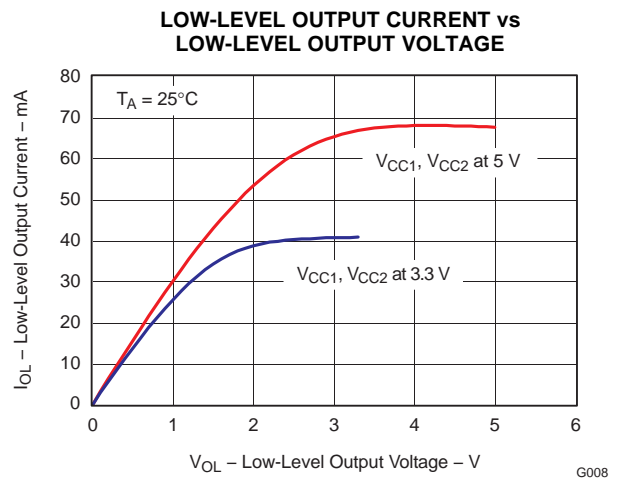


Figure 10.

REVISION HISTORY

Changes from Revision A (March 2012) to Revision B	Page
• Changed signaling rate info from 1 to 50 Mbps.	1
• Changed Signaling rate max value from 1 to 50 Mbps, centered 0 in the min column.	3
• Replaced Supply Current section with marked up table from commercial datasheet SLLSE45, changed 8.5 max value to 9.1.	4
• Replaced Supply Current section with marked up table from commercial datasheet SLLSE45, changed 8.5 max value to 9.1 and changed 5.5 max value to 5.8.	5
• Replaced Supply Current section with marked up table from commercial datasheet SLLSE45, changed 5.5 max value to 5.8 and changed 8.5 max value to 9.1.	6
• Replaced Supply Current section with marked up table from commercial datasheet SLLSE45, changed 5.5 max value to 5.8.	7

PACKAGING INFORMATION

Orderable Device	Status ⁽¹⁾	Package Type	Package Drawing	Pins	Package Qty	Eco Plan ⁽²⁾	Lead/ Ball Finish	MSL Peak Temp ⁽³⁾	Samples (Requires Login)
ISO7421EQDWRQ1	ACTIVE	SOIC	DW	16	2000	Green (RoHS & no Sb/Br)	CU NIPDAU	Level-3-260C-168 HR	

⁽¹⁾ The marketing status values are defined as follows:

ACTIVE: Product device recommended for new designs.

LIFEBUY: TI has announced that the device will be discontinued, and a lifetime-buy period is in effect.

NRND: Not recommended for new designs. Device is in production to support existing customers, but TI does not recommend using this part in a new design.

PREVIEW: Device has been announced but is not in production. Samples may or may not be available.

OBSOLETE: TI has discontinued the production of the device.

⁽²⁾ Eco Plan - The planned eco-friendly classification: Pb-Free (RoHS), Pb-Free (RoHS Exempt), or Green (RoHS & no Sb/Br) - please check <http://www.ti.com/productcontent> for the latest availability information and additional product content details.

TBD: The Pb-Free/Green conversion plan has not been defined.

Pb-Free (RoHS): TI's terms "Lead-Free" or "Pb-Free" mean semiconductor products that are compatible with the current RoHS requirements for all 6 substances, including the requirement that lead not exceed 0.1% by weight in homogeneous materials. Where designed to be soldered at high temperatures, TI Pb-Free products are suitable for use in specified lead-free processes.

Pb-Free (RoHS Exempt): This component has a RoHS exemption for either 1) lead-based flip-chip solder bumps used between the die and package, or 2) lead-based die adhesive used between the die and leadframe. The component is otherwise considered Pb-Free (RoHS compatible) as defined above.

Green (RoHS & no Sb/Br): TI defines "Green" to mean Pb-Free (RoHS compatible), and free of Bromine (Br) and Antimony (Sb) based flame retardants (Br or Sb do not exceed 0.1% by weight in homogeneous material)

⁽³⁾ MSL, Peak Temp. -- The Moisture Sensitivity Level rating according to the JEDEC industry standard classifications, and peak solder temperature.

Important Information and Disclaimer: The information provided on this page represents TI's knowledge and belief as of the date that it is provided. TI bases its knowledge and belief on information provided by third parties, and makes no representation or warranty as to the accuracy of such information. Efforts are underway to better integrate information from third parties. TI has taken and continues to take reasonable steps to provide representative and accurate information but may not have conducted destructive testing or chemical analysis on incoming materials and chemicals. TI and TI suppliers consider certain information to be proprietary, and thus CAS numbers and other limited information may not be available for release.

In no event shall TI's liability arising out of such information exceed the total purchase price of the TI part(s) at issue in this document sold by TI to Customer on an annual basis.

OTHER QUALIFIED VERSIONS OF ISO7421E-Q1 :

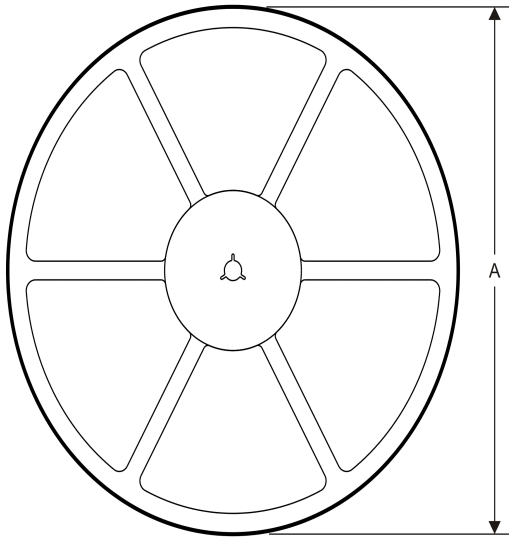
- Catalog: [ISO7421E](#)

NOTE: Qualified Version Definitions:

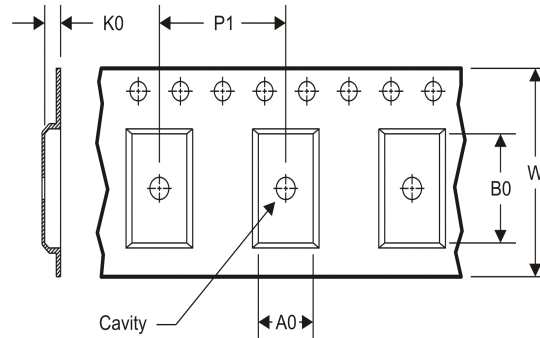
- Catalog - TI's standard catalog product

TAPE AND REEL INFORMATION

REEL DIMENSIONS



TAPE DIMENSIONS



A0	Dimension designed to accommodate the component width
B0	Dimension designed to accommodate the component length
K0	Dimension designed to accommodate the component thickness
W	Overall width of the carrier tape
P1	Pitch between successive cavity centers

TAPE AND REEL INFORMATION

*All dimensions are nominal

Device	Package Type	Package Drawing	Pins	SPQ	Reel Diameter (mm)	Reel Width W1 (mm)	A0 (mm)	B0 (mm)	K0 (mm)	P1 (mm)	W (mm)	Pin1 Quadrant
ISO7421EQDWRQ1	SOIC	DW	16	2000	330.0	16.4	10.75	10.7	2.7	12.0	16.0	Q1

TAPE AND REEL BOX DIMENSIONS



*All dimensions are nominal

Device	Package Type	Package Drawing	Pins	SPQ	Length (mm)	Width (mm)	Height (mm)
ISO7421EQDWRQ1	SOIC	DW	16	2000	533.4	186.0	36.0

DW (R-PDSO-G16)

PLASTIC SMALL OUTLINE



- NOTES:
- All linear dimensions are in inches (millimeters). Dimensioning and tolerancing per ASME Y14.5M-1994.
 - This drawing is subject to change without notice.
 - Body dimensions do not include mold flash or protrusion not to exceed 0.006 (0,15).
 - Falls within JEDEC MS-013 variation AA.

IMPORTANT NOTICE

Texas Instruments Incorporated and its subsidiaries (TI) reserve the right to make corrections, enhancements, improvements and other changes to its semiconductor products and services per JESD46C and to discontinue any product or service per JESD48B. Buyers should obtain the latest relevant information before placing orders and should verify that such information is current and complete. All semiconductor products (also referred to herein as "components") are sold subject to TI's terms and conditions of sale supplied at the time of order acknowledgment.

TI warrants performance of its components to the specifications applicable at the time of sale, in accordance with the warranty in TI's terms and conditions of sale of semiconductor products. Testing and other quality control techniques are used to the extent TI deems necessary to support this warranty. Except where mandated by applicable law, testing of all parameters of each component is not necessarily performed.

TI assumes no liability for applications assistance or the design of Buyers' products. Buyers are responsible for their products and applications using TI components. To minimize the risks associated with Buyers' products and applications, Buyers should provide adequate design and operating safeguards.

TI does not warrant or represent that any license, either express or implied, is granted under any patent right, copyright, mask work right, or other intellectual property right relating to any combination, machine, or process in which TI components or services are used. Information published by TI regarding third-party products or services does not constitute a license to use such products or services or a warranty or endorsement thereof. Use of such information may require a license from a third party under the patents or other intellectual property of the third party, or a license from TI under the patents or other intellectual property of TI.

Reproduction of significant portions of TI information in TI data books or data sheets is permissible only if reproduction is without alteration and is accompanied by all associated warranties, conditions, limitations, and notices. TI is not responsible or liable for such altered documentation. Information of third parties may be subject to additional restrictions.

Resale of TI components or services with statements different from or beyond the parameters stated by TI for that component or service voids all express and any implied warranties for the associated TI component or service and is an unfair and deceptive business practice. TI is not responsible or liable for any such statements.

Buyer acknowledges and agrees that it is solely responsible for compliance with all legal, regulatory and safety-related requirements concerning its products, and any use of TI components in its applications, notwithstanding any applications-related information or support that may be provided by TI. Buyer represents and agrees that it has all the necessary expertise to create and implement safeguards which anticipate dangerous consequences of failures, monitor failures and their consequences, lessen the likelihood of failures that might cause harm and take appropriate remedial actions. Buyer will fully indemnify TI and its representatives against any damages arising out of the use of any TI components in safety-critical applications.

In some cases, TI components may be promoted specifically to facilitate safety-related applications. With such components, TI's goal is to help enable customers to design and create their own end-product solutions that meet applicable functional safety standards and requirements. Nonetheless, such components are subject to these terms.

No TI components are authorized for use in FDA Class III (or similar life-critical medical equipment) unless authorized officers of the parties have executed a special agreement specifically governing such use.

Only those TI components which TI has specifically designated as military grade or "enhanced plastic" are designed and intended for use in military/aerospace applications or environments. Buyer acknowledges and agrees that any military or aerospace use of TI components which have **not** been so designated is solely at the Buyer's risk, and that Buyer is solely responsible for compliance with all legal and regulatory requirements in connection with such use.

TI has specifically designated certain components which meet ISO/TS16949 requirements, mainly for automotive use. Components which have not been so designated are neither designed nor intended for automotive use; and TI will not be responsible for any failure of such components to meet such requirements.

Products

Audio	www.ti.com/audio
Amplifiers	amplifier.ti.com
Data Converters	dataconverter.ti.com
DLP® Products	www.dlp.com
DSP	dsp.ti.com
Clocks and Timers	www.ti.com/clocks
Interface	interface.ti.com
Logic	logic.ti.com
Power Mgmt	power.ti.com
Microcontrollers	microcontroller.ti.com
RFID	www.ti-rfid.com
OMAP Mobile Processors	www.ti.com/omap
Wireless Connectivity	www.ti.com/wirelessconnectivity

Applications

Automotive and Transportation	www.ti.com/automotive
Communications and Telecom	www.ti.com/communications
Computers and Peripherals	www.ti.com/computers
Consumer Electronics	www.ti.com/consumer-apps
Energy and Lighting	www.ti.com/energy
Industrial	www.ti.com/industrial
Medical	www.ti.com/medical
Security	www.ti.com/security
Space, Avionics and Defense	www.ti.com/space-avionics-defense
Video and Imaging	www.ti.com/video

TI E2E Community e2e.ti.com