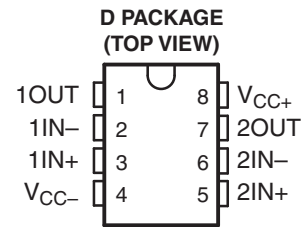


FEATURES

- Qualified for Automotive Applications
- Low Power Consumption
- Wide Common-Mode and Differential Voltage Ranges
- Low Input Bias and Offset Currents
- Low Total Harmonic Distortion: 0.003% Typ
- High Input Impedance: JFET-Input Stage
- Latchup-Free Operation
- High Slew Rate: 13 V/μs Typ
- Common-Mode Input Voltage Range Includes V_{CC+}



DESCRIPTION/ORDERING INFORMATION

The TL082 JFET-input operational amplifier incorporates well-matched, high-voltage JFET and bipolar transistors in a monolithic integrated circuit. The device features high slew rates, low input bias and offset currents, and low offset-voltage temperature coefficient.

The I-suffix device is characterized for operation from -40°C to 85°C . The Q-suffix device is characterized for operation from -40°C to 125°C .

ORDERING INFORMATION⁽¹⁾

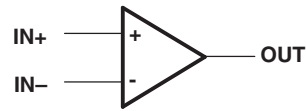
| T_J | PACKAGE ⁽²⁾ | | ORDERABLE PART NUMBER | TOP-SIDE MARKING |
|--|------------------------|--------------|-----------------------|------------------|
| -40°C to 85°C | SOIC – D | Reel of 2500 | TL082IDRQ1 | TL082I |
| -40°C to 125°C | SOIC – D | Reel of 2500 | TL082QDRQ1 | TL082Q |

- (1) For the most current package and ordering information, see the Package Option Addendum at the end of this document, or see the TI web site at www.ti.com.
- (2) Package drawings, thermal data, and symbolization are available at www.ti.com/packaging.

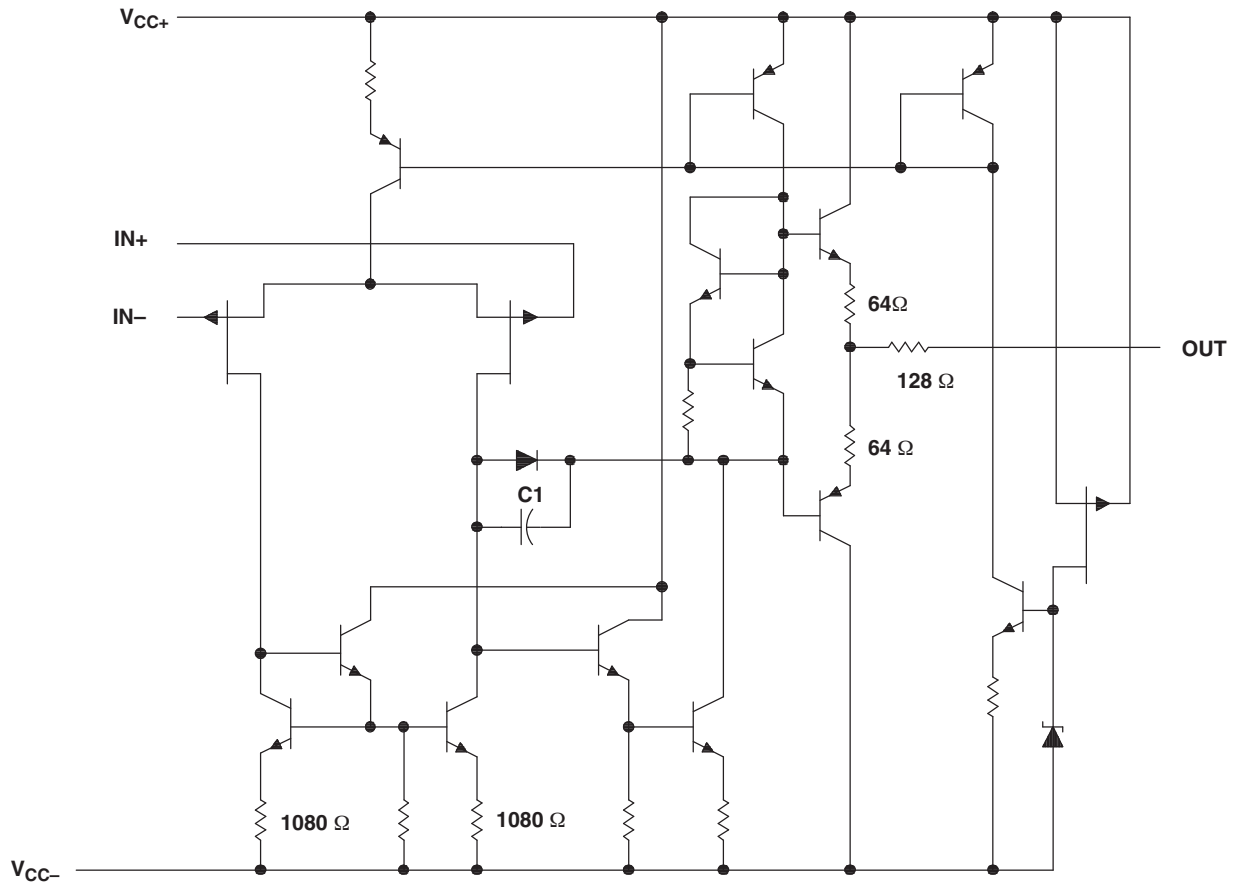


Please be aware that an important notice concerning availability, standard warranty, and use in critical applications of Texas Instruments semiconductor products and disclaimers thereto appears at the end of this data sheet.

SYMBOL (EACH AMPLIFIER)



SCHEMATIC (EACH AMPLIFIER)



A. Component values shown are nominal.

ABSOLUTE MAXIMUM RATINGS⁽¹⁾

over operating free-air temperature range (unless otherwise noted)

| | | VALUE | |
|---------------------------|--|----------------|----------------|
| V_{CC+} | Supply voltage, positive ⁽²⁾ | 18 V | |
| V_{CC-} | Supply voltage, negative ⁽²⁾ | –18 V | |
| V_{ID} | Differential input voltage ⁽³⁾ | ±30 V | |
| V_I | Input voltage ⁽²⁾⁽⁴⁾ | ±15 V | |
| | Duration of output short circuit ⁽⁵⁾ | Unlimited | |
| | Continuous total power dissipation | ⁽⁶⁾ | |
| T_A | Operating free-air temperature range | TL082I | –40°C to 85°C |
| | | TL082Q | –40°C to 125°C |
| θ_{JA} | Package thermal impedance, junction to free air ⁽⁷⁾ | 97°C/W | |
| ESD rating ⁽⁸⁾ | Human-Body Model | 1.5 kV (H1C) | |
| | Charged-Device Model | 1.5 kV (C5) | |
| | Machine Model | 200 V (M3) | |
| | Operating virtual junction temperature | 150°C | |
| T_{stg} | Storage temperature range | –65°C to 150°C | |

- (1) Stresses beyond those listed under "absolute maximum ratings" may cause permanent damage to the device. These are stress ratings only, and functional operation of the device at these or any other conditions beyond those indicated under "recommended operating conditions" is not implied. Exposure to absolute-maximum-rated conditions for extended periods may affect device reliability.
- (2) All voltage values, except differential voltages, are with respect to the midpoint between V_{CC+} and V_{CC-} .
- (3) Differential voltages are at IN+ with respect to IN–.
- (4) The magnitude of the input voltage must never exceed the magnitude of the supply voltage or 15 V, whichever is less.
- (5) The output may be shorted to ground or to either supply. Temperature and/or supply voltages must be limited to ensure that the dissipation rating is not exceeded.
- (6) Maximum power dissipation is a function of $T_J(\max)$, θ_{JA} , and T_A . The maximum allowable power dissipation at any allowable ambient temperature is $PD = (T_J(\max) - T_A)/\theta_{JA}$. Operating at the absolute maximum T_J of 150°C can affect reliability.
- (7) The package thermal impedance is calculated in accordance with JESD 51-7.
- (8) ESD protection level per JEDEC classifications JESD22-A114 (HBM), JESD22-A115 (MM), and JESD22-C101 (CDM).

ELECTRICAL CHARACTERISTICS⁽¹⁾

$V_{CC\pm} = \pm 15\text{ V}$ (unless otherwise noted)

| PARAMETER | | TEST CONDITIONS | T_A ⁽²⁾ | MIN | TYP | MAX | UNIT |
|-----------------|---|---|----------------------|----------|------------|-----|------------------------------|
| V_{IO} | Input offset voltage | $V_O = 0, R_S = 50\ \Omega$ | 25°C | | 3 | 6 | mV |
| | | | Full range | | | 9 | |
| α_{VIO} | Temperature coefficient of input offset voltage | $V_O = 0, R_S = 50\ \Omega$ | Full range | | 18 | | $\mu\text{V}/^\circ\text{C}$ |
| I_{IO} | Input offset current ⁽³⁾ | $V_O = 0$ | 25°C | | 5 | 100 | pA |
| | | | Full range | | | 20 | nA |
| I_{IB} | Input bias current ⁽³⁾ | $V_O = 0$ | 25°C | | 30 | 200 | pA |
| | | | Full range | | | 50 | nA |
| V_{ICR} | Common-mode input voltage range | | 25°C | ± 11 | -12 to 15 | | V |
| V_{OM} | Maximum peak output voltage swing | $R_L = 10\ \text{k}\Omega$ | 25°C | ± 12 | ± 13.5 | | V |
| | | $R_L \geq 10\ \text{k}\Omega$ | Full range | ± 12 | | | |
| | | $R_L \geq 2\ \text{k}\Omega$ | | ± 10 | ± 12 | | |
| A_{VD} | Large-signal differential voltage amplification | $V_O = \pm 10\ \text{V}, R_L \geq 2\ \text{k}\Omega$ | 25°C | 50 | 200 | | V/mV |
| | | | Full range | 15 | | | |
| B1 | Unity-gain bandwidth | | 25°C | | 3 | | MHz |
| r_i | Input resistance | | 25°C | | 10^{12} | | Ω |
| CMRR | Common-mode rejection ratio | $V_{IC} = V_{ICR}(\text{min}), V_O = 0, R_S = 50\ \Omega$ | 25°C | 75 | 86 | | dB |
| k_{SVR} | Supply-voltage rejection ratio ($\Delta V_{CC\pm}/\Delta V_{IO}$) | $V_{CC} = \pm 15\ \text{V}$ to $\pm 9\ \text{V}, V_O = 0, R_S = 50\ \Omega$ | 25°C | 80 | 86 | | dB |
| I_{CC} | Supply current (per amplifier) | $V_O = 0, \text{No load}$ | 25°C | | 1.4 | 2.8 | mA |
| V_{O1}/V_{O2} | Crosstalk attenuation | $A_{VD} = 100$ | 25°C | | 120 | | dB |

- (1) All characteristics are measured under open-loop conditions with zero common-mode voltage, unless otherwise specified.
- (2) Full range for T_A is -40°C to 85°C for I-suffix devices and -40°C to 125°C for Q-suffix devices.
- (3) Input bias currents of an FET-input operational amplifier are normal junction reverse currents, which are temperature sensitive, as shown in Figure 14. Pulse techniques must be used that maintain the junction temperature as close to the ambient temperature as possible.

OPERATING CHARACTERISTICS

$V_{CC\pm} = \pm 15\ \text{V}, T_A = 25^\circ\text{C}$ (unless otherwise noted)

| PARAMETER | | TEST CONDITIONS | MIN | TYP | MAX | UNIT |
|-----------|--------------------------------|--|---|-------|-----|------------------------------|
| SR | Slew rate at unity gain | $V_I = 10\ \text{V}, R_L = 2\ \text{k}\Omega, C_L = 100\ \text{pF}$, See Figure 1 | 8 | 13 | | $\text{V}/\mu\text{s}$ |
| t_r | Rise time | $V_I = 20\ \text{mV}, R_L = 2\ \text{k}\Omega, C_L = 100\ \text{pF}$, See Figure 1 | | 0.05 | | μs |
| | Overshoot factor | $V_I = 20\ \text{mV}, R_L = 2\ \text{k}\Omega, C_L = 100\ \text{pF}$, See Figure 1 | | 20 | | % |
| V_n | Equivalent input noise voltage | $R_S = 20\ \Omega$ | $f = 1\ \text{kHz}$ | | 18 | $\text{nV}/\sqrt{\text{Hz}}$ |
| | | | $f = 10\ \text{Hz}$ to $10\ \text{kHz}$ | | 4 | μV |
| I_n | Equivalent input noise current | $R_S = 20\ \Omega, f = 1\ \text{kHz}$ | | 0.01 | | $\text{pA}/\sqrt{\text{Hz}}$ |
| THD | Total harmonic distortion | $V_{I\text{rms}} = 6\ \text{V}, f = 1\ \text{kHz}, \text{AVD} = 1, R_S \leq 1\ \text{k}\Omega, R_L \geq 2\ \text{k}\Omega$ | | 0.003 | | % |

PARAMETER MEASUREMENT INFORMATION

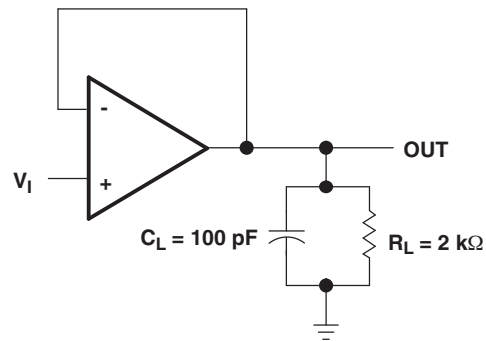


Figure 1.

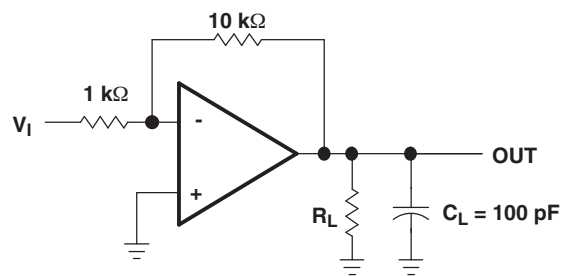


Figure 2.

TYPICAL CHARACTERISTICS

Data at high and low temperatures are applicable only within the rated operating free-air temperature ranges of the devices.

Table of Graphs

| | | FIGURE | |
|----------|---|-----------------------------|---------|
| V_{OM} | Maximum peak output voltage | vs Frequency | 3, 4, 5 |
| | | vs Free-air temperature | 6 |
| | | vs Load resistance | 7 |
| | | vs Supply voltage | 8 |
| A_{VD} | Large-signal differential voltage amplification | vs Free-air temperature | 9 |
| | | vs Frequency | 10 |
| P_D | Total power dissipation | vs Free-air temperature | 11 |
| I_{CC} | Supply current | vs Free-air temperature | 12 |
| | | vs Supply voltage | 13 |
| I_{IB} | Input bias current | vs Free-air temperature | 14 |
| | | Large-signal pulse response | vs Time |
| V_O | Output voltage | vs Elapsed time | 16 |
| CMRR | Common-mode rejection ratio | vs Free-air temperature | 17 |
| V_n | Equivalent input noise voltage | vs Frequency | 18 |
| THD | Total harmonic distortion | vs Frequency | 19 |

MAXIMUM PEAK OUTPUT VOLTAGE
vs
FREQUENCY
(See Figure 2)

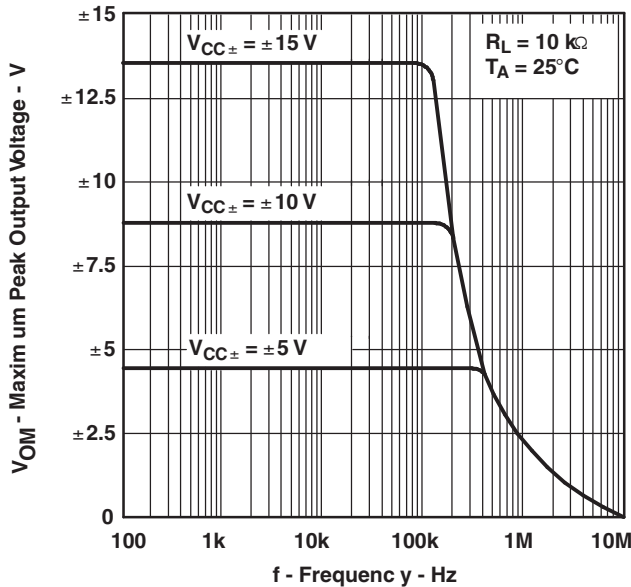


Figure 3.

MAXIMUM PEAK OUTPUT VOLTAGE
vs
FREQUENCY
(See Figure 2)

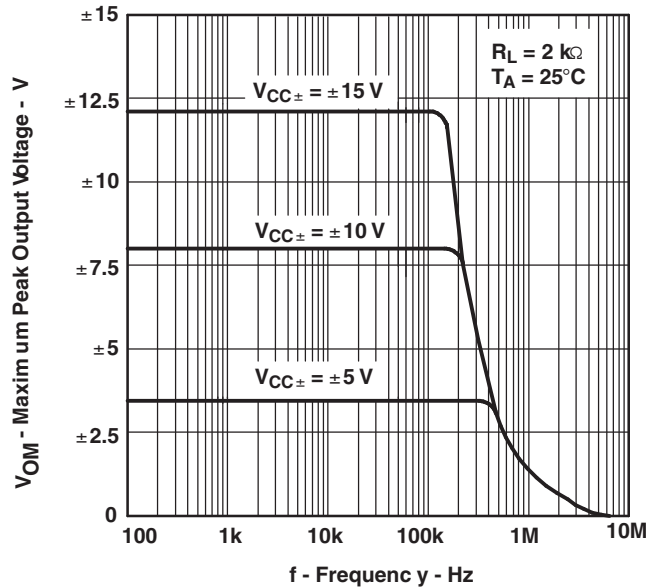


Figure 4.

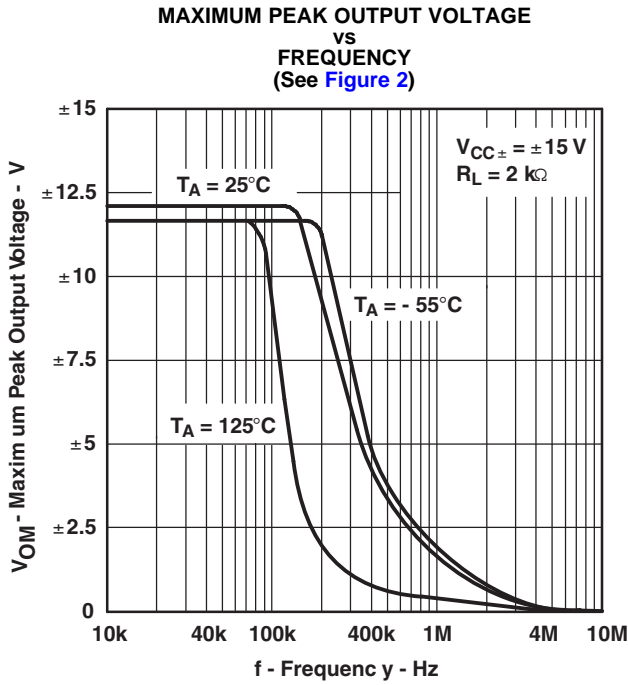


Figure 5.

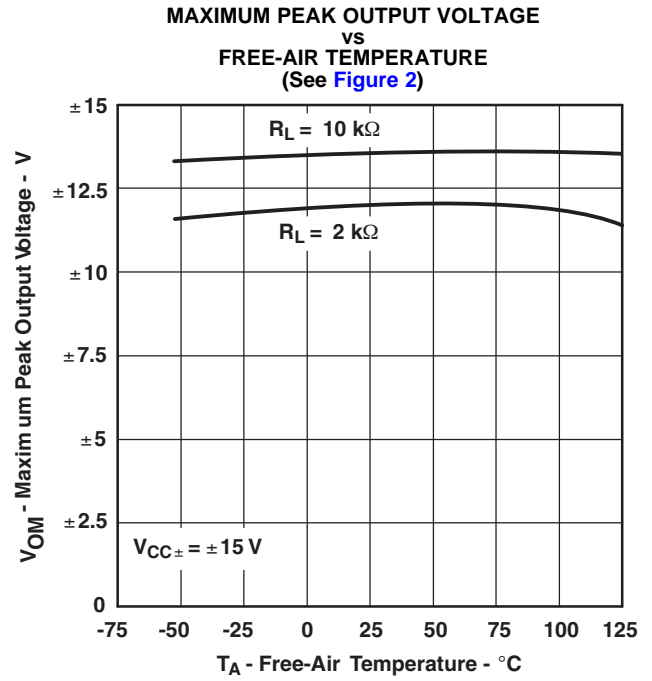


Figure 6.

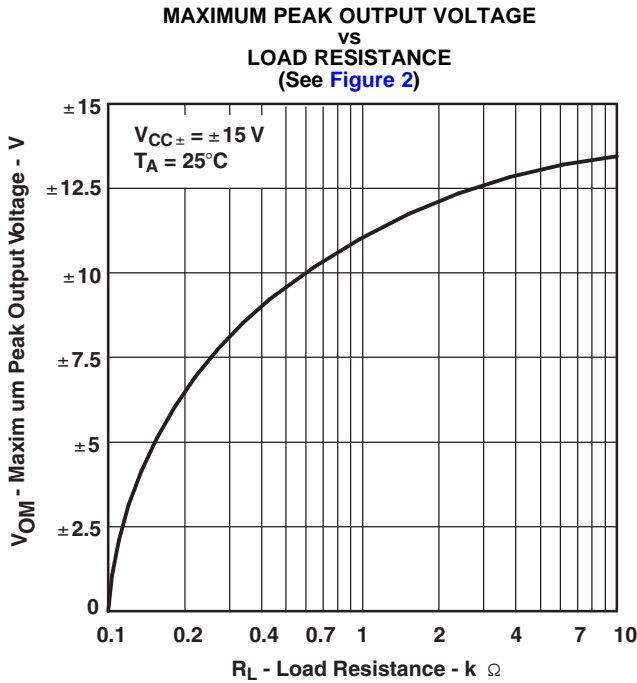


Figure 7.

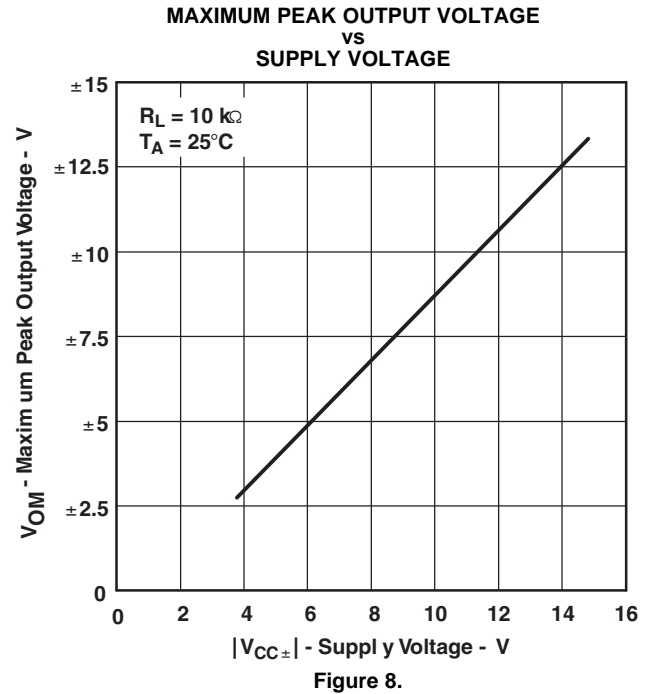


Figure 8.

**LARGE-SIGNAL DIFFERENTIAL VOLTAGE AMPLIFICATION
 VS
 FREE-AIR TEMPERATURE**

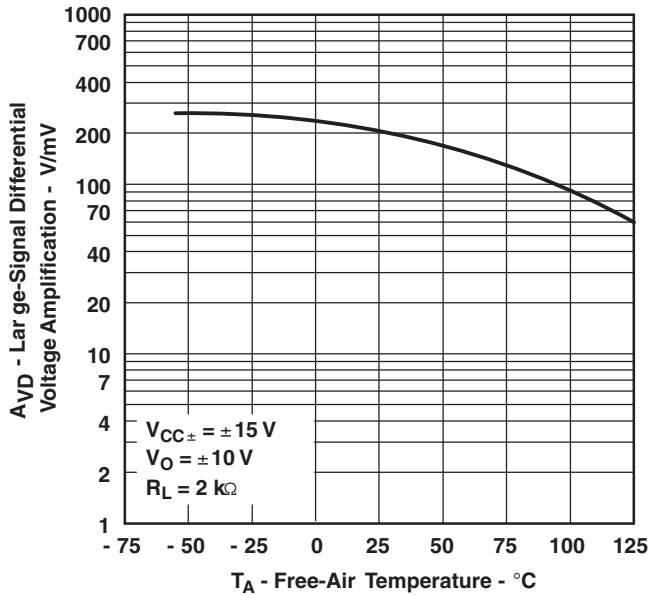


Figure 9.

**LARGE-SIGNAL DIFFERENTIAL VOLTAGE AMPLIFICATION
 VS
 FREQUENCY**

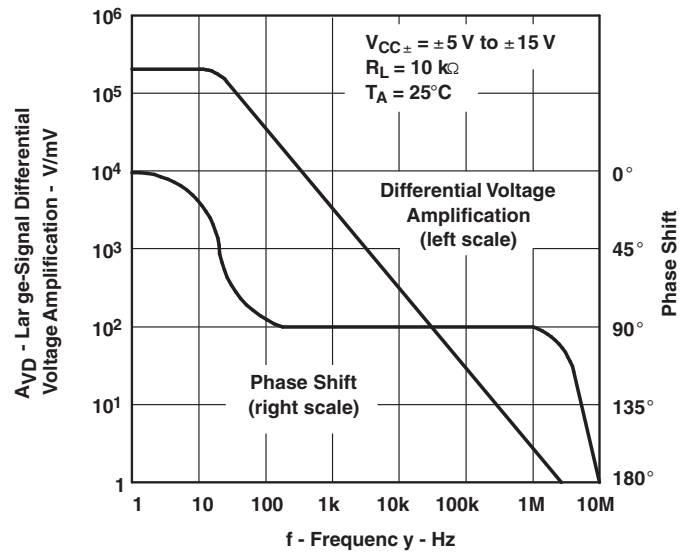


Figure 10.

**POWER DISSIPATION
 VS
 FREE-AIR TEMPERATURE**

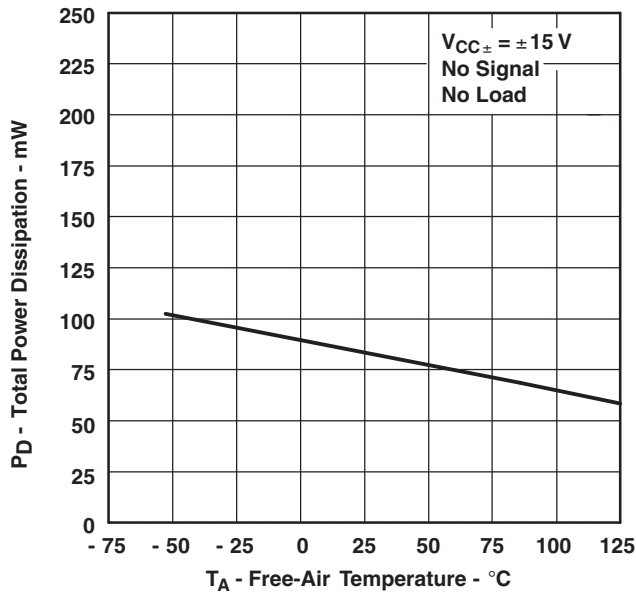


Figure 11.

**SUPPLY CURRENT
 VS
 FREE-AIR TEMPERATURE**

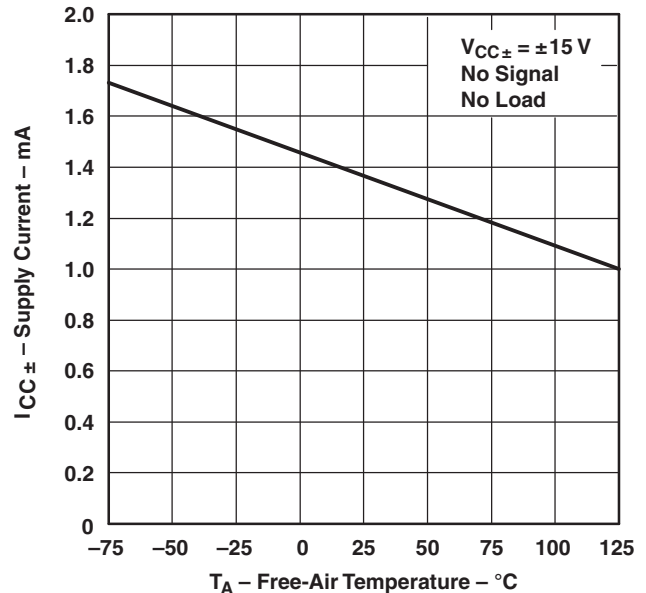


Figure 12.

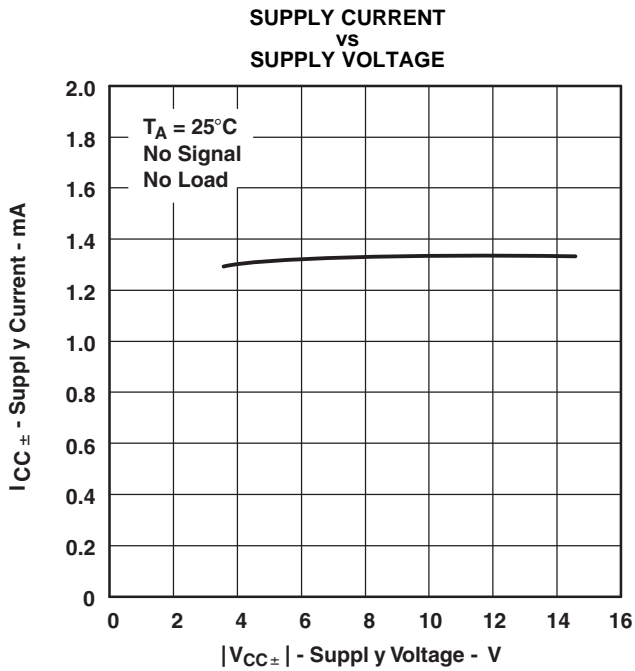


Figure 13.

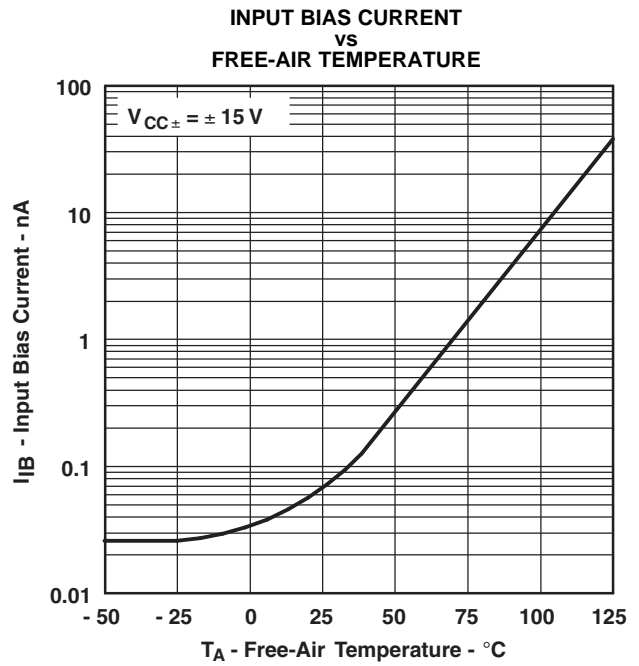


Figure 14.

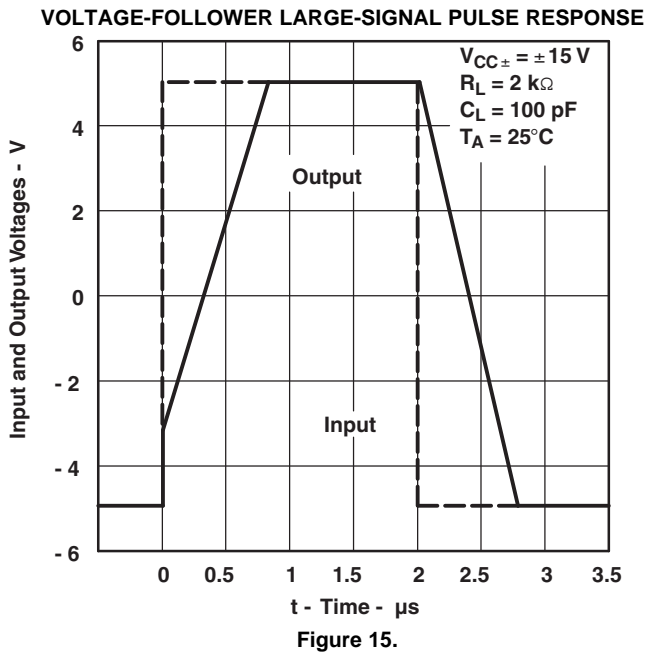


Figure 15.

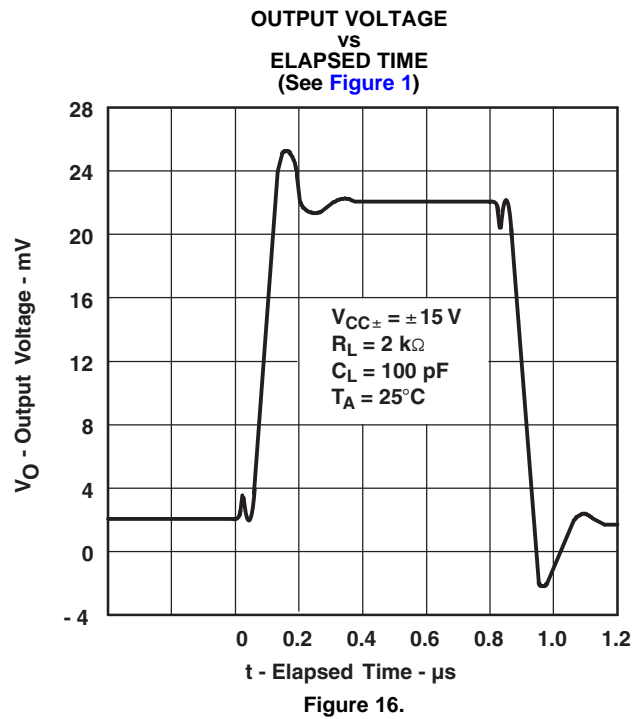


Figure 16.

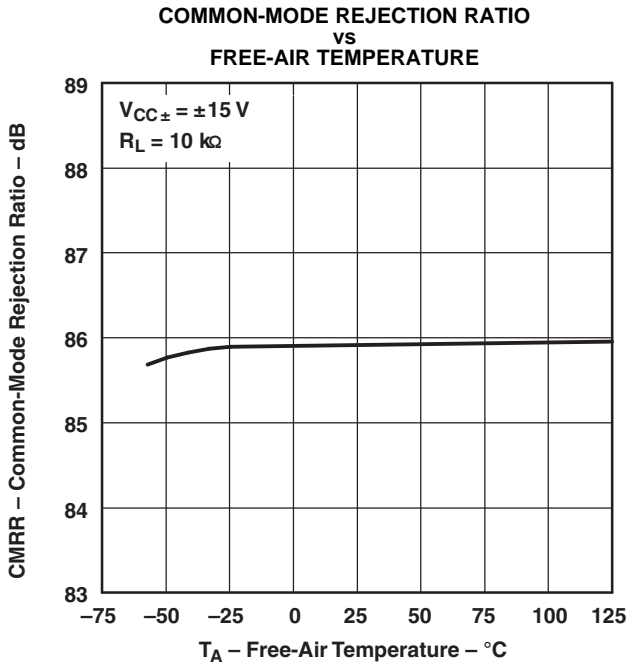


Figure 17.

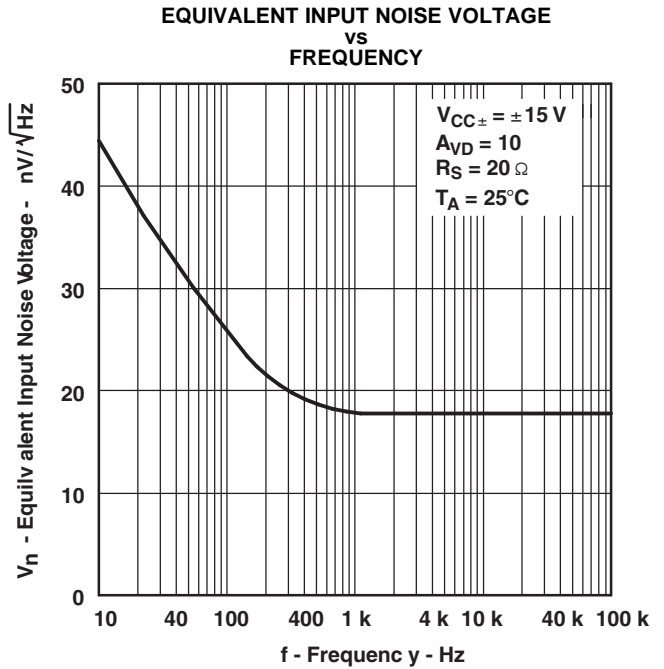


Figure 18.

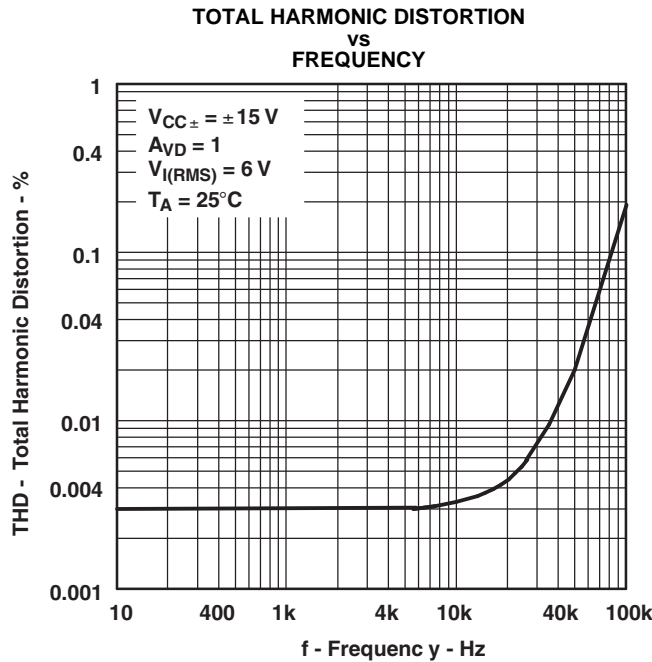


Figure 19.

APPLICATION INFORMATION

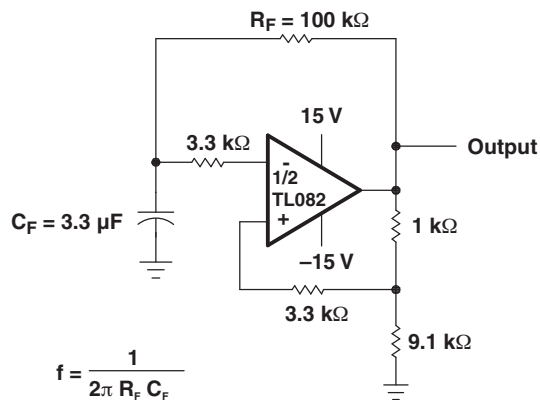


Figure 20.

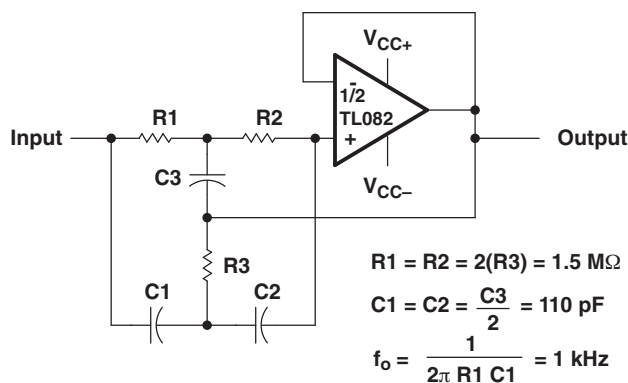


Figure 21.

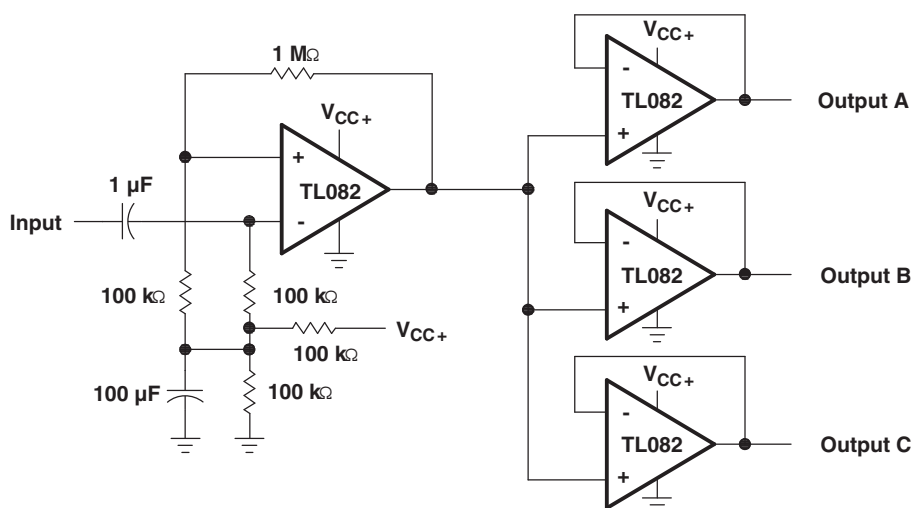
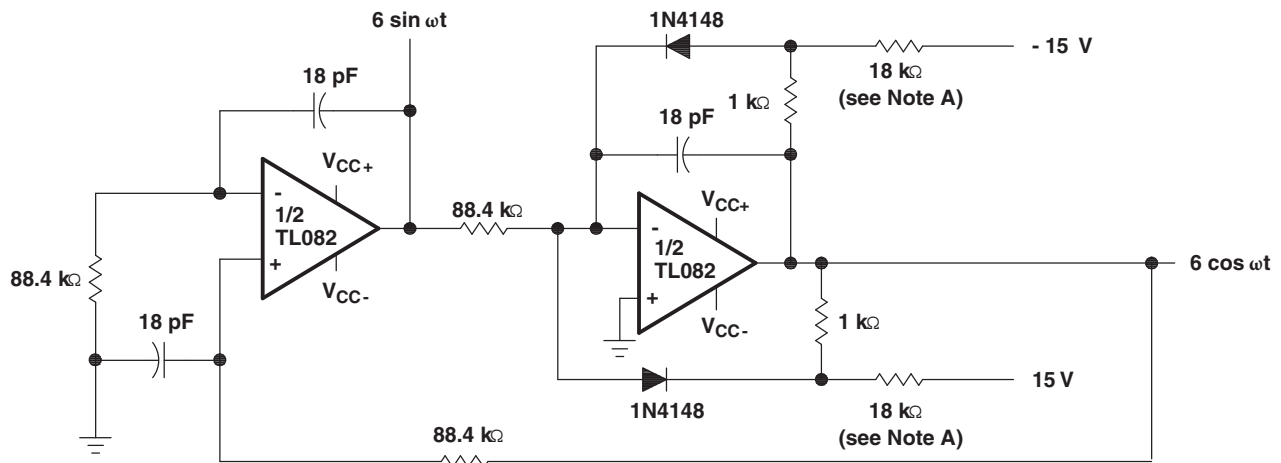


Figure 22. Audio-Distribution Amplifier



A. These resistor values may be adjusted for a symmetrical output.

Figure 23. 100-kHz Quadrature Oscillator

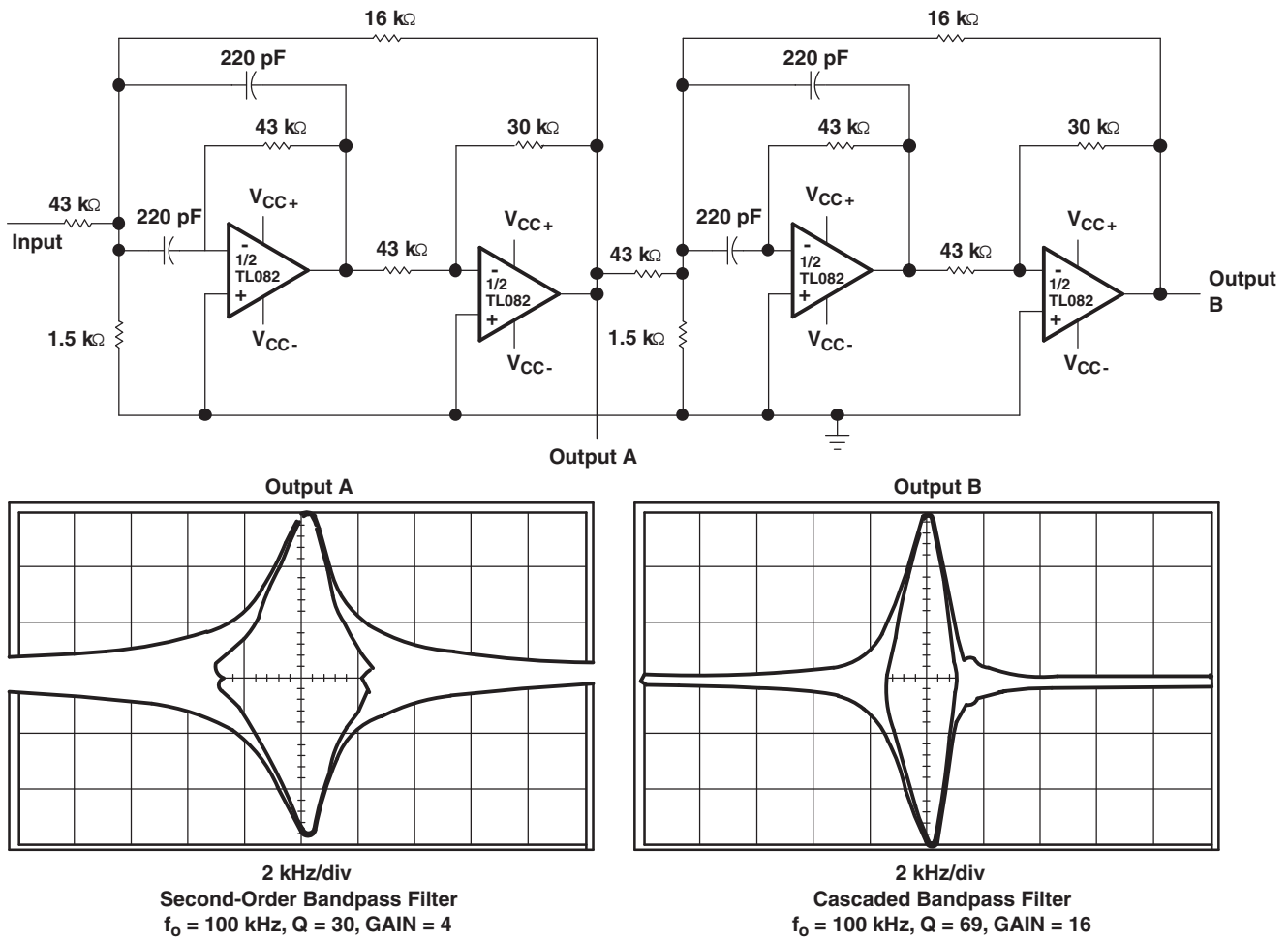


Figure 24. Positive-Feedback Bandpass Filter

PACKAGING INFORMATION

| Orderable Device | Status ⁽¹⁾ | Package Type | Package Drawing | Pins | Package Qty | Eco Plan ⁽²⁾ | Lead/Ball Finish | MSL Peak Temp ⁽³⁾ |
|------------------|-----------------------|--------------|-----------------|------|-------------|-------------------------|------------------|------------------------------|
| TL082IDRQ1 | ACTIVE | SOIC | D | 8 | 2500 | Green (RoHS & no Sb/Br) | CU NIPDAU | Level-1-260C-UNLIM |
| TL082QDRQ1 | ACTIVE | SOIC | D | 8 | 2500 | Green (RoHS & no Sb/Br) | CU NIPDAU | Level-1-260C-UNLIM |

⁽¹⁾ The marketing status values are defined as follows:

ACTIVE: Product device recommended for new designs.

LIFEBUY: TI has announced that the device will be discontinued, and a lifetime-buy period is in effect.

NRND: Not recommended for new designs. Device is in production to support existing customers, but TI does not recommend using this part in a new design.

PREVIEW: Device has been announced but is not in production. Samples may or may not be available.

OBsolete: TI has discontinued the production of the device.

⁽²⁾ Eco Plan - The planned eco-friendly classification: Pb-Free (RoHS), Pb-Free (RoHS Exempt), or Green (RoHS & no Sb/Br) - please check <http://www.ti.com/productcontent> for the latest availability information and additional product content details.

TBD: The Pb-Free/Green conversion plan has not been defined.

Pb-Free (RoHS): TI's terms "Lead-Free" or "Pb-Free" mean semiconductor products that are compatible with the current RoHS requirements for all 6 substances, including the requirement that lead not exceed 0.1% by weight in homogeneous materials. Where designed to be soldered at high temperatures, TI Pb-Free products are suitable for use in specified lead-free processes.

Pb-Free (RoHS Exempt): This component has a RoHS exemption for either 1) lead-based flip-chip solder bumps used between the die and package, or 2) lead-based die adhesive used between the die and leadframe. The component is otherwise considered Pb-Free (RoHS compatible) as defined above.

Green (RoHS & no Sb/Br): TI defines "Green" to mean Pb-Free (RoHS compatible), and free of Bromine (Br) and Antimony (Sb) based flame retardants (Br or Sb do not exceed 0.1% by weight in homogeneous material)

⁽³⁾ MSL, Peak Temp. -- The Moisture Sensitivity Level rating according to the JEDEC industry standard classifications, and peak solder temperature.

Important Information and Disclaimer:The information provided on this page represents TI's knowledge and belief as of the date that it is provided. TI bases its knowledge and belief on information provided by third parties, and makes no representation or warranty as to the accuracy of such information. Efforts are underway to better integrate information from third parties. TI has taken and continues to take reasonable steps to provide representative and accurate information but may not have conducted destructive testing or chemical analysis on incoming materials and chemicals. TI and TI suppliers consider certain information to be proprietary, and thus CAS numbers and other limited information may not be available for release.

In no event shall TI's liability arising out of such information exceed the total purchase price of the TI part(s) at issue in this document sold by TI to Customer on an annual basis.

OTHER QUALIFIED VERSIONS OF TL082-Q1 :

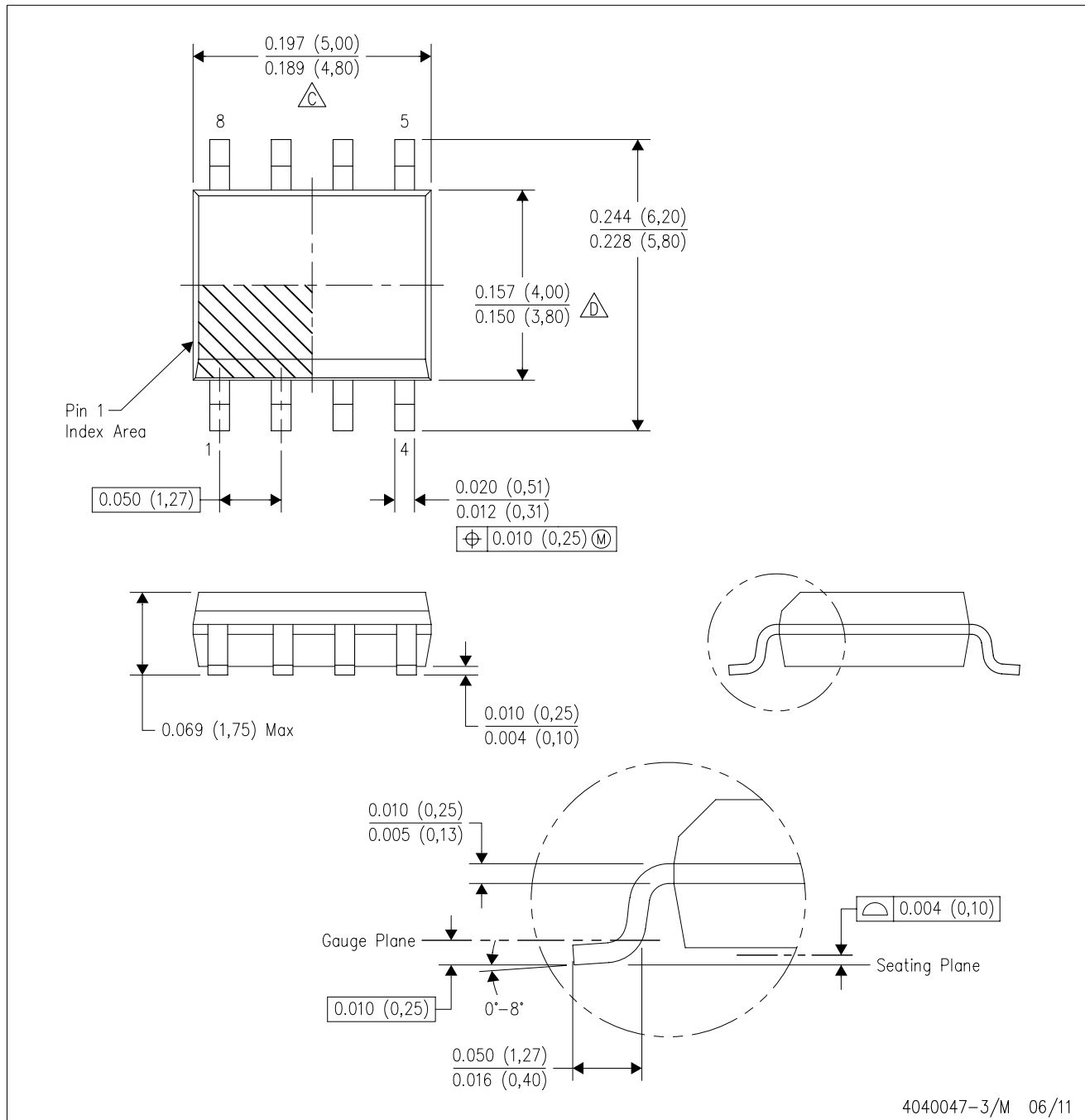
- Catalog: [TL082](#)
- Military: [TL082M](#)

NOTE: Qualified Version Definitions:

- Catalog - TI's standard catalog product
- Military - QML certified for Military and Defense Applications

D (R-PDSO-G8)

PLASTIC SMALL OUTLINE



NOTES: A. All linear dimensions are in inches (millimeters).
 B. This drawing is subject to change without notice.
 C. Body length does not include mold flash, protrusions, or gate burrs. Mold flash, protrusions, or gate burrs shall not exceed 0.006 (0,15) each side.
 D. Body width does not include interlead flash. Interlead flash shall not exceed 0.017 (0,43) each side.
 E. Reference JEDEC MS-012 variation AA.

IMPORTANT NOTICE

Texas Instruments Incorporated and its subsidiaries (TI) reserve the right to make corrections, modifications, enhancements, improvements, and other changes to its products and services at any time and to discontinue any product or service without notice. Customers should obtain the latest relevant information before placing orders and should verify that such information is current and complete. All products are sold subject to TI's terms and conditions of sale supplied at the time of order acknowledgment.

TI warrants performance of its hardware products to the specifications applicable at the time of sale in accordance with TI's standard warranty. Testing and other quality control techniques are used to the extent TI deems necessary to support this warranty. Except where mandated by government requirements, testing of all parameters of each product is not necessarily performed.

TI assumes no liability for applications assistance or customer product design. Customers are responsible for their products and applications using TI components. To minimize the risks associated with customer products and applications, customers should provide adequate design and operating safeguards.

TI does not warrant or represent that any license, either express or implied, is granted under any TI patent right, copyright, mask work right, or other TI intellectual property right relating to any combination, machine, or process in which TI products or services are used. Information published by TI regarding third-party products or services does not constitute a license from TI to use such products or services or a warranty or endorsement thereof. Use of such information may require a license from a third party under the patents or other intellectual property of the third party, or a license from TI under the patents or other intellectual property of TI.

Reproduction of TI information in TI data books or data sheets is permissible only if reproduction is without alteration and is accompanied by all associated warranties, conditions, limitations, and notices. Reproduction of this information with alteration is an unfair and deceptive business practice. TI is not responsible or liable for such altered documentation. Information of third parties may be subject to additional restrictions.

Resale of TI products or services with statements different from or beyond the parameters stated by TI for that product or service voids all express and any implied warranties for the associated TI product or service and is an unfair and deceptive business practice. TI is not responsible or liable for any such statements.

TI products are not authorized for use in safety-critical applications (such as life support) where a failure of the TI product would reasonably be expected to cause severe personal injury or death, unless officers of the parties have executed an agreement specifically governing such use. Buyers represent that they have all necessary expertise in the safety and regulatory ramifications of their applications, and acknowledge and agree that they are solely responsible for all legal, regulatory and safety-related requirements concerning their products and any use of TI products in such safety-critical applications, notwithstanding any applications-related information or support that may be provided by TI. Further, Buyers must fully indemnify TI and its representatives against any damages arising out of the use of TI products in such safety-critical applications.

TI products are neither designed nor intended for use in military/aerospace applications or environments unless the TI products are specifically designated by TI as military-grade or "enhanced plastic." Only products designated by TI as military-grade meet military specifications. Buyers acknowledge and agree that any such use of TI products which TI has not designated as military-grade is solely at the Buyer's risk, and that they are solely responsible for compliance with all legal and regulatory requirements in connection with such use.

TI products are neither designed nor intended for use in automotive applications or environments unless the specific TI products are designated by TI as compliant with ISO/TS 16949 requirements. Buyers acknowledge and agree that, if they use any non-designated products in automotive applications, TI will not be responsible for any failure to meet such requirements.

Following are URLs where you can obtain information on other Texas Instruments products and application solutions:

Products

| | |
|-----------------------------|--|
| Audio | www.ti.com/audio |
| Amplifiers | amplifier.ti.com |
| Data Converters | dataconverter.ti.com |
| DLP® Products | www.dlp.com |
| DSP | dsp.ti.com |
| Clocks and Timers | www.ti.com/clocks |
| Interface | interface.ti.com |
| Logic | logic.ti.com |
| Power Mgmt | power.ti.com |
| Microcontrollers | microcontroller.ti.com |
| RFID | www.ti-rfid.com |
| RF/IF and ZigBee® Solutions | www.ti.com/lprf |

Applications

| | |
|-------------------------------|--|
| Communications and Telecom | www.ti.com/communications |
| Computers and Peripherals | www.ti.com/computers |
| Consumer Electronics | www.ti.com/consumer-apps |
| Energy and Lighting | www.ti.com/energy |
| Industrial | www.ti.com/industrial |
| Medical | www.ti.com/medical |
| Security | www.ti.com/security |
| Space, Avionics and Defense | www.ti.com/space-avionics-defense |
| Transportation and Automotive | www.ti.com/automotive |
| Video and Imaging | www.ti.com/video |
| Wireless | www.ti.com/wireless-apps |

TI E2E Community Home Page

e2e.ti.com

Mailing Address: Texas Instruments, Post Office Box 655303, Dallas, Texas 75265
Copyright © 2011, Texas Instruments Incorporated