



## 2.8-W/Ch Stereo Class-D Audio Amplifier with SmartGain™ Dynamic Range Compression and AGC

### FEATURES

- Filter-Free Class-D Architecture
- 3 SmartGain™ functions
  - AGC DRC Function
  - AGC Limiter Function
  - AGC Noise Gate Function
- 1.7 W/Ch Into 8 Ω at 5 V (10% THD+N)
- 750 mW/Ch Into 8 Ω at 3.6 V (10% THD+N)
- 2.8 W/Ch Into 4 Ω at 5 V (10% THD+N)
- 1.5 W/Ch Into 4 Ω at 3.6 V (10% THD+N)
- Power Supply Range: 2.5 V to 5.5 V
- Low Supply Current: 3.5 mA
- Low Shutdown Current: 0.2 μA
- High PSRR: 75 dB at 217 Hz
- Fast Start-up Time: 5 ms
- Short-Circuit and Thermal Protection
- Space-Saving Package
  - 4 mm × 4 mm QFN (RTJ)

### APPLICATIONS

- Wireless or Cellular Handsets and PDAs
- Portable Navigation Devices
- Portable DVD Player
- Notebook PCs
- Portable Radio
- Portable Games
- Educational Toys
- USB Speakers

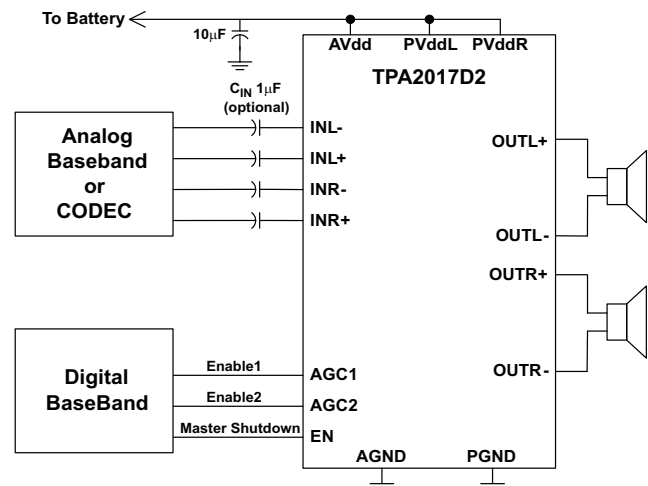
### DESCRIPTION

The TPA2017D2 (sometimes referred to as TPA2017) is a stereo, filter-free Class-D audio power amplifier with SmartGain™ dynamic range compression (DRC), automatic gain control (AGC), and noise gate. It is available in a 4 mm x 4mm QFN package.

SmartGain™ functions are configured to automatically prevent distortion of the audio signal and enhance quiet passages that are normally not heard. SmartGain™ is a combined AGC DRC and Limiter that protects the speaker from damage at high power levels and compress the dynamic range of voice or music to fit within the dynamic range of the speaker. SmartGain™ DRC, limiter, and noise gate functions can be enabled or disabled. The TPA2017D2 (TPA2017) is capable of driving 1.7 W/Ch at 4 V or 750mW/Ch at 3.6 V into 8 Ω load or 2.8 W/Ch at 5 V or 1.5 W/Ch at 3.6 V into 4 Ω. The device features an enable pin and also provides thermal and short circuit protection.

In addition to these features, a fast start-up time and small package size make the TPA2017D2 (TPA2017) an ideal choice for Notebook PCs, PDAs and other portable applications.

### SIMPLIFIED APPLICATION DIAGRAM

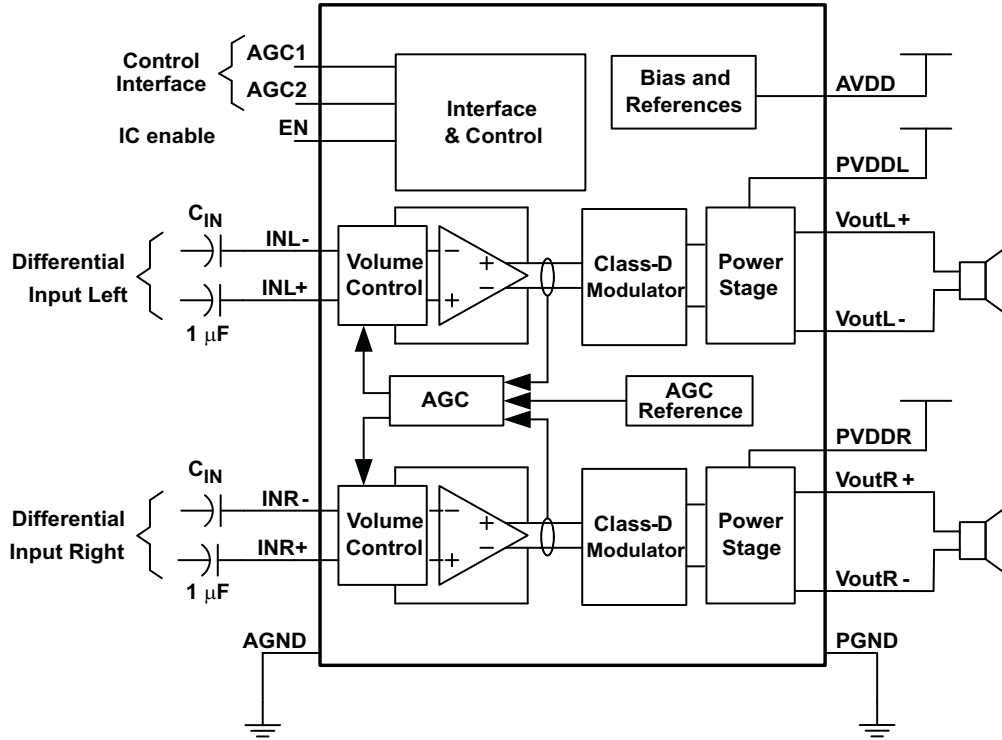


Please be aware that an important notice concerning availability, standard warranty, and use in critical applications of Texas Instruments semiconductor products and disclaimers thereto appears at the end of this data sheet.

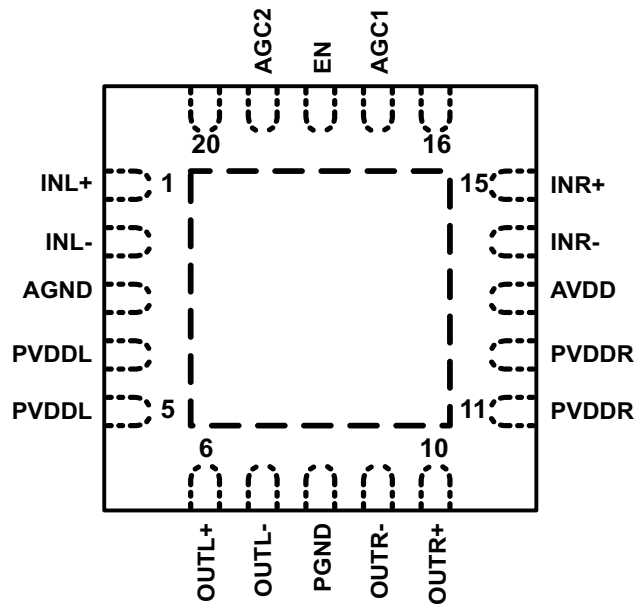


These devices have limited built-in ESD protection. The leads should be shorted together or the device placed in conductive foam during storage or handling to prevent electrostatic damage to the MOS gates.

**FUNCTIONAL BLOCK DIAGRAM**



**DEVICE PINOUT  
RTJ (QFN) PACKAGE  
(TOP VIEW)**



**TERMINAL FUNCTIONS**

TERMINAL		I/O/P	DESCRIPTION
NAME	QFN		
INR+	15	I	Right channel positive audio input
INR–	14	I	Right channel negative audio input
INL+	1	I	Left channel positive audio input
INL–	2	I	Left channel negative audio input
EN	18	I	Enable terminal (active high)
AGC2	19	I	AGC select function pin 2
AGC1	17	I	AGC select function pin 1
OUTR+	10	O	Right channel positive differential output
OUTR–	9	O	Right channel negative differential output
OUTL+	6	O	Left channel positive differential output
OUTL–	7	O	Left channel negative differential output
AVDD	13	P	Analog supply (must be the same as PVDDR and PVDDL)
AGND	3	P	Analog ground (all GND pins need to be connected)
PVDDR	11, 12	P	Right channel power supply (must be the same as AVDD and PVDDL)
PGND	8	P	Power ground (all GND pins need to be connected)
PVDDL	4, 5	P	Left channel power supply (must be the same as AVDD and PVDDR)

**ABSOLUTE MAXIMUM RATINGS<sup>(1)</sup>**

over operating free-air temperature range (unless otherwise noted).

			VALUE / UNIT
V <sub>DD</sub>	Supply voltage	AVDD, PVDDR, PVDDL	–0.3 V to 6 V
	Input voltage	INR+, INR–, INL+, INL–	–0.3 V to V <sub>DD</sub> +0.3 V
		EN, AGC1, AGC2	–0.3 V to 6 V
	Continuous total power dissipation		See Dissipation Ratings Table
T <sub>A</sub>	Operating free-air temperature range		–40°C to 85°C
T <sub>J</sub>	Operating junction temperature range		–40°C to 150°C
T <sub>stg</sub>	Storage temperature range		–65°C to 150°C
ESD	Electro-Static Discharge Tolerance, all pins	Human Body Model (HBM)	2 KV
		Charged Device Model (CDM)	500 V
R <sub>LOAD</sub>	Minimum load resistance		3.6 Ω

- (1) Stresses beyond those listed under "absolute maximum ratings" may cause permanent damage to the device. These are stress ratings only, and functional operation of the device at these or any other conditions beyond those indicated under "recommended operating conditions" is not implied. Exposure to absolute-maximum-rated conditions for extended periods may affect device reliability.

**DISSIPATION RATINGS TABLE<sup>(1)</sup>**

PACKAGE	T <sub>A</sub> ≤ 25°C	DERATING FACTOR	T <sub>A</sub> = 70°C	T <sub>A</sub> = 85°C
20-pin QFN	5.2 W	41.6 mW/°C	3.12 W	2.7 W

- (1) Dissipations ratings are for a 2-side, 2-plane PCB.

**AVAILABLE OPTIONS<sup>(1)</sup>**

$T_A$	PACKAGED DEVICES <sup>(2)</sup>	PART NUMBER	SYMBOL
–40°C to 85°C	20-pin, 4 mm × 4 mm QFN (RTJ)	TPA2017D2RTJR	–
		TPA2017D2RTJT	–

- (1) For the most current package and ordering information, see the Package Option Addendum at the end of this document, or see the TI Web site at [www.ti.com](http://www.ti.com)
- (2) The RTJ packages are only available taped and reeled. The suffix R indicates a reel of 3000; the suffix T indicates a reel of 250.

**RECOMMENDED OPERATING CONDITIONS**

			MIN	MAX	UNIT
$V_{DD}$	Supply voltage	AVDD, PVDDR, PVDDL	2.5	5.5	V
$V_{IH}$	High-level input voltage	EN, AGC1, AGC2	1.3		V
$V_{IL}$	Low-level input voltage	EN, AGC1, AGC2		0.6	V
$T_A$	Operating free-air temperature		–40	85	°C

**ELECTRICAL CHARACTERISTICS**

at  $T_A = 25^\circ\text{C}$ ,  $V_{DD} = 3.6\text{ V}$ ,  $EN = 1.3\text{ V}$ , and  $R_L = 8\ \Omega + 33\ \mu\text{H}$  (unless otherwise noted).

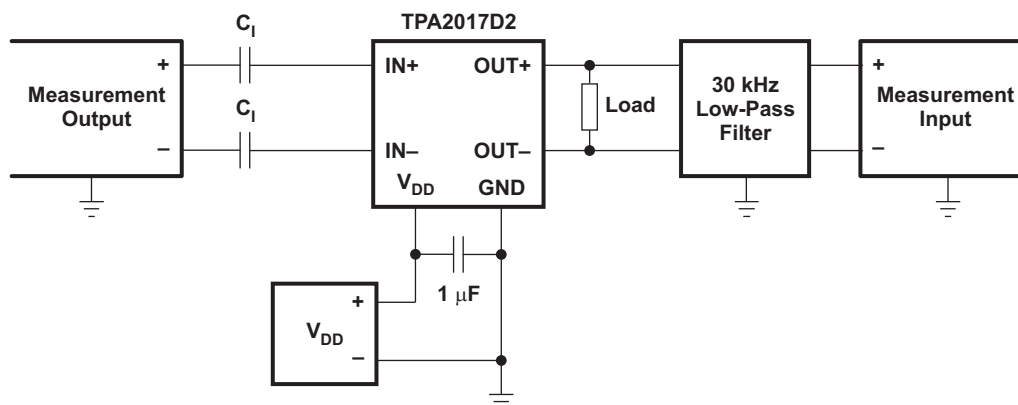
PARAMETER		TEST CONDITIONS	MIN	TYP	MAX	UNIT
$V_{DD}$	Supply voltage range		2.5	3.6	5.5	V
$I_{SD}$	Shutdown quiescent current	$EN = 0.35\text{ V}$ , $V_{DD} = 2.5\text{ V}$		0.1	1	$\mu\text{A}$
		$EN = 0.35\text{ V}$ , $V_{DD} = 3.6\text{ V}$		0.2	1	
		$EN = 0.35\text{ V}$ , $V_{DD} = 5.5\text{ V}$		0.3	1	
$I_{DD}$	Supply current	$V_{DD} = 2.5\text{ V}$		3.5	4.9	mA
		$V_{DD} = 3.6\text{ V}$		3.7	5.1	
		$V_{DD} = 5.5\text{ V}$		4.5	5.5	
$f_{SW}$	Class D Switching Frequency		275	300	325	kHz
$I_{IH}$	High-level input current	$V_{DD} = 5.5\text{ V}$ , $EN = 5.8\text{ V}$			1	$\mu\text{A}$
$I_{IL}$	Low-level input current	$V_{DD} = 5.5\text{ V}$ , $EN = -0.3\text{ V}$	–1			$\mu\text{A}$
$t_{START}$	Start-up time	$2.5\text{ V} \leq V_{DD} \leq 5.5\text{ V}$ no pop, $C_{IN} \leq 1\ \mu\text{F}$		5		ms
POR	Power on reset ON threshold			2	2.3	V
	Power on reset hysteresis			0.2		V
CMRR	Input common mode rejection	$R_L = 8\ \Omega$ , $V_{icm} = 0.5\text{ V}$ and $V_{icm} = V_{DD} - 0.8\text{ V}$ , differential inputs shorted		–70		dB
$V_{oo}$	Output offset voltage	$V_{DD} = 3.6\text{ V}$ , $A_V = 6\text{ dB}$ , $R_L = 8\ \Omega$ , inputs ac grounded	–10	0	10	mV
$Z_O$	Output Impedance in shutdown mode	$EN = 0.35\text{ V}$		2		k $\Omega$
	Gain accuracy	Compression and limiter disabled, Gain = 0 to 30 dB	–0.75		0.75	dB
PSRR	Power supply rejection ratio	$V_{DD} = 2.5\text{ V}$ to $4.7\text{ V}$		–80		dB

## OPERATING CHARACTERISTICS

at  $T_A = 25^\circ\text{C}$ ,  $V_{DD} = 3.6\text{V}$ ,  $EN = 1.3\text{V}$ ,  $R_L = 8\ \Omega + 33\ \mu\text{H}$ , and  $A_V = 6\ \text{dB}$  (unless otherwise noted).

PARAMETER	TEST CONDITIONS	MIN	TYP	MAX	UNIT
$k_{SVR}$ power-supply ripple rejection ratio	$V_{DD} = 3.6\ \text{Vdc}$ with ac of $200\ \text{mV}_{PP}$ at $217\ \text{Hz}$		-68		dB
THD+N Total harmonic distortion + noise	$f_{\text{aud\_in}} = 1\ \text{kHz}$ ; $P_O = 550\ \text{mW}$ ; $V_{DD} = 3.6\ \text{V}$		0.1%		
	$f_{\text{aud\_in}} = 1\ \text{kHz}$ ; $P_O = 1\ \text{W}$ ; $V_{DD} = 5\ \text{V}$		0.1%		
	$f_{\text{aud\_in}} = 1\ \text{kHz}$ ; $P_O = 630\ \text{mW}$ ; $V_{DD} = 3.6\ \text{V}$		1%		
	$f_{\text{aud\_in}} = 1\ \text{kHz}$ ; $P_O = 1.4\ \text{W}$ ; $V_{DD} = 5\ \text{V}$		1%		
$N_r$ Output integrated noise	$A_V = 6\ \text{dB}$		44		$\mu\text{V}$
	$A_V = 6\ \text{dB}$ floor, A-weighted		33		$\mu\text{V}$
$f$ Frequency response	$A_V = 6\ \text{dB}$	20		20000	Hz
$P_{O(\text{max})}$ Maximum output power	THD+N = 10%, $V_{DD} = 5\ \text{V}$ , $R_L = 4\ \Omega$		2.8		W
	THD+N = 10%, $V_{DD} = 3.6\ \text{V}$ , $R_L = 4\ \Omega$		1.5		W
	THD+N = 10%, $V_{DD} = 5\ \text{V}$ , $R_L = 8\ \Omega$		1.4		W
	THD+N = 10%, $V_{DD} = 3.6\ \text{V}$ , $R_L = 8\ \Omega$		630		mW
$\eta$ Efficiency	THD+N = 1%, $V_{DD} = 3.6\ \text{V}$ , $R_L = 8\ \Omega$ , $P_O = 0.63\ \text{W}$		90%		
	THD+N = 1%, $V_{DD} = 5\ \text{V}$ , $R_L = 8\ \Omega$ , $P_O = 1.4\ \text{W}$		90%		

### TEST SET-UP FOR GRAPHS



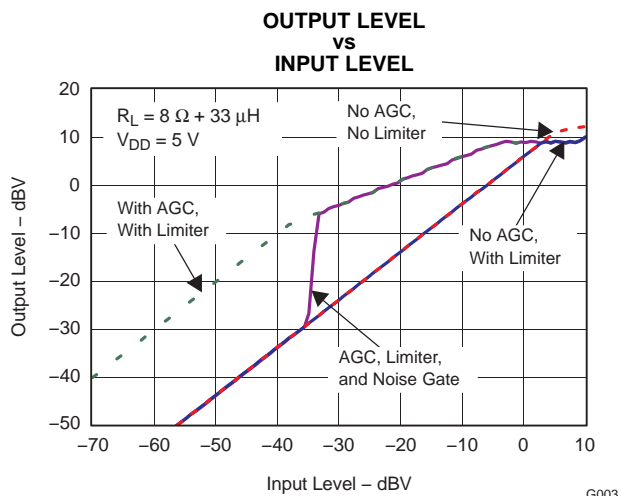
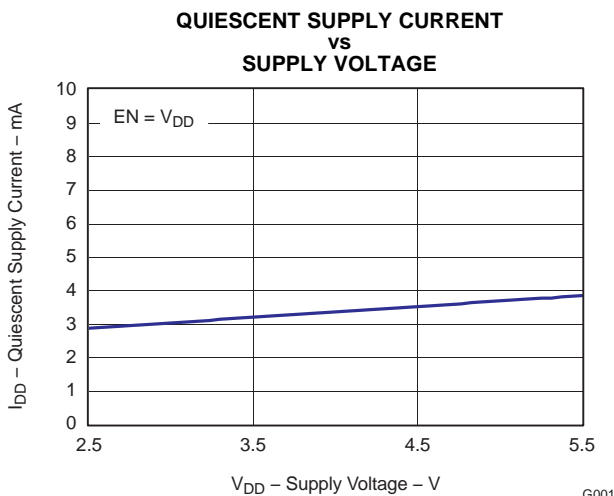
- (1) All measurements were taken with a  $1\text{-}\mu\text{F}$   $C_1$  (unless otherwise noted.)
- (2) A  $33\text{-}\mu\text{H}$  inductor was placed in series with the load resistor to emulate a small speaker for efficiency measurements.
- (3) The  $30\text{-kHz}$  low-pass filter is required, even if the analyzer has an internal low-pass filter. An RC low-pass filter ( $1\ \text{k}\Omega$   $4.7\ \text{nF}$ ) is used on each output for the data sheet graphs.

### TYPICAL CHARACTERISTICS

with  $C_{(DECOUPLE)} = 1 \mu\text{F}$ ,  $C_1 = 1 \mu\text{F}$ ,  $\text{AGC1} = \text{AGC2} = 0 \text{ V}$ .  
 All THD + N graphs are taken with outputs out of phase (unless otherwise noted).  
 All data is taken on left channel.

#### Table of Graphs

		FIGURE
Quiescent supply current	vs Supply voltage	Figure 1
Output Level	vs Input Level	Figure 2
Output power	vs Supply voltage	Figure 3
Total harmonic distortion + noise at 2.5 V	vs Frequency	Figure 4
Total harmonic distortion + noise at 3.6 V	vs Frequency	Figure 5
Total harmonic distortion + noise at 5 V	vs Frequency	Figure 6
Total harmonic distortion + noise	vs Output power at 8 $\Omega$	Figure 7
Total harmonic distortion + noise	vs Output power at 4 $\Omega$	Figure 8
Efficiency	vs Output power (per channel) at 8 $\Omega$	Figure 9
Efficiency	vs Output power (per channel) at 4 $\Omega$	Figure 10
Total power dissipation	vs Total output power at 8 $\Omega$	Figure 11
Total power dissipation	vs Total output power at 4 $\Omega$	Figure 12
Total supply current	vs Total output power at 8 $\Omega$	Figure 13
Total supply current	vs Total output power at 4 $\Omega$	Figure 14
Supply ripple rejection ratio	vs Frequency	Figure 15
Crosstalk	vs Frequency	Figure 16
Shutdown time		Figure 17
Startup time		Figure 18



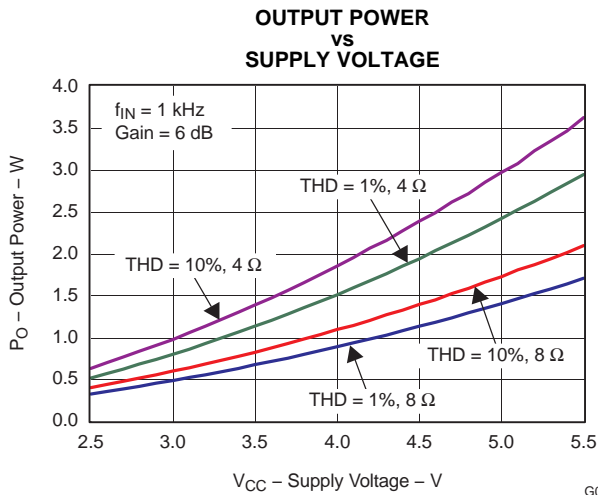


Figure 3.

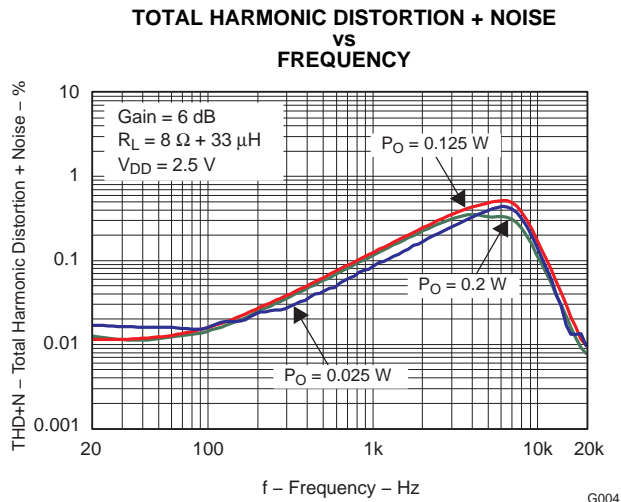


Figure 4.

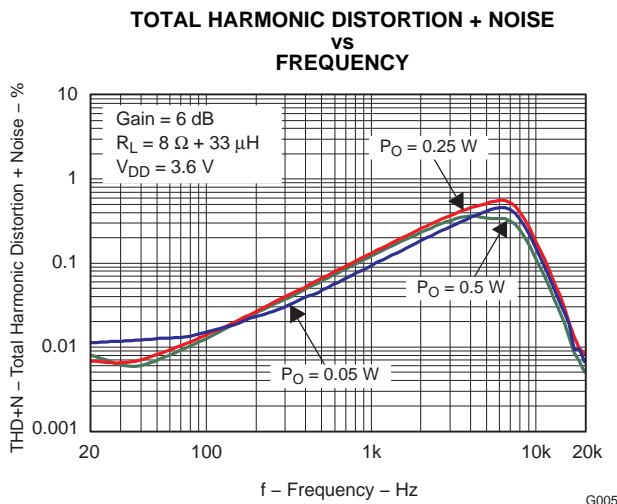


Figure 5.

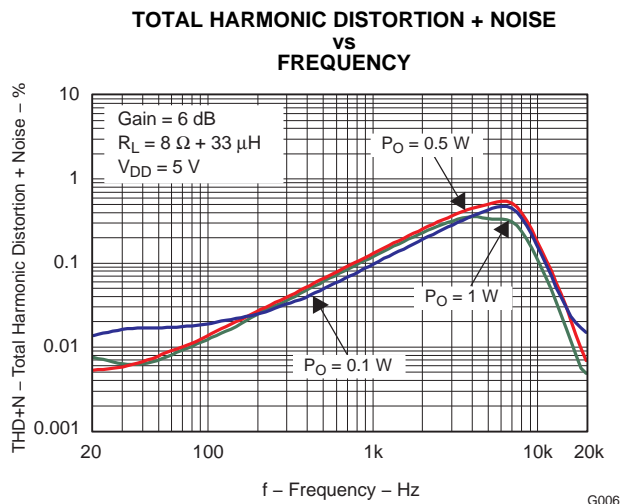


Figure 6.

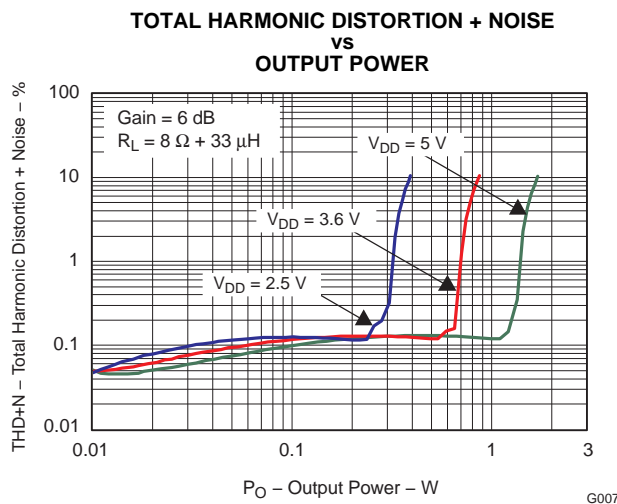


Figure 7.

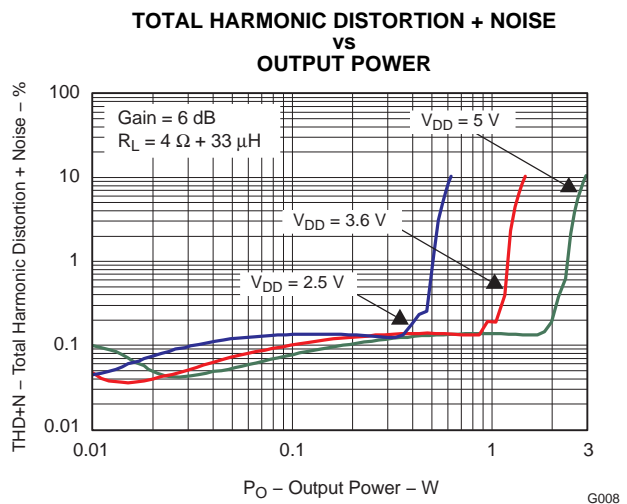


Figure 8.

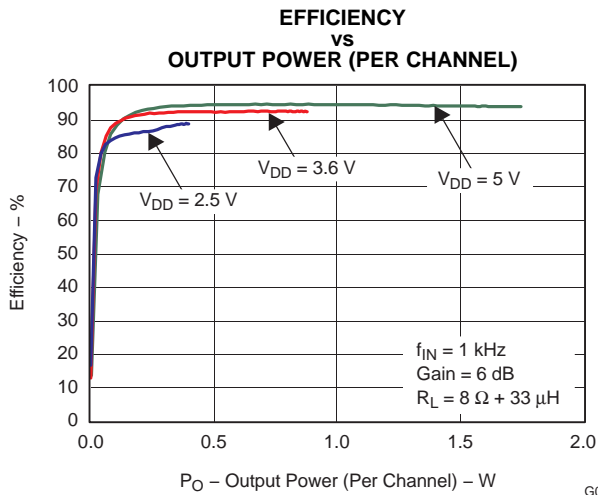


Figure 9.

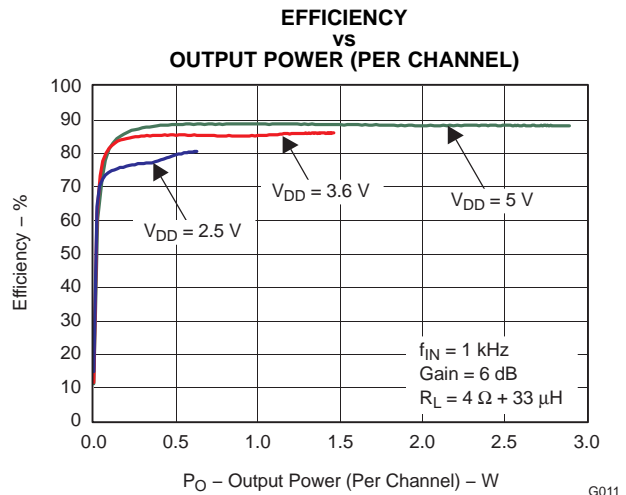


Figure 10.

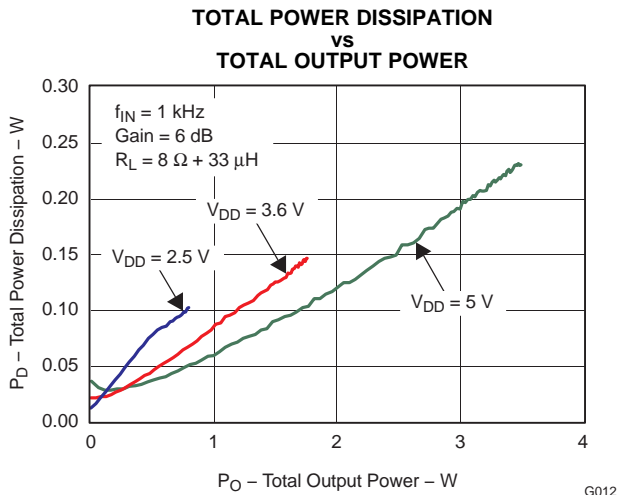


Figure 11.

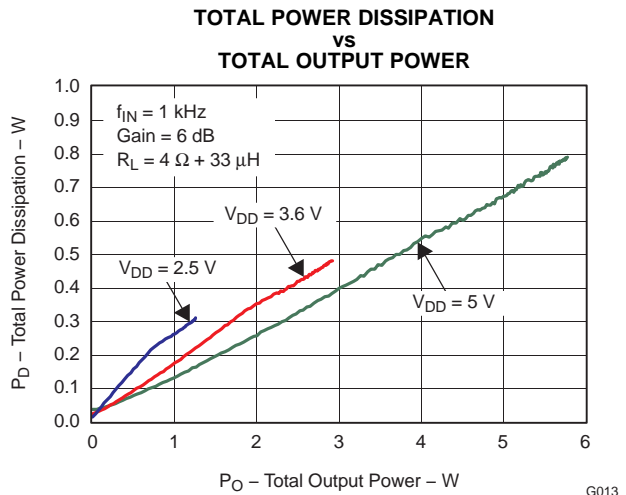


Figure 12.

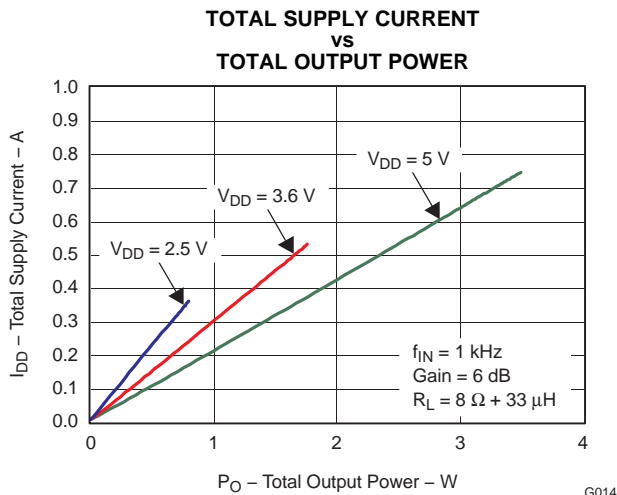


Figure 13.

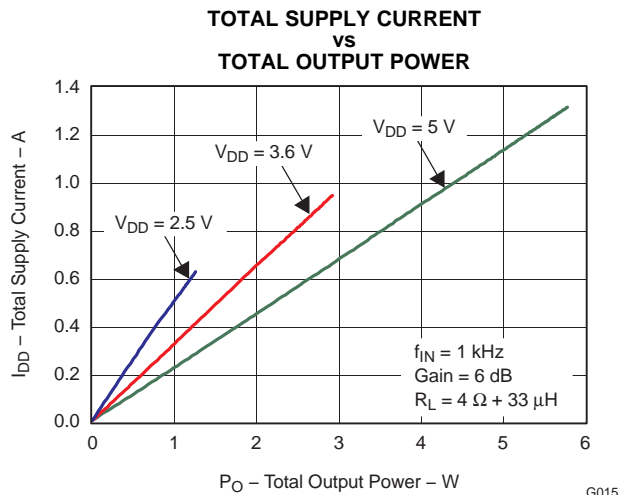


Figure 14.



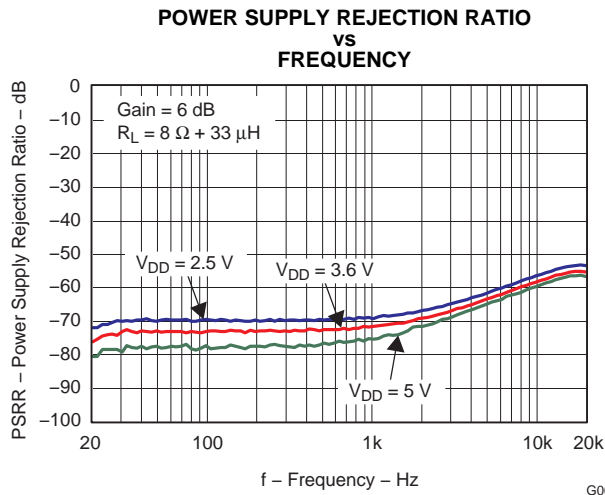


Figure 15.

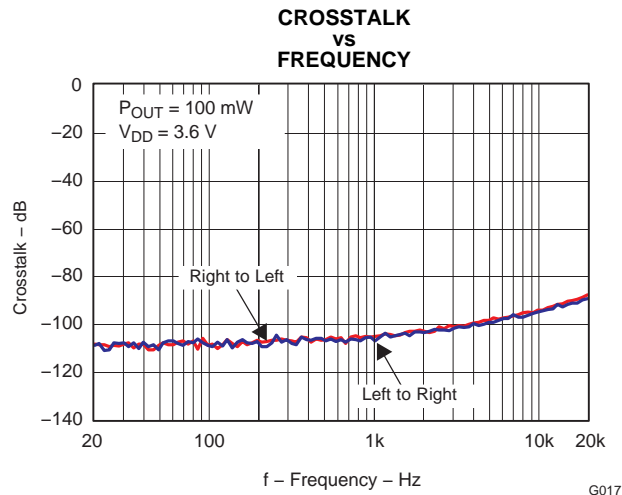


Figure 16.

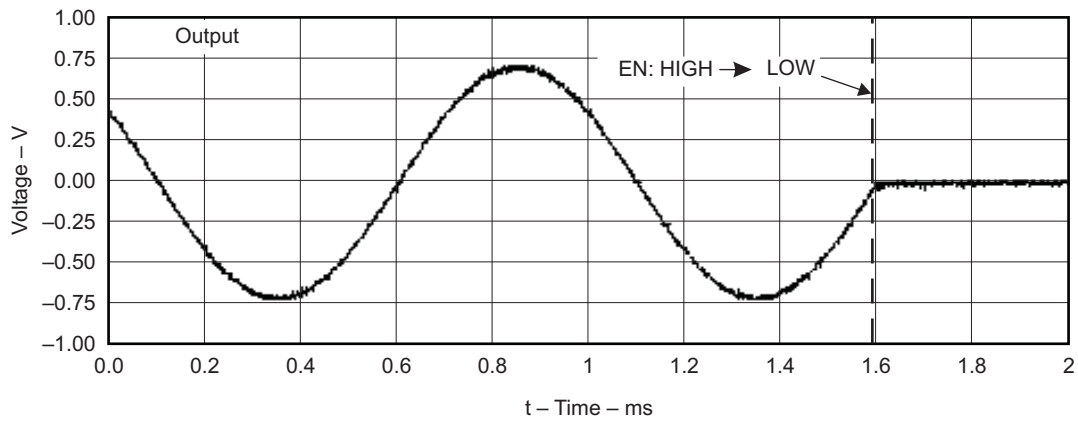


Figure 17. Shutdown Time

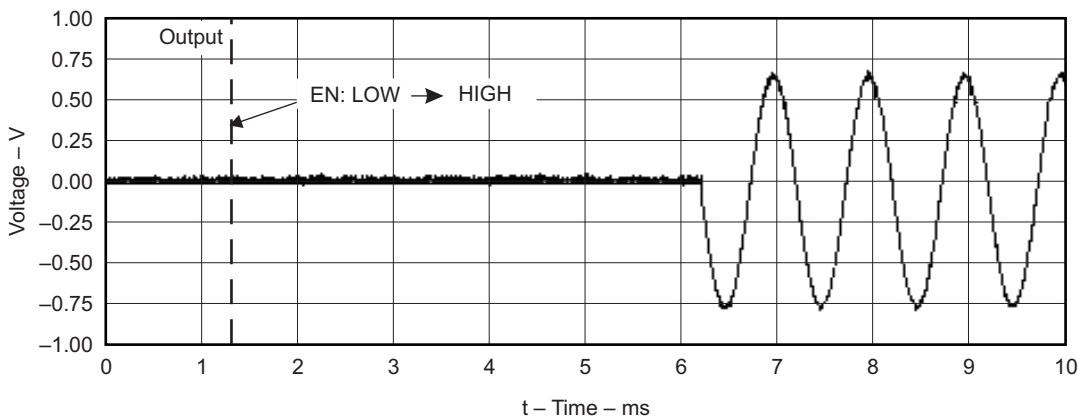


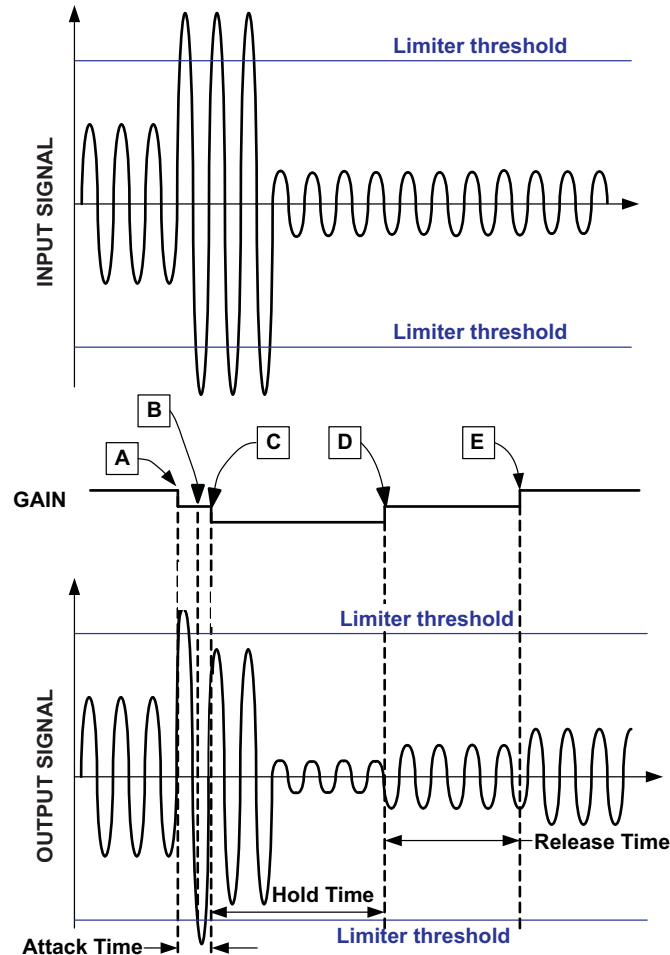
Figure 18. Startup Time

## APPLICATION INFORMATION

### AUTOMATIC GAIN CONTROL

The Automatic Gain Control (AGC) feature provides continuous automatic gain adjustment to the amplifier through an internal PGA. This feature enhances the perceived audio loudness and at the same time prevents speaker damage from occurring (Limiter function).

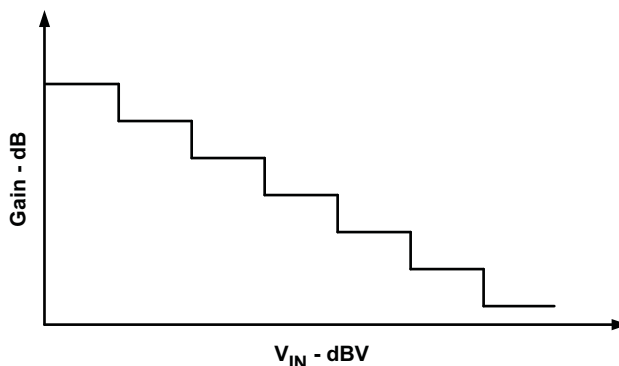
The AGC works by detecting the audio input envelope. The gain changes depending on the amplitude, the limiter level, the compression ratio, and the attack and release time. The gain changes constantly as the audio signal increases and/or decreases to create the compression effect. The gain step size for the AGC is 0.5 dB. If the audio signal has near-constant amplitude, the gain does not change. Figure 19 shows how the AGC works.



- A. Gain decreases with no delay; attack time is reset. Release time and hold time are reset.
- B. Signal amplitude above limiter level, but gain cannot change because attack time is not over.
- C. Attack time ends; gain is allowed to decrease from this point forward by one step. Gain decreases because the amplitude remains above limiter threshold. All times are reset
- D. Gain increases after release time finishes and signal amplitude remains below desired level. All times are reset after the gain increase.
- E. Gain increases after release time is finished again because signal amplitude remains below desired level. All times are reset after the gain increase.

**Figure 19. Input and Output Audio Signal vs Time**

Since the number of gain steps is limited the compression region is limited as well. The following figure shows how the gain changes vs. the input signal amplitude in the compression region.



**Figure 20. Input Signal Voltage vs Gain**

Thus the AGC performs a mapping of the input signal vs. the output signal amplitude.

Pins AGC1 and AGC 2 are used to enable/disable the limiter, compression, and noise gate function. [Table 1](#) shows each function.

**Table 1. FUNCTION DEFINITION FOR AGC1 AND AGC2**

AGC1	AGC2	Function
0	0	AGC Function disabled
0	1	AGC Limiter Function enabled
1	0	AGC, Limiter, and Compression Functions enabled
1	1	AGC, Limiter, Compression, and Noise Gate Functions enabled

The default values for the TPA2017D2 AGC function are given in [Table 2](#). The default values can be changed at the factory during production. Refer to the TI representative for assistance with different default value requests.

**Table 2. AGC DEFAULT VALUES**

Attack Time	6.4 ms / step
Release Time	1.81 sec/step
Fixed Gain	6 dB
NoiseGate Threshold	20 mV
Output Limiter Level	9 dBV
Max Gain	30 dB
Compression Ratio	2:1

## DECOUPLING CAPACITOR (C<sub>S</sub>)

The TPA2017D2 is a high-performance Class-D audio amplifier that requires adequate power supply decoupling to ensure the efficiency is high and total harmonic distortion (THD) is low. For higher frequency transients, spikes, or digital hash on the line, a good low equivalent-series-resistance (ESR) 1- $\mu$ F ceramic capacitor (typically) placed as close as possible to the device PVDD (L, R) lead works best. Placing this decoupling capacitor close to the TPA2017D2 is important for the efficiency of the Class-D amplifier, because any resistance or inductance in the trace between the device and the capacitor can cause a loss in efficiency. For filtering lower-frequency noise signals, a 4.7  $\mu$ F or greater capacitor placed near the audio power amplifier would also help, but it is not required in most applications because of the high PSRR of this device.

## INPUT CAPACITORS (C<sub>I</sub>)

The input capacitors and input resistors form a high-pass filter with the corner frequency,  $f_c$ , determined in Equation 1.

$$f_c = \frac{1}{(2\pi \times R_1 \times C_1)} \quad (1)$$

The value of the input capacitor is important to consider as it directly affects the bass (low frequency) performance of the circuit. Speakers in wireless phones cannot usually respond well to low frequencies, so the corner frequency can be set to block low frequencies in this application. Not using input capacitors can increase output offset. Equation 2 is used to solve for the input coupling capacitance. If the corner frequency is within the audio band, the capacitors should have a tolerance of  $\pm 10\%$  or better, because any mismatch in capacitance causes an impedance mismatch at the corner frequency and below.

$$C_1 = \frac{1}{(2\pi \times R_1 \times f_c)} \quad (2)$$

## COMPONENT LOCATION

Place all the external components very close to the TPA2017D2. Placing the decoupling capacitor, C<sub>S</sub>, close to the TPA2017D2 is important for the efficiency of the Class-D amplifier. Any resistance or inductance in the trace between the device and the capacitor can cause a loss in efficiency.

## EFFICIENCY AND THERMAL INFORMATION

The maximum ambient temperature depends on the heat-sinking ability of the PCB system. The derating factor for the packages are shown in the dissipation rating table. Converting this to  $\theta_{JA}$  for the WCSP package:

$$\theta_{JA} = \frac{1}{\text{Derating Factor}} = \frac{1}{0.01} = 100^\circ\text{C/W} \quad (3)$$

Given  $\theta_{JA}$  of 100°C/W, the maximum allowable junction temperature of 150°C, and the maximum internal dissipation of 0.4 W (0.2 W per channel) for 1.5 W per channel, 8- $\Omega$  load, 5-V supply, from Figure 9, the maximum ambient temperature can be calculated with the following equation.

$$T_{A\text{Max}} = T_{J\text{Max}} - \theta_{JA} P_{D\text{MAX}} = 150 - 100 (0.4) = 110^\circ\text{C} \quad (4)$$

Equation 4 shows that the calculated maximum ambient temperature is 110°C at maximum power dissipation with a 5-V supply and 8- $\Omega$  a load. The TPA2017D2 is designed with thermal protection that turns the device off when the junction temperature surpasses 150°C to prevent damage to the IC. Also, using speakers more resistive than 8- $\Omega$  dramatically increases the thermal performance by reducing the output current and increasing the efficiency of the amplifier.

## OPERATION WITH DACS AND CODECS

In using Class-D amplifiers with CODECs and DACs, sometimes there is an increase in the output noise floor from the audio amplifier. This occurs when mixing of the output frequencies of the CODEC/DAC mix with the switching frequencies of the audio amplifier input stage. The noise increase can be solved by placing a low-pass filter between the CODEC/DAC and audio amplifier. This filters off the high frequencies that cause the problem and allow proper performance. See the functional block diagram.

## FILTER FREE OPERATION AND FERRITE BEAD FILTERS

A ferrite bead filter can often be used if the design is failing radiated emissions without an LC filter and the frequency sensitive circuit is greater than 1 MHz. This filter functions well for circuits that just have to pass FCC and CE because FCC and CE only test radiated emissions greater than 30 MHz. When choosing a ferrite bead, choose one with high impedance at high frequencies, and low impedance at low frequencies. In addition, select a ferrite bead with adequate current rating to prevent distortion of the output signal.

Use an LC output filter if there are low frequency (< 1 MHz) EMI sensitive circuits and/or there are long leads from amplifier to speaker. [Figure 21](#) shows typical ferrite bead and LC output filters.

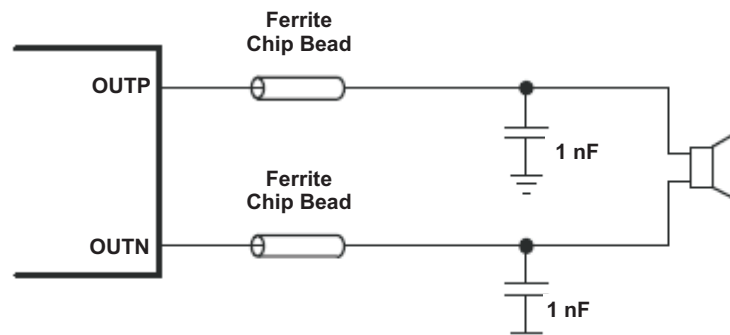


Figure 21. Typical Ferrite Bead Filter (Chip bead example: TDK: MPZ1608S221A)

**PACKAGING INFORMATION**

Orderable Device	Status <sup>(1)</sup>	Package Type	Package Drawing	Pins	Package Qty	Eco Plan <sup>(2)</sup>	Lead/Ball Finish	MSL Peak Temp <sup>(3)</sup>
TPA2017D2RTJR	ACTIVE	QFN	RTJ	20	3000	Green (RoHS & no Sb/Br)	CU NIPDAU	Level-2-260C-1 YEAR
TPA2017D2RTJT	ACTIVE	QFN	RTJ	20	250	Green (RoHS & no Sb/Br)	CU NIPDAU	Level-2-260C-1 YEAR

<sup>(1)</sup> The marketing status values are defined as follows:

**ACTIVE:** Product device recommended for new designs.

**LIFEBUY:** TI has announced that the device will be discontinued, and a lifetime-buy period is in effect.

**NRND:** Not recommended for new designs. Device is in production to support existing customers, but TI does not recommend using this part in a new design.

**PREVIEW:** Device has been announced but is not in production. Samples may or may not be available.

**OBsolete:** TI has discontinued the production of the device.

<sup>(2)</sup> Eco Plan - The planned eco-friendly classification: Pb-Free (RoHS), Pb-Free (RoHS Exempt), or Green (RoHS & no Sb/Br) - please check <http://www.ti.com/productcontent> for the latest availability information and additional product content details.

**TBD:** The Pb-Free/Green conversion plan has not been defined.

**Pb-Free (RoHS):** TI's terms "Lead-Free" or "Pb-Free" mean semiconductor products that are compatible with the current RoHS requirements for all 6 substances, including the requirement that lead not exceed 0.1% by weight in homogeneous materials. Where designed to be soldered at high temperatures, TI Pb-Free products are suitable for use in specified lead-free processes.

**Pb-Free (RoHS Exempt):** This component has a RoHS exemption for either 1) lead-based flip-chip solder bumps used between the die and package, or 2) lead-based die adhesive used between the die and leadframe. The component is otherwise considered Pb-Free (RoHS compatible) as defined above.

**Green (RoHS & no Sb/Br):** TI defines "Green" to mean Pb-Free (RoHS compatible), and free of Bromine (Br) and Antimony (Sb) based flame retardants (Br or Sb do not exceed 0.1% by weight in homogeneous material)

<sup>(3)</sup> MSL, Peak Temp. -- The Moisture Sensitivity Level rating according to the JEDEC industry standard classifications, and peak solder temperature.

**Important Information and Disclaimer:**The information provided on this page represents TI's knowledge and belief as of the date that it is provided. TI bases its knowledge and belief on information provided by third parties, and makes no representation or warranty as to the accuracy of such information. Efforts are underway to better integrate information from third parties. TI has taken and continues to take reasonable steps to provide representative and accurate information but may not have conducted destructive testing or chemical analysis on incoming materials and chemicals. TI and TI suppliers consider certain information to be proprietary, and thus CAS numbers and other limited information may not be available for release.

In no event shall TI's liability arising out of such information exceed the total purchase price of the TI part(s) at issue in this document sold by TI to Customer on an annual basis.

**TAPE AND REEL INFORMATION**
**REEL DIMENSIONS**

**TAPE DIMENSIONS**


A0	Dimension designed to accommodate the component width
B0	Dimension designed to accommodate the component length
K0	Dimension designed to accommodate the component thickness
W	Overall width of the carrier tape
P1	Pitch between successive cavity centers

**TAPE AND REEL INFORMATION**

\*All dimensions are nominal

Device	Package Type	Package Drawing	Pins	SPQ	Reel Diameter (mm)	Reel Width W1 (mm)	A0 (mm)	B0 (mm)	K0 (mm)	P1 (mm)	W (mm)	Pin1 Quadrant
TPA2017D2RTJR	QFN	RTJ	20	3000	330.0	12.4	4.3	4.3	1.1	8.0	12.0	Q2
TPA2017D2RTJR	QFN	RTJ	20	3000	330.0	12.4	4.25	4.25	1.15	8.0	12.0	Q2
TPA2017D2RTJT	QFN	RTJ	20	250	180.0	12.4	4.25	4.25	1.15	8.0	12.0	Q2
TPA2017D2RTJT	QFN	RTJ	20	250	180.0	12.4	4.3	4.3	1.1	8.0	12.0	Q2

**TAPE AND REEL BOX DIMENSIONS**

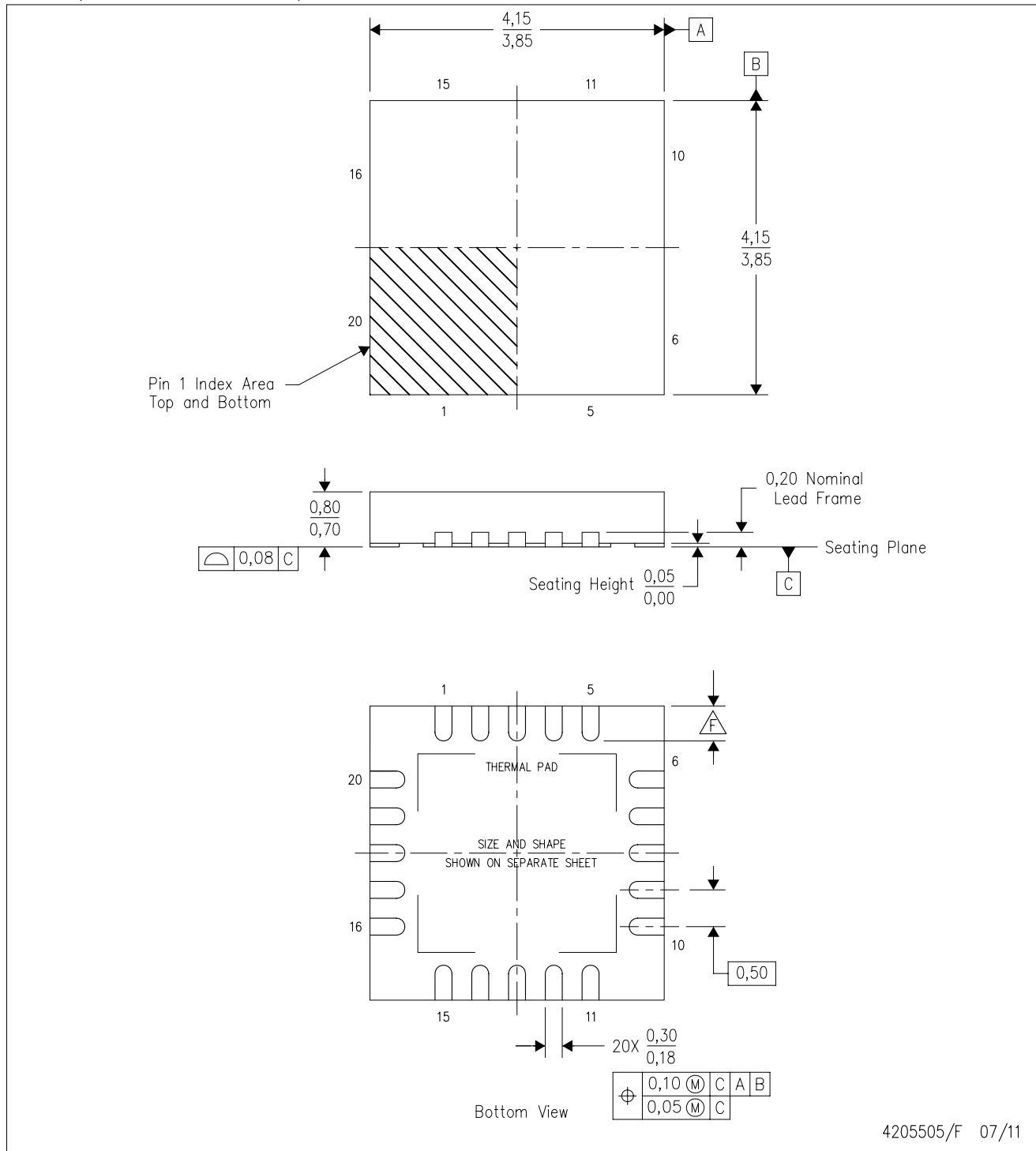

\*All dimensions are nominal

Device	Package Type	Package Drawing	Pins	SPQ	Length (mm)	Width (mm)	Height (mm)
TPA2017D2RTJR	QFN	RTJ	20	3000	370.0	355.0	55.0
TPA2017D2RTJR	QFN	RTJ	20	3000	367.0	367.0	35.0
TPA2017D2RTJT	QFN	RTJ	20	250	210.0	185.0	35.0
TPA2017D2RTJT	QFN	RTJ	20	250	195.0	200.0	45.0



RTJ (S-PWQFN-N20)

PLASTIC QUAD FLATPACK NO-LEAD



4205505/F 07/11

- NOTES:
- A. All linear dimensions are in millimeters. Dimensioning and tolerancing per ASME Y14.5-1994.
  - B. This drawing is subject to change without notice.
  - C. QFN (Quad Flatpack No-Lead) package configuration.
  - D. The package thermal pad must be soldered to the board for thermal and mechanical performance.
  - E. See the additional figure in the Product Data Sheet for details regarding the exposed thermal pad features and dimensions.
- Check thermal pad mechanical drawing in the product datasheet for nominal lead length dimensions.

RTJ (S-PWQFN-N20)

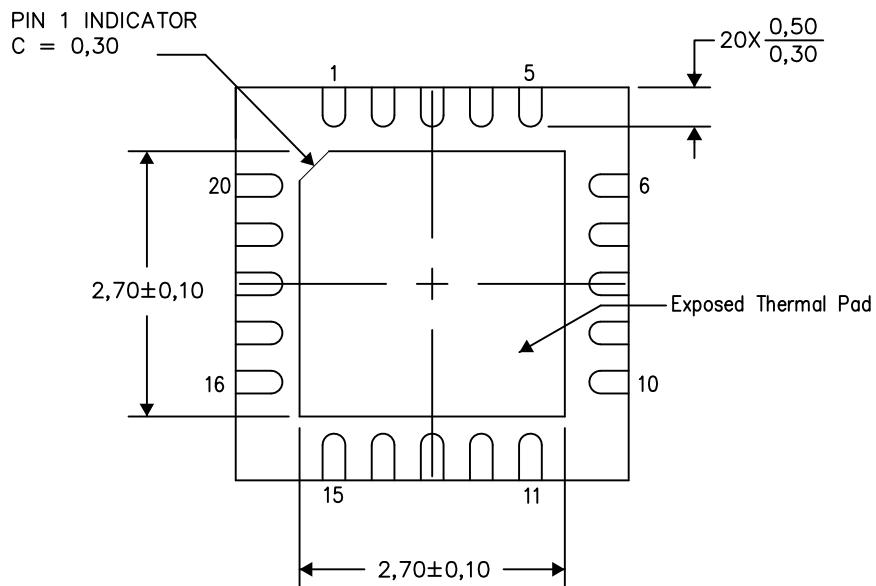
PLASTIC QUAD FLATPACK NO-LEAD

THERMAL INFORMATION

This package incorporates an exposed thermal pad that is designed to be attached directly to an external heatsink. The thermal pad must be soldered directly to the printed circuit board (PCB). After soldering, the PCB can be used as a heatsink. In addition, through the use of thermal vias, the thermal pad can be attached directly to the appropriate copper plane shown in the electrical schematic for the device, or alternatively, can be attached to a special heatsink structure designed into the PCB. This design optimizes the heat transfer from the integrated circuit (IC).

For information on the Quad Flatpack No-Lead (QFN) package and its advantages, refer to Application Report, QFN/SON PCB Attachment, Texas Instruments Literature No. SLUA271. This document is available at [www.ti.com](http://www.ti.com).

The exposed thermal pad dimensions for this package are shown in the following illustration.



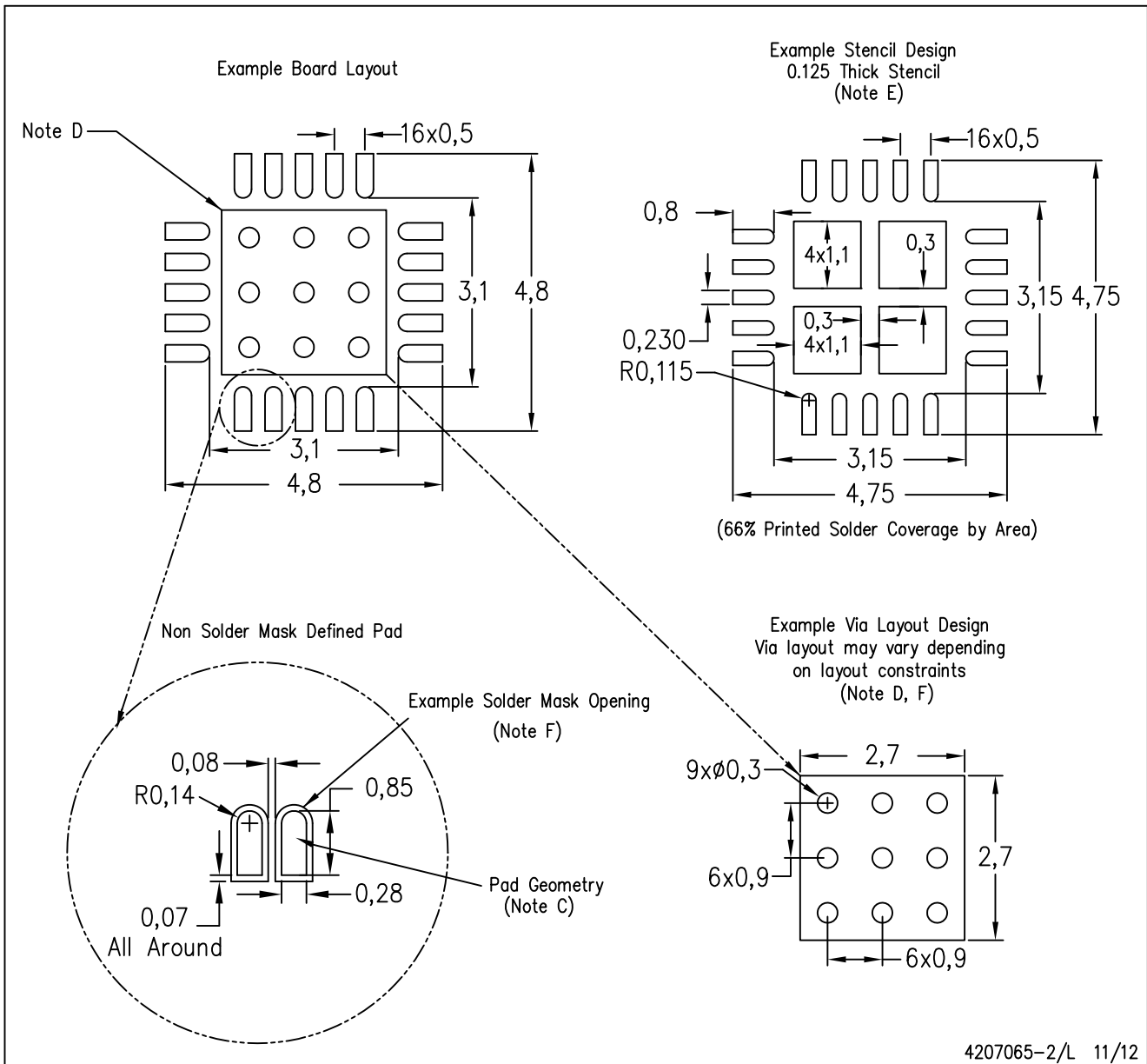
Exposed Thermal Pad Dimensions

4206256-2/R 11/12

NOTE: All linear dimensions are in millimeters

RTJ (S-PWQFN-N20)

PLASTIC QUAD FLATPACK NO-LEAD



- NOTES:
- A. All linear dimensions are in millimeters.
  - B. This drawing is subject to change without notice.
  - C. Publication IPC-7351 is recommended for alternate designs.
  - D. This package is designed to be soldered to a thermal pad on the board. Refer to Application Note, Quad Flat-Pack Packages, Texas Instruments Literature No. SLUA271, and also the Product Data Sheets for specific thermal information, via requirements, and recommended board layout. These documents are available at [www.ti.com](http://www.ti.com) <<http://www.ti.com>>.
  - E. Laser cutting apertures with trapezoidal walls and also rounding corners will offer better paste release. Customers should contact their board assembly site for stencil design recommendations. Refer to IPC 7525 for stencil design considerations.
  - F. Customers should contact their board fabrication site for recommended solder mask tolerances and via tenting recommendations for vias placed in the thermal pad.

## IMPORTANT NOTICE

Texas Instruments Incorporated and its subsidiaries (TI) reserve the right to make corrections, enhancements, improvements and other changes to its semiconductor products and services per JESD46, latest issue, and to discontinue any product or service per JESD48, latest issue. Buyers should obtain the latest relevant information before placing orders and should verify that such information is current and complete. All semiconductor products (also referred to herein as "components") are sold subject to TI's terms and conditions of sale supplied at the time of order acknowledgment.

TI warrants performance of its components to the specifications applicable at the time of sale, in accordance with the warranty in TI's terms and conditions of sale of semiconductor products. Testing and other quality control techniques are used to the extent TI deems necessary to support this warranty. Except where mandated by applicable law, testing of all parameters of each component is not necessarily performed.

TI assumes no liability for applications assistance or the design of Buyers' products. Buyers are responsible for their products and applications using TI components. To minimize the risks associated with Buyers' products and applications, Buyers should provide adequate design and operating safeguards.

TI does not warrant or represent that any license, either express or implied, is granted under any patent right, copyright, mask work right, or other intellectual property right relating to any combination, machine, or process in which TI components or services are used. Information published by TI regarding third-party products or services does not constitute a license to use such products or services or a warranty or endorsement thereof. Use of such information may require a license from a third party under the patents or other intellectual property of the third party, or a license from TI under the patents or other intellectual property of TI.

Reproduction of significant portions of TI information in TI data books or data sheets is permissible only if reproduction is without alteration and is accompanied by all associated warranties, conditions, limitations, and notices. TI is not responsible or liable for such altered documentation. Information of third parties may be subject to additional restrictions.

Resale of TI components or services with statements different from or beyond the parameters stated by TI for that component or service voids all express and any implied warranties for the associated TI component or service and is an unfair and deceptive business practice. TI is not responsible or liable for any such statements.

Buyer acknowledges and agrees that it is solely responsible for compliance with all legal, regulatory and safety-related requirements concerning its products, and any use of TI components in its applications, notwithstanding any applications-related information or support that may be provided by TI. Buyer represents and agrees that it has all the necessary expertise to create and implement safeguards which anticipate dangerous consequences of failures, monitor failures and their consequences, lessen the likelihood of failures that might cause harm and take appropriate remedial actions. Buyer will fully indemnify TI and its representatives against any damages arising out of the use of any TI components in safety-critical applications.

In some cases, TI components may be promoted specifically to facilitate safety-related applications. With such components, TI's goal is to help enable customers to design and create their own end-product solutions that meet applicable functional safety standards and requirements. Nonetheless, such components are subject to these terms.

No TI components are authorized for use in FDA Class III (or similar life-critical medical equipment) unless authorized officers of the parties have executed a special agreement specifically governing such use.

Only those TI components which TI has specifically designated as military grade or "enhanced plastic" are designed and intended for use in military/aerospace applications or environments. Buyer acknowledges and agrees that any military or aerospace use of TI components which have **not** been so designated is solely at the Buyer's risk, and that Buyer is solely responsible for compliance with all legal and regulatory requirements in connection with such use.

TI has specifically designated certain components as meeting ISO/TS16949 requirements, mainly for automotive use. In any case of use of non-designated products, TI will not be responsible for any failure to meet ISO/TS16949.

### Products

Audio	<a href="http://www.ti.com/audio">www.ti.com/audio</a>
Amplifiers	<a href="http://amplifier.ti.com">amplifier.ti.com</a>
Data Converters	<a href="http://dataconverter.ti.com">dataconverter.ti.com</a>
DLP® Products	<a href="http://www.dlp.com">www.dlp.com</a>
DSP	<a href="http://dsp.ti.com">dsp.ti.com</a>
Clocks and Timers	<a href="http://www.ti.com/clocks">www.ti.com/clocks</a>
Interface	<a href="http://interface.ti.com">interface.ti.com</a>
Logic	<a href="http://logic.ti.com">logic.ti.com</a>
Power Mgmt	<a href="http://power.ti.com">power.ti.com</a>
Microcontrollers	<a href="http://microcontroller.ti.com">microcontroller.ti.com</a>
RFID	<a href="http://www.ti-rfid.com">www.ti-rfid.com</a>
OMAP Applications Processors	<a href="http://www.ti.com/omap">www.ti.com/omap</a>
Wireless Connectivity	<a href="http://www.ti.com/wirelessconnectivity">www.ti.com/wirelessconnectivity</a>

### Applications

Automotive and Transportation	<a href="http://www.ti.com/automotive">www.ti.com/automotive</a>
Communications and Telecom	<a href="http://www.ti.com/communications">www.ti.com/communications</a>
Computers and Peripherals	<a href="http://www.ti.com/computers">www.ti.com/computers</a>
Consumer Electronics	<a href="http://www.ti.com/consumer-apps">www.ti.com/consumer-apps</a>
Energy and Lighting	<a href="http://www.ti.com/energy">www.ti.com/energy</a>
Industrial	<a href="http://www.ti.com/industrial">www.ti.com/industrial</a>
Medical	<a href="http://www.ti.com/medical">www.ti.com/medical</a>
Security	<a href="http://www.ti.com/security">www.ti.com/security</a>
Space, Avionics and Defense	<a href="http://www.ti.com/space-avionics-defense">www.ti.com/space-avionics-defense</a>
Video and Imaging	<a href="http://www.ti.com/video">www.ti.com/video</a>

### TI E2E Community

[e2e.ti.com](http://e2e.ti.com)