

## 3-W STEREO AUDIO POWER AMPLIFIER WITH ADVANCED DC VOLUME CONTROL

Check for Samples : [TPA6012A4](#)

### FEATURES

- **Advanced 32 Steps DC Volume Control**
  - Steps From  $-40$  dB to  $18$  dB
  - Fade Mode
  - $-85$ -dB Mute Mode
- **3 W Into  $3\text{-}\Omega$  Speakers**
- **Differential Inputs**
- **Headphone Mode**
- **Pin-to-Pin Compatible With TPA6011A4 and TPA6013A4**
- **24-Pin PowerPAD™ Package (PWP)**

### APPLICATIONS

- **LCD Monitors**
- **Notebook PC**
- **All-in-One PC**

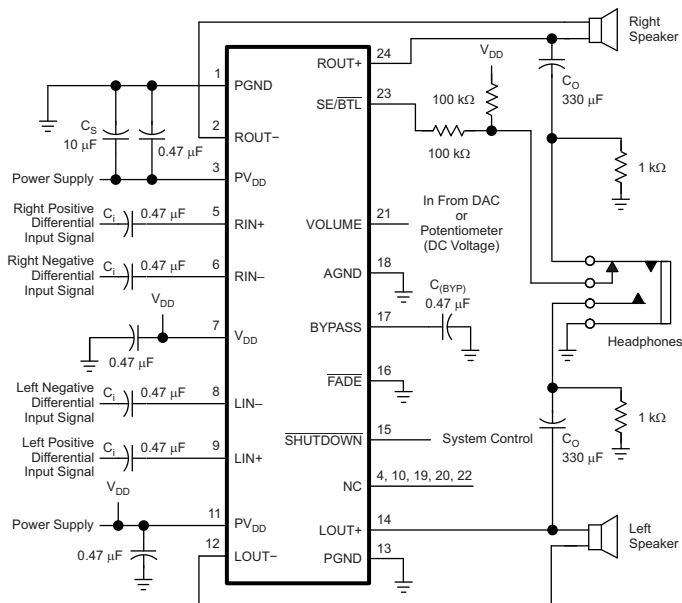
### DESCRIPTION

The TPA6012A4 is a stereo audio power amplifier that drives 3 W/channel of continuous RMS power into a  $3\text{-}\Omega$  load. Advanced dc volume control minimizes external components and allows BTL (speaker) volume control and SE (headphone) volume control. LCD monitors and notebook benefit from the integrated feature set that minimizes external components without sacrificing functionality.

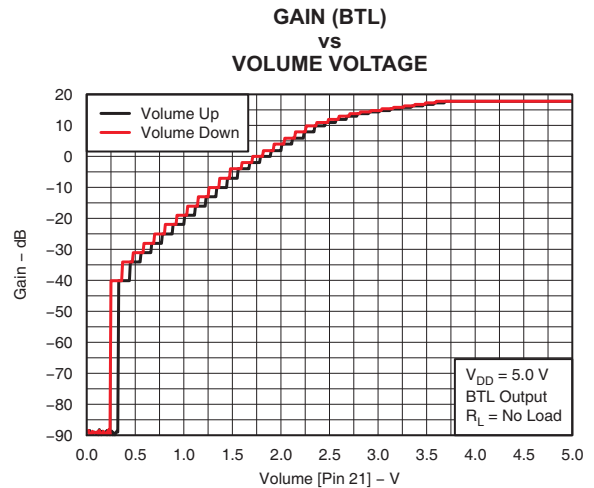
To simplify design, the speaker volume level is adjusted by applying a dc voltage to the VOLUME terminal. To ensure a smooth transition between active and shutdown modes, a fade mode ramps the volume up and down.

The 24-pin PowerPAD™ package (PWP) enhances thermal performance.

### APPLICATION CIRCUIT



### DC VOLUME CONTROL



**Figure 1. Application Circuit and DC Volume Control**

S001



Please be aware that an important notice concerning availability, standard warranty, and use in critical applications of Texas Instruments semiconductor products and disclaimers thereto appears at the end of this data sheet.

PowerPAD is a trademark of Texas Instruments.

PRODUCTION DATA information is current as of publication date. Products conform to specifications per the terms of the Texas Instruments standard warranty. Production processing does not necessarily include testing of all parameters.

Copyright © 2009, Texas Instruments Incorporated



This integrated circuit can be damaged by ESD. Texas Instruments recommends that all integrated circuits be handled with appropriate precautions. Failure to observe proper handling and installation procedures can cause damage.

ESD damage can range from subtle performance degradation to complete device failure. Precision integrated circuits may be more susceptible to damage because very small parametric changes could cause the device not to meet its published specifications.

### AVAILABLE OPTIONS

T <sub>A</sub>	PACKAGE
	24-PIN TSSOP (PWP)
–40°C to 85°C	TPA6012A4PWP

### ABSOLUTE MAXIMUM RATINGS

over operating free-air temperature range (unless otherwise noted)<sup>(1)</sup>

		UNIT
V <sub>SS</sub>	Supply voltage, V <sub>DD</sub> , PV <sub>DD</sub>	–0.3 V to 6 V
V <sub>I</sub>	Input voltage, RIN+, RIN–, LIN+, LIN–	–0.3 V to V <sub>DD</sub> +0.3 V
	Continuous total power dissipation	See Dissipation Rating Table
T <sub>A</sub>	Operating free-air temperature range	–40°C to 85°C
T <sub>J</sub>	Operating junction temperature range	–40°C to 150°C
T <sub>stg</sub>	Storage temperature range	–65°C to 85°C

- (1) Stresses beyond those listed under "absolute maximum ratings" may cause permanent damage to the device. These are stress ratings only, and functional operation of the device at these or any other conditions beyond those indicated under "recommended operating conditions" is not implied. Exposure to absolute-maximum-rated conditions for extended periods may affect device reliability.

### DISSIPATION RATING TABLE<sup>(1)</sup>

PACKAGE	T <sub>A</sub> = 25°C POWER RATING	DERATING FACTOR ABOVE T <sub>A</sub> = 25°C	T <sub>A</sub> = 70°C POWER RATING	T <sub>A</sub> = 85°C POWER RATING
PWP	2.7 mW	21.8 mW/°C	1.7 W	1.4 W

- (1) All characterization is done using an external heatsink with  $\theta_{SA} = 25^\circ\text{C}/\text{W}$ . The resulting derating factor is 22.2 mW/°C.

**RECOMMENDED OPERATING CONDITIONS**

		MIN	MAX	UNIT
V <sub>SS</sub>	Supply voltage, V <sub>DD</sub> , PV <sub>DD</sub>	4	5.5	V
V <sub>IH</sub>	High-level input voltage	SE/BTL, FADE	0.8 x V <sub>DD</sub>	V
		SHUTDOWN	2	V
V <sub>IL</sub>	Low-level input voltage	SE/BTL, FADE	0.6 x V <sub>DD</sub>	V
		SHUTDOWN	0.8	V
T <sub>A</sub>	Operating free-air temperature	-40	85	°C

**ELECTRICAL CHARACTERISTICS**

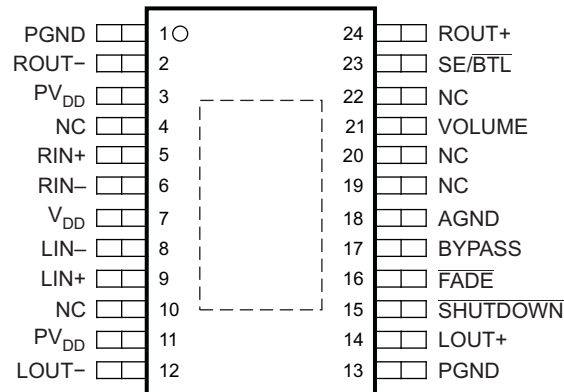
 T<sub>A</sub> = 25°C, V<sub>DD</sub> = PV<sub>DD</sub> = 5.5 V (unless otherwise noted)

PARAMETER		TEST CONDITIONS	MIN	TYP	MAX	UNIT
V <sub>OO</sub>	Output offset voltage (measured differentially)	V <sub>DD</sub> = 5.5 V, Gain = 0 dB, SE/BTL = 0 V		2	30	mV
		V <sub>DD</sub> = 5.5 V, Gain = 18 dB, SE/BTL = 0 V		2.6	50	mV
PSRR	Power supply rejection ratio	V <sub>DD</sub> = PV <sub>DD</sub> = 4 V to 5.5 V, Gain = 0 dB		-80		dB
I <sub>IH</sub>	High-level input current (SE/BTL, FADE, SHUTDOWN, VOLUME)	V <sub>DD</sub> = PV <sub>DD</sub> = 5.5 V, V <sub>I</sub> = V <sub>DD</sub> = PV <sub>DD</sub>			1	μA
I <sub>IL</sub>	Low-level input current (SE/BTL, FADE, SHUTDOWN, VOLUME)	V <sub>DD</sub> = PV <sub>DD</sub> = 5 V, V <sub>I</sub> = 0 V			1	μA
I <sub>DD</sub>	Supply current, no load	V <sub>DD</sub> = PV <sub>DD</sub> = 5 V, SE/BTL = 0 V, SHUTDOWN = 2 V		6.7	9	mA
		V <sub>DD</sub> = PV <sub>DD</sub> = 5 V, SE/BTL = 5 V, SHUTDOWN = 2 V		4.5	6	
I <sub>DD</sub>	Supply current, max power into a 3-Ω load	V <sub>DD</sub> = 5 V = PV <sub>DD</sub> , SE/BTL = 0 V, SHUTDOWN = 2 V, R <sub>L</sub> = 3 Ω, P <sub>O</sub> = 2 W, stereo		1.5		A <sub>RMS</sub>
I <sub>DD(SD)</sub>	Supply current, shutdown mode	SHUTDOWN = 0 V		10	25	μA

**OPERATING CHARACTERISTICS**

 T<sub>A</sub> = 25°C, V<sub>DD</sub> = PV<sub>DD</sub> = 5 V, R<sub>L</sub> = 3 Ω, Gain = 6 dB, Stereo (unless otherwise noted)

PARAMETER		TEST CONDITIONS	MIN	TYP	MAX	UNIT
P <sub>O</sub>	Output power	THD = 1%, f = 1 kHz, R <sub>L</sub> = 16 Ω (SE)		195		mW
		THD = 10%, f = 1 kHz, R <sub>L</sub> = 16 Ω (SE)		235		mW
		THD = 1%, f = 1 kHz, R <sub>L</sub> = 3 Ω (BTL)		2.0		W
		THD = 10%, f = 1 kHz, V <sub>DD</sub> = 5.5 V, R <sub>L</sub> = 3 Ω (BTL)		3.2		
THD+N	Total harmonic distortion + noise	P <sub>O</sub> = 0.9 W, R <sub>L</sub> = 8 Ω (BTL), f = 20 Hz to 20 kHz		<0.1%		
		P <sub>O</sub> = 0.1 W, R <sub>L</sub> = 16 Ω (SE), f = 20 Hz to 20 kHz		0.03%		
V <sub>OH</sub>	High-level output voltage	R <sub>L</sub> = 8 Ω, Measured between output and V <sub>DD</sub> = 5.5 V			700	mV
V <sub>OL</sub>	Low-level output voltage	R <sub>L</sub> = 8 Ω, Measured between output and GND, V <sub>DD</sub> = 5.5 V			400	mV
V <sub>(Bypass)</sub>	Bypass voltage (Nominally V <sub>DD</sub> /2)	Measured at pin 17, No load, V <sub>DD</sub> = 5.5 V	2.65	2.75	2.85	V
	Supply ripple rejection ratio	f = 1 kHz, Gain = 0 dB, C <sub>(BYP)</sub> = 1 μF	BTL (4Ω)		-66	dB
			SE (32Ω)		-60	dB
	Crosstalk		BTL		110	dB
			SE		102	dB
	Noise output voltage	f = 20 Hz to 20 kHz, Gain = 0 dB, C <sub>(BYP)</sub> = 1 μF			36	μV <sub>RMS</sub>
Z <sub>I</sub>	Input impedance (see Figure 20)	VOLUME = 5 V		12		kΩ

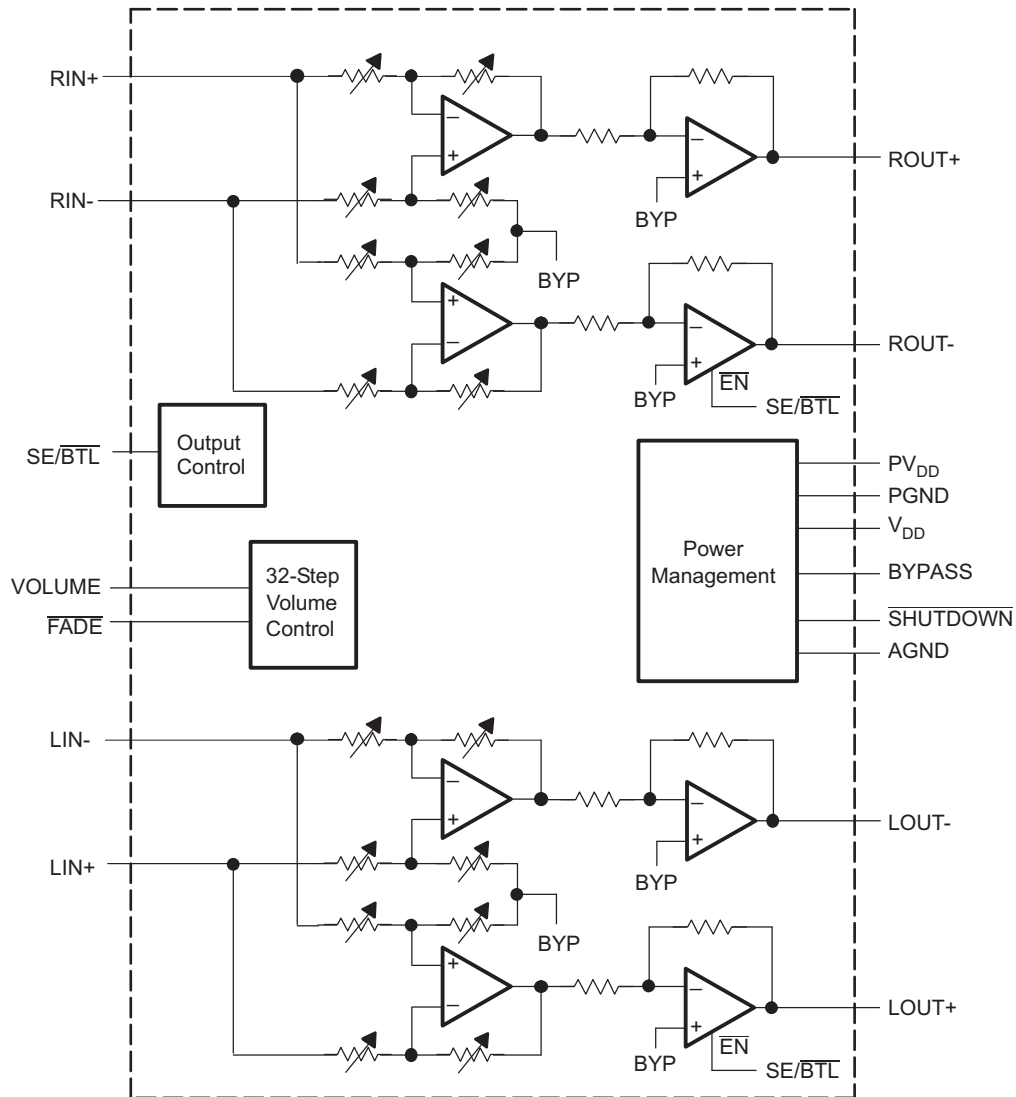
**PWP Package  
(Top View)**


P0110-02

**Terminal Functions**

TERMINAL NAME	NO.	I/O	DESCRIPTION
BYPASS	17	I	Tap to voltage divider for internal mid-supply bias generator used for analog reference
$\overline{\text{FADE}}$	16	I	Places the amplifier in fade mode if a logic low is placed on this terminal; normal operation if a logic high is placed on this terminal.
AGND	18	–	Analog power supply ground
LIN-	8	I	Left channel negative input for fully differential input.
LIN+	9	I	Left channel positive input for fully differential input.
LOU-	12	O	Left channel negative audio output
LOU+	14	O	Left channel positive audio output.
NC	4, 10, 19, 20, 22	–	No connection
PGND	1, 13	–	Power ground
PV <sub>DD</sub>	3, 11	–	Supply voltage terminal for power stage
RIN+	5	I	Right channel positive input for fully differential input.
RIN-	6	I	Right channel negative input for fully differential input.
ROUT-	2	O	Right channel negative audio output
ROUT+	24	O	Right channel positive audio output
SE/ $\overline{\text{BTL}}$	23	I	Output control. When this terminal is high, SE outputs are selected. When this terminal is low, BTL outputs are selected.
$\overline{\text{SHUTDOWN}}$	15	I	Places the amplifier in shutdown mode if a TTL logic low is placed on this terminal
V <sub>DD</sub>	7	–	Supply voltage terminal
DC VOLUME	21	I	Terminal for dc volume control. DC voltage range is 0 to V <sub>DD</sub> .

FUNCTIONAL BLOCK DIAGRAM



NOTE: All resistor wipers are adjusted with 32 step volume control.

**Table 1. DC Volume Control (BTL Mode,  $V_{DD} = 5\text{ V}$ )<sup>(1)</sup>**

VOLUME (PIN 21)		GAIN OF AMPLIFIER (Typ) <sup>(2)</sup>
FROM (V)	TO (V)	
0.00	0.26	-85
0.33	0.37	-40
0.44	0.48	-34
0.56	0.59	-31
0.67	0.70	-28
0.78	0.82	-25
0.89	0.93	-22
1.01	1.04	-19
1.12	1.16	-16
1.23	1.27	-13
1.35	1.38	-10
1.46	1.49	-7
1.57	1.60	-4
1.68	1.72	-2
1.79	1.83	0
1.91	1.94	2
2.02	2.06	4
2.13	2.17	6
2.25	2.28	8
2.36	2.39	10
2.47	2.50	11
2.58	2.61	12
2.70	2.73	13
2.81	2.83	14
2.92	2.95	14.5
3.04	3.06	15
3.15	3.17	15.5
3.26	3.29	16
3.38	3.40	16.5
3.49	3.51	17
3.60	3.63	17.5
3.71	5.00	18

(1) For other values of  $V_{DD}$ , scale the voltage values in the table by a factor of  $V_{DD}/5$ .

(2) Tested in production.

**Table 2. DC Volume Control (SE Mode,  $V_{DD} = 5\text{ V}$ )<sup>(1)</sup>**

VOLUME (PIN 21)		GAIN OF AMPLIFIER (Typ)
FROM (V)	TO (V)	
0.00	0.26	-85
0.33	0.37	-46
0.44	0.48	-40
0.56	0.59	-37
0.67	0.70	-34
0.78	0.82	-31
0.89	0.93	-28
1.01	1.04	-25
1.12	1.16	-22
1.23	1.27	-19
1.35	1.38	-16
1.46	1.49	-13
1.57	1.60	-10
1.68	1.72	-8
1.79	1.83	-6 <sup>(2)</sup>
1.91	1.94	-4
2.02	2.06	-2
2.13	2.17	0 <sup>(2)</sup>
2.25	2.28	2
2.36	2.39	4
2.47	2.50	5
2.58	2.61	6 <sup>(2)</sup>
2.70	2.73	7
2.81	2.83	8
2.92	2.95	8.5
3.04	3.06	9
3.15	3.17	9.5
3.26	3.29	10
3.38	3.40	10.5
3.49	3.51	11
3.60	3.63	11.5
3.71	5.00	12

(1) For other values of  $V_{DD}$ , scale the voltage values in the table by a factor of  $V_{DD}/5$ .

(2) Tested in production. Remaining gain steps are specified by design.

### TYPICAL CHARACTERISTICS

Test conditions (unless otherwise noted) for typical operating performance:  
 $V_{DD} = 5.0\text{ V}$ ,  $C_{IN} = 1\ \mu\text{F}$ ,  $C_{BYPASS} = 1\ \mu\text{F}$ ,  $T_A = 27^\circ\text{C}$ , SHUTDOWN =  $V_{DD}$

#### Table of Graphs

Gain (BTL)		vs Volume voltage	Figure 1
THD+N	Total harmonic distortion plus noise (BTL)	vs Frequency	Figure 2, Figure 3, Figure 4
		vs Output power	Figure 7, Figure 8, Figure 9
THD+N	Total harmonic distortion plus noise (SE)	vs Frequency	Figure 5, Figure 6
		vs Output power	Figure 10
		vs Output voltage	Figure 11
$P_D$	Total power dissipation (BTL)	vs Total output power	Figure 12
$P_D$	Total power dissipation (SE)	vs Total output power	Figure 13
	Crosstalk (BTL)	vs Frequency	Figure 14
	Crosstalk (SE)	vs Frequency	Figure 15
PSRR	Power supply rejection ratio (BTL)	vs Frequency	Figure 16
PSRR	Power supply rejection ratio (SE)	vs Frequency	Figure 17
$I_{DD}$	Supply current (BTL)	vs Total output power	Figure 18
$I_{DD}$	Supply current (SE)	vs Total output power	Figure 19
	Input impedance	vs Gain	Figure 20

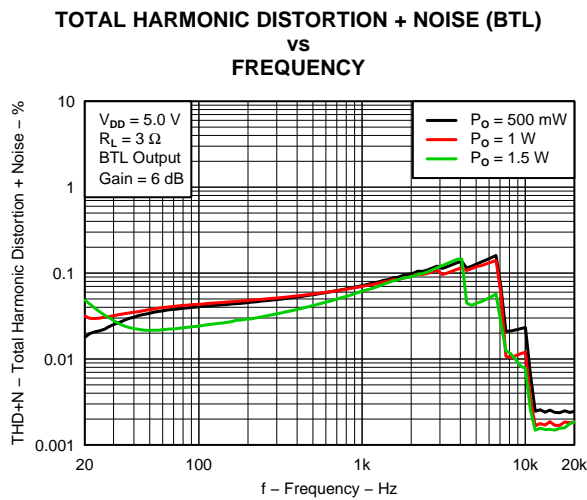


Figure 2.

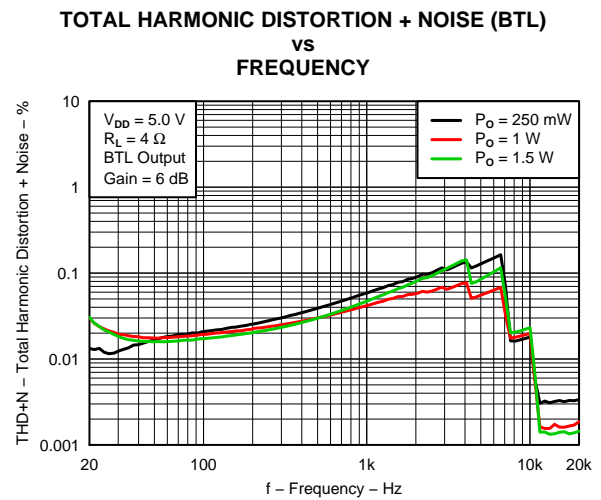


Figure 3.



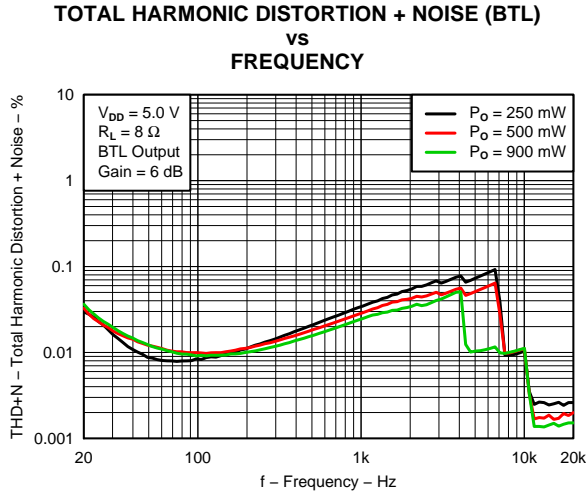


Figure 4.

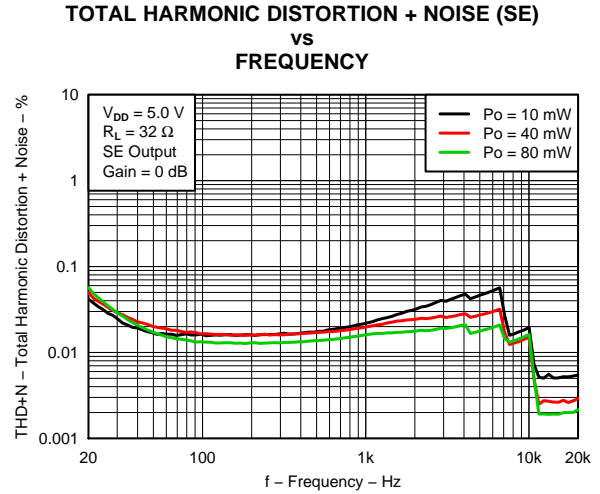


Figure 5.

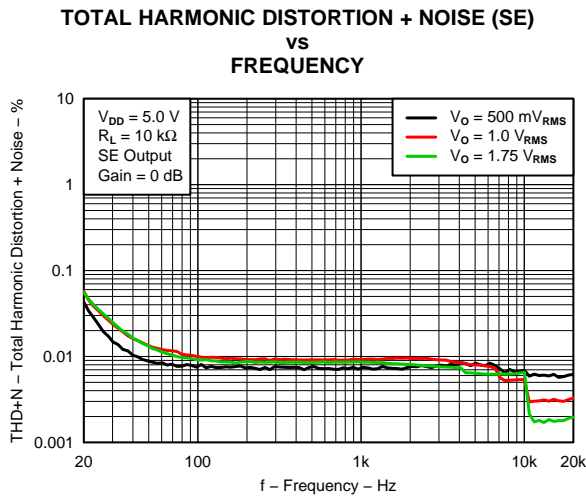


Figure 6.

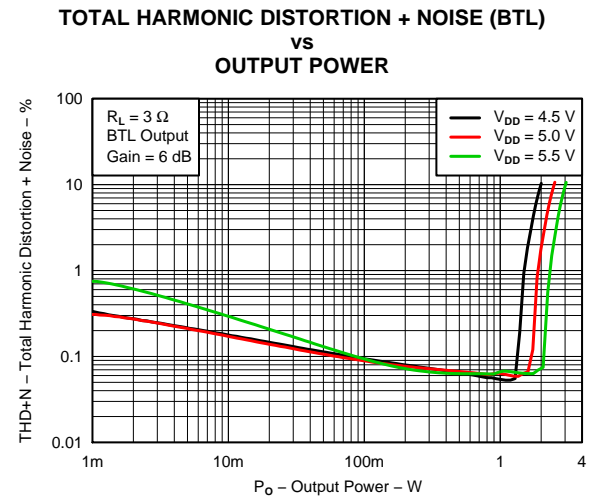


Figure 7.

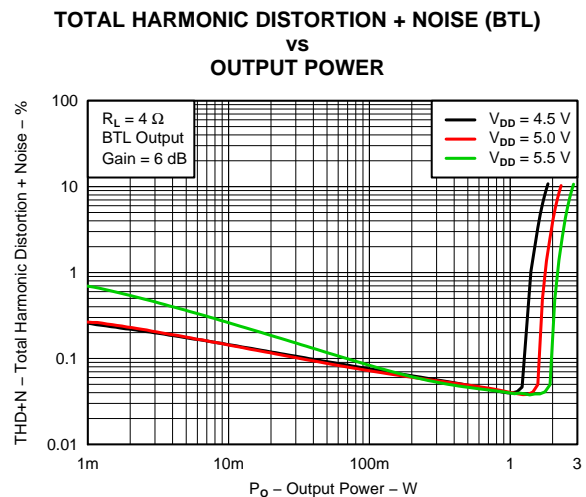


Figure 8.

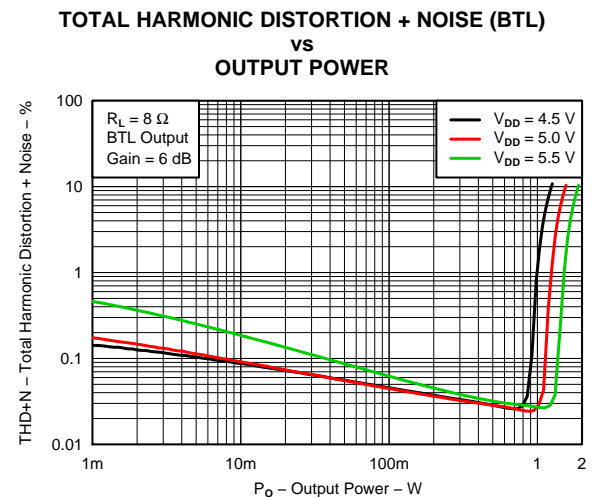


Figure 9.

**TOTAL HARMONIC DISTORTION + NOISE (SE)  
vs  
OUTPUT POWER**

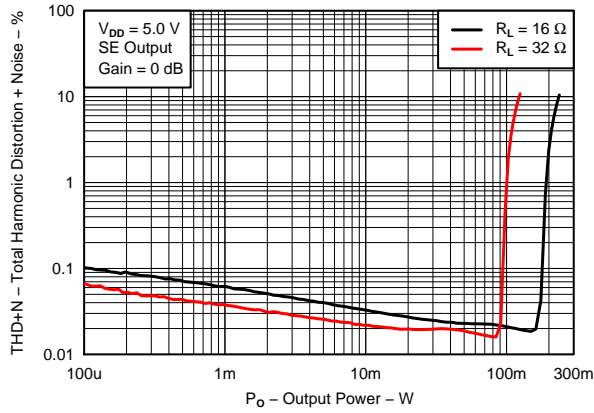


Figure 10.

**TOTAL HARMONIC DISTORTION + NOISE (SE)  
vs  
OUTPUT VOLTAGE**

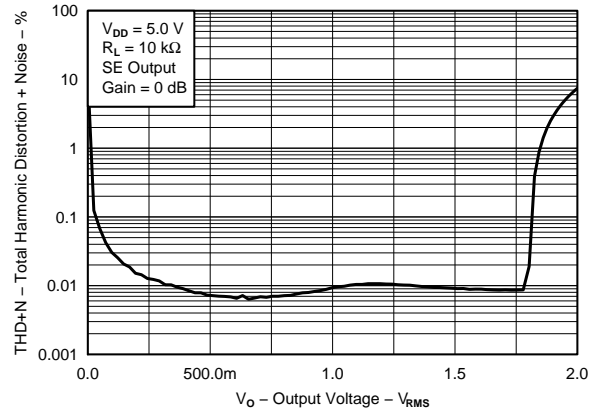


Figure 11.

**TOTAL POWER DISSIPATION (BTL)  
vs  
TOTAL OUTPUT POWER**

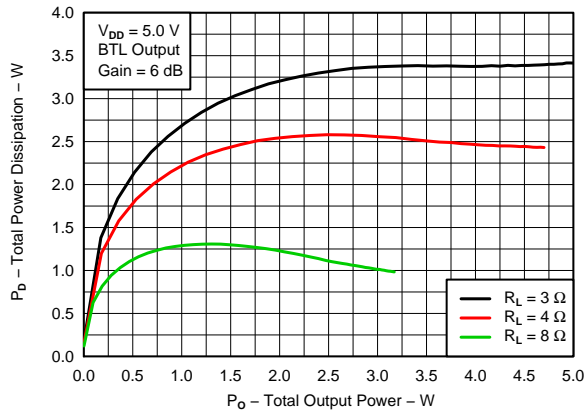


Figure 12.

**TOTAL POWER DISSIPATION (SE)  
vs  
TOTAL OUTPUT POWER**

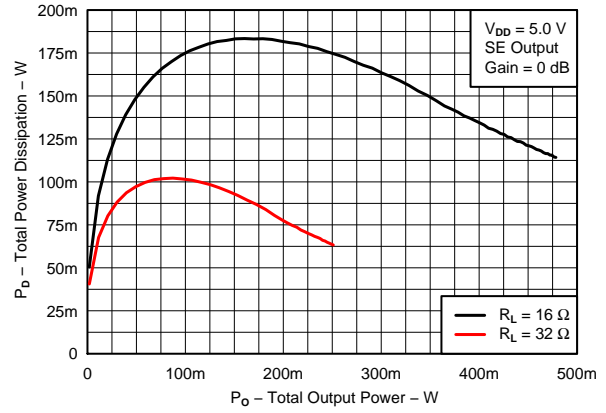


Figure 13.

**CROSSTALK (BTL)  
vs  
FREQUENCY**

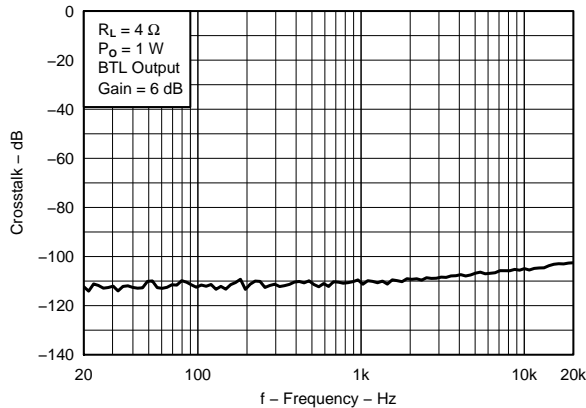


Figure 14.

**CROSSTALK (SE)  
vs  
FREQUENCY**

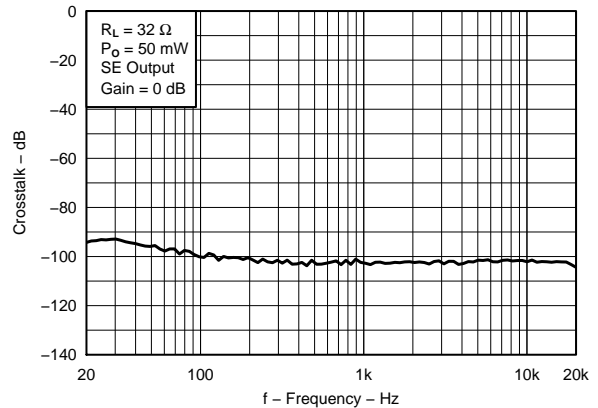


Figure 15.

**POWER SUPPLY REJECTION RATIO (BTL)  
VS  
FREQUENCY**

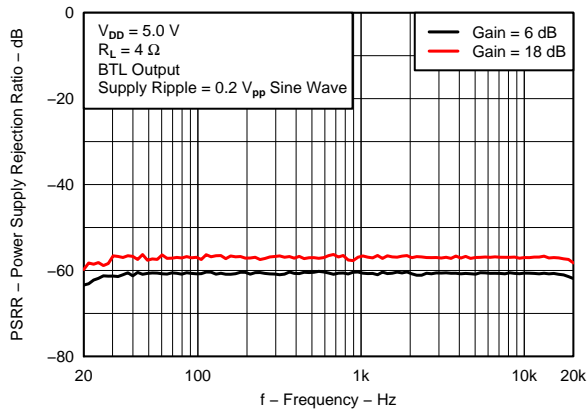


Figure 16.

**POWER SUPPLY REJECTION RATIO (SE)  
VS  
FREQUENCY**

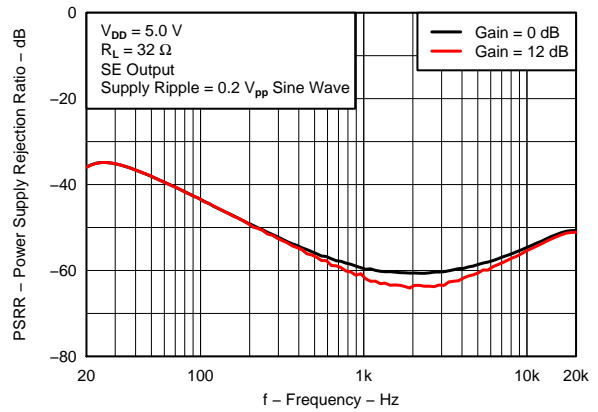


Figure 17.

**SUPPLY CURRENT (BTL)  
VS  
TOTAL OUTPUT POWER**

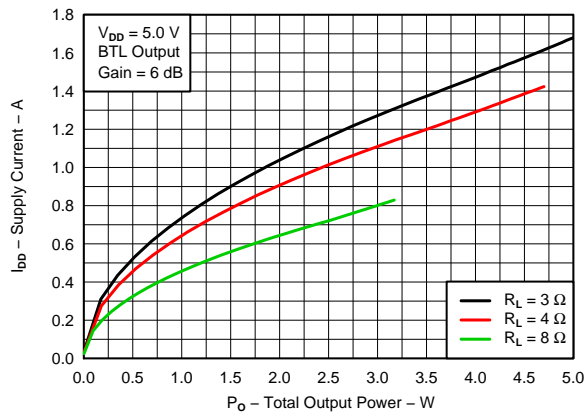


Figure 18.

**SUPPLY CURRENT (SE)  
VS  
TOTAL OUTPUT POWER**

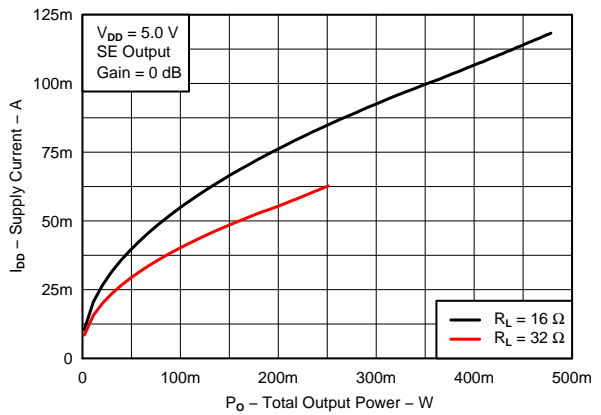


Figure 19.

**INPUT IMPEDANCE  
VS  
GAIN**

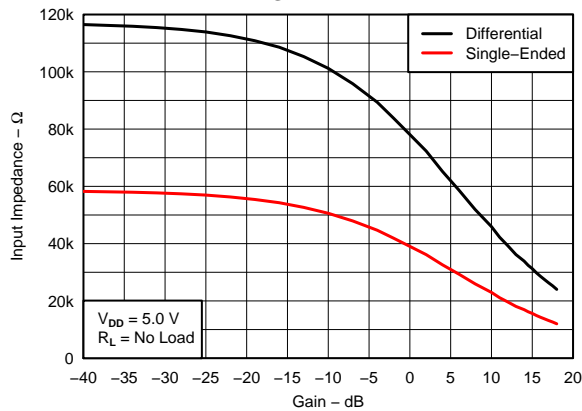
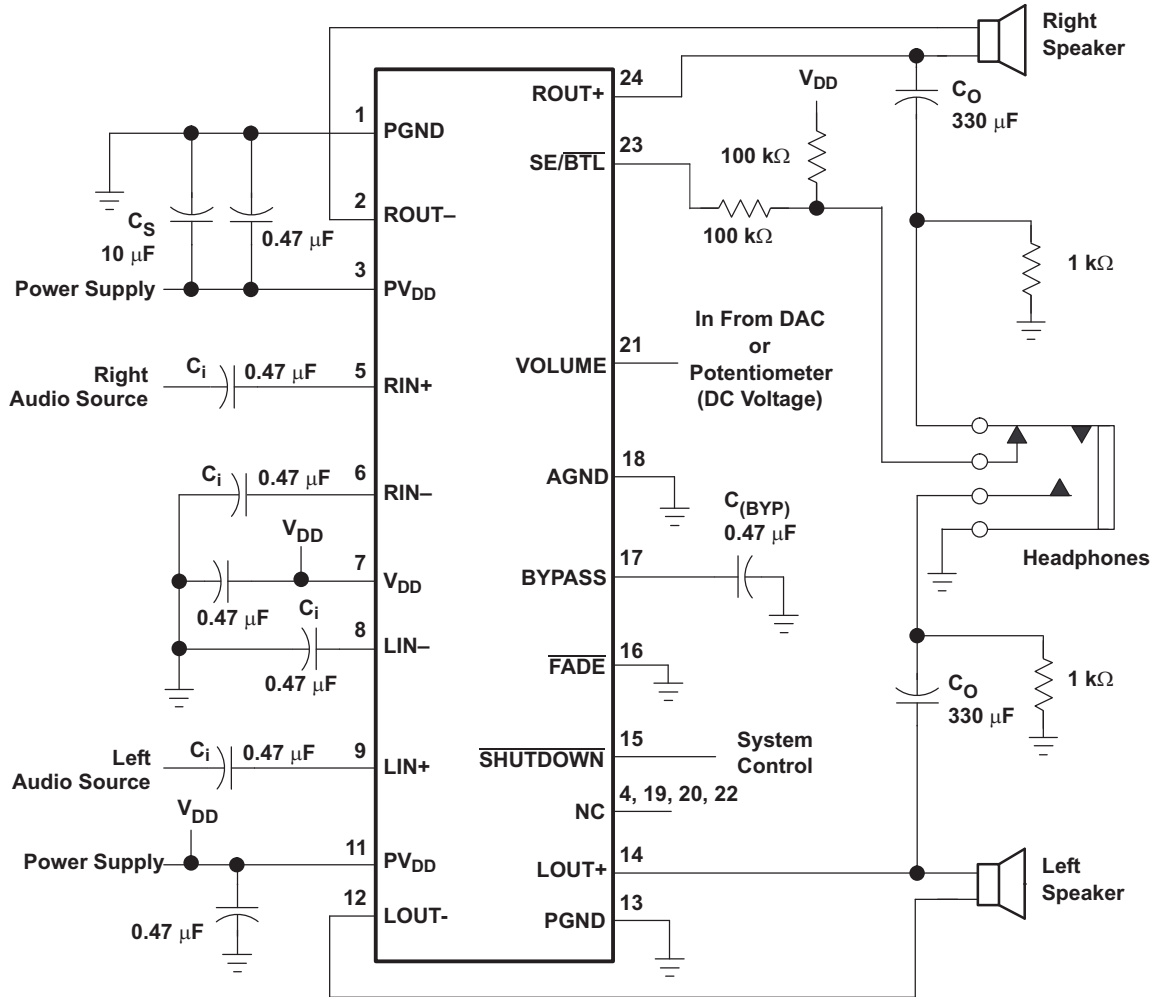


Figure 20.

APPLICATION INFORMATION

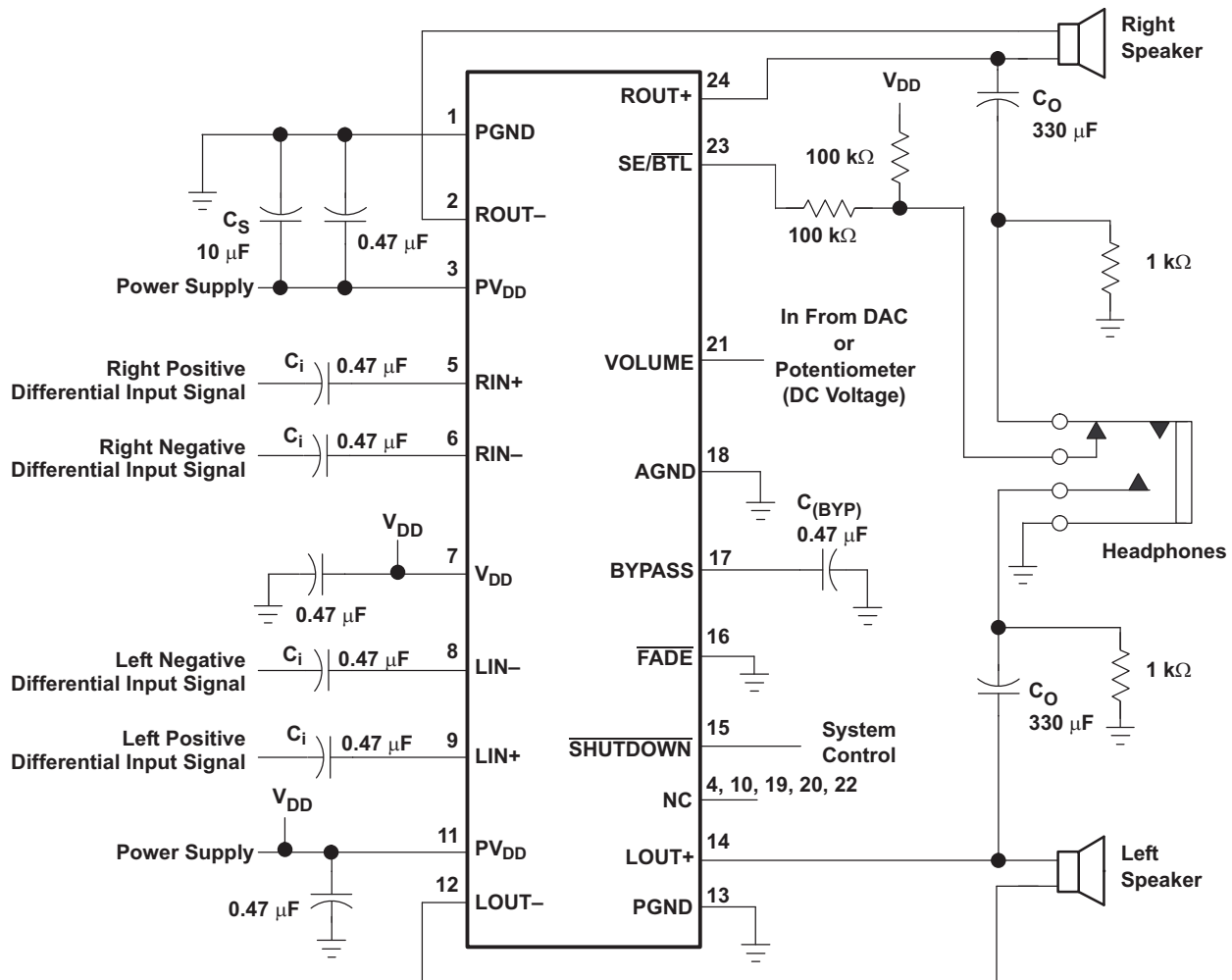
SELECTION OF COMPONENTS

Figure 21 and Figure 22 are schematic diagrams of typical LCD monitor application circuits.



- A. A 0.47-µF ceramic capacitor should be placed as close as possible to the IC. For filtering lower-frequency noise signals, a larger electrolytic capacitor of 10 µF or greater should be placed near the audio power amplifier.

Figure 21. Typical TPA6012A4 Application Circuit Using Single-Ended Inputs

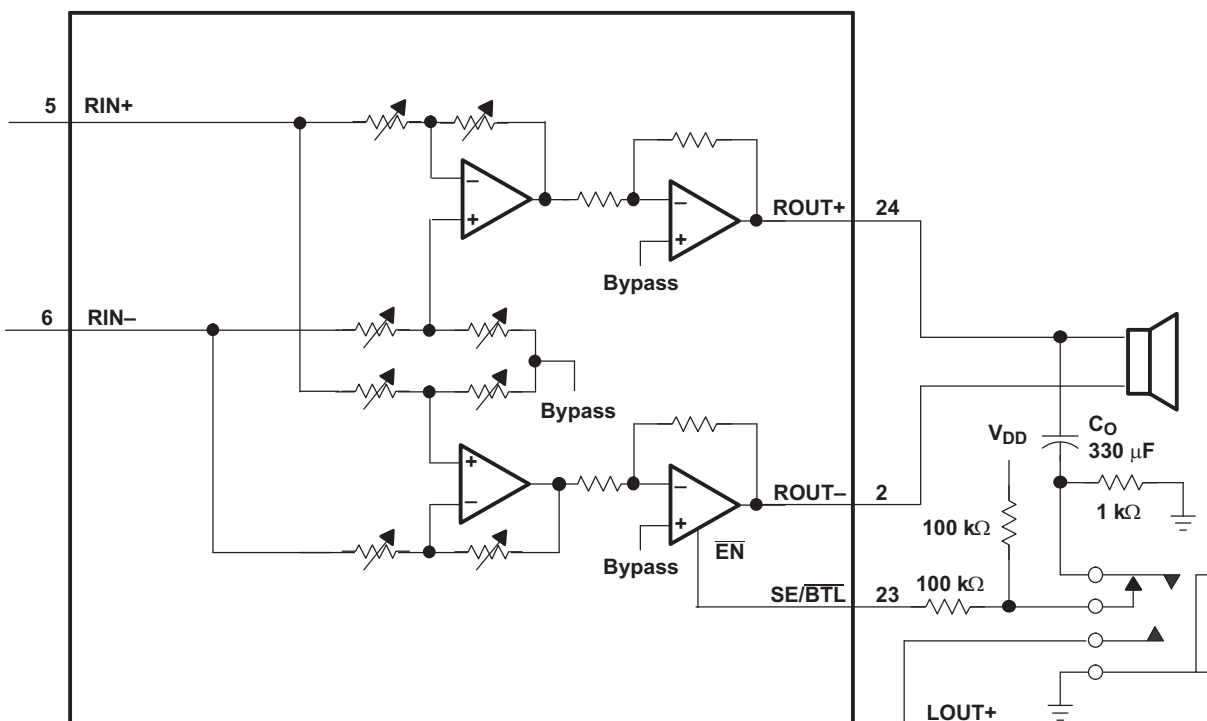


- A. A 0.1- $\mu\text{F}$  ceramic capacitor should be placed as close as possible to the IC. For filtering lower-frequency noise signals, a larger electrolytic capacitor of 10  $\mu\text{F}$  or greater should be placed near the audio power amplifier.

Figure 22. Typical TPA6012A4 Application Circuit Using Differential Inputs

## SE/BTL OPERATION

The ability of the TPA6012A4 to easily switch between BTL and SE modes is one of its most important cost saving features. This feature eliminates the requirement for an additional headphone amplifier in applications where internal stereo speakers are driven in BTL mode but external headphone or speakers must be accommodated. Internal to the TPA6012A4, two separate amplifiers drive OUT+ and OUT-. The SE/BTL input controls the operation of the follower amplifier that drives LOUT- and ROUT-. When SE/BTL is held low, the amplifier is on and the TPA6012A4 is in the BTL mode. When SE/BTL is held high, the OUT- amplifiers are in a high output impedance state, which configures the TPA6012A4 as an SE driver from LOUT+ and ROUT+.  $I_{DD}$  is reduced by approximately one-third in SE mode. Control of the SE/BTL input can be from a logic-level CMOS source or, more typically, from a resistor divider network as shown in Figure 23. The trip level for the SE/BTL input can be found in the *recommended operating conditions* table.


**Figure 23. TPA6012A4 Resistor Divider Network Circuit**

Using a 1/8-in. (3,5 mm) stereo headphone jack, the control switch is closed when no plug is inserted. When closed the 100-kΩ/1-kΩ divider pulls the SE/BTL input low. When a plug is inserted, the 1-kΩ resistor is disconnected and the SE/BTL input is pulled high. When the input goes high, the OUT– amplifier is shut down causing the speaker to mute (open-circuits the speaker). The OUT+ amplifier then drives through the output capacitor,  $C_o$ , into the headphone jack.

## SHUTDOWN MODES

The TPA6012A4 employs a shutdown mode of operation designed to reduce supply current ( $I_{DD}$ ) to the absolute minimum level during periods of nonuse for power conservation. The SHUTDOWN input terminal should be held high during normal operation when the amplifier is in use. Pulling SHUTDOWN low causes the outputs to mute and the amplifier to enter a low-current state,  $I_{DD} = 20 \mu\text{A}$ . SHUTDOWN should never be left unconnected because amplifier operation would be unpredictable.

**Table 3. SE/BTL and Shutdown Functions**

INPUTS <sup>(1)</sup>		AMPLIFIER STATE
SE/BTL	SHUTDOWN	OUTPUT
X	Low	Mute
Low	High	BTL
High	High	SE

(1) Inputs should never be left unconnected.

## FADE OPERATION

For design flexibility, a fade mode is provided to slowly ramp up the amplifier gain when coming out of shutdown mode and conversely ramp the gain down when going into shutdown. This mode provides a smooth transition between the active and shutdown states and virtually eliminates any pops or clicks on the outputs.

When the  $\overline{\text{FADE}}$  input is a logic low, the device is placed into fade-on mode. A logic high on this pin places the amplifier in the fade-off mode. The voltage trip levels for a logic low ( $V_{IL}$ ) or logic high ( $V_{IH}$ ) can be found in the *recommended operating conditions* table.

When a logic low is applied to the  $\overline{\text{FADE}}$  pin and a logic low is then applied on the  $\overline{\text{SHUTDOWN}}$  pin, the channel gain steps down from gain step to gain step at a rate of two clock cycles per step. With a nominal internal clock frequency of 58 Hz, this equates to 34 ms (1/29 Hz) per step. The gain steps down until the lowest gain step is reached. The time it takes to reach this step depends on the gain setting prior to placing the device in shutdown. For example, if the amplifier is in the highest gain mode of 18 dB, the time it takes to ramp down the channel gain is 1.05 seconds. This number is calculated by taking the number of steps to reach the lowest gain from the highest gain, or 31 steps, and multiplying by the time per step, or 34 ms.

After the channel gain is stepped down to the lowest gain, the amplifier begins discharging the bypass capacitor from the nominal voltage of  $V_{DD}/2$  to ground. This time is dependent on the value of the bypass capacitor. For a 0.47- $\mu\text{F}$  capacitor that is used in the application diagram in [Figure 21](#), the time is approximately 500 ms. This time scales linearly with the value of bypass capacitor. For example, if a 1- $\mu\text{F}$  capacitor is used for bypass, the time period to discharge the capacitor to ground is twice that of the 0.47- $\mu\text{F}$  capacitor, or 1 second. Figure 22 below is a waveform captured at the output during the shutdown sequence when the part is in fade-on mode. The gain is set to the highest level and the output is at  $V_{DD}$  when the amplifier is shut down.

When a logic high is placed on the  $\overline{\text{SHUTDOWN}}$  pin and the  $\overline{\text{FADE}}$  pin is still held low, the device begins the start-up process. The bypass capacitor will begin charging. Once the bypass voltage reaches the final value of  $V_{DD}/2$ , the gain increases from the lowest gain level to the gain level set by the dc voltage applied to the VOLUME pin.

In the fade-off mode, the output of the amplifier immediately drops to  $V_{DD}/2$  and the bypass capacitor begins a smooth discharge to ground. When shutdown is released, the bypass capacitor charges up to  $V_{DD}/2$  and the channel gain returns immediately to the value on the VOLUME terminal. Figure 23 below is a waveform captured at the output during the shutdown sequence when the part is in the fade-off mode. The gain is set to the highest level, and the output is at  $V_{DD}$  when the amplifier is shut down.

The power-up sequence is different from the shutdown sequence and the voltage on the  $\overline{\text{FADE}}$  pin does not change the power-up sequence. Upon a power-up condition, the TPA6012A4 begins in the lowest gain setting and steps up every 2 clock cycles until the final value is reached as determined by the dc voltage applied to the VOLUME pin.

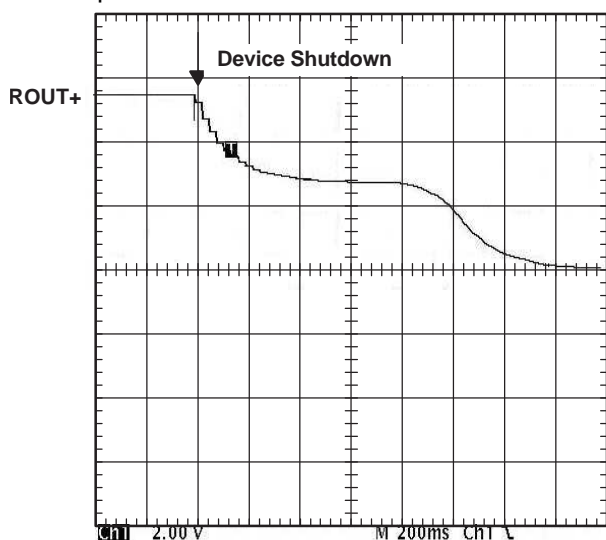


Figure 24. Shutdown Sequence in the Fade-on Mode

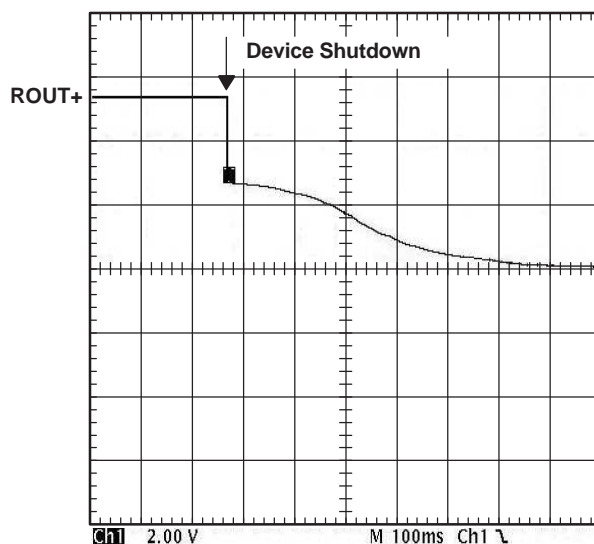


Figure 25. Shutdown Sequence in the Fade-off Mode

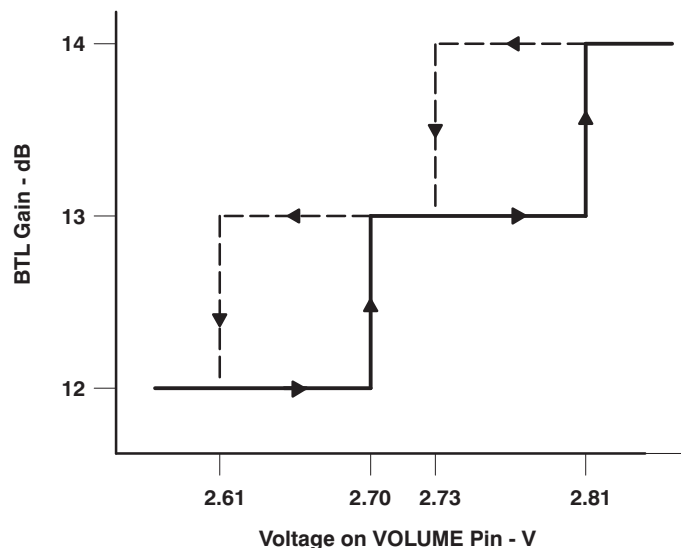
## VOLUME OPERATION

The VOLUME pin controls the BTL volume when driving speakers, and the SE volume when driving headphones. This pin is controlled with a dc voltage, which should not exceed  $V_{DD}$ .

The output volume increases in discrete steps as the dc voltage increases and decreases in discrete steps as the dc voltage decreases. There are a total of 32 discrete gain steps of the amplifier and range from  $-85$  dB to  $18$  dB for BTL operation and  $-85$  dB to  $12$  dB for SE operation.

[Table 1](#) and [Table 2](#) show a range of voltages for each gain step. There is a gap in the voltage between each gain step. This gap represents the hysteresis about each trip point in the internal comparator. The hysteresis ensures that the gain control is monotonic and does not oscillate from one gain step to another. If a potentiometer is used to adjust the voltage on the control terminals, the gain increases as the potentiometer is turned in one direction and decreases as it is turned back the other direction. The trip point, where the gain actually changes, is different depending on whether the voltage is increased or decreased as a result of the hysteresis about each trip point. The gaps in [Table 1](#) and [Table 2](#) can also be thought of as indeterminate states where the gain could be in the next higher gain step or the lower gain step depending on the direction the voltage is changing. If using a DAC to control the volume, set the voltage in the middle of each range to ensure that the desired gain is achieved.

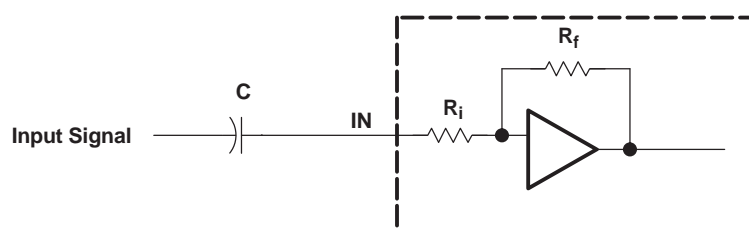
A pictorial representation of the typical volume control can be found in [Figure 26](#). The graph focuses on three gain steps with the trip points defined in [Table 1](#) for BTL gain. The dotted line represents the hysteresis about each gain step.



**Figure 26. DC Volume Control Operation**

## INPUT RESISTANCE

Each gain setting is achieved by varying the input resistance of the amplifier, which can range from its smallest value to over six times that value. As a result, if a single capacitor is used in the input high-pass filter, the  $-3$  dB or cutoff frequency also changes by over six times.



**Figure 27. Resistor on Input for Cut-Off Frequency**

The input resistance at each gain setting is given in [Figure 20](#).

The  $-3$ -dB frequency can be calculated using [Equation 1](#).

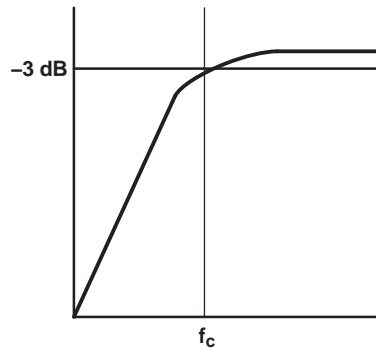


$$f_{-3\text{ dB}} = \frac{1}{2\pi CR_i} \quad (1)$$

### INPUT CAPACITOR, $C_i$

In the typical application an input capacitor  $C_i$  is required to allow the amplifier to bias the input signal to the proper dc level for optimum operation. In this case,  $C_i$  and the input impedance of the amplifier  $R_i$  form a high-pass filter with the corner frequency determined in [Equation 2](#).

$$f_{c(\text{highpass})} = \frac{1}{2\pi R_i C_i} \quad (2)$$



The value of  $C_i$  is important to consider as it directly affects the bass (low frequency) performance of the circuit. Consider the example where  $R_i$  is 70 k $\Omega$  and the specification calls for a flat-bass response down to 40 Hz. [Equation 2](#) is reconfigured as [Equation 3](#).

$$C_i = \frac{1}{2\pi R_i f_c} \quad (3)$$

In this example,  $C_i$  is 56.8 nF, so one would likely choose a value in the range of 56 nF to 1  $\mu$ F. A further consideration for this capacitor is the leakage path from the input source through the input network  $C_i$  and the feedback network to the load. This leakage current creates a dc offset voltage at the input to the amplifier that reduces useful headroom, especially in high gain applications. For this reason, a low-leakage tantalum or ceramic capacitor is the best choice. When polarized capacitors are used, the positive side of the capacitor should face the amplifier input in most applications as the dc level there is held at  $V_{DD}/2$ , which is likely higher than the source dc level. Note that it is important to confirm the capacitor polarity in the application.

### POWER SUPPLY DECOUPLING, $C_{(S)}$

The TPA6012A4 is a high-performance CMOS audio amplifier that requires adequate power supply decoupling to ensure the output total harmonic distortion (THD) is as low as possible. Power supply decoupling also prevents oscillations for long lead lengths between the amplifier and the speaker. The optimum decoupling is achieved by using two capacitors of different types that target different types of noise on the power supply leads. For higher frequency transients, spikes, or digital hash on the line, a good low equivalent-series-resistance (ESR) ceramic capacitor, typically 0.1  $\mu$ F placed as close as possible to the device  $V_{DD}$  lead, works best. For filtering lower-frequency noise signals, a larger aluminum electrolytic capacitor of 10  $\mu$ F or greater placed near the audio power amplifier is recommended.

### MIDRAIL BYPASS CAPACITOR, $C_{(BYP)}$

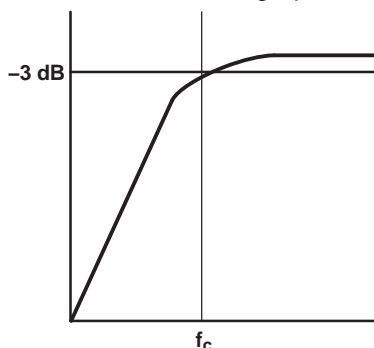
The midrail bypass capacitor  $C_{(BYP)}$  is the most critical capacitor and serves several important functions. During start-up or recovery from shutdown mode,  $C_{(BYP)}$  determines the rate at which the amplifier starts up. The second function is to reduce noise produced by the power supply caused by coupling into the output drive signal. This noise is from the midrail generation circuit internal to the amplifier, which appears as degraded PSRR and THD+N.

Bypass capacitor  $C_{(BYP)}$  values of 0.47- $\mu$ F to 1- $\mu$ F ceramic or tantalum low-ESR capacitors are recommended for the best THD and noise performance. For the best pop performance, choose a value for  $C_{(BYP)}$  that is equal to or greater than the value chosen for  $C_i$ . This ensures that the input capacitors are charged up to the midrail voltage before  $C_{(BYP)}$  is fully charged to the midrail voltage.

## OUTPUT COUPLING CAPACITOR, $C_{(C)}$

In the typical single-supply SE configuration, an output coupling capacitor  $C_{(C)}$  is required to block the dc bias at the output of the amplifier, thus preventing dc currents in the load. As with the input coupling capacitor, the output coupling capacitor and impedance of the load form a high-pass filter governed by [Equation 4](#).

$$f_{c(\text{high})} = \frac{1}{2\pi R_L C_{(C)}}$$



(4)

The main disadvantage, from a performance standpoint, is the load impedances are typically small, which drives the low-frequency corner higher, degrading the bass response. Large values of  $C_{(C)}$  are required to pass low frequencies into the load. Consider the example where a  $C_{(C)}$  of 330  $\mu\text{F}$  is chosen and loads vary from 4  $\Omega$ , 8  $\Omega$ , 32  $\Omega$ , 10 k $\Omega$ , and 47 k $\Omega$ . [Table 4](#) summarizes the frequency response characteristics of each configuration.

**Table 4. Common Load Impedances vs Low Frequency Output Characteristics in SE Mode**

$R_L$	$C_{(C)}$	LOWEST FREQUENCY
4 $\Omega$	330 $\mu\text{F}$	120 Hz
8 $\Omega$	330 $\mu\text{F}$	60 Hz
32 $\Omega$	330 $\mu\text{F}$	15 Hz
10,000 $\Omega$	330 $\mu\text{F}$	0.05 Hz
47,000 $\Omega$	330 $\mu\text{F}$	0.01 Hz

As [Table 4](#) indicates, most of the bass response is attenuated into a 4- $\Omega$  load, an 8- $\Omega$  load is adequate, headphone response is good, and drive into line level inputs (a home stereo for example) is exceptional.

## USING LOW-ESR CAPACITORS

Low-ESR capacitors are recommended throughout this applications section. A real (as opposed to ideal) capacitor can be modeled simply as a resistor in series with an ideal capacitor. The voltage drop across this resistor minimizes the beneficial effects of the capacitor in the circuit. The lower the equivalent value of this resistance, the more the real capacitor behaves like an ideal capacitor.

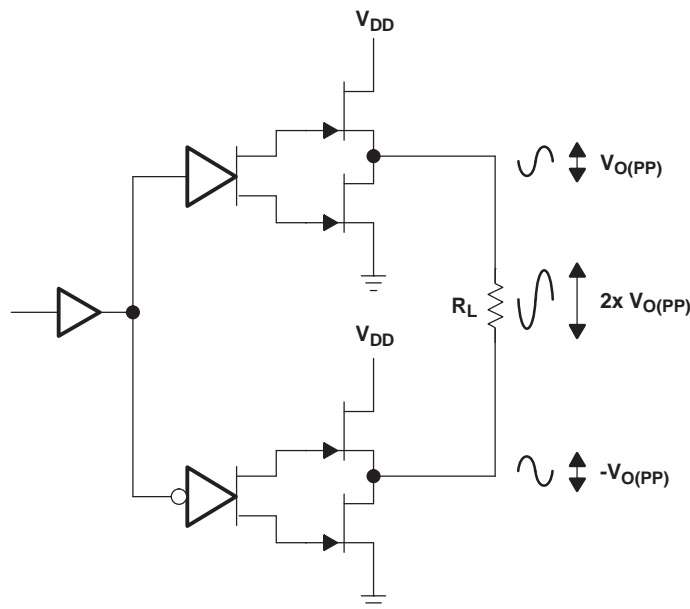
## BRIDGE-TIED LOAD vs SINGLE-ENDED LOAD

[Figure 28](#) shows a Class-AB audio power amplifier (APA) in a BTL configuration. The TPA6012A4 BTL amplifier consists of two Class-AB amplifiers driving both ends of the load. There are several potential benefits to this differential drive configuration, but, initially consider power to the load. The differential drive to the speaker means that as one side is slewing up, the other side is slewing down, and vice versa. This in effect doubles the voltage swing on the load as compared to a ground referenced load. Plugging  $2 \times V_{O(\text{PP})}$  into the power equation, where voltage is squared, yields 4x the output power from the same supply rail and load impedance (see [Equation 5](#)).

$$V_{(rms)} = \frac{V_{O(PP)}}{2\sqrt{2}}$$

$$Power = \frac{V_{(rms)}^2}{R_L}$$

(5)



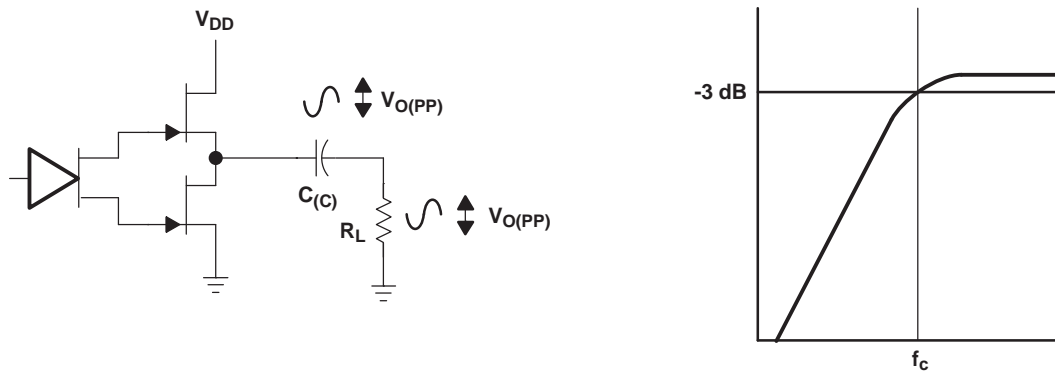
**Figure 28. Bridge-Tied Load Configuration**

In a typical computer sound channel operating at 5 V, bridging raises the power into an 8-Ω speaker from a singled-ended (SE, ground reference) limit of 250 mW to 1 W. In sound power that is a 6-dB improvement, which is loudness that can be heard. In addition to increased power there are frequency response concerns. Consider the single-supply SE configuration shown in [Figure 29](#). A coupling capacitor is required to block the dc offset voltage from reaching the load. These capacitors can be quite large (approximately 33 μF to 1000 μF), so they tend to be expensive, heavy, occupy valuable PCB area, and have the additional drawback of limiting low-frequency performance of the system. This frequency limiting effect is due to the high-pass filter network created with the speaker impedance and the coupling capacitance and is calculated with [Equation 6](#).

$$f_{(c)} = \frac{1}{2\pi R_L C_C}$$

(6)

For example, a 68-μF capacitor with an 8-Ω speaker would attenuate low frequencies below 293 Hz. The BTL configuration cancels the dc offsets, which eliminates the need for the blocking capacitors. Low-frequency performance is then limited only by the input network and speaker response. Cost and PCB space are also minimized by eliminating the bulky coupling capacitor.



**Figure 29. Single-Ended Configuration and Frequency Response**

Increasing power to the load does carry a penalty of increased internal power dissipation. The increased dissipation is understandable considering that the BTL configuration produces 4x the output power of the SE configuration. Internal dissipation versus output power is discussed further in the *crest factor and thermal considerations* section.

### SINGLE-ENDED OPERATION

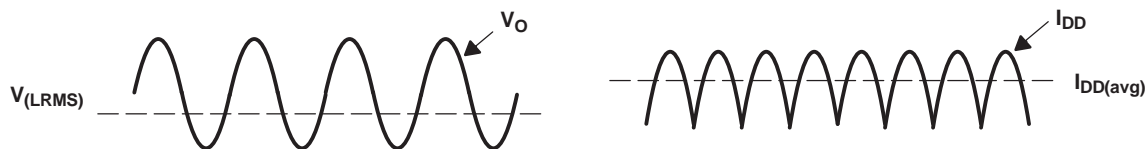
In SE mode (see [Figure 29](#)), the load is driven from the primary amplifier output for each channel (OUT+).

The amplifier switches single-ended operation when the SE/BTL terminal is held high. This puts the negative outputs in a high-impedance state, and effectively reduces the amplifier's gain by 6 dB.

### BTL AMPLIFIER EFFICIENCY

Class-AB amplifiers are inefficient. The primary cause of these inefficiencies is voltage drop across the output stage transistors. There are two components of the internal voltage drop. One is the headroom or dc voltage drop that varies inversely to output power. The second component is due to the sinewave nature of the output. The total voltage drop can be calculated by subtracting the RMS value of the output voltage from  $V_{DD}$ . The internal voltage drop multiplied by the RMS value of the supply current ( $I_{DDrms}$ ) determines the internal power dissipation of the amplifier.

An easy-to-use equation to calculate efficiency starts out as being equal to the ratio of power from the power supply to the power delivered to the load. To accurately calculate the RMS and average values of power in the load and in the amplifier, the current and voltage waveform shapes must first be understood (see [Figure 30](#)).



**Figure 30. Voltage and Current Waveforms for BTL Amplifiers**

Although the voltages and currents for SE and BTL are sinusoidal in the load, currents from the supply are very different between SE and BTL configurations. In an SE application the current waveform is a half-wave rectified shape, whereas in BTL it is a full-wave rectified waveform. This means RMS conversion factors are different. Keep in mind that for most of the waveform both the push and pull transistors are not on at the same time, which supports the fact that each amplifier in the BTL device only draws current from the supply for half the waveform. The following equations are the basis for calculating amplifier efficiency.

$$\text{Efficiency of a BTL amplifier} = \frac{P_L}{P_{\text{SUP}}}$$

Where:

$$P_L = \frac{V_{L\text{rms}}^2}{R_L}, \text{ and } V_{L\text{RMS}} = \frac{V_P}{\sqrt{2}}, \text{ therefore, } P_L = \frac{V_P^2}{2R_L}$$

$$\text{and } P_{\text{SUP}} = V_{\text{DD}} I_{\text{DDavg}} \quad \text{and} \quad I_{\text{DDavg}} = \frac{1}{\pi} \int_0^\pi \frac{V_P}{R_L} \sin(t) dt = \frac{1}{\pi} \times \frac{V_P}{R_L} [\cos(t)]_0^\pi = \frac{2V_P}{\pi R_L}$$

Therefore,

$$P_{\text{SUP}} = \frac{2 V_{\text{DD}} V_P}{\pi R_L} \tag{7}$$

substituting  $P_L$  and  $P_{\text{SUP}}$  into Equation 7,

$$\text{Efficiency of a BTL amplifier} = \frac{\frac{V_P^2}{2R_L}}{\frac{2 V_{\text{DD}} V_P}{\pi R_L}} = \frac{\pi V_P}{4 V_{\text{DD}}}$$

Where:

$$V_P = \sqrt{2 P_L R_L}$$

Therefore,

$$\eta_{\text{BTL}} = \frac{\pi \sqrt{2 P_L R_L}}{4 V_{\text{DD}}}$$

$P_L$  = Power delivered to load

$P_{\text{SUP}}$  = Power drawn from power supply

$V_{L\text{RMS}}$  = RMS voltage on BTL load

$R_L$  = Load resistance

$V_P$  = Peak voltage on BTL load

$I_{\text{DDavg}}$  = Average current drawn from the power supply

$V_{\text{DD}}$  = Power supply voltage

$\eta_{\text{BTL}}$  = Efficiency of a BTL amplifier

(8)

Table 5 employs Equation 8 to calculate efficiencies for four different output power levels. Note that the efficiency of the amplifier is quite low for lower power levels and rises sharply as power to the load is increased resulting in a nearly flat internal power dissipation over the normal operating range. Note that the internal dissipation at full output power is less than in the half power range. Calculating the efficiency for a specific system is the key to proper power supply design. For a stereo 1-W audio system with 8-Ω loads and a 5-V supply, we get an efficiency of 0.628. Total output power is 2-W. Thus the maximum draw on the power supply is almost 3.25 W.

**Table 5. Efficiency vs Output Power in 5-V, 8-Ω BTL Systems**

OUTPUT POWER (W)	EFFICIENCY (%)	PEAK VOLTAGE (V)	INTERNAL DISSIPATION (W)
0.25	31.4	2.00	0.55
0.50	44.4	2.83	0.62
1.00	62.8	4.00	0.59
1.25	70.2	4.47 <sup>(1)</sup>	0.53

(1) High peak voltages cause the THD to increase.

A final point to remember about Class-AB amplifiers (either SE or BTL) is how to manipulate the terms in the efficiency equation to utmost advantage when possible. Note that in equation 8,  $V_{DD}$  is in the denominator. This indicates that as  $V_{DD}$  goes down, efficiency goes up.

## CREST FACTOR AND THERMAL CONSIDERATIONS

Class-AB power amplifiers dissipate a significant amount of heat in the package under normal operating conditions. A typical music CD requires 12 dB to 15 dB of dynamic range, or headroom above the average power output, to pass the loudest portions of the signal without distortion. In other words, music typically has a crest factor between 12 dB and 15 dB. When determining the optimal ambient operating temperature, the internal dissipated power at the average output power level must be used. From the data sheet graph (Figure 5.), one can see that when the TPA6012A4 is operating from a 5-V supply into a 4- $\Omega$  speaker at 1% THD, that output power is 1.5-W so maximum instantaneous output power is 3-W. Use equation 9 to convert watts to dB.

$$P_{dB} = 10 \text{Log} \frac{P_W}{P_{ref}} = 10 \text{Log} \frac{3 \text{ W}}{1 \text{ W}} = 5 \text{ dB} \quad (9)$$

Subtracting the headroom restriction to obtain the average listening level without distortion yields:

5 dB - 15 dB = -10 dB	(15-dB crest factor)
5 dB - 12 dB = -7 dB	(12-dB crest factor)
5 dB - 9 dB = -4 dB	(9-dB crest factor)
5 dB - 6 dB = -1 dB	(6-dB crest factor)
5 dB - 3 dB = 2 dB	(3-dB crest factor)

To convert dB back into watts use equation 10.

$$P_W = 10^{\frac{P_{dB}}{10}} \times P_{ref} \quad (10)$$

= 48 mW	(18-dB crest factor)
= 95 mW	(15-dB crest factor)
= 190 mW	(12-dB crest factor)
= 380 mW	(9-dB crest factor)
= 750 mW	(6-dB crest factor)
= 1500 mW	(3-dB crest factor)

This is valuable information to consider when attempting to estimate the heat dissipation requirements for the amplifier system. Comparing the worst case, which is 1.5 W of continuous power output with a 3-dB crest factor, against 12-dB and 15-dB applications significantly affects maximum ambient temperature ratings for the system. Using the power dissipation curves for a 5-V, 4- $\Omega$  system, the internal dissipation in the TPA6012A4 and maximum ambient temperatures is shown in [Table 6](#).

**Table 6. TPA6012A4 Power Rating, 5-V, 4-Ω Stereo**

PEAK OUTPUT POWER (W)	AVERAGE OUTPUT POWER	POWER DISSIPATION (W/Channel)	MAXIMUM AMBIENT TEMPERATURE
3	1500 mW (3 dB)	1.26	37°C
3	750 mW (6 dB)	1.20	42°C
3	380 mW (9 dB)	1.00	59°C
3	190 mW (12 dB)	0.79	79°C
3	95 mW (15 dB)	0.60	96°C <sup>(1)</sup>
3	48 mW (18 dB)	0.44	110°C <sup>(1)</sup>

(1) Package limited to 85°C ambient.

**Table 7. TPA6012A4 Power Rating, 5-V, 8-Ω Stereo**

PEAK OUTPUT POWER (W)	AVERAGE OUTPUT POWER	POWER DISSIPATION (W/Channel)	MAXIMUM AMBIENT TEMPERATURE
2.2	1100 mW (3-dB crest factor)	0.57	99°C <sup>(1)</sup>
2.2	876 mW (4-dB crest factor)	0.61	95°C <sup>(1)</sup>
2.2	440 mW (7-dB crest factor)	0.62	95°C <sup>(1)</sup>
2.2	220 mW (10-dB crest factor)	0.53	103°C <sup>(1)</sup>

(1) Package limited to 85°C ambient.

The maximum dissipated power ( $P_{D(max)}$ ) is reached at a much lower output power level for an 8-Ω load than for a 4-Ω load. As a result, this simple formula for calculating  $P_{D(max)}$  may be used for an 8-Ω application.

$$P_{D(max)} = \frac{2V_{DD}^2}{\pi^2 R_L} \quad (11)$$

However, in the case of a 4-Ω load, the  $P_{D(max)}$  occurs at a point well above the normal operating power level. The amplifier may therefore be operated at a higher ambient temperature than required by the  $P_{D(max)}$  formula for a 4-Ω load.

The maximum ambient temperature depends on the heat-sinking ability of the PCB system. The derating factor for the N package with an external heatsink is shown in the *dissipation rating table*. Use [Equation 12](#) to convert this to  $\theta_{JA}$ .

$$\theta_{JA} = \frac{1}{\text{Derating Factor}} = \frac{1}{0.0222} = 45^\circ\text{C/W} \quad (12)$$

To calculate maximum ambient temperatures, first consider that the numbers from the dissipation graphs are per channel, so the dissipated power needs to be doubled for two channel operation. Given  $\theta_{JA}$ , the maximum allowable junction temperature, and the total internal dissipation, the maximum ambient temperature can be calculated using [Equation 13](#). The maximum recommended junction temperature for the TPA6012A4 is 150°C. The internal dissipation figures are taken from the Power Dissipation vs Output Power graphs.

$$\begin{aligned} T_A \text{ Max} &= T_J \text{ Max} - \theta_{JA} P_D \\ &= 150 - 45 (0.6 \times 2) = 96^\circ\text{C} (15\text{-dB crest factor}) \end{aligned} \quad (13)$$

#### NOTE

Internal dissipation of 0.6 W is estimated for a 2-W system with 15-dB crest factor per channel.

[Table 6](#) and [Table 7](#) show that some applications require no airflow to keep junction temperatures in the specified range. The TPA6012A4 is designed with thermal protection that turns the device off when the junction temperature surpasses 150°C to prevent damage to the IC. [Table 6](#) and [Table 7](#) were calculated for maximum listening volume without distortion. When the output level is reduced the numbers in the table change significantly. Also, using 8-Ω speakers increases the thermal performance by increasing amplifier efficiency.

**PACKAGING INFORMATION**

Orderable Device	Status <sup>(1)</sup>	Package Type	Package Drawing	Pins	Package Qty	Eco Plan <sup>(2)</sup>	Lead/Ball Finish	MSL Peak Temp <sup>(3)</sup>
TPA6012A4PWP	ACTIVE	HTSSOP	PWP	24	60	Green (RoHS & no Sb/Br)	CU NIPDAU	Level-2-260C-1 YEAR
TPA6012A4PWPR	ACTIVE	HTSSOP	PWP	24	2000	Green (RoHS & no Sb/Br)	CU NIPDAU	Level-2-260C-1 YEAR

<sup>(1)</sup> The marketing status values are defined as follows:

**ACTIVE:** Product device recommended for new designs.

**LIFEBUY:** TI has announced that the device will be discontinued, and a lifetime-buy period is in effect.

**NRND:** Not recommended for new designs. Device is in production to support existing customers, but TI does not recommend using this part in a new design.

**PREVIEW:** Device has been announced but is not in production. Samples may or may not be available.

**OBsolete:** TI has discontinued the production of the device.

<sup>(2)</sup> Eco Plan - The planned eco-friendly classification: Pb-Free (RoHS), Pb-Free (RoHS Exempt), or Green (RoHS & no Sb/Br) - please check <http://www.ti.com/productcontent> for the latest availability information and additional product content details.

**TBD:** The Pb-Free/Green conversion plan has not been defined.

**Pb-Free (RoHS):** TI's terms "Lead-Free" or "Pb-Free" mean semiconductor products that are compatible with the current RoHS requirements for all 6 substances, including the requirement that lead not exceed 0.1% by weight in homogeneous materials. Where designed to be soldered at high temperatures, TI Pb-Free products are suitable for use in specified lead-free processes.

**Pb-Free (RoHS Exempt):** This component has a RoHS exemption for either 1) lead-based flip-chip solder bumps used between the die and package, or 2) lead-based die adhesive used between the die and leadframe. The component is otherwise considered Pb-Free (RoHS compatible) as defined above.

**Green (RoHS & no Sb/Br):** TI defines "Green" to mean Pb-Free (RoHS compatible), and free of Bromine (Br) and Antimony (Sb) based flame retardants (Br or Sb do not exceed 0.1% by weight in homogeneous material)

<sup>(3)</sup> MSL, Peak Temp. -- The Moisture Sensitivity Level rating according to the JEDEC industry standard classifications, and peak solder temperature.

**Important Information and Disclaimer:**The information provided on this page represents TI's knowledge and belief as of the date that it is provided. TI bases its knowledge and belief on information provided by third parties, and makes no representation or warranty as to the accuracy of such information. Efforts are underway to better integrate information from third parties. TI has taken and continues to take reasonable steps to provide representative and accurate information but may not have conducted destructive testing or chemical analysis on incoming materials and chemicals. TI and TI suppliers consider certain information to be proprietary, and thus CAS numbers and other limited information may not be available for release.

In no event shall TI's liability arising out of such information exceed the total purchase price of the TI part(s) at issue in this document sold by TI to Customer on an annual basis.



**TAPE AND REEL INFORMATION**
**REEL DIMENSIONS**

**TAPE DIMENSIONS**


A0	Dimension designed to accommodate the component width
B0	Dimension designed to accommodate the component length
K0	Dimension designed to accommodate the component thickness
W	Overall width of the carrier tape
P1	Pitch between successive cavity centers

**TAPE AND REEL INFORMATION**

\*All dimensions are nominal

Device	Package Type	Package Drawing	Pins	SPQ	Reel Diameter (mm)	Reel Width W1 (mm)	A0 (mm)	B0 (mm)	K0 (mm)	P1 (mm)	W (mm)	Pin1 Quadrant
TPA6012A4PWPR	HTSSOP	PWP	24	2000	330.0	16.4	6.95	8.3	1.6	8.0	16.0	Q1

**TAPE AND REEL BOX DIMENSIONS**



\*All dimensions are nominal

Device	Package Type	Package Drawing	Pins	SPQ	Length (mm)	Width (mm)	Height (mm)
TPA6012A4PWPR	HTSSOP	PWP	24	2000	367.0	367.0	38.0

# MECHANICAL DATA

PWP (R-PDSO-G24)

PowerPAD™ PLASTIC SMALL OUTLINE



4073225-5/1 05/11

- NOTES:
- All linear dimensions are in millimeters.
  - This drawing is subject to change without notice.
  - Body dimensions do not include mold flash or protrusions. Mold flash and protrusion shall not exceed 0.15 per side.
  - This package is designed to be soldered to a thermal pad on the board. Refer to Technical Brief, PowerPad Thermally Enhanced Package, Texas Instruments Literature No. SLMA002 for information regarding recommended board layout. This document is available at [www.ti.com](http://www.ti.com) <<http://www.ti.com>>.
  - See the additional figure in the Product Data Sheet for details regarding the exposed thermal pad features and dimensions.
  - Falls within JEDEC MO-153

PowerPAD is a trademark of Texas Instruments.

# THERMAL PAD MECHANICAL DATA

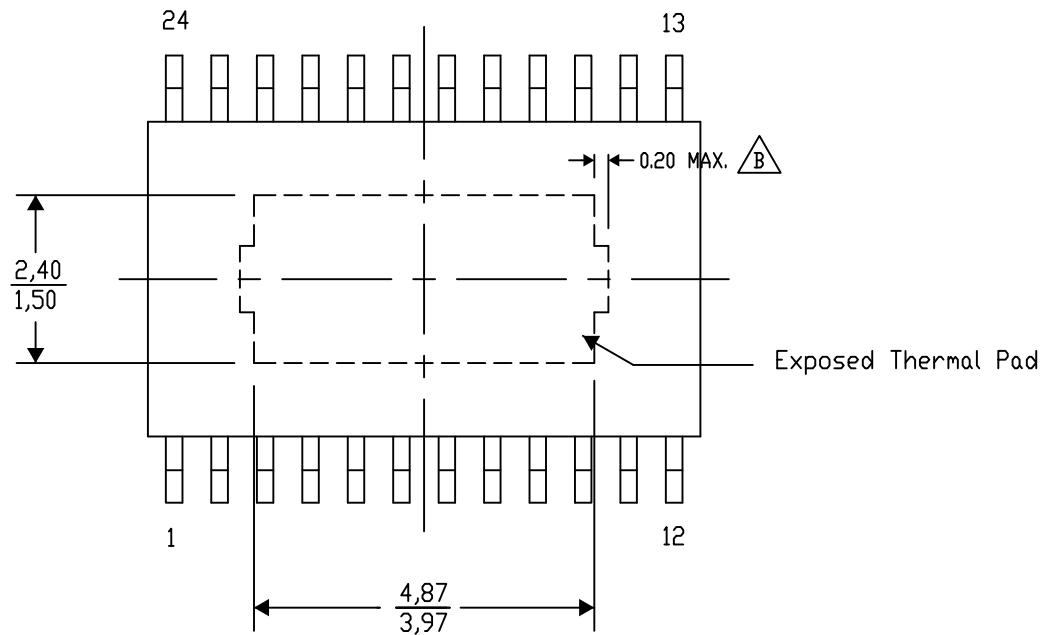
## PWP (R-PDSO-G24) PowerPAD™ SMALL PLASTIC OUTLINE

### THERMAL INFORMATION

This PowerPAD™ package incorporates an exposed thermal pad that is designed to be attached to a printed circuit board (PCB). The thermal pad must be soldered directly to the PCB. After soldering, the PCB can be used as a heatsink. In addition, through the use of thermal vias, the thermal pad can be attached directly to the appropriate copper plane shown in the electrical schematic for the device, or alternatively, can be attached to a special heatsink structure designed into the PCB. This design optimizes the heat transfer from the integrated circuit (IC).

For additional information on the PowerPAD package and how to take advantage of its heat dissipating abilities, refer to Technical Brief, PowerPAD Thermally Enhanced Package, Texas Instruments Literature No. SLMA002 and Application Brief, PowerPAD Made Easy, Texas Instruments Literature No. SLMA004. Both documents are available at [www.ti.com](http://www.ti.com).

The exposed thermal pad dimensions for this package are shown in the following illustration.



4206332-29/AC 07/12

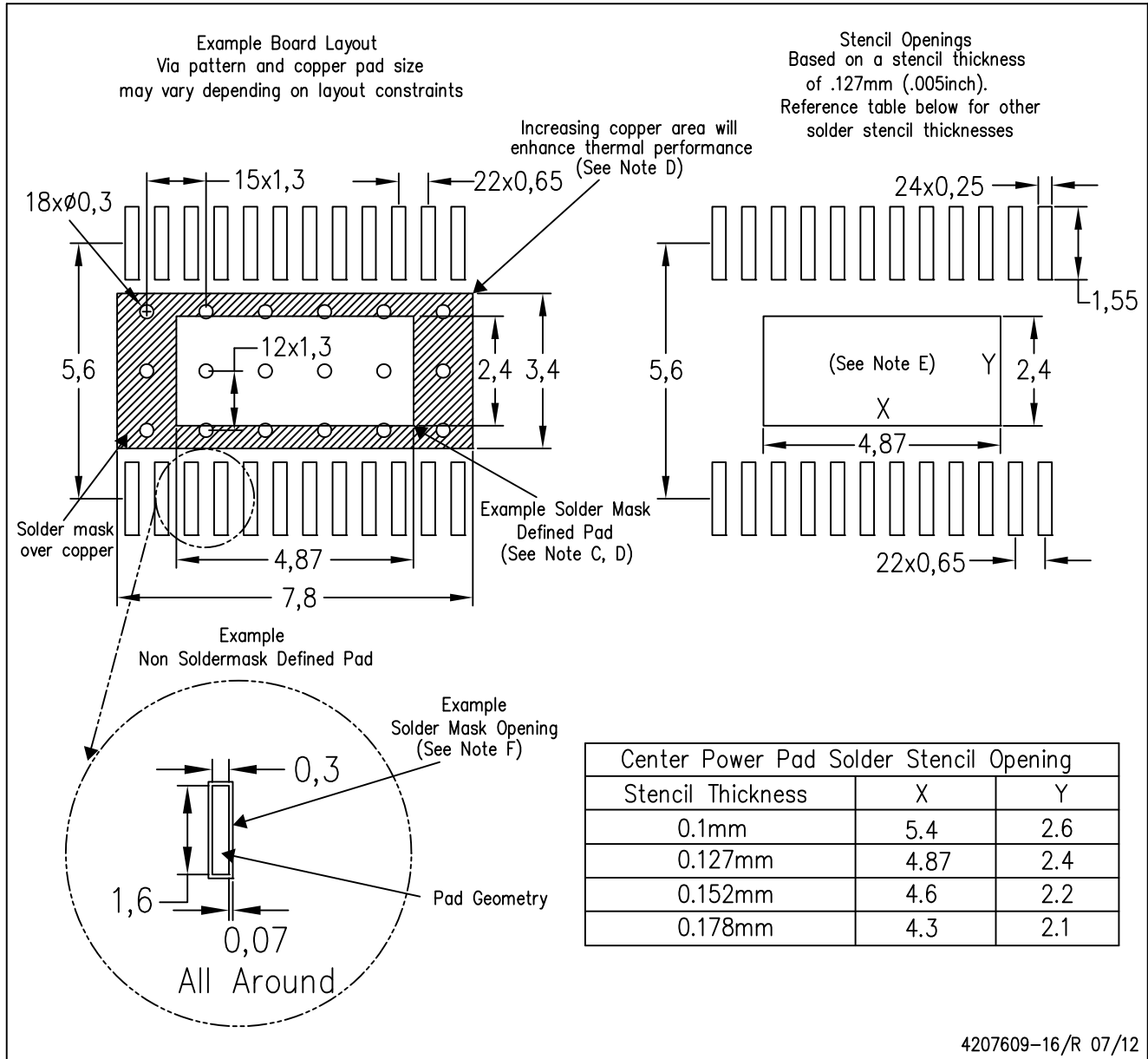
NOTE: A. All linear dimensions are in millimeters

B. Exposed tie strap features may not be present.

PowerPAD is a trademark of Texas Instruments

PWP (R-PDSO-G24)

PowerPAD™ PLASTIC SMALL OUTLINE



- NOTES:
- All linear dimensions are in millimeters.
  - This drawing is subject to change without notice.
  - Customers should place a note on the circuit board fabrication drawing not to alter the center solder mask defined pad.
  - This package is designed to be soldered to a thermal pad on the board. Refer to Technical Brief, PowerPad Thermally Enhanced Package, Texas Instruments Literature No. SLMA002, SLMA004, and also the Product Data Sheets for specific thermal information, via requirements, and recommended board layout. These documents are available at [www.ti.com](http://www.ti.com) <<http://www.ti.com>>. Publication IPC-7351 is recommended for alternate designs.
  - Laser cutting apertures with trapezoidal walls and also rounding corners will offer better paste release. Customers should contact their board assembly site for stencil design recommendations. Example stencil design based on a 50% volumetric metal load solder paste. Refer to IPC-7525 for other stencil recommendations.
  - Customers should contact their board fabrication site for solder mask tolerances between and around signal pads.

## IMPORTANT NOTICE

Texas Instruments Incorporated and its subsidiaries (TI) reserve the right to make corrections, enhancements, improvements and other changes to its semiconductor products and services per JESD46C and to discontinue any product or service per JESD48B. Buyers should obtain the latest relevant information before placing orders and should verify that such information is current and complete. All semiconductor products (also referred to herein as "components") are sold subject to TI's terms and conditions of sale supplied at the time of order acknowledgment.

TI warrants performance of its components to the specifications applicable at the time of sale, in accordance with the warranty in TI's terms and conditions of sale of semiconductor products. Testing and other quality control techniques are used to the extent TI deems necessary to support this warranty. Except where mandated by applicable law, testing of all parameters of each component is not necessarily performed.

TI assumes no liability for applications assistance or the design of Buyers' products. Buyers are responsible for their products and applications using TI components. To minimize the risks associated with Buyers' products and applications, Buyers should provide adequate design and operating safeguards.

TI does not warrant or represent that any license, either express or implied, is granted under any patent right, copyright, mask work right, or other intellectual property right relating to any combination, machine, or process in which TI components or services are used. Information published by TI regarding third-party products or services does not constitute a license to use such products or services or a warranty or endorsement thereof. Use of such information may require a license from a third party under the patents or other intellectual property of the third party, or a license from TI under the patents or other intellectual property of TI.

Reproduction of significant portions of TI information in TI data books or data sheets is permissible only if reproduction is without alteration and is accompanied by all associated warranties, conditions, limitations, and notices. TI is not responsible or liable for such altered documentation. Information of third parties may be subject to additional restrictions.

Resale of TI components or services with statements different from or beyond the parameters stated by TI for that component or service voids all express and any implied warranties for the associated TI component or service and is an unfair and deceptive business practice. TI is not responsible or liable for any such statements.

Buyer acknowledges and agrees that it is solely responsible for compliance with all legal, regulatory and safety-related requirements concerning its products, and any use of TI components in its applications, notwithstanding any applications-related information or support that may be provided by TI. Buyer represents and agrees that it has all the necessary expertise to create and implement safeguards which anticipate dangerous consequences of failures, monitor failures and their consequences, lessen the likelihood of failures that might cause harm and take appropriate remedial actions. Buyer will fully indemnify TI and its representatives against any damages arising out of the use of any TI components in safety-critical applications.

In some cases, TI components may be promoted specifically to facilitate safety-related applications. With such components, TI's goal is to help enable customers to design and create their own end-product solutions that meet applicable functional safety standards and requirements. Nonetheless, such components are subject to these terms.

No TI components are authorized for use in FDA Class III (or similar life-critical medical equipment) unless authorized officers of the parties have executed a special agreement specifically governing such use.

Only those TI components which TI has specifically designated as military grade or "enhanced plastic" are designed and intended for use in military/aerospace applications or environments. Buyer acknowledges and agrees that any military or aerospace use of TI components which have **not** been so designated is solely at the Buyer's risk, and that Buyer is solely responsible for compliance with all legal and regulatory requirements in connection with such use.

TI has specifically designated certain components which meet ISO/TS16949 requirements, mainly for automotive use. Components which have not been so designated are neither designed nor intended for automotive use; and TI will not be responsible for any failure of such components to meet such requirements.

### Products

Audio	<a href="http://www.ti.com/audio">www.ti.com/audio</a>
Amplifiers	<a href="http://amplifier.ti.com">amplifier.ti.com</a>
Data Converters	<a href="http://dataconverter.ti.com">dataconverter.ti.com</a>
DLP® Products	<a href="http://www.dlp.com">www.dlp.com</a>
DSP	<a href="http://dsp.ti.com">dsp.ti.com</a>
Clocks and Timers	<a href="http://www.ti.com/clocks">www.ti.com/clocks</a>
Interface	<a href="http://interface.ti.com">interface.ti.com</a>
Logic	<a href="http://logic.ti.com">logic.ti.com</a>
Power Mgmt	<a href="http://power.ti.com">power.ti.com</a>
Microcontrollers	<a href="http://microcontroller.ti.com">microcontroller.ti.com</a>
RFID	<a href="http://www.ti-rfid.com">www.ti-rfid.com</a>
OMAP Mobile Processors	<a href="http://www.ti.com/omap">www.ti.com/omap</a>
Wireless Connectivity	<a href="http://www.ti.com/wirelessconnectivity">www.ti.com/wirelessconnectivity</a>

### Applications

Automotive and Transportation	<a href="http://www.ti.com/automotive">www.ti.com/automotive</a>
Communications and Telecom	<a href="http://www.ti.com/communications">www.ti.com/communications</a>
Computers and Peripherals	<a href="http://www.ti.com/computers">www.ti.com/computers</a>
Consumer Electronics	<a href="http://www.ti.com/consumer-apps">www.ti.com/consumer-apps</a>
Energy and Lighting	<a href="http://www.ti.com/energy">www.ti.com/energy</a>
Industrial	<a href="http://www.ti.com/industrial">www.ti.com/industrial</a>
Medical	<a href="http://www.ti.com/medical">www.ti.com/medical</a>
Security	<a href="http://www.ti.com/security">www.ti.com/security</a>
Space, Avionics and Defense	<a href="http://www.ti.com/space-avionics-defense">www.ti.com/space-avionics-defense</a>
Video and Imaging	<a href="http://www.ti.com/video">www.ti.com/video</a>

**TI E2E Community** [e2e.ti.com](http://e2e.ti.com)