

### Description

The PT7709 is a next generation "Big Hammer", high-performance Integrated Switching Regulator (ISR), which is made available in Power Trends' aluminum 27-pin SIP package. The PT7709 improves on the popular PT7705 with 20A of output current and short circuit protection.

The PT7709 is suitable for existing 5V system designs that require power for the latest high-speed, low-

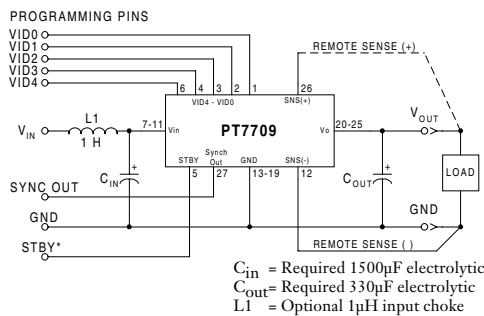
voltage  $\mu$ Ps, and bus drivers.

The PT7709 output is programmable from 1.3V to 3.5V with a 5-bit input, which is compatible with the Intel Pentium® Processor. A differential remote sense is also provided to compensate for voltage drop between the ISR and load.

Only 330 $\mu$ F of output capacitance are required for proper operation.

### Pin-Out Information

#### Standard Application



#### Pin Function

Pin	Function
1	VID0
2	VID1
3	VID2
4	VID3
5	STBY* - Stand-by
6	VID4
7	V <sub>in</sub>
8	V <sub>in</sub>
9	V <sub>in</sub>

#### Pin Function

Pin	Function
10	V <sub>in</sub>
11	V <sub>in</sub>
12	Remote Sense Gnd (4)
13	GND
14	GND
15	GND
16	GND
17	GND
18	GND

#### Pin Function

Pin	Function
19	GND
20	V <sub>out</sub>
21	V <sub>out</sub>
22	V <sub>out</sub>
23	V <sub>out</sub>
24	V <sub>out</sub>
25	V <sub>out</sub>
26	Remote Sense V <sub>out</sub>
27	Sync Out

For STBY\* pin:  
 open = output enabled  
 ground = output disabled.

### Specifications

Characteristics (T <sub>a</sub> = 25°C unless noted)	Symbols	Conditions	PT7709 SERIES				
			Min	Typ	Max	Units	
Output Current	I <sub>o</sub>	T <sub>a</sub> = +60°C, 200 LFM, pkg N T <sub>a</sub> = +25°C, natural convection	0.1 <sup>(1)</sup> 0.1 <sup>(1)</sup>	—	20 20	A A	
Input Voltage Range	V <sub>in</sub>	0.1A ≤ I <sub>o</sub> ≤ 20A	4.5	—	5.5	V	
Output Voltage Tolerance	ΔV <sub>o</sub>	V <sub>in</sub> = +5V, I <sub>o</sub> = 20A 0°C ≤ T <sub>a</sub> ≤ +65°C	V <sub>o</sub> -0.03	—	V <sub>o</sub> +0.03	V	
Line Regulation	Reg <sub>line</sub>	4.5V ≤ V <sub>in</sub> ≤ 5.5V, I <sub>o</sub> = 20A	—	±10	—	mV	
Load Regulation	Reg <sub>load</sub>	V <sub>in</sub> = +5V, 0.1 ≤ I <sub>o</sub> ≤ 20A	—	±10	—	mV	
V <sub>o</sub> Ripple/Noise	V <sub>n</sub>	V <sub>in</sub> = +5V, I <sub>o</sub> = 20A	—	50	—	mV	
Transient Response with C <sub>out</sub> = 330 $\mu$ F	t <sub>rr</sub> V <sub>os</sub>	I <sub>o</sub> step between 10A and 20A V <sub>o</sub> over/undershoot	—	50	—	$\mu$ Sec	
			—	100	—	mV	
Efficiency	$\eta$	V <sub>in</sub> = +5V, I <sub>o</sub> = 10A	V <sub>o</sub> = 3.3V	—	92	—	%
			V <sub>o</sub> = 2.5V	—	90	—	%
		V <sub>in</sub> = +5V, I <sub>o</sub> = 20A	V <sub>o</sub> = 3.3V	—	90	—	%
			V <sub>o</sub> = 2.5V	—	87	—	%
Switching Frequency	f <sub>o</sub>	4.5V ≤ V <sub>in</sub> ≤ 5.5V 0.1A ≤ I <sub>o</sub> ≤ 20A	300	350	400	kHz	
			—	—	—	—	
Absolute Maximum Operating Temperature Range	T <sub>a</sub>	Over V <sub>in</sub> and I <sub>o</sub> Ranges	-40 <sup>(2)</sup>	—	+85 <sup>(3)</sup>	°C	
Storage Temperature	T <sub>s</sub>	—	-40	—	+125	°C	
Mechanical Shock		Per Mil-STD-883D, Method 2002.3 1 msec, Half Sine, mounted to a fixture	—	500	—	G's	
Mechanical Vibration		Per Mil-STD-883D, Method 2007.2, 20-2000 Hz, Soldered in a PC board	—	10	—	G's	
Weight	—	Vertical/Horizontal	—	31/41	—	grams	

**Notes:** (1) ISR-will operate down to no load with reduced specifications.

(2) For operation below 0°C, C<sub>in</sub> and C<sub>out</sub> must have stable characteristics. Use either low ESR tantalum or Oscon® capacitors.

(3) See Safe Operating Area curves or contact the factory for the appropriate derating.

(4) If the Remote Sense Ground is not used, pin 12 must be connected to pin 13 for optimum output voltage accuracy.

**External Capacitors:** The PT7709 requires a minimum output capacitance of 330 $\mu$ F for proper operation. The PT7709 also requires an input capacitance of 1500 $\mu$ F, which must be rated for a minimum of 1.4Arms of ripple current. For transient or dynamic load applications, additional capacitance may be required. For more information refer to the application note regarding capacitor selection for this product.

**Input Filter:** An input filter inductor is optional for most applications. The inductor must be sized to handle 20ADC with a typical value of 1 $\mu$ H.

## 20 Amp Programmable Next Generation “Big Hammer”

### Features

- Single-Device: +5V input
- 5-bit Programmable:  
1.3V to 3.5V@20A
- High Efficiency
- Differential Remote Sense
- Short-Circuit Protection
- Parallelable with PT7743  
20A “Current Booster”

### Programming Information

VID3	VID2	VID1	VID0	VID4=1 Vout	VID4=0 Vout
1	1	1	1	2.0V	1.30V
1	1	1	0	2.1V	1.35V
1	1	0	1	2.2V	1.40V
1	1	0	0	2.3V	1.45V
1	0	1	1	2.4V	1.50V
1	0	1	0	2.5V	1.55V
1	0	0	1	2.6V	1.60V
1	0	0	0	2.7V	1.65V
0	1	1	1	2.8V	1.70V
0	1	1	0	2.9V	1.75V
0	1	0	1	3.0V	1.80V
0	1	0	0	3.1V	1.85V
0	0	1	1	3.2V	1.90V
0	0	1	0	3.3V	1.95V
0	0	0	1	3.4V	2.00V
0	0	0	0	3.5V	2.05V

Logic 0 = Pin 12 potential (remote sense gnd)  
 Logic 1 = Open circuit (no pull-up resistors)  
 VID3 and VID4 may not be changed while the unit is operating.

### Ordering Information

PT7709□ = 1.3 to 3.5 Volts

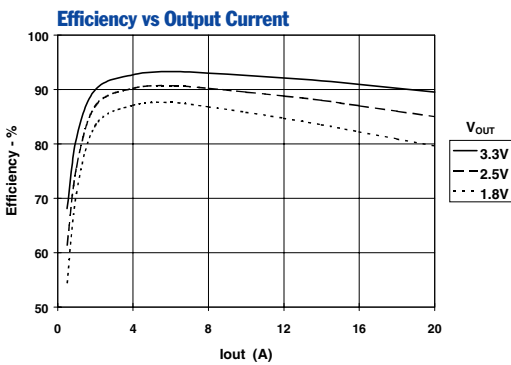
(For dimensions and PC board layout,  
see Package Styles 800 and 810.)

### PT Series Suffix (PT1234X)

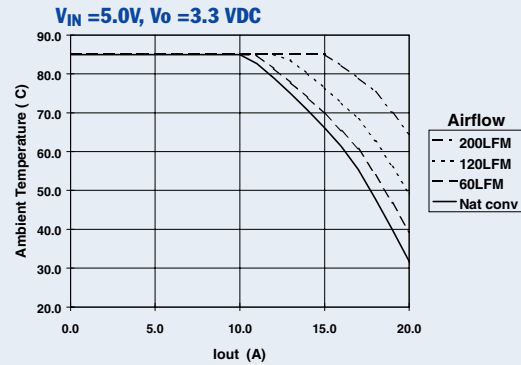
Case/Pin Configuration	
Vertical Through-Hole	<b>N</b>
Horizontal Through-Hole	<b>A</b>
Horizontal Surface Mount	<b>C</b>

## TYPICAL CHARACTERISTICS

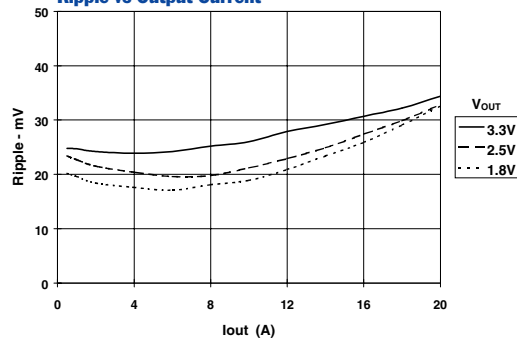
PT7709 Performance,  $V_o = 3.3\text{ VDC}$  (See Note A)



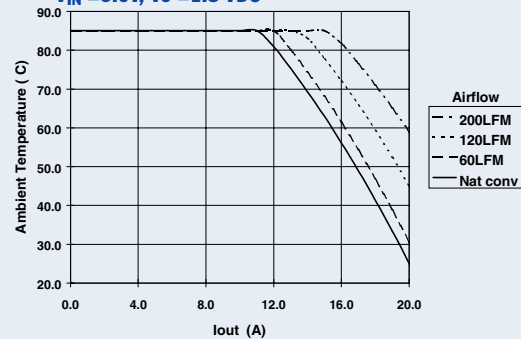
Safe Operating Area Curves (See Note B)



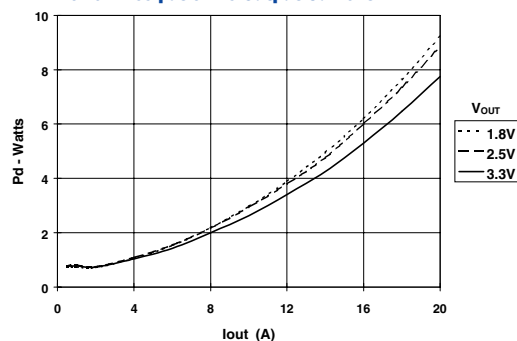
Ripple vs Output Current



Safe Operating Area Curves



Power Dissipation vs Output Current



**Note A:** All data in the above graphs has been developed from actual products tested at 25°C. The data is considered typical for the ISR

**Note B:** SOA curves represent operating conditions at which internal components are at or below manufacturer's maximum rated operating temperatures.

## Capacitor Recommendations for the PT7708/09 Regulators and PT7742/43 Current Boosters

### Input Capacitors

The recommended input capacitance is determined by 1.4 ampere minimum ripple current rating and 1500 $\mu$ F minimum capacitance. Capacitors listed below must be rated for a minimum of 2x the input voltage with +5V operation. Ripple current and  $\leq 100\text{m}\Omega$  Equivalent Series Resistance (ESR) values are the major considerations along with temperature when selecting the proper capacitor.

### Output Capacitors

The minimum required output capacitance is 330 $\mu$ F with a maximum ESR less than or equal to 100m $\Omega$ . Failure to observe this requirement may lead to regulator instability or oscillation. Electrolytic capacitors have poor ripple performance at frequencies greater than 400kHz, but excellent low frequency transient response. Above the ripple frequency ceramic decoupling capacitors are necessary to improve the transient response and reduce any microprocessor high frequency noise components apparent during higher current excursions. Preferred low ESR type capacitor part numbers are identified in the Table 1 below.

### Tantalum Characteristics

Tantalum capacitors with a minimum 10V rating are recommended on the output bus, but only the AVX TPS Series, Sprague 594/595 Series, or Kemet T495/T510 Series. The AVX TPS Series, Sprague Series or Kemet Series capacitors are specified over other types due to their higher surge current, excellent power dissipation and ripple current ratings. As an example, the TAJ Series by AVX is not recommended. This series exhibits considerably higher ESR, reduced power dissipation and lower ripple current capability. The TAJ Series is a less reliable compared to the TPS series when determining power dissipation capability.

### Capacitor Table

Table 1 identifies the characteristics of capacitors from a number of vendors with acceptable ESR and ripple current (rms) ratings. The suggested minimum quantities per regulator for both the input and output buses are identified.

*This is not an extensive capacitor list. The table below is a selection guide for input and output capacitors. Other capacitor vendors are available with comparable RMS ripple current rating and ESR (Equivalent Series Resistance at 100kHz). These critical parameters are necessary to insure both optimum regulator performance and long capacitor life.*

**Table 1 Capacitors Characteristic Data**

Capacitor Vendor/ Series	Capacitor Characteristics					Quantity		Vendor Number
	Working Voltage	Value( $\mu$ F)	(ESR) Equivalent Series Resistance	105°C Maximum Ripple Current(Irms)	Physical Size(mm)	Input Bus	Output Bus	
Panasonic FC Surface Mtg FA	16V	2200	0.038 $\Omega$	2000mA	18x16.5	1	1	EEVFC1C222N EEVFC1V331LQ
	35V	330	0.065 $\Omega$	1205mA	12.5x16.5		1	
	10V	680	0.090 $\Omega$	755mA	10x12.5		1	EEUFA1A681 EEUFA1C182A
	16V	1800	0.032 $\Omega$	2000mA	18x15	1	1	
United Chemi -Con LFBV Series	25V	330	0.084 $\Omega$	825mA	10x16	1	1	LXV25VB331M10X16LL LXV16VB222M16X20LL LXV16VB471M10X16LL
	16V	2200	0.038 $\Omega$	1630mA	16x20		1	
	16V	470	0.084 $\Omega/2=0.42\Omega$	825mA x2	10x16		1	
Nichicon PL Series PM Series	10V	680	0.090 $\Omega$	770mA	10x15	1	1	UPL1A681MHH6 UPL1A182MHH6 UPL1E331MPH6
	10V	1800	0.044 $\Omega$	1420mA	16x15		1	
	25V	330	0.095 $\Omega$	750mA	10x15		1	
Oscon SS SV	10V	330	0.025W/4=0.006 $\Omega$	>9800mA	10x10.5	4	N/R (Note)	10SS330M 10SV330M(Sufvace Mtg)
	10V	330	0.020/4=0.005 $\Omega$	>9800mA	10.3x12.6	4		
AVX Tantalum TPS- Series	10V	330	0.100/5=20 $\Omega$	3500mA	7.3Lx	5	1	TPSV337M010R0100 TPSV337M010R0060
	10V	330	0.060 $\Omega$	1826mA	4.3Wx 4.1H	5	1	
Sprague Tantalum 595D/594D	10V	330	0.045W/4=0.011 $\Omega$	>4500mA	7.3L x 5.7W x 4.0H	5	1	594D337X0010R2T Surface Mount 595D687X0010R2T
	10V	680	0.090 $\Omega$	>1660mA		2	1	
Kemet Tantalum T510/T495 Series	10V	330	0.035 $\Omega$	2000mA	4.3Wx7.3L x4.0H	5	1	510X337M010AS
	10V	220	0.070 $\Omega/2=0.035\Omega$	>2000mA		6	2	T495X227M010AS Surface Mount
Sanyo Poscap TPB	10V	220	0.040 $\Omega$	3000mA	7.2L x 4.3W x 3.1H	6	2	10TPB220M Surface Mount

**Note:** (N/R) is not recommended for this application, due to extremely low Equivalent Series Resistance (ESR)

**PACKAGING INFORMATION**

Orderable Device	Status (1)	Package Type	Package Drawing	Pins	Package Qty	Eco Plan (2)	Lead/Ball Finish	MSL Peak Temp (3)	Samples (Requires Login)
PT7709N	LIFEBUY	SIP MODULE	EHD	27	10	TBD	Call TI	Level-1-215C-UNLIM	

(1) The marketing status values are defined as follows:

**ACTIVE:** Product device recommended for new designs.

**LIFEBUY:** TI has announced that the device will be discontinued, and a lifetime-buy period is in effect.

**NRND:** Not recommended for new designs. Device is in production to support existing customers, but TI does not recommend using this part in a new design.

**PREVIEW:** Device has been announced but is not in production. Samples may or may not be available.

**OBSOLETE:** TI has discontinued the production of the device.

(2) Eco Plan - The planned eco-friendly classification: Pb-Free (RoHS), Pb-Free (RoHS Exempt), or Green (RoHS & no Sb/Br) - please check <http://www.ti.com/productcontent> for the latest availability information and additional product content details.

**TBD:** The Pb-Free/Green conversion plan has not been defined.

**Pb-Free (RoHS):** TI's terms "Lead-Free" or "Pb-Free" mean semiconductor products that are compatible with the current RoHS requirements for all 6 substances, including the requirement that lead not exceed 0.1% by weight in homogeneous materials. Where designed to be soldered at high temperatures, TI Pb-Free products are suitable for use in specified lead-free processes.

**Pb-Free (RoHS Exempt):** This component has a RoHS exemption for either 1) lead-based flip-chip solder bumps used between the die and package, or 2) lead-based die adhesive used between the die and leadframe. The component is otherwise considered Pb-Free (RoHS compatible) as defined above.

**Green (RoHS & no Sb/Br):** TI defines "Green" to mean Pb-Free (RoHS compatible), and free of Bromine (Br) and Antimony (Sb) based flame retardants (Br or Sb do not exceed 0.1% by weight in homogeneous material)

(3) MSL, Peak Temp. -- The Moisture Sensitivity Level rating according to the JEDEC industry standard classifications, and peak solder temperature.

**Important Information and Disclaimer:** The information provided on this page represents TI's knowledge and belief as of the date that it is provided. TI bases its knowledge and belief on information provided by third parties, and makes no representation or warranty as to the accuracy of such information. Efforts are underway to better integrate information from third parties. TI has taken and continues to take reasonable steps to provide representative and accurate information but may not have conducted destructive testing or chemical analysis on incoming materials and chemicals. TI and TI suppliers consider certain information to be proprietary, and thus CAS numbers and other limited information may not be available for release.

In no event shall TI's liability arising out of such information exceed the total purchase price of the TI part(s) at issue in this document sold by TI to Customer on an annual basis.

## IMPORTANT NOTICE

Texas Instruments Incorporated and its subsidiaries (TI) reserve the right to make corrections, enhancements, improvements and other changes to its semiconductor products and services per JESD46, latest issue, and to discontinue any product or service per JESD48, latest issue. Buyers should obtain the latest relevant information before placing orders and should verify that such information is current and complete. All semiconductor products (also referred to herein as "components") are sold subject to TI's terms and conditions of sale supplied at the time of order acknowledgment.

TI warrants performance of its components to the specifications applicable at the time of sale, in accordance with the warranty in TI's terms and conditions of sale of semiconductor products. Testing and other quality control techniques are used to the extent TI deems necessary to support this warranty. Except where mandated by applicable law, testing of all parameters of each component is not necessarily performed.

TI assumes no liability for applications assistance or the design of Buyers' products. Buyers are responsible for their products and applications using TI components. To minimize the risks associated with Buyers' products and applications, Buyers should provide adequate design and operating safeguards.

TI does not warrant or represent that any license, either express or implied, is granted under any patent right, copyright, mask work right, or other intellectual property right relating to any combination, machine, or process in which TI components or services are used. Information published by TI regarding third-party products or services does not constitute a license to use such products or services or a warranty or endorsement thereof. Use of such information may require a license from a third party under the patents or other intellectual property of the third party, or a license from TI under the patents or other intellectual property of TI.

Reproduction of significant portions of TI information in TI data books or data sheets is permissible only if reproduction is without alteration and is accompanied by all associated warranties, conditions, limitations, and notices. TI is not responsible or liable for such altered documentation. Information of third parties may be subject to additional restrictions.

Resale of TI components or services with statements different from or beyond the parameters stated by TI for that component or service voids all express and any implied warranties for the associated TI component or service and is an unfair and deceptive business practice. TI is not responsible or liable for any such statements.

Buyer acknowledges and agrees that it is solely responsible for compliance with all legal, regulatory and safety-related requirements concerning its products, and any use of TI components in its applications, notwithstanding any applications-related information or support that may be provided by TI. Buyer represents and agrees that it has all the necessary expertise to create and implement safeguards which anticipate dangerous consequences of failures, monitor failures and their consequences, lessen the likelihood of failures that might cause harm and take appropriate remedial actions. Buyer will fully indemnify TI and its representatives against any damages arising out of the use of any TI components in safety-critical applications.

In some cases, TI components may be promoted specifically to facilitate safety-related applications. With such components, TI's goal is to help enable customers to design and create their own end-product solutions that meet applicable functional safety standards and requirements. Nonetheless, such components are subject to these terms.

No TI components are authorized for use in FDA Class III (or similar life-critical medical equipment) unless authorized officers of the parties have executed a special agreement specifically governing such use.

Only those TI components which TI has specifically designated as military grade or "enhanced plastic" are designed and intended for use in military/aerospace applications or environments. Buyer acknowledges and agrees that any military or aerospace use of TI components which have **not** been so designated is solely at the Buyer's risk, and that Buyer is solely responsible for compliance with all legal and regulatory requirements in connection with such use.

TI has specifically designated certain components as meeting ISO/TS16949 requirements, mainly for automotive use. In any case of use of non-designated products, TI will not be responsible for any failure to meet ISO/TS16949.

### Products

Audio	<a href="http://www.ti.com/audio">www.ti.com/audio</a>
Amplifiers	<a href="http://amplifier.ti.com">amplifier.ti.com</a>
Data Converters	<a href="http://dataconverter.ti.com">dataconverter.ti.com</a>
DLP® Products	<a href="http://www.dlp.com">www.dlp.com</a>
DSP	<a href="http://dsp.ti.com">dsp.ti.com</a>
Clocks and Timers	<a href="http://www.ti.com/clocks">www.ti.com/clocks</a>
Interface	<a href="http://interface.ti.com">interface.ti.com</a>
Logic	<a href="http://logic.ti.com">logic.ti.com</a>
Power Mgmt	<a href="http://power.ti.com">power.ti.com</a>
Microcontrollers	<a href="http://microcontroller.ti.com">microcontroller.ti.com</a>
RFID	<a href="http://www.ti-rfid.com">www.ti-rfid.com</a>
OMAP Applications Processors	<a href="http://www.ti.com/omap">www.ti.com/omap</a>
Wireless Connectivity	<a href="http://www.ti.com/wirelessconnectivity">www.ti.com/wirelessconnectivity</a>

### Applications

Automotive and Transportation	<a href="http://www.ti.com/automotive">www.ti.com/automotive</a>
Communications and Telecom	<a href="http://www.ti.com/communications">www.ti.com/communications</a>
Computers and Peripherals	<a href="http://www.ti.com/computers">www.ti.com/computers</a>
Consumer Electronics	<a href="http://www.ti.com/consumer-apps">www.ti.com/consumer-apps</a>
Energy and Lighting	<a href="http://www.ti.com/energy">www.ti.com/energy</a>
Industrial	<a href="http://www.ti.com/industrial">www.ti.com/industrial</a>
Medical	<a href="http://www.ti.com/medical">www.ti.com/medical</a>
Security	<a href="http://www.ti.com/security">www.ti.com/security</a>
Space, Avionics and Defense	<a href="http://www.ti.com/space-avionics-defense">www.ti.com/space-avionics-defense</a>
Video and Imaging	<a href="http://www.ti.com/video">www.ti.com/video</a>

### TI E2E Community

[e2e.ti.com](http://e2e.ti.com)