

## 25-A, 48-V INPUT ISOLATED DC/DC CONVERTER WITH AUTO-TRACK™ SEQUENCING

### FEATURES

- Input Voltage: 36 V to 75 V
- 25-A Total Output Current
- 91% Efficiency
- Wide-Adjust Output Voltage: 1.8 V to 3.6 V
- Overcurrent Protection
- Output Overvoltage Protection
- Overtemperature Shutdown
- Output Enable Control
- Auto-Track Compatible Sequenced Output
- Smart-Sense Remote Sensing
- Undervoltage Lockout
- Industry Standard Size
- Surface Mountable
- 1500-Vdc Isolation
- Agency Approvals (Pending):  
UL/cUL 60950, EN 60950

### APPLICATIONS

- 3.3-V Intermediate Bus Architectures
- Telecom, High-End Computing Platforms
- Multi-Rail Power Systems with  
Power-Up Sequencing



### DESCRIPTION

The PTB48520W is a 25-A rated, 48-V input isolated dc/dc converter that incorporates Auto-Track™ power-up sequencing. This allows these modules to simultaneously power up with any other downstream non-isolated, Auto-Track compliant module.

The PTB48520W module provides two outputs, each regulated to the same voltage. During power up, the voltage at  $V_o$  Bus rises first, allowing this output to provide input power to any downstream non-isolated module. The voltage from  $V_o$  Seq is then allowed to rise simultaneously, under the control of Auto-Track, along with the outputs from the downstream modules.

Whether used to facilitate power-up sequencing, or operated as a stand-alone module, the PTB48520W includes many features expected of high-performance dc/dc converter modules. The wide output adjust enables the output voltage to be set to any voltage over the range, 1.8 V to 3.6 V, using a single external resistor. Precise output voltage regulation is ensured with a differential remote sense that intelligently regulates the sequenced output, depending on its sequence status. Other operational features include an input undervoltage lockout (UVLO) and an output enable control. Overcurrent, overvoltage, and overtemperature protection ensures the module ability to survive any load fault.

Typical applications include distributed power architectures in both telecom and computing environments, particularly complex digital systems requiring power sequencing of multiple power supply rails.



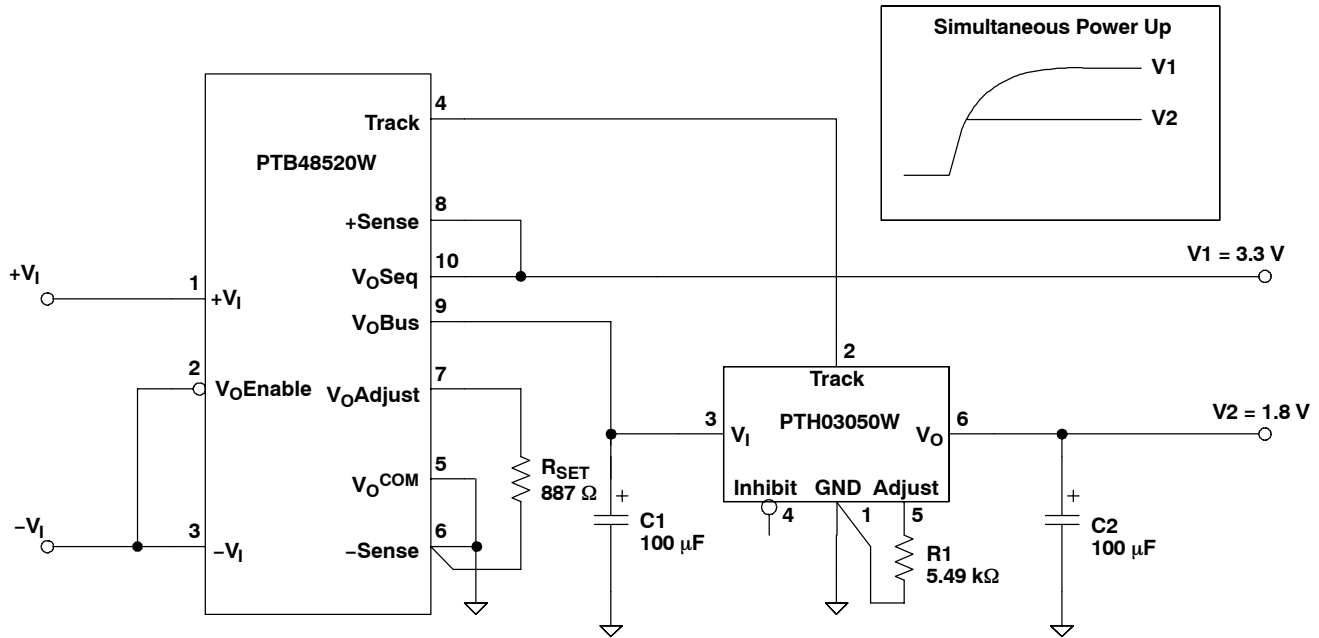
Please be aware that an important notice concerning availability, standard warranty, and use in critical applications of Texas Instruments semiconductor products and disclaimers thereto appears at the end of this data sheet.

Auto-Track is a trademark of Texas Instruments.



These devices have limited built-in ESD protection. The leads should be shorted together or the device placed in conductive foam during storage or handling to prevent electrostatic damage to the MOS gates.

Typical Circuit



ORDERING INFORMATION

PTB48520 (Basic Model)			
Output Voltage	Part Number	DESCRIPTION	Package Ref. <sup>(1)</sup>
1.8 V to 3.6 V	PTB48520WAH	Horizontal T/H	ERP
1.8 V to 3.6 V	PTB48520WAS	SMD, Standard <sup>(2)</sup>	ERQ

- (1) See the applicable package reference drawing for the dimensions and PC board layout.
- (2) *Standard* option specifies 63/37, Sn/Pb pin solder material.

ABSOLUTE MAXIMUM RATINGS

		UNIT
$V_{(Track)}$	Track input voltage	0 V to $V_O$ Bus + 0.3 V
$I_{(Track) max}$	Track input current	From external source 10 mA <sup>(1)</sup>
$T_A$	Operating temperature range	Over $V_I$ range -40°C to 85°C
	Overtemperature protection	PCB temperature (near pin 1) 115°C
$T_{(reflow)}$	Solder reflow temperature	Surface temperature of module or pins 235°C <sup>(2)</sup>
$T_{stg}$	Storage temperature	-40°C to 125°C

- (1) When the Track input is fed from an external voltage source, the input current must be limited. A 2.74-kΩ value series resistor is recommended.
- (2) During solder reflow of SMD package version, do not elevate the module PCB, pins, or internal component temperatures above a peak of 235°C.

**PACKAGE SPECIFICATIONS**

PTB48520W (Suffixes AH and AS)			
Weight			28.5 grams
Flammability	Meets UL94V-O		
Mechanical shock	Per Mil-STD-883D, Method 2002.3 1 msec, 1/2 Sine, mounted	Horizontal T/H (Suffix AH)	250 Gs <sup>(1)</sup>
		Horizontal SMD (Suffix AS)	150 Gs <sup>(1)</sup>
Mechanical vibration	Mil-STD-883D, Method 2007.2 20-2000 Hz, PCB mounted	Horizontal T/H (Suffix AH)	15 Gs <sup>(1)</sup>
		Horizontal SMD (Suffix AS)	5 Gs <sup>(1)</sup>

(1) Qualification limit.

**ELECTRICAL CHARACTERISTICS**

(Unless otherwise stated,  $T_A = 25^\circ\text{C}$ ,  $V_I = 48\text{ V}$ ,  $V_O = 3.3\text{ V}$ ,  $C_O = 0\ \mu\text{F}$ , and  $I_O = I_{O(\text{max})}$ )

PARAMETER		TEST CONDITIONS		MIN	TYP	MAX	UNIT	
$I_O$	Output current	Over $V_I$ range	$I_O$ Bus	0		25 <sup>(1)</sup>	A	
			$I_O$ Seq	0		10 <sup>(1)(2)</sup>		
		Sum total $I_O$ Bus + $I_O$ Seq	0		25	A		
$V_I$	Input voltage range	Over $I_O$ range		36	48	75	V	
$V_O$	Set-point voltage tolerance				$\pm 0.6$ <sup>(3)</sup>		% $V_O$	
	Temperature variation	$-40^\circ\text{C} \leq T_A \leq 85^\circ\text{C}$			$\pm 0.8$		% $V_O$	
	Line regulation	Over $V_I$ range			$\pm 1$		mV	
	Load regulation	Over $I_O$ range			$\pm 1$		mV	
	Total output voltage variation	Includes set-point, line, load, $-40^\circ\text{C} \leq T_A \leq 85^\circ\text{C}$			$\pm 1.5$		$\pm 3$ <sup>(3)</sup>	% $V_O$
	Adjust range	Over $V_I$ range			1.8		3.6	V
$\eta$	Efficiency	$I_O = 15\text{ A}$	$R_{\text{SET}} = 887\ \Omega$ , $V_O = 3.3\text{ V}$		91%			
			$R_{\text{SET}} = 6.98\ \text{k}\Omega$ , $V_O = 2.5\text{ V}$		90%			
			$R_{\text{SET}} = 35.7\ \text{k}\Omega$ , $V_O = 2.0\text{ V}$		89%			
			$R_{\text{SET}} = \text{open cct. } V_O = 1.8\text{ V}$		88%			
$V_O$ Ripple (peak-to-peak)		20 MHz bandwidth			20		mV <sub>pp</sub>	
Transient Response		1 A/ $\mu\text{s}$ load step, 50% to 100% $I_{O(\text{max})}$						
		Recovery time			75		$\mu\text{s}$	
		$V_O$ over/undershoot			$\pm 3$		% $V_O$	
Track input (pin 4)	Input current	Pin connected to $V_O$ COM				-0.13	mA	
	Open-circuit voltage			0		$V_O$ Bus	V	
	Input slew rate limits			0.1 <sup>(4)</sup>		1	V/ms	
Output enable input (pin 2)	Referenced to $-V_I$ (pin 3)							
	Input high voltage ( $V_{IH}$ )		2		Open <sup>(5)</sup>		V	
	Input low voltage ( $V_{IL}$ )		-0.2		0.8			
	Input low current ( $I_{IL}$ )			-480			$\mu\text{A}$	
Standby input current	Pin 2 open				2		mA	
No-load input current	Pins 2 and 3 connected, $I_O$ Tot = 0				50		mA	
Overcurrent threshold, $I_O$ (tot)	Shutdown, followed by autorecovery				40		A	

- (1) See temperature derating curves for safe operating area (SOA), or consult factory for appropriate derating.
- (2) When load current is supplied from the  $V_O$  Seq output, the module exhibits higher power dissipation and slightly lower operating efficiency.
- (3) The set-point voltage tolerance is affected by the tolerance and stability of  $R_{\text{SET}}$ . The stated limit is unconditionally met if  $R_{\text{SET}}$  has a tolerance of 1%, with 100 ppm/ $^\circ\text{C}$  temperature stability.
- (4) When controlling the Track input from an external source, the slew rate of the applied signal **must** be greater than the minimum limit. Failure to allow the voltage to completely rise to the voltage at the  $V_O$  (bus) output, at no less than the minimum specified rate, may thermally overstress the converter.
- (5) The  $V_O$  Enable input has an internal pull-up, and if left open the converter output is turned off. A discrete MOSFET or bipolar transistor is recommended to control this input. The open-circuit voltage is approximately 20% of the input voltage. If the output enable feature is not used, this pin should be permanently connected to  $-V_I$ . See the application information for other interface considerations.

## ELECTRICAL CHARACTERISTICS (continued)

(Unless otherwise stated,  $T_A = 25^\circ\text{C}$ ,  $V_I = 48\text{ V}$ ,  $V_O = 3.3\text{ V}$ ,  $C_O = 0\ \mu\text{F}$ , and  $I_O = I_{O\text{max}}$ )

PARAMETER	TEST CONDITIONS	MIN	TYP	MAX	UNIT
OVP	Output overvoltage protection		125		% $V_O$
UVLO	Undervoltage lockout	30	34	36	V
$f_s$	Switching frequency	225	275	325	kHz
	Internal input capacitance		3		$\mu\text{F}$
	External output capacitance	0		5000	$\mu\text{F}$
	Isolation voltage	1500			Vdc
	Isolation capacitance		1000		pF
	Isolation resistance	10			M $\Omega$
MTBF	Reliability		1.2		10 <sup>6</sup> Hrs

## TERMINAL FUNCTIONS

TERMINAL		DESCRIPTION
NAME	NO.	
+ $V_I$ <sup>(1)</sup>	1	The positive input for the module with respect to $-V_I$ . When powering the module from a negative input voltage, this input is connected to the input source ground.
$-V_I$ <sup>(1)</sup>	3	The negative input supply for the module, and the 0-V reference for the $V_O\text{ Enable}$ input. When powering the module from a positive source, this input is connected to the input source return.
$V_O\text{ Enable}$ <sup>(1) (2)</sup>	2	An open-collector (open-drain) negative logic input that is referenced to $-V_I$ . This input must be pulled to $-V_I$ potential to enable the output voltage. A high impedance connection disables the module output. If the output enable feature is not used, pin 2 should be permanently connected to $-V_I$ . The module then produces an output whenever a valid input source is applied.
$V_O\text{ Bus}$	9	Produces a positive power output with respect to $V_O\text{ COM}$ . This is the main output from the converter when operated in a stand-alone configuration. It is dc isolated from the input power pins and is the first output to rise when the converter is either powered or enabled. In power-up sequencing applications, this output can provide a 3.3-V standby source to power the downstream non-isolated modules.
$V_O\text{ Seq}$	10	This is the sequenced output voltage from the converter. This voltage can be directly controlled from the Track pin. During power up, $V_O\text{ Seq}$ rises with the Track pin voltage, typically 20 ms after the $V_O\text{ Bus}$ output has reached regulation.
$V_O\text{ COM}$	5	This is the output power return for both the $V_O\text{ Bus}$ and $V_O\text{ Seq}$ output voltages. This node should be connected to the load circuit common.
Track	4	The voltage at this pin directly controls the voltage $V_O\text{ Seq}$ regulated output. It is primarily used to sequence the voltage $V_O\text{ Seq}$ with the regulated outputs from any downstream non-isolated modules that are powered from the converter $+V_O\text{ Bus}$ output. In these applications, the Track pin is simply connected to the track control of each of the non-isolated modules. The Track pin has an internal transistor, which holds it at $V_O\text{ COM}$ potential for approximately 20 ms after the $V_O\text{ Bus}$ output is in regulation. Following this delay, the Track voltage and $V_O\text{ Seq}$ rises simultaneously with the output voltage of all the non-isolated modules that are under the control of Auto-Track.
$V_O\text{ Adjust}$	7	A resistor must be connected between this pin and $-Sense$ to set the converter output voltage. A 0.05-W rated resistor may be used, with tolerance and temperature stability of 1% and 100 ppm/ $^\circ\text{C}$ , respectively. If this pin is left open, the converter output voltage defaults to its lowest value. The specification table gives the preferred resistor values for the popular bus voltages.
+Sense	8	The +Sense pin can be connected to either the $V_O\text{ Bus}$ or $V_O\text{ Seq}$ outputs. When connected to $V_O\text{ Seq}$ , remote sense compensation will be delayed until the power-up sequence is complete. The voltage at $V_O\text{ Bus}$ is raised slightly. The pin may be left open circuit, but connecting it to one of the output terminals improves load regulation of that output.
$-Sense$	6	Provides the converter with a remote sense capability when used with +Sense. For optimum output voltage accuracy, this pin should always be connected to $V_O\text{ COM}$ . This pin is also the reference connection for the output voltage set-point resistor.

(1) These functions indicate signals electrically common with the input.

(2) Denotes negative logic: Low ( $-V_I$ ) = Normal operation, Open = Output off

## TYPICAL CHARACTERISTICS

Characteristic Data;  $V_I = 48\text{ V}$  <sup>(1)</sup>

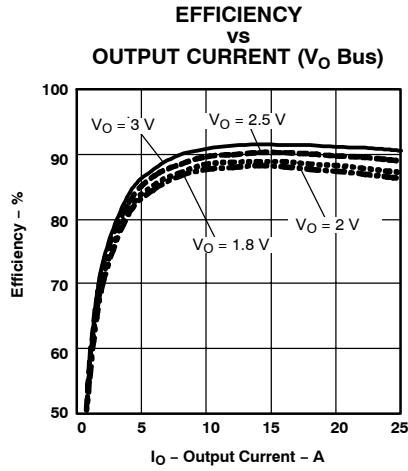


Figure 1.

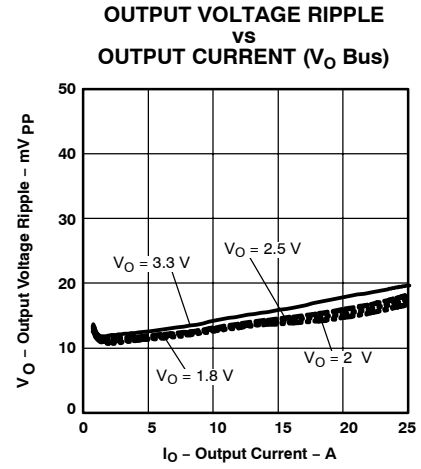


Figure 2.

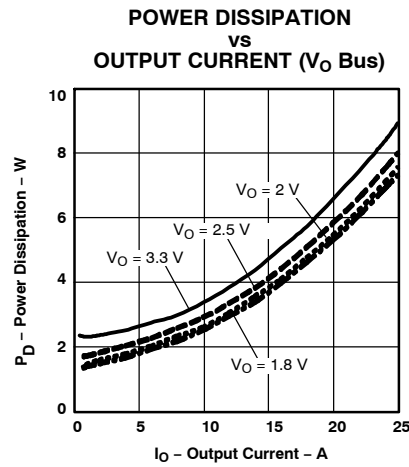


Figure 3.

(1) All data listed in Figure 1, Figure 2, and Figure 3 have been developed from actual products tested at 25°C. This data is considered typical data for the dc-dc converter.

## TYPICAL CHARACTERISTICS (continued)

Safe Operating Areas;  $V_I = 48\text{ V}^{(2)}$

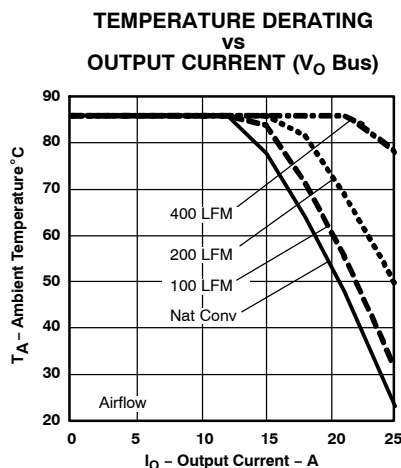


Figure 4.

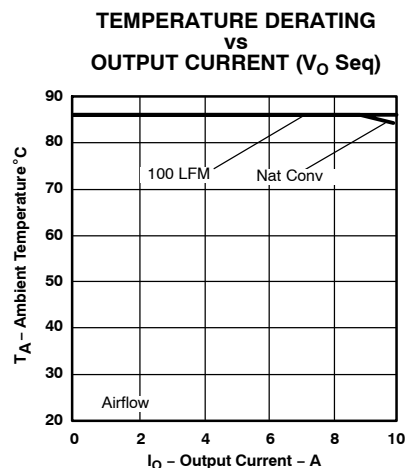


Figure 5.

- (2) The temperature derating curves represent operating conditions at which internal components are at or below manufacturer's maximum rated operating temperature. See [Figure 4](#) and [Figure 5](#).

## APPLICATION INFORMATION

### Operating Features and System Considerations for the PTB48520W DC/DC Converter

#### Overcurrent Protection

To protect against load faults, these converters incorporate output overcurrent protection. Applying a load to the output that exceeds the converter overcurrent threshold (see applicable specification) causes the output voltage to momentarily fold back, and then shut down. Following shutdown, the module periodically attempts to automatically recover by initiating a soft-start power up. This is often described as a *hiccup* mode of operation, whereby the module continues in the cycle of successive shutdown and power up until the load fault is removed. Once the fault is removed, the converter automatically recovers and returns to normal operation.

#### Output Overvoltage Protection

The converter continually monitors for an output overvoltage (OV) condition, directly across the  $+V_O$  Bus output. The OV threshold automatically tracks the output voltage set point to a level that is 25% higher than that set by the external  $R_{(SET)}$  voltage adjust resistor. If the output voltage exceeds this threshold, the converter is immediately shut down and remains in a latched-off state. To resume normal operation, the converter must be actively reset. This can only be done by momentarily removing the input power to the converter. For fail-safe operation and redundancy, the OV protection uses circuitry that is independent of the converter internal feedback loop.

#### Differential Output Voltage Sense

A differential remote sense allows a converter regulation circuitry to compensate for limited amounts of IR drop, that may be incurred between the converter and load, in either the positive or return PCB traces. Connecting the (+)Sense and (-)Sense pins to the respective positive and ground reference of the load terminals improves the load regulation of the converter output voltage at that connection point. The (-)Sense pin should always be connected to the  $V_O$  COM. The (+)Sense pin may be connected to either the  $+V_O$  Bus or  $+V_O$  Seq outputs.

When the (+)Sense pin is connected to the  $V_O$  Seq output, the voltage at  $V_O$  Bus voltage regulates slightly

## APPLICATION INFORMATION (continued)

higher. Depending on the load conditions on the  $V_O \text{ Seq}$  output, the voltage at  $V_O \text{ Bus}$  may be up to 100 mV higher than the converter set-point voltage. In addition, the Smart-Sense feature (incorporated into the converter) only engages sense compensation to the  $V_O \text{ Seq}$  output when that output voltage is close to the set point. During other conditions, such as power-up and power-down sequencing events, the sense circuit automatically defaults to sensing the  $V_O \text{ Bus}$  voltage, internal to the converter.

Leaving the (+)Sense and (-)Sense pins open does not damage the converter or load circuitry. The converter includes default circuitry that keeps the output voltage in regulation. If the remote sense feature is not used, the (-)Sense pin should always be connected to  $V_O \text{ COM}$ .

**Note:** The remote sense feature is not designed to compensate for the forward drop of nonlinear or frequency dependent components that may be placed in series with the converter output. Examples include OR-ing diodes, filter inductors, ferrite beads, and fuses. When these components are enclosed by the sense pin connections, they are effectively placed inside the regulation control loop, which can adversely affect the stability of the converter.

### Overtemperature Protection

Overtemperature protection is provided by an internal temperature sensor, which monitors the temperature of the converter PCB (close to pin 1). If the PCB temperature exceeds a nominal 115°C, the converter shuts down. The converter then automatically restarts when the sensed temperature falls to approximately 105°C. When operated outside its recommended thermal derating envelope (see data sheet derating curves), the converter typically cycles on and off at intervals from a few seconds to one or two minutes. This is to ensure that the internal components are not permanently damaged from excessive thermal stress.

### Undervoltage Lockout

The undervoltage lockout (UVLO) is designed to prevent the operation of the converter until the input voltage is close to the minimum operating voltage. The converter is held off when the input voltage is below the UVLO threshold, and turns on when the input voltage rises above the threshold. This prevents high start-up current during normal power up of the converter, and minimizes the current drain from the input source during low input voltage conditions. The converter meets full specifications when the minimum specified input voltage is reached. The UVLO circuitry also overrides the operation of the  $V_O \text{ Enable}$  control. Only when the input voltage is above the UVLO threshold is the  $V_O \text{ Enable}$  control functional.

### Primary-Secondary Isolation

These converters incorporate electrical isolation between the input terminals (primary) and the output terminals (secondary). All converters are tested to a withstand voltage of 1500 VDC. This complies with UL/cUL 60950 and EN 60950 and the requirements for operational isolation. It allows the converter to be configured for either a positive or negative input voltage source. The data sheet *Terminal Functions* table provides guidance as to the correct reference that must be used for the external control signals.

### Output Voltage Adjustment

The  $V_O \text{ Adjust}$  control sets the output voltages to a value higher than 1.8 V. For output voltages other than 1.8 V a single external resistor,  $R_{\text{set}}$ , must be connected directly between  $V_O \text{ Adjust}$  (pin 7) and (-)Sense (pin 6) pins. A 0.05-W rated resistor can be used. The tolerance should be 1%, with a temperature stability of 100 ppm/°C (or better). Place the resistor close to the converter and connect it directly between pins 7 and 6 using dedicated PCB traces (see typical application). [Table 1](#) gives the preferred value of the external resistor for a number of standard voltages, along with the actual output voltage that this resistance value provides.

For other output voltages the value of the required adjust resistor may be calculated using [Equation 1](#).

$$R_{\text{set}} = 6.49 \text{ k}\Omega \times \frac{1.225 \text{ V}}{V_{\text{set}} - 1.805 \text{ V}} - 4.42 \text{ k}\Omega \quad (1)$$

**Table 1. Standard Values of  $R_{SET}$  for Common Output Voltages**

$V_O$ (Required)	$R_{SET}$ (Standard Value)	$V_O$ (Actual)
3.6 V	0 $\Omega$	3.604 V
3.3 V	887 $\Omega$	3.303 V
2.5 V	6.98 k $\Omega$	2.503 V
2.0 V	35.7 k $\Omega$	2.003 V
1.8 V	Open	1.805 V

### Input Current Limiting

**The converter is not internally fused.** For safety and overall system protection, the maximum input current to the converter must be limited. Active or passive current limiting can be used. Passive current limiting can be a fast-acting fuse. A 125-V fuse, rated no more than 10 A, is recommended. Active current limiting can be implemented with a current limited *Hot-Swap* controller.

### Thermal Considerations

Airflow may be necessary to ensure that the module can supply the desired load current in environments with elevated ambient temperatures. The required airflow rate is determined from the safe operating area (SOA). The SOA is the area beneath the applicable airflow rate curve on the graph of temperature derating vs output current. (See Typical Characteristics.) Operating the converter within the SOA limits ensures that all the internal components are at or below their stated maximum operating temperatures.



## Using the Output Enable Control on the PTB48520 Auto-Track Compatible DC/DC Converter

The  $V_O$  Enable (pin 2) control is an active low input that allows the output voltage from the converter to be turned on and off while it is connected to the input source. The  $V_O$  Enable input is referenced to the  $-V_I$  (pin 3)<sup>(1)</sup>, on the primary side of the converter isolation, and has its own internal pullup. The open-circuit voltage is approximately 20% of the applied input source voltage.

For the converter to function normally, pin 2 must be pulled low to  $-V_I$  potential<sup>(2)</sup>. The converter output then produces a regulated voltage whenever a valid source voltage is applied between  $+V_I$  (pin 1) and  $-V_I$  (pin 3)<sup>(3)</sup>. If the voltage at pin 2 is allowed to rise above  $V_{IH}(\text{min})$ , (see specification table), the output from the converter is turned off.

Figure 6 is an application schematic that shows the typical use of the Output Enable function. Note the discrete transistor (Q1). Either a discrete MOSFET or bipolar transistor is recommended to control this input. Table 2 gives the threshold requirements.

When placed in Off state, the output neither sources or sinks output current. The load voltage then decays as the output capacitance is discharged by the load circuit. With the output turned off, the current drawn from the input source is typically reduced to 2 mA.

- (1) The  $V_O$  Enable control uses  $-V_I$  (pin 3) as ground reference. All voltages are with respect to  $-V_I$ .
- (2) Use an open-collector (or open-drain) discrete transistor to control the  $V_O$  Enable input. A pullup resistor is not necessary. To disable the converter, the control pin should be pulled low to less than +0.8 V. If the Output Enable feature is not used, pin 2 should be permanently connected to  $-V_I$  (pin 3).
- (3) The converter incorporates a UVLO. The UVLO does not allow the converter to power up until the input voltage is close to its minimum specified operating voltage. This is regardless of the state of the *Output Enable* control. Consult the specifications for the UVLO thresholds.

Table 2. Output Enable Control Requirements<sup>(1)</sup>

PARAMETER	MIN	TYP	MAX	UNIT
$V_{IH}$	2			V
$V_{IL}$			0.8	V
$V_{O/C}$ [Open-Circuit]			15	V
$I_I$ [pin 1 at $-V_{in}$ ]			-0.8	mA

- (1) The  $V_O$  Enable control uses  $-V_I$  (pin 3) as its ground reference. All voltages are with respect to  $-V_I$ .

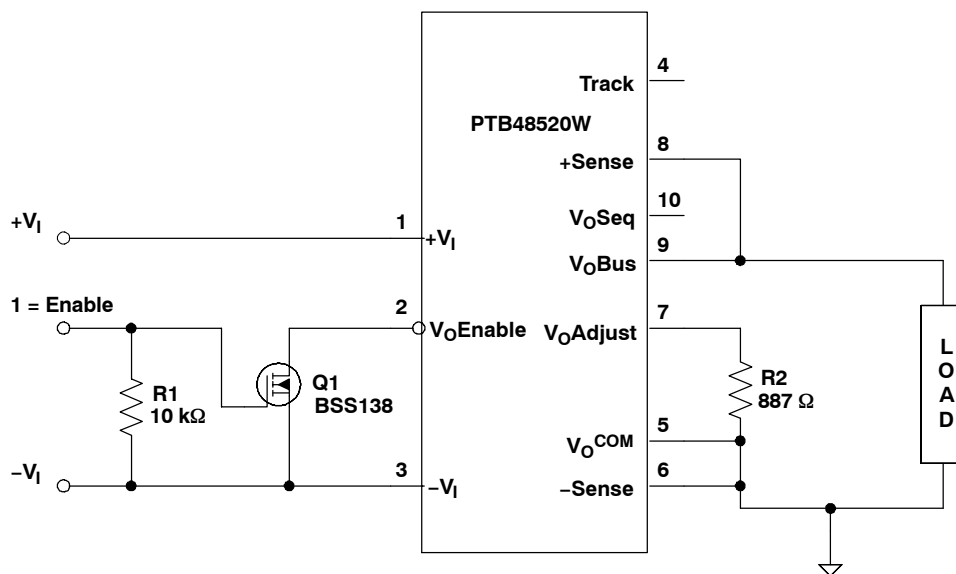
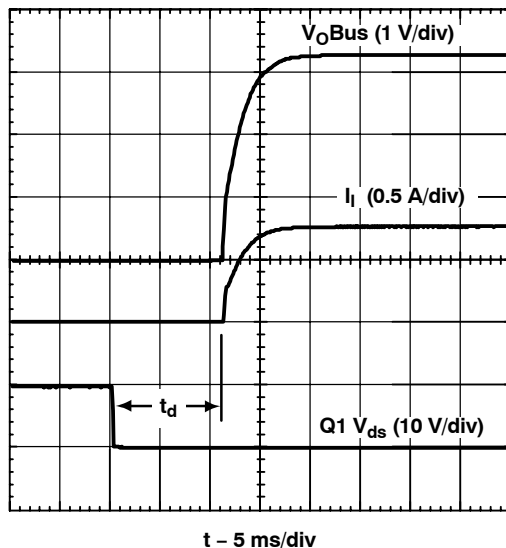


Figure 6. Output Enable Operation

**Turn-On Time:** In the circuit of Figure 6, turning Q1 off allows the voltage at pin 2 to rise to its internal pullup voltage. This disables the converter output. When Q1 is then turned on, it applies a low-level voltage to pin 2,

and enables the output of the converter. The converter produces a regulated output voltage within 50 ms. Figure 7 shows the output response of the converter after Q1 is turned on. The turnon of Q1 corresponds to the drop in the Q1  $V_{ds}$  waveform. Although the output voltage rise time is short (<10 ms), the indicated delay time ( $t_d$ ) varies depending on the input voltage and the module's internal timing. The output voltage of the module was set to 3.3 V. The waveforms were measured with 48-Vdc input voltage and a 10-A resistive load.



**Figure 7. Output Enable Power-Up Characteristic**

## Sequenced Power Up with POL Modules

### Overview

The dc/dc converter has two outputs,  $V_O$  Seq and  $V_O$  Bus.  $V_O$  Bus is the main output from the converter.  $V_O$  Seq is an output that is derived from  $V_O$  Bus and can be sequenced with other supply voltages during power up. Both outputs are regulated to the same set-point voltage, except that the rise in the  $V_O$  Seq output is controlled by the pin called Track, and delayed during power-up events. The delay allows the converter to both power and sequence with one or more non-isolated, 3.3-V input, Auto-Track compatible modules<sup>1</sup>. The rise of all output voltages is coordinated using a control signal common to the Track inputs of all Auto-Track compliant modules. The hold-off delay built into the PTB48520W holds the track control signal low to comply with the power-up requirements of the downstream non-isolated modules.

### Auto-Track Features

Figure 8 shows a block diagram of the converter Auto-Track features. During power up,  $V_O$  Bus (pin 9) rises promptly, whenever the converter is connected to a valid input source and its output is enabled.  $V_O$  Seq (pin 10) is the Auto-Track compatible output that is derived from  $V_O$  Bus but controlled by the voltage presented at the Track input (pin 4). The control relationship is on a volt-for-volt basis, and is active from 0 V up to a voltage just below the  $V_O$  Bus output. Between these two limits, the voltage at  $V_O$  Seq follows that at the Track input. Once the Track input is at the  $V_O$  Bus voltage, raising it higher has no further effect. The voltage at  $V_O$  Seq cannot go higher than  $V_O$  Bus, and if connected to +Sense (pin 8), then regulates at the set-point voltage.<sup>2</sup>

The control relationship between  $V_O$  Seq and the Track input is the same as other Auto-Track compatible outputs, across all module types. By connecting the Track input of the converter to the Track inputs of other Auto-Track modules, all the associated output voltages can be made to follow the same rising control voltage during power-up transitions.<sup>3</sup> A suitable rising voltage is produced by the Track input internal R-C time constant. An external ramp waveform<sup>4, 5</sup> may also be used.

The Track input of the dc/dc converter includes a pullup resistor ( $R_{TRK}$ ) to  $V_O$  Bus, and a  $1\text{-}\mu\text{F}$  capacitor ( $C_{TRK}$ ) to  $V_O$  COM. This enables the Track input to rise automatically once the internal MOSFET turns off. In sequencing applications, the non-isolated modules are powered by the  $V_O$  Bus output. The internal MOSFET holds the Track voltage at ground for 20 ms after the  $V_O$  Bus output is in regulation. This gives the non-isolated modules time to initialize so that their outputs can rise with the  $V_O$  Seq output.

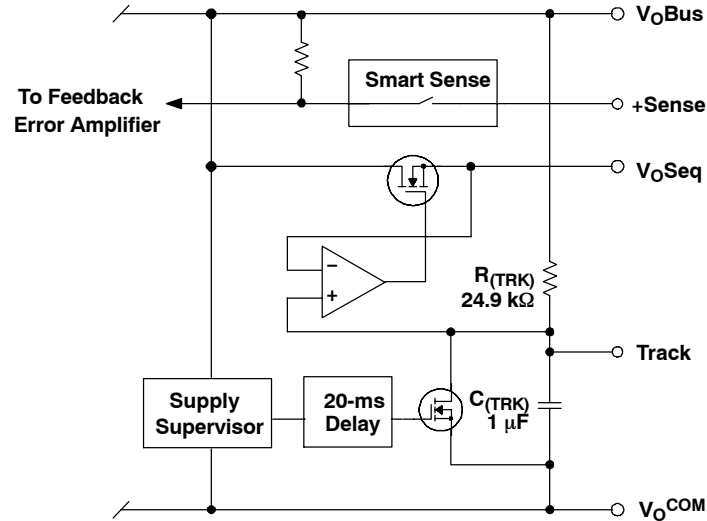


Figure 8. Block Diagram of Auto-Track Features

**Notes:**

1. Auto-Track compatible modules incorporate a Track input that can take direct control of the output voltage during power-up transistions. The control relationship is on a volt-for-volt basis and is active between the 0 V and the module's set-point voltage. Once the Track input is above the set-point voltage, the module remains at its set point. Connecting the Track input of a number of such modules together allows their outputs to follow a common control voltage during power up.
2. When +Sense (pin 8) is connected to the  $V_O$  Seq output (pin 10), the  $V_O$  Seq output is tightly regulated to the set-point voltage. In this configuration, the voltage at the  $V_O$  Bus output (pin 9) is up to 100 mV higher.
3. The  $V_O$  Seq output cannot sink load current. This constraint does not allow the module to coordinate a sequenced power down.
4. The slew rate for the Track input signal must be between 0.1 V/ms and 1 V/ms. Above this range, the  $V_O$  Seq output may no longer accurately follow the Track input voltage. A slew rate below this range may thermally stress the converter. These slew rate limits are met whenever the Track input voltage is controlled by the internal R-C time constant of the modules being sequenced.
5. Whenever an external voltage is used to control the Track input, the source current **must** be limited. A resistance value of 2.74-k $\Omega$  is recommended for this purpose. This is necessary to protect the internal transistor to the converter's Track control input. This transistor holds the track control voltage at ground potential for 20 ms after the  $V_O$  Bus output is in regulation.

### Typical Power-Up Sequencing Configuration

Figure 10 shows how the converter (U1) can be configured to provide two 3.3-V sources, that allow it to both power and sequence with one or more non-isolated POL modules. The example shows two PTH03050W modules (U2 and U3), each rated for up to 6 A of output current. Additional voltages, as well as modules with a higher output current capability can also be specified to meet a specific application. The number of downstream modules, their respective output voltage and load current rating is only limited by the amount of current available at the  $V_O$  Bus output. This is 25 A, less the current allocated to the load circuit via the  $V_O$  Seq output.

The output voltage adjust range is 1.8 V to 3.6 V, which is compatible with the 3.3-V input non-isolated POL modules. In these applications, the output voltage must always be set to 3.3 V ( $R1 = 887 \Omega$ ). Note that this sets the output voltage of both the  $V_O$  Bus and  $V_O$  Seq outputs. The 3.3-V input non-isolated modules, U2 and U3, can be set to any voltage over the range, 0.8 V to 2.5 V. In this example, they are set to 2.5 V ( $R2 = 2.21 \text{ k}\Omega$ ) and 1.8 V ( $R3 = 5.49 \text{ k}\Omega$ ), respectively. Figure 9 shows the power-up waveforms from Figure 10 when the Track control input to all three modules are simply connected together.

The converter provides input power to the downstream non-isolated modules via the  $V_O$  Bus output. This output rises first to allow the downstream modules to complete their power-up initialization.  $V_O$  Seq (3.3 V), and the outputs  $V_{(POL)1}$  (2.5 V) and  $V_{(POL)2}$  (1.8 V), supply the load circuit. These three outputs are controlled by the track control voltage, which the converter holds at ground potential for 20 ms. When the track control voltage is finally allowed to rise, the three outputs rise simultaneously to their respective set-point voltages.

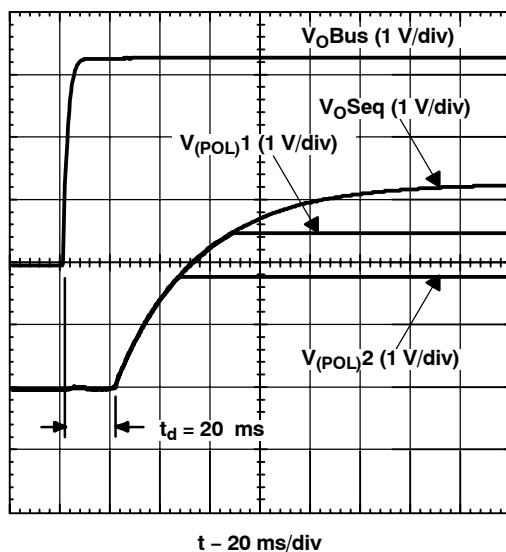
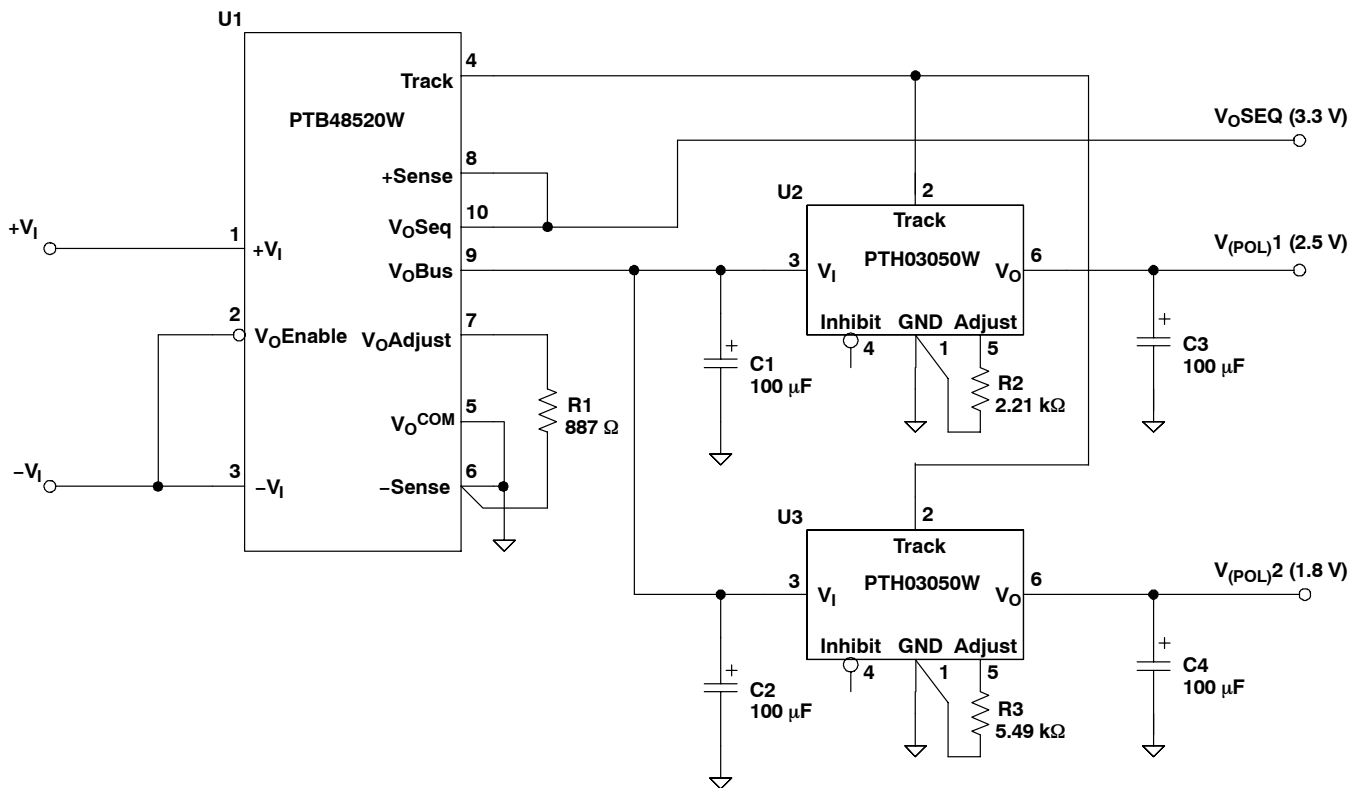


Figure 9. Power-Up Waveforms with POL Modules



**Figure 10. Power-Up Sequencing With Non-Isolated POL Modules**

### Stand-Alone Operation

The wide output voltage adjust range makes the PTB48520W an attractive product as a stand-alone dc/dc converter. In these applications, it is not required to power up or sequence with any non-isolated POL modules. The output voltage can be adjusted to any value over the range, 1.8 V to 3.6 V, and the Auto-Track features simply disregarded.

Figure 11 shows the recommended configuration when the module is used as a stand-alone converter. In this case, a sequenced output voltage is not required, and the main output ( $V_O$  Bus) can be used to supply the load. Both the Track pin and the  $V_O$  Seq output are simply left open circuit. The (+)Sense pin is connected to the  $V_O$  Bus output for improved load regulation.

When the converter is operated in this mode, the output from  $V_O$  Bus rises promptly on power up. The converter also exhibits slightly less power dissipation along with a corresponding improvement in operating efficiency.

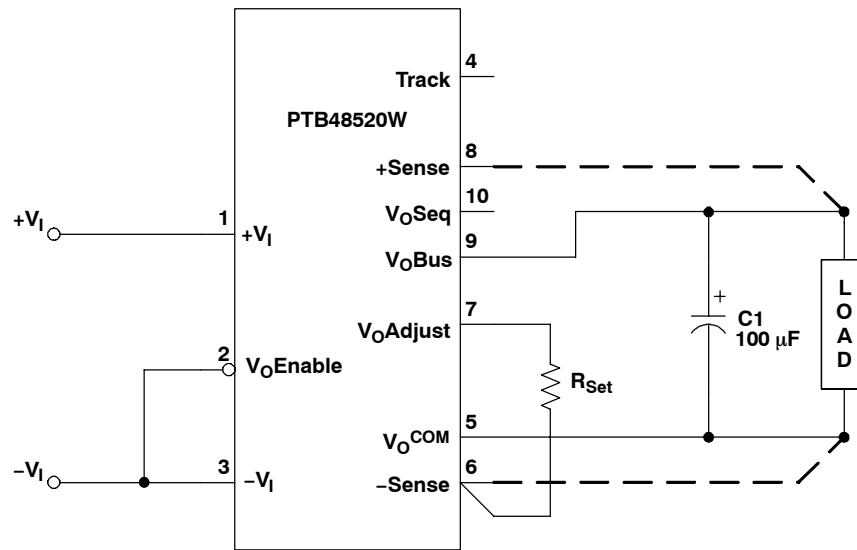


Figure 11. Stand-Alone Configuration

**PACKAGING INFORMATION**

Orderable Device	Status <sup>(1)</sup>	Package Type	Package Drawing	Pins	Package Qty	Eco Plan <sup>(2)</sup>	Lead/ Ball Finish	MSL Peak Temp <sup>(3)</sup>	Samples (Requires Login)
PTB48520WAH	NRND	Through-Hole Module	ERP	10	9	Pb-Free (RoHS)	SN	N / A for Pkg Type	
PTB48520WAS	NRND	Surface Mount Module	ERQ	10	9	TBD	SNPB	Level-1-235C-UNLIM/ Level-3-260C-168HRS	
PTB48520WAZ	NRND	Surface Mount Module	ERQ	10	9	Pb-Free (RoHS)	SNAGCU	Level-3-260C-168 HR	

<sup>(1)</sup> The marketing status values are defined as follows:

**ACTIVE:** Product device recommended for new designs.

**LIFEBUY:** TI has announced that the device will be discontinued, and a lifetime-buy period is in effect.

**NRND:** Not recommended for new designs. Device is in production to support existing customers, but TI does not recommend using this part in a new design.

**PREVIEW:** Device has been announced but is not in production. Samples may or may not be available.

**OBSOLETE:** TI has discontinued the production of the device.

<sup>(2)</sup> Eco Plan - The planned eco-friendly classification: Pb-Free (RoHS), Pb-Free (RoHS Exempt), or Green (RoHS & no Sb/Br) - please check <http://www.ti.com/productcontent> for the latest availability information and additional product content details.

**TBD:** The Pb-Free/Green conversion plan has not been defined.

**Pb-Free (RoHS):** TI's terms "Lead-Free" or "Pb-Free" mean semiconductor products that are compatible with the current RoHS requirements for all 6 substances, including the requirement that lead not exceed 0.1% by weight in homogeneous materials. Where designed to be soldered at high temperatures, TI Pb-Free products are suitable for use in specified lead-free processes.

**Pb-Free (RoHS Exempt):** This component has a RoHS exemption for either 1) lead-based flip-chip solder bumps used between the die and package, or 2) lead-based die adhesive used between the die and leadframe. The component is otherwise considered Pb-Free (RoHS compatible) as defined above.

**Green (RoHS & no Sb/Br):** TI defines "Green" to mean Pb-Free (RoHS compatible), and free of Bromine (Br) and Antimony (Sb) based flame retardants (Br or Sb do not exceed 0.1% by weight in homogeneous material)

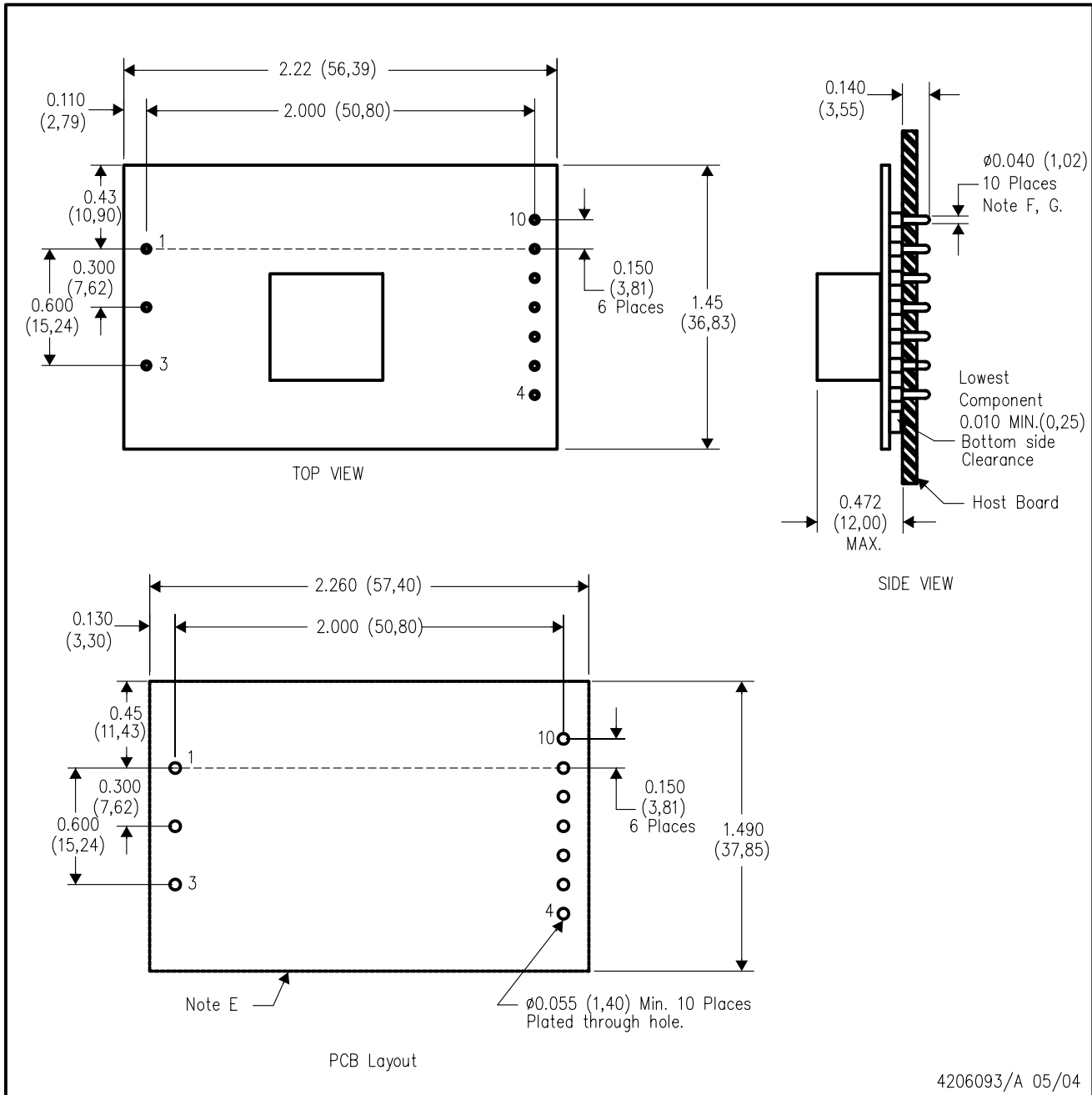
<sup>(3)</sup> MSL, Peak Temp. -- The Moisture Sensitivity Level rating according to the JEDEC industry standard classifications, and peak solder temperature.

**Important Information and Disclaimer:** The information provided on this page represents TI's knowledge and belief as of the date that it is provided. TI bases its knowledge and belief on information provided by third parties, and makes no representation or warranty as to the accuracy of such information. Efforts are underway to better integrate information from third parties. TI has taken and continues to take reasonable steps to provide representative and accurate information but may not have conducted destructive testing or chemical analysis on incoming materials and chemicals. TI and TI suppliers consider certain information to be proprietary, and thus CAS numbers and other limited information may not be available for release.

In no event shall TI's liability arising out of such information exceed the total purchase price of the TI part(s) at issue in this document sold by TI to Customer on an annual basis.

ERP (R-PDSS-T10)

DOUBLE SIDED MODULE



4206093/A 05/04

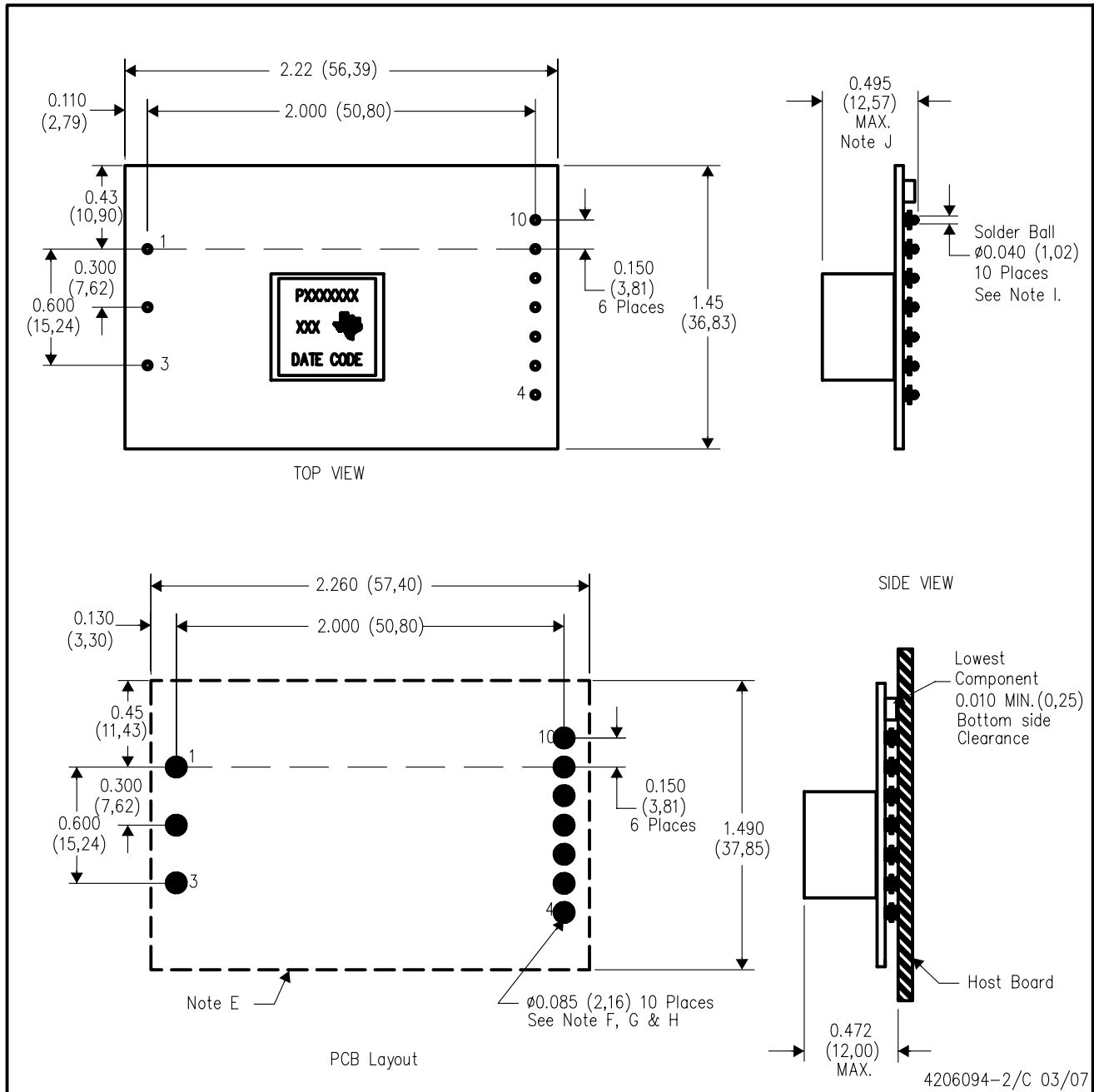
- NOTES:
- A. All linear dimensions are in inches (mm).
  - B. This drawing is subject to change without notice.
  - C. 2 place decimals are  $\pm 0.020$  ( $\pm 0,51$ mm).
  - D. 3 place decimals are  $\pm 0.010$  ( $\pm 0,25$ mm).
  - E. Recommended keep out area for user components.

- F. Pins are 0.040" (1,02) diameter with 0.070" (1,78) diameter standoff shoulder.
- G. All pins: Material - Copper Alloy  
Finish - Tin (100%) over Nickel plate



ERQ (R-PDSS-T10)

DOUBLE SIDED MODULE



- NOTES:
- A. All linear dimensions are in inches (mm).
  - B. This drawing is subject to change without notice.
  - C. 2 place decimals are  $\pm 0.020$  ( $\pm 0,51$ mm).
  - D. 3 place decimals are  $\pm 0.010$  ( $\pm 0,25$ mm).
  - E. Recommended keep out area for user components.
  - F. Power pin connection should utilize four or more vias to the interior power plane of 0.025 (0,63) I.D. per input, ground and output pin (or the electrical equivalent).
  - G. Paste screen opening: 0.080 (2,03) to 0.085 (2,16).  
Paste screen thickness: 0.006 (0,15).
  - H. Pad type: Solder mask defined.
  - I. All pins: Material – Copper Alloy  
Finish – Tin (100%) over Nickel plate  
Solder Ball – See product data sheet.
  - J. Dimension prior to reflow solder.

## IMPORTANT NOTICE

Texas Instruments Incorporated and its subsidiaries (TI) reserve the right to make corrections, enhancements, improvements and other changes to its semiconductor products and services per JESD46C and to discontinue any product or service per JESD48B. Buyers should obtain the latest relevant information before placing orders and should verify that such information is current and complete. All semiconductor products (also referred to herein as "components") are sold subject to TI's terms and conditions of sale supplied at the time of order acknowledgment.

TI warrants performance of its components to the specifications applicable at the time of sale, in accordance with the warranty in TI's terms and conditions of sale of semiconductor products. Testing and other quality control techniques are used to the extent TI deems necessary to support this warranty. Except where mandated by applicable law, testing of all parameters of each component is not necessarily performed.

TI assumes no liability for applications assistance or the design of Buyers' products. Buyers are responsible for their products and applications using TI components. To minimize the risks associated with Buyers' products and applications, Buyers should provide adequate design and operating safeguards.

TI does not warrant or represent that any license, either express or implied, is granted under any patent right, copyright, mask work right, or other intellectual property right relating to any combination, machine, or process in which TI components or services are used. Information published by TI regarding third-party products or services does not constitute a license to use such products or services or a warranty or endorsement thereof. Use of such information may require a license from a third party under the patents or other intellectual property of the third party, or a license from TI under the patents or other intellectual property of TI.

Reproduction of significant portions of TI information in TI data books or data sheets is permissible only if reproduction is without alteration and is accompanied by all associated warranties, conditions, limitations, and notices. TI is not responsible or liable for such altered documentation. Information of third parties may be subject to additional restrictions.

Resale of TI components or services with statements different from or beyond the parameters stated by TI for that component or service voids all express and any implied warranties for the associated TI component or service and is an unfair and deceptive business practice. TI is not responsible or liable for any such statements.

Buyer acknowledges and agrees that it is solely responsible for compliance with all legal, regulatory and safety-related requirements concerning its products, and any use of TI components in its applications, notwithstanding any applications-related information or support that may be provided by TI. Buyer represents and agrees that it has all the necessary expertise to create and implement safeguards which anticipate dangerous consequences of failures, monitor failures and their consequences, lessen the likelihood of failures that might cause harm and take appropriate remedial actions. Buyer will fully indemnify TI and its representatives against any damages arising out of the use of any TI components in safety-critical applications.

In some cases, TI components may be promoted specifically to facilitate safety-related applications. With such components, TI's goal is to help enable customers to design and create their own end-product solutions that meet applicable functional safety standards and requirements. Nonetheless, such components are subject to these terms.

No TI components are authorized for use in FDA Class III (or similar life-critical medical equipment) unless authorized officers of the parties have executed a special agreement specifically governing such use.

Only those TI components which TI has specifically designated as military grade or "enhanced plastic" are designed and intended for use in military/aerospace applications or environments. Buyer acknowledges and agrees that any military or aerospace use of TI components which have **not** been so designated is solely at the Buyer's risk, and that Buyer is solely responsible for compliance with all legal and regulatory requirements in connection with such use.

TI has specifically designated certain components which meet ISO/TS16949 requirements, mainly for automotive use. Components which have not been so designated are neither designed nor intended for automotive use; and TI will not be responsible for any failure of such components to meet such requirements.

### Products

Audio	<a href="http://www.ti.com/audio">www.ti.com/audio</a>
Amplifiers	<a href="http://amplifier.ti.com">amplifier.ti.com</a>
Data Converters	<a href="http://dataconverter.ti.com">dataconverter.ti.com</a>
DLP® Products	<a href="http://www.dlp.com">www.dlp.com</a>
DSP	<a href="http://dsp.ti.com">dsp.ti.com</a>
Clocks and Timers	<a href="http://www.ti.com/clocks">www.ti.com/clocks</a>
Interface	<a href="http://interface.ti.com">interface.ti.com</a>
Logic	<a href="http://logic.ti.com">logic.ti.com</a>
Power Mgmt	<a href="http://power.ti.com">power.ti.com</a>
Microcontrollers	<a href="http://microcontroller.ti.com">microcontroller.ti.com</a>
RFID	<a href="http://www.ti-rfid.com">www.ti-rfid.com</a>
OMAP Mobile Processors	<a href="http://www.ti.com/omap">www.ti.com/omap</a>
Wireless Connectivity	<a href="http://www.ti.com/wirelessconnectivity">www.ti.com/wirelessconnectivity</a>

### Applications

Automotive and Transportation	<a href="http://www.ti.com/automotive">www.ti.com/automotive</a>
Communications and Telecom	<a href="http://www.ti.com/communications">www.ti.com/communications</a>
Computers and Peripherals	<a href="http://www.ti.com/computers">www.ti.com/computers</a>
Consumer Electronics	<a href="http://www.ti.com/consumer-apps">www.ti.com/consumer-apps</a>
Energy and Lighting	<a href="http://www.ti.com/energy">www.ti.com/energy</a>
Industrial	<a href="http://www.ti.com/industrial">www.ti.com/industrial</a>
Medical	<a href="http://www.ti.com/medical">www.ti.com/medical</a>
Security	<a href="http://www.ti.com/security">www.ti.com/security</a>
Space, Avionics and Defense	<a href="http://www.ti.com/space-avionics-defense">www.ti.com/space-avionics-defense</a>
Video and Imaging	<a href="http://www.ti.com/video">www.ti.com/video</a>

**TI E2E Community** [e2e.ti.com](http://e2e.ti.com)