

Precision Quad Supply and Line Monitor

FEATURES

- Inputs for Monitoring Up to Four Supply Voltages
- Two Inputs Preset for -5V and -12V Monitoring, or Programmable Positive Levels
- Precision 2.5V Reference
- Separate Inputs for Over-Current and Line Fault Sensing
- Adjustable Under- to Over-Voltage Fault Windows
- Latched Over-Voltage and Over-Current Output
- Power Good and Power Warning Outputs
- Auto Restart Function with ON/OFF Control, and Programmable Delay
- Programmable Pwr On Reset Delay

DESCRIPTION

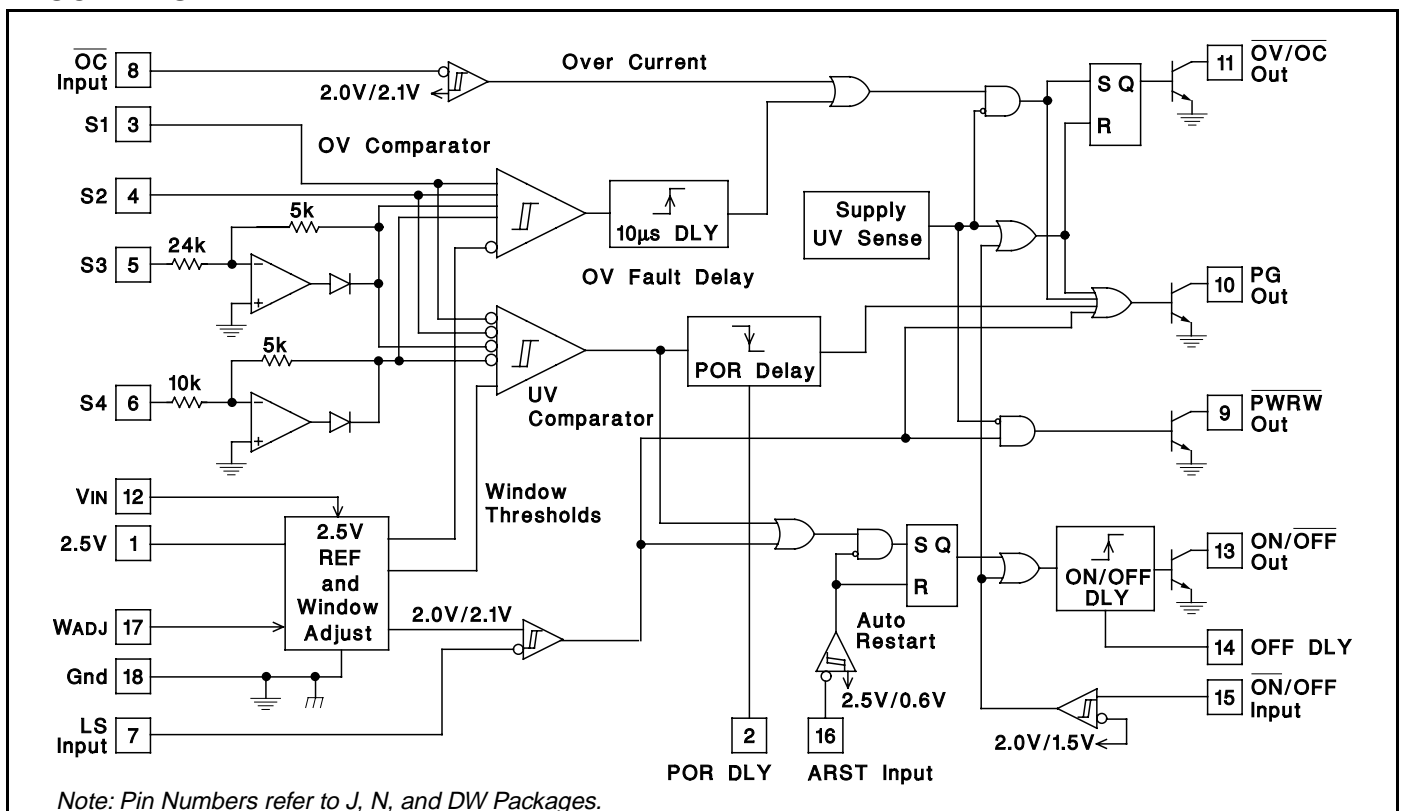
The UC1904 Quad Supply Monitor will respond to under- and over-voltage conditions on up to four continuously monitored voltage levels. Four independent positive voltages can be monitored or, alternatively, two of the sense inputs are preset to monitor -5V and -12V supplies. The device also monitors Over-Current and Line Sense inputs, both with precision input thresholds.

Four open collector outputs on the UC1904 give the following responses: 1. The $\overline{OV/OC}$ output is a latched over-voltage, or over-current response. 2. A Power Good signal responds low with any fault detection – on power-up a programmable delay is used to hold this output low for a system Power On Reset signal. 3. The \overline{PWRW} output responds only to a Line Sense input, for early warning of power failures. 4. The last open collector, the $\overline{ON/OFF}$ output, generates a delayed supply OFF control signal in response to an OFF input command, under-voltage condition, or line fault detection.

The OV-UV fault window is adjustable with a programming input. The thresholds are centered around the precision 2.5V reference, with a scaled hysteresis for precise, glitch free operation. In the positive mode of operation, the fault windows at each of the sense inputs can be independently scaled using external resistors and the 2.5V reference output. An Auto Restart function couples with the under-voltage and line sensing circuits to allow controlled power supply start-up and shutdown.

This device will operate over a supply range of 4.75V to 18V. The device is available in a DIP, SOIC, or PLCC outline. This device is ESD protected on all pins.

BLOCK DIAGRAM

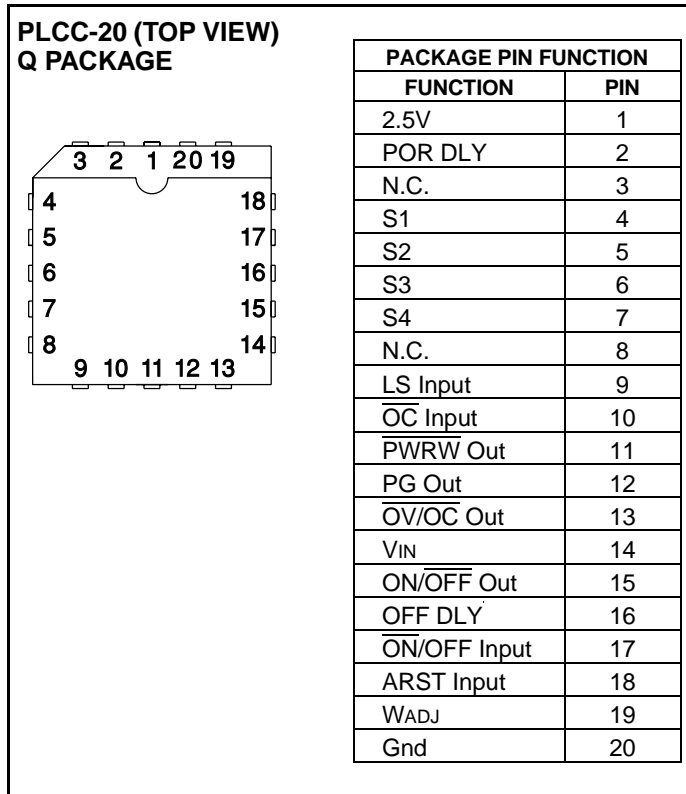
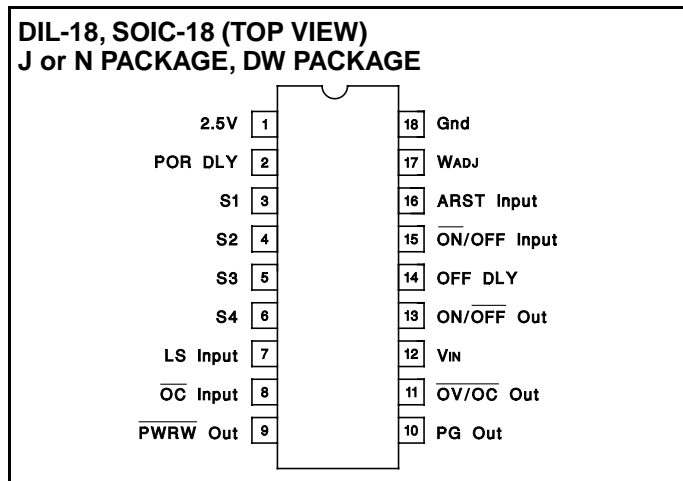


ABSOLUTE MAXIMUM RATINGS (Note 1)

Input Supply Voltage	20V
Sense Inputs, S1 And S2, Other Analog And Logic Inputs	
Maximum Forced Voltage	-0.3V to 10V
Maximum Forced Current	±10mA
Sense Input S3, (-12V Sense Input)	
Maximum Forced Voltage	-18V to 10V
Maximum Forced Current	±10mA
Sense Input S4, (-5V Sense Input)	
Maximum Forced Voltage	-10V to 10V
Maximum Forced Current	±10mA
Open Collector Outputs	
Maximum Voltage	20V
Maximum Current	50mA
Reference Output Current	Internally Limited
Operating Junction Temperature	-55°C to +150°C
Storage Temperature	-65°C to +150°C

Note 1: Unless otherwise indicated, voltages are reference to ground and currents are positive into, negative out of, the specified terminals.

CONNECTION DIAGRAMS



ELECTRICAL CHARACTERISTICS: Unless otherwise stated, these specifications hold for $T_A = 0$ to 70°C for the UC3904, -40 to $+85^\circ\text{C}$ for the UC2904, and -55 to $+125^\circ\text{C}$ for the UC1904, $+V_{IN} = 15\text{V}$, $W_{ADJ} = 0.5\text{V}$, Sense Inputs 1-4, OC and LS Inputs = 2.5V . The ON/OFF Input and the ARST Input = 0V .

PARAMETER	TEST CONDITIONS	MIN	TYP	MAX	UNITS
Input Supply					
V_{IN} Supply Current	$V_{IN} = 15\text{V}$		3.2	4.5	mA
V_{IN} UVLO Threshold	Low to High		4.5	4.75	V
UVLO Threshold Hysteresis			50		mV
Minimum V_{IN} to Enable PG Out			0.8	1.5	V
Reference					
Output Voltage(V_{REF})	$T_J = 25^\circ\text{C}$	2.475	2.5	2.525	V
	Over Temperature, UC3904	2.47		2.53	V
	Over Temperature, UC2904 & UC1904	2.465		2.535	V
Load Regulation	$I_{OUT} = 0$ to 4mA			6	mV
Line Regulation	$V_{IN} = 4.75$ to 18V			5	mV
Short Circuit Current	$V_{REF} = 0\text{V}$		17		mA
OV UV Window, LS Input, OC Input, ARST Input, and ON/OFF Input Thresholds					
Over-Voltage Thresholds S1, S2	$W_{ADJ} = 0.25\text{V}$, Offset from V_{REF} , Input L to H	110	125	140	mV
	$W_{ADJ} = 0.5\text{V}$, Offset from V_{REF} , Input L to H	230	250	270	mV
	$W_{ADJ} = 1\text{V}$, Offset from V_{REF} , Input L to H	460	500	540	mV
Over-Voltage Thresholds S3, S4 Positive Mode	$W_{ADJ} = 0.25\text{V}$, Offset from V_{REF} , Input L to H	110	125	145	mV
	$W_{ADJ} = 0.5\text{V}$, Offset from V_{REF} , Input L to H	230	250	280	mV
	$W_{ADJ} = 1\text{V}$, Offset from V_{REF} , Input L to H	460	500	550	mV

ELECTRICAL CHARACTERISTICS (cont):

Unless otherwise stated, these specifications hold for $T_A = 0$ to 70°C for the UC3904, -40 to $+85^\circ\text{C}$ for the UC2904, and -55 to $+125^\circ\text{C}$ for the UC1904, $+V_{IN} = 15\text{V}$, $W_{ADJ} = 0.5\text{V}$, Sense Inputs 1-4, $\overline{\text{OC}}$ and LS Inputs = 2.5V . The $\overline{\text{ON/OFF}}$ Input and the ARST Input = 0V .

PARAMETER	TEST CONDITIONS	MIN	TYP	MAX	UNITS
OV UV Window, LS Input, OC Input, ARST Input, and $\overline{\text{ON/OFF}}$ Input Thresholds (cont.)					
Under-Voltage Thresholds S1, S2	$W_{ADJ} = 0.25\text{V}$, Offset from V_{REF} , Input H to L	-140	-125	-110	mV
	$W_{ADJ} = 0.5\text{V}$, Offset from V_{REF} , Input H to L	-270	-250	-230	mV
	$W_{ADJ} = 1\text{V}$, Offset from V_{REF} , Input H to L	-540	-500	-460	mV
Under-Voltage Thresholds S3, S4 Positive Mode	$W_{ADJ} = 0.25\text{V}$, Offset from V_{REF} , Input H to L	-150	-125	-110	mV
	$W_{ADJ} = 0.5\text{V}$, Offset from V_{REF} , Input H to L	-285	-250	-230	mV
	$W_{ADJ} = 1\text{V}$, Offset from V_{REF} , Input H to L	-555	-500	-460	mV
OV and UV Threshold Hysteresis	As a Function of W_{ADJ}	30	50	70	mV/V
S3 Negative Mode Thresholds	Over-Voltage, $W_{ADJ} = 0.5\text{V}$, Input H to L	-13.52	-13.2	-12.88	V
	Under-Voltage, $W_{ADJ} = 0.5\text{V}$, Input L to H	-11.06	-10.8	-10.54	V
	Hysteresis, $W_{ADJ} = 0.5\text{V}$	80	120	160	mV
S4 Negative Mode Thresholds	Over-Voltage, $W_{ADJ} = 0.5\text{V}$, Input H to L	-5.63	-5.5	-5.37	V
	Under-Voltage, $W_{ADJ} = 0.5\text{V}$, Input L to H	-4.61	-4.5	-4.39	V
	Hysteresis, $W_{ADJ} = 0.5\text{V}$	30	50	70	mV
W_{ADJ} Input Bias Current	$0.25\text{V} < W_{ADJ} < 1.0\text{V}$	-5		5	$\mu\text{A/V}$
LS Threshold	Input = H to L	1.96	2	2.04	V
	Threshold hysteresis	65	100	125	mV
$\overline{\text{OC}}$ Threshold	Input = H to L	1.9	2	2.1	V
	Threshold hysteresis	50	100	150	mV
ARST Input Threshold	Input = L to H	2.25	2.5	2.75	V
	Input = H to L	0.56	0.625	0.69	V
$\overline{\text{ON/OFF}}$ Input Threshold	Input high level		1.74	2.4	V
	Input low level	0.6	1.35		V
Sense and Logic Input Bias Currents					
Sense 1-4, Positive Mode	Input = 2.8V		250	800	nA
	Input = 2.2V	-1000	-250		nA
Sense 3 Negative Mode	Input = -12V	-700	-500	-300	μA
Sense 4 Negative Mode	Input = -5V	-700	-500	-300	μA
Line, and OC Inputs	Input = 2.2V		300	1000	nA
$\overline{\text{ON/OFF}}$ Input	Input = 2.5V		150	600	nA
ARST Input	Input = 0.5	-2000	-700		nA
Open Collector Outputs ($\overline{\text{OV/OC}}$ Out, PG Out, $\overline{\text{PWRW}}$ Out, $\overline{\text{ON/OFF}}$ Out)					
Saturation Voltage	$I_{OUT} = 10\text{mA}$		0.2	0.4	V
Leakage current	$V_{OUT} = 20\text{V}$			5	μA
POR Delay					
Delay		160	250	350	ms/ μF
Internal Pullup Current			9		μA
Threshold Low to High			2.25		V
OFF Delay					
Delay		120	185	250	ms/ μF
Internal Pullup current			12		μA
Threshold Low to High			2.25		V
OV Fault Delay					
Delay		10	20	50	μs

PIN FUNCTIONAL DESCRIPTION

2.5V: This is the output of the precision 2.5V reference.

ARST Input: This input, with a 4:1 hysteretic threshold, is used to sequence a power system through the **Auto ReStarT** cycle. A delayed representation of a supply output voltage is used at this pin to provide adequate startup time for the power system, and a minimum power-off period.

Gnd: Reference point for the internal reference and all thresholds, as well as the return for the remainder of the device.

LS Input: The **Line Sense** input is used to monitor a voltage that varies with the input line voltage to a system. The input is compared to a precision 2.0V level and is used to activate the **PWRW** and **PG** outputs, as well as triggering the Auto Restart sequence.

OC Input: The **Over-Current** input can be used to respond to an inverted over-current signal. A low level signal at this input latches in a fault indication at the **OV/OC** output.

OFF DLY: This pin functions similarly to the **POR DLY** pin to delay the turn-on of the **ON/OFF** output transistor. The charging current and upper threshold are 12 μ A and 2.1V.

ON/OFF Input: With a high level at this input the **ON/OFF Out** pin is activated after a user-programmable delay. A high level also activates the **PG Out** pin, and resets the **OV/OC** fault latch.

On/Off Out: This output is an open collector output that is activated by the **ON/OFF Input**, or the Auto Restart circuitry. Saturation voltage on this and all the open collector outputs is rated at 10mA of current.

OV/OC Out: In response to either an **Over-Voltage** or **Over-Current** situation this output is latched active low. There is nominal 20 μ s delay in the OV path to the fault latch, providing rejection to transient overshooting on the monitored voltages. The low condition is cleared when

the fault latch is reset by the **ON/OFF Input**, or a **UVLO** condition on the device.

POR DLY: This pin is used, with an external capacitor, to program a **Power-On-Reset** delay. This delay is reset whenever there is a UV condition at one of the S1-S4 inputs, and then triggered upon the clearing of the UV condition. When reset, the voltage across the capacitor is quickly discharged to near zero volts, and the **PG Out** pin goes active low. Once triggered the capacitor is charged by a 9 μ A current source. The **PG Out** pin remains active low until the delay capacitor voltage reaches a 2.1V threshold.

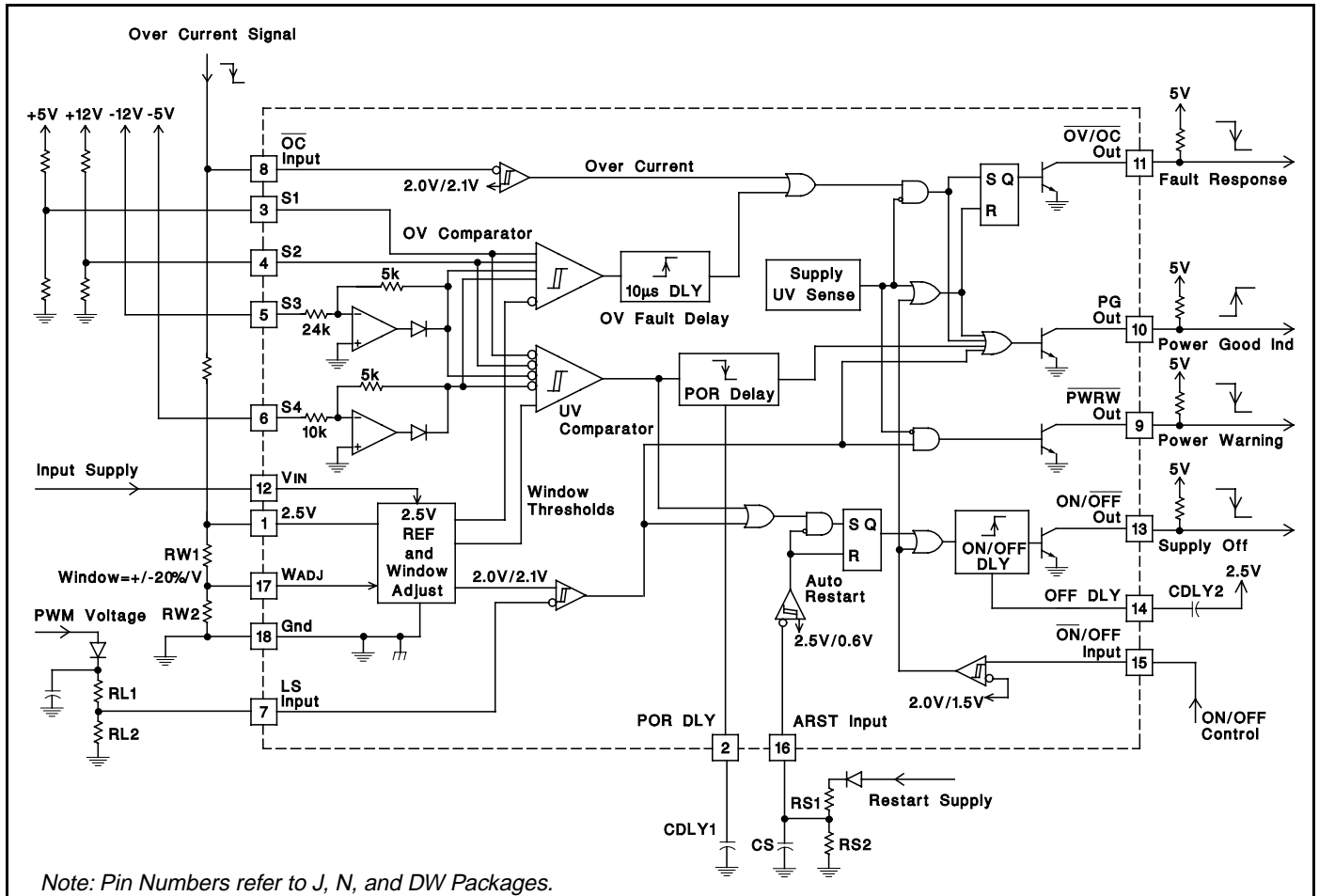
PG Out: During any fault, under-voltage, or UVLO condition this output is low. A **Power Good** indication (output off) is given when all supply conditions are within defined operating limits. During power-up the **PG** signal is delayed by a programmable **Power On Reset** delay. During **UVLO** the output is active low as long as the input supply, **VIN**, is above approximately 1.0V.

PWRW Out: When a low line condition is sensed by the **LS Input** this output goes low. This output is disabled (off) during a **UVLO** condition.

S1-S4: These are the sense inputs for OV and UV monitoring of external voltages. All four inputs can be used to sense positive voltages with a simple divider to scale the voltage level to the 2.5V centered window. The **S3** and **S4** inputs can also be used to sense -12V and -5V supplies respectively with no external components. This is done with internal precision resistor dividers and two source only op-amps that are disabled when the pins are used in the positive mode.

VIN: Input supply for the UC1904. The device is operational with 4.75V to 18V on this pin.

WADJ: The **WADJ** input is used to program the OV and UV window thresholds. The OV-UV window is centered around the 2.5V reference and is nominally $\pm 20\%$ per volt on the **WADJ** input pin.



PACKAGING INFORMATION

Orderable Device	Status ⁽¹⁾	Package Type	Package Drawing	Pins	Package Qty	Eco Plan ⁽²⁾	Lead/Ball Finish	MSL Peak Temp ⁽³⁾
UC2904DW	OBSOLETE	SOIC	DW	18		TBD	Call TI	Call TI
UC2904DWTR	OBSOLETE	SOIC	DW	16		TBD	Call TI	Call TI
UC2904N	OBSOLETE	PDIP	N	18		TBD	Call TI	Call TI
UC2904Q	OBSOLETE	PLCC	FN	20		TBD	Call TI	Call TI
UC2904QTR	OBSOLETE	PLCC	FN	20		TBD	Call TI	Call TI
UC3904DW	OBSOLETE	SOIC	DW	18		TBD	Call TI	Call TI
UC3904DWTR	OBSOLETE	SOIC	DW	18		TBD	Call TI	Call TI
UC3904N	OBSOLETE	PDIP	N	18		TBD	Call TI	Call TI

⁽¹⁾ The marketing status values are defined as follows:

ACTIVE: Product device recommended for new designs.

LIFEBUY: TI has announced that the device will be discontinued, and a lifetime-buy period is in effect.

NRND: Not recommended for new designs. Device is in production to support existing customers, but TI does not recommend using this part in a new design.

PREVIEW: Device has been announced but is not in production. Samples may or may not be available.

OBSOLETE: TI has discontinued the production of the device.

⁽²⁾ Eco Plan - The planned eco-friendly classification: Pb-Free (RoHS), Pb-Free (RoHS Exempt), or Green (RoHS & no Sb/Br) - please check <http://www.ti.com/productcontent> for the latest availability information and additional product content details.

TBD: The Pb-Free/Green conversion plan has not been defined.

Pb-Free (RoHS): TI's terms "Lead-Free" or "Pb-Free" mean semiconductor products that are compatible with the current RoHS requirements for all 6 substances, including the requirement that lead not exceed 0.1% by weight in homogeneous materials. Where designed to be soldered at high temperatures, TI Pb-Free products are suitable for use in specified lead-free processes.

Pb-Free (RoHS Exempt): This component has a RoHS exemption for either 1) lead-based flip-chip solder bumps used between the die and package, or 2) lead-based die adhesive used between the die and leadframe. The component is otherwise considered Pb-Free (RoHS compatible) as defined above.

Green (RoHS & no Sb/Br): TI defines "Green" to mean Pb-Free (RoHS compatible), and free of Bromine (Br) and Antimony (Sb) based flame retardants (Br or Sb do not exceed 0.1% by weight in homogeneous material)

⁽³⁾ MSL, Peak Temp. -- The Moisture Sensitivity Level rating according to the JEDEC industry standard classifications, and peak solder temperature.

Important Information and Disclaimer:The information provided on this page represents TI's knowledge and belief as of the date that it is provided. TI bases its knowledge and belief on information provided by third parties, and makes no representation or warranty as to the accuracy of such information. Efforts are underway to better integrate information from third parties. TI has taken and continues to take reasonable steps to provide representative and accurate information but may not have conducted destructive testing or chemical analysis on incoming materials and chemicals. TI and TI suppliers consider certain information to be proprietary, and thus CAS numbers and other limited information may not be available for release.

In no event shall TI's liability arising out of such information exceed the total purchase price of the TI part(s) at issue in this document sold by TI to Customer on an annual basis.

IMPORTANT NOTICE

Texas Instruments Incorporated and its subsidiaries (TI) reserve the right to make corrections, modifications, enhancements, improvements, and other changes to its products and services at any time and to discontinue any product or service without notice. Customers should obtain the latest relevant information before placing orders and should verify that such information is current and complete. All products are sold subject to TI's terms and conditions of sale supplied at the time of order acknowledgment.

TI warrants performance of its hardware products to the specifications applicable at the time of sale in accordance with TI's standard warranty. Testing and other quality control techniques are used to the extent TI deems necessary to support this warranty. Except where mandated by government requirements, testing of all parameters of each product is not necessarily performed.

TI assumes no liability for applications assistance or customer product design. Customers are responsible for their products and applications using TI components. To minimize the risks associated with customer products and applications, customers should provide adequate design and operating safeguards.

TI does not warrant or represent that any license, either express or implied, is granted under any TI patent right, copyright, mask work right, or other TI intellectual property right relating to any combination, machine, or process in which TI products or services are used. Information published by TI regarding third-party products or services does not constitute a license from TI to use such products or services or a warranty or endorsement thereof. Use of such information may require a license from a third party under the patents or other intellectual property of the third party, or a license from TI under the patents or other intellectual property of TI.

Reproduction of TI information in TI data books or data sheets is permissible only if reproduction is without alteration and is accompanied by all associated warranties, conditions, limitations, and notices. Reproduction of this information with alteration is an unfair and deceptive business practice. TI is not responsible or liable for such altered documentation. Information of third parties may be subject to additional restrictions.

Resale of TI products or services with statements different from or beyond the parameters stated by TI for that product or service voids all express and any implied warranties for the associated TI product or service and is an unfair and deceptive business practice. TI is not responsible or liable for any such statements.

TI products are not authorized for use in safety-critical applications (such as life support) where a failure of the TI product would reasonably be expected to cause severe personal injury or death, unless officers of the parties have executed an agreement specifically governing such use. Buyers represent that they have all necessary expertise in the safety and regulatory ramifications of their applications, and acknowledge and agree that they are solely responsible for all legal, regulatory and safety-related requirements concerning their products and any use of TI products in such safety-critical applications, notwithstanding any applications-related information or support that may be provided by TI. Further, Buyers must fully indemnify TI and its representatives against any damages arising out of the use of TI products in such safety-critical applications.

TI products are neither designed nor intended for use in military/aerospace applications or environments unless the TI products are specifically designated by TI as military-grade or "enhanced plastic." Only products designated by TI as military-grade meet military specifications. Buyers acknowledge and agree that any such use of TI products which TI has not designated as military-grade is solely at the Buyer's risk, and that they are solely responsible for compliance with all legal and regulatory requirements in connection with such use.

TI products are neither designed nor intended for use in automotive applications or environments unless the specific TI products are designated by TI as compliant with ISO/TS 16949 requirements. Buyers acknowledge and agree that, if they use any non-designated products in automotive applications, TI will not be responsible for any failure to meet such requirements.

Following are URLs where you can obtain information on other Texas Instruments products and application solutions:

Products

Amplifiers	amplifier.ti.com
Data Converters	dataconverter.ti.com
DSP	dsp.ti.com
Clocks and Timers	www.ti.com/clocks
Interface	interface.ti.com
Logic	logic.ti.com
Power Mgmt	power.ti.com
Microcontrollers	microcontroller.ti.com
RFID	www.ti-rfid.com
RF/IF and ZigBee® Solutions	www.ti.com/lprf

Applications

Audio	www.ti.com/audio
Automotive	www.ti.com/automotive
Broadband	www.ti.com/broadband
Digital Control	www.ti.com/digitalcontrol
Medical	www.ti.com/medical
Military	www.ti.com/military
Optical Networking	www.ti.com/opticalnetwork
Security	www.ti.com/security
Telephony	www.ti.com/telephony
Video & Imaging	www.ti.com/video
Wireless	www.ti.com/wireless

Mailing Address: Texas Instruments, Post Office Box 655303, Dallas, Texas 75265
Copyright © 2008, Texas Instruments Incorporated