



## 1.6-A, 1.25-MHz BUCK CONVERTER IN A 3 mm × 3 mm SON PACKAGE

### FEATURES

- Input Voltage Range 4.5 V<sub>DC</sub> to 8 V<sub>DC</sub>
- Output Voltage (0.8 V to 90% V<sub>IN</sub>)
- 0 A to 1.6 A Current Capability
- Fixed 1.25-MHz Switching Frequency
- Reference 0.8 V ±1%
- Internal 250 mΩ N-Channel MOSFET Switch
- Current Mode Control with Internal Slope Compensation
- Internal Soft-Start
- Internal Loop Compensation
- Short Circuit Protection
- Thermal Shutdown
- High Efficiency Up to 92%
- Small 3 mm × 3 mm SON Package

### APPLICATIONS

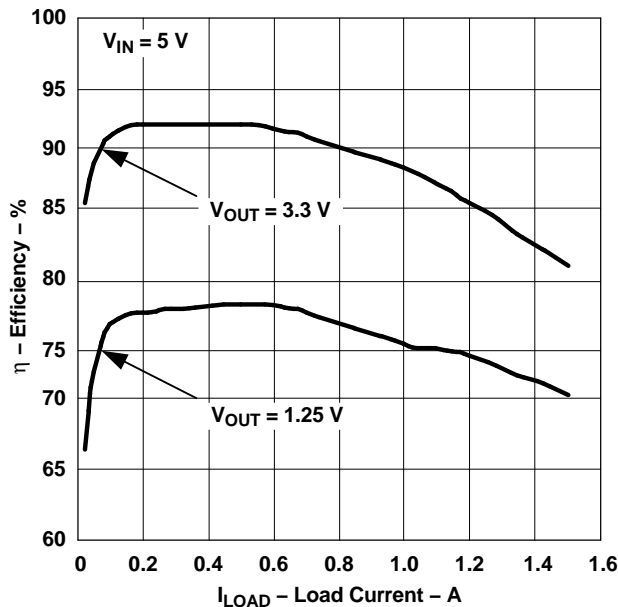
- Disk Drives
- Set Top Box
- Point of Load Power
- ASIC Power Supplies

### DESCRIPTION

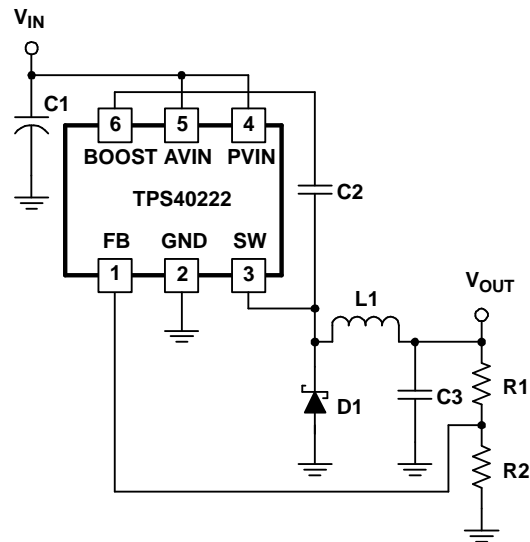
The TPS40222 is a fixed-frequency, current-mode, non-synchronous buck converter optimized for applications powered by a 5-V distributed source. With internally determined operating frequency, soft-start time, and control loop compensation, the TPS40222 provides many features with a minimum of external components.

The TPS40222 operates at 1.25 MHz and supports up to 1.6-A output loads. The output voltage can be programmed to as low as 0.8 V. The TPS40222 utilizes pulse-by-pulse current limit as well as frequency foldback to protect the converter during a catastrophic short circuited output condition.

TYPICAL EFFICIENCY  
VS  
LOAD CURRENT



SIMPLIFIED APPLICATION DIAGRAM



UDG-04135



Please be aware that an important notice concerning availability, standard warranty, and use in critical applications of Texas Instruments semiconductor products and disclaimers thereto appears at the end of this data sheet.



These devices have limited built-in ESD protection. The leads should be shorted together or the device placed in conductive foam during storage or handling to prevent electrostatic damage to the MOS gates.

**ORDERING INFORMATION**

| T <sub>J</sub> | OUTPUT VOLTAGE | PACKAGE           | PART NUMBER  | MEDIUM              | QTY  |
|----------------|----------------|-------------------|--------------|---------------------|------|
| -40°C to 125°C | Adjustable     | Plastic SON (DRP) | TPS40222DRPT | Small tape and reel | 250  |
|                |                |                   | TPS40222DRPR | Large tape and reel | 3000 |

**ABSOLUTE MAXIMUM RATINGS**

over free-air temperature range unless otherwise noted<sup>(1)</sup>

|   |                                      |                    | TPS40222   | UNIT |
|---|--------------------------------------|--------------------|------------|------|
| V <sub>IN</sub>                               | Input voltage range                  | BOOST              | 19         | V    |
|   |                                      | SW (50 ns maximum) | -5         |      |
|   |                                      | SW                 | -2 to 16   |      |
|   |                                      | AVIN, PVIN         | 10         |      |
|   |                                      | FB                 | -0.3 to 2  |      |
| I <sub>OUT</sub>                              | Output current source                | SW                 | 3.5        | A    |
| T <sub>J</sub>                                | Operating junction temperature range |                    | -40 to 160 | °C   |
| T <sub>stg</sub>                              | Storage temperature                  |                    | -65 to 165 |      |
| Case temperature for 10 seconds per JSTD-020C |                                      |                    | 260        |      |

(1) Stresses beyond those listed under "absolute maximum ratings" may cause permanent damage to the device. These are stress ratings only, and functional operation of the device at these or any other conditions beyond those indicated under "recommended operating conditions" is not implied. Exposure to absolute-maximum-rated conditions for extended periods may affect device reliability.

**RECOMMENDED OPERATING CONDITIONS**

|                  |                                |  | MIN | NOM | MAX | UNIT |
|------------------|--------------------------------|--|-----|-----|-----|------|
| V <sub>IN</sub>  | Input voltage                  |  | 4.5 |     | 8.0 | V    |
| I <sub>OUT</sub> | SW node output current         |  | 0   |     | 1.6 | A    |
| T <sub>J</sub>   | Operating junction temperature |  | -40 |     | 125 | °C   |

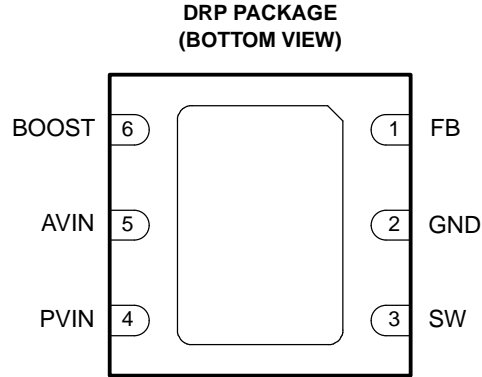
**ELECTROSTATIC DISCHARGE (ESD) PROTECTION**

|                  |  |  | MIN | MAX  | UNIT |
|------------------|--|--|-----|------|------|
| Human body model |  |  |     | 2500 | V    |
| CDM              |  |  |     | 1500 |      |

**ELECTRICAL CHARACTERISTICS**
 $T_J = -40^{\circ}\text{C}$  to  $125^{\circ}\text{C}$ ,  $4.5 \leq V_{AVIN} = V_{PVIN} \leq 5.5 \text{ V}$  (unless otherwise noted)

| PARAMETER                          |  | TEST CONDITIONS  | MIN  | TYP  | MAX  | UNIT               |
|------------------------------------|--|--|------|------|------|--------------------|
| <b>FEEDBACK VOLTAGE</b>            |  |  |      |      |      |                    |
| $V_{FB}$                           | Feedback voltage   | $T_J = 25^{\circ}\text{C}$ , No load   | 792  | 800  | 808  | mV                 |
|                                    |  | $-40^{\circ}\text{C} \leq T_J \leq 125^{\circ}\text{C}$ , No load,<br>$4.5\text{V} \leq V_{DD} \leq 7 \text{ V}$ | 788  |      | 812  |                    |
| $I_{FB}$                           | Feedback input bias current                                  | $V_{FB} = 0.9 \text{ V}$ , $V_{AVIN} = V_{PVIN} = 5 \text{ V}$   |      | 30   | 100  | nA                 |
| <b>SOFT-START</b>                  |  |  |      |      |      |                    |
| $t_{SS}$                           | Soft-start time  | $V_{AVIN} = V_{PVIN} = 5 \text{ V}$  | 300  | 550  | 850  | $\mu\text{s}$      |
| <b>Gm AMPLIFIER</b>                |  |  |      |      |      |                    |
| Gm                                 | Transconductance <sup>(1)</sup>                              |  |      | 10   |      | $\mu\text{S}$      |
| GBW                                | Gain bandwidth product <sup>(1)</sup>                        |  |      | 12   |      | MHz                |
| <b>OSCILLATOR</b>                  |  |  |      |      |      |                    |
| $f_{SW}$                           | Switching frequency  | $V_{FB} > 0.7 \text{ V}$   | 1.00 | 1.25 | 1.50 | MHz                |
| $f_{SWFB}$                         | Minimum foldback frequency                                   | Startup/Overcurrent, $V_{FB} = 0 \text{ V}$  | 75   | 140  |      | kHz                |
|                                    | Foldback frequency slope <sup>(1)</sup>                      | $0 \text{ V} < V_{FB} < 0.4 \text{ V}$   |      | 2200 |      |                    |
| $V_{FFB}$                          | Frequency foldback $V_{FB}$ threshold voltage <sup>(1)</sup> |  | 0.4  |      | 0.6  | V                  |
| <b>OVERCURRENT DETECTION</b>       |  |  |      |      |      |                    |
| $I_{CL}$                           | Overcurrent threshold  | $V_{AVIN} = V_{PVIN} = 5 \text{ V}$  | 2.1  | 2.6  | 3.1  | A                  |
| $t_{ON}$                           | Minimum on-time in overcurrent <sup>(1)</sup>                |  |      | 90   | 200  | ns                 |
| <b>HIGH SIDE MOSFET AND DRIVER</b> |  |  |      |      |      |                    |
| $R_{DS(on)}$                       | Drain-to-source on-resistance                                | $T_J = 25^{\circ}\text{C}$   |      | 250  |      | m $\Omega$         |
|                                    |  | $-40^{\circ}\text{C} \leq T_J \leq 125^{\circ}\text{C}$  |      | 250  | 550  |                    |
| $D_{MAX}$                          | Maximum duty cycle   |  | 90%  | 97%  |      |                    |
| $I_{SWL}$                          | MOSFET SW leakage current                                    | $V_{PVIN} = 10 \text{ V}$  |      | -10  | -30  | $\mu\text{A}$      |
| $I_{BOOST}$                        | Boost current  | $I_{SW} = 100 \text{ mA}$ , $V_{AVIN} = V_{PVIN} = 5 \text{ V}$  |      | 0.5  | 1.0  | mA                 |
|                                    | Boost diode voltage drop                                     | $I_{DIODE} \leq 5 \text{ mA}$  |      | 0.9  |      |                    |
| <b>UNDERVOLTAGE LOCKOUT (UVLO)</b> |  |  |      |      |      |                    |
| $V_{ON}$                           | Turn-on voltage  |  | 3.6  | 3.8  | 4.0  | V                  |
| $V_{HYST}$                         | Hysteresis voltage   |  |      | 0.4  |      |                    |
| $I_Q$                              | AVIN quiescent current                                       |  |      | 1.0  | 1.5  | mA                 |
| <b>THERMAL SHUTDOWN</b>            |  |  |      |      |      |                    |
|                                    | Thermal shutdown voltage <sup>(1)</sup>                      |  |      | 150  |      | $^{\circ}\text{C}$ |
|                                    | Thermal hysteresis <sup>(1)</sup>                            |  |      | -10  |      |                    |

(1) Ensured by design. Not production tested.

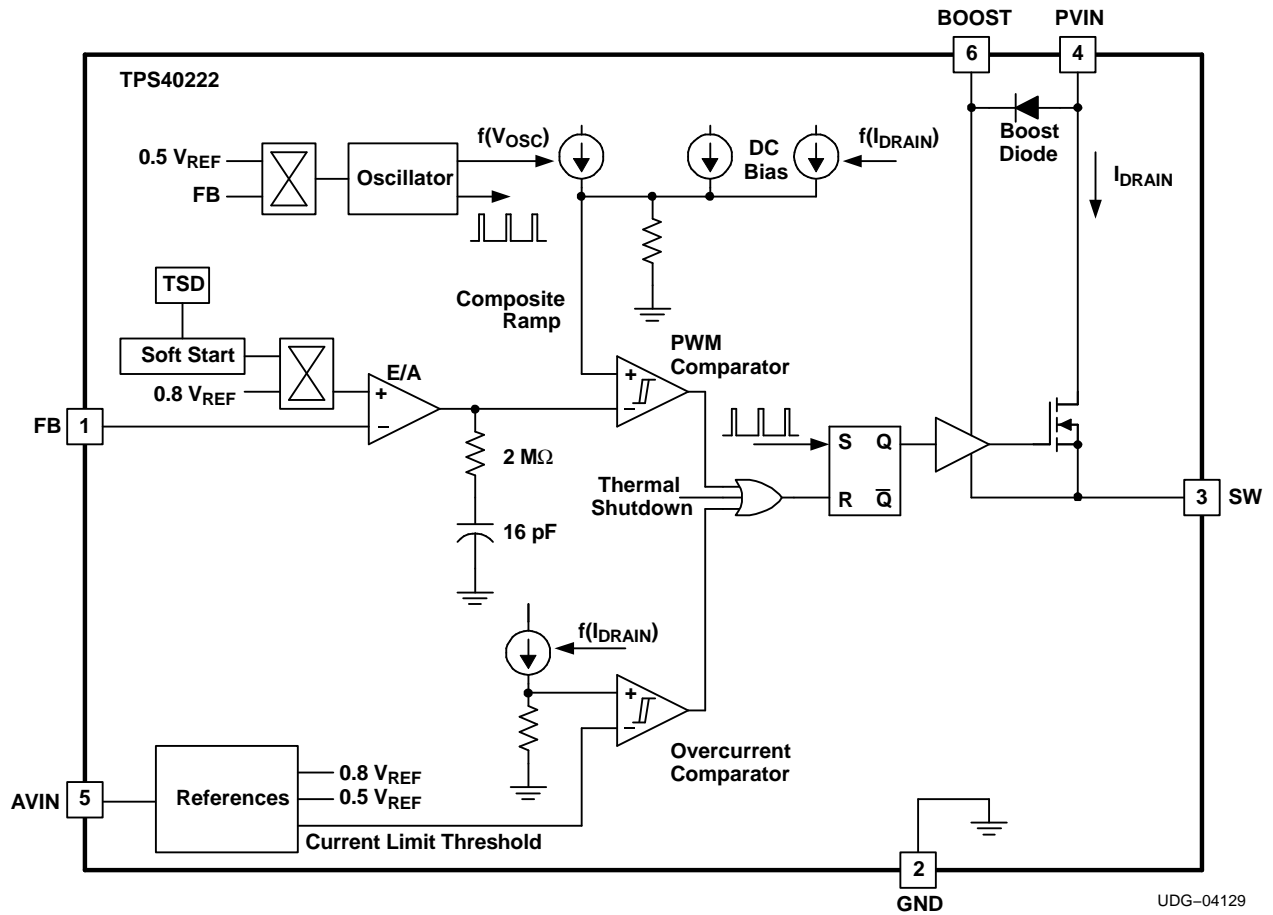


- A. Exposed pad provides a low thermal resistance of  $\theta_{JC} = 2^{\circ}\text{C/W}$
- B. Connect exposed pad to GND.

**Table 1. TERMINAL FUNCTIONS**

| TERMINAL NAME | NO. | I/O | DESCRIPTION   |
|---------------|-----|-----|---|
| AVIN          | 5   | I   | Input power to the control section of the device. Closely bypass this pin to GND with a low ESR ceramic capacitor of 1- $\mu\text{F}$ or greater.   |
| BOOST         | 6   | I/O | This pin provides a bootstrapped supply for the high-side MOSFET driver for PWM, enabling the gate of the high-side MOSFET to be driven above the input supply rail. Connect a 33-nF capacitor from this pin to SW pin and (optionally) a Schottky diode from this pin to the PVIN pin.   |
| FB            | 1   | I   | Inverting input of the error amplifier. In closed-loop operation, the voltage at this pin is the internal reference level of 800 mV. During startup or fault conditions, the voltage on this pin also affects the operating frequency of the converter. With 0 V on the pin, the operating frequency is approximately 140 kHz. The frequency increases linearly to approximately 1.25 MHz as the voltage on the pin is raised to 0.6 V. Above 0.6 V, the operating frequency remains at approximately 1.25 MHz. |
| GND           | 2   | -   | Ground connection to the device.  |
| PVIN          | 4   | I   | Input to the power section of the device. Bypass this pin to GND with a low ESR capacitor of 10- $\mu\text{F}$ or greater.  |
| SW            | 3   | I/O | The source connection of the internal switching MOSFET. Connect this pin to the output inductor and an external catch diode to form the converter's switch node.  |

**SIMPLIFIED BLOCK DIAGRAM**



TYPICAL CHARACTERISTICS

FEEDBACK VOLTAGE  
vs  
INPUT VOLTAGE (NO LOAD)

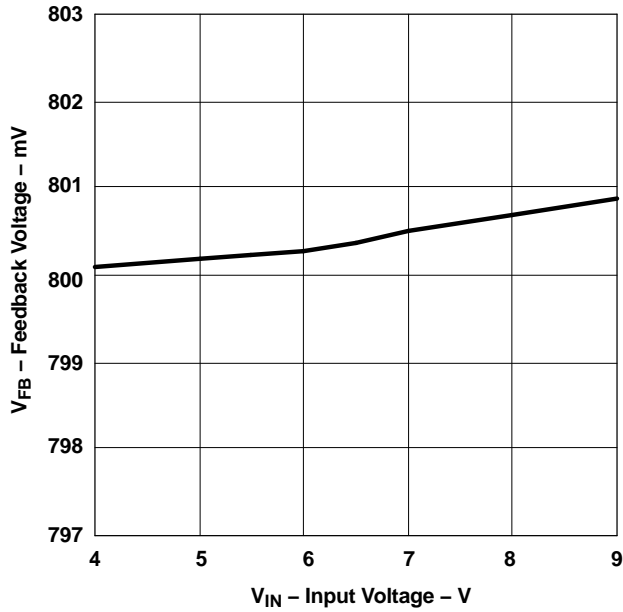


Figure 1.

FEEDBACK VOLTAGE  
vs  
JUNCTION TEMPERATURE

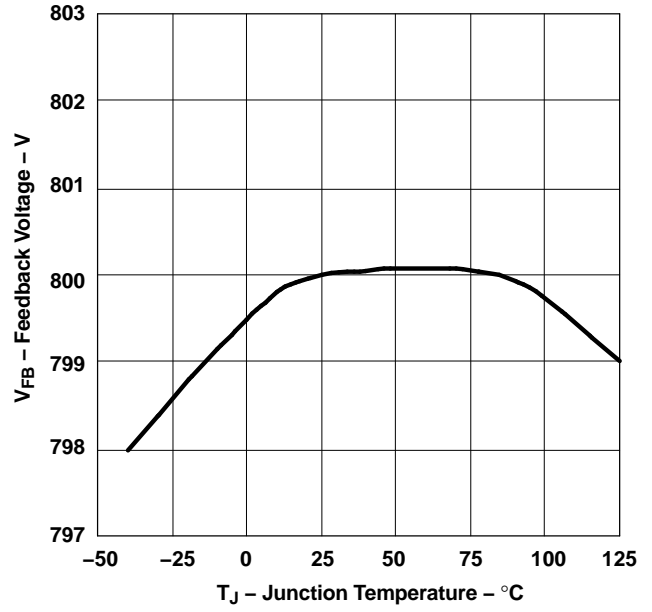


Figure 2.

OSCILLATOR FREQUENCY  
vs  
FEEDBACK VOLTAGE

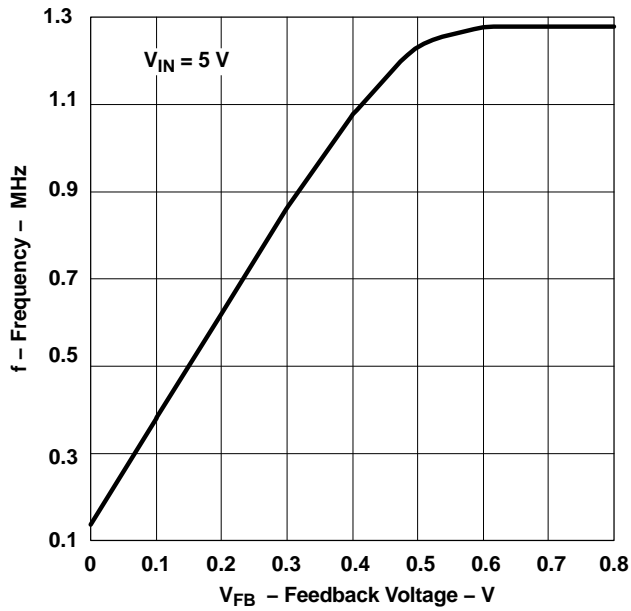


Figure 3.

OSCILLATOR FREQUENCY  
vs  
INPUT VOLTAGE

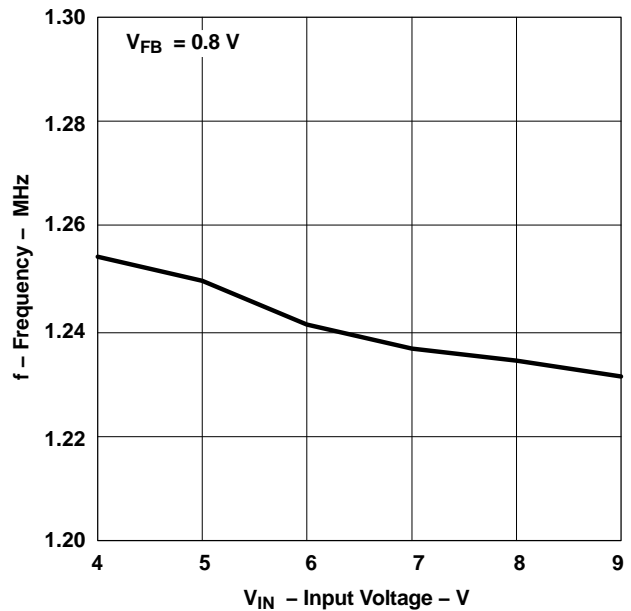


Figure 4.

**TYPICAL CHARACTERISTICS (continued)**

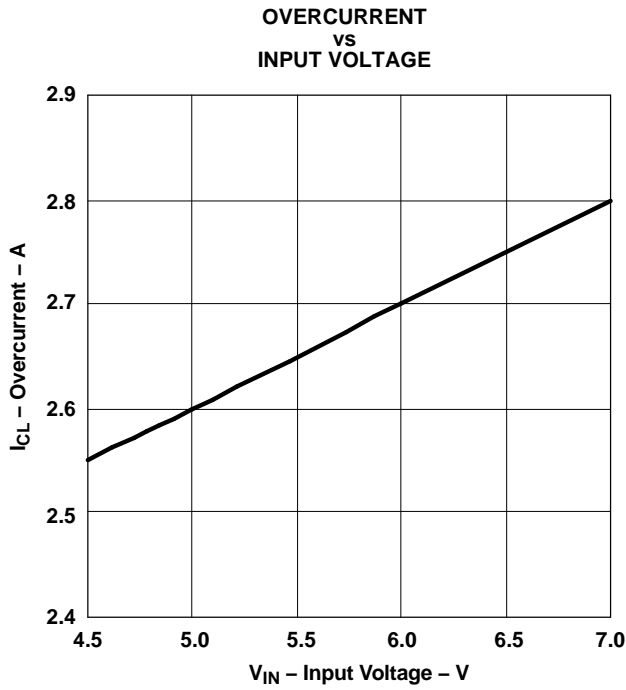


Figure 5.

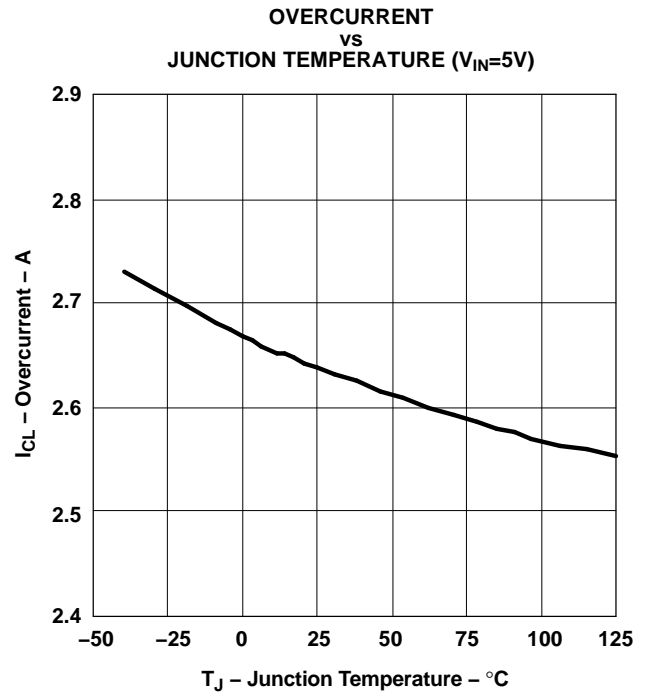


Figure 6.

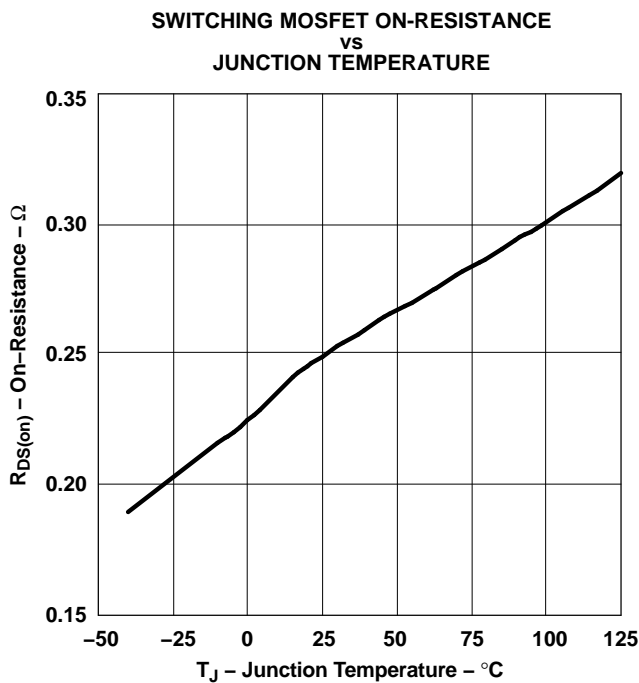


Figure 7.

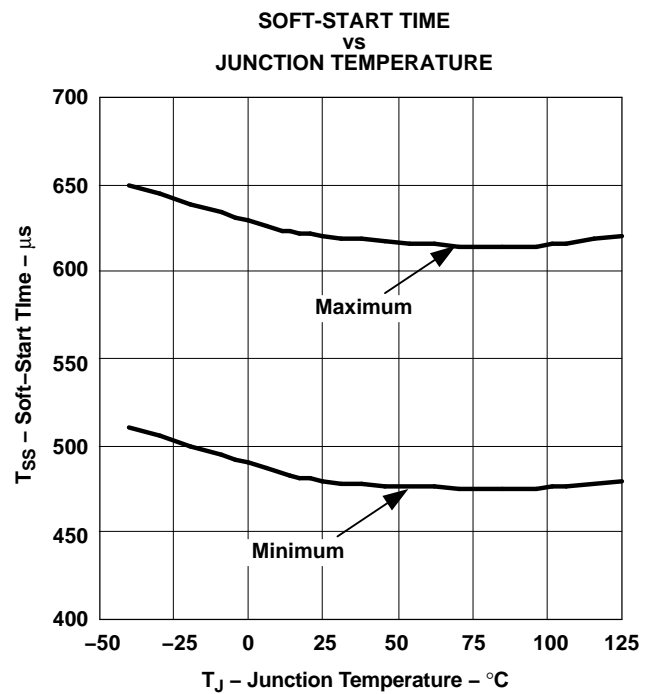


Figure 8.

---

## DETAILED DESCRIPTION

The TPS40222 is a fixed frequency PWM controller incorporating an internal high-side MOSFET switch and is intended for non-synchronous converter applications requiring load current of up to 1.6 A.

### Feedback Control

To maintain output voltage regulation, a fixed-frequency, current-mode-control architecture is employed. A transconductance error amplifier with internal compensation senses the output voltage through a resistive divider and compares the result with an internal 0.8-V precision reference voltage. The result of this comparison is fed to the inverting input of a PWM comparator. A composite sawtooth voltage waveform is fed in to the non-inverting input resulting at a PWM signal at the comparator output.

To generate the sawtooth ramp signal, the load current is sensed through the high-side MOSFET during the ON portion of the switching cycle. The sensed current is then split and fed into two trimmed resistor banks that are used to generate the ramps for the PWM control and the pulse-by-pulse current limit. This method of sensing does not require a sense resistor in the high-current path. The portion of the load current for PWM control is then summed with a signal proportional to the oscillator sawtooth, plus a small portion of DC bias to create the composite ramp signal.

### UVLO

An internal circuit will turn on the converter when the AVIN voltage rises above approximately 3.8 V. At voltages below this level, the internal oscillator is disabled and the internal MOSFET is biased off.

### Reference

The precision bandgap reference of 0.8 V is trimmed to 1%.

### Voltage Error Amplifier

The internal transconductance amplifier is used to control the output voltage. A series R-C circuit (2 M $\Omega$ , 16 pF) from the output of the amplifier to ground serves as the compensation circuit for the converter.

### Oscillator

During normal operation, the internal oscillator runs at a nominal 1.25 MHz. During startup, the oscillator starts at a slower frequency, then as the output voltage rises, the frequency is increased to the nominal operating frequency. The switch-over point occurs when the FB pin voltage exceeds 0.6 V. Above 0.6 V, the oscillator remains at a nominal 1.25 MHz.

A signal derived from the oscillator ramp is used to develop slope compensation for PWM control.



## DETAILED DESCRIPTION (continued)

### Soft-Start

During power-on, the TPS40222 slowly increases the voltage to the non-inverting input to the error amplifier. In this way, the TPS40222 slowly ramps up the output voltage until the voltage on the non-inverting input to the error amplifier reaches 0.8 V. At that time, the voltage at the non-inverting input to the error amplifier remains at 0.8 V.

Upon startup, the time for the voltage on the non-inverting input of the error amplifier to reach 0.8 V is approximately 550  $\mu$ s. The rate of rise of the voltage on the output of a TPS40222 is determined by the resistive divider network that sets the converter output voltage.

For example, the rate of rise of the internal soft-start is:

$$\frac{V_{\text{REF}}}{t_{\text{SS}}} = \frac{0.8 \text{ V}}{550 \mu\text{s}} \quad (1)$$

where

- $t_{\text{SS}}$  in the example is the typical soft-start time of 550  $\mu$ s

For a 1.2-V output converter, the rate of rise observed at the output is:

$$\frac{V_{\text{OUT}}}{t_{\text{SS}}} = \frac{1.2 \text{ V}}{550 \mu\text{s}} \quad (2)$$

### Output Short-Circuit Protection

Current fault (short-circuit) protection is provided by sensing the current through the switching MOSFET while it is in the ON state and comparing with a preset internal level. If the current exceeds this level, the switching pulse width is limited causing the output voltage to decay. As the output voltage decays, the operating frequency is also decreased, thereby reducing power dissipation.

If the fault condition persists, and the output voltage continues to decay, then a watchdog circuit discharges the internal soft-start capacitor, effectively shutting off the converter. When this interval is completed, the converter then attempts to restart.

### Bootstrap

To drive the internal N-channel MOSFET, a bootstrap, or boost circuit, is added to provide a voltage source higher than the input voltage of sufficient energy to fully enhance the MOSFET each switching cycle. During the freewheeling portion of the switching cycle (refer to [Figure 9](#)), the internal MOSFET is off, and the voltage at the SW node is clamped to just below ground by D1. At this time the input voltage (less the drop of the internal BOOST diode) is impressed upon C2, allowing it to charge. When the internal MOSFET is commanded to turn ON, the SW node rises towards  $V_{\text{IN}}$ , and the voltage on the BOOST pin rises to approximately  $2 \times V_{\text{IN}}$ . This voltage is used to further turn on the internal MOSFET for the remainder of the switching cycle.

APPLICATION INFORMATION

Typical Application

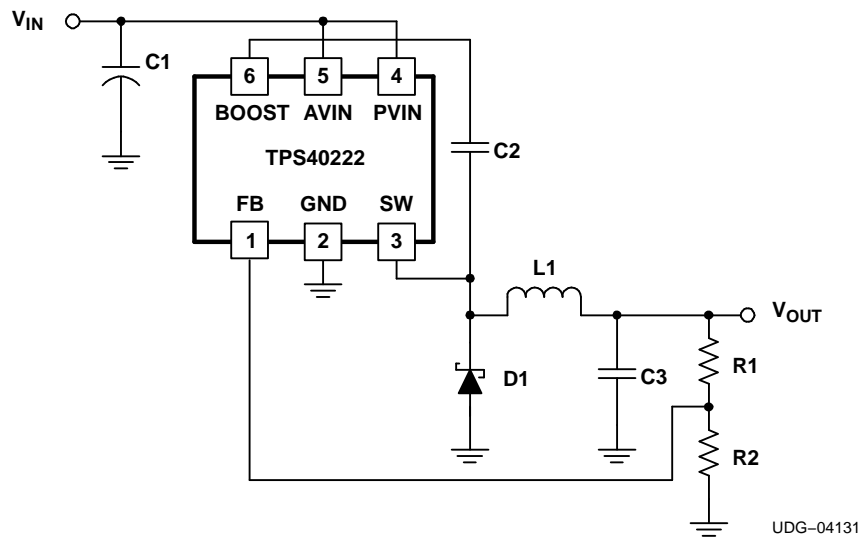


Figure 9. Typical Application

Voltage Setting

The output voltage may be set by knowing that the feedback voltage is 0.8 V and using Equation 3. To determine an output voltage, choose a convenient resistor value for R2 and calculate R1.

$$V_{OUT} = V_{FB} \times \left(1 + \frac{R1}{R2}\right) \tag{3}$$

Output Filter (L1 and C3)

Since the loop compensation is internally fixed and cannot be changed, loop stability can only be controlled by the proper choice of output inductance and capacitance. Table 2 provides a shortcut guide to this selection and recommended capacitance to maintain a safe 50 degrees of phase margin for various inductors and output voltages. The table also shows the minimum capacitance for 50 degrees of phase margin at three temperatures, with the worst case for stability at -40°C. The granularity of the table is sufficient so the user can interpolate between values to find a specific operating condition. The table values assume a full load, which is also the worst case for phase compensation. As an example of using the table, consider a 2.5-V output converter with a 2.2-μH inductor. The table shows that a minimum of 15-μF of output capacitance is required to guarantee greater than 50 degree of phase margin at the worst case temperature of -40°C. With a lead capacitor (C<sub>LEAD</sub>) added to the feedback as shown in Figure 10, this minimum capacitance increases to 26-μF and the closed-loop frequency increases by about 20%.

**APPLICATION INFORMATION (continued)**

**Table 2. Capacitor Selection<sup>(1)</sup>**

| INDUCTOR VALUE (μH)                           | 5-V <sub>IN</sub> RIPPLE CURRENT (mA) | C <sub>MIN</sub> (μF) (PM > 50° at -40°C) | f <sub>C</sub> (kHz) T <sub>J</sub> = -40°C | f <sub>C</sub> (kHz) T <sub>J</sub> = 25°C | f <sub>C</sub> (kHz) T <sub>J</sub> = 125°C | C <sub>LEAD</sub> VALUE (pF) |
|---|---------------------------------------|---|---|--|---|------------------------------|
| <b>OUTPUT VOLTAGE V<sub>OUT</sub> = 3.3 V</b> |                                       |   |   |  |   |                              |
| 1.8   |                                       | Not Recommended <sup>(2)</sup>            |   |  |   |                              |
| 2.2   | 340                                   | 9   | 125   | 101  | 68  | omitted                      |
|   |                                       | 21  | 285   | 247  | 92  | 270                          |
| 3.3   | 230                                   | 12  | 98  | 77   | 52  | omitted                      |
|   |                                       | 28  | 144   | 112  | 67  | 330                          |
| 4.7   | 160                                   | 15  | 80  | 62   | 41  | omitted                      |
|   |                                       | 38  | 111   | 85   | 52  | 470                          |
| 5.6   | 140                                   | 16  | 74  | 58   | 38  | omitted                      |
|   |                                       | 40  | 103   | 79   | 47  | 470                          |
| <b>OUTPUT VOLTAGE V<sub>OUT</sub> = 2.5 V</b> |                                       |   |   |  |   |                              |
| 1.8   | 550                                   | 13  | 116   | 93   | 63  | omitted                      |
|   |                                       | 23  | 169   | 133  | 81  | 330                          |
| 2.2   | 370                                   | 15  | 102   | 81   | 54  | omitted                      |
|   |                                       | 26  | 147   | 114  | 65  | 330                          |
| 3.3   | 300                                   | 17  | 91  | 71   | 48  | omitted                      |
|   |                                       | 28  | 134   | 102  | 56  | 270                          |
| 4.7   | 210                                   | 20  | 78  | 61   | 41  | omitted                      |
|   |                                       | 38  | 106   | 81   | 47  | 470                          |
| 5.6   | 180                                   | 23  | 68  | 53   | 35  | omitted                      |
|   |                                       | 34  | 106   | 79   | 43  | 330                          |
| <b>OUTPUT VOLTAGE V<sub>OUT</sub> = 1.8 V</b> |                                       |   |   |  |   |                              |
| 1.8   | 580                                   | 20  | 105   | 84   | 56  | omitted                      |
|   |                                       | 30  | 137   | 109  | 68  | 470                          |
| 2.2   | 470                                   | 21  | 100   | 80   | 54  | omitted                      |
|   |                                       | 32  | 129   | 101  | 62  | 470                          |
| 3.3   | 320                                   | 25  | 86  | 67   | 45  | omitted                      |
|   |                                       | 35  | 115   | 88   | 53  | 470                          |
| 4.7   | 220                                   | 30  | 72  | 56   | 37  | omitted                      |
|   |                                       | 39  | 99  | 75   | 44  | 470                          |
| 5.6   | 190                                   | 33  | 65  | 51   | 34  | omitted                      |
|   |                                       | 40  | 94  | 71   | 41  | 470                          |
| <b>OUTPUT VOLTAGE V<sub>OUT</sub> = 0.8 V</b> |                                       |   |   |  |   |                              |
| 1.8   | 470                                   | 50  | 94  | 75   | 50  | n/a                          |
| 2.2   | 390                                   | 52  | 91  | 72   | 48  |                              |
| 3.3   | 260                                   | 60  | 79  | 62   | 42  |                              |
| 4.7   | 180                                   | 70  | 68  | 53   | 36  |                              |
| 5.6   | 150                                   | 75  | 63  | 49   | 33  |                              |

(1) See [Figure 10](#).

(2) For V<sub>OUT</sub> > 3.3 V use an inductor with a value greater than or equal to 2.2 μH.

### Output Stage Component Selection

In most applications, the user starts with a known output voltage and current load requirement as shown in Figure 10.

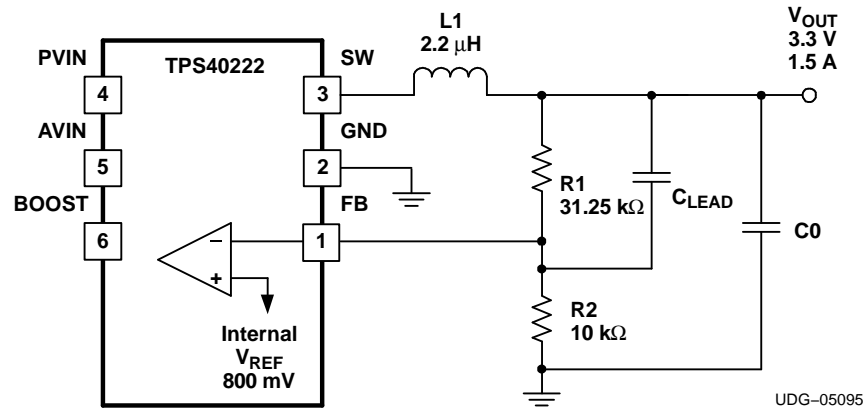


Figure 10. Output Stage

As shown in Figure 10, the trimmed reference voltage is internally connected to the error amplifier. Since the input bias current to this error amplifier is negligible. The feedback resistors R1 and R2 can be selected over a broad range limited by the low bias current into the error amplifier. With this restriction in mind, R2 was selected at 10 kΩ, so its current is 80 μA and large relative to the bias current of the error amplifier. The output voltage is then given by Equation 4.

$$V_{OUT} = 0.8 \times \left( 1 + \frac{R1}{R2} \right) = 3.3 \text{ V} \tag{4}$$

where

- R1 = 31.25 kΩ
- R2 = 10 kΩ

### Inductor Selection

This device's high-frequency internal clock enables the use of smaller, less expensive inductors. Ferrite, with its good high frequency properties, is the material of choice. Several manufacturers provide catalogs with inductor saturation currents, inductance values, and LSRs (internal resistance) for their various sized ferrites. For a 3.3-V, 1.5 A application, the inductor's saturation current must be higher than the maximum output current plus ½ the ripple current. The inductor value sets the ripple current. A small inductor provides better transient response and is a smaller, less expensive part. Too low an inductor value, however, causes high ripple currents that cause high ripple voltage across the ESR of the output capacitance. A rule of thumb is to set high ripple current to be less than 30% of the output current. A first order calculation then gives:

$$L = \frac{\Delta V \times t_{ON}}{\Delta I} \tag{5}$$

where

- ΔV is the input voltage -( IR drops in the inductor and FET) - V<sub>OUT</sub>
- ΔI is 30% of 1.5 A
- t<sub>ON</sub> is the on time given by (V<sub>OUT</sub> / (V<sub>IN</sub> × f)) where f = 1.25 MHz

Under these conditions, L = 1.55 μH

Selecting a standard value 2.2-μH inductor, with an internal resistance of 32 mΩ, the peak current developed during the on time is 1.66 A. This value is safely below the device's built in overcurrent limit of 2.1 A.

## Capacitor Selection

One constraint on the capacitance is the overshoot allowed by a sudden load change. The worst case for a transient load release occurs at the time when the inductor has just finished a  $t_{ON}$  pulse. At this point, the inductor is operating at maximum current. When the output load is suddenly removed, all of the inductor current must be absorbed by the output capacitance. With a typical output voltage overshoot requirement of 2% at 3.3-V, the minimum capacitance required to remain in specification is calculated using [Equation 6](#).

$$\frac{1}{2} \times L_O \times (I_O)^2 \leq \frac{1}{2} C_O (V_{OS}^2 - V_O^2) \quad (6)$$

where

- $V_{OS}$  is the maximum overshoot voltage
- $L_O = 2.2 \mu\text{H}$
- $I_O = 1.5 \text{ A}$
- $V_O = 3.3 \text{ V}$

Solving this relationship, the minimum required output capacitance  $C_O$  is 11- $\mu\text{F}$ .

The other load transition extreme is from no load to full load that occurs just after a minimum on-time cycle has started. At this point, the controller has to support this load for the remainder of the cycle with a minimum of current available from the inductor. In this example, the minimum on-time with a 3.3-V output is 528 ns and the off-time is 800 ns minus 528 ns = 272 ns. Using the relationship shown in [Equation 7](#);

$$C_{MIN} = \frac{I_O \times \Delta t}{\Delta V_{OUT}} = 6.1 \mu\text{F} \quad (7)$$

where

- $\Delta V_{OUT}$  is a 2% specified output voltage droop
- $I_O = 1.5 \text{ A}$
- $\Delta t = 272 \text{ ns}$

Ceramic capacitors with a low ESR are used to achieve the lowest voltage ripple. For example, current 1206, 6.3-V capacitors that provide 22  $\mu\text{F}$  and an ESR of 2  $\text{m}\Omega$  are available.

These component selection decisions influence the phase margin and hence the stability of the system. For example, raising the output capacitance reduces the system crossover frequency and raises phase margin. Figure 11 illustrates this in a curve that shows phase margin as a function of output capacitance for two widely different inductors. The curves show that beyond a certain point, added capacitance has limited benefit. This point can be exploited to avoid the expense of excessive output capacitance. The curves also show the advantage of a lower inductance, where only 20-μF of output capacitance is required to obtain 60 degrees of phase margin.

The output voltage affects the phase margin by changing the equivalent output resistance to deliver full load. With a higher output voltage for example, there is a higher full-load resistance and a lower output capacitance is required for the same phase margin. An idea of this effect is illustrated in Figure 12 which plots the required minimum capacitance to achieve 50 degrees of phase margin at different output voltages. The curves also show the reduction in output capacitance that may be achieved with a lower inductor value.

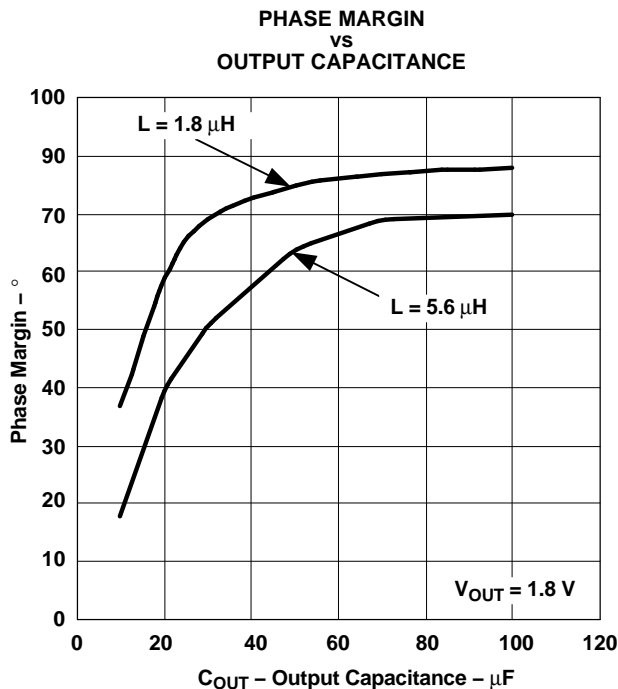


Figure 11.

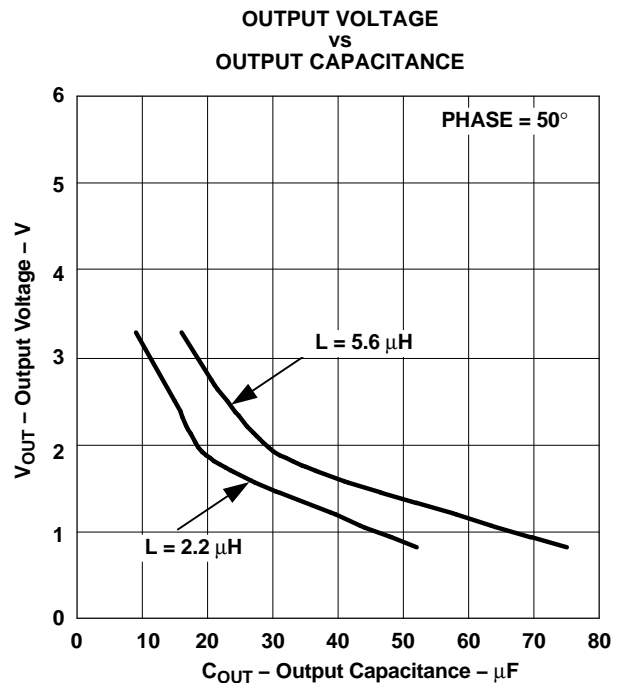


Figure 12.

A further improvement in reducing output capacitance is made by adding a lead capacitor across R1 of the feedback network. This lead capacitor can be determined by making its impedance equal to the resistance of R1 at the resonant frequency of the output L-C network. The lead capacitance is calculated using Equation 8.

$$C_{LEAD} = \frac{1}{2\pi \times f_R \times R} \tag{8}$$

The resonant frequency formed by the inductor and the output load capacitance is calculated in Equation 9.

$$f_R = \frac{1}{2\pi} \times \left( \frac{1}{L \times C_O} \right)^{\frac{1}{2}} \tag{9}$$

### Catch Diode (D1)

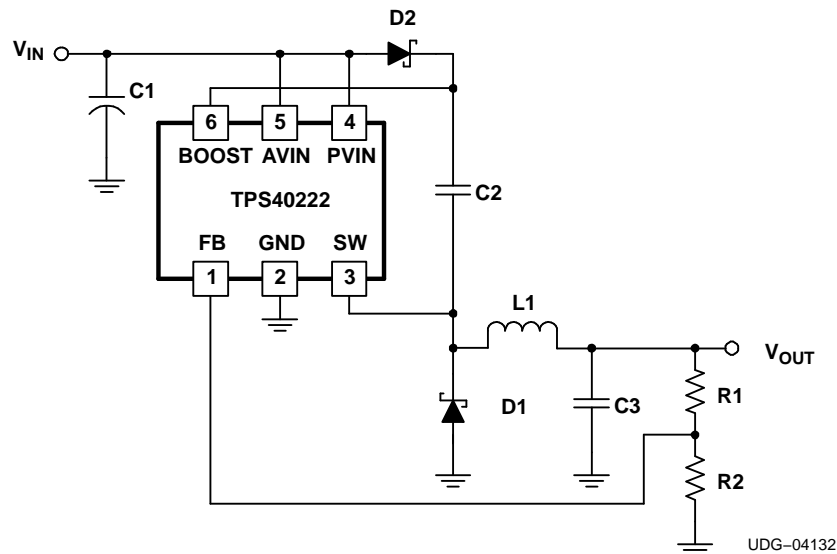
The selection of the catch diode depends on the application current. Select a diode that has a low forward voltage drop, and a low junction capacitance. A diode with too high of a forward voltage drop or a diode with high junction capacitance result in a converter that has poor efficiency, as well as excessive ringing on the SW node and excessive output voltage noise.

### Input Filter Capacitor (C1)

Select a good quality, low ESR ceramic capacitor to bypass the input. For a conservative design, the capacitor should have a ripple current rating equal to the load current of the converter.

### Boost Capacitor (C2)

The boost capacitor is sized to ensure there is enough energy available to turn on the internal MOSFET. For most applications, use a ceramic capacitor with a value between 33 nF and 100 nF.



**Figure 13. Using a Boost Diode**

### Boost Diode (D2)

For some applications, the internal bootstrap diode's voltage drop may be too high to sufficiently charge the boost capacitor each switching cycle. For these applications, a Schottky diode, D2 shown in [Figure 13](#), may be added.

### Output Preload Requirement

One of the requirements for proper startup of the DC-to-DC converter is that the boost capacitor, C2, has sufficient voltage across it before switching occurs. In some applications, notably those with output voltages of 3.3 V, and those with slowly rising or low input voltages, there is the need to add a small 10 mA, pre-load to the converter to hold the SW node to GND before switching begins. Without a pre-load, the output voltage may not reach regulation. In addition, the pre-load prevents the output from overshooting too much when the load is stepped from a high value to zero.

### AVIN Filtering

Some applications may require the addition of an R-C filter on the input of AVIN to filter unwanted noise and improve load regulation. (See [Figure 14](#)) Use R4=10 Ω and C5=1 μF. Connect the ground side of C5 as close as possible to the GND pin of the device.

### SW Node Snubber

To attenuate excessive ringing at the SW node, an R-C network may be added across D1. (See [Figure 14](#))

Use R3=10 Ω and C4=680 pF as a starting point. Decrease C4 until the minimum capacitance is found for the desired ringing attenuation.

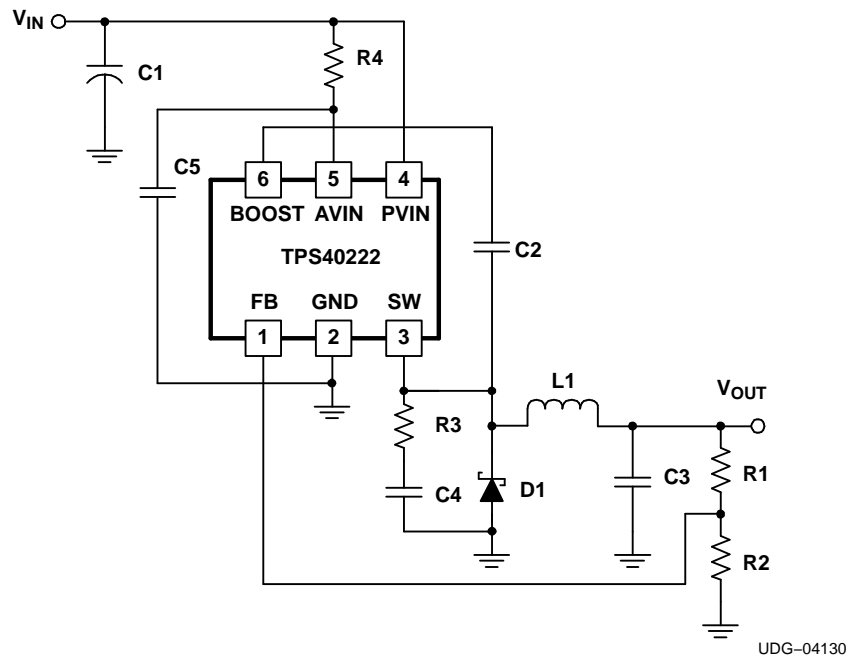
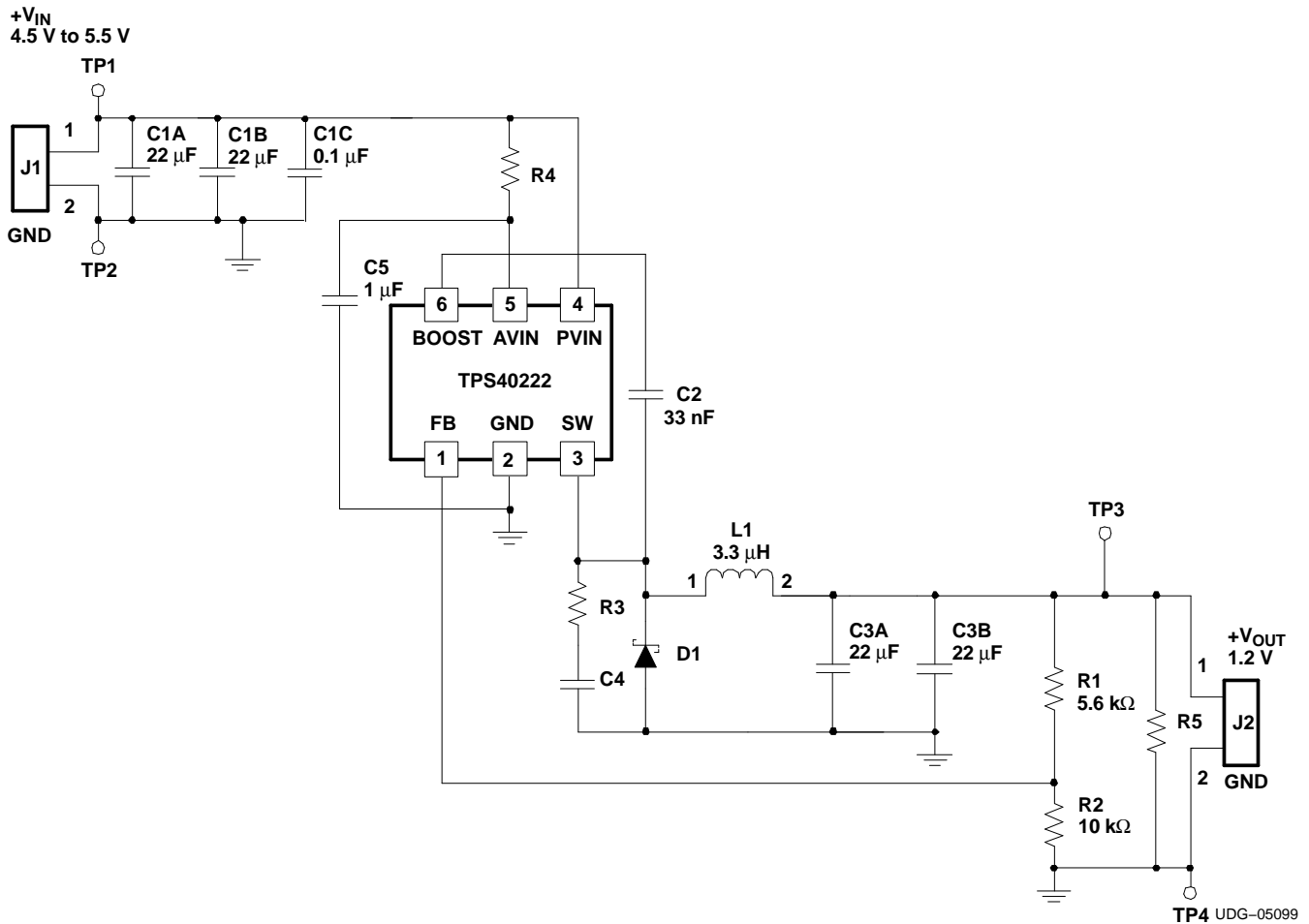


Figure 14. AVIN Filter and SW Node Snubber



**Application Circuit Schematic**

Figure 15 shows an example of an application incorporating a TPS40222 in a 1.2-V output DC-to-DC converter. Notice the use of parallel capacitors at the input and the output to reduce the effective ESR of the capacitance.



**Figure 15. 5- $V_{IN}$ , 1.2  $V_{OUT}$  DC-to-DC Converter**

Table 3. List of Materials

| REFERENCE DESIGNATOR | QTY | DESCRIPTION                             | VENDOR PART NUMBER | VENDOR            | NOTES  |
|----------------------|-----|---|--------------------|-------------------|--|
| C1A, C1B             | 2   | Capacitor, 22 $\mu$ F ceramic, 1206     |                    |                   | Input bypass   |
| C1D                  | 1   | Capacitor, 0.1 $\mu$ F ceramic, 0805    |                    |                   | High-frequency bypass, mount near $V_{CC}$                 |
| C2                   | 1   | Capacitor, 33 nF ceramic, 0805          |                    |                   | Bootstrap  |
| C3A, C3B             | 2   | Capacitor, 22 $\mu$ F ceramic, 1206     |                    |                   | Output capacitors  |
| C4                   | 1   | Capacitor, 680 pF ceramic, 0805         |                    |                   | Snubber (optional - open if not used)                      |
| C5                   | 1   | Capacitor, 1 $\mu$ F ceramic, 0805      |                    |                   | Device input voltage filter capacitor                      |
| D1                   | 1   | Diode, Schottky, 1 A                    | RSX501L-20         | ROHM              | Catch diode  |
| L1                   | 1   | Inductor, 3.3 $\mu$ H                   | ELL6PV3R3N         | Panasonic         | Filter inductor  |
| R1                   | 1   | Resistor, 5620 $\Omega$ , 1%, SMD, 0603 |                    |                   | Voltage setting resistor                                   |
| R2                   | 1   | Resistor, 10 k $\Omega$ , 1%, SMD, 0603 |                    |                   | Voltage setting resistor                                   |
| R3                   | 1   | Resistor, 10 $\Omega$ , 10%, SMD, 0805  |                    |                   | Snubber (optional - open if not used)                      |
| R4                   | 1   | Resistor, 10 $\Omega$ , 10%, SMD, 0603  |                    |                   | Device input voltage filter (optional - short if not used) |
| R5                   | 1   | Resistor, 120 $\Omega$ , 10%, SMD, 0805 |                    |                   | Output pre-load (optional - open if not used)              |
| U1                   | 1   | PWM converter device                    | TPS40222           | Texas Instruments |  |

APPLICATION CURVES

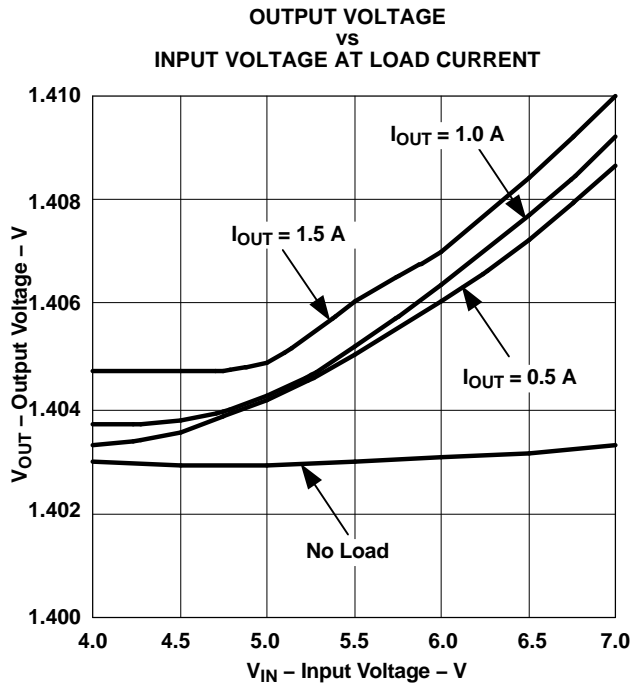


Figure 16.

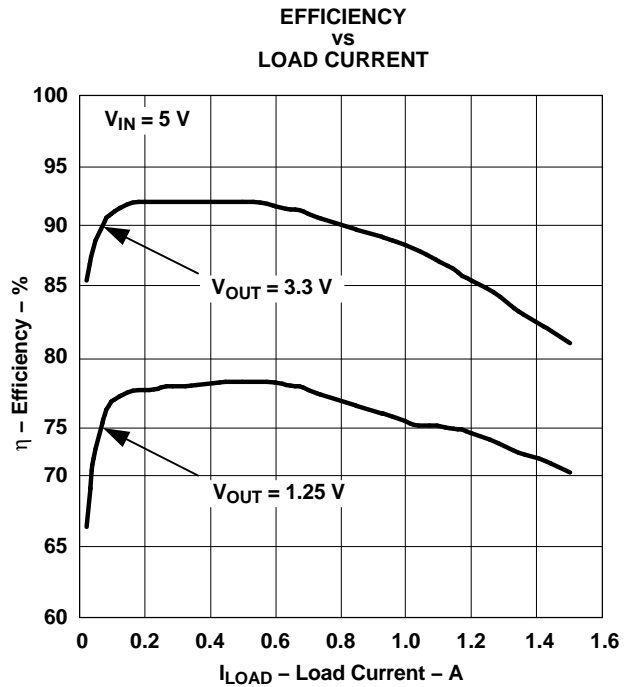
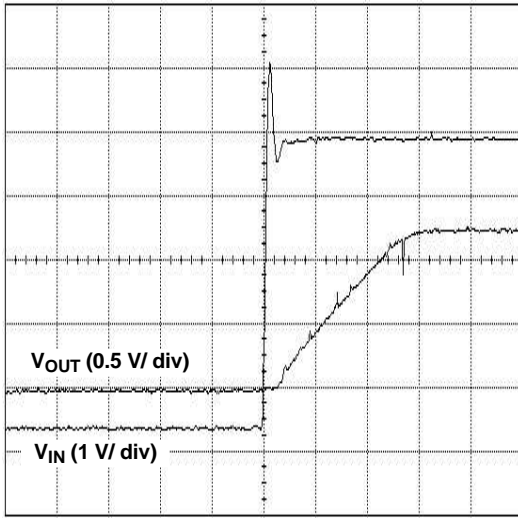


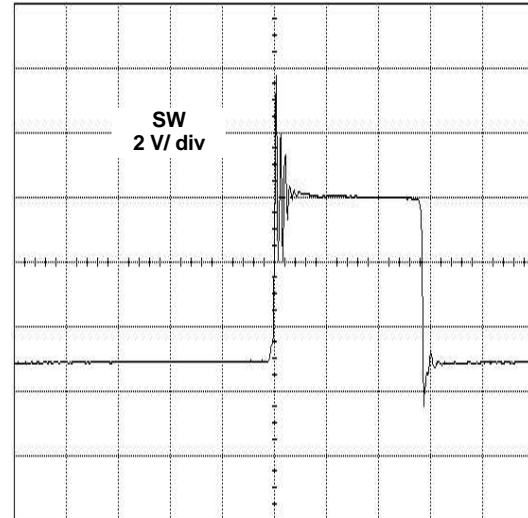
Figure 17.

**TYPICAL CHARACTERISTICS**



t – Time – 200  $\mu$ s/div

Figure 18. Startup Waveform



t – Time – 100 ns/div

Figure 19. SW Node Waveform

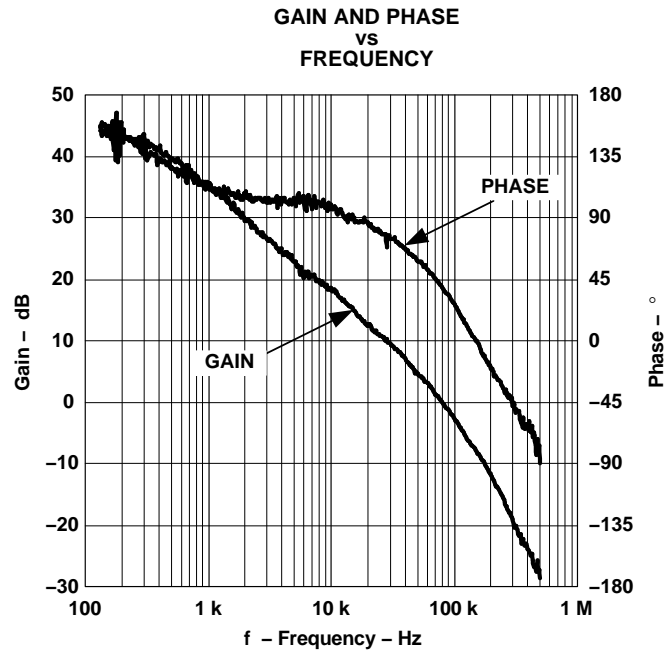


Figure 20.

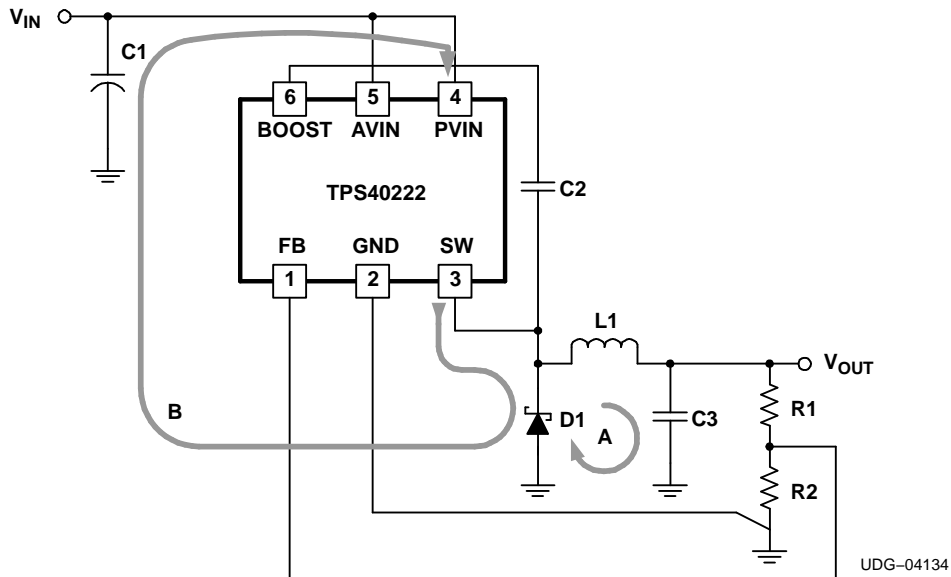
## PC BOARD LAYOUT RECOMMENDATIONS

### Device Pad Design

The 6-pin package has an exposed thermal pad intended to help conduct heat out of the package, allowing a higher than otherwise available operating ambient temperature. Place three vias within the pad area, tying them to an analog ground plane.

### PCB Layout

When designing a DC-to-DC converter layout, care must be taken to ensure a noise-free design.



**Figure 21. Ensuring a Noise-Free Layout**

- AC current loops must be kept as short as possible. The input loop B (C1-U1-D1) in the figure must be kept short to ensure proper filtering by C1 for the device. Excessive high frequency noise on AVIN during switching could degrade overall regulation as the load increases. In order to reduce noise spikes seen by the device, an R-C filter is recommended (see *AVIN Filtering* in the *APPLICATION INFORMATION* section) and a snubber may be added (see *SW Node Snubber* in the *APPLICATION INFORMATION* section).
- The output loop A (D1-L1-C3) should also be kept as small as possible. Noise performance at the output of the converter suffers if the loop area is too large.
- It is recommended that traces carrying large AC currents NOT be connected through a ground plane. Instead, use PCB traces on the top layer to conduct the AC current and use the ground plane as a noise shield. Split the ground plane as necessary to keep noise away from the TPS40222 and noise sensitive areas (R1, R2).
- Keep the SW node as physically small as possible to minimize parasitic capacitance and to minimize radiated emissions
- For good output voltage regulation, R1 should be connected close to the load. The R2-TPS40222 (GND) connection should be tied close to the load as well.
- The trace from the R1-R2 junction to the TPS40222 should be kept away from any noise source, such as the SW node, or the boost circuitry.
- The GND pin and the thermal pad of the TPS40222 should be connected together under the device as indicated in the pad design section. For good thermal conductivity, VIAs directly under the device should connect the thermal pad to a ground plane on the other side of the board.

**PACKAGING INFORMATION**

| Orderable Device | Status<br>(1) | Package Type | Package Drawing | Pins | Package Qty | Eco Plan<br>(2)         | Lead/Ball Finish | MSL Peak Temp<br>(3) | Op Temp (°C) | Top-Side Markings<br>(4) | Samples                 |
|------------------|---------------|--------------|-----------------|------|-------------|-------------------------|------------------|----------------------|--------------|--------------------------|-------------------------|
| TPS40222DRPR     | ACTIVE        | VSON         | DRP             | 6    | 3000        | Green (RoHS & no Sb/Br) | CU NIPDAU        | Level-2-260C-1 YEAR  | -40 to 125   | 0222                     | <a href="#">Samples</a> |
| TPS40222DRPRG4   | ACTIVE        | VSON         | DRP             | 6    | 3000        | Green (RoHS & no Sb/Br) | CU NIPDAU        | Level-2-260C-1 YEAR  | -40 to 125   | 0222                     | <a href="#">Samples</a> |
| TPS40222DRPT     | ACTIVE        | VSON         | DRP             | 6    | 250         | Green (RoHS & no Sb/Br) | CU NIPDAU        | Level-2-260C-1 YEAR  | -40 to 125   | 0222                     | <a href="#">Samples</a> |
| TPS40222DRPTG4   | ACTIVE        | VSON         | DRP             | 6    | 250         | Green (RoHS & no Sb/Br) | CU NIPDAU        | Level-2-260C-1 YEAR  | -40 to 125   | 0222                     | <a href="#">Samples</a> |

(1) The marketing status values are defined as follows:

**ACTIVE:** Product device recommended for new designs.

**LIFEBUY:** TI has announced that the device will be discontinued, and a lifetime-buy period is in effect.

**NRND:** Not recommended for new designs. Device is in production to support existing customers, but TI does not recommend using this part in a new design.

**PREVIEW:** Device has been announced but is not in production. Samples may or may not be available.

**OBSELETE:** TI has discontinued the production of the device.

(2) Eco Plan - The planned eco-friendly classification: Pb-Free (RoHS), Pb-Free (RoHS Exempt), or Green (RoHS & no Sb/Br) - please check <http://www.ti.com/productcontent> for the latest availability information and additional product content details.

**TBD:** The Pb-Free/Green conversion plan has not been defined.

**Pb-Free (RoHS):** TI's terms "Lead-Free" or "Pb-Free" mean semiconductor products that are compatible with the current RoHS requirements for all 6 substances, including the requirement that lead not exceed 0.1% by weight in homogeneous materials. Where designed to be soldered at high temperatures, TI Pb-Free products are suitable for use in specified lead-free processes.

**Pb-Free (RoHS Exempt):** This component has a RoHS exemption for either 1) lead-based flip-chip solder bumps used between the die and package, or 2) lead-based die adhesive used between the die and leadframe. The component is otherwise considered Pb-Free (RoHS compatible) as defined above.

**Green (RoHS & no Sb/Br):** TI defines "Green" to mean Pb-Free (RoHS compatible), and free of Bromine (Br) and Antimony (Sb) based flame retardants (Br or Sb do not exceed 0.1% by weight in homogeneous material)

(3) MSL, Peak Temp. -- The Moisture Sensitivity Level rating according to the JEDEC industry standard classifications, and peak solder temperature.

(4) Multiple Top-Side Markings will be inside parentheses. Only one Top-Side Marking contained in parentheses and separated by a "~" will appear on a device. If a line is indented then it is a continuation of the previous line and the two combined represent the entire Top-Side Marking for that device.

**Important Information and Disclaimer:** The information provided on this page represents TI's knowledge and belief as of the date that it is provided. TI bases its knowledge and belief on information provided by third parties, and makes no representation or warranty as to the accuracy of such information. Efforts are underway to better integrate information from third parties. TI has taken and continues to take reasonable steps to provide representative and accurate information but may not have conducted destructive testing or chemical analysis on incoming materials and chemicals. TI and TI suppliers consider certain information to be proprietary, and thus CAS numbers and other limited information may not be available for release.

In no event shall TI's liability arising out of such information exceed the total purchase price of the TI part(s) at issue in this document sold by TI to Customer on an annual basis.



## TAPE AND REEL INFORMATION



### QUADRANT ASSIGNMENTS FOR PIN 1 ORIENTATION IN TAPE



\*All dimensions are nominal

| Device       | Package Type | Package Drawing | Pins | SPQ  | Reel Diameter (mm) | Reel Width W1 (mm) | A0 (mm) | B0 (mm) | K0 (mm) | P1 (mm) | W (mm) | Pin1 Quadrant |
|--------------|--------------|-----------------|------|------|--------------------|--------------------|---------|---------|---------|---------|--------|---------------|
| TPS40222DRPR | VSON         | DRP             | 6    | 3000 | 330.0              | 12.4               | 3.3     | 3.3     | 1.1     | 8.0     | 12.0   | Q2            |
| TPS40222DRPT | VSON         | DRP             | 6    | 250  | 180.0              | 12.4               | 3.3     | 3.3     | 1.1     | 8.0     | 12.0   | Q2            |
| TPS40222DRPT | VSON         | DRP             | 6    | 250  | 180.0              | 12.4               | 3.3     | 3.3     | 1.1     | 8.0     | 12.0   | Q2            |

**TAPE AND REEL BOX DIMENSIONS**

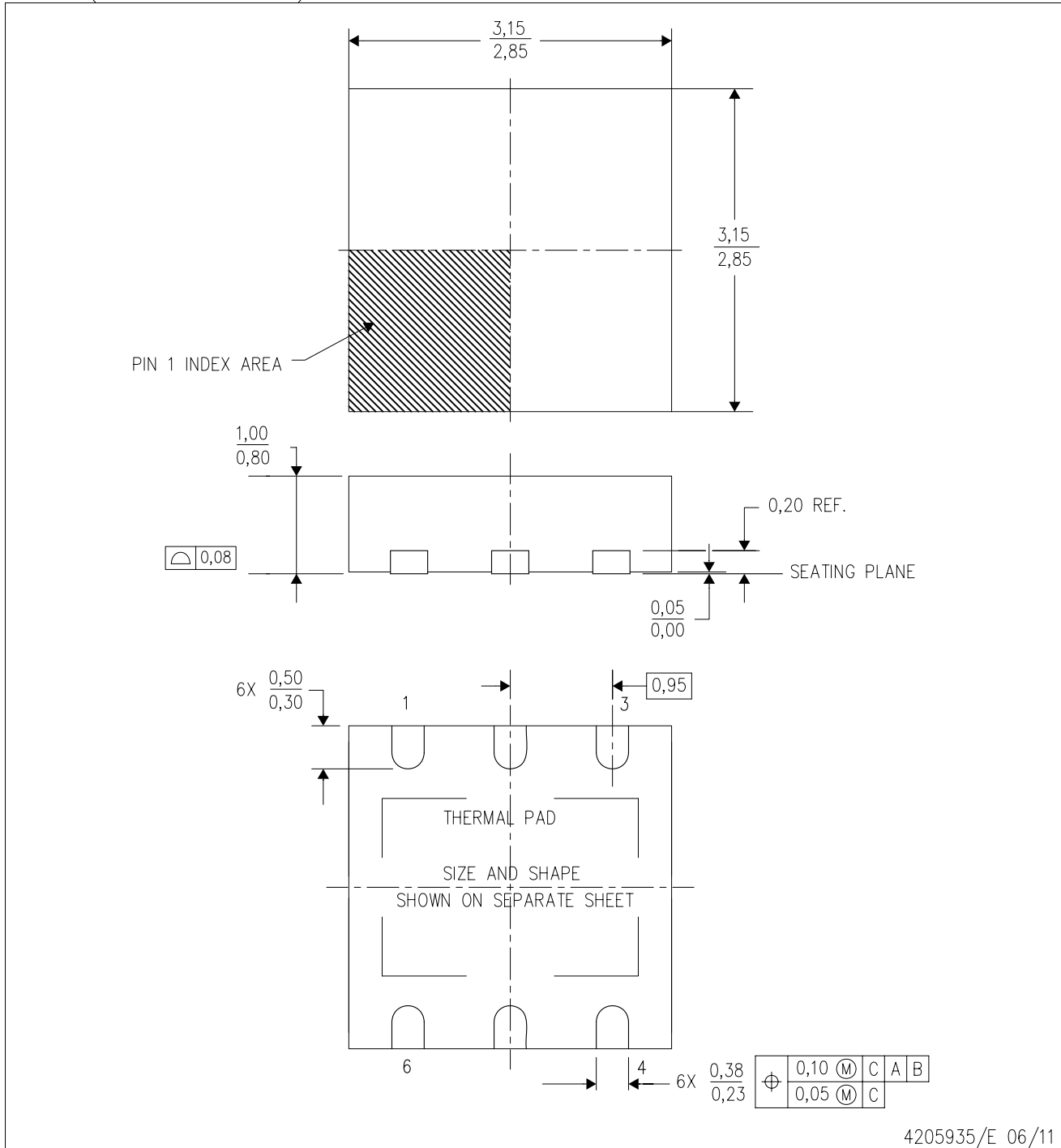

\*All dimensions are nominal

| Device       | Package Type | Package Drawing | Pins | SPQ  | Length (mm) | Width (mm) | Height (mm) |
|--------------|--------------|-----------------|------|------|-------------|------------|-------------|
| TPS40222DRPR | VSON         | DRP             | 6    | 3000 | 367.0       | 367.0      | 35.0        |
| TPS40222DRPT | VSON         | DRP             | 6    | 250  | 210.0       | 185.0      | 35.0        |
| TPS40222DRPT | VSON         | DRP             | 6    | 250  | 210.0       | 185.0      | 35.0        |



DRP (S-PVSON-N6)

PLASTIC SMALL OUTLINE NO-LEAD



- NOTES:
- All linear dimensions are in millimeters. Dimensioning and tolerancing per ASME Y14.5M-1994.
  - This drawing is subject to change without notice.
  - Small Outline No-Lead (SON) package configuration.
  - The package thermal pad must be soldered to the board for thermal and mechanical performance.
  - See the additional figure in the Product Data Sheet for details regarding the exposed thermal pad features and dimensions.

## THERMAL PAD MECHANICAL DATA

DRP (S-PVSON-N6)

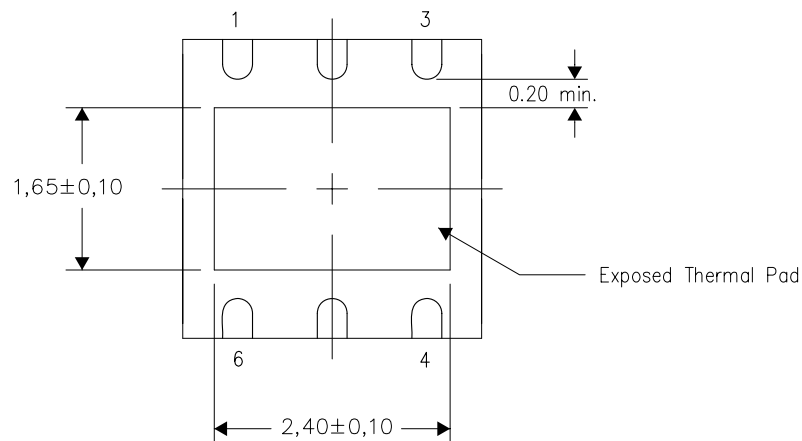
PLASTIC SMALL OUTLINE NO-LEAD

### THERMAL INFORMATION

This package incorporates an exposed thermal pad that is designed to be attached directly to an external heatsink. The thermal pad must be soldered directly to the printed circuit board (PCB). After soldering, the PCB can be used as a heatsink. In addition, through the use of thermal vias, the thermal pad can be attached directly to the appropriate copper plane shown in the electrical schematic for the device, or alternatively, can be attached to a special heatsink structure designed into the PCB. This design optimizes the heat transfer from the integrated circuit (IC).

For information on the Quad Flatpack No-Lead (QFN) package and its advantages, refer to Application Report, QFN/SON PCB Attachment, Texas Instruments Literature No. SLUA271. This document is available at [www.ti.com](http://www.ti.com).

The exposed thermal pad dimensions for this package are shown in the following illustration.



Bottom View

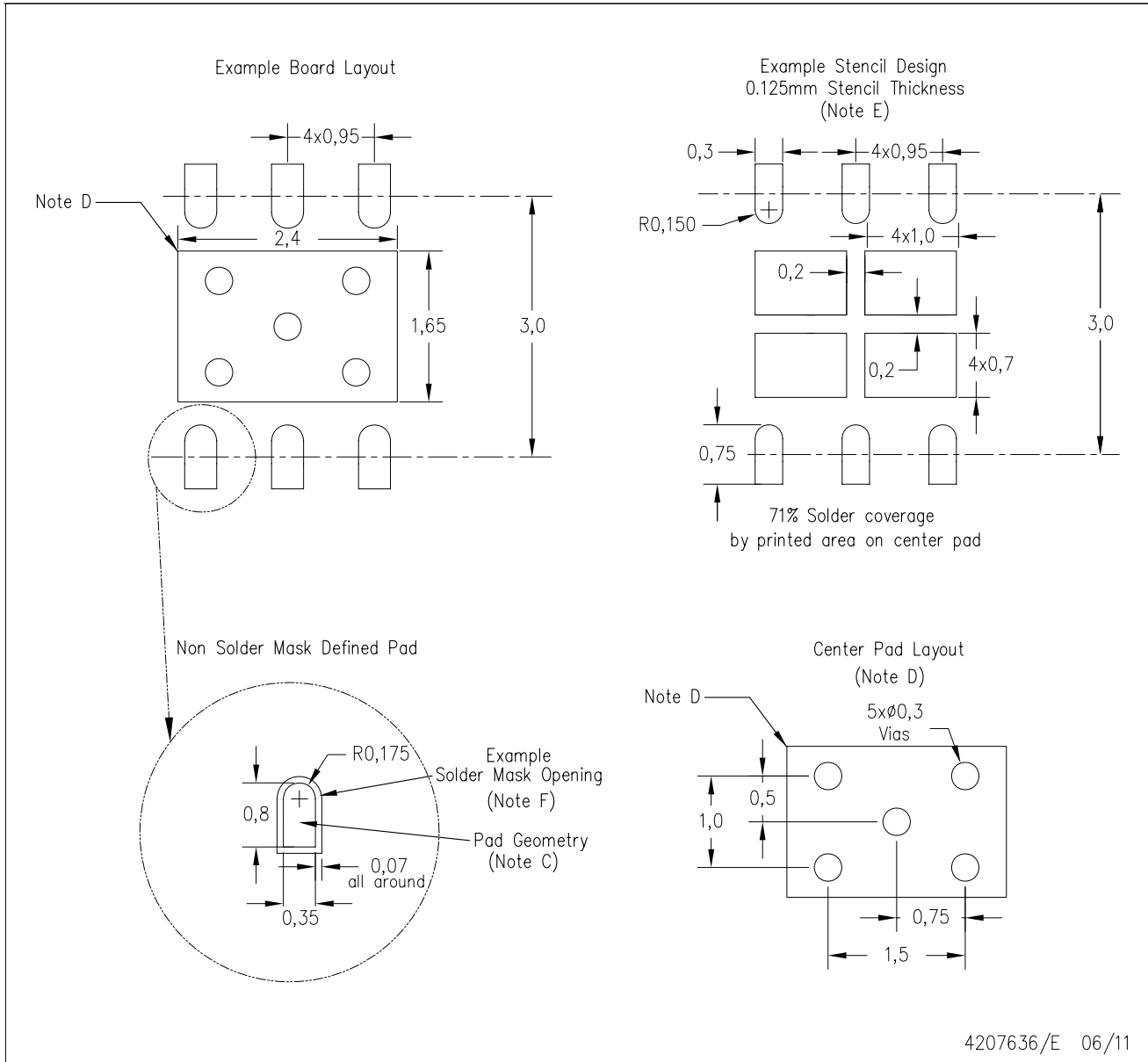
Exposed Thermal Pad Dimensions

4207637/G 06/11

NOTE: All linear dimensions are in millimeters

DRP (S-PVSON-N6)

PLASTIC SMALL OUTLINE NO-LEAD



4207636/E 06/11

- NOTES:
- All linear dimensions are in millimeters.
  - This drawing is subject to change without notice.
  - Publication IPC-7351 is recommended for alternate designs.
  - This package is designed to be soldered to a thermal pad on the board. Refer to Application Note, QFN Packages, Texas Instruments Literature No. SLUA271, and also the Product Data Sheets for specific thermal information, via requirements, and recommended board layout. These documents are available at [www.ti.com](http://www.ti.com) <<http://www.ti.com>>.
  - Laser cutting apertures with trapezoidal walls and also rounding corners will offer better paste release. Customers should contact their board assembly site for stencil design recommendations. Refer to IPC 7525 for stencil design considerations.
  - Customers should contact their board fabrication site for solder mask tolerances.

## IMPORTANT NOTICE

Texas Instruments Incorporated and its subsidiaries (TI) reserve the right to make corrections, enhancements, improvements and other changes to its semiconductor products and services per JESD46, latest issue, and to discontinue any product or service per JESD48, latest issue. Buyers should obtain the latest relevant information before placing orders and should verify that such information is current and complete. All semiconductor products (also referred to herein as "components") are sold subject to TI's terms and conditions of sale supplied at the time of order acknowledgment.

TI warrants performance of its components to the specifications applicable at the time of sale, in accordance with the warranty in TI's terms and conditions of sale of semiconductor products. Testing and other quality control techniques are used to the extent TI deems necessary to support this warranty. Except where mandated by applicable law, testing of all parameters of each component is not necessarily performed.

TI assumes no liability for applications assistance or the design of Buyers' products. Buyers are responsible for their products and applications using TI components. To minimize the risks associated with Buyers' products and applications, Buyers should provide adequate design and operating safeguards.

TI does not warrant or represent that any license, either express or implied, is granted under any patent right, copyright, mask work right, or other intellectual property right relating to any combination, machine, or process in which TI components or services are used. Information published by TI regarding third-party products or services does not constitute a license to use such products or services or a warranty or endorsement thereof. Use of such information may require a license from a third party under the patents or other intellectual property of the third party, or a license from TI under the patents or other intellectual property of TI.

Reproduction of significant portions of TI information in TI data books or data sheets is permissible only if reproduction is without alteration and is accompanied by all associated warranties, conditions, limitations, and notices. TI is not responsible or liable for such altered documentation. Information of third parties may be subject to additional restrictions.

Resale of TI components or services with statements different from or beyond the parameters stated by TI for that component or service voids all express and any implied warranties for the associated TI component or service and is an unfair and deceptive business practice. TI is not responsible or liable for any such statements.

Buyer acknowledges and agrees that it is solely responsible for compliance with all legal, regulatory and safety-related requirements concerning its products, and any use of TI components in its applications, notwithstanding any applications-related information or support that may be provided by TI. Buyer represents and agrees that it has all the necessary expertise to create and implement safeguards which anticipate dangerous consequences of failures, monitor failures and their consequences, lessen the likelihood of failures that might cause harm and take appropriate remedial actions. Buyer will fully indemnify TI and its representatives against any damages arising out of the use of any TI components in safety-critical applications.

In some cases, TI components may be promoted specifically to facilitate safety-related applications. With such components, TI's goal is to help enable customers to design and create their own end-product solutions that meet applicable functional safety standards and requirements. Nonetheless, such components are subject to these terms.

No TI components are authorized for use in FDA Class III (or similar life-critical medical equipment) unless authorized officers of the parties have executed a special agreement specifically governing such use.

Only those TI components which TI has specifically designated as military grade or "enhanced plastic" are designed and intended for use in military/aerospace applications or environments. Buyer acknowledges and agrees that any military or aerospace use of TI components which have **not** been so designated is solely at the Buyer's risk, and that Buyer is solely responsible for compliance with all legal and regulatory requirements in connection with such use.

TI has specifically designated certain components as meeting ISO/TS16949 requirements, mainly for automotive use. In any case of use of non-designated products, TI will not be responsible for any failure to meet ISO/TS16949.

### Products

|                              |  |
|------------------------------|--|
| Audio                        | <a href="http://www.ti.com/audio">www.ti.com/audio</a>                               |
| Amplifiers                   | <a href="http://amplifier.ti.com">amplifier.ti.com</a>                               |
| Data Converters              | <a href="http://dataconverter.ti.com">dataconverter.ti.com</a>                       |
| DLP® Products                | <a href="http://www.dlp.com">www.dlp.com</a>   |
| DSP                          | <a href="http://dsp.ti.com">dsp.ti.com</a>   |
| Clocks and Timers            | <a href="http://www.ti.com/clocks">www.ti.com/clocks</a>                             |
| Interface                    | <a href="http://interface.ti.com">interface.ti.com</a>                               |
| Logic                        | <a href="http://logic.ti.com">logic.ti.com</a>                                       |
| Power Mgmt                   | <a href="http://power.ti.com">power.ti.com</a>                                       |
| Microcontrollers             | <a href="http://microcontroller.ti.com">microcontroller.ti.com</a>                   |
| RFID                         | <a href="http://www.ti-rfid.com">www.ti-rfid.com</a>                                 |
| OMAP Applications Processors | <a href="http://www.ti.com/omap">www.ti.com/omap</a>                                 |
| Wireless Connectivity        | <a href="http://www.ti.com/wirelessconnectivity">www.ti.com/wirelessconnectivity</a> |

### Applications

|                               |  |
|-------------------------------|--|
| Automotive and Transportation | <a href="http://www.ti.com/automotive">www.ti.com/automotive</a>                         |
| Communications and Telecom    | <a href="http://www.ti.com/communications">www.ti.com/communications</a>                 |
| Computers and Peripherals     | <a href="http://www.ti.com/computers">www.ti.com/computers</a>                           |
| Consumer Electronics          | <a href="http://www.ti.com/consumer-apps">www.ti.com/consumer-apps</a>                   |
| Energy and Lighting           | <a href="http://www.ti.com/energy">www.ti.com/energy</a>                                 |
| Industrial                    | <a href="http://www.ti.com/industrial">www.ti.com/industrial</a>                         |
| Medical                       | <a href="http://www.ti.com/medical">www.ti.com/medical</a>                               |
| Security                      | <a href="http://www.ti.com/security">www.ti.com/security</a>                             |
| Space, Avionics and Defense   | <a href="http://www.ti.com/space-avionics-defense">www.ti.com/space-avionics-defense</a> |
| Video and Imaging             | <a href="http://www.ti.com/video">www.ti.com/video</a>                                   |

### TI E2E Community

[e2e.ti.com](http://e2e.ti.com)