

## 8-Pin Quasi-Resonant Flyback Green-Mode Controller

Check for Samples: [UCC28600](#)

### FEATURES

- Green-Mode Controller With Advanced Energy Saving Features
- Quasi-Resonant Mode Operation for Reduced EMI and Low Switching Losses (Low Voltage Switching)
- Low Standby Current for System No-Load Power Consumption
- Low Startup Current: 25  $\mu$ A Maximum
- Programmable Overvoltage Protection, Line and Load
- Internal Overtemperature Protection
- Current Limit Protection
  - Cycle-by-Cycle Power Limit
  - Primary-Side Overcurrent Hiccup Restart Mode
- 1-A Sink TrueDrive™, -0.75-A Source Gate Drive Output
- Programmable Soft-Start
- Green-Mode Status Pin (PFC Disable Function)

### APPLICATIONS

- Bias Supplies for LCD-Monitors, LCD-TV, PDP-TV, and Set Top Boxes
- AC/DC Adapters and Offline Battery Chargers
- Energy Efficient Power Supplies up to 200 W

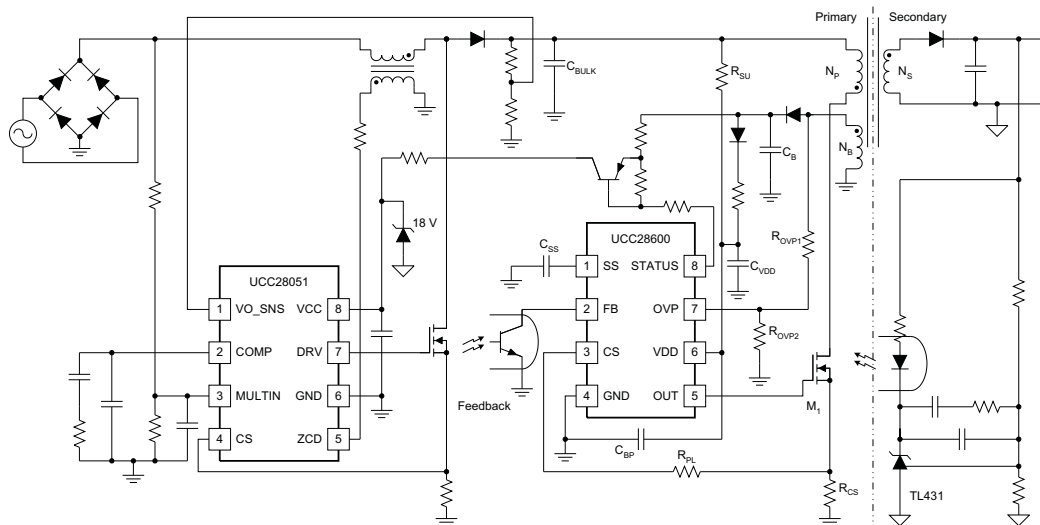
### DESCRIPTION

The UCC28600 is a PWM controller with advanced energy features to meet stringent world-wide energy efficiency requirements.

UCC28600 integrates built-in advanced energy saving features with high level protection features to provide cost effective solutions for energy efficient power supplies. UCC28600 incorporates frequency fold back and green mode operation to reduce the operation frequency at light load and no load operations.

UCC28600 is offered in the 8-pin SOIC (D) package. Operating junction temperature range is -40°C to 105°C.

### TYPICAL APPLICATION



Please be aware that an important notice concerning availability, standard warranty, and use in critical applications of Texas Instruments semiconductor products and disclaimers thereto appears at the end of this data sheet.

TrueDrive is a trademark of Texas Instruments.

## DESCRIPTION (CONT.)

The Design Calculator, (Texas Instruments Literature number SLVC104), located in the Tools and Software section of the UCC28600 product folder, provides a user-interactive iterative process for selecting recommended component values for an optimal design.

## ABSOLUTE MAXIMUM RATINGS

over operating free-air temperature range unless otherwise noted<sup>(1)</sup>

			UCC28600	UNIT
VDD	Supply voltage range	$I_{DD} < 20 \text{ mA}$	32	V
$I_{DD}$	Supply current		20	mA
$I_{OUT(sink)}$	Output sink current (peak)		1.2	A
$I_{OUT(source)}$	Output source current (peak)		-0.8	
	Analog inputs	FB, CS, SS	-0.3 to 6.0	V
$V_{OVP}$			-1.0 to 6.0	
$I_{OVP(source)}$			-1.0	mA
$V_{STATUS}$		VDD = 0 V to 30 V	30	V
	Power dissipation	SOIC-8 package, $T_A = 25^\circ\text{C}$	650	mW
$T_J$	Operating junction temperature range		-55 to 150	°C
$T_{stg}$	Storage temperature		-65 to 150	
$T_{LEAD}$	Lead temperature 1,6 mm (1/16 inch) from case for 10 seconds		300	

- (1) Stresses beyond those listed under “absolute maximum ratings” may cause permanent damage to the device. These are stress ratings only, and functional operation of the device at these or any other conditions beyond those indicated under “recommended operating conditions” is not implied. Exposure to absolute-maximum-rated conditions for extended periods may affect device reliability. All voltages are with respect to GND. Currents are positive into, negative out of the specified terminal. Consult Packaging Section of the databook for thermal limitations and considerations of packages.

## RECOMMENDED OPERATING CONDITIONS

			MIN	NOM	MAX	UNIT
VDD	Input voltage				21	V
$I_{OUT}$	Output sink current		0			A
$T_J$	Operating junction temperature		-40		105	°C

## ELECTROSTATIC DISCHARGE (ESD) PROTECTION

			MIN	MAX	UNIT
	Human body model			2000	V
	CDM			1500	

## ELECTRICAL CHARACTERISTICS

VDD = 15 V, 0.1- $\mu$ F capacitor from VDD to GND, 3.3-nF capacitor from SS to GND charged over 3.5 V, 500- $\Omega$  resistor from OVP to -0.1 V, FB = 4.8 V, STATUS = not connected, 1-nF capacitor from OUT to GND, CS = GND, T<sub>A</sub> = -40°C to 105°C, (unless otherwise noted)

PARAMETER		TEST CONDITIONS	MIN	TYP	MAX	UNIT
<b>Overall</b>						
I <sub>STARTUP</sub>	Startup current	VDD = V <sub>UVLO</sub> -0.3 V		12	25	$\mu$ A
I <sub>STANDBY</sub>	Standby current	V <sub>FB</sub> = 0 V		350	550	
I <sub>DD</sub>	Operating current	Not switching		2.5	3.5	mA
		130 kHz, QR mode		5.0	7.0	
	VDD clamp	FB = GND, I <sub>DD</sub> = 10 mA	21	26	32	V
<b>Undervoltage Lockout</b>						
VDD <sub>(uvlo)</sub>	Startup threshold		10.3	13.0	15.3	V
	Stop threshold		6.3	8	9.3	
$\Delta$ VDD <sub>(uvlo)</sub>	Hysteresis		4.0	5.0	6.0	
<b>PWM (Ramp)<sup>(1)</sup></b>						
D <sub>MIN</sub>	Minimum duty cycle	V <sub>SS</sub> = GND, V <sub>FB</sub> = 2 V			0%	
D <sub>MAX</sub>	Maximum duty cycle	QR mode, f <sub>S</sub> = max, (open loop)		99%		
<b>Oscillator (OSC)</b>						
f <sub>QR(max)</sub>	Maximum QR and DCM frequency		117	130	143	kHz
f <sub>QR(min)</sub>	Minimum QR and FFM frequency	V <sub>FB</sub> = 1.3 V	32	40	48	
f <sub>SS</sub>	Soft start frequency	V <sub>SS</sub> = 2.0 V	32	40	48	
dT <sub>S</sub> /dFB	VCO gain	T <sub>S</sub> for 1.6 V < V <sub>FB</sub> < 1.8 V	-38	-30	-22	$\mu$ s/V
<b>Feedback (FB)</b>						
R <sub>FB</sub>	Feedback pullup resistor		12	20	28	k $\Omega$
V <sub>FB</sub>	FB, no load	QR mode	3.30	4.87	6.00	V
	Green-mode ON threshold	V <sub>FB</sub> threshold	0.3	0.5	0.7	
	Green-mode OFF threshold	V <sub>FB</sub> threshold	1.2	1.4	1.6	
	Green-mode hysteresis	V <sub>FB</sub> threshold	0.7	0.9	1.1	
	FB threshold burst-ON	V <sub>FB</sub> during green mode	0.3	0.5	0.7	
	FB threshold burst-OFF	V <sub>FB</sub> during green mode	0.5	0.7	0.9	
	Burst Hysteresis	V <sub>FB</sub> during green mode	0.13	0.25	0.42	
<b>Status</b>						
R <sub>DS(on)</sub>	STATUS on resistance	V <sub>STATUS</sub> = 1 V	1.0	2.4	3.8	k $\Omega$
I <sub>STATUS(leakage)</sub>	STATUS leakage/off current	V <sub>FB</sub> = 0.44 V, V <sub>STATUS</sub> = 15 V	-0.1		2.0	$\mu$ A

(1) R<sub>SCT</sub> and C<sub>CST</sub> are not connected in the circuit for maximum and minimum duty cycle tests, current sense tests and power limit tests.

## ELECTRICAL CHARACTERISTICS (continued)

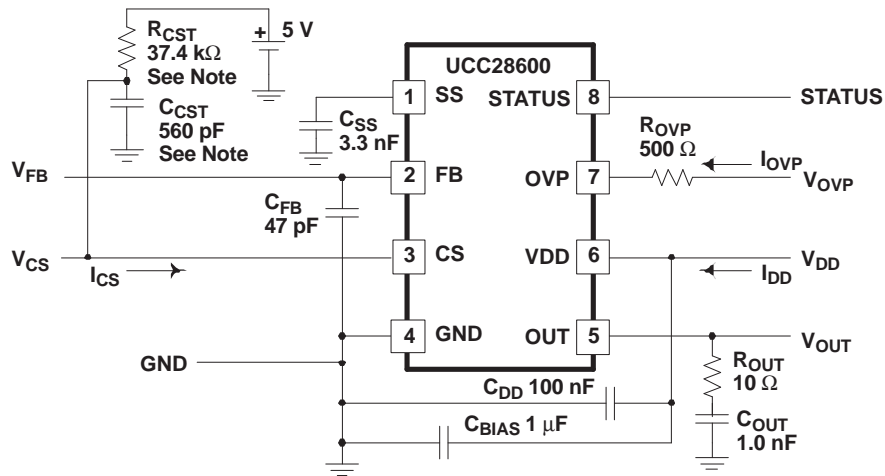
VDD = 15 V, 0.1- $\mu$ F capacitor from VDD to GND, 3.3-nF capacitor from SS to GND charged over 3.5 V, 500- $\Omega$  resistor from OVP to -0.1 V, FB = 4.8 V, STATUS = not connected, 1-nF capacitor from OUT to GND, CS = GND, T<sub>A</sub> = -40°C to 105°C, (unless otherwise noted)

PARAMETER		TEST CONDITIONS	MIN	TYP	MAX	UNIT
<b>Current Sense (CS)<sup>(2)</sup></b>						
A <sub>CS(FB)</sub>	Gain, FB = $\Delta V_{FB} / \Delta V_{CS}$	QR mode		2.5		V/V
	Shutdown threshold	V <sub>FB</sub> = 2.4 V, V <sub>SS</sub> = 0 V	1.13	1.25	1.38	V
	CS to output delay time (power limit)	CS = 1.0 V <sub>PULSE</sub>	100	175	300	ns
	CS to output delay time (over current fault)	CS = 1.45 V <sub>PULSE</sub>	50	100	150	
	CS discharge impedance	CS = 0.1 V, V <sub>SS</sub> = 0 V	25	115	250	$\Omega$
V <sub>CS(os)</sub>	CS offset	SS mode, V <sub>SS</sub> $\leq$ 2.0 V, via FB	0.35	0.40	0.45	V
<b>Power Limit (PL)<sup>(2)</sup></b>						
I <sub>PL(cs)</sub>	CS current	OVP = -300 $\mu$ A	-165	-150	-135	$\mu$ A
	CS working range	QR mode, peak CS voltage	0.70	0.81	0.92	V
V <sub>PL</sub>	PL threshold	Peak CS voltage + CS offset	1.05	1.20	1.37	
<b>Soft Start (SS)</b>						
I <sub>SS(chg)</sub>	Softstart charge current	V <sub>SS</sub> = GND	-8.3	-6.0	-4.5	$\mu$ A
I <sub>SS(dis)</sub>	Softstart discharge current	V <sub>SS</sub> = 0.5 V	2.0	5.0	10	mA
V <sub>SS</sub>	Switching ON threshold	Output switching start	0.8	1.0	1.2	V
<b>Overvoltage Protection (OVP)</b>						
I <sub>OVP(line)</sub>	Line overvoltage protection	I <sub>OVP</sub> threshold, OUT = HI	-512	-450	-370	$\mu$ A
V <sub>OVP(on)</sub>	OVP voltage at OUT = HIGH	V <sub>FB</sub> = 4.8 V, V <sub>SS</sub> = 5.0 V, I <sub>OVP(on)</sub> = -300 $\mu$ A	-125		-25	mV
V <sub>OVP(load)</sub>	Load overvoltage protection	V <sub>OVP</sub> threshold, OUT = LO	3.37	3.75	4.13	V
<b>Thermal Protection (TSP)</b>						
	Thermal shutdown (TSP) temperature <sup>(3)</sup>		130	140	150	$^{\circ}$ C
	Thermal shutdown hysteresis			15		
<b>OUT</b>						
t <sub>RISE</sub>	Rise time	10% to 90% of 13 V typical out clamp		50	75	ns
t <sub>FALL</sub>	Fall time			10	20	

(2) R<sub>SCT</sub> and C<sub>CST</sub> are not connected in the circuit for maximum and minimum duty cycle tests, current sense tests and power limit tests.

(3) Ensured by design. Not production tested.

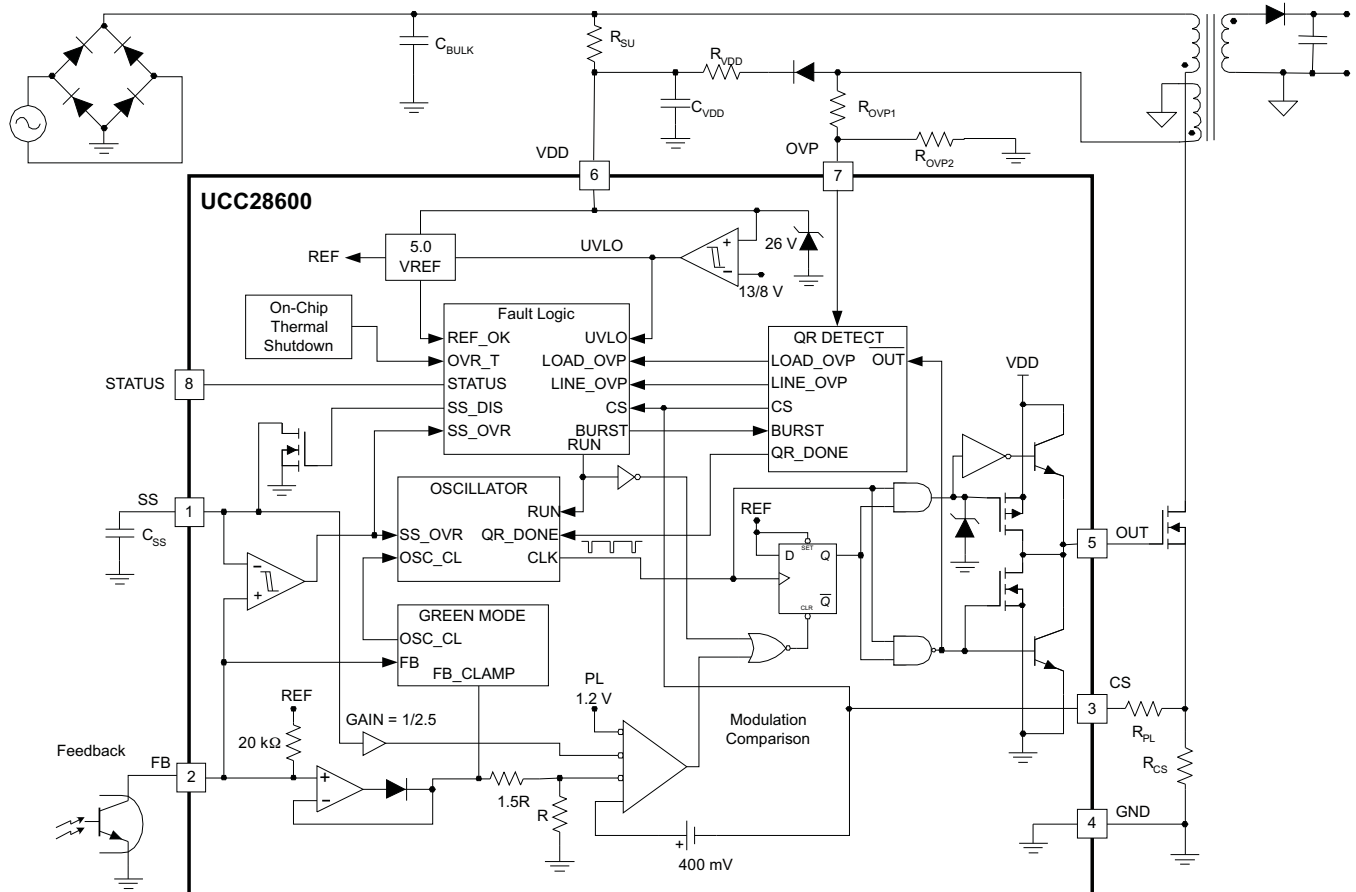
OPEN LOOP TEST CIRCUIT



NOTE

RCST and CCST are not connected for maximum and minimum duty cycle tests, current sense tests and power limit tests.

BLOCK DIAGRAM/TYPICAL APPLICATION



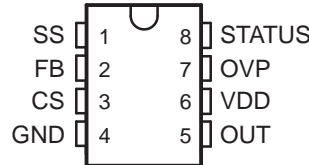
**ORDERING INFORMATION**

T <sub>A</sub>	PACKAGES	PART NUMBER
-40°C to 105°C	SOIC (D) <sup>(1)</sup>	UCC28600D

(1) SOIC (D) package is available taped and reeled by adding “R” to the above part numbers. Reeled quantities for UCC28600DR is 2,500 devices per reel.

**DEVICE INFORMATION**

UCC28600  
D PACKAGE  
(TOP VIEW)



**TERMINAL FUNCTIONS**

TERMINAL		I/O	DESCRIPTION
NAME	NO.		
CS	3	I	Current sense input. Also programs power limit, and used to control modulation and activate overcurrent protection. The CS voltage input originates across a current sense resistor and ground. Power limit is programmed with an effective series resistance between this pin and the current sense resistor.
FB	2	I	Feedback input or control input from the optocoupler to the PWM comparator used to control the peak current in the power MOSFET. An internal 20-kΩ resistor is between this pin and the internal 5-V regulated voltage. Connect the collector of the photo-transistor of the feedback optocoupler directly to this pin; connect the emitter of the photo-transistor to GND. The voltage of this pin controls the mode of operation in one of the three modes: quasi resonant (QR), frequency foldback mode (FFM) and green mode (GM).
GND	4	-	Ground for internal circuitry. Connect a ceramic 0.1-μF bypass capacitor between VDD and GND, with the capacitor as close to these two pins as possible.
OUT	5	O	1-A sink (TrueDrive™) and 0.75-A source gate drive output. This output drives the power MOSFET and switches between GND and the lower of VDD or the 13-V internal output clamp.
OVP	7	I	Over voltage protection (OVP) input senses line-OVP, load-OVP and the resonant trough for QR turn-on. Detect line, load and resonant conditions using the primary bias winding of the transformer, adjust sensitivity with resistors connected to this pin.
SS	1	I	Soft-start programming pin. Program the soft-start rate with a capacitor to ground; the rate is determined by the capacitance and the internal soft-start charge current. Placement of the soft-start capacitor is critical and should be placed as close as possible to the SS pin and GND, keeping trace length to a minimum. All faults discharge the SS pin to GND through an internal MOSFET with an R <sub>DS(on)</sub> of approximately 100 Ω. The internal modulator comparator reacts to the lowest of the SS voltage, the internal FB voltage and the peak current limit.
STATUS	8	O	ACTIVE HIGH open drain signal that indicates the device has entered standby mode. This pin can be used to disable the PFC control circuit (high impedance = green mode). STATUS pin is high during UVLO, (VDD < startup threshold), and softstart, (SS < FB).
VDD	6	I	Provides power to the device. Use a ceramic 0.1-μF by-pass capacitor for high-frequency filtering of the VDD pin, as described in the GND pin description. Operating energy is usually delivered from auxiliary winding. To prevent hiccup operation during start-up, a larger energy storage cap is also needed between VDD and GND.

**TERMINAL COMPONENTS**

TERMINAL		I/O	DESCRIPTION <sup>(1)</sup> <sup>(2)</sup> <sup>(3)</sup>
NAME	NO.		
CS	3	I	$R_{CS} = \frac{(V_{PL} - V_{CS(OS)})(I_{CS(2)} - I_{CS(1)})}{I_{CS(2)}I_{P(1)} - I_{CS(1)}I_{P(2)}} \quad (1)$
			$R_{PL} = \frac{(V_{PL} - V_{CS(OS)})(I_{P(2)} - I_{P(1)})}{I_{CS(1)}I_{P(2)} - I_{CS(2)}I_{P(1)}}$ <p>where:</p> <ul style="list-style-type: none"> <li>• <math>I_{P1}</math> is the peak primary current at low line, full load<sup>(3)</sup></li> <li>• <math>I_{P2}</math> is the peak primary current at high line, full load<sup>(3)</sup></li> <li>• <math>I_{CS1}</math> is the power limit current that is sourced at the CS pin at low-line voltage<sup>(3)</sup></li> <li>• <math>I_{CS2}</math> is the power limit current that is sourced at the CS pin at high-line voltage<sup>(3)</sup></li> <li>• <math>V_{PL}</math> is the Power Limit (PL) threshold<sup>(2)</sup></li> <li>• <math>V_{CS(OS)}</math> is the CS offset voltage<sup>(2)</sup></li> </ul>
FB	2	I	Opto-isolator collector
GND	4	-	Bypass capacitor to VDD, $C_{BP} = 0.1 \mu F$
OUT	5	O	Power MOSFET gate
OVP	7	I	$R_{OVP1} = \frac{1}{I_{OVP(line)}} \left( \frac{N_B}{N_P} V_{BULK(ov)} \right)$
			$R_{OVP2} = R_{OVP1} \left[ \frac{V_{OVP(load)}}{\frac{N_B}{N_S} (V_{OUT(shutdown)} + V_F) - V_{OVP(load)}} \right]$ <p>where:</p> <ul style="list-style-type: none"> <li>• <math>I_{OVP(line)}</math> is <math>OVP_{line}</math> current threshold<sup>(2)</sup></li> <li>• <math>V_{BULK(ov)}</math> is the allowed input over- voltage level<sup>(3)</sup></li> <li>• <math>V_{OVP(load)}</math> is <math>OVP_{load}</math><sup>(2)</sup></li> <li>• <math>V_{OUT(shutdown)}</math> is the allowed output over-voltage level<sup>(3)</sup></li> <li>• <math>V_F</math> is the forward voltage of the secondary rectifier</li> <li>• <math>N_B</math> is the number of turns on the bias winding<sup>(3)</sup></li> <li>• <math>N_S</math> is the number of turns on the secondary windings<sup>(3)</sup></li> <li>• <math>N_P</math> is the number of turns on the primary windings<sup>(3)</sup></li> </ul>

(1) Refer to [Figure 1](#) for all reference designators in the Terminal Components Table.

(2) Refer to the Electrical Characteristics Table for constant parameters.

(3) Refer to the UCC28600 Design Calculator (TI Literature Number SLVC104) or laboratory measurements for currents, voltages and times in the operational circuit.

**TERMINAL COMPONENTS (continued)**

TERMINAL		I/O	DESCRIPTION <sup>(1) (2) (3)</sup>
NAME	NO.		
SS	1	I	$C_{SS} > I_{SS} \times \frac{t_{SS(min)}(due\ power\ limit)}{A_{CS(FB)} \times (V_{PL} - V_{CS(0s)})}$ <p>where <math>t_{SS(min)}</math> is the greater of:</p> $t_{SS(min)} = \left[ \frac{-R_{LOAD(ss)} C_{OUT}}{2} \ln \left[ 1 - \frac{(V_{OUT} - \Delta V_{OUT(step)})^2}{R_{LOAD(ss)} P_{OUT(max)limit}} \right] \right]$ <p>or</p> $t_{SS(min)} = \left[ \frac{C_{OUT} V_{OUT}^2}{2 P_{LIM}} \right]$ <p style="text-align: right;">(2)</p> <ul style="list-style-type: none"> <li>• <math>R_{LOAD(ss)}</math> is the effective load impedance during soft-start<sup>(4)</sup></li> <li>• <math>\Delta V_{OUT(step)}</math> is the allowed change in <math>V_{OUT}</math> due to a load step<sup>(4)</sup></li> <li>• <math>P_{OUT(max\ limit)}</math> Programmed power limit level, in W<sup>(4)</sup></li> <li>• <math>A_{CS(FB)}</math> is the current sense gain<sup>(5)</sup></li> <li>• <math>V_{CS(0s)}</math> is the CS offset voltage<sup>(5)</sup></li> <li>• <math>I_{SS}</math> is the soft-start charging current<sup>(5)</sup></li> <li>• <math>V_{PL}</math> is the power limit threshold<sup>(5)</sup></li> </ul>
STATUS	8	O	$R_{ST2} = \frac{V_{BE(off)}}{I_{STATUS(leakage)}}$ $R_{ST1} = \frac{R_{ST2} \times \left[ VDD_{(uvlo-on)} - V_{BE(sat)} - R_{DS(on)} \times \left( \frac{I_{CC}}{\beta_{sat}} \right) \right] - R_{DS(on)} V_{BE(sat)}}{\left( \left( \frac{I_{CC}}{\beta_{sat}} \right) \times R_{ST2} \right) + V_{BE(sat)}}$ <p>where:</p> <ul style="list-style-type: none"> <li>• <math>\beta_{SAT}</math> is the gain of transistor <math>Q_{ST}</math> in saturation</li> <li>• <math>V_{BE(sat)}</math> is the base-emitter voltage of transistor <math>Q_{ST}</math> in saturation</li> <li>• <math>VDD_{(uvlo-on)}</math> is the startup threshold<sup>(5)</sup></li> <li>• <math>I_{CC}</math> is the collector current of <math>Q_{ST}</math></li> <li>• <math>I_{STATUS(leakage)}</math> is the maximum leakage/off current of the STATUS pin<sup>(5)</sup></li> <li>• <math>V_{BE(off)}</math> is the maximum allowable voltage across the base emitter junction that will not turn <math>Q_{ST}</math> on</li> <li>• <math>R_{DS(on)}</math> is the <math>R_{DS(on)}</math> of STATUS<sup>(5)</sup></li> </ul>

(4) Refer to the UCC28600 Design Calculator (TI Literature Number SLVC104) or laboratory measurements for currents, voltages and times in the operational circuit.

(5) Refer to the Electrical Characteristics Table for constant parameters.



**TERMINAL COMPONENTS (continued)**

TERMINAL		I/O	DESCRIPTION <sup>(1) (2) (3)</sup>
NAME	NO.		
VDD	6	I	<p><math>C_{VDD}</math> is the greater of:</p> $C_{VDD} = \left[ \left( I_{DD} + C_{ISS} V_{OUT(hi)} f_{QR(max)} \right) \frac{T_{BURST}}{\Delta V_{DD(burst)}} \right]$ <p>or</p> $C_{VDD} = \left[ \left( I_{DD} + C_{ISS} V_{OUT(hi)} f_{QR(max)} \right) \frac{t_{SS}}{\Delta V_{DD(uvlo)}} \right]$ $R_{VDD} = \left( \frac{\pi}{4} \right) \left( \frac{N_B}{NP} \right) \left[ \frac{\left( V_{DS1(os)} f_{QR(max)} \sqrt{L_{LEAKAGE} (C_D + C_{SNUB})} \right)}{I_{DD} + C_{ISS} V_{OUT(hi)} f_{QR(max)}} \right]$ $R_{SU} = \frac{V_{BULK(min)}}{I_{STARTUP}}$ <p>where:</p> <ul style="list-style-type: none"> <li>• <math>I_{DD}</math> is the operating current of the UCC28600<sup>(6)</sup></li> <li>• <math>C_{ISS}</math> is the input capacitance of MOSFET M<sub>1</sub></li> <li>• <math>V_{OUT(hi)}</math> is VOH of the OUT pin, either 13 V (typ) V<sub>OUT</sub> clamp or less as measured</li> <li>• <math>f_{QR(max)}</math> is f<sub>S</sub> at high line, maximum load<sup>(6)</sup></li> <li>• <math>T_{BURST}</math> is the measured burst mode period</li> <li>• <math>\Delta V_{DD(burst)}</math> is the allowed V<sub>DD</sub> ripple during burst mode</li> <li>• <math>\Delta V_{DD(uvlo)}</math> is the UVLO hysteresis<sup>(6)</sup></li> <li>• <math>V_{DS1(os)}</math> is the amount of drain-source overshoot voltage</li> <li>• <math>L_{LEAKAGE}</math> is the leakage inductance of the primary winding</li> <li>• <math>C_D</math> is the total drain node capacitance of MOSFET M<sub>1</sub></li> <li>• <math>I_{STARTUP}</math> is I<sub>DD</sub> start-up current of the UCC28600<sup>(6)</sup></li> <li>• <math>C_{SNUB}</math> is the snubber capacitor value</li> <li>• <math>t_{SS}</math> is the soft start charge time<sup>(7)</sup></li> </ul>

(3)

(6) Refer to the Electrical Characteristics Table for constant parameters.

(7) Refer to the UCC28600 Design Calculator (TI Literature Number SLVC104) or laboratory measurements for currents, voltages and times in the operational circuit.

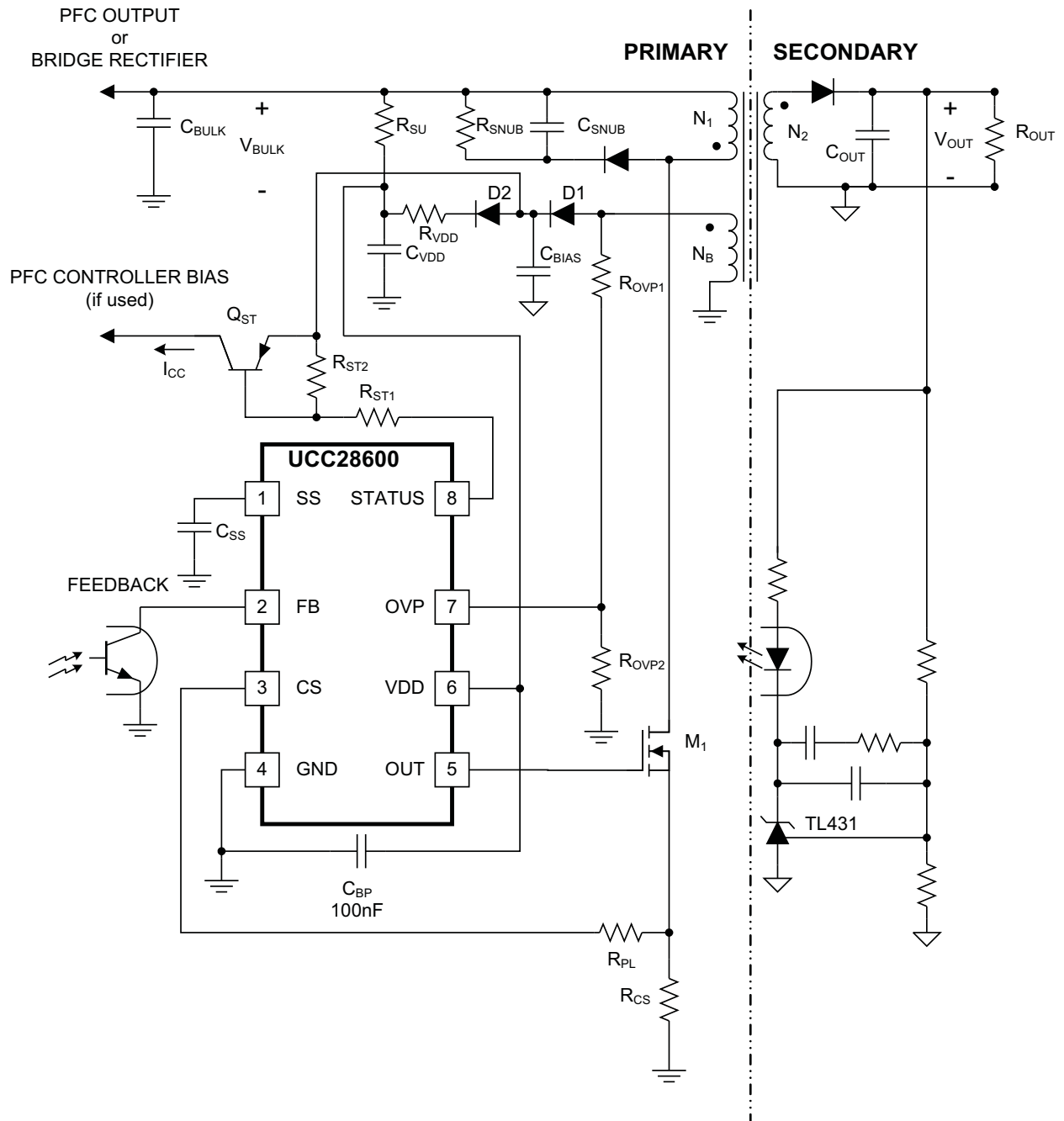


Figure 1. Pin Termination Schematic

## APPLICATION INFORMATION

### Functional Description

The UCC28600 is a multi-mode controller, as illustrated in Figure 3 and Figure 4. The mode of operation depends upon line and load conditions. Under all modes of operation, the UCC28600 terminates the OUT = HI signal based on the switch current. Thus, the UCC28600 always operates in current mode control so that the power MOSFET current is always limited.

Under normal operating conditions, the FB pin commands the operating mode of the UCC28600 at the voltage thresholds shown in Figure 2. Soft-start and fault responses are the exception. Soft-start mode hard-switch controls the converter at 40 kHz. The soft-start mode is latched-OFF when  $V_{FB}$  becomes less than  $V_{SS}$  for the first time after  $UVLO_{ON}$ . The soft-start state cannot be recovered until after passing  $UVLO_{OFF}$ , and then,  $UVLO_{ON}$ .

At normal rated operating loads (from 100% to approximately 30% full rated power) the UCC28600 controls the converter in quasi-resonant mode (QRM) or discontinuous conduction mode (DCM), where DCM operation is at the clamped maximum switching frequency (130 kHz). For loads that are between approximately 30% and 10% full rated power, the converter operates in frequency foldback mode (FFM), where the peak switch current is constant and the output voltage is regulated by modulating the switching frequency for a given and fixed  $V_{IN}$ . Effectively, operation in FFM results in the application of constant volt-seconds to the flyback transformer each switching cycle. Voltage regulation in FFM is achieved by varying the switching frequency in the range from 130 kHz to 40 kHz. For extremely light loads (below approximately 10% full rated power), the converter is controlled using bursts of 40-kHz pulses. Keep in mind that the aforementioned boundaries of steady-state operation are approximate because they are subject to converter design parameters.

Refer to the typical applications block diagram for the electrical connections to implement the features.

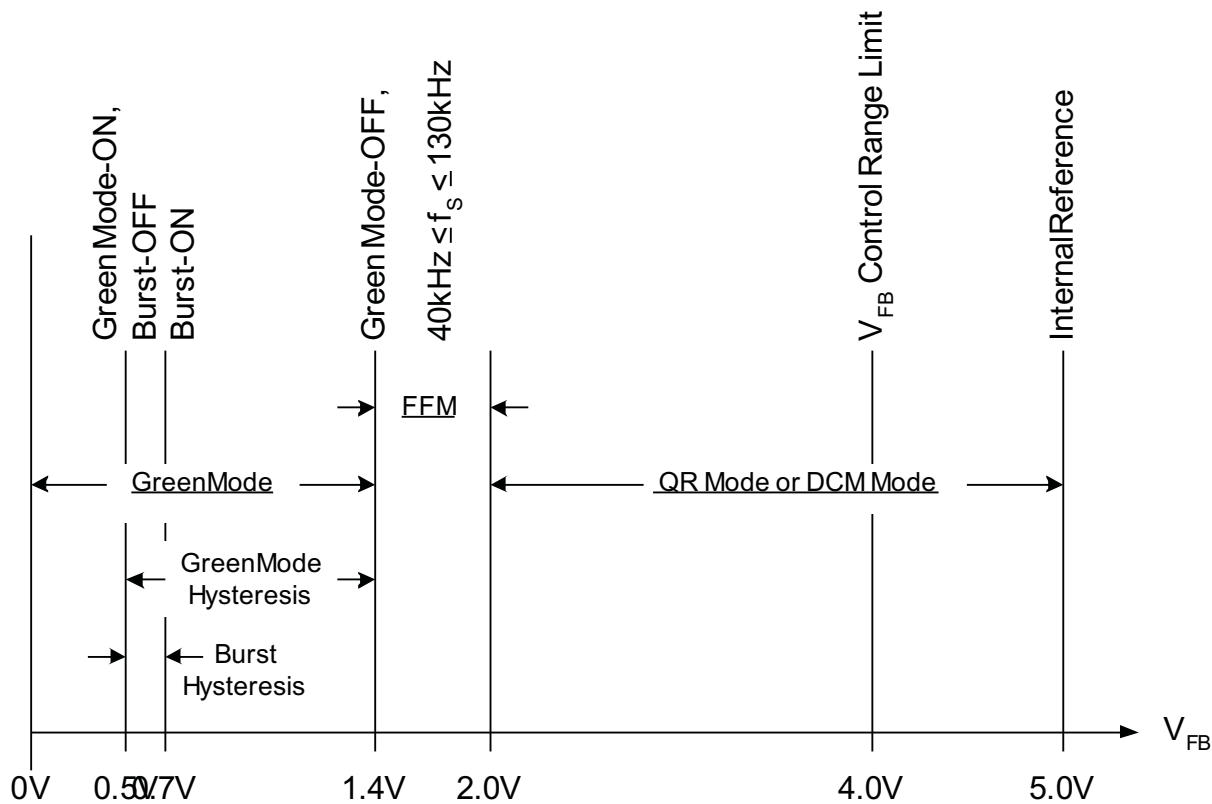


Figure 2. Mode Control with FB Pin Voltage

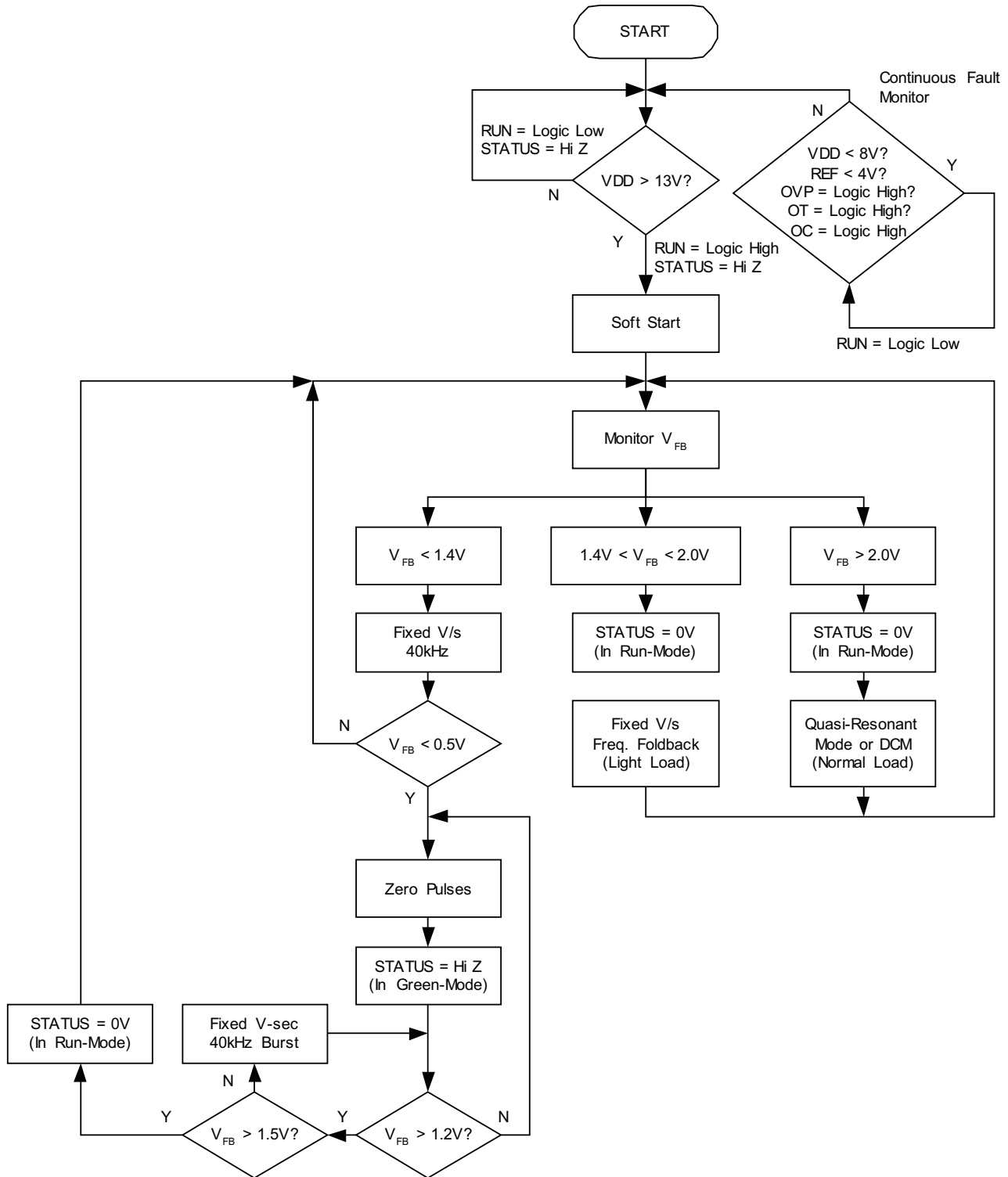


Figure 3. Control Flow Chart

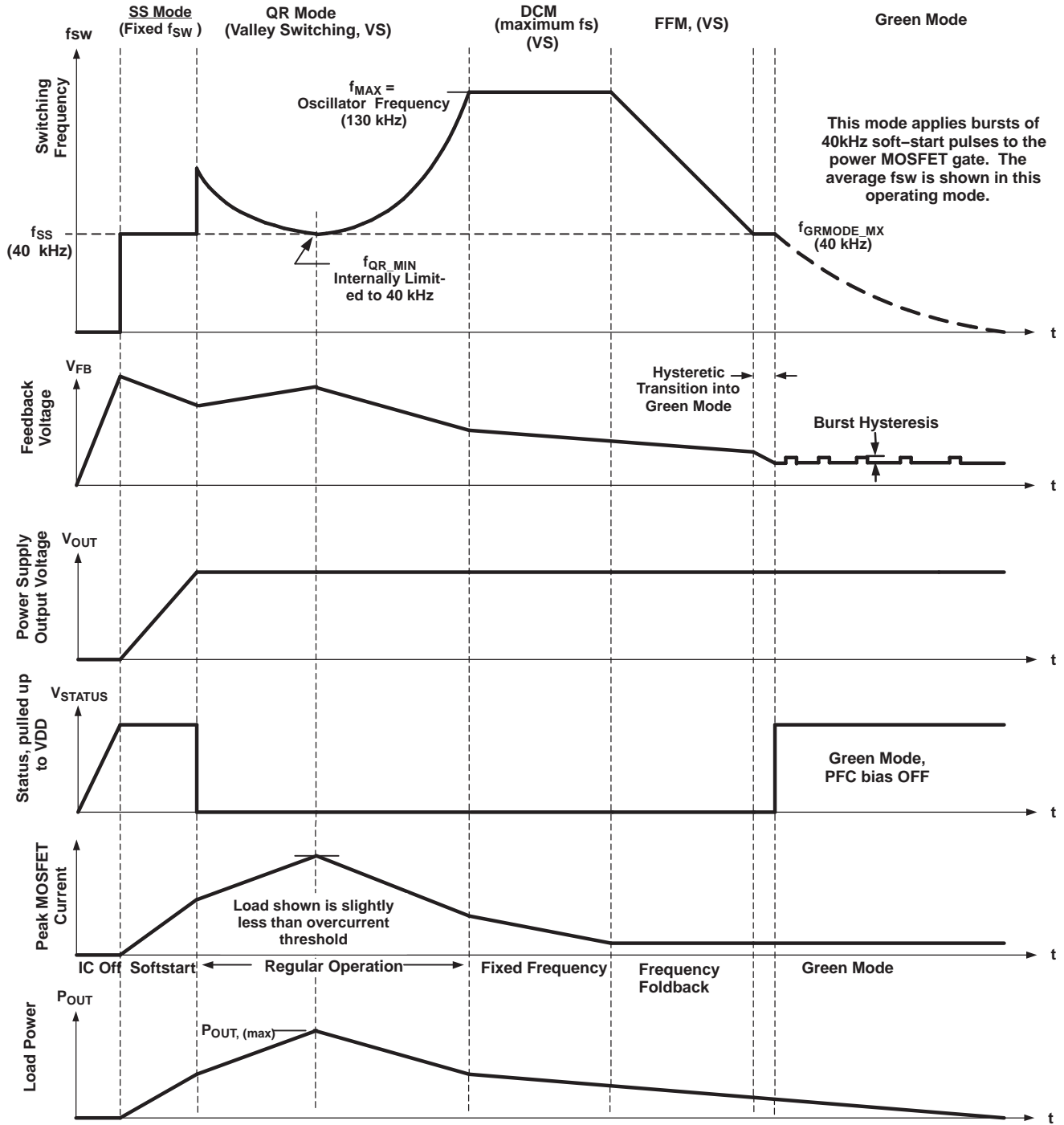


Figure 4. Operation Mode Switching Frequencies

Details of the functional boxes in the Block Diagram/Typical Application drawing are shown in [Figure 5](#), [Figure 6](#), [Figure 7](#) and [Figure 8](#). These figures conceptualize how the UCC28600 executes the command of the FB voltage to have the responses that are shown in [Figure 2](#), [Figure 3](#) and [Figure 4](#). The details of the functional boxes also conceptualize the various fault detections and responses that are included in the UCC28600. During all modes of operation, this controller operates in current mode control. This allows the UCC28600 to monitor the FB voltage to determine and respond to the varying load levels such as heavy, light or ultra-light.

Quasi-resonant mode and DCM occurs for feedback voltages  $V_{FB}$  between 2.0 V and 4.0 V, respectively. In turn, the CS voltage is commanded to be between 0.4 V and 0.8 V. A cycle-by-cycle power limit imposes a fixed 0.8-V limit on the CS voltage. An overcurrent shutdown threshold in the fault logic gives added protection against high-current, slew-rate shorted winding faults, shown in [Figure 8](#). The power limit feature in the QR DETECT circuit of [Figure 7](#) adds an offset to the CS signal that is proportional to the line voltage. The power limit feature is programmed with  $R_{PL}$ , as shown in the typical applications diagram.

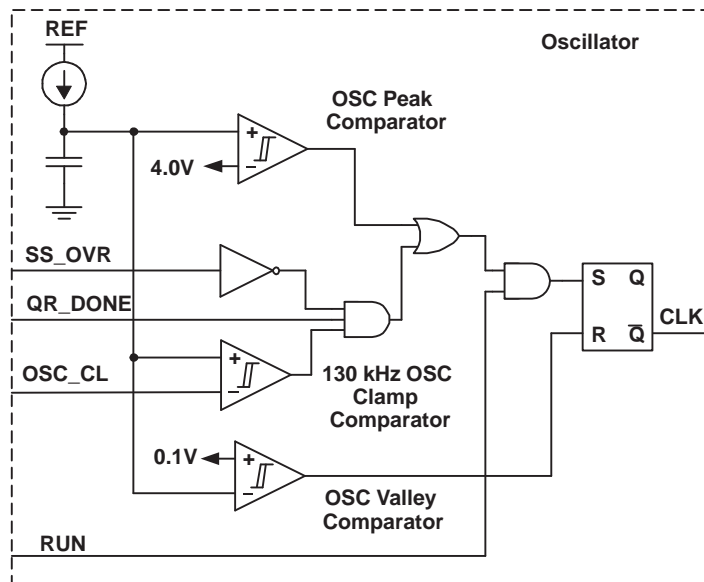


Figure 5. Oscillator Details

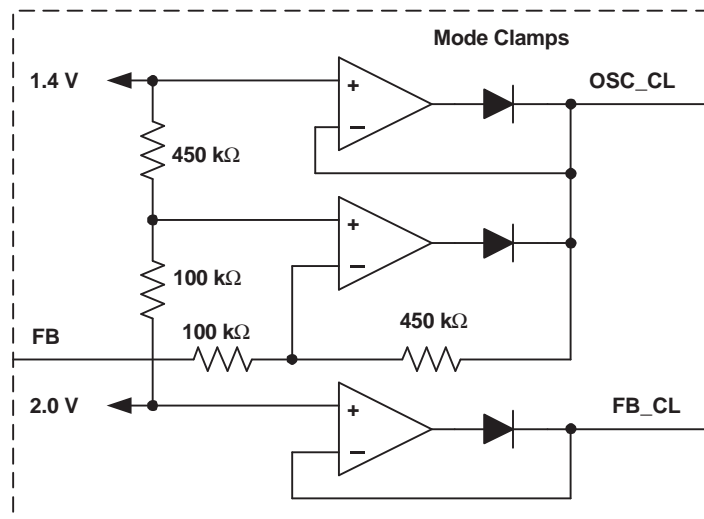


Figure 6. Mode Clamp Details

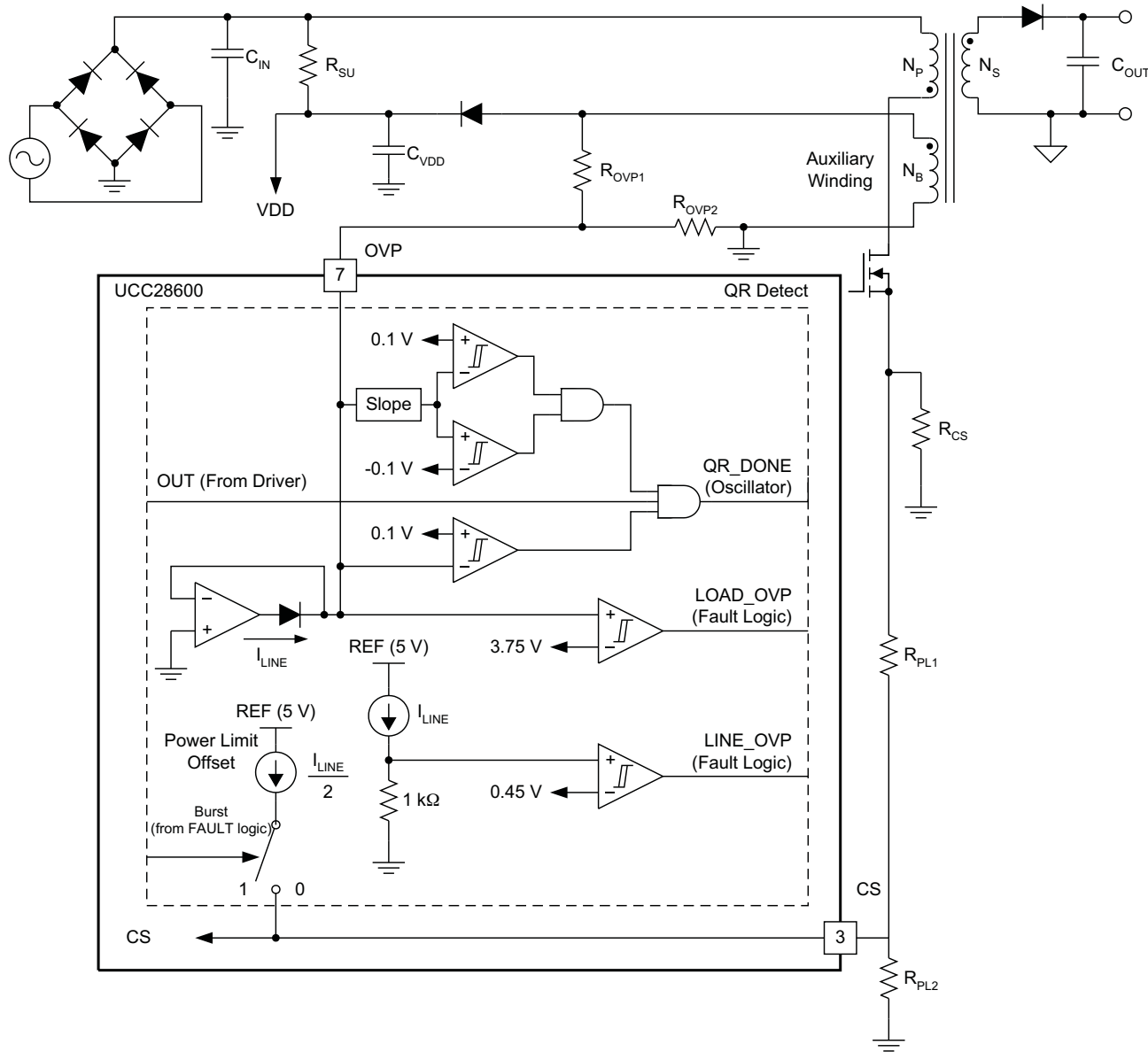


Figure 7. QR Detect Details

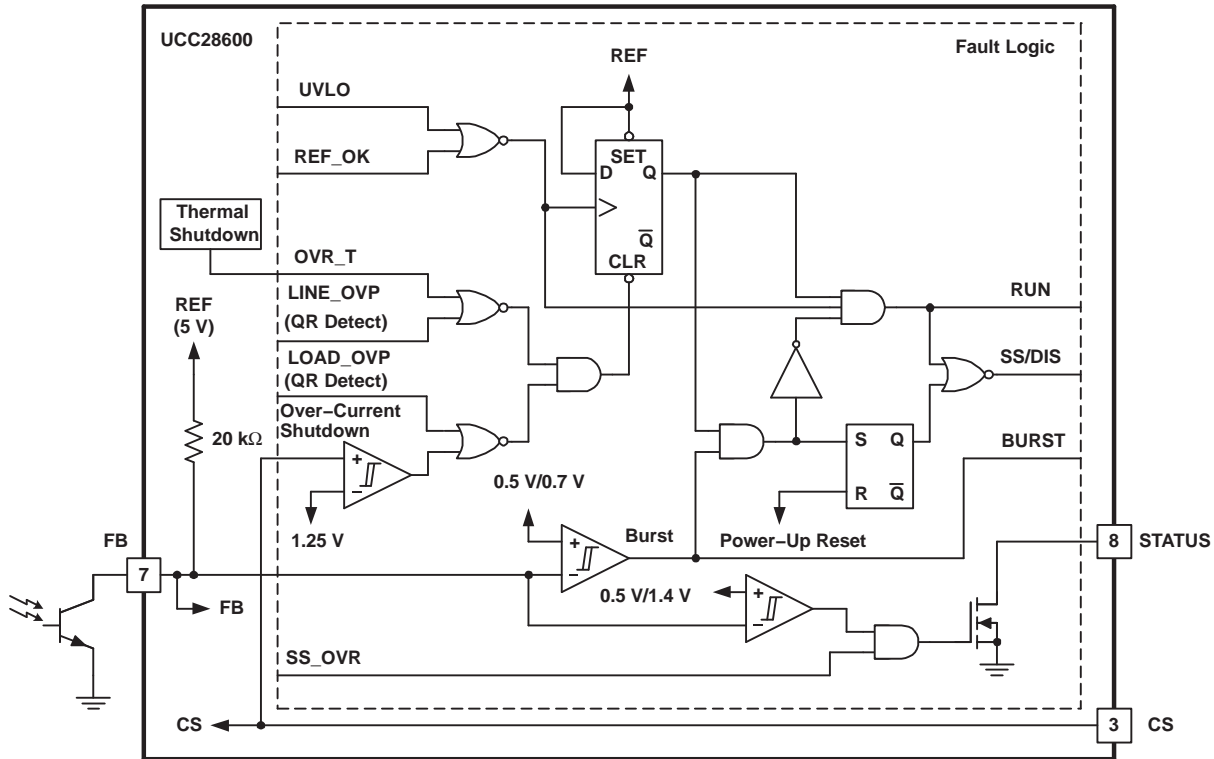


Figure 8. Fault Logic Details

### Quasi-Resonant / DCM Control

Quasi-resonant (QR) and DCM operation occur for feedback voltages  $V_{FB}$  between 2.0 V and 4.0 V. In turn, the peak CS voltage is commanded to be between 0.4 V and 0.8 V. During this control mode, the rising edge of OUT always occurs at the valley of the resonant ring after demagnetization. Resonant valley switching is an integral part of QR operation. Resonant valley switching is also imposed if the system operates at the maximum switching frequency clamp. In other words, the frequency varies in DCM operation in order to have the switching event occur on the first resonant valley that occurs after a 7.7- $\mu$ s (130-kHz) interval. Notice that the CS pin has an internal dependent current source,  $1/2 I_{LINE}$ . This current source is part of the cycle-by-cycle power limit function that is discussed in the Protection Features section.

### Frequency Foldback Mode Control

Frequency foldback mode uses elements of the FAULT LOGIC, shown in Figure 8 and the mode clamp circuit, shown in Figure 6. At the minimum operating frequency, the internal oscillator sawtooth waveform has a peak of 4.0 V and a valley of 0.1 V. When the FB voltage is between 2.0 V and 1.4 V, the FB\_CL signal in Figure 6 commands the oscillator in a voltage controlled oscillator (VCO) mode by clamping the peak oscillator voltage. The additional clamps in the OSCILLATOR restrict VCO operation between 40 kHz and 130 kHz. The FB\_CL voltage is reflected to the modulator comparator effectively clamping the reflected CS command to 0.4 V.

### Green-Mode Control

Green mode uses element of the fault logic, shown in Figure 8 and the mode clamps circuit, shown in Figure 6. The OSC\_CL signal clamps the Green-mode operating frequency at 40 kHz. Thus, when the FB voltage is between 1.4 V and 0.5 V, the controller is commanding an excess of energy to be transferred to the load which in turn, drives the error higher and FB lower. When FB reaches 0.5 V, OUT pulses are terminated and do not resume until FB reaches 0.7 V. In this mode, the converter operates in hysteretic control with the OUT pulse terminated at a fixed CS voltage level of 0.4 V. The power limit offset is turned OFF during Green mode and it returns to ON when FB is above 1.4 V, as depicted in Figure 8. Green mode reduces the average switching frequency in order to minimize switching losses and increase the efficiency at light load conditions.



## Fault Logic

Advanced logic control coordinates the fault detections to provide proper power supply recovery. This provides the conditioning for the thermal protection. Line overvoltage protection (line OVP) and load OVP are implemented in this block. It prevents operation when the internal reference is below 4.5 V. If a fault is detected in the thermal shutdown, line OVP, load OVP, or REF, the UCC28600 undergoes a shutdown/retry cycle.

Refer to the fault logic diagram in Figure 8 and the QR detect diagram in Figure 7 to program line OVP and load OVP. To program the load OVP, select the  $R_{OVP1} - R_{OVP2}$  divider ratio to be 3.75 V at the desired output shut-down voltage. To program line OVP, select the impedance of the  $R_{OVP1} - R_{OVP2}$  combination to draw 450  $\mu$ A when the  $V_{OVP}$  is 0.45 V during the ON-time of the power MOSFET at the highest allowable input voltage.

## Oscillator

The oscillator, shown in Figure 5, is internally set and trimmed so it is clamped by the circuit in Figure 5 to a nominal 130-kHz maximum operating frequency. It also has a minimum frequency clamp of 40 kHz. If the FB voltage tries to drive operation to less than 40 kHz, the converter operates in green mode.

## Status

The STATUS pin is an open drain output, as shown in Figure 8. The status output goes into the OFF-state when FB falls below 0.5 V and it returns to the ON-state (low impedance to GND) when FB rises above 1.4 V. This pin is used to control bias power for a PFC stage, as shown in Figure 9. Key elements for implementing this function include  $Q_{ST}$ ,  $R_{ST1}$  and  $R_{ST2}$ , as shown in the figure. Resistors  $R_{ST1}$  and  $R_{ST2}$  are selected to saturate  $Q_{ST}$  when it is desirable for the PFC to be operational. During green mode, the STATUS pin becomes a high impedance and  $R_{ST1}$  causes  $Q_{ST}$  to turn-OFF, thus saving bias power. If necessary, use a zener diode and a resistor ( $D_{Z1}$  and  $R_{CC}$ ) to maintain  $V_{CC}$  in the safe operating range of the PFC controller. Note the  $D_{VDD} - C_{VDD}$  combination is in addition to the standard  $D_{BIAS} - C_{BIAS}$  components. This added stage is required to isolate the STATUS circuitry from the startup resistor,  $R_{SU}$ , to ensure there is no conduction through STATUS when VDD is below the UVLO turn-on threshold.

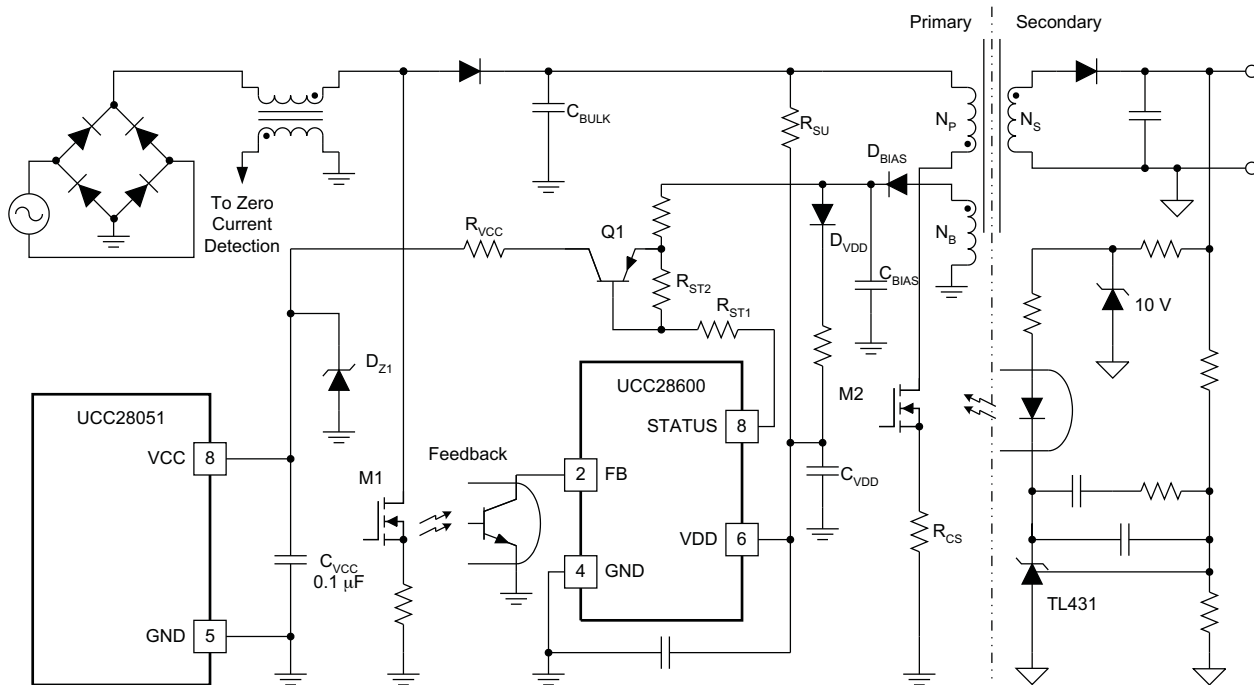


Figure 9. Using STATUS for PFC Shut-Down During Green Mode

## Operating Mode Programming

Boundaries of the operating modes are programmed by the flyback transformer and the four components  $R_{PL}$ ,  $R_{CS}$ ,  $R_{OVP1}$  and  $R_{OVP2}$ ; shown in the Block Diagram/Application drawing.

The transformer characteristics that predominantly affect the modes are the magnetizing inductance of the primary and the magnitude of the output voltage, reflected to the primary. To a lesser degree (yet significant), the boundaries are affected by the MOSFET output capacitance and transformer leakage inductance. The design procedure here is to select a magnetizing inductance and a reflected output voltage that operates at the DCM/CCM boundary at maximum load and maximum line. The actual inductance should be noticeably smaller to account for the ring between the magnetizing inductance and the total stray capacitance measured at the drain of the power MOSFET. This programs the QR/DCM boundary of operation. All other mode boundaries are preset with the thresholds in the oscillator and green-mode blocks.

The four components  $R_{PL}$ ,  $R_{CS}$ ,  $R_{OVP1}$  and  $R_{OVP2}$  must be programmed as a set due to the interactions of the functions. The use of the UCC28600 design calculator, TI Literature Number SLVC104, is highly recommended in order to achieve the desired results with a careful balance between the transformer parameters and the programming resistors.

## Protection Features

The UCC28600 has many protection features that are found only on larger, full featured controllers. Refer to the Block Diagram/Typical Application and Figures 1, 4, 5, 6 and 7 for detailed block descriptions that show how the features are integrated into the normal control functions.

### Overtemperature

Overtemperature lockout typically occurs when the substrate temperature reaches 140°C. Retry is allowed if the substrate temperature reduces by the hysteresis value. Upon an overtemperature fault,  $C_{SS}$  on softstart is discharged and STATUS is forced to a high impedance.

### Cycle-by-Cycle Power Limit

The cycle terminates when the CS voltage plus the power limit offset exceeds 1.2 V.

In order to have power limited over the full line voltage range of the QR Flyback converter, the CS pin voltage must have a component that is proportional to the primary current plus a component that is proportional to the line voltage due to predictable switching frequency variations due to line voltage. At power limit, the CS pin voltage plus the internal CS offset is compared against a constant 1.2-V reference in the PWM comparator. Thus during cycle-by-cycle power limit, the peak CS voltage is typically 0.8 V.

The current that is sourced from the OVP pin ( $I_{LINE}$ ) is reflected to a dependent current source of  $\frac{1}{2} I_{LINE}$ , that is connected to the CS pin. The power limit function can be programmed by a resistor,  $R_{PL}$ , that is between the CS pin and the current sense resistor. The current,  $I_{LINE}$ , is proportional to line voltage by the transformer turns ratio  $N_B/N_P$  and resistor  $R_{OVP1}$ . Current  $I_{LINE}$  is programmed to set the line over voltage protection. Resistor  $R_{PL}$  results in the addition of a voltage to the current sense signal that is proportional to the line voltage. The proper amount of additional voltage has the effect of limiting the power on a cycle-by-cycle basis. Note that  $R_{CS}$ ,  $R_{PL}$ ,  $R_{OVP1}$  and  $R_{OVP2}$  must be adjusted as a set due to the functional interactions.

### Current Limit

When the primary current exceeds maximum current level which is indicated by a voltage of 1.25 V at the CS pin, the device initiates a shutdown. Retry occurs after a  $UVLO_{OFF}/UVLO_{ON}$  cycle.

### Over-Voltage Protection

Line and load over voltage protection is programmed with the transformer turn ratios,  $R_{OVP1}$  and  $R_{OVP2}$ . The OVP pin has a 0-V voltage source that can only source current; OVP cannot sink current.

Line over voltage protection occurs when the OVP pin is clamped at 0 V. When the bias winding is negative, during  $OUT = HI$  or portions of the resonant ring, the 0-V voltage source clamps OVP to 0 V and the current that is sourced from the OVP pin is mirrored to the Line\_OVP comparator and the QR detection circuit. The Line\_OVP comparator initiates a shutdown-retry sequence if OVP sources any more than 450  $\mu A$ .

Load-over voltage protection occurs when the OVP pin voltage is positive. When the bias winding is positive, during demagnetization or portions of the resonant ring, the OVP pin voltage is positive. If the OVP voltage is greater than 3.75 V, the device initiates a shutdown. Retry occurs after a  $UVLO_{OFF}/UVLO_{ON}$  cycle.

### Undervoltage Lockout

Protection is provided to guard against operation during unfavorable bias conditions. Undervoltage lockout (UVLO) always monitors VDD to prevent operation below the UVLO threshold.

TYPICAL CHARACTERISTICS

CLAMP VOLTAGE  
vs  
TEMPERATURE

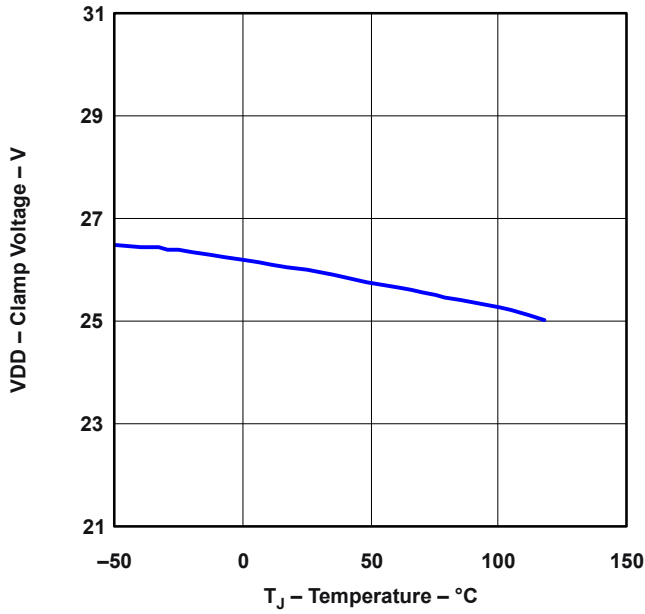


Figure 10.

SWITCHING FREQUENCY  
vs  
TEMPERATURE

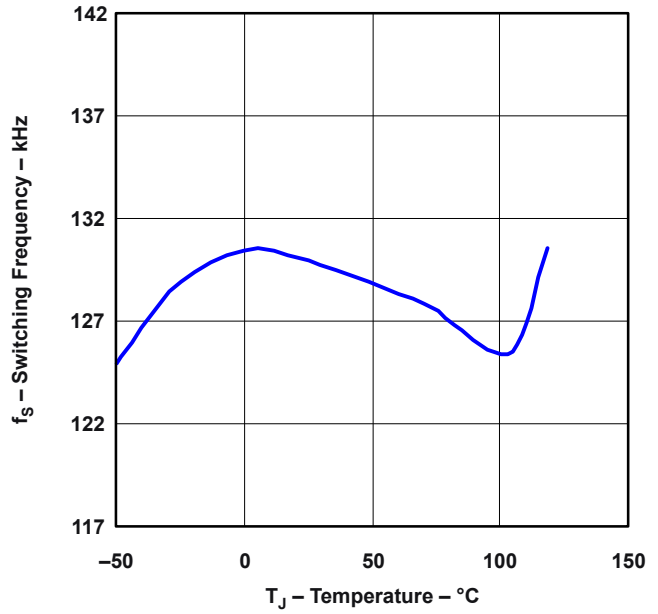


Figure 11.

PL THRESHOLD  
vs  
TEMPERATURE

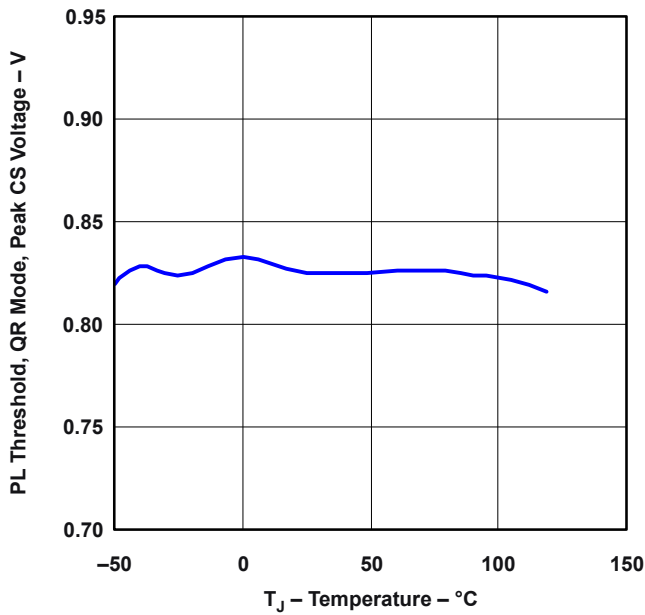


Figure 12.

OVER VOLTAGE PROTECTION THRESHOLD  
vs  
TEMPERATURE

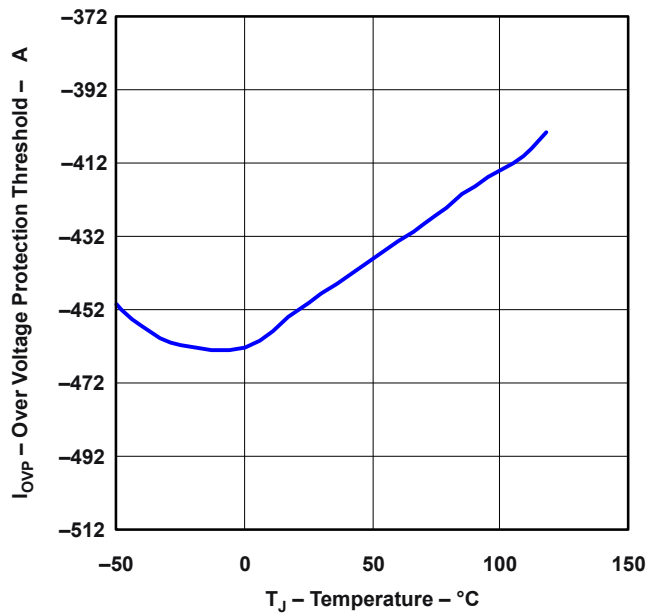


Figure 13.

## PRACTICAL DESIGN NOTES

### Non-Ideal Current Sense Value

Resistors  $R_{CS}$ ,  $R_{PL}$ ,  $R_{OVP1}$  and  $R_{OVP2}$  must be programmed as a set due to functional interactions in the converter. Often, the ideal value for  $R_{CS}$  is not available because the selection range of current sense resistors is too coarse to meet the required power limit tolerances. This issue can be solved by using the next larger available value of  $R_{CS}$  and use a resistive divider with a Thevenin resistance that is equal to the ideal  $R_{PL}$  value in order to attenuate the CS signal to its ideal value, as shown in Figure 14. The equations for modifying the circuit are:

$$R_{PL1} = R_{PL} \times \left( \frac{R_{CS}}{R_{DCS}} \right) \quad (4)$$

- $R_{DCS}$  = ideal, but non-standard, value of current sense resistor.
- $R_{PL}$  = previously calculated value of the power limit resistor.

$$R_{PL2} = \frac{R_{PL1}}{\left( \frac{R_{CS}}{R_{DCS}} \right) - 1} \quad (5)$$

- $R_{CS}$  = available, standard value current sense resistor.

The board should be laid out to include  $R_{PL2}$  in order to facilitate final optimization of the design based upon readily available components.

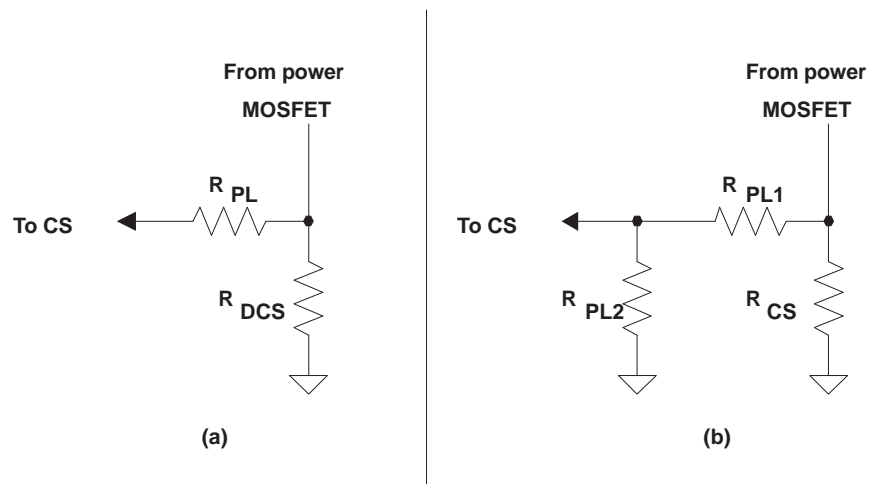


Figure 14. Modifications to Fit a Standard Current Sense Resistor Value

### Snubber Damping

Resonance between the leakage inductance and the MOSFET drain capacitance can cause false load-OVP faults, in spite of the typical 2- $\mu$ s delay in load-OVP detection. The bias winding is sensitive to the overshoot and ringing because it is well coupled to the primary winding. A technique to eliminate the problem is to use an R<sup>2</sup>CD snubber instead of an RCD snubber, shown in Figure 15. A damping resistor added to the RCD snubber reduces ringing between the drain capacitor and the inductance when the snubber diode commutates OFF.

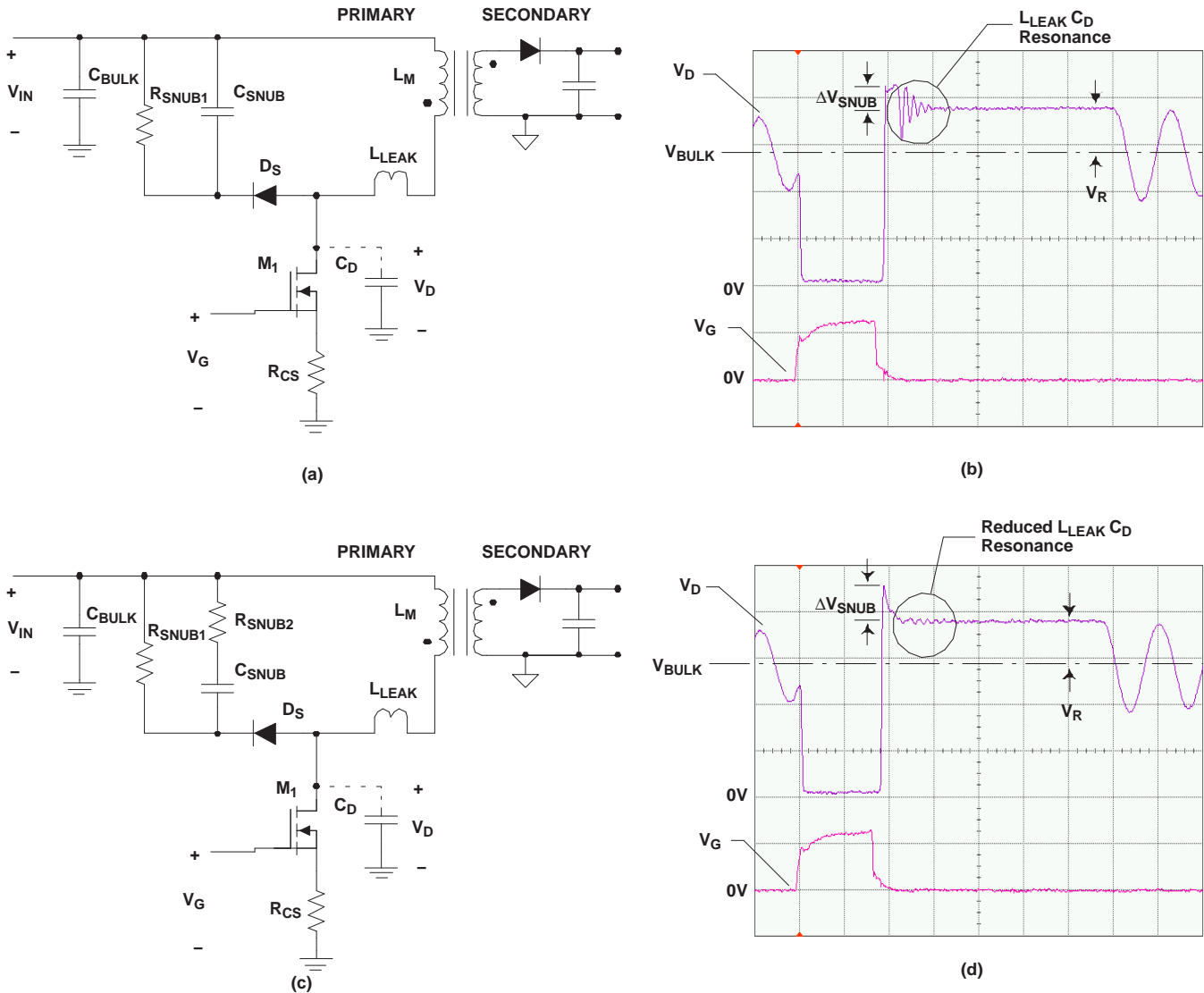


Figure 15. (a) RCD Snubber, (b) RCD Snubber Waveform, (c) R<sup>2</sup>CD Snubber, (d) R<sup>2</sup>CD Snubber Waveform

Begin the design of the R<sup>2</sup>CD using the same procedure as designing an RCD snubber. Then, add the damping resistor, R<sub>SNUB2</sub>. The procedure is as follows:

Pick  $\frac{\Delta V_{\text{SNUB}}}{V_R} =$  between 0.5 and 1

$$(6)$$

Select a capacitor for  $\Delta V_{\text{SNUB}}$ :

$$C_{\text{SNUB}} = \frac{I_{\text{CS(peak)}}^2 L_{\text{LEAK}}}{(V_R + \Delta V_{\text{SNUB}})^2 - V_R^2}$$

$$(7)$$

Pick R<sub>SNUB</sub> to discharge C<sub>SNUB</sub>:

$$R_{\text{SNUB1}} = \left( \frac{1}{2} + \frac{V_R}{\Delta V_{\text{SNUB}}} \right) \frac{1}{C_{\text{SNUB}}} \left( \frac{1}{f_{\text{S(max)}}} - \frac{L_{\text{LEAK}} I_{\text{CS(peak)}}}{\Delta V_{\text{SNUB}}} \right)$$

$$(8)$$

$$P(R_{\text{SNUB1}}) = \frac{\left( V_R + \frac{\Delta V_{\text{SNUB}}}{2} \right)^2 \times \left[ 1 + \left( \frac{1}{3} \right) \times \left[ \frac{1}{\frac{V_R}{V_{\text{SNUB}}} + \frac{1}{2}} \right] \right]^2}{R_{\text{SNUB1}}}$$

$$(9)$$

Pick R<sub>SNUB2</sub> to dampen the L<sub>LEAK</sub>-C<sub>SNUB</sub> resonance with a Q that is between 1.7 and 2.2:

$$R_{\text{SNUB2}} = \frac{\Delta V_{\text{SNUB}}}{I_{\text{CS(peak)}}}$$

$$(10)$$

$$P(R_{\text{SNUB}}) = I_{\text{CS(peak)}}^2 R_{\text{SNUB2}} \left[ \frac{1}{3} \frac{L_{\text{LEAK}} f_{\text{S(max)}}}{\left( V_R + \frac{\Delta V_{\text{SNUB}}}{2} \right)} \right]$$

$$(11)$$

For the original selection of  $\Delta V_{\text{SNUB}}$ ,

$$Q = \sqrt{\frac{2V_R}{\Delta V_{\text{SNUB}}} + 1}$$

$$(12)$$

**REFERENCES**

1. Power Supply Seminar SEM-1400 Topic 2: *Design And Application Guide For High Speed MOSFET Gate Drive Circuits*, by Laszlo Balogh, Texas Instruments Literature Number SLUP133
2. Datasheet, *UCC3581 Micro Power PWM Controller*, Texas Instruments Literature Number SLUS295
3. Datasheet, *UCC28051 Transition Mode PFC Controller*, Texas Instruments Literature Number SLUS515
4. UCC28600 Design Calculator, *A QR Flyback Designer.xls*, spreadsheet for Microsoft Excel 2003, Texas Instruments Literature Number SLVC104
5. Design Considerations for the UCC28600, Texas Instruments Literature Number SLUA399

**RELATED PRODUCTS**

- UCC28051 Transition Mode PFC Controller (SLUS515)
- UCC3581 Micro Power PWM Controller (SLUS295)

**REVISION HISTORY**

Changes from Revision H (November 2005) to Revision I	Page
• Changed <a href="#">Equation 9</a> .....	23



**PACKAGING INFORMATION**

Orderable Device	Status (1)	Package Type	Package Drawing	Pins	Package Qty	Eco Plan (2)	Lead/Ball Finish	MSL Peak Temp (3)	Op Temp (°C)	Top-Side Markings (4)	Samples
UCC28600D	ACTIVE	SOIC	D	8	75	Green (RoHS & no Sb/Br)	CU NIPDAU	Level-1-260C-UNLIM	-40 to 105	28600D	<a href="#">Samples</a>
UCC28600DG4	ACTIVE	SOIC	D	8	75	Green (RoHS & no Sb/Br)	CU NIPDAU	Level-1-260C-UNLIM	-40 to 105	28600D	<a href="#">Samples</a>
UCC28600DR	ACTIVE	SOIC	D	8	2500	Green (RoHS & no Sb/Br)	CU NIPDAU	Level-1-260C-UNLIM	-40 to 105	28600D	<a href="#">Samples</a>
UCC28600DRG4	ACTIVE	SOIC	D	8	2500	Green (RoHS & no Sb/Br)	CU NIPDAU	Level-1-260C-UNLIM	-40 to 105	28600D	<a href="#">Samples</a>

(1) The marketing status values are defined as follows:

**ACTIVE:** Product device recommended for new designs.

**LIFEBUY:** TI has announced that the device will be discontinued, and a lifetime-buy period is in effect.

**NRND:** Not recommended for new designs. Device is in production to support existing customers, but TI does not recommend using this part in a new design.

**PREVIEW:** Device has been announced but is not in production. Samples may or may not be available.

**OBSELETE:** TI has discontinued the production of the device.

(2) Eco Plan - The planned eco-friendly classification: Pb-Free (RoHS), Pb-Free (RoHS Exempt), or Green (RoHS & no Sb/Br) - please check <http://www.ti.com/productcontent> for the latest availability information and additional product content details.

**TBD:** The Pb-Free/Green conversion plan has not been defined.

**Pb-Free (RoHS):** TI's terms "Lead-Free" or "Pb-Free" mean semiconductor products that are compatible with the current RoHS requirements for all 6 substances, including the requirement that lead not exceed 0.1% by weight in homogeneous materials. Where designed to be soldered at high temperatures, TI Pb-Free products are suitable for use in specified lead-free processes.

**Pb-Free (RoHS Exempt):** This component has a RoHS exemption for either 1) lead-based flip-chip solder bumps used between the die and package, or 2) lead-based die adhesive used between the die and leadframe. The component is otherwise considered Pb-Free (RoHS compatible) as defined above.

**Green (RoHS & no Sb/Br):** TI defines "Green" to mean Pb-Free (RoHS compatible), and free of Bromine (Br) and Antimony (Sb) based flame retardants (Br or Sb do not exceed 0.1% by weight in homogeneous material)

(3) MSL, Peak Temp. -- The Moisture Sensitivity Level rating according to the JEDEC industry standard classifications, and peak solder temperature.

(4) Multiple Top-Side Markings will be inside parentheses. Only one Top-Side Marking contained in parentheses and separated by a "~" will appear on a device. If a line is indented then it is a continuation of the previous line and the two combined represent the entire Top-Side Marking for that device.

**Important Information and Disclaimer:** The information provided on this page represents TI's knowledge and belief as of the date that it is provided. TI bases its knowledge and belief on information provided by third parties, and makes no representation or warranty as to the accuracy of such information. Efforts are underway to better integrate information from third parties. TI has taken and continues to take reasonable steps to provide representative and accurate information but may not have conducted destructive testing or chemical analysis on incoming materials and chemicals. TI and TI suppliers consider certain information to be proprietary, and thus CAS numbers and other limited information may not be available for release.

In no event shall TI's liability arising out of such information exceed the total purchase price of the TI part(s) at issue in this document sold by TI to Customer on an annual basis.

**OTHER QUALIFIED VERSIONS OF UCC28600 :**

- Automotive: [UCC28600-Q1](#)

## NOTE: Qualified Version Definitions:

- Automotive - Q100 devices qualified for high-reliability automotive applications targeting zero defects

**TAPE AND REEL INFORMATION**

**QUADRANT ASSIGNMENTS FOR PIN 1 ORIENTATION IN TAPE**


\*All dimensions are nominal

Device	Package Type	Package Drawing	Pins	SPQ	Reel Diameter (mm)	Reel Width W1 (mm)	A0 (mm)	B0 (mm)	K0 (mm)	P1 (mm)	W (mm)	Pin1 Quadrant
UCC28600DR	SOIC	D	8	2500	330.0	12.4	6.4	5.2	2.1	8.0	12.0	Q1

TAPE AND REEL BOX DIMENSIONS



\*All dimensions are nominal

Device	Package Type	Package Drawing	Pins	SPQ	Length (mm)	Width (mm)	Height (mm)
UCC28600DR	SOIC	D	8	2500	340.5	338.1	20.6

D (R-PDSO-G8)

PLASTIC SMALL OUTLINE



NOTES: A. All linear dimensions are in inches (millimeters).  
 B. This drawing is subject to change without notice.  
 C. Body length does not include mold flash, protrusions, or gate burrs. Mold flash, protrusions, or gate burrs shall not exceed 0.006 (0,15) each side.  
 D. Body width does not include interlead flash. Interlead flash shall not exceed 0.017 (0,43) each side.  
 E. Reference JEDEC MS-012 variation AA.

D (R-PDSO-G8)

PLASTIC SMALL OUTLINE



- NOTES:
- A. All linear dimensions are in millimeters.
  - B. This drawing is subject to change without notice.
  - C. Publication IPC-7351 is recommended for alternate designs.
  - D. Laser cutting apertures with trapezoidal walls and also rounding corners will offer better paste release. Customers should contact their board assembly site for stencil design recommendations. Refer to IPC-7525 for other stencil recommendations.
  - E. Customers should contact their board fabrication site for solder mask tolerances between and around signal pads.

## IMPORTANT NOTICE

Texas Instruments Incorporated and its subsidiaries (TI) reserve the right to make corrections, enhancements, improvements and other changes to its semiconductor products and services per JESD46, latest issue, and to discontinue any product or service per JESD48, latest issue. Buyers should obtain the latest relevant information before placing orders and should verify that such information is current and complete. All semiconductor products (also referred to herein as "components") are sold subject to TI's terms and conditions of sale supplied at the time of order acknowledgment.

TI warrants performance of its components to the specifications applicable at the time of sale, in accordance with the warranty in TI's terms and conditions of sale of semiconductor products. Testing and other quality control techniques are used to the extent TI deems necessary to support this warranty. Except where mandated by applicable law, testing of all parameters of each component is not necessarily performed.

TI assumes no liability for applications assistance or the design of Buyers' products. Buyers are responsible for their products and applications using TI components. To minimize the risks associated with Buyers' products and applications, Buyers should provide adequate design and operating safeguards.

TI does not warrant or represent that any license, either express or implied, is granted under any patent right, copyright, mask work right, or other intellectual property right relating to any combination, machine, or process in which TI components or services are used. Information published by TI regarding third-party products or services does not constitute a license to use such products or services or a warranty or endorsement thereof. Use of such information may require a license from a third party under the patents or other intellectual property of the third party, or a license from TI under the patents or other intellectual property of TI.

Reproduction of significant portions of TI information in TI data books or data sheets is permissible only if reproduction is without alteration and is accompanied by all associated warranties, conditions, limitations, and notices. TI is not responsible or liable for such altered documentation. Information of third parties may be subject to additional restrictions.

Resale of TI components or services with statements different from or beyond the parameters stated by TI for that component or service voids all express and any implied warranties for the associated TI component or service and is an unfair and deceptive business practice. TI is not responsible or liable for any such statements.

Buyer acknowledges and agrees that it is solely responsible for compliance with all legal, regulatory and safety-related requirements concerning its products, and any use of TI components in its applications, notwithstanding any applications-related information or support that may be provided by TI. Buyer represents and agrees that it has all the necessary expertise to create and implement safeguards which anticipate dangerous consequences of failures, monitor failures and their consequences, lessen the likelihood of failures that might cause harm and take appropriate remedial actions. Buyer will fully indemnify TI and its representatives against any damages arising out of the use of any TI components in safety-critical applications.

In some cases, TI components may be promoted specifically to facilitate safety-related applications. With such components, TI's goal is to help enable customers to design and create their own end-product solutions that meet applicable functional safety standards and requirements. Nonetheless, such components are subject to these terms.

No TI components are authorized for use in FDA Class III (or similar life-critical medical equipment) unless authorized officers of the parties have executed a special agreement specifically governing such use.

Only those TI components which TI has specifically designated as military grade or "enhanced plastic" are designed and intended for use in military/aerospace applications or environments. Buyer acknowledges and agrees that any military or aerospace use of TI components which have **not** been so designated is solely at the Buyer's risk, and that Buyer is solely responsible for compliance with all legal and regulatory requirements in connection with such use.

TI has specifically designated certain components as meeting ISO/TS16949 requirements, mainly for automotive use. In any case of use of non-designated products, TI will not be responsible for any failure to meet ISO/TS16949.

### Products

Audio	<a href="http://www.ti.com/audio">www.ti.com/audio</a>
Amplifiers	<a href="http://amplifier.ti.com">amplifier.ti.com</a>
Data Converters	<a href="http://dataconverter.ti.com">dataconverter.ti.com</a>
DLP® Products	<a href="http://www.dlp.com">www.dlp.com</a>
DSP	<a href="http://dsp.ti.com">dsp.ti.com</a>
Clocks and Timers	<a href="http://www.ti.com/clocks">www.ti.com/clocks</a>
Interface	<a href="http://interface.ti.com">interface.ti.com</a>
Logic	<a href="http://logic.ti.com">logic.ti.com</a>
Power Mgmt	<a href="http://power.ti.com">power.ti.com</a>
Microcontrollers	<a href="http://microcontroller.ti.com">microcontroller.ti.com</a>
RFID	<a href="http://www.ti-rfid.com">www.ti-rfid.com</a>
OMAP Applications Processors	<a href="http://www.ti.com/omap">www.ti.com/omap</a>
Wireless Connectivity	<a href="http://www.ti.com/wirelessconnectivity">www.ti.com/wirelessconnectivity</a>

### Applications

Automotive and Transportation	<a href="http://www.ti.com/automotive">www.ti.com/automotive</a>
Communications and Telecom	<a href="http://www.ti.com/communications">www.ti.com/communications</a>
Computers and Peripherals	<a href="http://www.ti.com/computers">www.ti.com/computers</a>
Consumer Electronics	<a href="http://www.ti.com/consumer-apps">www.ti.com/consumer-apps</a>
Energy and Lighting	<a href="http://www.ti.com/energy">www.ti.com/energy</a>
Industrial	<a href="http://www.ti.com/industrial">www.ti.com/industrial</a>
Medical	<a href="http://www.ti.com/medical">www.ti.com/medical</a>
Security	<a href="http://www.ti.com/security">www.ti.com/security</a>
Space, Avionics and Defense	<a href="http://www.ti.com/space-avionics-defense">www.ti.com/space-avionics-defense</a>
Video and Imaging	<a href="http://www.ti.com/video">www.ti.com/video</a>

### TI E2E Community

[e2e.ti.com](http://e2e.ti.com)