

INTERLEAVED DUAL PWM CONTROLLER WITH PROGRAMMABLE MAXIMUM DUTY CYCLE

FEATURES

- Qualified for Automotive Applications
- 2-MHz High-Frequency Oscillator With 1-MHz Operation Per Channel
- Matched Internal Slope Compensation Circuits
- Programmable Maximum Duty Cycle Clamp 60% to 90% Per Channel
- Peak Current Mode Control With Cycle-by-Cycle Current Limit
- Current Sense Discharge Transistor for Improved Noise Immunity
- Accurate Line Undervoltage and Overvoltage Sense With Programmable Hysteresis
- Opto-Coupler Interface
- Operates From 12-V Supply
- Programmable Soft-Start

APPLICATIONS

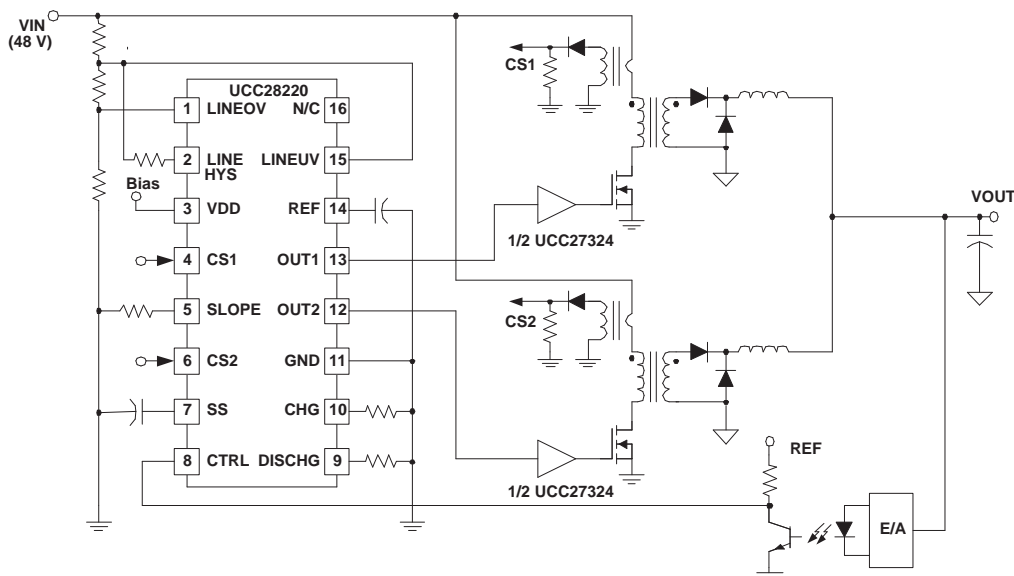
- High Output Current (50 A to 100 A) Converters
- Maximum Power Density Designs
- High-Efficiency 48-V Input with Low-Output Ripple Converters
- High-Power Offline, Telecom, and Datacom Power Supplies

DESCRIPTION

The UCC28220 is a BiCMOS interleaved dual-channel PWM controller. Peak current mode control is used to ensure current sharing between the two channels. A precise maximum duty cycle clamp can be set to any value between 60% and 90% duty cycle per channel. UCC28220 has an UVLO turn-on threshold of 10 V for use in 12-V supplies. It has 8-V turn-off threshold.

Additional features include a programmable internal slope compensation with a special circuit that ensures exactly the same slope is added to each channel. The UCC28220 is available in a 16-pin low-profile TSSOP package.

TYPICAL APPLICATION



Please be aware that an important notice concerning availability, standard warranty, and use in critical applications of Texas Instruments semiconductor products and disclaimers thereto appears at the end of this data sheet.

PowerPAD is a trademark of Texas Instruments.

UNLESS OTHERWISE NOTED this document contains PRODUCTION DATA information current as of publication date. Products conform to specifications per the terms of Texas Instruments standard warranty. Production processing does not necessarily include testing of all parameters.

ORDERING INFORMATION⁽¹⁾

| $T_A = T_J$ | UVLO THRESHOLDS | PACKAGE ⁽²⁾ | | ORDERABLE PART NUMBER | TOP-SIDE MARKING |
|----------------|-------------------|------------------------|--------------|-----------------------|------------------|
| –40°C to 125°C | 10 V On / 8 V Off | TSSOP-16 – PW | Reel of 2000 | UCC28220QPWRQ1 | U28220Q |

- (1) For the most current package and ordering information, see the Package Option Addendum at the end of this document, or see the TI web site at www.ti.com.
- (2) Package drawings, thermal data, and symbolization are available at www.ti.com/packaging.

ABSOLUTE MAXIMUM RATINGS⁽¹⁾⁽²⁾

over operating free-air temperature (unless otherwise noted)

| | | | |
|---------------|---|--------------------------------|-----------------|
| V_{DD} | Supply voltage | | 15 V |
| $I_{OUT(dc)}$ | Output current, dc | OUT1, OUT2 | ±10 mA |
| | OUT1/ OUT2 capacitive load | | 200 pF |
| I_{REF} | REF output current | | 10 mA |
| | Current sense inputs | CS1, CS2 | –1 V to 2 V |
| | Analog inputs | CHG, DISCHG, SLOPE, REF, CNTRL | –0.3 V to 3.6 V |
| | | SS, LINEOV, LINEUV, LINEHYS | –0.3 V to 7 V |
| P_D | Power dissipation at $T_A = 25^\circ\text{C}$ | | 400 mW |
| T_J | Virtual-junction operating temperature range | | –55°C to 150°C |
| T_{stg} | Storage temperature range | | –65°C to 150°C |
| T_{lead} | Lead temperature (soldering, 10 seconds) | | 300°C |

- (1) Stresses beyond those listed under *absolute maximum ratings* may cause permanent damage to the device. These are stress ratings only, and functional operation of the device at these or any other conditions beyond those indicated under *recommended operating conditions* is not implied. Exposure to absolute-maximum-rated conditions for extended periods may affect device reliability.
- (2) All voltages are with respect to GND. Currents are positive into and negative out of the specified terminal.

RECOMMENDED OPERATING CONDITIONS

| | | MIN | MAX | UNIT |
|----------|-------------------------------------|-----|------|------|
| V_{IN} | High-voltage start-up input voltage | 36 | 76 | V |
| V_{DD} | Supply voltage | 8 | 14.5 | V |

ELECTRICAL CHARACTERISTICS

$V_{DD} = 12\text{ V}$, $0.1\text{-}\mu\text{F}$ capacitor from VDD to GND, $0.1\text{-}\mu\text{F}$ capacitor from REF to GND, $f_{osc} = 1\text{ MHz}$, $T_A = -40^\circ\text{C}$ to 125°C , $T_A = T_J$ (unless otherwise noted)

| PARAMETER | TEST CONDITIONS | MIN | TYP | MAX | UNIT |
|-------------------------------|--|------|------|------|-------------------|
| Overall | | | | | |
| Operating VDD | | 8.5 | | 14 | V |
| Quiescent current | SS = 0 V, No switching, $f_{osc} = 1\text{ MHz}$ | 1.5 | 3 | 4 | mA |
| Operating current | Outputs switching, $f_{osc} = 1\text{ MHz}$ | 1.6 | 3.5 | 6 | |
| Startup Section | | | | | |
| Startup current | VDD < (UVLO – 0.8) | | | 200 | μA |
| UVLO start threshold | | 9.5 | 10 | 10.5 | V |
| UVLO stop threshold | | 7.6 | 8 | 8.4 | V |
| UVLO hysteresis | | 1.8 | 2 | 2.2 | V |
| Reference | | | | | |
| Output voltage | $8.5\text{ V} < V_{DD} < 14\text{ V}$, $I_{LOAD} = 0\text{ mA}$ to -10 mA | 3.15 | 3.3 | 3.45 | V |
| Output current | Outputs not switching, CNTRL = 0 V | 10 | | | mA |
| Output short-circuit current | $V_{REF} = 0\text{ V}$ | -40 | -20 | -10 | mA |
| V_{REF} UVLO | | 2.55 | 3 | 3.25 | V |
| Soft Start (SS) | | | | | |
| SS charge current | $R_{CHG} = 10.2\text{ k}\Omega$, SS = 0 V | -60 | -100 | -130 | μA |
| SS discharge current | $R_{CHG} = 10.2\text{ k}\Omega$, SS = 2 V | 60 | 100 | 130 | μA |
| SS initial voltage | LINEOV = 2 V, LINEUV = 0 V | 0.5 | 1 | 1.5 | V |
| SS voltage at 0% dc | Point at which output starts switching | 0.5 | 1.2 | 1.8 | |
| SS voltage ratio | | 75 | 90 | 100 | % |
| SS maximum voltage | LINEOV = 0 V, LINEUV = 2 V | 3 | 3.5 | 4 | V |
| Oscillator and PWM | | | | | |
| Output frequency | $R_{CHG} = 10.2\text{ k}\Omega$, $R_{DISCHG} = 10.2\text{ k}\Omega$ | 400 | 500 | 550 | kHz |
| Oscillator frequency | $R_{CHG} = 10.2\text{ k}\Omega$, $R_{DISCHG} = 10.2\text{ k}\Omega$ | 900 | 1000 | 1100 | kHz |
| Output maximum duty cycle | $R_{CHG} = 10.2\text{ k}\Omega$, $R_{DISCHG} = 10.2\text{ k}\Omega$, Measured at OUT1 and OUT2 | 73 | 75 | 77 | % |
| CHG voltage | | 1.5 | 2.5 | 3 | V |
| DISCHG voltage | | 1.5 | 2.5 | 3 | |
| Slope Compensation | | | | | |
| Slope | $R_{SLOPE} = 75\text{ k}\Omega$, $R_{CHG} = 66\text{ k}\Omega$, $R_{DISCHG} = 44\text{ k}\Omega$, CSx = 0 V to 0.5 V | 140 | 200 | 260 | mV/ μs |
| Channel matching | $R_{SLOPE} = 75\text{ k}\Omega$, CSx = 0 V | | 0 | 10 | % |
| Current Sense | | | | | |
| CS1, CS2 bias current | CS1 = 0, CS2 = 0 | -500 | 0 | 500 | nA |
| Prop delay CSx to OUTx | CSx input 0 V to 1.5 V step | | 40 | 85 | ns |
| CS1, CS2 sink current | CSx = 2 V | 2.3 | 4.5 | 7 | mA |
| CNTRL Section | | | | | |
| Resistor ratio ⁽¹⁾ | | | 0.6 | | |
| CTRL input current | CTRL = 0 V and 3.3 V | -100 | 0 | 100 | nA |
| CTRL voltage at 0% dc | CSx = 0 V, Point at which output starts switching (checks resistor ratio) | 0.5 | 1.2 | 1.8 | V |

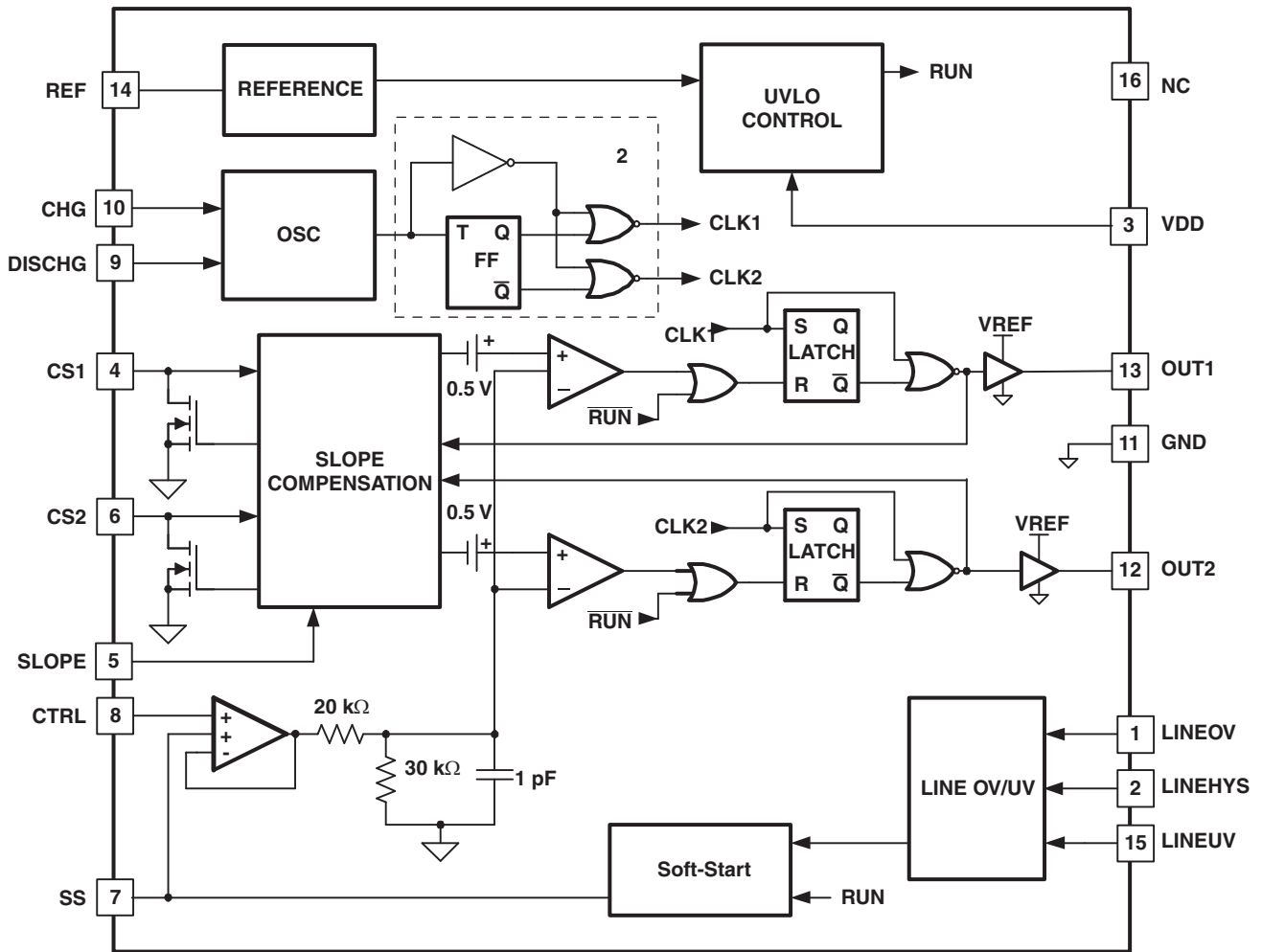
(1) Specified by design

ELECTRICAL CHARACTERISTICS (continued)

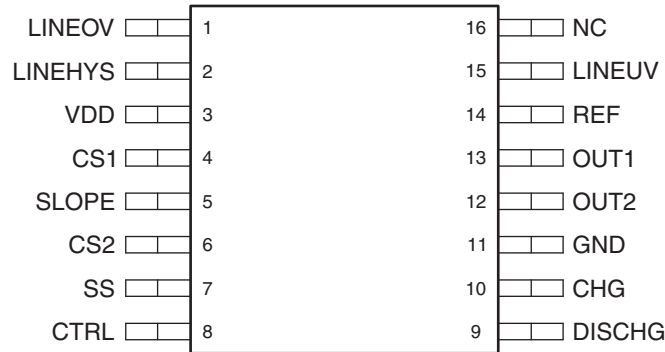
$V_{DD} = 12\text{ V}$, $0.1\text{-}\mu\text{F}$ capacitor from V_{DD} to GND , $0.1\text{-}\mu\text{F}$ capacitor from REF to GND , $f_{OSC} = 1\text{ MHz}$, $T_A = -40^\circ\text{C}$ to 125°C , $T_A = T_J$ (unless otherwise noted)

| PARAMETER | TEST CONDITIONS | MIN | TYP | MAX | UNIT |
|------------------------------------|--|------|------|------|----------|
| Output Section (OUT1, OUT2) | | | | | |
| Low level | $I_{OUT} = 10\text{ mA}$ | | 0.4 | 1 | V |
| High level | $I_{OUT} = -10\text{ mA}$, $V_{REF} - V_{OUT}$ | | 0.4 | 1 | V |
| Rise time | $C_{LOAD} = 50\text{ pF}$ | | 10 | 20 | ns |
| Fall time | $C_{LOAD} = 50\text{ pF}$ | | 10 | 20 | ns |
| Line-Sense Section | | | | | |
| LINEOV threshold | $T_A = 25^\circ\text{C}$ | 1.24 | 1.26 | 1.28 | V |
| | $T_A = -40^\circ\text{C}$ to 125°C | 1.23 | 1.26 | 1.29 | |
| LINEUV threshold | $T_A = 25^\circ\text{C}$ | 1.24 | 1.26 | 1.28 | V |
| | $T_A = -40^\circ\text{C}$ to 125°C | 1.23 | 1.26 | 1.29 | |
| LINEHYST pull up voltage | LINEOV = 2 V, LINEUV = 2 V | 3.1 | 3.25 | 3.4 | V |
| LINEHYST off leakage | LINEOV = 0 V, LINEUV = 2 V | -500 | 0 | 500 | nA |
| LINEHYS pullup resistance | $I = -20\text{ }\mu\text{A}$ | | 100 | 500 | Ω |
| LINEHYS pulldown resistance | $I = 20\text{ }\mu\text{A}$ | | 100 | 500 | Ω |
| LINEOV bias current | LINEOV = 1.25 V | -900 | | 900 | nA |
| LINEUV bias current | LINEUV = 1.25 V | -500 | | 500 | nA |

FUNCTIONAL BLOCK DIAGRAM



**PW PACKAGE
(TOP VIEW)**



NC – No internal connection

TERMINAL FUNCTIONS

| TERMINAL | | I/O | FUNCTION |
|----------|---------|-----|--|
| NO. | NAME | | |
| 1 | LINEOV | I | Input for line overvoltage comparator |
| 2 | LINEHYS | I | Sets line comparator hysteresis |
| 3 | VDD | I | Device supply input |
| 4 | CS1 | I | Channel 1 current sense input |
| 5 | SLOPE | I | Sets slope compensation |
| 6 | CS2 | I | Channel 2 current sense input |
| 7 | SS | I | Soft-start input |
| 8 | CTRL | I | Feedback control input |
| 9 | DISCHG | I | Sets oscillator discharge current |
| 10 | CHG | I | Sets oscillator charge current |
| 11 | GND | | Device ground |
| 12 | OUT2 | O | PWM output from channel 2 |
| 13 | OUT1 | O | PWM output from channel 1 |
| 14 | REF | O | Reference voltage output |
| 15 | LINEUV | I | Input for line undervoltage comparator |
| 16 | NC | | No connection |

TERMINAL DESCRIPTIONS

VDD: VDD supplies power to the device and is monitored by the UVLO circuit, which ensures glitch-free startup. Until VDD reaches its UVLO threshold, the device remains in low-power mode, drawing approximately 150 μ A of current and forcing pins SS, CS1, CS2, OUT1, and OUT2 to logic 0 states. If VDD falls below 8 V after reaching the turn-on threshold, the device returns to the low-power state. The UVLO turn-on threshold is 10 V, and the turn-off threshold is 8 V.

CS1 and CS2: These two pins are the current-sense inputs to the device. The signals are internally level shifted by 0.5 V before the signal reaches the PWM comparator. Internally, the slope compensation ramp is added to this signal. The linear operating range on this input is 0 to 1.5 V. Also, this pin is pulled to ground each time its respective output goes low (i.e., OUT1 or OUT2).

SLOPE: This pin sets up a current used for the slope compensation ramp. A resistor to ground sets up a current, which is internally divided by 25 and applied to an internal 10-pF capacitor. Under normal operation, the dc voltage on this pin is 2.5 V.

SS: A capacitor to ground sets up the soft-start time for the open-loop soft-start function. The source and sink current from this pin is equal to 3/7 of the oscillator charge current set by the resistor on the CHG pin. The soft-start capacitor is held low during UVLO and during a line overvoltage or undervoltage condition. Once an overvoltage or undervoltage fault occurs, the soft-start capacitor is discharged by a current equal to its charging current. The capacitor does not quickly discharge during faults. In this way, the controller has the ability to recover quickly from very short line transients. This pin can also be used as an enable/disable function.

CHG: A resistor from this pin to GND sets up the charging current of the internal C_T capacitor used in the oscillator. This resistor, in conjunction with the resistor on the DISCHG pin, sets the operating frequency and maximum duty cycle. Under normal operation, the dc voltage on this pin is 2.5 V.

DISCHG: A resistor from this pin to GND sets the discharge current of the internal C_T capacitor used in the oscillator. This resistor, in conjunction with the resistor on the CHG pin, sets the operating frequency and maximum duty cycle. Under normal operation, the dc voltage on this pin is 2.5 V.

OUT1 and OUT2: These output buffers are intended to interface with high-current MOSFET drivers. The output drive capability is approximately 33 mA and has an output impedance of 100 Ω . The outputs swing between GND and REF.

LINEOV: This pin is connected to a comparator and used to monitor the line voltage for an overvoltage condition. The typical threshold is 1.26 V.

LINEUV: This pin is connected to a comparator and used to monitor the line voltage for an undervoltage condition. The typical threshold is 1.26 V.

LINEHYST: This pin is controlled by both the LINEOV and LINEUV pins. It controls the hysteresis values for both the overvoltage and undervoltage line detectors.

REF: REF is a 3.3-V output used primarily as a source for the output buffers and other internal circuits. It is protected from accidental shorts to ground. For improved noise immunity, it is recommended that the reference pin be bypassed with a minimum of 0.1- μ F of capacitance to GND.

APPLICATION INFORMATION

General

The device is composed of several housekeeping blocks, as well as two slope-compensated PWM channels that are interleaved. The circuit is intended to run from an external VDD supply voltage between 8 V and 14 V. Other functions contained in the device are supply UVLO, 3.3-V reference, accurate line overvoltage and undervoltage functions, a high speed programmable oscillator for both frequency and duty cycle, programmable slope compensation, and programmable soft-start functions.

The UCC28220 is a primary-side controller for a two-channel interleaved power converter. The device is compatible with forward or flyback converters, as long as a duty cycle clamp between 60% and 90% is required. Therefore, the active clamp forward and flyback converters, as well as the RCD and resonant reset forward converters, are compatible with this device. To ensure the two channels share the total converter output current, current-mode control with internal slope compensation is used. Slope compensation is user programmable via a dedicated pin and can be set over a 50:1 range, ensuring good small-signal stability over a wide range of applications.

Line Overvoltage and Undervoltage

Three pins are provided to turn off the output drivers and reset the soft-start capacitor when the converter input voltage is outside a prescribed range. The undervoltage set point and undervoltage hysteresis are accurately set via external resistors. The overvoltage set point is also accurately set via a resistor ratio, but the hysteresis is fixed by the same resistor that sets the undervoltage hysteresis.

Figure 1 and Figure 2 show a detailed functional diagram and operation of the undervoltage lockout (UVLO) and overvoltage lockout (OVLO) features. The equations for setting the thresholds defined in Figure 2 are:

$$V1 = 1.26 \times \frac{R1}{(R2 + R3)} + 1.26 \quad (1)$$

$$V2 = 1.26 \times \frac{(R1 + Rx)}{Rx}, \text{ where } Rx = R4 \parallel (R2 + R3) \quad (2)$$

$$V4 = 1.26 \times \frac{(R1 + R2 + R3)}{R3} \quad (3)$$

$$V3 = V4 - 1.26 \times \left(\frac{R1}{R4} \right) \quad (4)$$

The UVLO hysteresis and the OVLO hysteresis can then be calculated as $V2 - V1$ and $V4 - V3$, respectively. By examining the design equations it becomes apparent that the value of R4 sets the amount of hysteresis at both thresholds. By realizing this fact, the designer can then set the value of R4 based on the most critical hysteresis specification either at high line or at low line. In most designs, the value of R4 is determined by the desired amount of hysteresis around the UVLO threshold. As an example, consider a telecom power supply with the following input UVLO and OVLO design specifications:

- $V1 = 32.0 \text{ V}$
- $V2 = 34.0 \text{ V}$
- $V3 = 83.0 \text{ V}$
- $V4 = 84.7 \text{ V}$

then

- $R1 = 976 \text{ k}\Omega$
- $R2 = 24.9 \text{ k}\Omega$
- $R3 = 15.0 \text{ k}\Omega$

and

- $R4 = 604 \text{ k}\Omega$

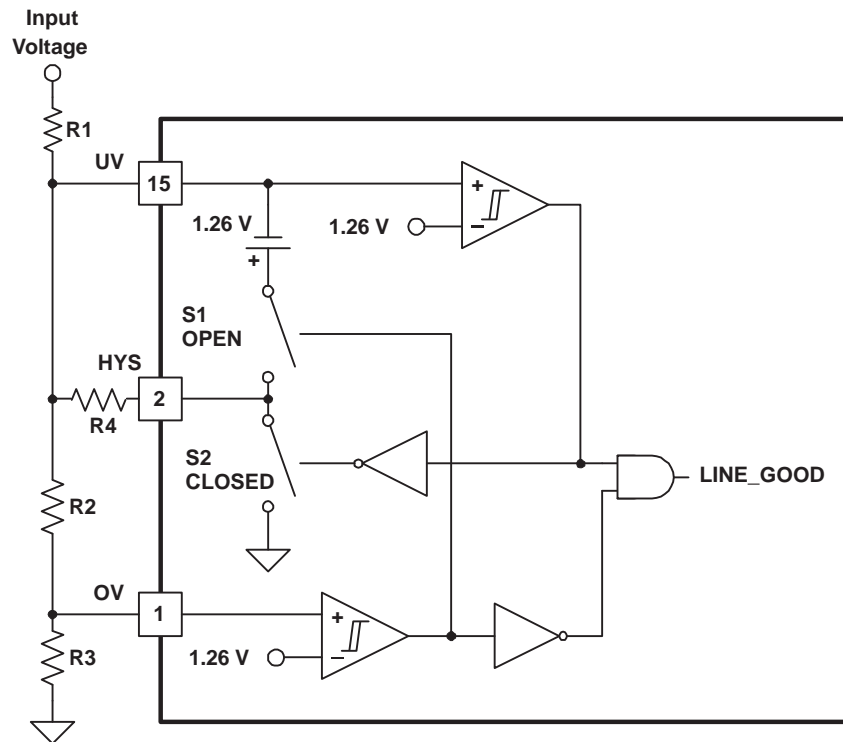


Figure 1. Line UVLO and OVLO Functional Diagram



Figure 2. Line UVLO and OVLO Operation

VDD

Because the driver output impedance is high, the energy storage requirements on the VDD capacitor is low. For improved noise immunity, it is recommended that the VDD pin be bypassed with a minimum of 0.1 μF of capacitance to GND. In most typical applications, the bias voltage for the MOSFET drivers is also used as the VDD supply voltage for the chip. In the aforementioned applications, it is beneficial to add a low-value resistor between the bulk-storage capacitor of the driver and the VDD capacitor for the UCC28220. By adding a resistor in series with the bias supply, any noise that is present on the bias supply is filtered out before getting to the VDD pin of the controller.

Reference

For improved noise immunity, it is recommended that the reference pin (REF) be bypassed with a minimum of 0.1 μF of capacitance to GND.

Oscillator Operation and Maximum Duty Cycle Setpoint

The oscillator uses an internal capacitor to generate the time base for both PWM channels. The oscillator is programmable over a 200-kHz to 2-MHz frequency range with 20% to 80% maximum duty cycle range. Both the dead time and the frequency of the oscillator are divided by two to generate the PWM clock and off-time information for each of the outputs. In this way, a 20% oscillator duty cycle corresponds to a 60% maximum duty cycle at each output, where an 80% oscillator duty cycle yields a 90% duty cycle clamp at each output.

The design equations for the oscillator and maximum duty cycle set point are given by:

$$F_{\text{OSC}} = 2 \times F_{\text{OUT}} \quad (5)$$

$$D_{\text{MAX(osc)}} = 1 - 2 \times (1 - D_{\text{MAX(out)}}) \quad (6)$$

$$R_{\text{CHG}} = K_{\text{OSC}} \times \frac{D_{\text{MAX(osc)}}}{F_{\text{OSC}}} \quad (7)$$

$$R_{\text{DISCHG}} = K_{\text{OSC}} \times \frac{(1 - D_{\text{MAX(osc)}})}{F_{\text{OSC}}} \quad (8)$$

Where

$$K_{\text{OSC}} = 2.04 \times 10^{10} \text{ } [\Omega/\text{s}]$$

F_{OUT} = Switching frequency at the outputs of the chip (Hz)

$D_{\text{MAX(out)}}$ = Maximum duty cycle limit at the outputs of the chip

$D_{\text{MAX(osc)}}$ = Maximum duty cycle of the Oscillator for the desired maximum duty cycle at the outputs

F_{OSC} = Oscillator frequency for desired output frequency (Hz)

R_{CHG} = External oscillator resistor which sets the charge current (Ω)

R_{DISCHG} = External oscillator resistor which sets the discharge current (Ω)

Soft Start

A current is forced out of the SS pin, equal to 3/7 of the current set by R_{CHG} , to provide a controlled ramp voltage. The current set by the R_{CHG} resistor is equal to 2.5 V divided by R_{CHG} . This ramp voltage overrides the duty cycle on the CTRL pin, allowing a controlled startup. Assuming the UCC28220 is biased on the primary side, the soft start should be quite quick to allow the secondary bias to be generated, and the secondary side control can then take over. Once the soft-start time interval is complete, a closed-loop soft-start on the secondary side can be executed.

$$I_{\text{SS}} = \frac{3}{7} \times \frac{2.5}{R_{\text{CHG}}} \quad (9)$$

Where

I_{SS} = current which is sourced out of the SS pin during the soft-start time (A)

Current Sense

The current sense signals CS1 and CS2 are level shifted by 0.5 V and have the slope compensation ramps added to them before being compared to the control voltage at the input of the PMW comparators. The amplitude of the current sense signal at full load should be selected such that it is very close to the maximum control voltage, in order to limit the peak output current during short-circuit operation.

Output Drivers

The UCC28220 is intended to interface with the UCC27323/4/5 family of MOSFET drivers. As such, the output drive capability is low (effectively 100 Ω), and the driver outputs swing between GND and REF.

Slope Compensation

The slope compensation circuit in the UCC28220 operates on a cycle-by-cycle basis. The two channels have separate slope compensation circuits. These are fabricated in precisely the same way so as current sharing is unaffected by the slope compensation circuit. For each channel, an internal capacitor is reset whenever that channel's output is off. At the beginning of the PWM cycle, a current is mirrored off the SLOPE pin into the capacitor, developing an independent ramp. Since the two channel's ramps start when the channel's output changes from a low to high state, the ramps are thus interleaved. These internal ramps are added to the voltages on the current sense pins (CS1 and CS2) and the result forms an input to the PWM comparators.

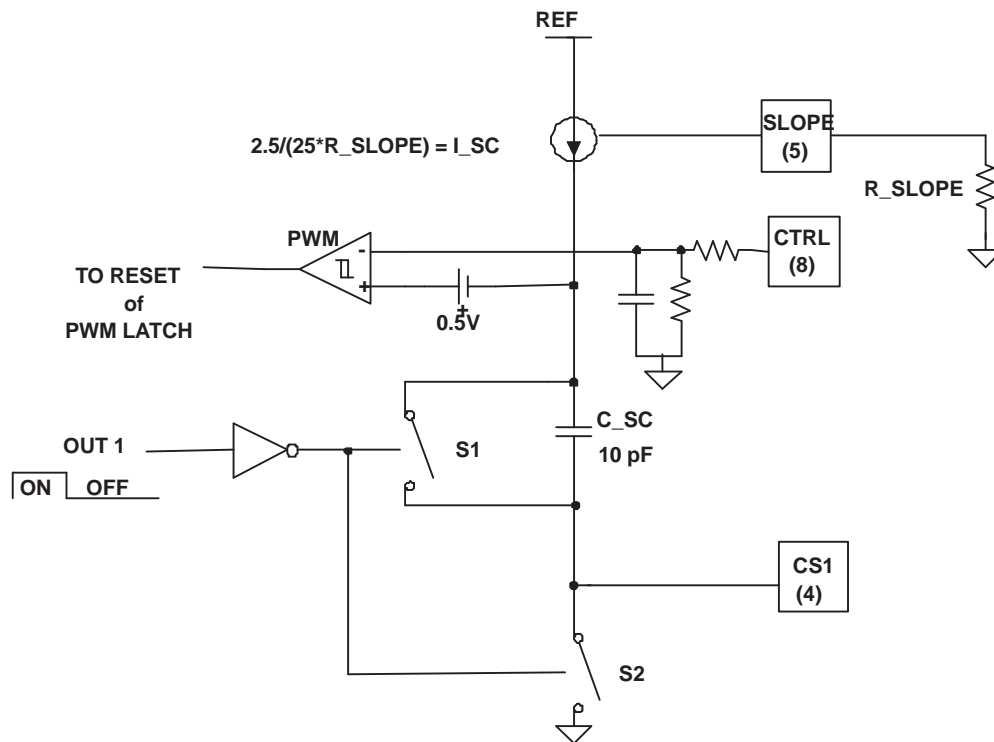


Figure 3. Slope Compensation Detail for Channel 1 (Duplicate Matched Circuitry for Channel 2)

To ensure stability, the slope compensation circuit must add between 1/5 and 1 times the inductor downslope to each of the current sense signals prior to being applied to the PWM comparator's input.

Determining the value for the slope compensation resistor:

Design Example

$$\begin{array}{llll}
 N_{CT(p)} = 1 & V_{OUT} = 12 & N_p = 7 & R_{SENSE} = 5.23 \quad F_{S(out)} = 500000 \\
 N_{CT(s)} = 50 & L_{OUT} = 3.2 \times 10^{-6} & N_s = 5 & V_{EA(cl)} = 1.98
 \end{array}$$

Where

$N_{CT(p)}$ = Number of primary turns on the Current Transformer (Turns)

$N_{CT(s)}$ = Number of Secondary turns on the current transformer (Turns)

V_{OUT} = Nominal output voltage of the converter (V)

L_{OUT} = Inductance value of each output inductor (H)

N_p = Number of primary turns on the main transformer (Turns)

N_s = Number of secondary turns on the main transformer (Turns)

R_{SENSE} = Value of current sense resistor on secondary of current sense transformer (Ω)

$V_{EA(cl)}$ = Maximum value of the E/A output voltage (V)

$F_{S(out)}$ = Switching frequency of each output (Hz)

Determine the correct value for the slope resistor, R_{SLOPE} , to provide the desired amount of slope compensation.

$$N_{CT} = \frac{N_{CT(p)}}{N_{CT(s)}}, \text{ Current Transformer Turns Ratio} \tag{10}$$

1. Transform the secondary inductor downslope to the primary

$$S_{L(\text{prime})} = \frac{V_{OUT}}{L_{OUT}} \times \frac{N_s}{N_p}, \quad S_{L(\text{prime})} = 2.679 \text{ A}/\mu\text{s} \tag{11}$$

2. Calculate the transformed slope voltage at sense resistor

$$V_{S_{L(\text{prime})}} = S_{L(\text{prime})} \times N_{CT} \times R_{SENSE}, \quad V_{S_{L(\text{prime})}} = 2.281 \text{ V}/\mu\text{s} \tag{12}$$

3. Calculate the R_{SLOPE} value to give a compensating ramp equal to the transformed slope voltage given in Equation 12

$$M = 1.0 \tag{13}$$

The desired ratio between the compensating ramp and the output inductor downslope ramp, transformed to the primary sense resistor, is shown in Equation 14.

$$R_{SLOPE} = \frac{10^4}{(M \times V_{S_{L(\text{prime})}} \times 10^{-6})}, \quad R_{SLOPE} = 35.556 \text{ k}\Omega \tag{14}$$

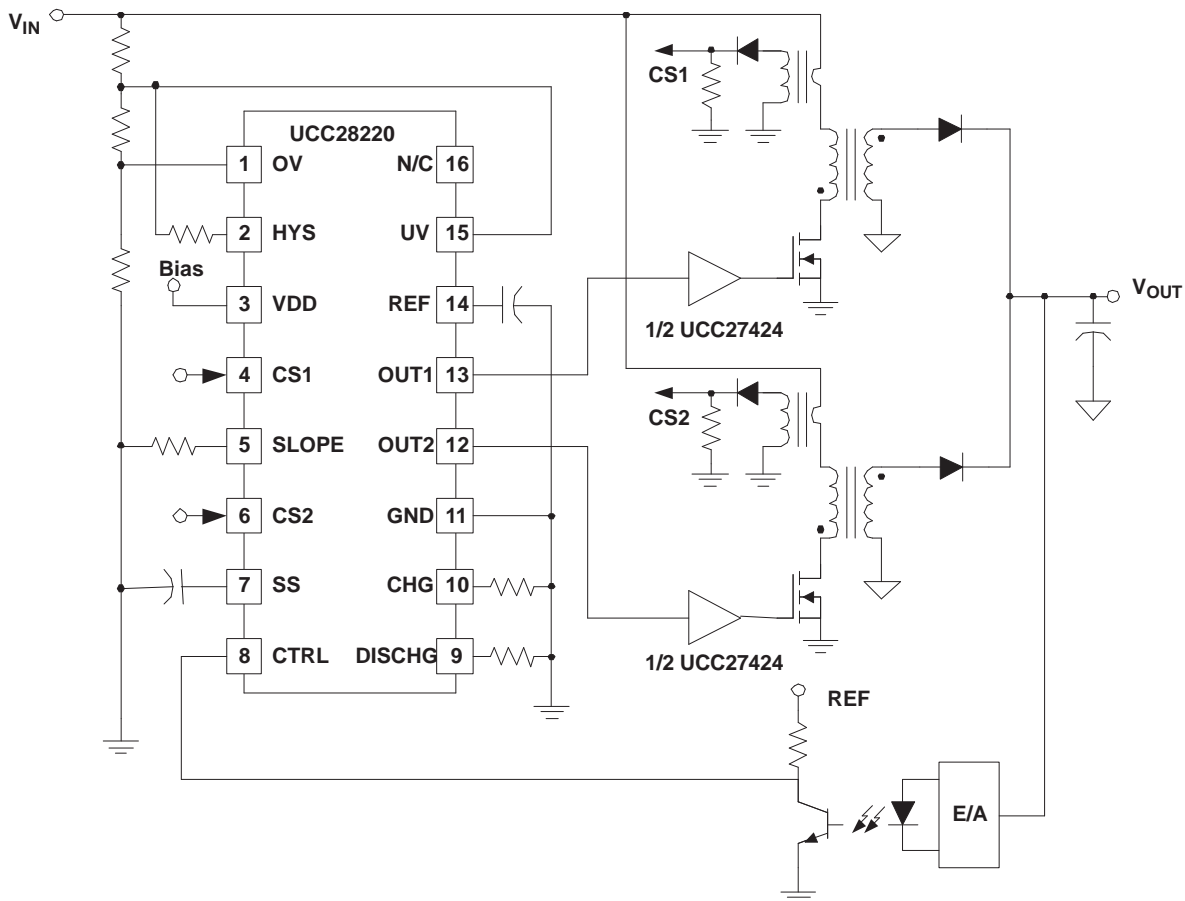


Figure 4. Interleaved Flyback Application Circuit

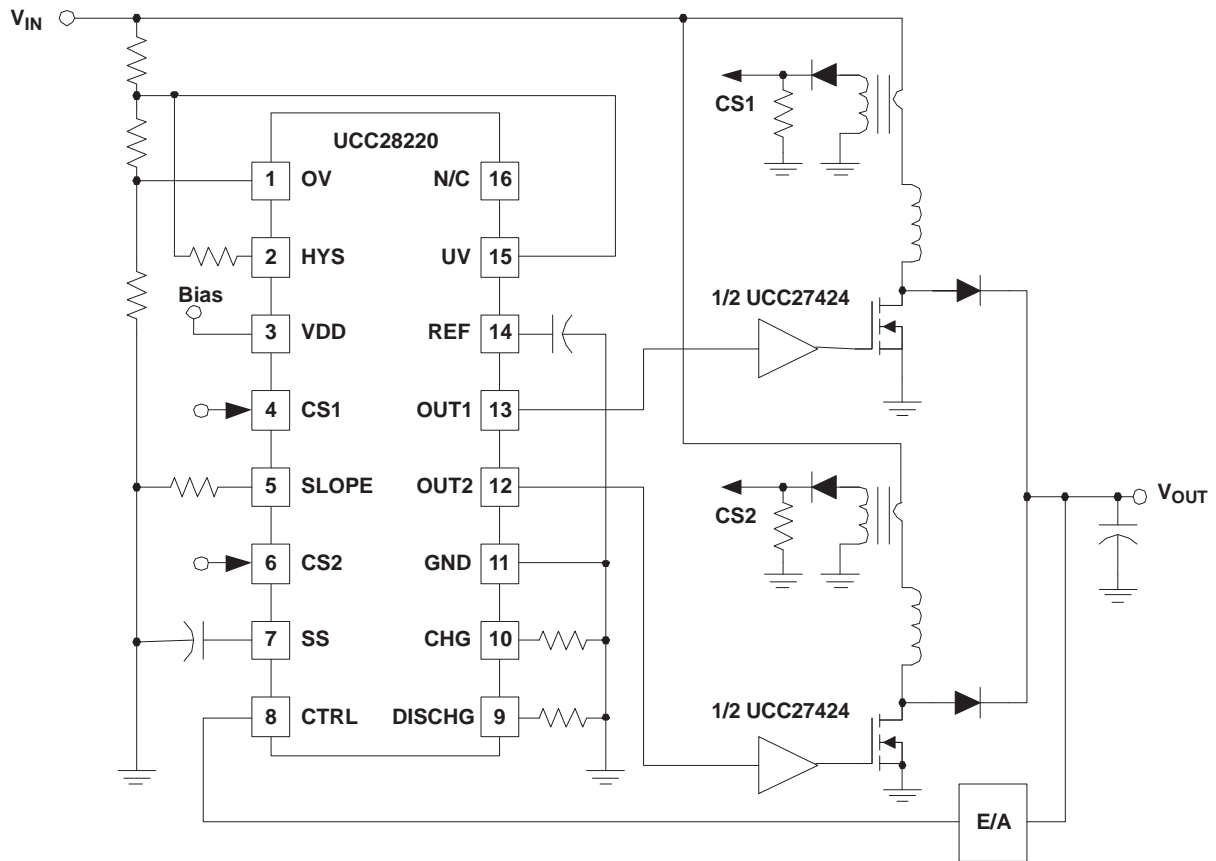


Figure 5. Interleaved Boost Application Circuit

TYPICAL CHARACTERISTICS

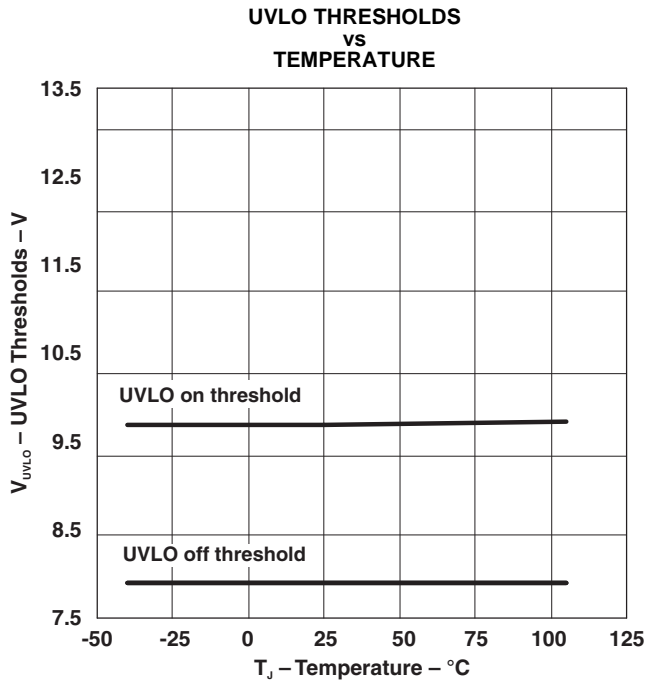


Figure 6.

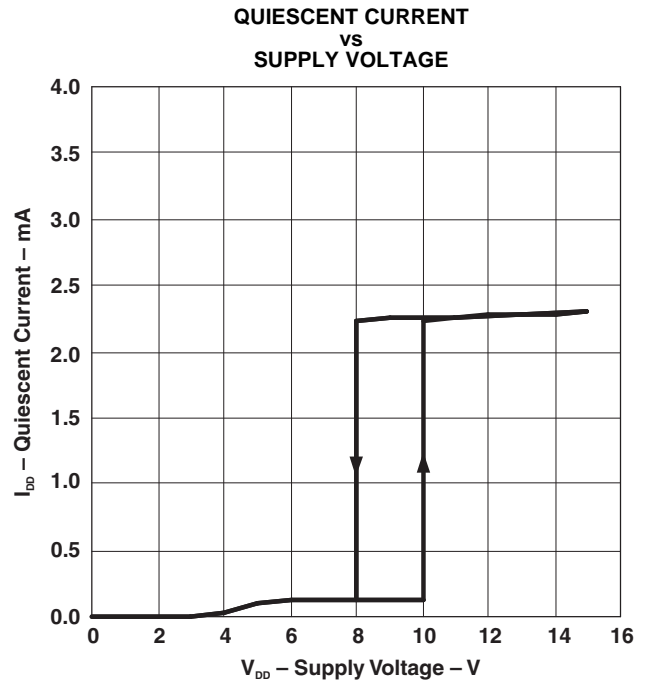


Figure 7.

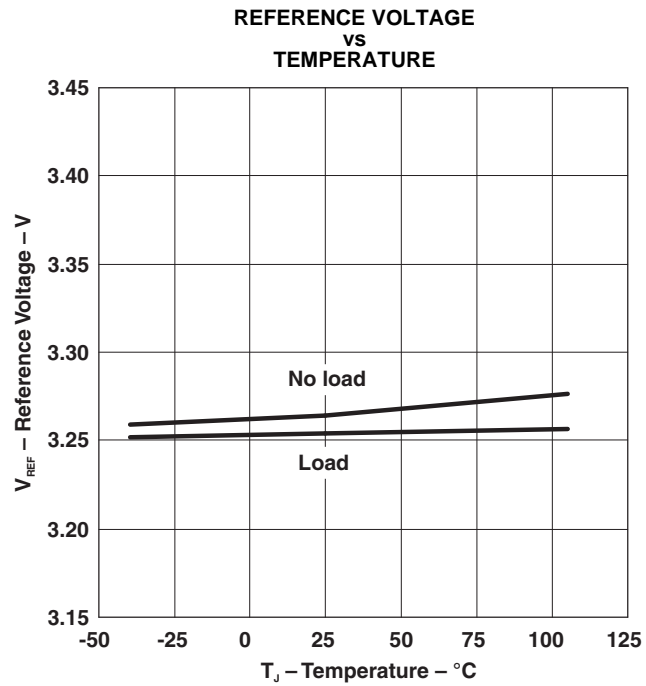


Figure 8.

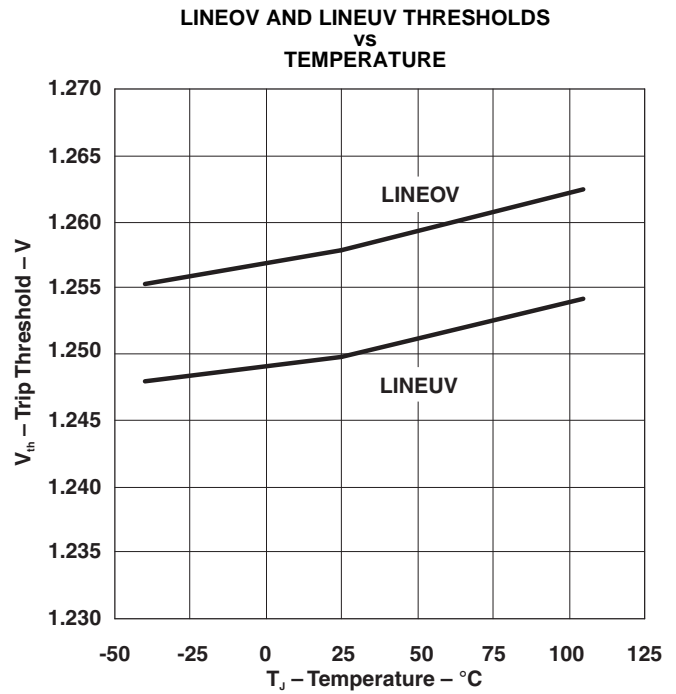
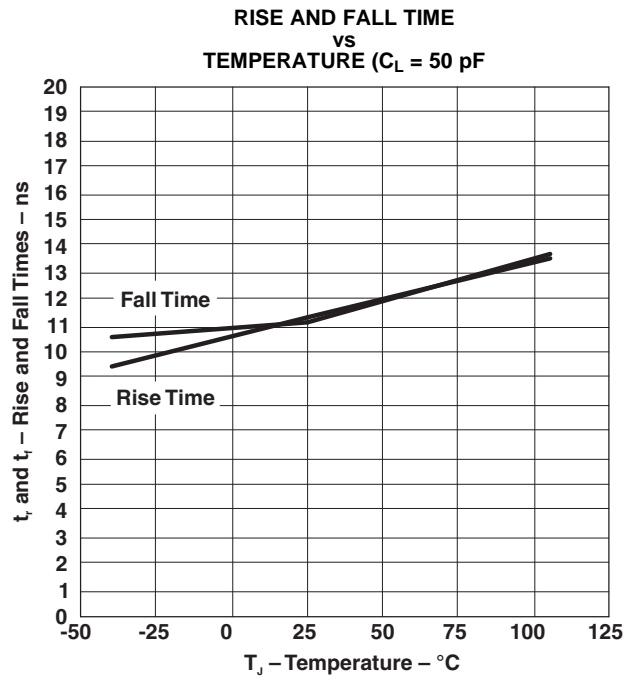
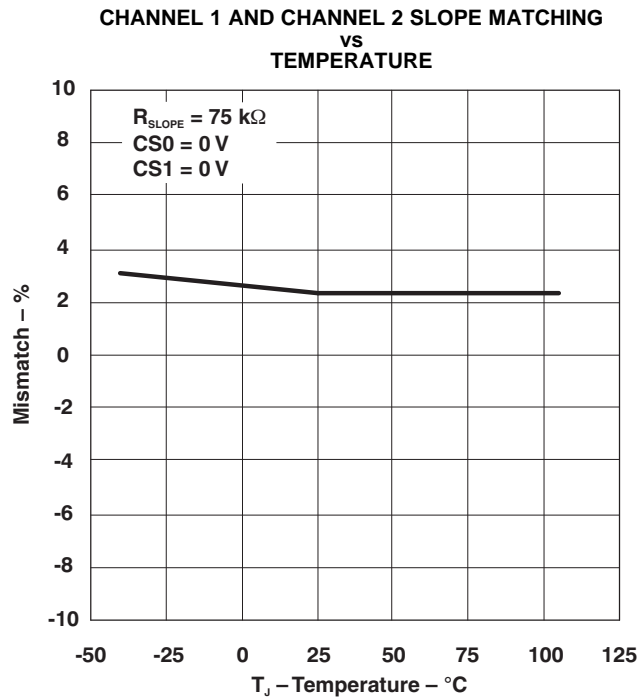
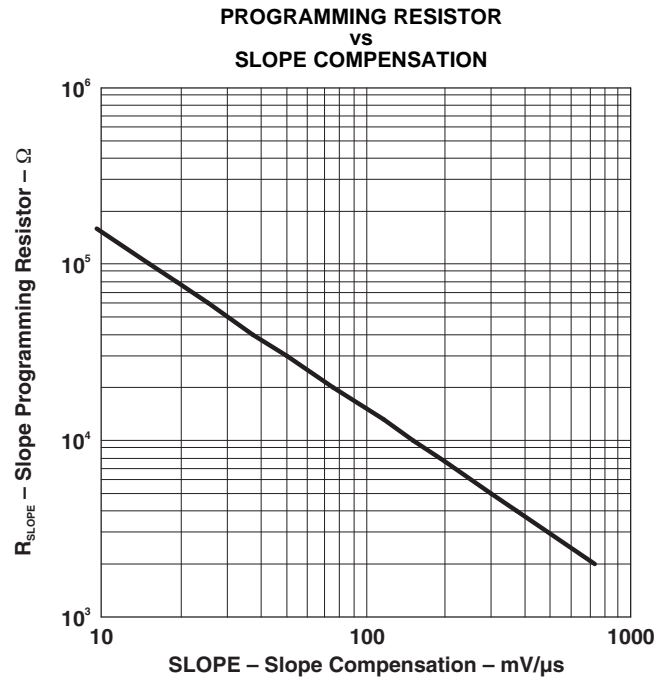
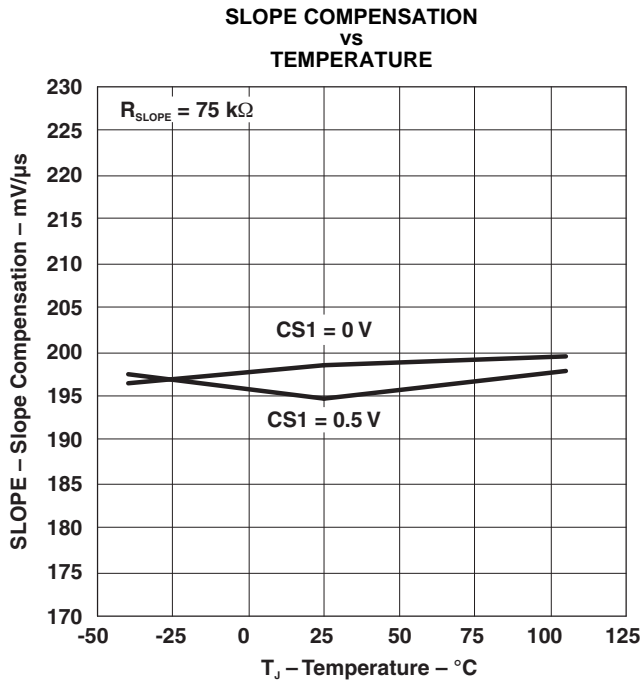


Figure 9.

TYPICAL CHARACTERISTICS (continued)



TYPICAL CHARACTERISTICS (continued)

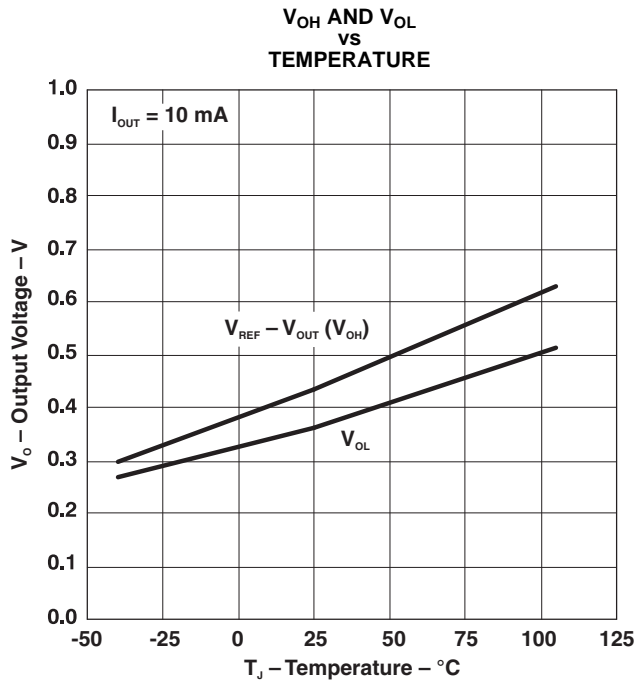


Figure 14.

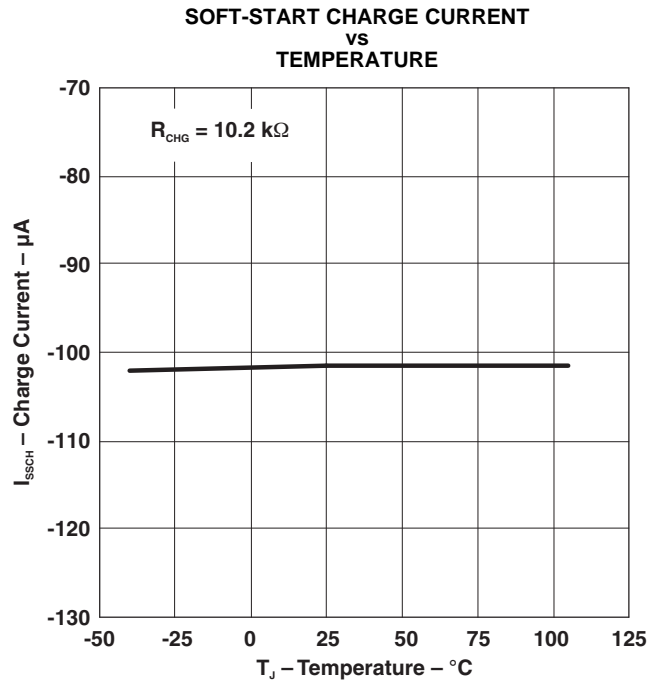


Figure 15.

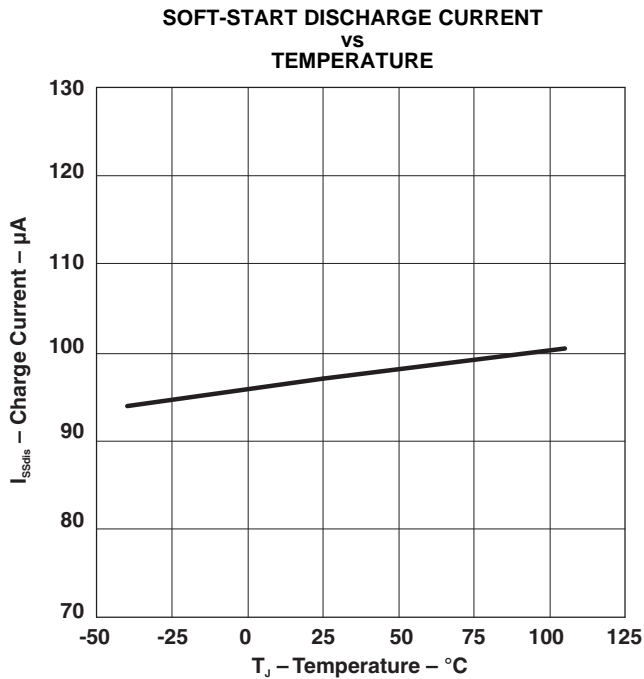


Figure 16.

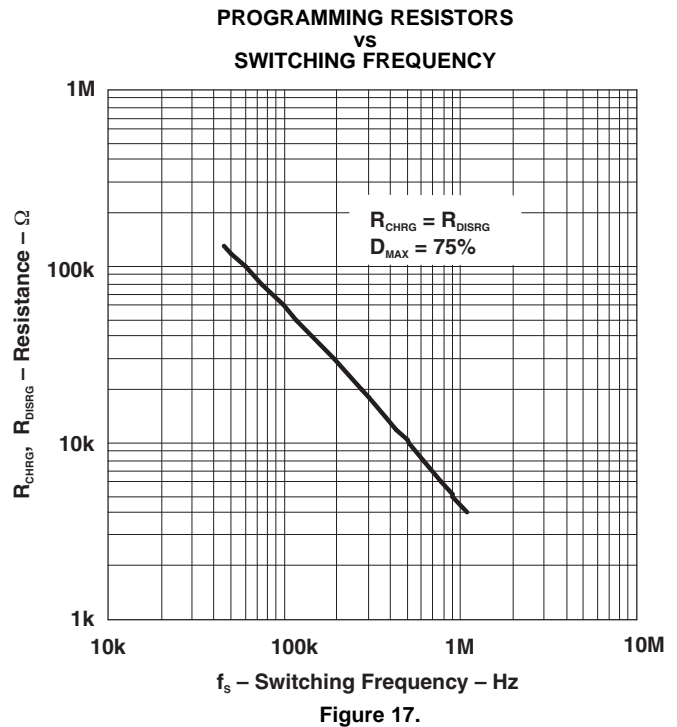


Figure 17.

TYPICAL CHARACTERISTICS (continued)

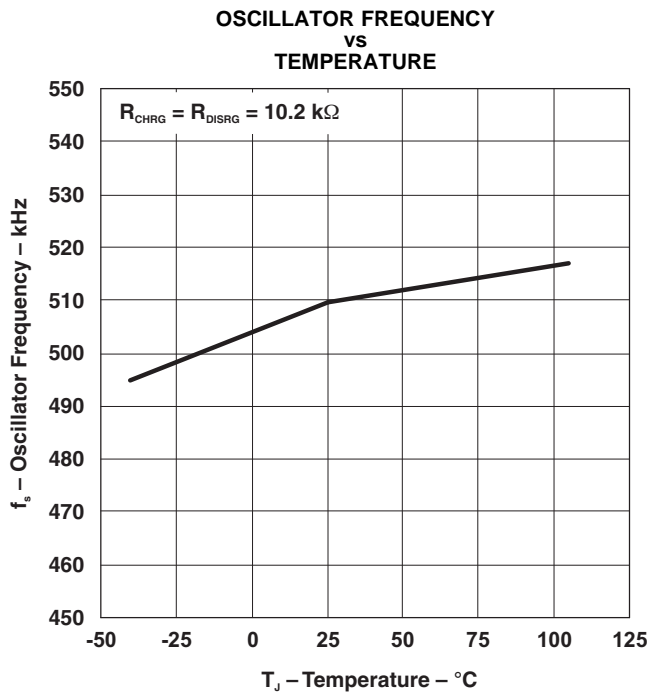


Figure 18.

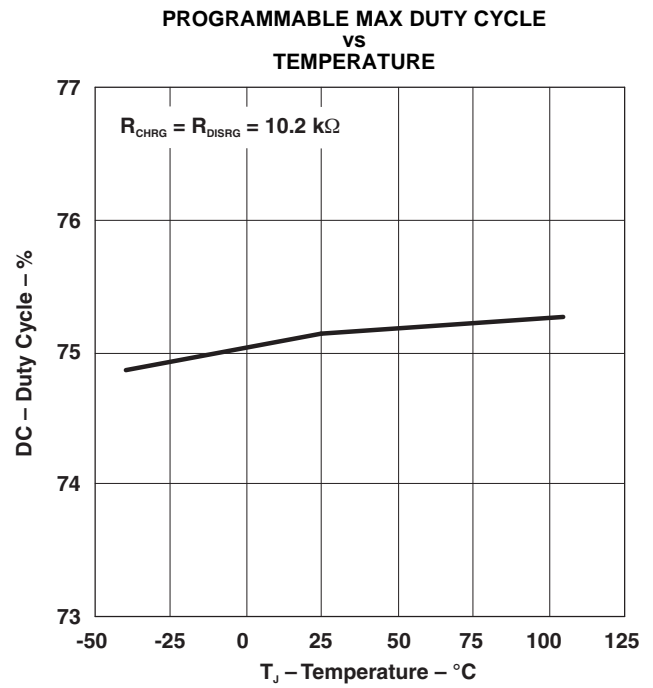


Figure 19.

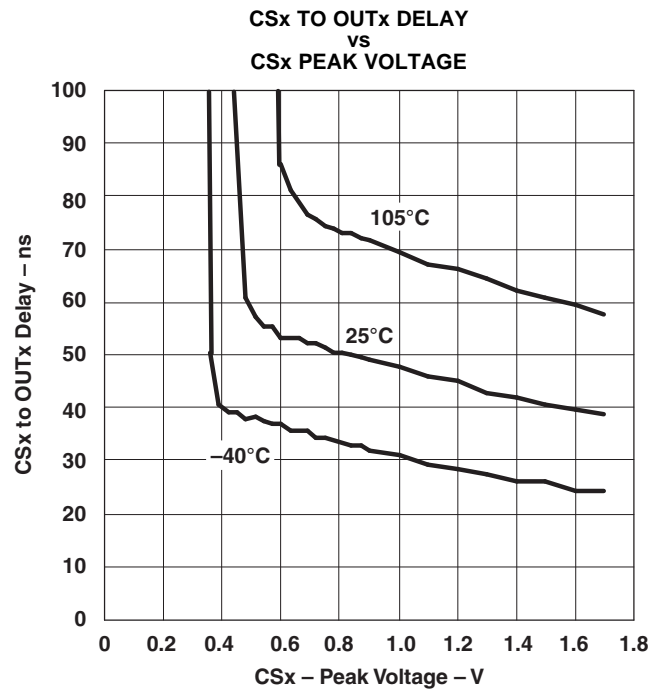


Figure 20.

Related Products

| DEVICE | DESCRIPTION | PACKAGE OPTIONS |
|---------------|---|----------------------------------|
| UCC27323/4/5 | Dual 4-A High-Speed Low-Side MOSFET Drivers | SOIC-8, PowerPAD™ MSOP-8, PDIP-8 |
| UCC27423/4/5 | Dual 4-A High-Speed Low-Side MOSFET Drivers with Enable | SOIC-8, PowerPAD MSOP-8, PDIP-8 |
| TPS2811/12/13 | Dual 2.4-A High-Speed Low-Side MOSFET Drivers | SOIC-8, TSSOP-8, PDIP-8 |
| UC3714/15 | Dual 2.4-A High-Speed Low-Side MOSFET Drivers | SOIC-8, PowerSOIC-14, PDIP-8 |

PACKAGING INFORMATION

| Orderable Device | Status (1) | Package Type | Package Drawing | Pins | Package Qty | Eco Plan (2) | Lead/Ball Finish | MSL Peak Temp (3) | Op Temp (°C) | Top-Side Markings (4) | Samples |
|------------------|---------------|--------------|--------------------|------|-------------|----------------------------|------------------|----------------------|--------------|--------------------------|-------------------------|
| UCC28220QDRQ1 | ACTIVE | SOIC | D | 16 | 2500 | Green (RoHS & no Sb/Br) | CU NIPDAU | Level-1-260C-UNLIM | -40 to 125 | U28220Q | Samples |
| UCC28220QPWRQ1 | ACTIVE | TSSOP | PW | 16 | 2000 | Green (RoHS & no Sb/Br) | CU NIPDAU | Level-1-260C-UNLIM | -40 to 125 | U28220Q | Samples |

(1) The marketing status values are defined as follows:

ACTIVE: Product device recommended for new designs.

LIFEBUY: TI has announced that the device will be discontinued, and a lifetime-buy period is in effect.

NRND: Not recommended for new designs. Device is in production to support existing customers, but TI does not recommend using this part in a new design.

PREVIEW: Device has been announced but is not in production. Samples may or may not be available.

OBSOLETE: TI has discontinued the production of the device.

(2) Eco Plan - The planned eco-friendly classification: Pb-Free (RoHS), Pb-Free (RoHS Exempt), or Green (RoHS & no Sb/Br) - please check <http://www.ti.com/productcontent> for the latest availability information and additional product content details.

TBD: The Pb-Free/Green conversion plan has not been defined.

Pb-Free (RoHS): TI's terms "Lead-Free" or "Pb-Free" mean semiconductor products that are compatible with the current RoHS requirements for all 6 substances, including the requirement that lead not exceed 0.1% by weight in homogeneous materials. Where designed to be soldered at high temperatures, TI Pb-Free products are suitable for use in specified lead-free processes.

Pb-Free (RoHS Exempt): This component has a RoHS exemption for either 1) lead-based flip-chip solder bumps used between the die and package, or 2) lead-based die adhesive used between the die and leadframe. The component is otherwise considered Pb-Free (RoHS compatible) as defined above.

Green (RoHS & no Sb/Br): TI defines "Green" to mean Pb-Free (RoHS compatible), and free of Bromine (Br) and Antimony (Sb) based flame retardants (Br or Sb do not exceed 0.1% by weight in homogeneous material)

(3) MSL, Peak Temp. -- The Moisture Sensitivity Level rating according to the JEDEC industry standard classifications, and peak solder temperature.

(4) Only one of markings shown within the brackets will appear on the physical device.

Important Information and Disclaimer: The information provided on this page represents TI's knowledge and belief as of the date that it is provided. TI bases its knowledge and belief on information provided by third parties, and makes no representation or warranty as to the accuracy of such information. Efforts are underway to better integrate information from third parties. TI has taken and continues to take reasonable steps to provide representative and accurate information but may not have conducted destructive testing or chemical analysis on incoming materials and chemicals. TI and TI suppliers consider certain information to be proprietary, and thus CAS numbers and other limited information may not be available for release.

In no event shall TI's liability arising out of such information exceed the total purchase price of the TI part(s) at issue in this document sold by TI to Customer on an annual basis.

OTHER QUALIFIED VERSIONS OF UCC28220-Q1 :

- Catalog: [UCC28220](#)

NOTE: Qualified Version Definitions:

- Catalog - TI's standard catalog product

TAPE AND REEL INFORMATION



QUADRANT ASSIGNMENTS FOR PIN 1 ORIENTATION IN TAPE



*All dimensions are nominal

| Device | Package Type | Package Drawing | Pins | SPQ | Reel Diameter (mm) | Reel Width W1 (mm) | A0 (mm) | B0 (mm) | K0 (mm) | P1 (mm) | W (mm) | Pin1 Quadrant |
|----------------|--------------|-----------------|------|------|--------------------|--------------------|---------|---------|---------|---------|--------|---------------|
| UCC28220QPWRQ1 | TSSOP | PW | 16 | 2000 | 330.0 | 12.4 | 6.9 | 5.6 | 1.6 | 8.0 | 12.0 | Q1 |

TAPE AND REEL BOX DIMENSIONS

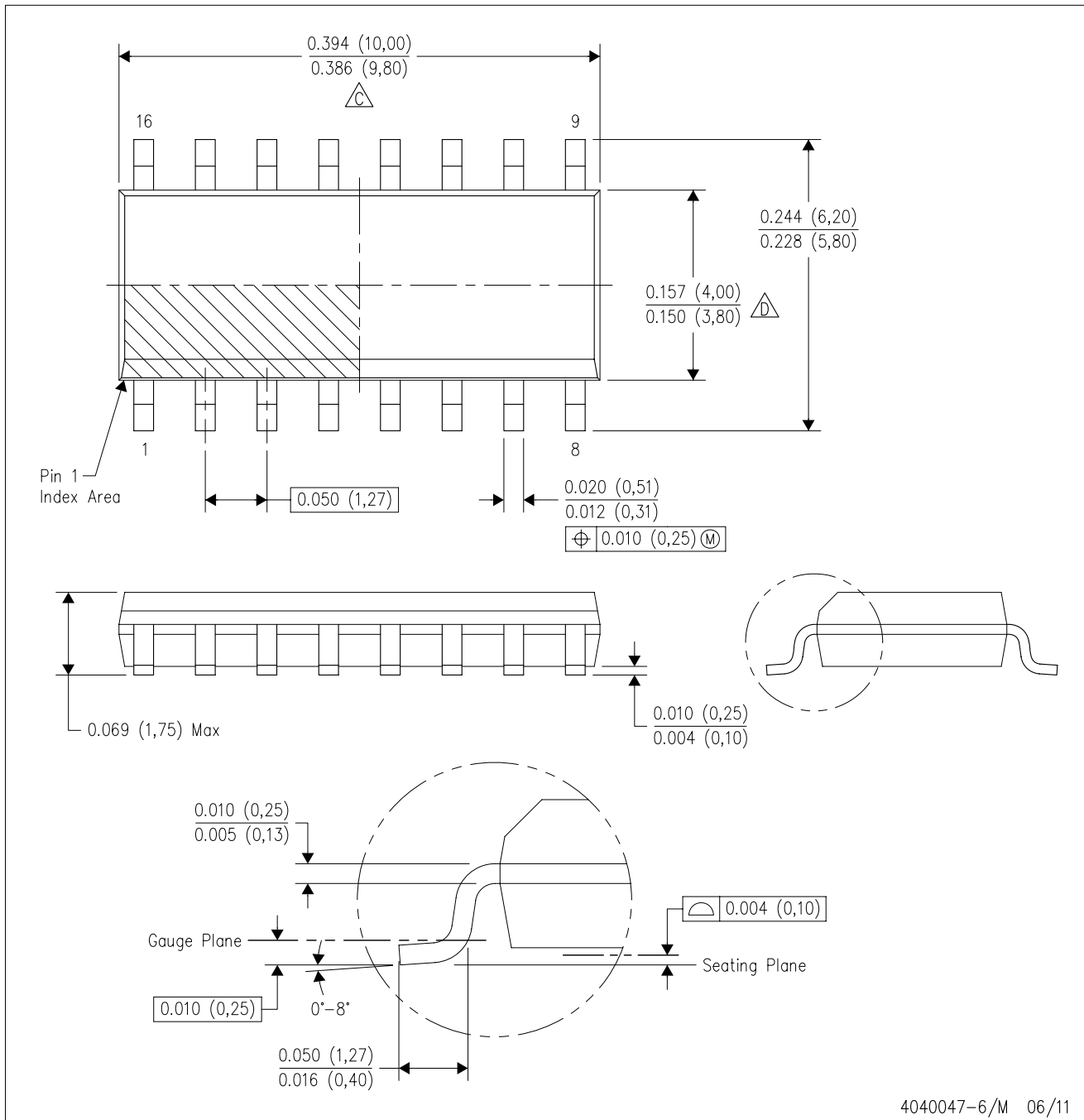


*All dimensions are nominal



| Device | Package Type | Package Drawing | Pins | SPQ | Length (mm) | Width (mm) | Height (mm) |
|----------------|--------------|-----------------|------|------|-------------|------------|-------------|
| UCC28220QPWRQ1 | TSSOP | PW | 16 | 2000 | 367.0 | 367.0 | 35.0 |

D (R-PDSO-G16)

PLASTIC SMALL OUTLINE



4040047-6/M 06/11

- NOTES:
- A. All linear dimensions are in inches (millimeters).
 - B. This drawing is subject to change without notice.
 -  C. Body length does not include mold flash, protrusions, or gate burrs. Mold flash, protrusions, or gate burrs shall not exceed 0.006 (0,15) each side.
 -  D. Body width does not include interlead flash. Interlead flash shall not exceed 0.017 (0,43) each side.
 - E. Reference JEDEC MS-012 variation AC.

D (R-PDSO-G16)

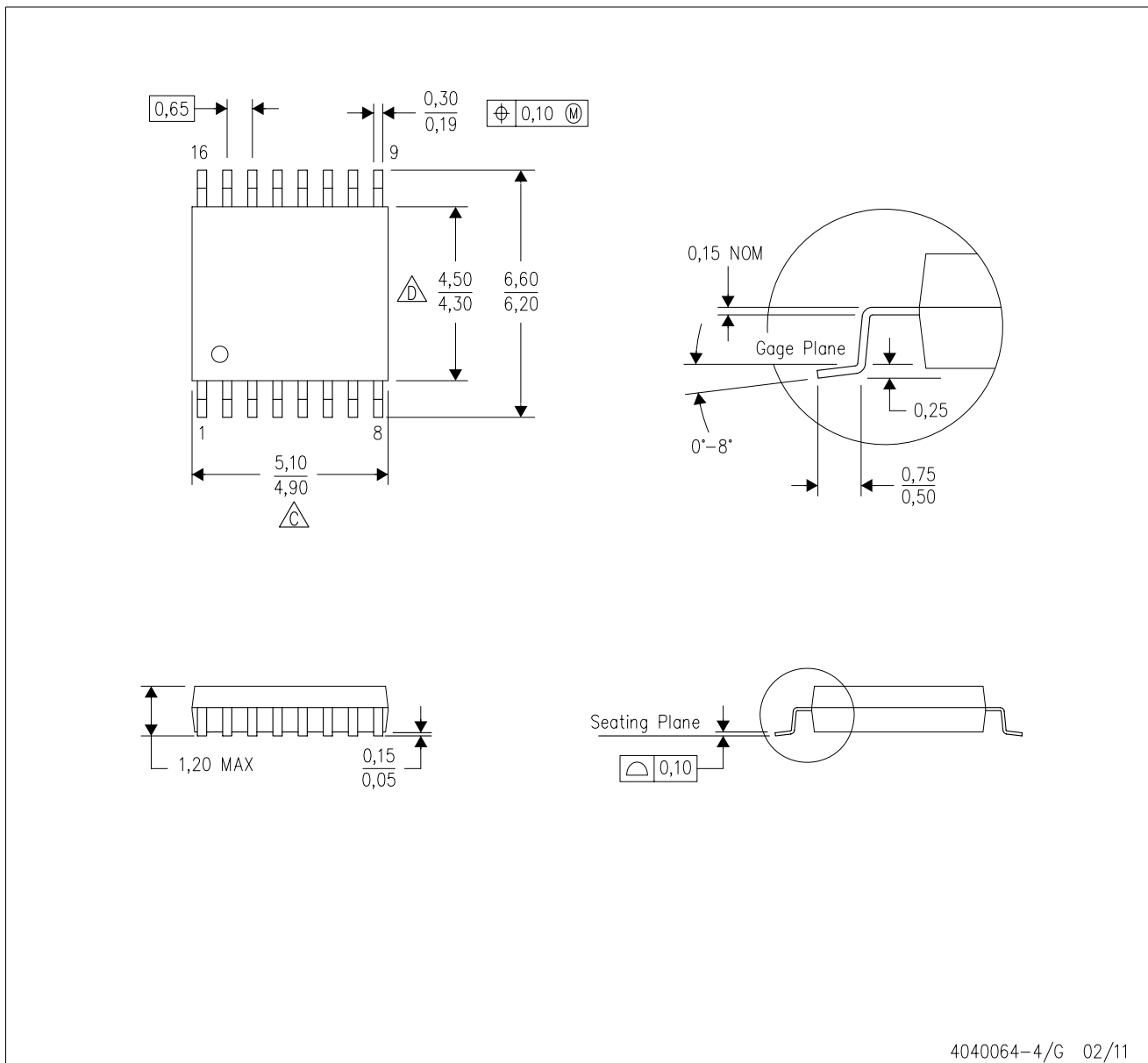
PLASTIC SMALL OUTLINE



- NOTES:
- A. All linear dimensions are in millimeters.
 - B. This drawing is subject to change without notice.
 - C. Publication IPC-7351 is recommended for alternate designs.
 - D. Laser cutting apertures with trapezoidal walls and also rounding corners will offer better paste release. Customers should contact their board assembly site for stencil design recommendations. Refer to IPC-7525 for other stencil recommendations.
 - E. Customers should contact their board fabrication site for solder mask tolerances between and around signal pads.

PW (R-PDSO-G16)

PLASTIC SMALL OUTLINE

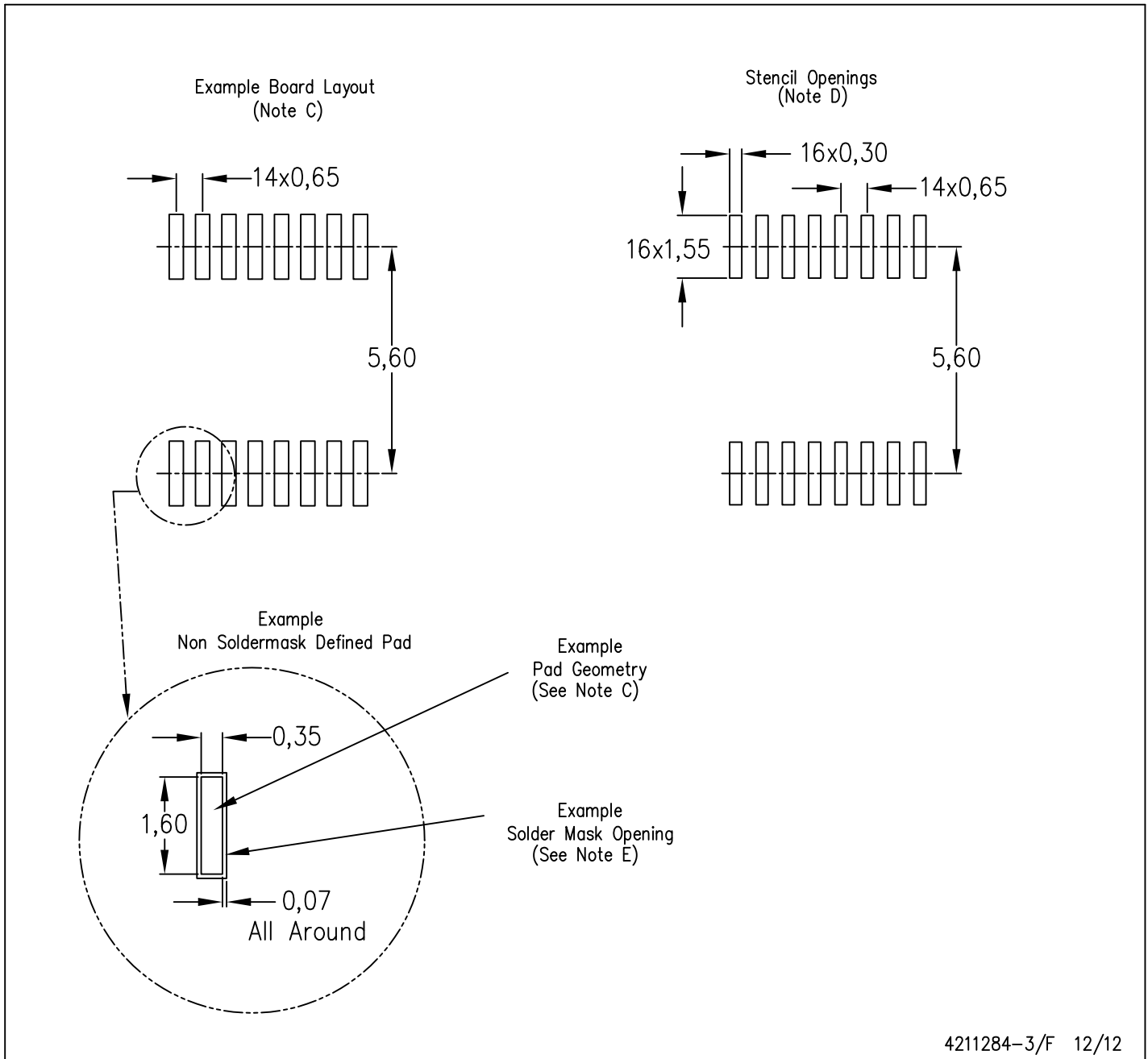


4040064-4/G 02/11

- NOTES:
- A. All linear dimensions are in millimeters. Dimensioning and tolerancing per ASME Y14.5M-1994.
 - B. This drawing is subject to change without notice.
 - C. Body length does not include mold flash, protrusions, or gate burrs. Mold flash, protrusions, or gate burrs shall not exceed 0,15 each side.
 - D. Body width does not include interlead flash. Interlead flash shall not exceed 0,25 each side.
 - E. Falls within JEDEC MO-153

PW (R-PDSO-G16)

PLASTIC SMALL OUTLINE



- NOTES:
- All linear dimensions are in millimeters.
 - This drawing is subject to change without notice.
 - Publication IPC-7351 is recommended for alternate designs.
 - Laser cutting apertures with trapezoidal walls and also rounding corners will offer better paste release. Customers should contact their board assembly site for stencil design recommendations. Refer to IPC-7525 for other stencil recommendations.
 - Customers should contact their board fabrication site for solder mask tolerances between and around signal pads.

IMPORTANT NOTICE

Texas Instruments Incorporated and its subsidiaries (TI) reserve the right to make corrections, enhancements, improvements and other changes to its semiconductor products and services per JESD46, latest issue, and to discontinue any product or service per JESD48, latest issue. Buyers should obtain the latest relevant information before placing orders and should verify that such information is current and complete. All semiconductor products (also referred to herein as "components") are sold subject to TI's terms and conditions of sale supplied at the time of order acknowledgment.

TI warrants performance of its components to the specifications applicable at the time of sale, in accordance with the warranty in TI's terms and conditions of sale of semiconductor products. Testing and other quality control techniques are used to the extent TI deems necessary to support this warranty. Except where mandated by applicable law, testing of all parameters of each component is not necessarily performed.

TI assumes no liability for applications assistance or the design of Buyers' products. Buyers are responsible for their products and applications using TI components. To minimize the risks associated with Buyers' products and applications, Buyers should provide adequate design and operating safeguards.

TI does not warrant or represent that any license, either express or implied, is granted under any patent right, copyright, mask work right, or other intellectual property right relating to any combination, machine, or process in which TI components or services are used. Information published by TI regarding third-party products or services does not constitute a license to use such products or services or a warranty or endorsement thereof. Use of such information may require a license from a third party under the patents or other intellectual property of the third party, or a license from TI under the patents or other intellectual property of TI.

Reproduction of significant portions of TI information in TI data books or data sheets is permissible only if reproduction is without alteration and is accompanied by all associated warranties, conditions, limitations, and notices. TI is not responsible or liable for such altered documentation. Information of third parties may be subject to additional restrictions.

Resale of TI components or services with statements different from or beyond the parameters stated by TI for that component or service voids all express and any implied warranties for the associated TI component or service and is an unfair and deceptive business practice. TI is not responsible or liable for any such statements.

Buyer acknowledges and agrees that it is solely responsible for compliance with all legal, regulatory and safety-related requirements concerning its products, and any use of TI components in its applications, notwithstanding any applications-related information or support that may be provided by TI. Buyer represents and agrees that it has all the necessary expertise to create and implement safeguards which anticipate dangerous consequences of failures, monitor failures and their consequences, lessen the likelihood of failures that might cause harm and take appropriate remedial actions. Buyer will fully indemnify TI and its representatives against any damages arising out of the use of any TI components in safety-critical applications.

In some cases, TI components may be promoted specifically to facilitate safety-related applications. With such components, TI's goal is to help enable customers to design and create their own end-product solutions that meet applicable functional safety standards and requirements. Nonetheless, such components are subject to these terms.

No TI components are authorized for use in FDA Class III (or similar life-critical medical equipment) unless authorized officers of the parties have executed a special agreement specifically governing such use.

Only those TI components which TI has specifically designated as military grade or "enhanced plastic" are designed and intended for use in military/aerospace applications or environments. Buyer acknowledges and agrees that any military or aerospace use of TI components which have **not** been so designated is solely at the Buyer's risk, and that Buyer is solely responsible for compliance with all legal and regulatory requirements in connection with such use.

TI has specifically designated certain components as meeting ISO/TS16949 requirements, mainly for automotive use. In any case of use of non-designated products, TI will not be responsible for any failure to meet ISO/TS16949.

Products

| | |
|------------------------------|--|
| Audio | www.ti.com/audio |
| Amplifiers | amplifier.ti.com |
| Data Converters | dataconverter.ti.com |
| DLP® Products | www.dlp.com |
| DSP | dsp.ti.com |
| Clocks and Timers | www.ti.com/clocks |
| Interface | interface.ti.com |
| Logic | logic.ti.com |
| Power Mgmt | power.ti.com |
| Microcontrollers | microcontroller.ti.com |
| RFID | www.ti-rfid.com |
| OMAP Applications Processors | www.ti.com/omap |
| Wireless Connectivity | www.ti.com/wirelessconnectivity |

Applications

| | |
|-------------------------------|--|
| Automotive and Transportation | www.ti.com/automotive |
| Communications and Telecom | www.ti.com/communications |
| Computers and Peripherals | www.ti.com/computers |
| Consumer Electronics | www.ti.com/consumer-apps |
| Energy and Lighting | www.ti.com/energy |
| Industrial | www.ti.com/industrial |
| Medical | www.ti.com/medical |
| Security | www.ti.com/security |
| Space, Avionics and Defense | www.ti.com/space-avionics-defense |
| Video and Imaging | www.ti.com/video |

TI E2E Community

e2e.ti.com