

## QML CLASS V, CURRENT-MODE PWM CONTROLLERS

### FEATURES

- QML-V Qualified, SMD 5962-86704
- Rad-Tolerant: 30 kRad (Si) TID <sup>(1)</sup> <sup>(2)</sup>
- Optimized for Offline and DC-to-DC Converters
- Low Start-Up Current (<0.5 mA)
- Trimmed Oscillator Discharge Current
- Automatic Feed Forward Compensation
- Pulse-by-Pulse Current Limiting
- Enhanced Load Response Characteristics
- Undervoltage Lockout With Hysteresis
- Double-Pulse Suppression
- High-Current Totem-Pole Output
- Internally Trimmed Bandgap Reference
- 500-kHz Operation
- Low  $R_O$  Error Amplifier

- (1) Radiation tolerance is a typical value based upon initial device qualification with dose rate = 10 mrad/sec. Radiation Lot Acceptance Testing is available - contact factory for details.
- (2) 5962-8670409VPA currently offered. Contact factory for additional devices.

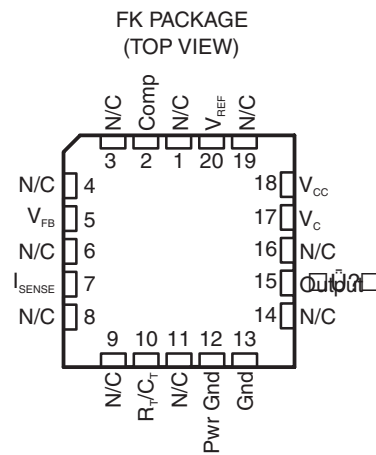
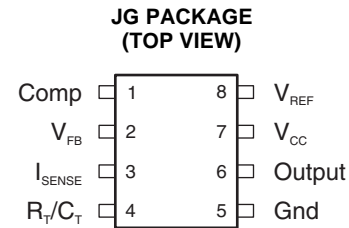
### DESCRIPTION

The UC1842A/3A/4A/5A family of control IC's is a pin for pin compatible improved version of the UC1842/3/4/5 family. Providing the necessary features to control current-mode switched-mode power supplies, this device has the following improved features. Start up current is guaranteed to be less than 0.5 mA. Oscillator discharge is trimmed to 8.3 mA. During undervoltage lockout, the output stage can sink at least 10 mA at less than 1.2 V for  $V_{CC}$  over 5 V.

The difference between members of this family are shown in [Table 1](#).

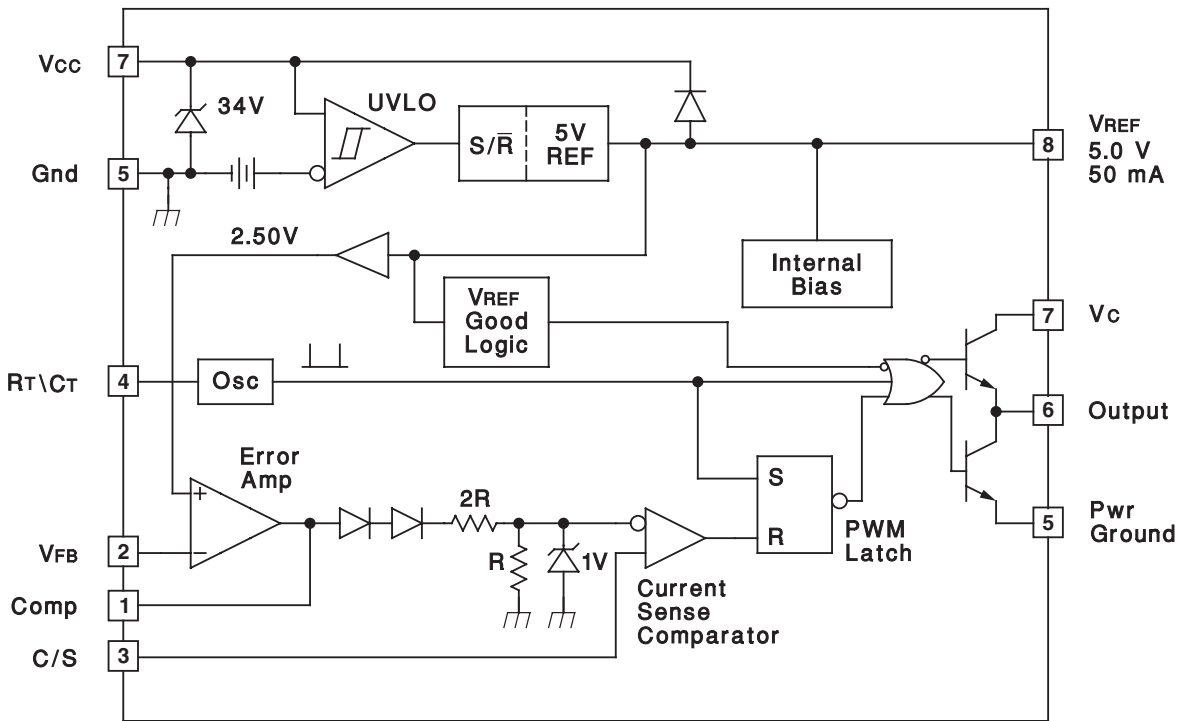
**Table 1. UC184xA Family**

PART NO.	UVLO ON	UVLO OFF	MAXIMUM DUTY CYCLE
UC1842A	16.0 V	10.0 V	< 100%
UC1843A	8.5 V	7.9 V	< 100%
UC1844A	16.0 V	10.0 V	< 50%
UC1845A	8.5 V	7.9 V	< 50%



Please be aware that an important notice concerning availability, standard warranty, and use in critical applications of Texas Instruments semiconductor products and disclaimers thereto appears at the end of this data sheet.

**BLOCK DIAGRAM**



**ORDERING INFORMATION<sup>(1)</sup>**

PARENT	PACKAGE <sup>(2)</sup>	ORDERABLE PART NUMBER	T <sub>A</sub>	TOP-SIDE MARKING
UC1842A	JG (8-CDIP)	5962-8670405VPA	–55°C to 125°C	8670405VPA/UC1842A
	FK (20-LCCC)	5962-8670405VXA		5962-8670405VXA/UC1842ALQMLV
UC1843A	JG (8-CDIP)	5962-8670406VPA	–55°C to 125°C	8670406VPA/UC1843A
	FK (20-LCCC)	5962-8670406VXA		5962-8670406VXA/UC1843ALQMLV
UC1844A	JG (8-CDIP)	5962-8670407VPA	–55°C to 125°C	8670407VPA/UC1844A
	FK (20-LCCC)	5962-8670407VXA		5962-8670407VXA/UC1844ALQMLV
UC1845A	JG (8-CDIP)	5962-8670408VPA	–55°C to 125°C	8670408VPA/UC1845A
	FK (20-LCCC)	5962-8670408VXA		5962-8670408VXA/UC1845ALQMLV

- (1) For the most current package and ordering information, see the Package Option Addendum at the end of this document, or see the TI web site at [www.ti.com](http://www.ti.com).
- (2) Package drawings, thermal data, and symbolization are available at [www.ti.com/packaging](http://www.ti.com/packaging).

**ORDERING INFORMATION (RADIATION IMPROVED DEVICES)<sup>(1)(2)</sup>**

PARENT	PACKAGE <sup>(3)</sup>	ORDERABLE PART NUMBER	T <sub>A</sub>	TOP-SIDE MARKING
UC1843A	JG (8-CDIP)	5962-8670409VPA	–55°C to 125°C	8670409VPA/UC1843A-SP

- (1) See Electrical Characteristics (Radiation Improved Devices).
- (2) For the most current package and ordering information, see the Package Option Addendum at the end of this document, or see the TI web site at [www.ti.com](http://www.ti.com).
- (3) Package drawings, thermal data, and symbolization are available at [www.ti.com/packaging](http://www.ti.com/packaging).

## ABSOLUTE MAXIMUM RATINGS<sup>(1)(2)</sup>

over operating free-air temperature range (unless otherwise noted)

$V_{CC}$	Supply voltage, low-impedance source	30 V
	Supply current	Self limiting
$I_O$	Output current	$\pm 1$ A
	Output energy (capacitive load)	5 $\mu$ J
$V_I$	Input voltage ( $V_{FB}$ , $I_{SENSE}$ )	-0.3 V to 6.3 V
	Error amplifier output sink current	10 mA
$P_D$	Power dissipation ( $T_A = 25^\circ\text{C}$ )	1 W
$T_{stg}$	Storage temperature range	-65°C to 150°C
$T_{lead}$	Lead temperature (soldering, 10 seconds)	300°C

- (1) Stresses beyond those listed under *absolute maximum ratings* may cause permanent damage to the device. These are stress ratings only, and functional operation of the device at these or any other conditions beyond those indicated under *recommended operating conditions* is not implied. Exposure to absolute-maximum-rated conditions for extended periods may affect device reliability.
- (2) All voltages are with respect to ground. Currents are positive into, negative out of the specified terminal.

## RECOMMENDED OPERATING CONDITIONS

over operating free-air temperature range ( $T_A = T_J = -55^\circ\text{C}$  to  $125^\circ\text{C}$ ), unless otherwise noted.

	MIN	MAX	UNIT
$V_{CC}$ Supply voltage	12	25	V
Sink/source output current (continuous or time average)	0	200	mA
Reference load current	0	20	mA

## ELECTRICAL CHARACTERISTICS

$V_{CC} = 15\text{ V}^{(1)}$ ,  $R_T = 10\text{ k}\Omega$ ,  $C_T = 3.3\text{ nF}$ ,  $T_A = T_J = -55^\circ\text{C}$  to  $125^\circ\text{C}$  (unless otherwise noted)

PARAMETER	TEST CONDITIONS	MIN	TYP	MAX	UNIT	
<b>Reference Section</b>						
Output voltage	$T_J = 25^\circ\text{C}$ , $I_O = 1\text{ mA}$	4.95	5	5.06	V	
Line regulation	$V_{IN} = 12\text{ V}$ to $25\text{ V}$		6	20	mV	
Load regulation	$I_O = 1\text{ mA}$ to $20\text{ mA}$		6	25	mV	
Temperature stability <sup>(2)(3)</sup>			0.2	0.4	mV/°C	
Total output variation	Over line, load, and temperature	4.9		5.1	V	
Output noise voltage	$10\text{ Hz} \leq f \leq 10\text{ kHz}$ , $T_J = 25^\circ\text{C}$		50		$\mu$ V	
Long term stability	1000 hours, $T_A = 125^\circ\text{C}^{(2)}$		5	25	mV	
Short-circuit output current		-30	-100	-180	mA	
<b>Oscillator Section</b>						
Initial accuracy	$T_J = 25^\circ\text{C}^{(4)}$	47	52	57	kHz	
Voltage stability	$V_{CC} = 12\text{ V}$ to $25\text{ V}$		0.2	1	%	
Temperature stability	$T_A = \text{MIN}$ to $\text{MAX}^{(2)}$		5		%	
Amplitude peak-to-peak	V pin 4 <sup>(2)</sup>		1.7		V	
Discharge current	V pin 4 = $2\text{ V}^{(5)}$	$T_J = 25^\circ\text{C}$	7.8	8.3	8.8	mA
		$T_J = \text{Full range}$	7.5		8.8	

- (1) Adjust  $V_{CC}$  above the start threshold before setting at 15 V.
- (2) Parameters ensured by design and/or characterization, if not production tested.
- (3) Temperature stability, sometimes referred to as average temperature coefficient, is described by the equation:  
 Temp Stability =  $V_{REF}(\text{max}) - V_{REF}(\text{min}) / T_J(\text{max}) - T_J(\text{min})$ .  $V_{REF}(\text{max})$  and  $V_{REF}(\text{min})$  are the maximum and minimum reference voltage measured over the appropriate temperature range. Note that the extremes in voltage do not necessarily occur at the extremes in temperature.
- (4) Output frequency equals oscillator frequency for the UC1842A and UC1843A. Output frequency is one half oscillator frequency for UC1844A and UC1845A.
- (5) This parameter is measured with  $R_T = 10\text{ k}\Omega$  to  $V_{REF}$ . This contributes approximately 300  $\mu$ A of current to the measurement. The total current flowing into the  $R_T/C_T$  pin will be approximately 300  $\mu$ A higher than the measured value.

**ELECTRICAL CHARACTERISTICS (continued)**
 $V_{CC} = 15\text{ V}$ ,  $R_T = 10\text{ k}\Omega$ ,  $C_T = 3.3\text{ nF}$ ,  $T_A = T_J = -55^\circ\text{C}$  to  $125^\circ\text{C}$  (unless otherwise noted)

PARAMETER	TEST CONDITIONS	MIN	TYP	MAX	UNIT
<b>Error Amp Section</b>					
Input voltage	$V_{Comp} = 2.5\text{ V}$	2.45	2.50	2.55	mV
Input bias current			-0.3	-1	$\mu\text{A}$
Open-loop voltage gain	$V_O = 2\text{ V}$ to $4\text{ V}$	65	90		dB
Unity-gain bandwidth	$T_J = 25^\circ\text{C}^{(6)}$	0.7	1		MHz
PSRR	$V_{CC} = 12\text{ V}$ to $25\text{ V}$	60	70		dB
Output sink current	$V_{FB} = 2.7\text{ V}$ , $V_{Comp} = 1.1\text{ V}$	2	6		mA
Output source current	$V_{FB} = 2.3\text{ V}$ , $V_{Comp} = 5\text{ V}$	-0.5	-0.8		mA
High-level output voltage	$V_{FB} = 2.3\text{ V}$ , $R_L = 15\text{ k}\Omega$ to ground	5	6		V
Low-level output voltage	$V_{FB} = 2.7\text{ V}$ , $R_L = 15\text{ k}\Omega$ to $V_{REF}$		0.7	1.1	V
<b>Current Sense Section</b>					
Gain <sup>(7)(8)</sup>		2.85	3	3.15	V/V
Maximum input signal	$V_{Comp} = 5\text{ V}^{(7)}$	0.9	1	1.1	V
PSRR	$V_{CC} = 12\text{ V}$ to $25\text{ V}^{(7)}$		70		dB
Input bias current			-2	-10	$\mu\text{A}$
Delay to output	$V_{ISENSE} = 0$ to $2\text{ V}^{(6)}$		150	300	ns
<b>Output Section</b>					
Output low-level voltage	$I_{SINK} = 20\text{ mA}$		0.1	0.4	V
	$I_{SINK} = 200\text{ mA}$		1.5	2.2	V
Output high-level voltage	$I_{SOURCE} = -20\text{ mA}$	13	13.5		V
	$I_{SOURCE} = -200\text{ mA}$	12	13.5		V
Rise time	$C_L = 1\text{ nF}$ , $T_J = 25^\circ\text{C}^{(6)}$		50	150	ns
Fall time	$C_L = 1\text{ nF}$ , $T_J = 25^\circ\text{C}^{(6)}$		50	150	ns
UVLO saturation	$V_{CC} = 5\text{ V}$ , $I_{SINK} = 10\text{ mA}$		0.7	1.2	V
<b>Undervoltage Lockout Section</b>					
Start threshold	UC1842A, UC1844A	15	16	17	V
	UC1843A, UC1845A	7.8	8.4	9	
Minimum operation voltage after turn-on	UC1842A, UC1844A	9	10	11	V
	UC1843A, UC1845A	7	7.6	8.2	
<b>PWM Section</b>					
Maximum duty cycle	UC1842A, UC1843A	94	96	100	%
	UC1844A, UC1845A	47	48	50	
Minimum duty cycle				0	%
<b>Total Standby Current</b>					
Start-up current			0.3	0.5	mA
Operating supply current	$V_{FB} = V_{ISENSE} = 0\text{ V}$		11	17	mA
$V_{CC}$ zener voltage	$I_{CC} = 25\text{ mA}$	30	34		V

(6) Parameters ensured by design and/or characterization, if not production tested.

(7) Parameter measured at trip point of latch with  $V_{FB} = 0\text{ V}$ .(8) Gain defined as:  $G = \Delta V_{Comp} / \Delta V_{ISENSE}$ ;  $V_{ISENSE} = 0$  to  $0.8\text{ V}$ .

**ELECTRICAL CHARACTERISTICS (RADIATION IMPROVED DEVICES)<sup>(1)</sup>**
 $V_{CC} = 15\text{ V}$ ,  $R_T = 10\text{ k}\Omega$ ,  $C_T = 3.3\text{ nF}$ ,  $T_A = T_J = -55^\circ\text{C}$  to  $125^\circ\text{C}$  (unless otherwise noted)

PARAMETER	TEST CONDITIONS	MIN	TYP	MAX	UNIT
<b>Reference Section</b>					
Output voltage	$T_J = 25^\circ\text{C}$ , $I_O = 1\text{ mA}$	4.94	5	5.06	V
Line regulation	$V_{CC} = 12\text{ V}$ to $25\text{ V}$		6	20	mV
Load regulation	$I_L = 1\text{ mA}$ to $20\text{ mA}$		6	25	mV
Total output variation	Over line, load, and temperature	4.9		5.1	V
Output noise voltage	$10\text{ Hz} \leq f \leq 10\text{ kHz}$ , $T_J = 25^\circ\text{C}$		50		$\mu\text{V}$
Short-circuit output current		-30	-100	-180	mA
<b>Oscillator Section</b>					
Initial accuracy	$T_J = 25^\circ\text{C}$	47	52	57	kHz
Voltage stability	$V_{CC} = 12\text{ V}$ to $25\text{ V}$		0.2	1	%
Temperature stability	$T_J = -55^\circ\text{C}$ to $125^\circ\text{C}$		5		%
Amplitude	$V_{RT/CT}$ peak to peak		1.7		V
Discharge current <sup>(2)</sup>	$T_J = 25^\circ\text{C}$ , $V_{RT/CT} = 2\text{ V}$	7.8	8.3	8.8	mA
	$V_{RT/CT} = 2\text{ V}$	7.5		8.8	
<b>Error Amp Section</b>					
Input voltage	$V_{Comp} = 2.5\text{ V}$	2.45	2.50	2.55	mV
Input bias current			-0.3	-1	$\mu\text{A}$
Open-loop voltage gain	$V_O = 2\text{ V}$ to $4\text{ V}$	65	90		dB
Unity-gain bandwidth	$T_J = 25^\circ\text{C}$ <sup>(3)</sup>	0.7	1		MHz
PSRR	$V_{CC} = 12\text{ V}$ to $25\text{ V}$	60	70		dB
Output sink current	$V_{FB} = 2.7\text{ V}$ , $V_{Comp} = 1.1\text{ V}$	2	6		mA
Output source current	$V_{FB} = 2.3\text{ V}$ , $V_{Comp} = 5\text{ V}$	-0.5	-0.8		mA
High-level output voltage	$V_{FB} = 2.3\text{ V}$ , $R_L = 15\text{ k}\Omega$ to ground	5	6		V
Low-level output voltage	$V_{FB} = 2.7\text{ V}$ , $R_L = 15\text{ k}\Omega$ to $V_{REF}$		0.7	1.1	V
<b>Current Sense Section</b>					
Gain <sup>(4)(5)</sup>		2.85	3	3.15	V/V
Maximum input signal	$V_{Comp} = 5\text{ V}$ <sup>(4)</sup>	0.9	1	1.1	V
PSRR	$V_{CC} = 12\text{ V}$ to $25\text{ V}$ <sup>(4)</sup>		70		dB
Input bias current			-2	-10	$\mu\text{A}$
Delay to output	$V_{ISENSE} = 0$ to $2\text{ V}$ <sup>(3)</sup>		150	300	ns
<b>Output Section</b>					
Output low-level voltage	$I_{SINK} = 20\text{ mA}$		0.1	0.4	V
	$I_{SINK} = 200\text{ mA}$		1.5	2.2	V
Output high-level voltage	$I_{SOURCE} = 20\text{ mA}$	13	13.5		V
	$I_{SOURCE} = 200\text{ mA}$	12	13.0		V
Rise time	$C_L = 1\text{ nF}$ , $T_J = 25^\circ\text{C}$ <sup>(3)</sup>		50	150	ns
Fall time	$C_L = 1\text{ nF}$ , $T_J = 25^\circ\text{C}$ <sup>(3)</sup>		50	150	ns
UVLO saturation	$V_{CC} = 5\text{ V}$ , $I_{SINK} = 10\text{ mA}$		0.7	1.2	V
<b>Undervoltage Lockout Section</b>					
Start threshold		7.8	8.4	9	V
Minimum operation voltage after turn-on		7	7.6	8.2	V
<b>PWM Section</b>					

(1) See Ordering Information (Radiation Improved Devices).

(2) This parameter is measured with  $R_T = 10\text{ k}\Omega$  to  $V_{REF}$ . This contributes approximately  $300\text{ }\mu\text{A}$  of current to the measurement. The total current flowing into the  $R_T/C_T$  pin will be approximately  $300\text{ }\mu\text{A}$  higher than the measured value.

(3) Parameters ensured by design and/or characterization, if not production tested.

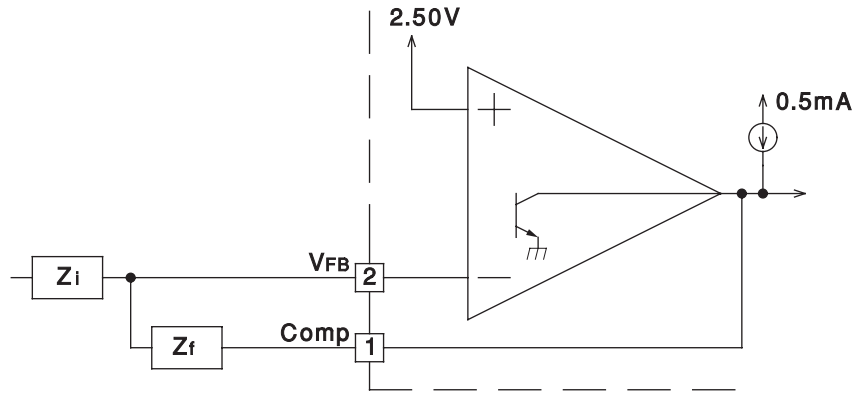
(4) Parameter measured at trip point of latch with  $V_{FB} = 0\text{ V}$ .

(5) Gain defined as:  $G = \Delta V_{Comp} / \Delta V_{ISENSE}$ ;  $V_{ISENSE} = 0$  to  $0.8\text{ V}$ .

**ELECTRICAL CHARACTERISTICS (RADIATION IMPROVED DEVICES) (continued)**
 $V_{CC} = 15\text{ V}$ ,  $R_T = 10\text{ k}\Omega$ ,  $C_T = 3.3\text{ nF}$ ,  $T_A = T_J = -55^\circ\text{C}$  to  $125^\circ\text{C}$  (unless otherwise noted)

PARAMETER	TEST CONDITIONS	MIN	TYP	MAX	UNIT
Maximum duty cycle		94	96	100	%
Minimum duty cycle				0	%
<b>Total Standby Current</b>					
Start-up current			0.3	0.5	mA
Operating supply current	$V_{FB} = V_{ISENSE} = 0\text{ V}$		11	17	mA
$V_{CC}$ zener voltage	$I_{CC} = 25\text{ mA}$	30	34		V

APPLICATION INFORMATION



Amp can Source and Sink up to 0.5mA, and Sink up to 2mA.

Figure 1. Error Amplifier Configuration

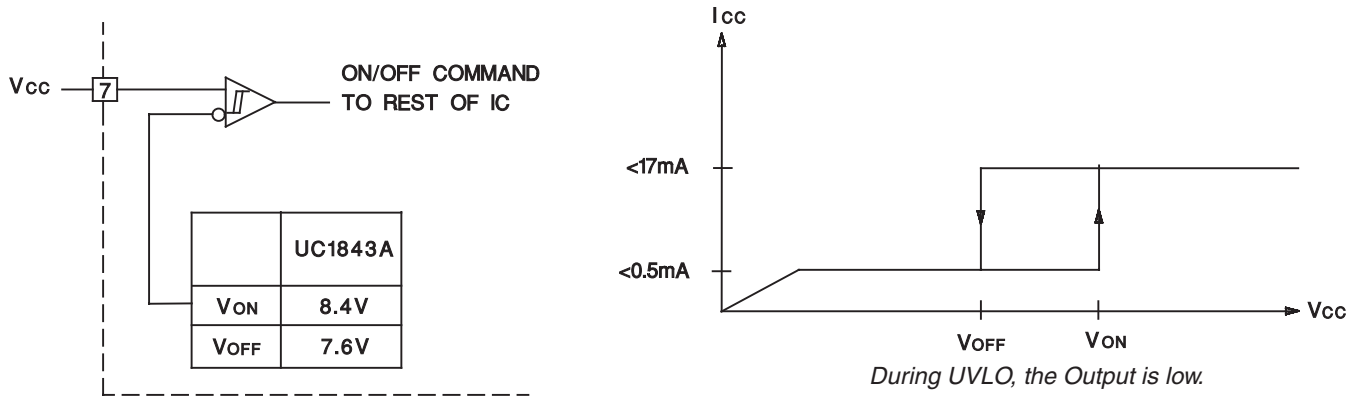
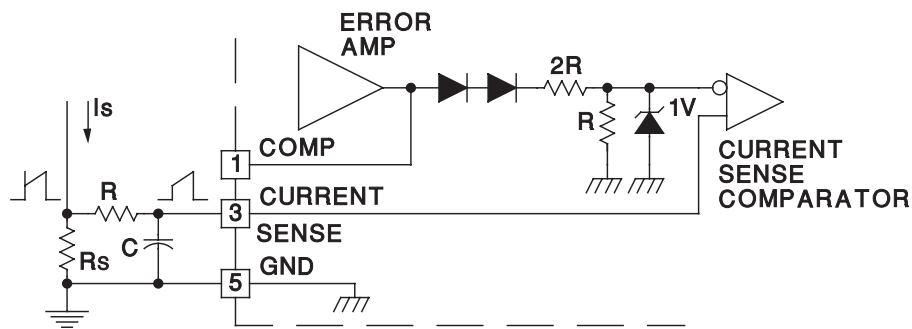


Figure 2. Undervoltage Lockout



Peak Current (Is) is Determined By The Formula  

$$I_{S\text{MAX}} = \frac{1.0V}{R_S}$$

A small RC filter may be required to suppress switch transients.

Figure 3. Current-Sense Circuit

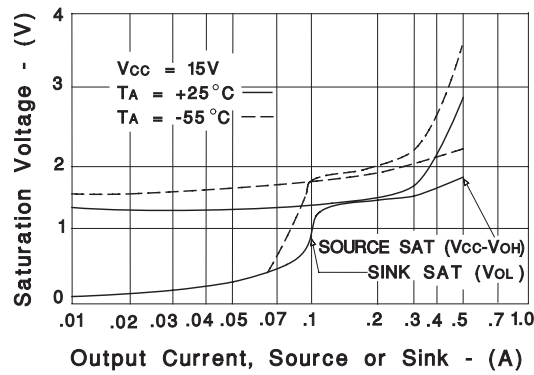


Figure 4. Output Saturation Characteristics

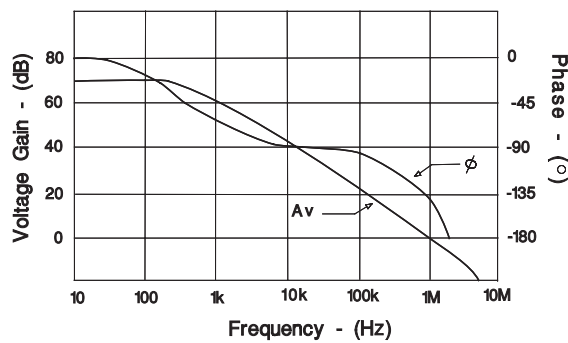
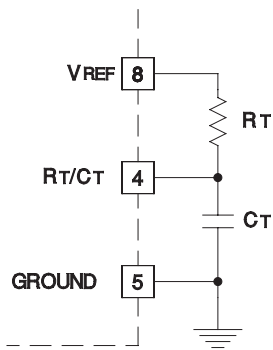


Figure 5. Error Amplifier Open-Loop Frequency Response

Oscillator Frequency vs Timing Resistance

Maximum Duty Cycle vs Timing Resistor



For  $RT > 5k$   $f \approx \frac{1.72}{RTCT}$

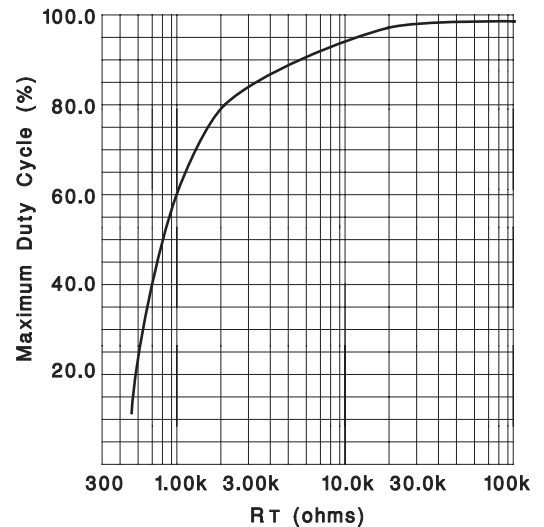
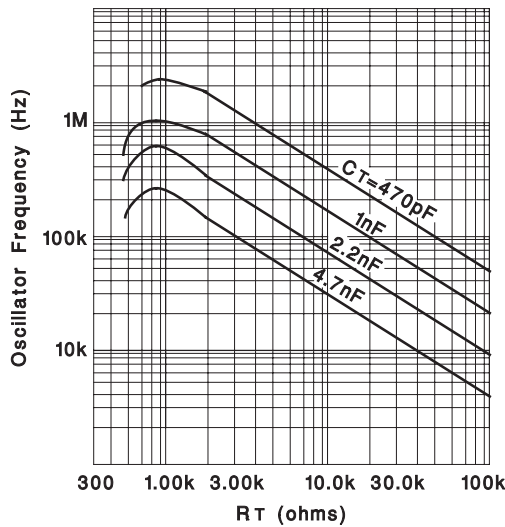
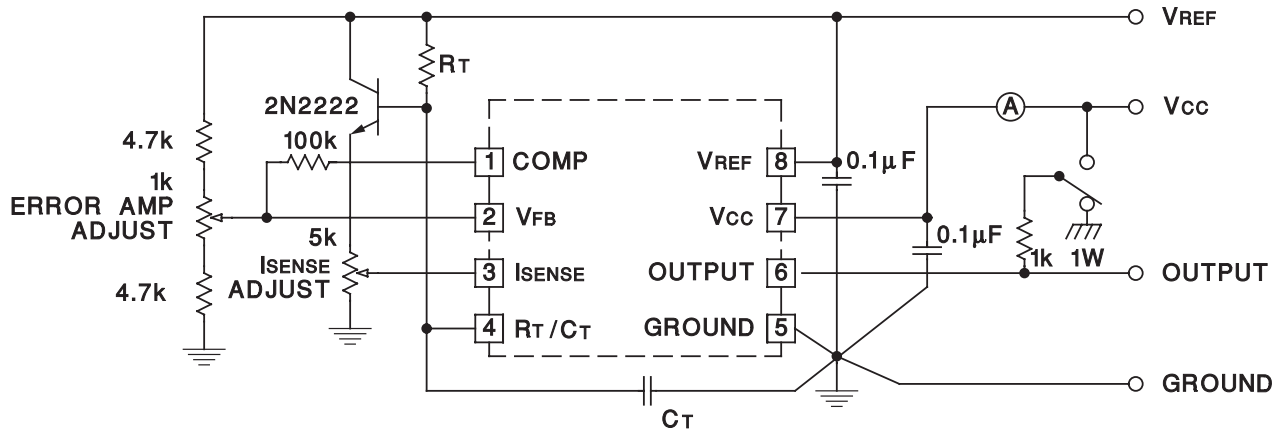


Figure 6. Oscillation Section

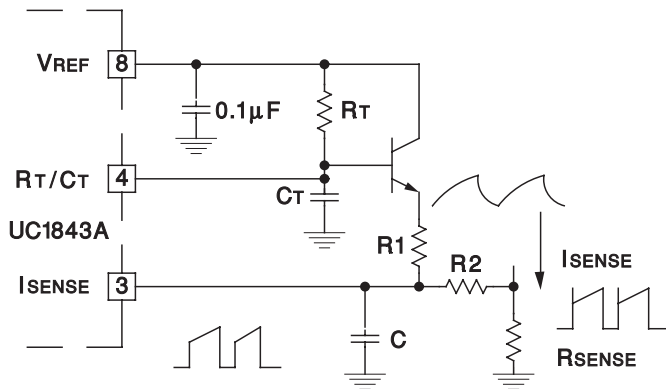




High peak currents associated with capacitive loads necessitate careful grounding techniques. Timing and bypass capacitors should be connected close to pin 5 in a single point

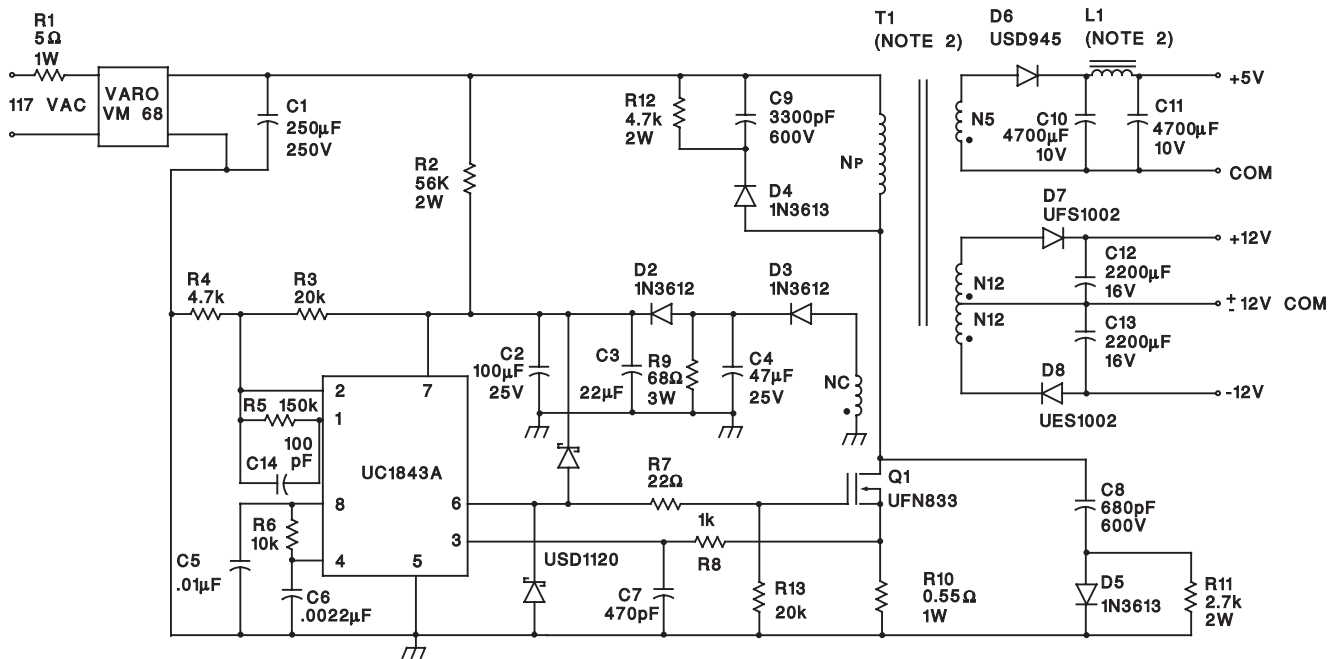
ground. The transistor and 5k potentiometer are used to sample the oscillator waveform and apply an adjustable ramp to pin 3.

Figure 7. Open-Loop Laboratory Test Fixture



A fraction of the oscillator ramp can be resistively summed with the current sense signal to provide slope compensation for converters requiring duty cycles over 50%. Note that capacitor, C, forms a filter with R2 to suppress the leading edge switch spikes.

Figure 8. Slope Compensation



Power Supply Specifications

- |                         |                                |
|-------------------------|--------------------------------|
| 1. Input Voltage        | 95VAC to 130VA<br>(50 Hz/60Hz) |
| 2. Line Isolation       | 3750V                          |
| 3. Switching Frequency  | 40kHz                          |
| 4. Efficiency Full Load | 70%                            |

5. Output Voltage:
- |                                 |                               |
|---------------------------------|-------------------------------|
| A. +5V ± 5%; 1A to 4A load      | Ripple voltage: 50mV P-P Max  |
| B. +12V ± 3%; 0.1A to 0.3A load | Ripple voltage: 100mV P-P Max |
| C. -12V ± 3%; 0.1A to 0.3A load | Ripple voltage: 100mV P-P Max |

Figure 9. Offline Flyback Regulator

**PACKAGING INFORMATION**

Orderable Device	Status <sup>(1)</sup>	Package Type	Package Drawing	Pins	Package Qty	Eco Plan <sup>(2)</sup>	Lead/ Ball Finish	MSL Peak Temp <sup>(3)</sup>	Samples (Requires Login)
5962-8670405VPA	ACTIVE	CDIP	JG	8	1	TBD	A42	N / A for Pkg Type	<a href="#">Add to cart</a>
5962-8670405VXA	ACTIVE	LCCC	FK	20	1	TBD	POST-PLATE	N / A for Pkg Type	<a href="#">Add to cart</a>
5962-8670406VPA	ACTIVE	CDIP	JG	8	1	TBD	A42	N / A for Pkg Type	<a href="#">Add to cart</a>
5962-8670406VXA	ACTIVE	LCCC	FK	20	1	TBD	POST-PLATE	N / A for Pkg Type	<a href="#">Add to cart</a>
5962-8670407VPA	ACTIVE	CDIP	JG	8	1	TBD	A42	N / A for Pkg Type	<a href="#">Add to cart</a>
5962-8670407VXA	ACTIVE	LCCC	FK	20	1	TBD	POST-PLATE	N / A for Pkg Type	<a href="#">Add to cart</a>
5962-8670408VPA	ACTIVE	CDIP	JG	8	1	TBD	A42	N / A for Pkg Type	<a href="#">Add to cart</a>
5962-8670408VXA	ACTIVE	LCCC	FK	20	1	TBD	POST-PLATE	N / A for Pkg Type	<a href="#">Add to cart</a>
5962-8670409VPA	ACTIVE	CDIP	JG	8	1	TBD	A42	N / A for Pkg Type	<a href="#">Add to cart</a>

<sup>(1)</sup> The marketing status values are defined as follows:

**ACTIVE:** Product device recommended for new designs.

**LIFEBUY:** TI has announced that the device will be discontinued, and a lifetime-buy period is in effect.

**NRND:** Not recommended for new designs. Device is in production to support existing customers, but TI does not recommend using this part in a new design.

**PREVIEW:** Device has been announced but is not in production. Samples may or may not be available.

**OBSOLETE:** TI has discontinued the production of the device.

<sup>(2)</sup> Eco Plan - The planned eco-friendly classification: Pb-Free (RoHS), Pb-Free (RoHS Exempt), or Green (RoHS & no Sb/Br) - please check <http://www.ti.com/productcontent> for the latest availability information and additional product content details.

**TBD:** The Pb-Free/Green conversion plan has not been defined.

**Pb-Free (RoHS):** TI's terms "Lead-Free" or "Pb-Free" mean semiconductor products that are compatible with the current RoHS requirements for all 6 substances, including the requirement that lead not exceed 0.1% by weight in homogeneous materials. Where designed to be soldered at high temperatures, TI Pb-Free products are suitable for use in specified lead-free processes.

**Pb-Free (RoHS Exempt):** This component has a RoHS exemption for either 1) lead-based flip-chip solder bumps used between the die and package, or 2) lead-based die adhesive used between the die and leadframe. The component is otherwise considered Pb-Free (RoHS compatible) as defined above.

**Green (RoHS & no Sb/Br):** TI defines "Green" to mean Pb-Free (RoHS compatible), and free of Bromine (Br) and Antimony (Sb) based flame retardants (Br or Sb do not exceed 0.1% by weight in homogeneous material)

<sup>(3)</sup> MSL, Peak Temp. -- The Moisture Sensitivity Level rating according to the JEDEC industry standard classifications, and peak solder temperature.

**Important Information and Disclaimer:** The information provided on this page represents TI's knowledge and belief as of the date that it is provided. TI bases its knowledge and belief on information provided by third parties, and makes no representation or warranty as to the accuracy of such information. Efforts are underway to better integrate information from third parties. TI has taken and continues to take reasonable steps to provide representative and accurate information but may not have conducted destructive testing or chemical analysis on incoming materials and chemicals. TI and TI suppliers consider certain information to be proprietary, and thus CAS numbers and other limited information may not be available for release.

In no event shall TI's liability arising out of such information exceed the total purchase price of the TI part(s) at issue in this document sold by TI to Customer on an annual basis.

**OTHER QUALIFIED VERSIONS OF UC1842A-SP, UC1843A-SP, UC1844A-SP, UC1845A-SP :**

- Catalog: [UC1842A](#), [UC1843A](#), [UC1844A](#), [UC1845A](#)
- Enhanced Product: [UC1842A-EP](#), [UC1843A-EP](#), [UC1844A-EP](#), [UC1845A-EP](#)

NOTE: Qualified Version Definitions:

- Catalog - TI's standard catalog product
- Enhanced Product - Supports Defense, Aerospace and Medical Applications

JG (R-GDIP-T8)

CERAMIC DUAL-IN-LINE



- NOTES: A. All linear dimensions are in inches (millimeters).  
 B. This drawing is subject to change without notice.  
 C. This package can be hermetically sealed with a ceramic lid using glass frit.  
 D. Index point is provided on cap for terminal identification.  
 E. Falls within MIL STD 1835 GDIP1-T8

FK (S-CQCC-N\*\*)

LEADLESS CERAMIC CHIP CARRIER

28 TERMINAL SHOWN



NO. OF TERMINALS **	A		B	
	MIN	MAX	MIN	MAX
20	0.342 (8,69)	0.358 (9,09)	0.307 (7,80)	0.358 (9,09)
28	0.442 (11,23)	0.458 (11,63)	0.406 (10,31)	0.458 (11,63)
44	0.640 (16,26)	0.660 (16,76)	0.495 (12,58)	0.560 (14,22)
52	0.740 (18,78)	0.761 (19,32)	0.495 (12,58)	0.560 (14,22)
68	0.938 (23,83)	0.962 (24,43)	0.850 (21,6)	0.858 (21,8)
84	1.141 (28,99)	1.165 (29,59)	1.047 (26,6)	1.063 (27,0)



4040140/D 01/11

- NOTES:
- All linear dimensions are in inches (millimeters).
  - This drawing is subject to change without notice.
  - This package can be hermetically sealed with a metal lid.
  - Falls within JEDEC MS-004

## IMPORTANT NOTICE

Texas Instruments Incorporated and its subsidiaries (TI) reserve the right to make corrections, enhancements, improvements and other changes to its semiconductor products and services per JESD46, latest issue, and to discontinue any product or service per JESD48, latest issue. Buyers should obtain the latest relevant information before placing orders and should verify that such information is current and complete. All semiconductor products (also referred to herein as "components") are sold subject to TI's terms and conditions of sale supplied at the time of order acknowledgment.

TI warrants performance of its components to the specifications applicable at the time of sale, in accordance with the warranty in TI's terms and conditions of sale of semiconductor products. Testing and other quality control techniques are used to the extent TI deems necessary to support this warranty. Except where mandated by applicable law, testing of all parameters of each component is not necessarily performed.

TI assumes no liability for applications assistance or the design of Buyers' products. Buyers are responsible for their products and applications using TI components. To minimize the risks associated with Buyers' products and applications, Buyers should provide adequate design and operating safeguards.

TI does not warrant or represent that any license, either express or implied, is granted under any patent right, copyright, mask work right, or other intellectual property right relating to any combination, machine, or process in which TI components or services are used. Information published by TI regarding third-party products or services does not constitute a license to use such products or services or a warranty or endorsement thereof. Use of such information may require a license from a third party under the patents or other intellectual property of the third party, or a license from TI under the patents or other intellectual property of TI.

Reproduction of significant portions of TI information in TI data books or data sheets is permissible only if reproduction is without alteration and is accompanied by all associated warranties, conditions, limitations, and notices. TI is not responsible or liable for such altered documentation. Information of third parties may be subject to additional restrictions.

Resale of TI components or services with statements different from or beyond the parameters stated by TI for that component or service voids all express and any implied warranties for the associated TI component or service and is an unfair and deceptive business practice. TI is not responsible or liable for any such statements.

Buyer acknowledges and agrees that it is solely responsible for compliance with all legal, regulatory and safety-related requirements concerning its products, and any use of TI components in its applications, notwithstanding any applications-related information or support that may be provided by TI. Buyer represents and agrees that it has all the necessary expertise to create and implement safeguards which anticipate dangerous consequences of failures, monitor failures and their consequences, lessen the likelihood of failures that might cause harm and take appropriate remedial actions. Buyer will fully indemnify TI and its representatives against any damages arising out of the use of any TI components in safety-critical applications.

In some cases, TI components may be promoted specifically to facilitate safety-related applications. With such components, TI's goal is to help enable customers to design and create their own end-product solutions that meet applicable functional safety standards and requirements. Nonetheless, such components are subject to these terms.

No TI components are authorized for use in FDA Class III (or similar life-critical medical equipment) unless authorized officers of the parties have executed a special agreement specifically governing such use.

Only those TI components which TI has specifically designated as military grade or "enhanced plastic" are designed and intended for use in military/aerospace applications or environments. Buyer acknowledges and agrees that any military or aerospace use of TI components which have **not** been so designated is solely at the Buyer's risk, and that Buyer is solely responsible for compliance with all legal and regulatory requirements in connection with such use.

TI has specifically designated certain components as meeting ISO/TS16949 requirements, mainly for automotive use. In any case of use of non-designated products, TI will not be responsible for any failure to meet ISO/TS16949.

### Products

Audio	<a href="http://www.ti.com/audio">www.ti.com/audio</a>
Amplifiers	<a href="http://amplifier.ti.com">amplifier.ti.com</a>
Data Converters	<a href="http://dataconverter.ti.com">dataconverter.ti.com</a>
DLP® Products	<a href="http://www.dlp.com">www.dlp.com</a>
DSP	<a href="http://dsp.ti.com">dsp.ti.com</a>
Clocks and Timers	<a href="http://www.ti.com/clocks">www.ti.com/clocks</a>
Interface	<a href="http://interface.ti.com">interface.ti.com</a>
Logic	<a href="http://logic.ti.com">logic.ti.com</a>
Power Mgmt	<a href="http://power.ti.com">power.ti.com</a>
Microcontrollers	<a href="http://microcontroller.ti.com">microcontroller.ti.com</a>
RFID	<a href="http://www.ti-rfid.com">www.ti-rfid.com</a>
OMAP Applications Processors	<a href="http://www.ti.com/omap">www.ti.com/omap</a>
Wireless Connectivity	<a href="http://www.ti.com/wirelessconnectivity">www.ti.com/wirelessconnectivity</a>

### Applications

Automotive and Transportation	<a href="http://www.ti.com/automotive">www.ti.com/automotive</a>
Communications and Telecom	<a href="http://www.ti.com/communications">www.ti.com/communications</a>
Computers and Peripherals	<a href="http://www.ti.com/computers">www.ti.com/computers</a>
Consumer Electronics	<a href="http://www.ti.com/consumer-apps">www.ti.com/consumer-apps</a>
Energy and Lighting	<a href="http://www.ti.com/energy">www.ti.com/energy</a>
Industrial	<a href="http://www.ti.com/industrial">www.ti.com/industrial</a>
Medical	<a href="http://www.ti.com/medical">www.ti.com/medical</a>
Security	<a href="http://www.ti.com/security">www.ti.com/security</a>
Space, Avionics and Defense	<a href="http://www.ti.com/space-avionics-defense">www.ti.com/space-avionics-defense</a>
Video and Imaging	<a href="http://www.ti.com/video">www.ti.com/video</a>

### TI E2E Community

[e2e.ti.com](http://e2e.ti.com)