

## DIGITALLY MANAGED PUSH-PULL ANALOG PWM CONTROLLERS

Check for Samples: [UCD8220-Q1](#)

### FEATURES

- **AEC-Q100 Qualified With the Following Results:**
  - Device Temperature Grade 1: –40°C to 125°C Ambient Operating Temperature Range
  - Device HBM ESD Classification Level H2
  - Device CDM ESD Classification Level C3B
- **For Digitally Managed Power Supplies Using  $\mu$ Cs or the TMS320™ DSP Family**
- **Voltage or Peak Current Mode Control with Cycle-by-Cycle Current Limiting**
- **Clock Input from Digital Controller to Set Operating Frequency and Max Duty Cycle**
- **Analog PWM Comparator**
- **2-MHz Switching Frequency**
- **110-V Input Startup Circuit and Thermal Shutdown (UCD8620)**
- **Internal Programmable Slope Compensation**
- **3.3-V, 10-mA Linear Regulator**
- **DSP/ $\mu$ C Compatible Inputs**
- **Dual  $\pm$ 4-A TrueDrive™ Integrated Circuit High Current Drivers**
- **10-ns Typical Rise and Fall Times with 2.2-nF**
- **25-ns Input-to-Output Propagation Delay**
- **25-ns Current Sense-to-Output Propagation Delay**
- **Programmable Current Limit Threshold**

- **Digital Output Current Limit Flag**
- **4.5-V to 15.5-V Supply Voltage Range**

### APPLICATIONS

- **Digitally Managed Switch Mode Power Supplies**
- **Push-Pull, Half-Bridge, or Full-Bridge Converters**
- **Battery Chargers**

### DESCRIPTION

The UCD8220-Q1 analog pulse-width modulator device is used in digitally managed power supplies using a microcontroller or the TMS320 DSP family.

UCD8220-Q1 is a double-ended PWM controller configured with push-pull drive logic.

Systems using the UCD8220-Q1 device close the PWM feedback loop with traditional analog methods, but the UCD8220-Q1 controller includes circuitry to interpret a time-domain digital pulse train. The pulse train contains the operating frequency and maximum duty cycle limit which are used to control the power supply operation. This eases implementation of a converter with high level control features without the added complexity or possible PWM resolution limitations of closing the control loop in the discrete time domain.



Please be aware that an important notice concerning availability, standard warranty, and use in critical applications of Texas Instruments semiconductor products and disclaimers thereto appears at the end of this data sheet.

TMS320, TrueDrive, PowerPAD are trademarks of Texas Instruments.

PRODUCTION DATA information is current as of publication date. Products conform to specifications per the terms of the Texas Instruments standard warranty. Production processing does not necessarily include testing of all parameters.

Copyright © 2012, Texas Instruments Incorporated

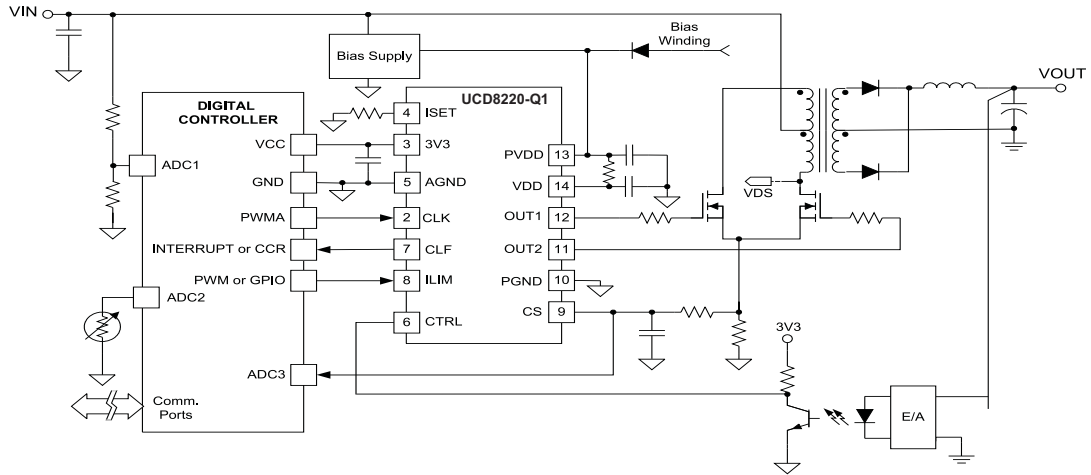


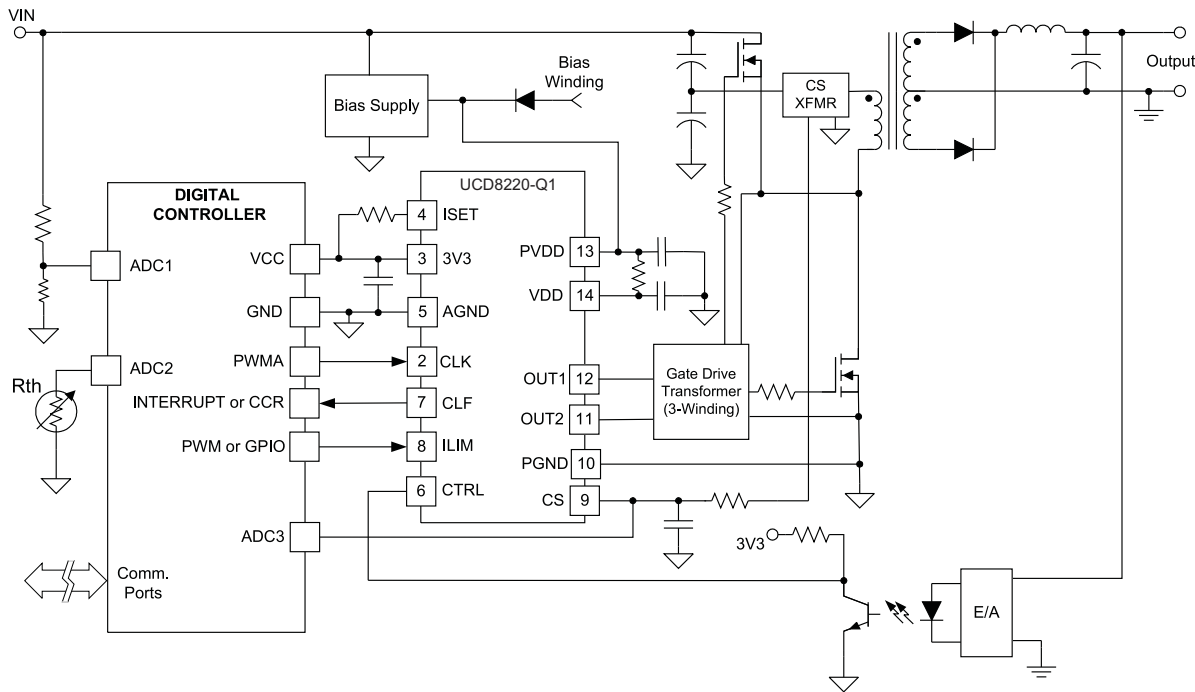
Figure 1. UCD8220-Q1 Typical Simplified Push-Pull Converter Application Schematic

**DESCRIPTION (continued)**

The UCD8220-Q1 can be configured for either peak current mode or voltage mode control. It provides a programmable current limit function and a digital output current limit flag which can be monitored by the host controller to set the current limit operation. For fast switching speeds, the output stage uses the TrueDrive output circuit architecture, which delivers rated current of  $\pm 4\text{-A}$  into the gate of a MOSFET. Finally it also includes a 3.3-V, 10-mA linear regulator to provide power to the digital controller or act as a reference in the system.

The UCD8220-Q1 controller is compatible with the standard 3.3-V I/O ports of UCD9K digital power controllers, DSPs, microcontrollers, or ASICs and is offered in the PowerPAD™ integrated circuit package HTSSOP.

**SIMPLIFIED APPLICATION DIAGRAMS**



**Figure 2. UCD8220-Q1 Typical Simplified Half-Bridge Converter Application Schematic**

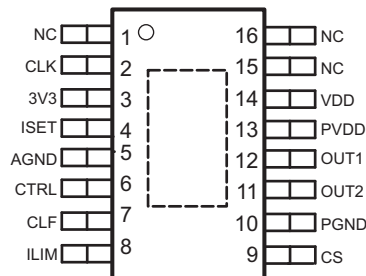


This integrated circuit can be damaged by ESD. Texas Instruments recommends that all integrated circuits be handled with appropriate precautions. Failure to observe proper handling and installation procedures can cause damage.

ESD damage can range from subtle performance degradation to complete device failure. Precision integrated circuits may be more susceptible to damage because very small parametric changes could cause the device not to meet its published specifications.

## CONNECTION DIAGRAMS

HTSSOP PACKAGE (PWP-16)  
UCD8220-Q1 (TOP VIEW)



## ORDERING INFORMATION<sup>(1)</sup>

T <sub>A</sub>	PACKAGE	REEL	ORDERABLE PART NUMBER <sup>(2) (3)</sup>	TOP-SIDE MARKING
–40°C to 125°C	HTSSOP-16 (PWP)	2000	UCD8220QPWPRQ1	UC8220Q

- (1) For the most current package and ordering information, see the Package Option Addendum at the end of this document, or see the device product folder at [www.ti.com](http://www.ti.com).
- (2) The HTSSOP-16 (PWP) package is available taped and reeled. Add R suffix to device type (e.g. UCD8220PWPR) to order quantities of 2,000 devices per reel for the PWP package and 1,000 devices per reel for the RSA and RGW packages.
- (3) These products are packaged in Pb-Free and Green lead finish of Pd-Ni-Au which is compatible with MSL level 1 at 255°C to 260°C peak reflow temperature to be compatible with either lead free or Sn/Pb soldering operations.

## ABSOLUTE MAXIMUM RATINGS<sup>(1) (2)</sup>

PARAMETER		VALUE		UNIT	
		MIN	MAX		
V <sub>DD</sub>	Supply Voltage		16	V	
I <sub>DD</sub>	Supply Current	Quiescent	20	mA	
		Switching, T <sub>A</sub> = 25°C, T <sub>J</sub> = 125°C, V <sub>DD</sub> = 12 V	200		
V <sub>O</sub>	Output Gate Drive Voltage	OUT	–1 to PVDD	V	
I <sub>O(sink)</sub>	Output Gate Drive Current	OUT	4	A	
I <sub>O(source)</sub>			–4		
	Analog Input	ISET, CS, CTRL, ILIM	–0.3	3.6	V
	Digital I/O's	CLK, CLF	–0.3	3.6	
	Continuous Total Power Dissipation	See Thermal Information Table			
T <sub>J</sub>	Operating Junction Temperature Range	–55	150	°C	
T <sub>stg</sub>	Storage Temperature Range	–65	150		
	Electrostatic Discharge (ESD) Rating <sup>(3)</sup>	Human-body model (HBM) AEC-Q100 Classification Level H2	2000	V	
		Charged-device model (CDM) AEC-Q100 Classification Level C3B	500		
	Lead Temperature (Soldering, 10 sec)		300	°C	

- (1) Stresses beyond those listed under *absolute maximum ratings* may cause permanent damage to the device. These are stress ratings only, and functional operation of the device at these or any other conditions beyond those indicated under *recommended operating conditions* is not implied. Exposure to absolute-maximum-rated conditions for extended periods may affect device reliability.
- (2) All voltages are with respect to GND. Currents are positive into, negative out of the specified terminal.
- (3) Tested to JEDEC standard EIA/JESD22 - A114-B.

**THERMAL INFORMATION**

THERMAL METRIC <sup>(1)</sup>		UCD8220-Q1	UNIT
		PWP (16 PINS)	
$\theta_{JA}$	Junction-to-ambient thermal resistance	40.1	°C/W
$\theta_{JcTop}$	Junction-to-case (top) thermal resistance	29.5	
$\theta_{JB}$	Junction-to-board thermal resistance	24.2	
$\psi_{JT}$	Junction-to-top characterization parameter	1	
$\psi_{JB}$	Junction-to-board characterization parameter	24	
$\theta_{JcBot}$	Junction-to-case (bottom) thermal resistance	1.8	

(1) For more information about traditional and new thermal metrics, see the *IC Package Thermal Metrics* application report, [SPRA953](#).

## ELECTRICAL CHARACTERISTICS

$V_{DD} = 12\text{ V}$ , 4.7- $\mu\text{F}$  capacitor from  $V_{DD}$  to AGND, 1  $\mu\text{F}$  from PVDD to PGND, 0.22- $\mu\text{F}$  capacitor from 3V3 to AGND,  $T_A = T_J = -40^\circ\text{C}$  to  $125^\circ\text{C}$ , (unless otherwise noted).

PARAMETER	TEST CONDITIONS	MIN	TYP	MAX	UNIT
<b>SUPPLY SECTION</b>					
Supply current, OFF	$V_{DD} = 4.2\text{ V}$		300	500	$\mu\text{A}$
Supply current, ON	(UCD8220-Q1), outputs not switching, CLK = low	1.6		3	$\text{mA}$
<b>LOW VOLTAGE UNDERVOLTAGE LOCKOUT (UCD8220-Q1 only)</b>					
$V_{DD}$ UVLO ON		4.25	4.5	4.75	V
$V_{DD}$ UVLO OFF		4.05	4.25	4.45	
$V_{DD}$ UVLO hysteresis		150	250	350	mV
<b>REFERENCE / EXTERNAL BIAS SUPPLY</b>					
3V3 initial set point	$T_A = 25^\circ\text{C}$ , $I_{LOAD} = 0$	3.267	3.3	3.333	V
3V3 set point over temperature		3.234	3.3	3.366	
3V3 load regulation	$I_{LOAD} = 1\text{ mA}$ to $10\text{ mA}$ , $V_{DD} = 5\text{ V}$	-	1	6.6	mV
3V3 line regulation	$V_{DD} = 4.75\text{ V}$ to $12\text{ V}$ , $I_{LOAD} = 10\text{ mA}$	-	1	6.6	
Short circuit current	$V_{DD} = 4.75$ to $12\text{ V}$	9	20	35	$\text{mA}$
3V3 OK threshold, ON	3.3 V rising	2.9	3.0	3.1	V
3V3 OK threshold, OFF	3.3 V falling	2.7	2.8	2.9	
<b>CLOCK INPUT (CLK)</b>					
HIGH, positive-going input threshold voltage (VIT+)		1.65	-	2.08	V
LOW negative-going input threshold voltage (VIT-)		1.16	-	1.5	
Input voltage hysteresis, (VIT+–VIT-)		0.6	-	0.8	
Frequency	OUTx = 1 MHz	-	-	2	MHz
Minimum allowable off time <sup>(1)</sup>				20	ns
<b>SLOPE COMPENSATION (ISET)</b>					
ISET Voltage	$V_{ISET}$ , 3V3 = 3.3 V, $\pm 2\%$	1.78	1.84	1.90	V
m, $V_{SLOPE}$ (I-Mode)	$R_{ISET} = 6.19\text{ k}\Omega$ to AGND, CS = 0.25 V, CTRL = 2.5 V	1.48	2.12	2.76	V/ $\mu\text{s}$
	$R_{ISET} = 100\text{ k}\Omega$ to AGND, CS = 0.25 V, CTRL = 2.5 V	0.099	0.142	0.185	
	$R_{ISET} = 499\text{ k}\Omega$ to AGND, CS = 0.25 V, CTRL = 2.5 V	0.019	0.028	0.037	
m, $V_{SLOPE}$ (V-Mode)	$R_{ISET} = 4.99\text{ k}\Omega$ to 3V3, CTRL = 2.5 V	1.44	2.06	2.68	
	$R_{ISET} = 100\text{ k}\Omega$ to 3V3, CTRL = 2.5 V	0.068	0.114	0.148	
	$R_{ISET} = 402\text{ k}\Omega$ to 3v3, CTRL = 2.5 V	0.016	0.027	0.035	
ISET resistor range	Current mode control; $R_{ISET}$ connected to AGND	6.19		499	k $\Omega$
ISET resistor range	Voltage mode control; $R_{ISET}$ connected to 3V3	4.99		402	
ISET current range	Voltage mode control with Feed-Forward; $R_{ISET}$ connected to VIN	3.7		300	$\mu\text{A}$
<b>PWM</b>					
PWM offset at CTRL input	3V3 = 3.3 V $\pm 2\%$	0.45	0.51	0.6	V
CTRL buffer gain <sup>(1)</sup>	Gain from CTRL to PWM comparator input		0.5		V/V
<b>CURRENT LIMIT (ILIM)</b>					
ILIM internal current limit threshold	ILIM = OPEN	0.466	0.5	0.536	V
ILIM maximum current limit threshold	ILIM = 3.3 V	0.975	1.025	1.075	
ILIM current limit threshold	ILIM = 0.75 V	0.700	0.725	0.750	V
ILIM minimum current limit threshold	ILIM = 0.25 V	0.2	0.23	0.25	V
CLF output high level	CS > ILIM, $I_{LOAD} = -7\text{ mA}$	2.64	-	-	V
CLF output low level	CS $\leq$ ILIM, $I_{LOAD} = 7\text{ mA}$	-	-	0.66	

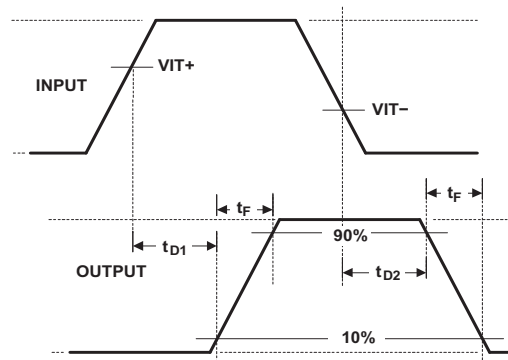
(1) Specified by design. Not 100% tested in production.

**ELECTRICAL CHARACTERISTICS (continued)**

$V_{DD} = 12\text{ V}$ , 4.7- $\mu\text{F}$  capacitor from  $V_{DD}$  to AGND, 1  $\mu\text{F}$  from PVDD to PGND, 0.22- $\mu\text{F}$  capacitor from 3V3 to AGND,  $T_A = T_J = -40^\circ\text{C}$  to  $125^\circ\text{C}$ , (unless otherwise noted).

PARAMETER	TEST CONDITIONS	MIN	TYP	MAX	UNIT
Propagation delay from CLK to CLF	CLK rising to CLF falling after a current limit event	-	15	25	ns
<b>CURRENT SENSE COMPARATOR</b>					
Bias voltage	Includes CS comp offset	5	25	50	mV
Input bias current		-	-1	-	$\mu\text{A}$
Propagation delay from CS to OUTx	ILIM = 0.5 V, measured on OUTx, CS = threshold + 60 mV	-	25	40	ns
Propagation delay from CS to CLF	ILIM = 0.5 V, measured on CLF, CS = threshold + 60 mV	-	25	50	
<b>CURRENT SENSE DISCHARGE TRANSISTOR</b>					
Discharge resistance	CLK = low, resistance from CS to AGND	10	35	75	$\Omega$
<b>OUTPUT DRIVERS</b>					
Source current <sup>(2)</sup>	$V_{DD} = 12\text{ V}$ , CLK = high, OUTx = 5 V	-	4	-	A
Sink current <sup>(2)</sup>	$V_{DD} = 12\text{ V}$ , CLK = low, OUTx = 5 V	-	4	-	
Source current <sup>(2)</sup>	$V_{DD} = 4.75\text{ V}$ , CLK = high, OUTx = 0	-	2	-	
Sink current <sup>(2)</sup>	$V_{DD} = 4.75\text{ V}$ , CLK = low, OUTx = 4.75 V	-	3	-	
Rise time, $t_R$	$C_{LOAD} = 2.2\text{ nF}$ , $V_{DD} = 12\text{ V}$	-	10	20	ns
Fall time, $t_F$	$C_{LOAD} = 2.2\text{ nF}$ , $V_{DD} = 12\text{ V}$	-	10	15	
Output with $V_{DD} < UVLO$	$V_{DD} = 1.0\text{ V}$ , $I_{SINK} = 10\text{ mA}$	-	0.8	1.2	V
Propagation delay from CLK to OUTx	$C_{LOAD} = \text{open}$ , $V_{DD} = 12\text{ V}$ , CLK rising, $t_{D1}$	-	25	35	ns
	$C_{LOAD} = \text{open}$ , $V_{DD} = 12\text{ V}$ , CLK falling, $t_{D2}$		25	35	

(2) Specified by design. Not 100% tested in production.



**Figure 3. Timing Diagram**

## FUNCTIONAL BLOCK DIAGRAMS

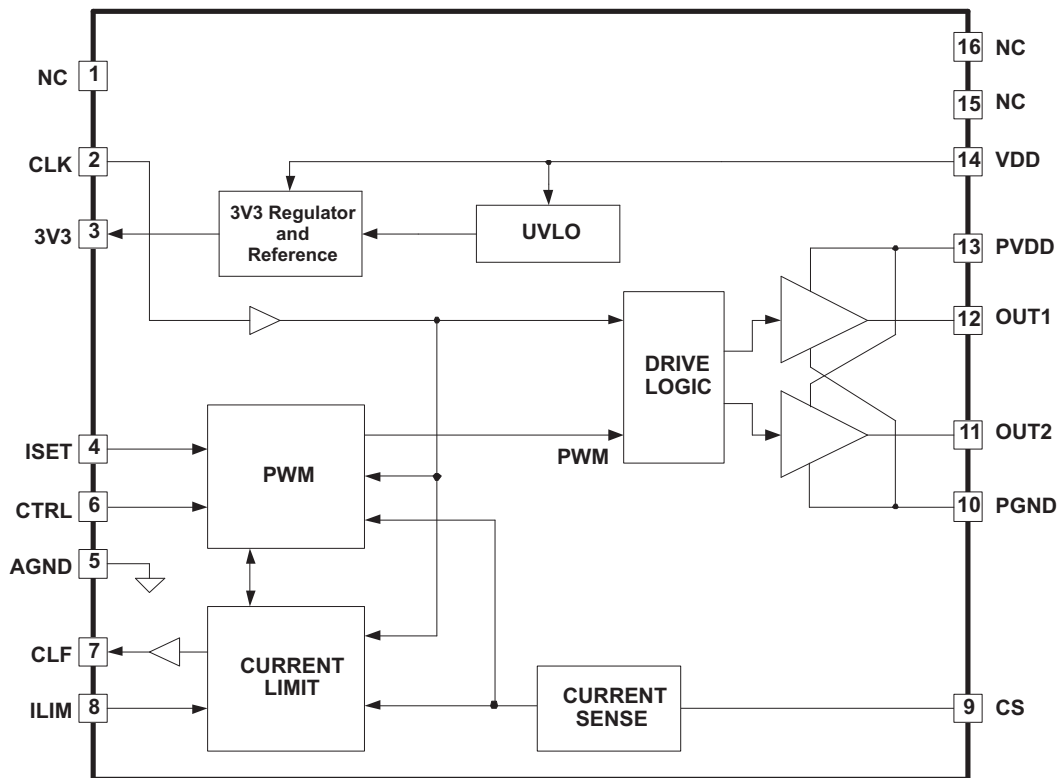


Figure 4. UCD8220-Q1

## TERMINAL FUNCTIONS

PIN NAME	PIN NUMBER	I/O	FUNCTION
	UCD8220-Q1 HTSSOP-16 (PWP)		
CLK	2	I	Clock. Input pulse train contains operating frequency and maximum duty cycle limit. This pin is a high impedance digital input capable of accepting 3.3-V logic level signals up to 2 MHz. There is an internal Schmitt trigger comparator which isolates the internal circuitry from any external noise.
CLF	7	O	Current limit flag. When the CS level is greater than the ILIM voltage minus 25 mV, the output driver is forced low and the current limit flag (CLF) is set high. The CLF signal is latched high until the device receives the next rising edge on the CLK pin. This signal is also used for the start-up handshaking between the Digital controller and the analog controller
ISET	4	I	Pin for programming the current used to set the amount of slope compensation in Peak-Current Mode control or to set the internal capacitor charging in voltage mode control.
3V3	3	O	Regulated 3.3-V rail. The onboard linear voltage regulator is capable of sourcing up to 10 mA of current. Place 0.22 $\mu$ F of ceramic capacitance from this pin to analog ground.
AGND	5	-	Analog ground return
ILIM	8	I	Current limit threshold set pin. The current limit threshold can be set to any value between 0.25 V and 1.0 V. The default value while open is 0.5 V.
CTRL	6	I	Input for the error feedback voltage from the external error amplifier. This input is multiplied by 0.5 and routed to the negative input of the PWM comparator
NC	1, 15, 16	-	No connection.
CS	9	I	Current sense pin. Fast current limit comparator connected to the CS pin is used to protect the power stage by implementing cycle-by-cycle current limiting.
PGND	10	-	Power ground return. This pin should be connected close to the source of the power MOSFET.
OUT2	11	O	The high-current TrueDrive integrated circuit driver output.
OUT1	12	O	The high-current TrueDrive integrated circuit driver output.



PIN NAME	PIN NUMBER	I/O	FUNCTION
	UCD8220-Q1 HTSSOP-16 (PWP)		
PVDD	13		Supply pin provides power for the output drivers. It is not connected internally to the VDD supply rail. The bypass capacitor for this pin should be returned to PGND.
VDD	14	I	Supply input pin to power the control circuitry. Bypass the pin with at least 4.7 $\mu$ F of capacitance, returned to AGND.
VIN	-	I	Input to the internal start-up circuitry rated to 110 V. This pin connects directly to the input power rail.

TYPICAL CHARACTERISTICS

UCD8220-Q1  
UVLO THRESHOLD  
vs  
TEMPERATURE

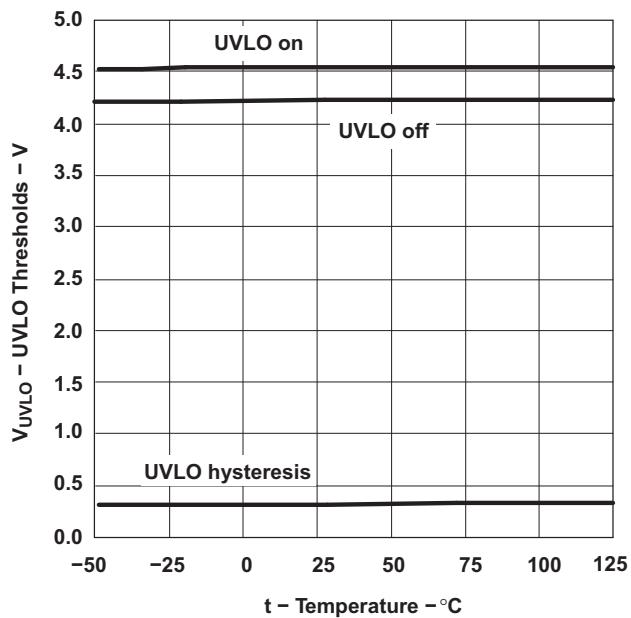


Figure 5.

3V3 REFERENCE VOLTAGE  
vs  
TEMPERATURE

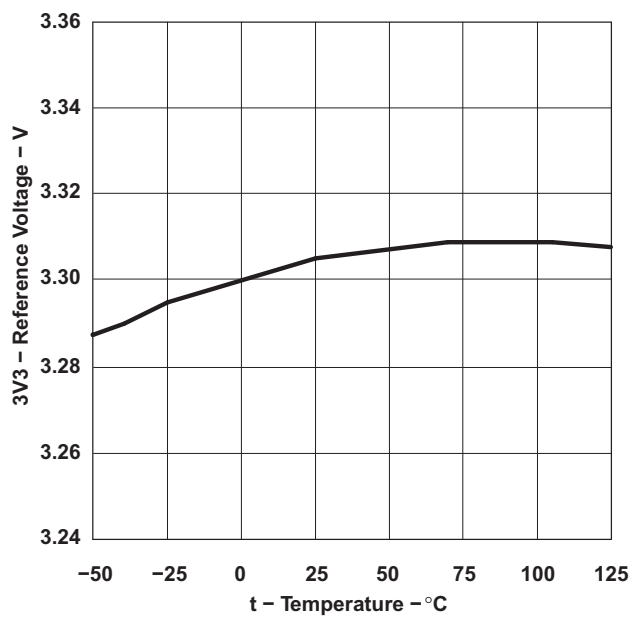


Figure 6.

**TYPICAL CHARACTERISTICS (continued)**

**3V3 SHORT-CIRCUIT CURRENT  
vs  
TEMPERATURE**

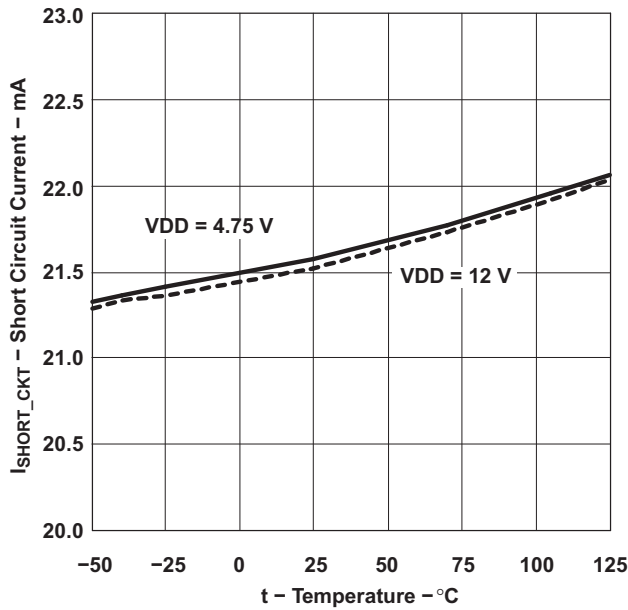


Figure 7.

**SUPPLY CURRENT  
vs  
FREQUENCY ( $V_{DD} = 5\text{ V}$ )**

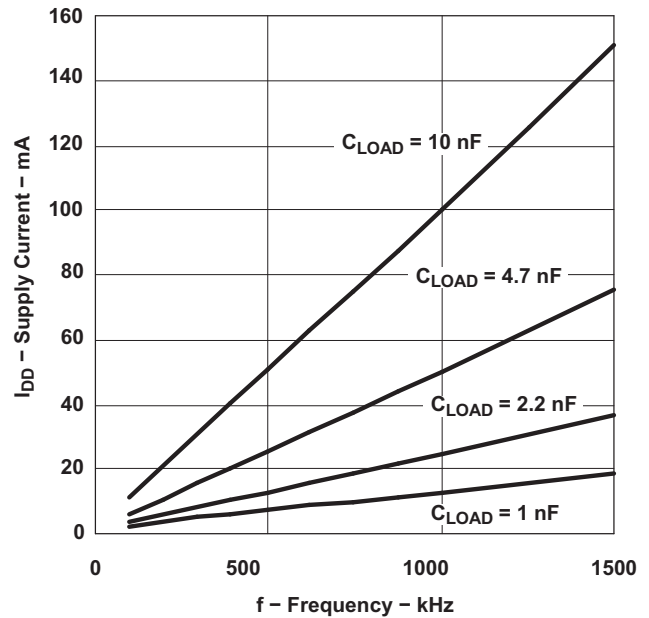


Figure 8.

**SUPPLY CURRENT  
vs  
FREQUENCY ( $V_{DD} = 8\text{ V}$ )**

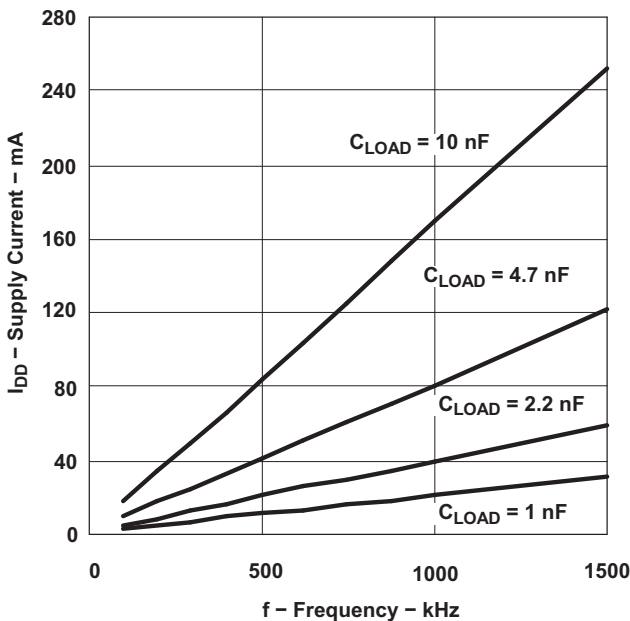


Figure 9.

**SUPPLY CURRENT  
vs  
FREQUENCY ( $V_{DD} = 10\text{ V}$ )**

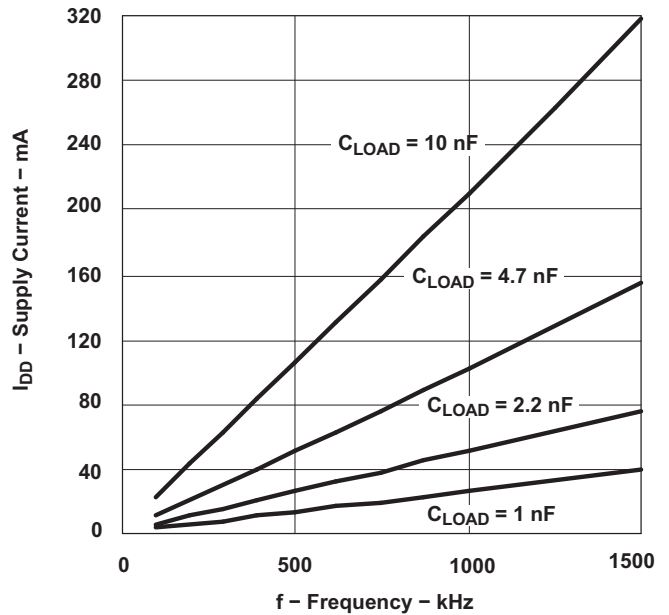


Figure 10.

TYPICAL CHARACTERISTICS (continued)

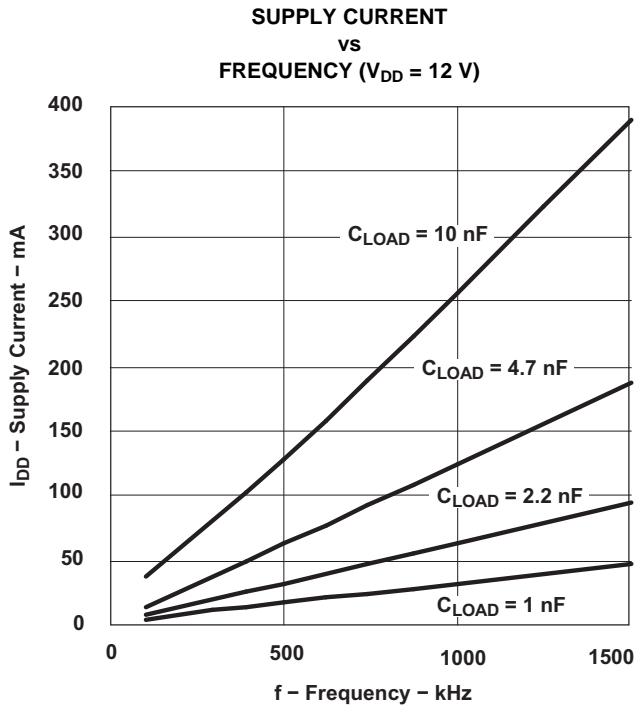


Figure 11.

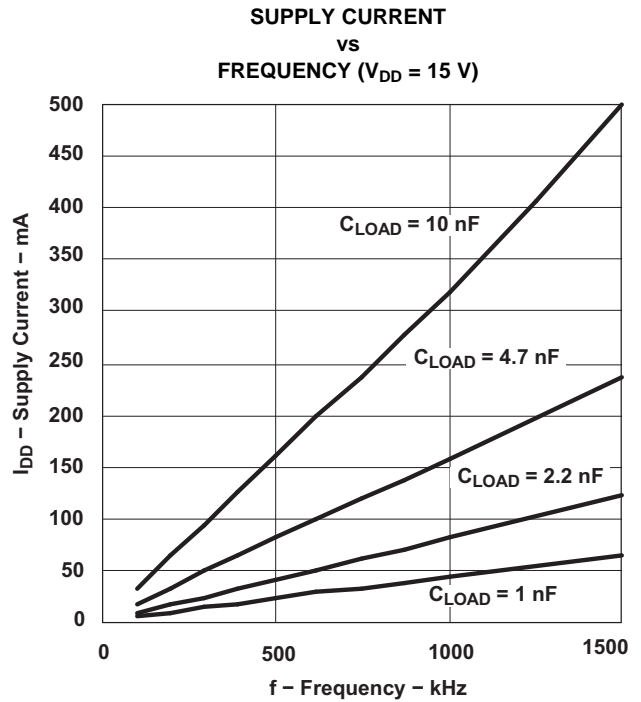


Figure 12.

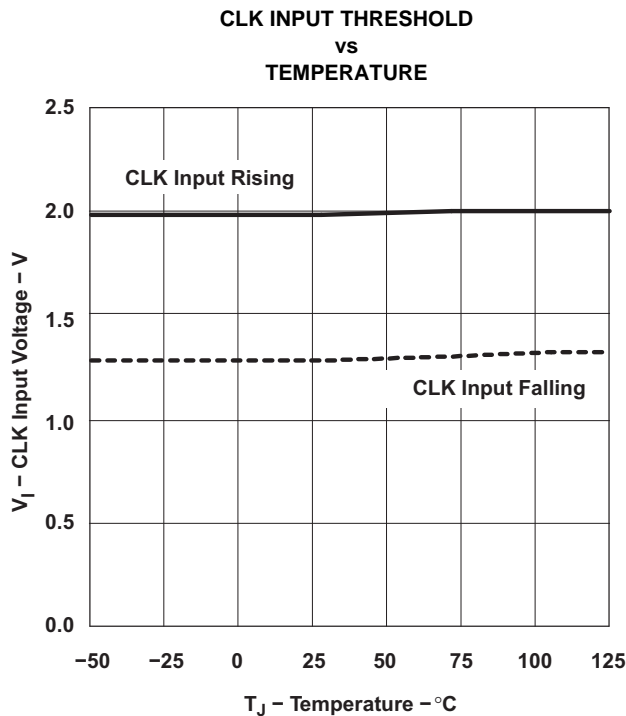


Figure 13.

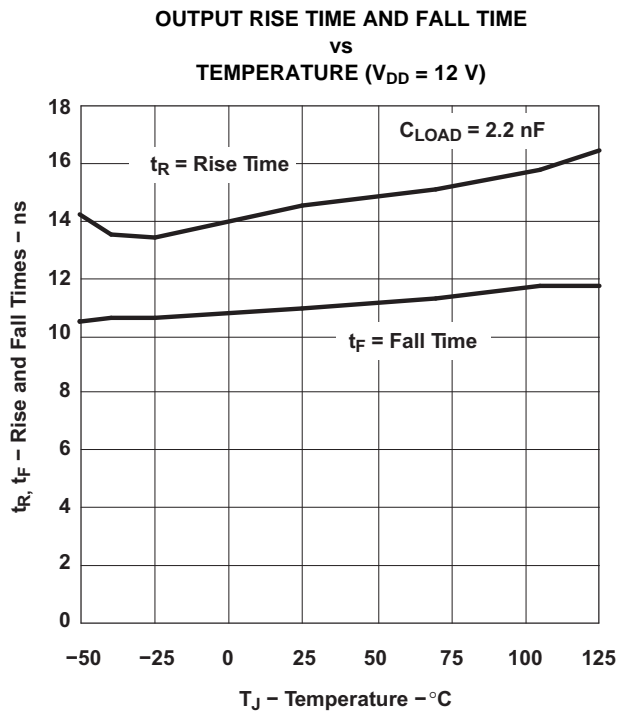


Figure 14.

### TYPICAL CHARACTERISTICS (continued)

**OUTPUT RISE TIME  
vs  
SUPPLY VOLTAGE**

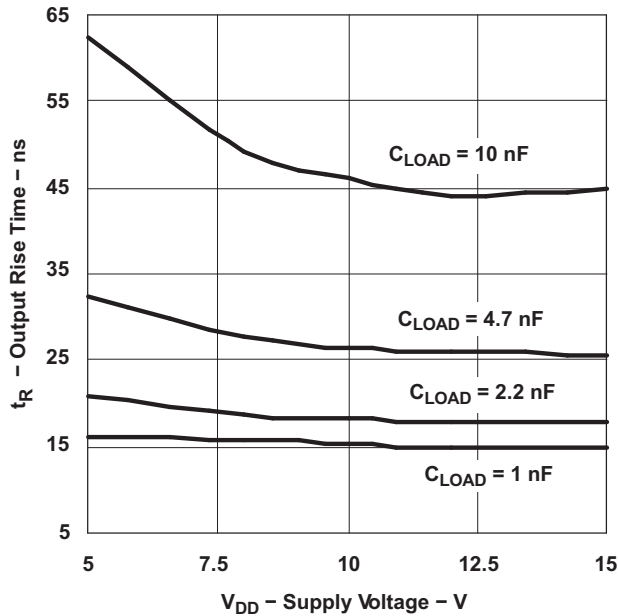


Figure 15.

**OUTPUT FALL TIME  
vs  
SUPPLY VOLTAGE**

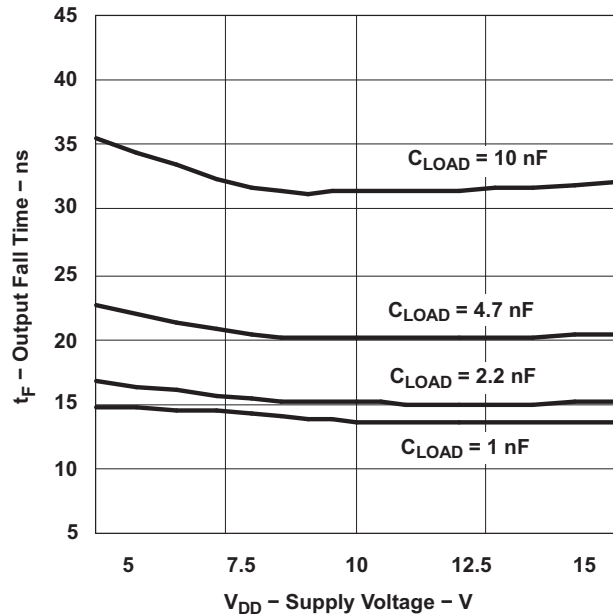


Figure 16.

**CLK to OUTx PROPAGATION DELAY RISING  
vs  
SUPPLY VOLTAGE**

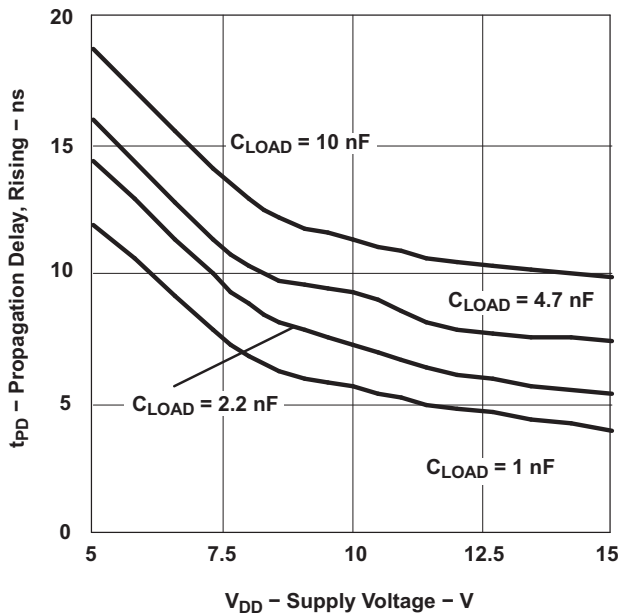


Figure 17.

**CLK TO OUTx PROPAGATION DELAY FALLING  
vs  
SUPPLY CURRENT**

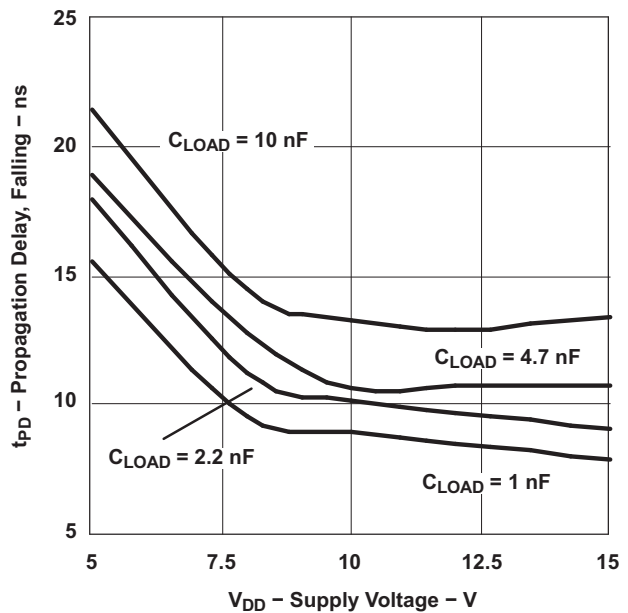


Figure 18.

TYPICAL CHARACTERISTICS (continued)

DEFAULT CURRENT LIMIT THRESHOLD  
vs  
TEMPERATURE

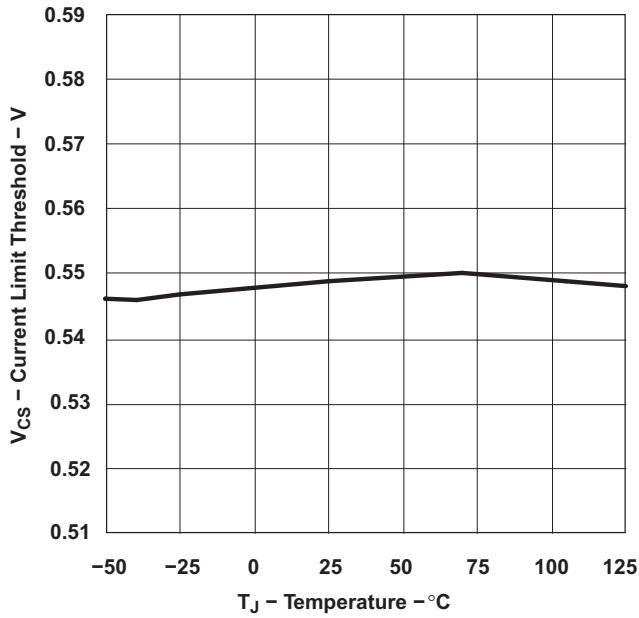


Figure 19.

CS TO OUTx PROPAGATION DELAY  
vs  
TEMPERATURE

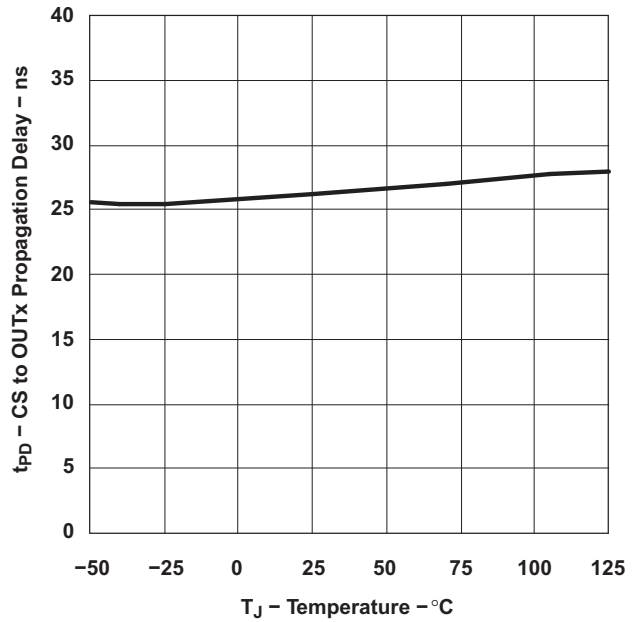


Figure 20.

CS TO CLF PROPAGATION DELAY  
vs  
TEMPERATURE

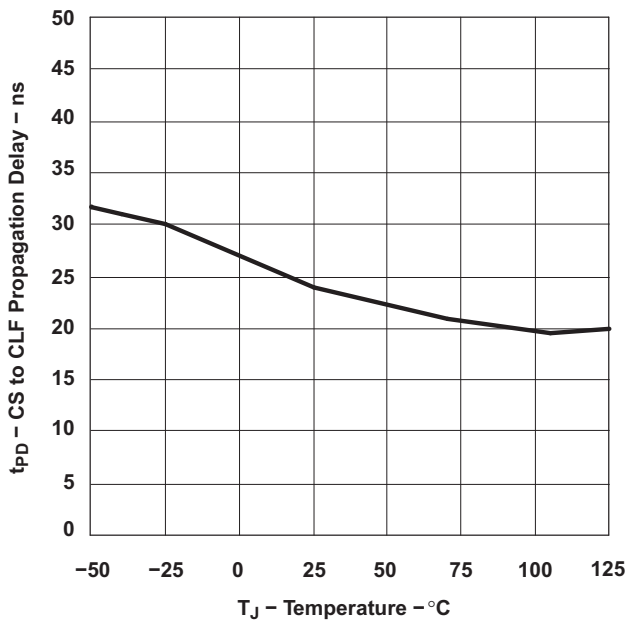


Figure 21.

CLK TO OUT PROPAGATION DELAY  
vs  
TEMPERATURE

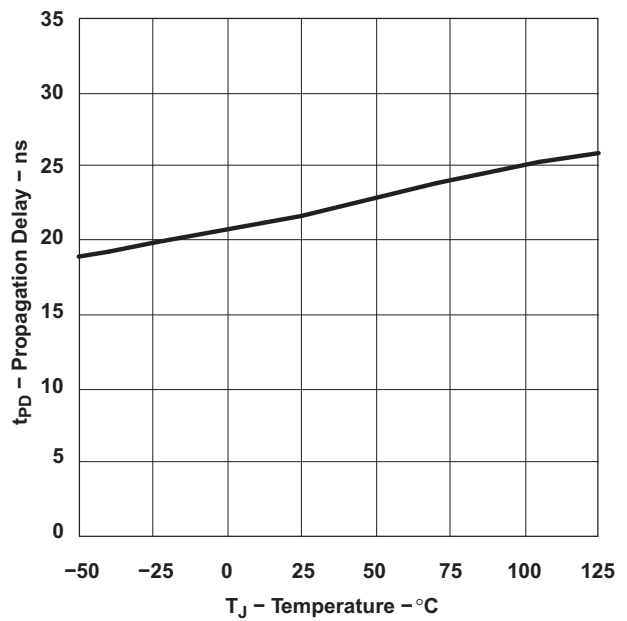


Figure 22.

**TYPICAL CHARACTERISTICS (continued)**

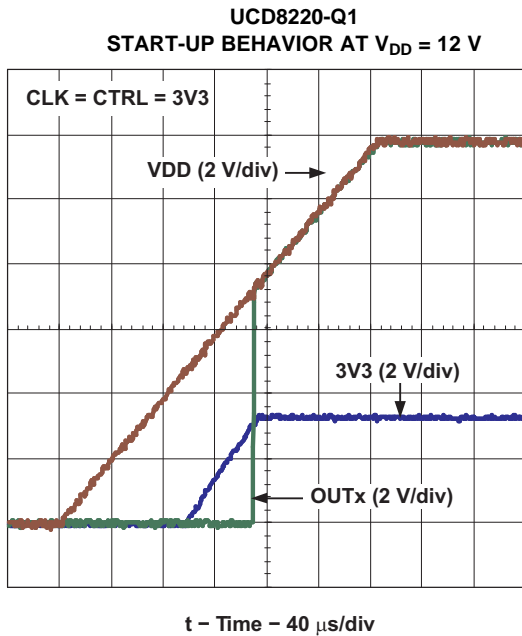


Figure 23.

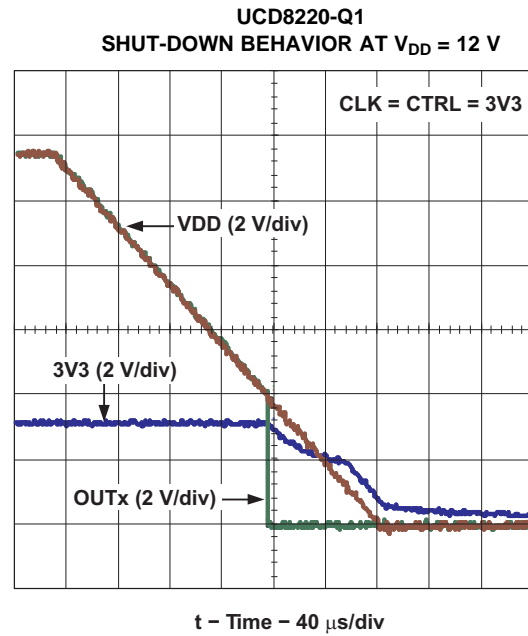


Figure 24.

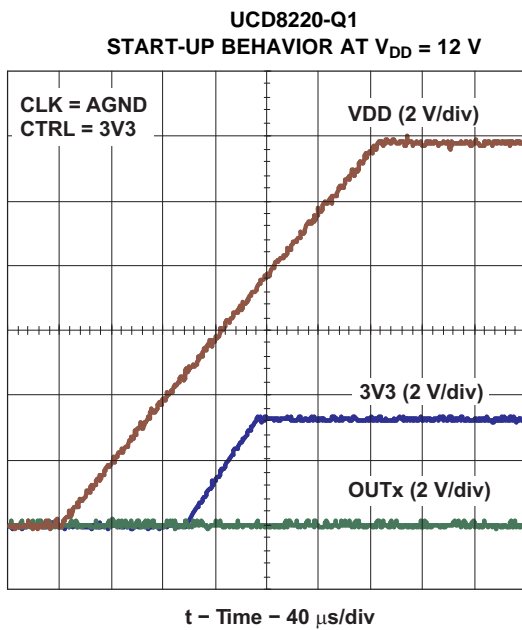


Figure 25.

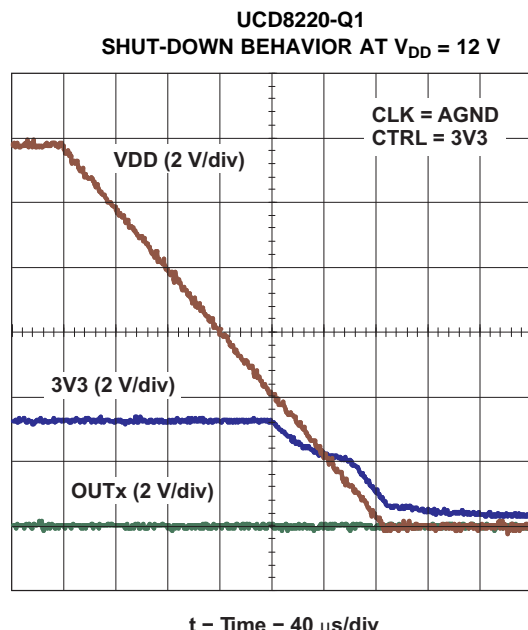


Figure 26.

TYPICAL CHARACTERISTICS (continued)

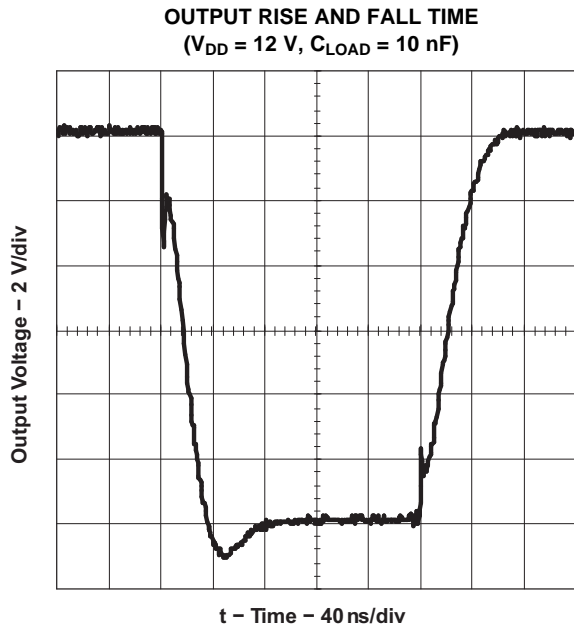


Figure 27.

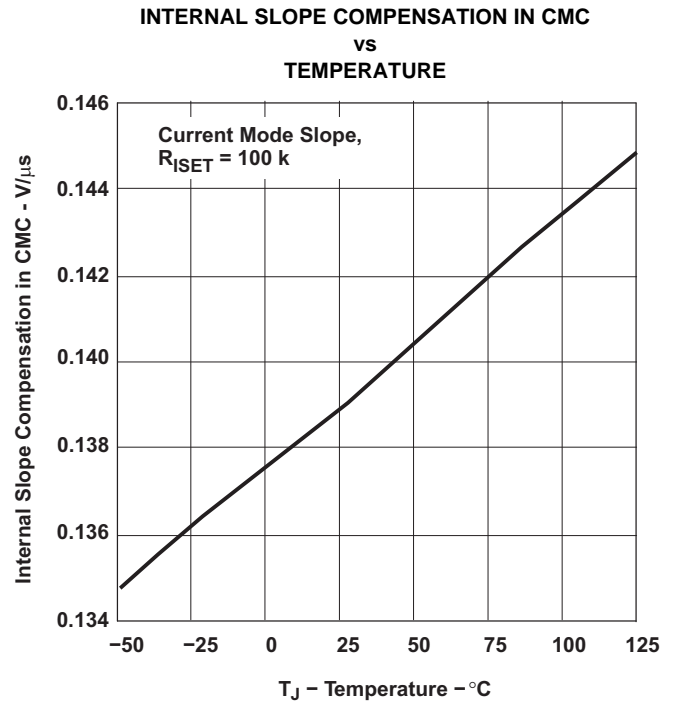


Figure 28.

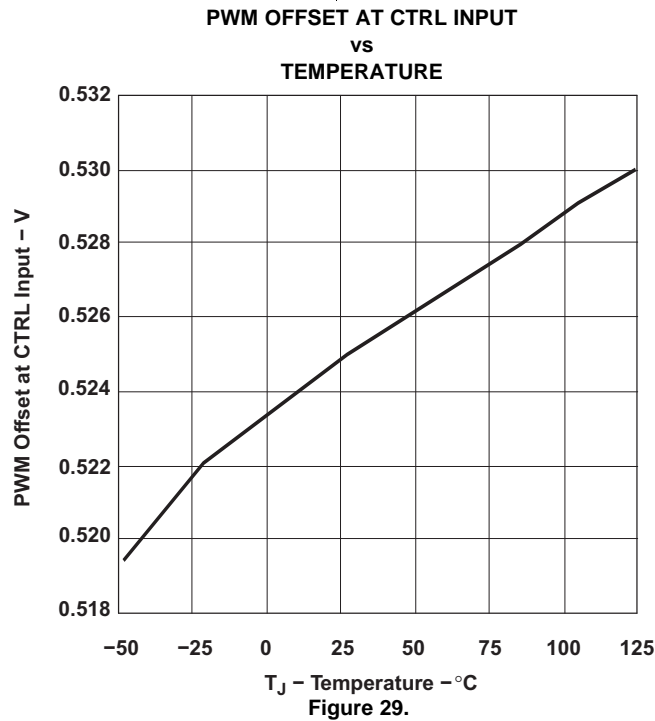


Figure 29.

## APPLICATION INFORMATION

### Introduction

The UCD8220-Q1 is a digitally managed analog PWM controller configured with push-pull drive logic.

In systems using the UCD8220-Q1 device, the PWM feedback loop is closed using the traditional analog methods, but the UCD8220-Q1 includes circuitry to interpret a time-domain digital pulse train from a digital controller. The pulse train contains the operating frequency and maximum duty cycle limit and hence controls the power supply operation. This eases implementing a converter with high-level control features without the added complexity or digital PWM resolution limitations encountered when closing the voltage control loop in the discrete time domain.

The UCD8220-Q1 can be configured for either peak current mode or voltage mode control. It provides a programmable current limit function and a digital output current limit flag which can be monitored by the host controller. For fast switching speeds, the output stages use the TrueDrive output circuit architecture, which delivers rated current of  $\pm 4$ -A into the gate of a MOSFET during the Miller plateau region of the switching transition. Finally they also include a 3.3-V, 10-mA linear regulator to provide power for the digital controller.

The UCD8220-Q1 includes circuitry and features to ease implementing a converter that is managed by a microcontroller or a digital signal processor. Digitally managed power supplies provide software programmability and monitoring capability of a power supply's operation including:

- Switching frequency
- Synchronization
- $D_{MAX}$
- $V \times S$  clamp
- Input UVLO start/stop voltage
- Input OVP start/stop voltage
- Soft-start profile
- Current limit operation
- Shutdown
- Temperature shutdown

### CLK Input Time-Domain Digital Pulse Train

While the loop is closed in the analog domain, the UCD8220-Q1 is managed by a time-domain digital pulse train from a digital controller. The pulse train, shown as CLK in [Figure 30](#), contains the operating frequency and maximum duty cycle limit and hence controls the power supply operation as listed above.

The pulse train uses a Texas Instruments communication protocol which is a proprietary communication system that provides handles for control of the power supply operation through software programming. The rising edge of the CLK signal represents the switching frequency. [Figure 30](#) depicts the operation of the UCD8220-Q1 in one of 5 modes. At the time when the internal signal *REF OK* is low, the UCD8220-Q1 is not ready to accept CLK inputs. Once the *REF OK* signal goes high, then the device is ready to process inputs. While the CLK input is low, the outputs are disabled and the CLK signal is used as an enable input. Once the Digital controller completes its initialization routine and verifies that all voltages are within their operating range, then it starts the soft-start procedure by slowly ramping up the duty cycle of the CLK signal, while maintaining the desired switching frequency. The CLK duty cycle continues to increase until it reaches steady-state where the analog control loop takes over and regulates the output voltage to the desired set point. During steady state, the duty cycle of the CLK pulse can be set using a volt second product calculation in order to protect the primary of the power transformer from saturation during transients.

When the power supply enters current limit, the outputs are quickly turned off, and the CLF signal is set high in order to notify the digital controller that the last power pulse was truncated because of an overcurrent event. The benefit of this technique is in the flexibility it offers.

The software is now in charge of the response to overcurrent events. In typical analog designs, the power supply response to overcurrent is hardwired in the silicon. With this method, the user can configure the response differently for different applications. For example, the software can be configured to latch-off the power supply in response the first overcurrent event, or to allow a fixed number of current limit events, so that the supply is capable of starting up into a capacitive load. The user can also configure the supply to enter into *hiccup* mode immediately or after a certain number of current limit events. As described later in this data sheet, the current limit threshold can be varied in time to create unique current limit profiles. For example, the current limit set point can be set high for a predefined number of cycles to blow a manual fuse, and can be reduced down to protect the system in the event of a faulty fuse.



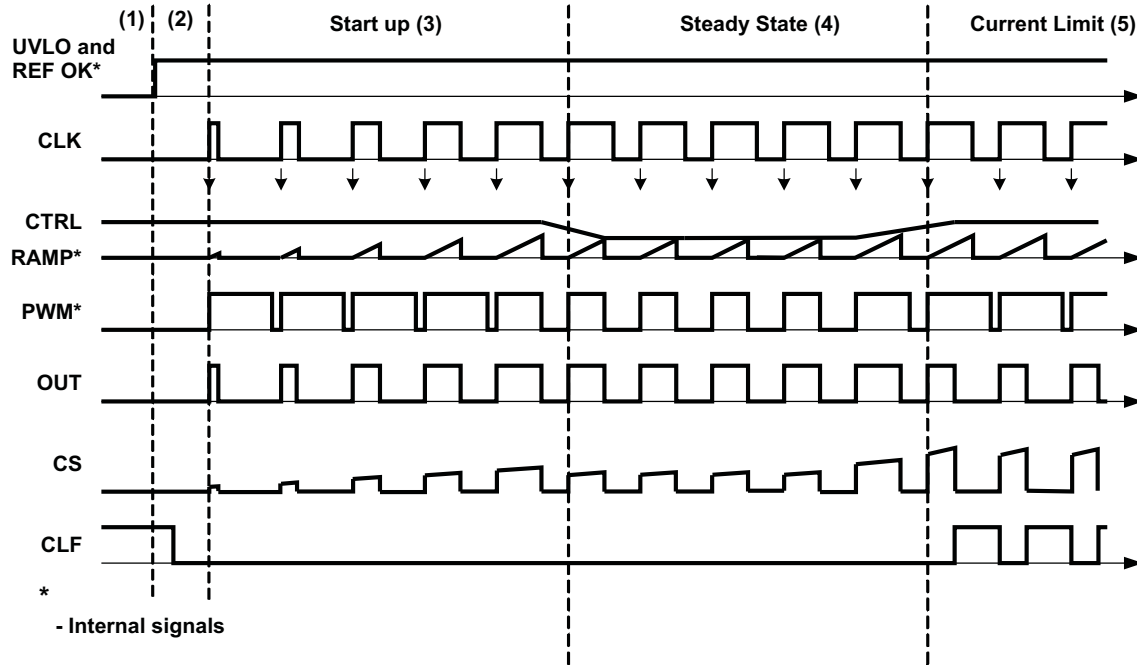
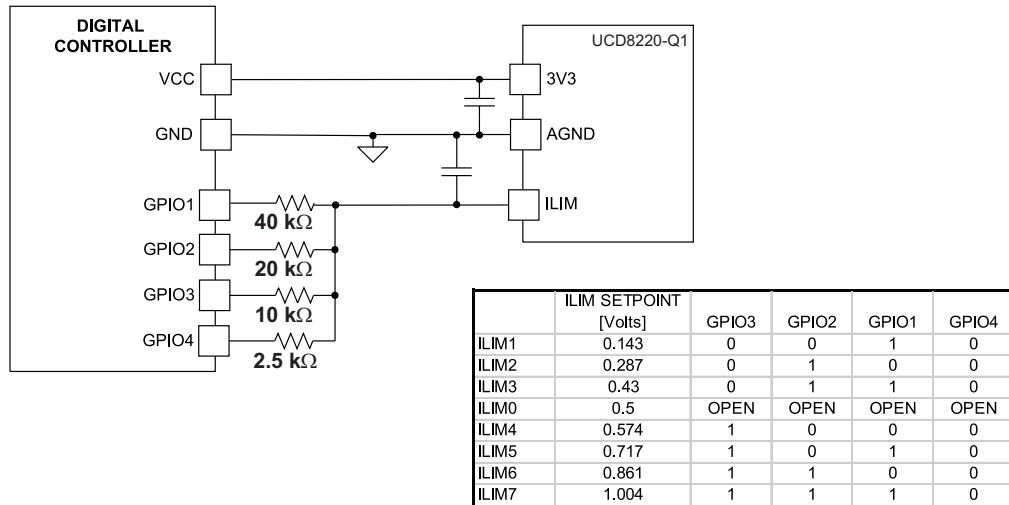


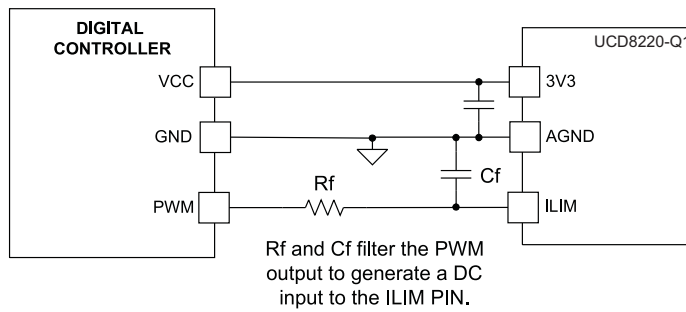
Figure 30. UCD8220-Q1 Timing and Circuit Operation Diagram

**Current Sensing and Protection**

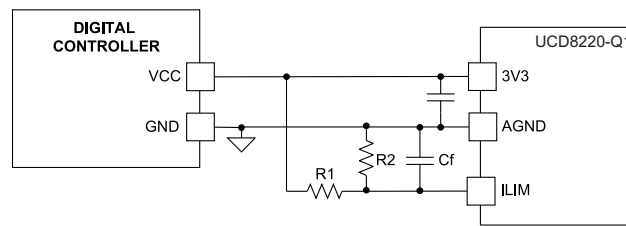
a) GPIO outputs



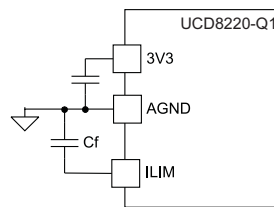
b) PWM output



c) Resistor divider

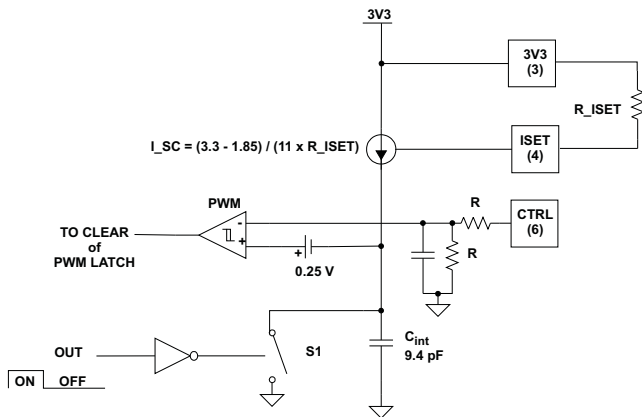


d) Internal set point



**Figure 31. ILIM Settings**

**Selecting the ISET Resistor for Voltage Mode Control**



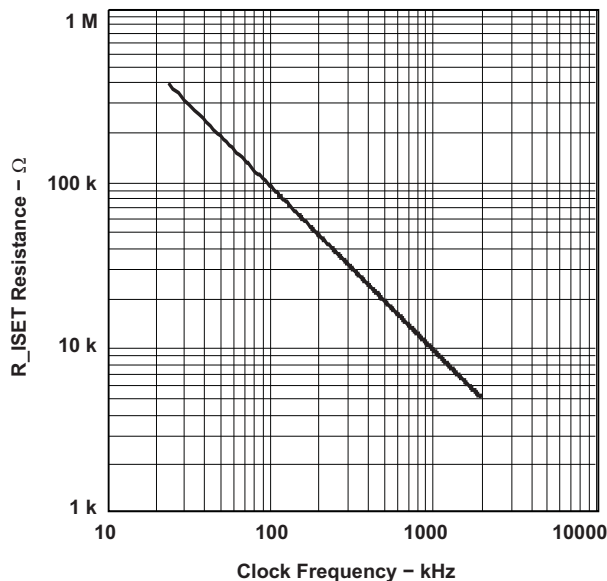
**Figure 32. UCD8220-Q1 Configured in Voltage Mode Control with an Internal Timing Capacitor**

When the ISET resistor is configured as shown in Figure 32 with the ISET resistor connected between the ISET pin and the 3V3 pin, the device is set up for voltage mode control. For purposes of voltage loop compensation the, voltage ramp is 1.4 V from the valley to the peak. See Equation 1 for selecting the proper resistance for a desired clock frequency.

$$R_{ISET} = \frac{(3.3 - 1.85) \times 10^{12}}{11 \times 1.4 \times f_{clk} \times 9.4} \Omega \quad (1)$$

Where:

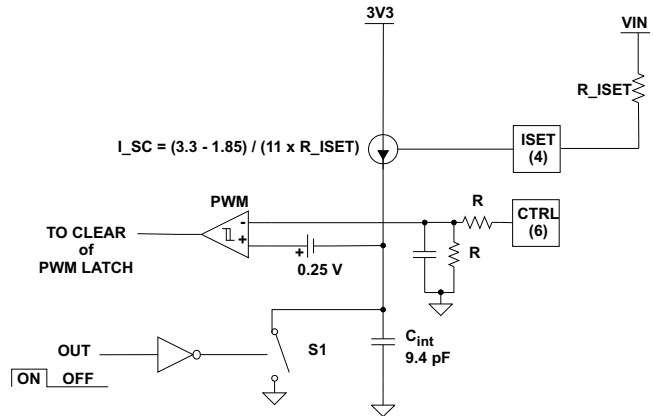
fclk = Desired Clock Frequency in Hz.



**Figure 33. ISET Resistance Versus Clock Frequency**

Figure 33 shows the nominal value of resistance to use for a desired clock frequency. Note that for the UCD8220-Q1, which has two outputs controlled by push-pull logic, the output ripple frequency is equal to the clock frequency; and each output switches at half the clock frequency.

**Selecting the ISET Resistor for Voltage Mode Control with Voltage Feed Forward**



**Figure 34. UCD8220-Q1 Configured in Voltage Mode Control with Voltage Feed Forward**

When the ISET resistor is configured as shown in Figure 34 with the ISET resistor connected between the ISET pin and the input voltage, VIN, the device is configured for voltage mode control with voltage feed forward. For the purposes of voltage loop compensation, the voltage ramp is 1.4 x Vin/Vin\_max volts from the valley to the peak. See Equation 2 for selecting the proper resistance for a desired clock frequency and input voltage range.

$$R_{ISET} = \frac{(V_{in\_max} - 1.85) \times 10^{12}}{11 \times 1.4 \times f_{clk} \times 9.4} \Omega \quad (2)$$

Where:

fclk = Desired Clock Frequency in Hz.

For a general discussion of the benefits of voltage mode control with voltage feed forward, see Reference [5].

**Selecting the ISET Resistor for Peak Current**



### Drive Current and Power Requirements

The UCD8220-Q1 contains drivers which can deliver high current into a MOSFET gate for a period of several hundred nanoseconds. High-peak current is required to turn on a MOSFET. Then, to turn off a MOSFET, the driver is required to sink a similar amount of current to ground. This repeats at the operating frequency of the power device.

Reference [2] discusses the current required to drive a power MOSFET and other capacitive-input switching devices.

When a driver device is tested with a discrete, capacitive load it is a fairly simple matter to calculate the power that is required from the bias supply. The energy that must be transferred from the bias supply to charge the capacitor is given by:

$$E = \frac{1}{2} \times CV^2 \quad (4)$$

where C is the load capacitor and V is the bias voltage feeding the driver.

There is an equal amount of energy transferred to ground when the capacitor is discharged. This leads to a power loss given by the following:

$$P = CV^2 \times f \quad (5)$$

where f is the switching frequency.

This power is dissipated in the resistive elements of the circuit. Thus, with no external resistor between the driver and gate, this power is dissipated inside the driver. Half of the total power is dissipated when the capacitor is charged, and the other half is dissipated when the capacitor is discharged.

With  $V_{DD} = 12\text{ V}$ ,  $C_{LOAD} = 2.2\text{ nF}$ , and  $f = 300\text{ kHz}$ , the power loss can be calculated as:

$$P = 2.2\text{ nF} \times 12^2 \times 300\text{ kHz} = 0.095\text{ W} \quad (6)$$

With a 12-V supply, this would equate to a current of:

$$I = \frac{P}{V} = \frac{0.095\text{ W}}{12\text{ V}} = 7.9\text{ mA} \quad (7)$$

### Thermal Information

The useful range of a driver is greatly affected by the drive power requirements of the load and the thermal characteristics of the device package. In order for a power driver to be useful over a particular temperature range the package must allow for the efficient removal of the heat produced while keeping the junction temperature within rated limits. The UCD8220-Q1 is available in PowerPAD integrated circuit packages TSSOP and QFN/DFN to cover a range of application requirements. Both have an exposed pad to enhance thermal conductivity from the semiconductor junction.

As illustrated in Reference [3], the PowerPAD integrated circuit packages offer a leadframe die pad that is exposed at the base of the package. This pad is soldered to the copper on the PC board (PCB) directly underneath the device package, reducing the  $\theta_{JA}$  down to  $37.47^\circ\text{C/W}$ . The PC board must be designed with thermal lands and thermal vias to complete the heat removal subsystem, as summarized in Reference [4].

Note that the PowerPAD integrated circuit package is not directly connected to any leads of the package. However, it is electrically and thermally connected to the substrate which is the ground of the device. The PowerPAD integrated circuit package should be connected to the quiet ground of the circuit.

### Circuit Layout Recommendations

In a MOSFET driver operating at high frequency, it is critical to minimize stray inductance to minimize overshoot/undershoot and ringing. The low output impedance of the drivers produces waveforms with high di/dt. This tends to induce ringing in the parasitic inductances. It is advantageous to connect the driver device close to the MOSFETs. It is recommended that the PGND and the AGND pins be connected to the PowerPAD integrated circuit package with a thin trace. It is critical to ensure that the voltage potential between these two pins does not exceed 0.3 V. The use of schottky diodes on the outputs to PGND and PVDD is recommended when driving gate transformers. See Reference 4 for a description of proper pad layout for the PowerPAD integrated circuit package.

## REFERENCES

1. Power Supply Seminar SEM-1600 Topic 6: A Practical Introduction to Digital Power Supply Control, by Laszlo Balogh, Texas Instruments Literature No. SLUP224
2. Power Supply Seminar SEM-1400 Topic 2: Design And Application Guide For High Speed MOSFET Gate Drive Circuits, by Laszlo Balogh, Texas Instruments Literature No. SLUP133.
3. Technical Brief, PowerPAD Thermally Enhanced Package, Texas Instruments Literature No. SLMA002
4. Application Brief, PowerPAD Made Easy, Texas Instruments Literature No. SLMA004
5. Power Supply Seminar SEM-300 Topic 2, "Closing the Feedback Loop", by Lloyd Dixon Jr., Texas Instruments, (Literature Number SLUP068)
6. Application Note, "Practical Considerations in Current Mode Power Supplies", Texas Instruments Literature Number SLUA110.
7. U-97, Application Note, Modelling, Analysis and Compensation of the Current-Mode Converter, Texas Instruments Literature Number SLUA101.

## RELATED PRODUCTS

PRODUCT	DESCRIPTION	FEATURES
UCD9501	Digital Power Controller for High Performance Multi-loop Applications	
MSP430F1232	Microcontroller	

---

## REVISION HISTORY

Changes from Original (June 2012) to Revision A	Page
• Device went from preview to production .....	1

---

**PACKAGING INFORMATION**

Orderable Device	Status <sup>(1)</sup>	Package Type	Package Drawing	Pins	Package Qty	Eco Plan <sup>(2)</sup>	Lead/ Ball Finish	MSL Peak Temp <sup>(3)</sup>	Samples (Requires Login)
UCD8220QPWRQ1	ACTIVE	HTSSOP	PWP	16	2000	Green (RoHS & no Sb/Br)	CU NIPDAU	Level-3-260C-168 HR	

<sup>(1)</sup> The marketing status values are defined as follows:

**ACTIVE:** Product device recommended for new designs.

**LIFEBUY:** TI has announced that the device will be discontinued, and a lifetime-buy period is in effect.

**NRND:** Not recommended for new designs. Device is in production to support existing customers, but TI does not recommend using this part in a new design.

**PREVIEW:** Device has been announced but is not in production. Samples may or may not be available.

**OBSOLETE:** TI has discontinued the production of the device.

<sup>(2)</sup> Eco Plan - The planned eco-friendly classification: Pb-Free (RoHS), Pb-Free (RoHS Exempt), or Green (RoHS & no Sb/Br) - please check <http://www.ti.com/productcontent> for the latest availability information and additional product content details.

**TBD:** The Pb-Free/Green conversion plan has not been defined.

**Pb-Free (RoHS):** TI's terms "Lead-Free" or "Pb-Free" mean semiconductor products that are compatible with the current RoHS requirements for all 6 substances, including the requirement that lead not exceed 0.1% by weight in homogeneous materials. Where designed to be soldered at high temperatures, TI Pb-Free products are suitable for use in specified lead-free processes.

**Pb-Free (RoHS Exempt):** This component has a RoHS exemption for either 1) lead-based flip-chip solder bumps used between the die and package, or 2) lead-based die adhesive used between the die and leadframe. The component is otherwise considered Pb-Free (RoHS compatible) as defined above.

**Green (RoHS & no Sb/Br):** TI defines "Green" to mean Pb-Free (RoHS compatible), and free of Bromine (Br) and Antimony (Sb) based flame retardants (Br or Sb do not exceed 0.1% by weight in homogeneous material)

<sup>(3)</sup> MSL, Peak Temp. -- The Moisture Sensitivity Level rating according to the JEDEC industry standard classifications, and peak solder temperature.

**Important Information and Disclaimer:** The information provided on this page represents TI's knowledge and belief as of the date that it is provided. TI bases its knowledge and belief on information provided by third parties, and makes no representation or warranty as to the accuracy of such information. Efforts are underway to better integrate information from third parties. TI has taken and continues to take reasonable steps to provide representative and accurate information but may not have conducted destructive testing or chemical analysis on incoming materials and chemicals. TI and TI suppliers consider certain information to be proprietary, and thus CAS numbers and other limited information may not be available for release.

In no event shall TI's liability arising out of such information exceed the total purchase price of the TI part(s) at issue in this document sold by TI to Customer on an annual basis.

**OTHER QUALIFIED VERSIONS OF UCD8220-Q1 :**

- Catalog: [UCD8220](#)

NOTE: Qualified Version Definitions:

- Catalog - TI's standard catalog product



**TAPE AND REEL INFORMATION**
**REEL DIMENSIONS**

**TAPE DIMENSIONS**


A0	Dimension designed to accommodate the component width
B0	Dimension designed to accommodate the component length
K0	Dimension designed to accommodate the component thickness
W	Overall width of the carrier tape
P1	Pitch between successive cavity centers

**TAPE AND REEL INFORMATION**

\*All dimensions are nominal

Device	Package Type	Package Drawing	Pins	SPQ	Reel Diameter (mm)	Reel Width W1 (mm)	A0 (mm)	B0 (mm)	K0 (mm)	P1 (mm)	W (mm)	Pin1 Quadrant
UCD8220QPWPRQ1	HTSSOP	PWP	16	2000	330.0	12.4	6.9	5.6	1.6	8.0	12.0	Q1

**TAPE AND REEL BOX DIMENSIONS**

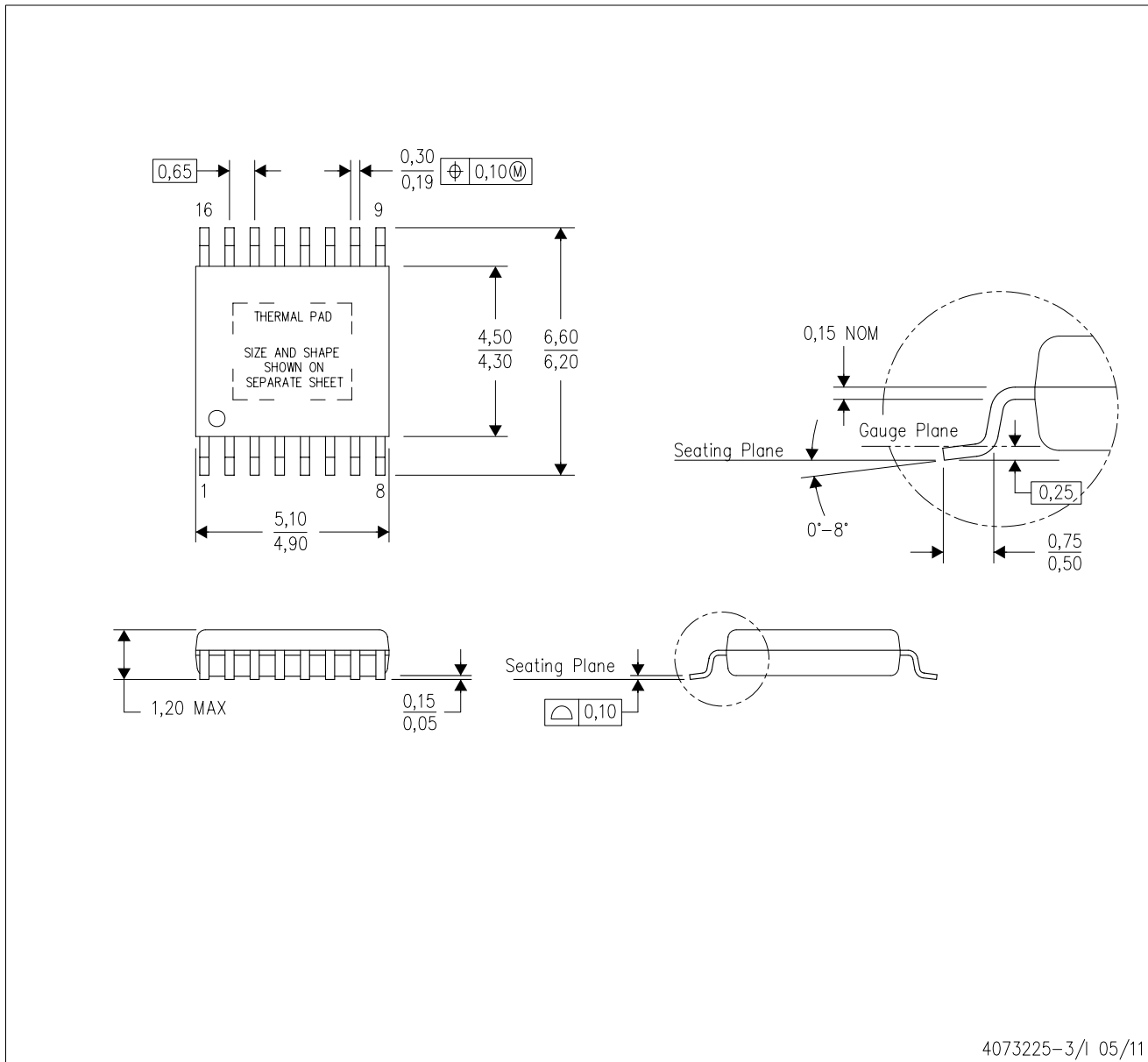


\*All dimensions are nominal

Device	Package Type	Package Drawing	Pins	SPQ	Length (mm)	Width (mm)	Height (mm)
UCD8220QPWPRQ1	HTSSOP	PWP	16	2000	367.0	367.0	35.0

PWP (R-PDSO-G16)

PowerPAD™ PLASTIC SMALL OUTLINE



4073225-3/1 05/11

- NOTES:
- All linear dimensions are in millimeters.
  - This drawing is subject to change without notice.
  - Body dimensions do not include mold flash or protrusions. Mold flash and protrusion shall not exceed 0.15 per side.
  - This package is designed to be soldered to a thermal pad on the board. Refer to Technical Brief, PowerPad Thermally Enhanced Package, Texas Instruments Literature No. SLMA002 for information regarding recommended board layout. This document is available at [www.ti.com](http://www.ti.com) <<http://www.ti.com>>.
  - See the additional figure in the Product Data Sheet for details regarding the exposed thermal pad features and dimensions.
  - Falls within JEDEC MO-153

PowerPAD is a trademark of Texas Instruments.

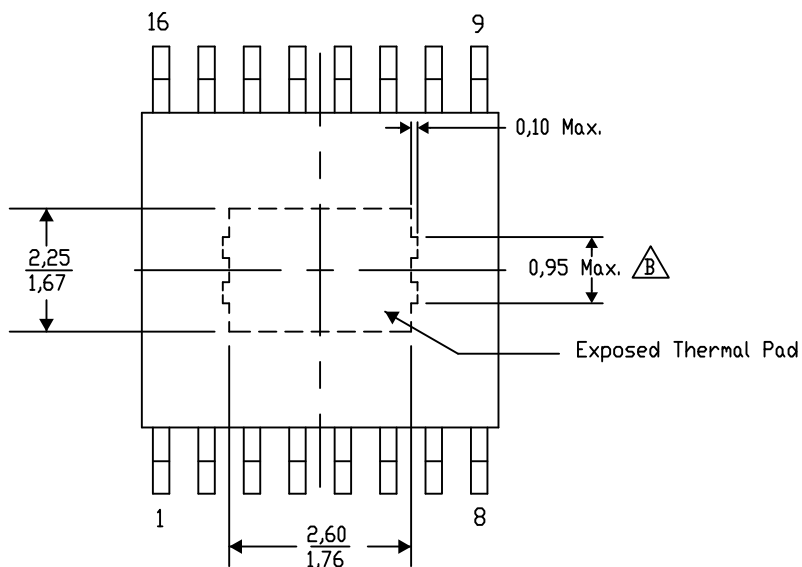
PWP (R-PDSO-G16) PowerPAD™ SMALL PLASTIC OUTLINE

THERMAL INFORMATION

This PowerPAD™ package incorporates an exposed thermal pad that is designed to be attached to a printed circuit board (PCB). The thermal pad must be soldered directly to the PCB. After soldering, the PCB can be used as a heatsink. In addition, through the use of thermal vias, the thermal pad can be attached directly to the appropriate copper plane shown in the electrical schematic for the device, or alternatively, can be attached to a special heatsink structure designed into the PCB. This design optimizes the heat transfer from the integrated circuit (IC).

For additional information on the PowerPAD package and how to take advantage of its heat dissipating abilities, refer to Technical Brief, PowerPAD Thermally Enhanced Package, Texas Instruments Literature No. SLMA002 and Application Brief, PowerPAD Made Easy, Texas Instruments Literature No. SLMA004. Both documents are available at [www.ti.com](http://www.ti.com).

The exposed thermal pad dimensions for this package are shown in the following illustration.

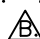


Top View

Exposed Thermal Pad Dimensions

4206332-12/AC 07/12

NOTE: A. All linear dimensions are in millimeters

 Exposed tie strap features may not be present.

PowerPAD is a trademark of Texas Instruments

## IMPORTANT NOTICE

Texas Instruments Incorporated and its subsidiaries (TI) reserve the right to make corrections, enhancements, improvements and other changes to its semiconductor products and services per JESD46C and to discontinue any product or service per JESD48B. Buyers should obtain the latest relevant information before placing orders and should verify that such information is current and complete. All semiconductor products (also referred to herein as "components") are sold subject to TI's terms and conditions of sale supplied at the time of order acknowledgment.

TI warrants performance of its components to the specifications applicable at the time of sale, in accordance with the warranty in TI's terms and conditions of sale of semiconductor products. Testing and other quality control techniques are used to the extent TI deems necessary to support this warranty. Except where mandated by applicable law, testing of all parameters of each component is not necessarily performed.

TI assumes no liability for applications assistance or the design of Buyers' products. Buyers are responsible for their products and applications using TI components. To minimize the risks associated with Buyers' products and applications, Buyers should provide adequate design and operating safeguards.

TI does not warrant or represent that any license, either express or implied, is granted under any patent right, copyright, mask work right, or other intellectual property right relating to any combination, machine, or process in which TI components or services are used. Information published by TI regarding third-party products or services does not constitute a license to use such products or services or a warranty or endorsement thereof. Use of such information may require a license from a third party under the patents or other intellectual property of the third party, or a license from TI under the patents or other intellectual property of TI.

Reproduction of significant portions of TI information in TI data books or data sheets is permissible only if reproduction is without alteration and is accompanied by all associated warranties, conditions, limitations, and notices. TI is not responsible or liable for such altered documentation. Information of third parties may be subject to additional restrictions.

Resale of TI components or services with statements different from or beyond the parameters stated by TI for that component or service voids all express and any implied warranties for the associated TI component or service and is an unfair and deceptive business practice. TI is not responsible or liable for any such statements.

Buyer acknowledges and agrees that it is solely responsible for compliance with all legal, regulatory and safety-related requirements concerning its products, and any use of TI components in its applications, notwithstanding any applications-related information or support that may be provided by TI. Buyer represents and agrees that it has all the necessary expertise to create and implement safeguards which anticipate dangerous consequences of failures, monitor failures and their consequences, lessen the likelihood of failures that might cause harm and take appropriate remedial actions. Buyer will fully indemnify TI and its representatives against any damages arising out of the use of any TI components in safety-critical applications.

In some cases, TI components may be promoted specifically to facilitate safety-related applications. With such components, TI's goal is to help enable customers to design and create their own end-product solutions that meet applicable functional safety standards and requirements. Nonetheless, such components are subject to these terms.

No TI components are authorized for use in FDA Class III (or similar life-critical medical equipment) unless authorized officers of the parties have executed a special agreement specifically governing such use.

Only those TI components which TI has specifically designated as military grade or "enhanced plastic" are designed and intended for use in military/aerospace applications or environments. Buyer acknowledges and agrees that any military or aerospace use of TI components which have **not** been so designated is solely at the Buyer's risk, and that Buyer is solely responsible for compliance with all legal and regulatory requirements in connection with such use.

TI has specifically designated certain components which meet ISO/TS16949 requirements, mainly for automotive use. Components which have not been so designated are neither designed nor intended for automotive use; and TI will not be responsible for any failure of such components to meet such requirements.

### Products

Audio	<a href="http://www.ti.com/audio">www.ti.com/audio</a>
Amplifiers	<a href="http://amplifier.ti.com">amplifier.ti.com</a>
Data Converters	<a href="http://dataconverter.ti.com">dataconverter.ti.com</a>
DLP® Products	<a href="http://www.dlp.com">www.dlp.com</a>
DSP	<a href="http://dsp.ti.com">dsp.ti.com</a>
Clocks and Timers	<a href="http://www.ti.com/clocks">www.ti.com/clocks</a>
Interface	<a href="http://interface.ti.com">interface.ti.com</a>
Logic	<a href="http://logic.ti.com">logic.ti.com</a>
Power Mgmt	<a href="http://power.ti.com">power.ti.com</a>
Microcontrollers	<a href="http://microcontroller.ti.com">microcontroller.ti.com</a>
RFID	<a href="http://www.ti-rfid.com">www.ti-rfid.com</a>
OMAP Mobile Processors	<a href="http://www.ti.com/omap">www.ti.com/omap</a>
Wireless Connectivity	<a href="http://www.ti.com/wirelessconnectivity">www.ti.com/wirelessconnectivity</a>

### Applications

Automotive and Transportation	<a href="http://www.ti.com/automotive">www.ti.com/automotive</a>
Communications and Telecom	<a href="http://www.ti.com/communications">www.ti.com/communications</a>
Computers and Peripherals	<a href="http://www.ti.com/computers">www.ti.com/computers</a>
Consumer Electronics	<a href="http://www.ti.com/consumer-apps">www.ti.com/consumer-apps</a>
Energy and Lighting	<a href="http://www.ti.com/energy">www.ti.com/energy</a>
Industrial	<a href="http://www.ti.com/industrial">www.ti.com/industrial</a>
Medical	<a href="http://www.ti.com/medical">www.ti.com/medical</a>
Security	<a href="http://www.ti.com/security">www.ti.com/security</a>
Space, Avionics and Defense	<a href="http://www.ti.com/space-avionics-defense">www.ti.com/space-avionics-defense</a>
Video and Imaging	<a href="http://www.ti.com/video">www.ti.com/video</a>

**TI E2E Community** [e2e.ti.com](http://e2e.ti.com)