

bq28z560-R1 Single Cell Li-Ion Battery Gas Gauge and Protection

Check for Samples: [bq28z560-R1](#)

FEATURES

- **A Comprehensive Single Cell Li-Ion Battery Manager Integrates All Essential Functions:**
 - Gas Gauge
 - Low-Side N-CH FET Protection Control
 - JEITA/Enhanced Charging
 - Authentication
- **Impedance Track™ Gas Gauging**
- **Protection Functions Help to Prevent:**
 - Short-Circuit
 - Overcurrent Charge and Discharge
 - Overvoltage Charge (Overcharge)
 - Undervoltage (Over-Discharge)

- **Firmware Control of Discharge FET**
- **SHA-1/HMAC Battery Authentication**
- **I²C™ Communications Interface or HDQ Single Wire**
- **12-pin, 2.5-mm x 4.0-mm SON Package**

APPLICATIONS

- **Tablet PCs**
- **Slates**
- **Digital Still and Video Cameras**
- **Handheld Terminals**
- **MP3 or Multimedia Players**

DESCRIPTION

The Texas Instruments bq28z560-R1 device is a battery gas gauge with current and voltage protection, and secure, SHA-1/HMAC authentication for single-cell Li-Ion battery packs. Designed for battery pack integration, the bq28z560-R1 requires host microcontroller firmware support for implementation. A system processor communicates with the bq28z560-R1 using one of two options: an I²C™ serial interface or an HDQ single-wire configuration to obtain remaining battery capacity, system run-time predictions, and other critical battery information.

The bq28z560-R1 uses the accurate Texas Instruments Impedance Track™ gas gauging algorithm to report the status of the cell. The gauge provides information such as state-of-charge (%), run-time to empty (min.), charge time to full (min.), battery voltage (V), and pack temperature (°C).

The bq28z560-R1 features integrated support for secure battery pack authentication, using the SHA-1/HMAC authentication algorithm.



Please be aware that an important notice concerning availability, standard warranty, and use in critical applications of Texas Instruments semiconductor products and disclaimers thereto appears at the end of this data sheet.

Impedance Track is a trademark of Texas Instruments.

I²C is a trademark of NXP B.V. Corporation.

PRODUCTION DATA information is current as of publication date. Products conform to specifications per the terms of the Texas Instruments standard warranty. Production processing does not necessarily include testing of all parameters.

Copyright © 2013, Texas Instruments Incorporated



These devices have limited built-in ESD protection. The leads should be shorted together or the device placed in conductive foam during storage or handling to prevent electrostatic damage to the MOS gates.

ORDERING INFORMATION⁽¹⁾

T _A	PART NUMBER	PACKAGE	TAPE AND REEL QUANTITY
-40°C to 85°C	bq28z560-R1DRZR	12-pin, 2.5-mm × 4.0-mm SON	3000
	bq28z560-R1DRZT		250

- (1) For the most current package and ordering information, see the Package Option Addendum at the end of this document, or visit the device product folder on ti.com (www.ti.com).

THERMAL INFORMATION

THERMAL METRIC ⁽¹⁾		bq28z560-R1	
		SON	
		12 PINS	
			UNITS
θ_{JA}	Junction-to-ambient thermal resistance ⁽²⁾	186.4	°C/W
$\theta_{JC(top)}$	Junction-to-case(top) thermal resistance ⁽³⁾	90.4	
θ_{JB}	Junction-to-board thermal resistance ⁽⁴⁾	110.7	
Ψ_{JT}	Junction-to-top characterization parameter ⁽⁵⁾	96.7	
Ψ_{JB}	Junction-to-board characterization parameter ⁽⁶⁾	90	
$\theta_{JC(bottom)}$	Junction-to-case(bottom) thermal resistance ⁽⁷⁾	n/a	

- (1) For more information about traditional and new thermal metrics, see the *IC Package Thermal Metrics* application report, SPRA953.
- (2) The junction-to-ambient thermal resistance under natural convection is obtained in a simulation on a JEDEC-standard, high-K board, as specified in JESD51-7, in an environment described in JESD51-2a.
- (3) The junction-to-case (top) thermal resistance is obtained by simulating a cold plate test on the package top. No specific JEDEC-standard test exists, but a close description can be found in the ANSI SEMI standard G30-88.
- (4) The junction-to-board thermal resistance is obtained by simulating in an environment with a ring cold plate fixture to control the PCB temperature, as described in JESD51-8.
- (5) The junction-to-top characterization parameter, Ψ_{JT} , estimates the junction temperature of a device in a real system and is extracted from the simulation data for obtaining θ_{JA} , using a procedure described in JESD51-2a (sections 6 and 7).
- (6) The junction-to-board characterization parameter, Ψ_{JB} , estimates the junction temperature of a device in a real system and is extracted from the simulation data for obtaining θ_{JA} , using a procedure described in JESD51-2a (sections 6 and 7).
- (7) The junction-to-case (bottom) thermal resistance is obtained by simulating a cold plate test on the exposed (power) pad. No specific JEDEC standard test exists, but a close description can be found in the ANSI SEMI standard G30-88.

TYPICAL APPLICATION

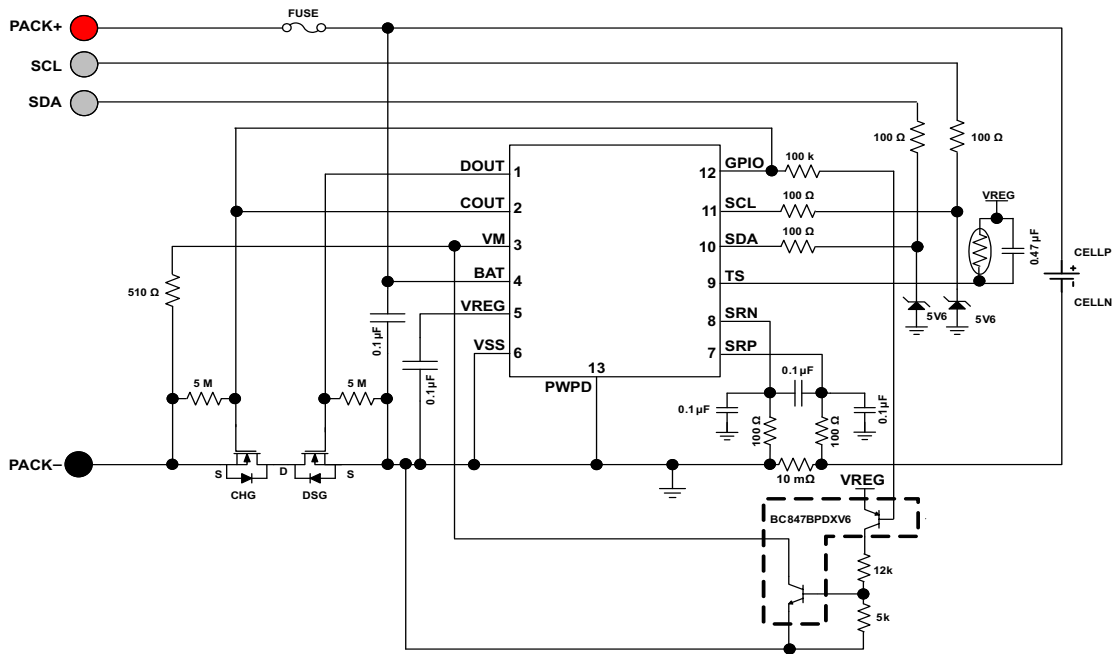


Figure 1. Application—CFET

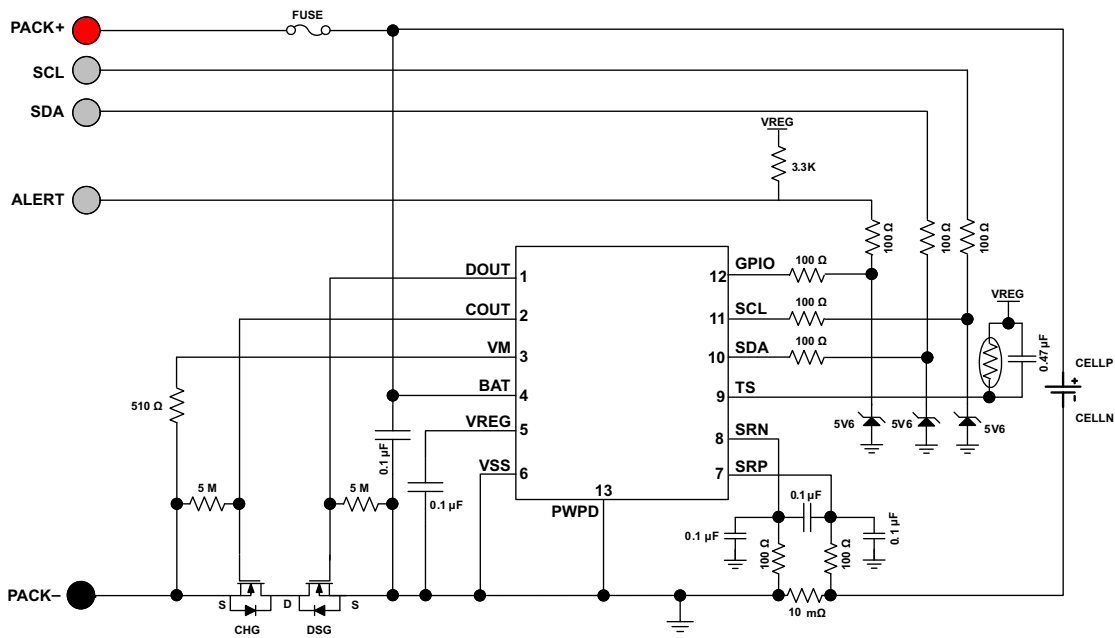


Figure 2. Application—ALERT

PIN DETAILS

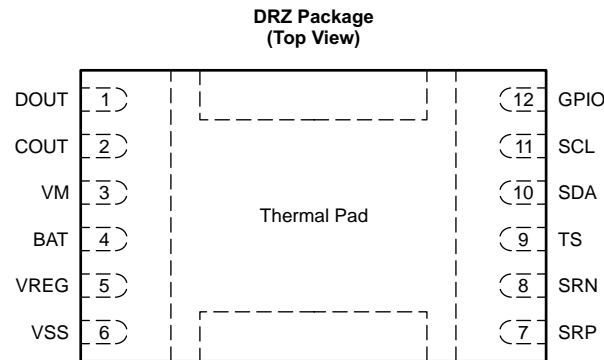


Table 1. Pin Descriptions

PIN NUMBER	PIN NAME	I/O ⁽¹⁾	DESCRIPTION
1	DOUT	IA	The output of the gate drive for discharge FET
2	COUT	IA	The output of the gate drive for charge FET
3	VM	IA	Analog input pin connected to the PACKN through a 510-Ω resistor. Overcurrent and short-circuit protection circuits use the voltage across VM and VSS to detect if excessive charge or discharge current is flowing through the protection FETs.
4	BAT	IA	Cell voltage measurement input. ADC input. Connect a 0.1-μF ceramic capacitor to VSS.
5	VREG	P	2.5-V output voltage of the internal integrated LDO. Connect a 0.1-μF ceramic capacitor to VSS.
6	VSS	P	Device ground
7	SRP	IA	Analog input pin connected to the internal coulomb counter where SRP is nearest the CELL-connection. Connect to a 5-mΩ to 20-mΩ sense resistor.
8	SRN	IA	Analog input pin connected to the internal coulomb counter where SRN is nearest the PACKN connection. Connect to a 5-mΩ to 20-mΩ sense resistor.
9	TS	IA	Pack thermistor voltage sense (use 103AT-type thermistor), ADC input
10	SDA	I/O	Serial Data interface for SMBus
11	SCL	I	Serial Clock interface for SMBus
12	GPIO	I/O	General Purpose control output for configuration as CFET control OR Alert output OR HDQ interface
13	PWPD	I/O	Thermal Pad. Connect to VSS externally on PCB.

(1) IA = Input Analog, OA = Output Analog, P = Power Connection

BLOCK DIAGRAM

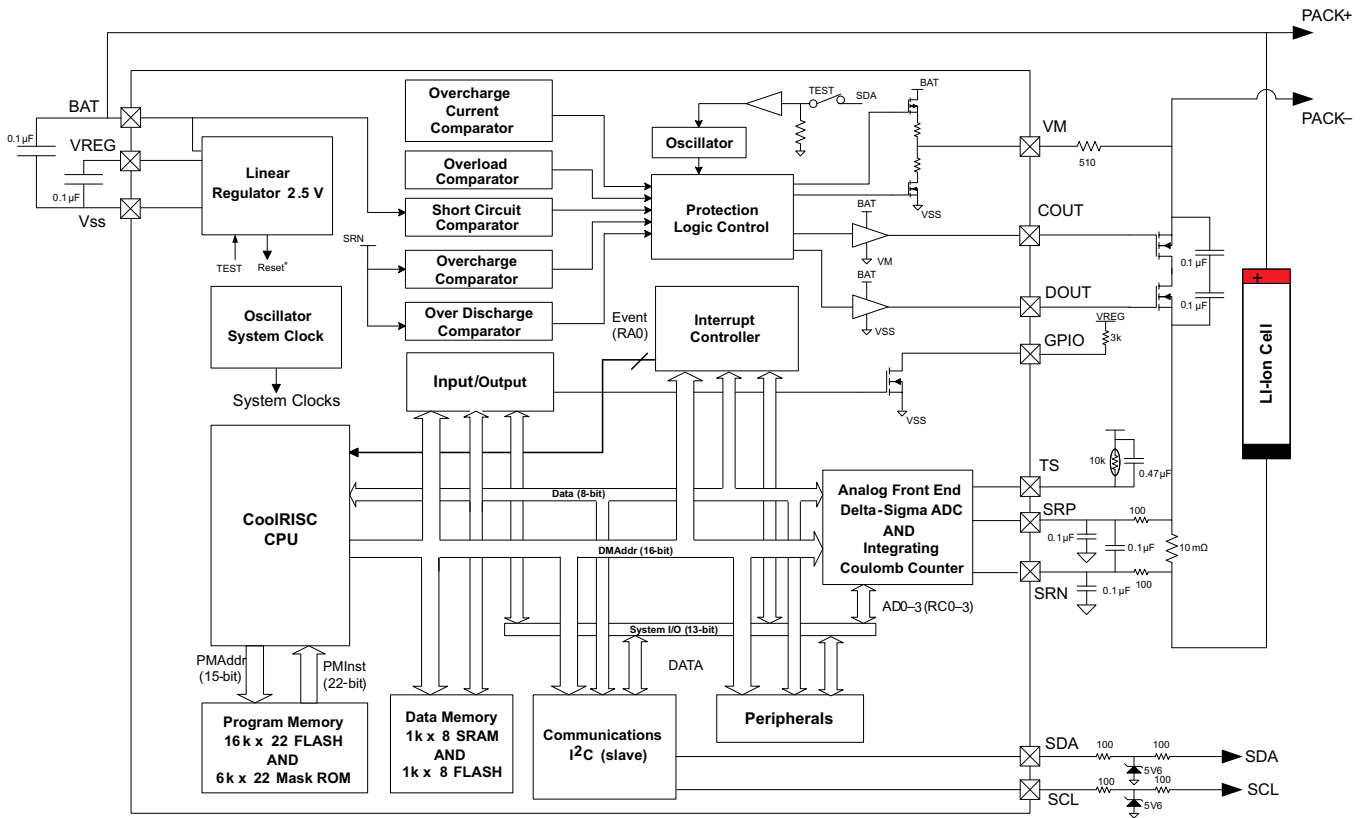


Figure 3. Block Diagram

ABSOLUTE MAXIMUM RATINGS

All voltages are referenced to the VSS pin. Over operating free-air temperature range (unless otherwise noted) ⁽¹⁾

PARAMETER	VALUE	UNIT	
V _{BAT}	Input voltage, BAT (Pin 4)	-0.3 to 12	V
V _{VM}	VM terminal voltage (Pin 3)	V _{BAT} - 32 to V _{BAT} + 0.3	V
V _{COUT}	COUT terminal input voltage (Pin 2)	V _{BAT} - 32 to V _{BAT} + 0.3	V
V _{DOUT}	DOUT terminal input voltage (Pin 1)	V _{SS} - 0.3 to V _{BAT} + 0.3	V
V _{IOD}	All other pins (Pins 5, 7, 8, 9, and 12)	-0.3 to 6	V
V _{SDATA}	SDA (Pin 10)	V _{SS} - 0.3 to V _{BAT} + 0.3	V
V _{SCLK}	SCL (Pin 11)	V _{SS} - 0.3 to V _{BAT} + 0.3	V
ESD	Human body model	±2	kV
ESD	Machine model	±200	V
T _A	Operating free-air temperature range	-40°C to 85	°C
T _{stg}	Storage temperature range	-65°C to 150	°C

(1) Stresses beyond those listed under “absolute maximum ratings” may cause permanent damage to the device. These are stress ratings only and functional operation of the device at these or any other conditions beyond those indicated under “recommended operating conditions” is not implied. Exposure to absolute-maximum-rated conditions for extended periods may affect device reliability.

RECOMMENDED OPERATING CONDITIONS

$T_A = 25^\circ\text{C}$, $V_{\text{BAT}} = 3.6\text{ V}$ (unless otherwise noted)

PARAMETER		TEST CONDITIONS	MIN	TYP	MAX	UNIT
V_{BAT}	BAT pin 4 input		2.45		5.5	V
I_{BAT}	NORMAL operating mode	Gas gauge in NORMAL mode. $I_{\text{LOAD}} > \text{Sleep Current}$		141		μA
	Low-power	Gas gauge in SLEEP mode. $I_{\text{LOAD}} < \text{Sleep Current}$		70		
	Sleep	Gas gauge in FULLSLEEP mode. $I_{\text{LOAD}} < \text{Sleep Current}$		31		
	Hibernate	Gas gauge in HIBERNATE mode. $I_{\text{LOAD}} < \text{Hibernate Current}$		16		
	Shutdown	Gas gauge in SHUTDOWN mode		1		
I_{SS}	Maximum current				20	mA
C_{REG}	Regulator output capacitor		0.1			μF
C_{BAT}	V_{BAT} input filter capacitor			0.1		μF
R_{PACKN}	Resistor from VM to PACKN			510		Ω
R_{PU_-}	SDA pull up resistor			1.3	3.3	k Ω
V_{PU_-}	SDA pull up voltage		1.8		4.2	V
V_{IL_-}	SDA, SCL OR GPIO Input voltage low		-0.3		0.6	V
V_{IH_-}	SDA, SCL OR GPIO Input voltage high		1.2		6	V
V_{OL_-}	SDA or GPIO output voltage low	$I_{\text{OL}} = 3\text{ mA}$ (open drain)	0		0.4	V
C_1	Capacitance for each I/O pin	SDA and SCL input capacitance			10	pF
t_{PUCD}	Power Up Communication Delay			250		ms
V_{AI2}	Input voltage range (SRP, SRN)		$V_{\text{SS}} - 0.25$		0.25	V

BATTERY PROTECTION

$T_A = -40$ to $+85^\circ\text{C}$, $V_{\text{BAT}} = 1.5\text{ V}$ to 5.5 V ; Typical values stated, where $T_A = 25^\circ\text{C}$ and $V_{\text{BAT}} = 3.6\text{ V}$ (unless otherwise noted)

PARAMETER		TEST CONDITION	MIN	NOM	MAX	UNIT
V_{ST}	Minimum operating voltage for 0 V charging	$V_{\text{ST}} = V_{\text{BAT}} - V_{\text{M}}$			1.2	V
R_{SHORT}	Overcurrent release resistance	$V_{\text{BAT}} = 4.0\text{ V}$, $V_{\text{M}} = 1\text{ V}$	30	50	100	k Ω
R_{DS}	DS pin pull-down resistance	$V_{\text{BAT}} = 4.0\text{ V}$	6.5	13.0	26.0	k Ω
V_{OL1}	COU Low Level Output voltage (referenced to VM)	$I_{\text{OL}} = 30\ \mu\text{A}$, $V_{\text{BAT}} = 4.5\text{ V}$		0.4	0.5	V
V_{OH1}	COU High Level Output voltage (referenced to VM)	$I_{\text{OH}} = 30\ \mu\text{A}$, $V_{\text{BAT}} = 4.0\text{ V}$	3.4	3.7		V
V_{OL2}	DOU Low Level Output voltage (referenced to Vss)	$I_{\text{OL}} = 30\ \mu\text{A}$, $V_{\text{BAT}} = 2.0\text{ V}$		0.2	0.5	V
V_{OH2}	DOU High Level Output voltage (referenced to Vss)	$I_{\text{OH}} = 30\ \mu\text{A}$, $V_{\text{BAT}} = 4.0\text{ V}$	3.4	3.7		V
V_{DET1}	Overcharge detection	$T_A = 25^\circ\text{C}$ detection voltage	4.230	4.250	4.270	V
		$T_A = -10$ to 60°C	4.225	4.250	4.275	
		$T_A = -40$ to 85°C	4.200	4.250	4.300	
V_{REL1}	Overcharge release voltage	$T_A = 25^\circ\text{C}$	4.040	4.070	4.100	V
		$T_A = -10$ to 60°C	4.025	4.070	4.115	
		$T_A = -40$ to 85°C	4.010	4.070	4.130	

BATTERY PROTECTION (continued)

 $T_A = -40$ to $+85^\circ\text{C}$, $V_{\text{BAT}} = 1.5$ V to 5.5 V; Typical values stated, where $T_A = 25^\circ\text{C}$ and $V_{\text{BAT}} = 3.6$ V (unless otherwise noted)

PARAMETER		TEST CONDITION	MIN	NOM	MAX	UNIT
t_{DET1}	Overcharge detection delay time	$V_{\text{BAT}} = 3.5 \text{ V} \geq 4.5 \text{ V}$	0.60	1.00	1.50	s
t_{REL1}	Overcharge release delay time	$V_{\text{BAT}} = 4.5 \text{ V} \geq 3.5 \text{ V}$	4.8	8.0	12.0	ms
V_{DET2}	Over-discharge detection voltage	$T_A = 25^\circ\text{C}$	2.265	2.300	2.335	V
		$T_A = -10$ to 60°C	2.242	2.300	2.358	
		$T_A = -40$ to 85°C	2.220	2.300	2.380	
t_{DET2}	Over-discharge detection delay time	$V_{\text{BAT}} = 3.5 \text{ V} \geq 2.00 \text{ V}$	14.4	24.0	36.0	ms
t_{REL2}	Over-discharge release delay time	$V_{\text{BAT}} = 3 \text{ V}$ $V_M = 3 \text{ V} \geq 0 \text{ V}$	2.4	4.0	6.0	ms
V_{DET3}	Overcurrent detection voltage on discharge	$V_{\text{BAT}} = 4 \text{ V}$	0.130	0.150	0.170	V
V_{DET4}	Overcurrent detection voltage on charging	$V_{\text{BAT}} = 4 \text{ V}$	-0.137	-0.112	-0.087	V
t_{OCD}	Overcurrent detection delay time	$V_{\text{BAT}} = 3 \text{ V}$ $V_M = 0 \text{ V} \geq 1 \text{ V}$	7.2	12.0	18.0	ms
t_{OCR}	Overcurrent release delay time	$V_{\text{BAT}} = 3 \text{ V}$ $V_M = 3 \text{ V} \geq 0 \text{ V}$	2.4	4.0	6.0	ms
V_{SHORT}	Short detection voltage	$V_{\text{BAT}} = 4 \text{ V}$, $R_{\text{PACKN}} = 510 \Omega$	$V_{\text{BAT}} - 1.2$	$V_{\text{BAT}} - 0.9$	$V_{\text{BAT}} - 0.6$	V
t_{SHORT}	Short detection delay time	$V_{\text{BAT}} = 3 \text{ V}$ $V_M = 0 \text{ V} \geq 3 \text{ V}$	200	400	800	μs

VOLTAGE REGULATOR

 $T_A = -40$ to $+85^\circ\text{C}$, $V_{\text{BAT}} = 1.5$ V to 5.5 V; Typical values stated, where $T_A = 25^\circ\text{C}$ and $V_{\text{BAT}} = 3.6$ V (unless otherwise noted)

PARAMETER		TEST CONDITIONS	MIN	TYP	MAX	UNIT
V_{REG}	Output voltage	$2.7 \text{ V} < V_{\text{BAT}} < 5.5 \text{ V}$, $I_{\text{OUT}} = 16 \text{ mA}$	2.45	2.50	2.55	V
		$2.45 \text{ V} < V_{\text{BAT}} < 2.7 \text{ V}$, $I_{\text{OUT}} = 3 \text{ mA}$	2.40			
ΔV_{LINE}	Line regulation	$2.7 \text{ V} < V_{\text{BAT}} < 5.5 \text{ V}$, $I_{\text{OUT}} = 16 \text{ mA}$		100	200	mV
ΔV_{LOAD}	Load regulation	$V_{\text{REG}} = 2.45 \text{ V}$, $100 \mu\text{A} < I_{\text{OUT}} < 3 \text{ mA}$		30	50	mV
		$V_{\text{BAT}} = 2.7 \text{ V}$, $3 \text{ mA} < I_{\text{OUT}} < 16 \text{ mA}$		30	50	
V_{DO}	Dropout voltage	$V_{\text{BAT}} = 2.45 \text{ V}$, $I_{\text{OUT}} = 3 \text{ mA}$		30	50	mV
		$V_{\text{BAT}} = 2.7 \text{ V}$, $I_{\text{OUT}} = 16 \text{ mA}$		30	50	
$\Delta V_{\text{REG}}/\Delta T$	Output voltage temperature coefficient	$V_{\text{BAT}} = 3.5 \text{ V}$, $I_{\text{OUT}} = 100 \mu\text{A}$		100		ppm/ $^\circ\text{C}$
ΔV_{LINE}	Current limit	$V_{\text{BAT}} = 3.5 \text{ V}$, $I_{\text{REG}} = 2.0 \text{ V}$	16		130	mA
		$V_{\text{BAT}} = 3.5 \text{ V}$, $I_{\text{REG}} = 0 \text{ V}$	10	35	60	
V_{OFF}	Regulator off voltage		7.0	8.0	9.0	V
t_{VOFF}	Regulator off voltage delay time	$V_{\text{BAT}} = 3.6 \text{ V} \rightarrow 5.5 \text{ V}$, $R_{\text{load}} = 100 \Omega$ $V_{\text{REG}} = 2.5 \text{ V} \rightarrow 2.3 \text{ V}$, $C_{\text{load}} = 0.1 \mu\text{F}$, $T_A = 25^\circ\text{C}$		50	100	μs

POWER-ON RESET

 $T_A = -40$ to $+85^\circ\text{C}$; Typical Values at $T_A = 25^\circ\text{C}$ (unless otherwise noted)

PARAMETER		TEST CONDITIONS	MIN	TYP	MAX	UNIT
$V_{\text{IT+}}$	Positive-going battery voltage input at V_{REG}	No external loading on V_{REG}	2.125	2.200	2.275	V
V_{HYS}		No external loading on V_{REG}	75	125	175	mV

INTERNAL TEMPERATURE SENSOR CHARACTERISTICS

$T_A = -40$ to $+85^\circ\text{C}$, $V_{\text{BAT}} = 2.7$ V to 5.5 V; Typical values stated, where $T_A = 25^\circ\text{C}$ and $V_{\text{BAT}} = 3.6$ V (unless otherwise noted)

PARAMETER	TEST CONDITIONS	MIN	TYP	MAX	UNIT
G_{TEMP} Temperature sensor voltage gain			-2.0		mV/ $^\circ\text{C}$

HIGH FREQUENCY OSCILLATOR

$T_A = -40$ to $+85^\circ\text{C}$, $V_{\text{BAT}} = 2.7$ V to 5.5 V; Typical values stated, where $T_A = 25^\circ\text{C}$ and $V_{\text{BAT}} = 3.6$ V (unless otherwise noted)

PARAMETER	TEST CONDITIONS	MIN	TYP	MAX	UNIT
$f_{(\text{OSC})}$ Operating frequency			2.097		MHz
$f_{(\text{EIO})}$ Frequency error ^{(1), (2)}	$T_A = 0^\circ\text{C}$ to 60°C	-2.0	0.38	2.0	%
	$T_A = -20^\circ\text{C}$ to 70°C	-3.0	0.38	3.0	%
	$T_A = -40^\circ\text{C}$ to 85°C	-4.5	0.38	4.5	%
$t_{(\text{SXO})}$ Start-up time ⁽³⁾			2.5	5	ms

(1) The frequency error is measured from 2.097 MHz.

(2) The frequency drift is included and measured from the trimmed frequency at $V_{\text{CC}} = 2.5$ V, $T_A = 25^\circ\text{C}$.

(3) The startup time is defined as the time it takes for the oscillator output frequency to be $\pm 3\%$.

LOW FREQUENCY OSCILLATOR

$T_A = -40$ to $+85^\circ\text{C}$, $V_{\text{BAT}} = 2.7$ V to 5.5 V; Typical values stated, where $T_A = 25^\circ\text{C}$ and $V_{\text{BAT}} = 3.6$ V (unless otherwise noted)

PARAMETER	TEST CONDITIONS	MIN	TYP	MAX	UNIT
$f_{(\text{LOSC})}$ Operating frequency			32.768		kHz
$f_{(\text{LEIO})}$ Frequency error ^{(1), (2)}	$T_A = 0^\circ\text{C}$ to 60°C	-1.5	0.25	1.5	%
	$T_A = -20^\circ\text{C}$ to 70°C	-2.5	0.25	2.5	%
	$T_A = -40^\circ\text{C}$ to 85°C	-4.0	0.25	4.0	%
$t_{(\text{LSXO})}$ Start-up time ⁽³⁾				500	μs

(1) The frequency drift is included and measured from the trimmed frequency at $V_{\text{CC}} = 2.5$ V, $T_A = 25^\circ\text{C}$.

(2) The frequency error is measured from 32.768 kHz.

(3) The startup time is defined as the time it takes for the oscillator output frequency to be $\pm 3\%$.

INTEGRATING ADC (COULOMB COUNTER) CHARACTERISTICS

$T_A = -40$ to $+85^\circ\text{C}$, $V_{\text{BAT}} = 2.7$ V to 5.5 V; Typical values stated, where $T_A = 25^\circ\text{C}$ and $V_{\text{BAT}} = 3.6$ V (unless otherwise noted)

PARAMETER	TEST CONDITIONS	MIN	TYP	MAX	UNIT
$V_{\text{IN}(\text{SR})}$ Input voltage range, $V_{(\text{SRN})}$ and $V_{(\text{SRP})}$	$V_{\text{SR}} = V_{(\text{SRN})} - V_{(\text{SRP})}$	-0.125		0.125	V
$t_{\text{CONV}(\text{SR})}$	Conversion time		1		s
	Resolution	14		15	bits
$V_{\text{OS}(\text{SR})}$ Input offset			10		μV
INL Integral non-linearity error			± 0.007	± 0.034	FSR
$Z_{\text{IN}(\text{SR})}$ Effective input resistance ⁽¹⁾		2.5			M Ω
$I_{\text{lk}(\text{SR})}$ Input leakage current ⁽¹⁾				0.3	μA

(1) Specified by design. Not production tested.

ADC (TEMPERATURE AND CELL VOLTAGE) CHARACTERISTICS

$T_A = -40$ to $+85^\circ\text{C}$, $V_{\text{BAT}} = 2.7$ V to 5.5 V; Typical values stated, where $T_A = 25^\circ\text{C}$ and $V_{\text{BAT}} = 3.6$ V (unless otherwise noted)

PARAMETER	TEST CONDITIONS	MIN	TYP	MAX	UNIT
$V_{\text{IN}(\text{ADC})}$ Input voltage range		-0.2		1	V
$t_{\text{CONV}(\text{ADC})}$	Conversion time			125	ms
	Resolution	14		15	bits
$V_{\text{OS}(\text{ADC})}$ Input offset			1		mV

ADC (TEMPERATURE AND CELL VOLTAGE) CHARACTERISTICS (continued)

$T_A = -40$ to $+85^\circ\text{C}$, $V_{BAT} = 2.7$ V to 5.5 V; Typical values stated, where $T_A = 25^\circ\text{C}$ and $V_{BAT} = 3.6$ V (unless otherwise noted)

PARAMETER		TEST CONDITIONS	MIN	TYP	MAX	UNIT
$Z_{(ADC1)}$	Effective input resistance (TS) ⁽¹⁾		8			MΩ
$Z_{(ADC2)}$	Effective input resistance (BAT) ⁽¹⁾	bq28z560-R1 not measuring cell voltage	8			MΩ
		bq28z560-R1 measuring cell voltage		100		kΩ
$I_{lkg(ADC)}$	Input leakage current ⁽¹⁾				0.3	μA

(1) Specified by design. Not production tested.

DATA FLASH MEMORY CHARACTERISTICS

$T_A = -40$ to $+85^\circ\text{C}$, $V_{BAT} = 2.7$ V to 5.5 V; Typical values stated, where $T_A = 25^\circ\text{C}$ and $V_{BAT} = 3.6$ V (unless otherwise noted)

PARAMETER		TEST CONDITIONS	MIN	TYP	MAX	UNIT
t_{DR}	Data retention ⁽¹⁾		10			Years
	Flash programming write-cycles ⁽¹⁾		20,000			Cycles
$t_{WORDPROG}$	Word programming time ⁽¹⁾				2	ms
I_{CCPROG}	Flash-write supply current ⁽¹⁾			5	10	mA

(1) Specified by design. Not production tested.

HDQ COMMUNICATION TIMING CHARACTERISTICS

$T_A = -40$ to $+85^\circ\text{C}$, $V_{BAT} = 2.7$ V to 5.5 V; Typical values stated, where $T_A = 25^\circ\text{C}$ and $V_{BAT} = 3.6$ V (unless otherwise noted). Capacitance on GPIO is 10 pF unless otherwise specified ⁽¹⁾.

PARAMETER		TEST CONDITIONS	MIN	TYP	MAX	UNIT
$t_{(CYCH)}$	Cycle time, host to bq28z560-R1		190			μs
$t_{(CYCD)}$	Cycle time, bq28z560-R1 to host		190	205	250	μs
$t_{(HW1)}$	Host sends 1 to bq28z560-R1		0.5		50	μs
$t_{(DW1)}$	bq28z560-R1 sends 1 to host		32		50	μs
$t_{(HW0)}$	Host sends 0 to bq28z560-R1		86		145	μs
$t_{(DW0)}$	bq28z560-R1 sends 0 to host		80		145	μs
$t_{(RSPS)}$	Response time, bq28z560-R1 to host		190		950	μs
$t_{(B)}$	Break Time		190			μs
$t_{(BR)}$	Break Recovery Time		40			μs
$t_{(RISE)}$	HDQ Line Rising Time to Logic 1 (1.2 V)				950	ns

(1) Parameters specified by worst-case test program execution in FAST mode.

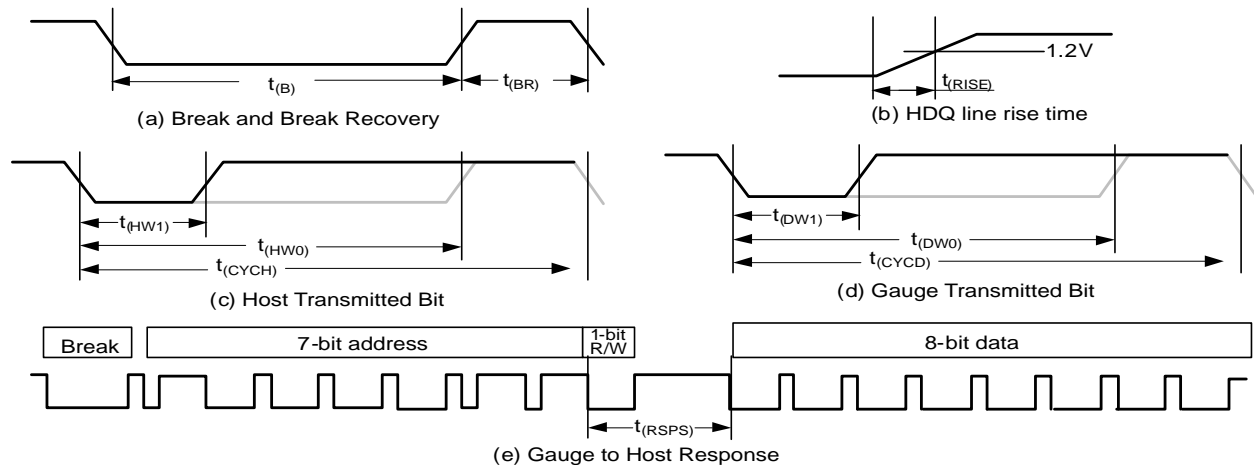


Figure 4. HDQ Timing

I²C SERIAL COMMUNICATION TIMING CHARACTERISTICS

$T_A = -40$ to $+85^\circ\text{C}$, $V_{\text{BAT}} = 2.7$ V to 5.5 V; Typical values stated, where $T_A = 25^\circ\text{C}$ and $V_{\text{BAT}} = 3.6$ V (unless otherwise noted). Capacitance on serial interface pins SCL and SDA are 10 pF unless otherwise specified ⁽¹⁾.

PARAMETER	TEST CONDITIONS	MIN	TYP	MAX	UNIT
t_r	SCL/SDA rise time			300	ns
t_f	SCL/SDA fall time			300	ns
$t_{w(H)}$	SCL pulse width (high)	600			ns
$t_{w(L)}$	SCL pulse width (low)	1.3			μs
$t_{\text{su(STA)}}$	Setup for repeated start	600			ns
$t_{\text{d(STA)}}$	Start to first falling edge of SCL	600			ns
$t_{\text{su(DAT)}}$	Data setup time	1			μs
$t_{\text{h(DAT)}}$	Data hold time	0			ns
$t_{\text{su(STOP)}}$	Setup time for stop	600			ns
t_{BUF}	Bus free time between stop and start	1.3			μs
f_{SCL}	Clock frequency			100	kHz

(1) Parameters specified by worst-case test program execution in FAST mode.

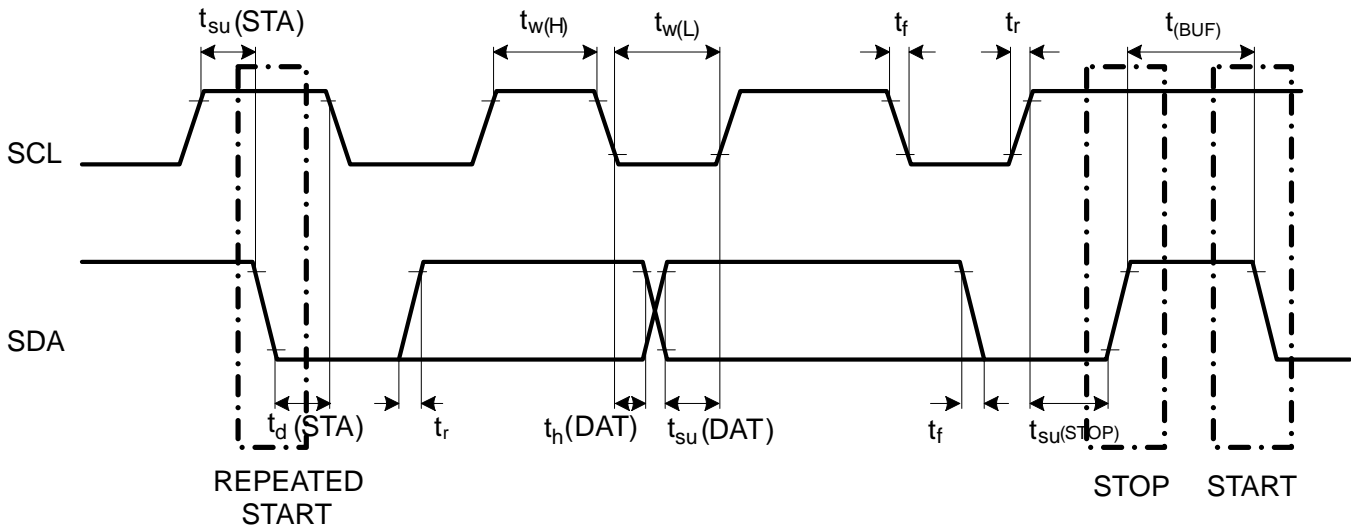


Figure 5. I²C Serial Communication Timing

I²C BUS COMMUNICATION

The 2-wire communication bus supports a slave-only device in a single- or multi-slave configuration with a single- or multi-master configuration. The device can be part of a shared bus by the unique setting of the 7-bit slave address. The 2-wire communication is bi-directional, consisting of a serial data line (SDA) and serial clock line (SCL). In RECEIVE mode, the SDA terminal operates as an input; whereas, when the device is returning data to the master, the SDA operates as an open drain output with an external resistive pull-up. The master device controls the initiation of the transaction on the bus line.

Data Transfer: Each data bit is transferred during an SCL clock cycle (transition from low-to-high and then high-to-low). The data signal on the SDA (logic level) must be stable during the high period of the SCL clock pulse. A change in the SDA logic when SCL is high is interpreted as a START or STOP control signal. If a transfer is interrupted by a STOP condition, the partial byte transmission shall not be latched. Only the prior messages transmitted and acknowledged are latched.

Data Format: The data is an 8-bit format with the most significant bit (MSB) first, and the least significant bit (LSB) followed by an Acknowledge bit. If the slave cannot receive or transmit any byte of data until it services a priority interrupt, it can pull the SCL line low to force the master device into wait state. The slave, once ready to resume data transfer, can release the SCL line (get out of wait state).

Bus Idle: The bus is considered idle or busy when no master device has control of this device. The SDA and SCL lines are high when the bus is idle. The appropriate method to go into the STOP condition is to ensure the bus returns to idle state.

START (S) and STOP (P) Conditions: To initiate communications, the master device transitions the SDA line from high-to-low when the SCL is high. Conversely, to STOP the communication, the SDA goes low-to-high when the SCL is high. To continue communication without terminating one transaction and beginning another, a repeated START (Sr) method can be used without a STOP condition being initiated. These are the only conditions (START or STOP) when SDA transitions when SCL is high.

Acknowledge Bits: An Acknowledge bit (A) is required after each data transfer byte to ensure correct communications. This occurs when the receiving device pulls the SDA low before the rising edge of the acknowledge-related clock pulse (ninth pulse) and keeps it low until the SCL returns low. There is also a No-Acknowledge bit (N), which occurs when the receiver releases the SDA line (high) before the rising edge of acknowledge-related clock pulse, and maintains the SDA line high until SCL returns low. The Acknowledge bit indicates if a successful data transfer has occurred between the master and slave device. Monitoring this bit also indicates an unsuccessful data transfer due to the receiving device being busy or as a system fault occurrence.

Communication Format

A **START** command immediately followed by a **STOP** command is an illegal format.

MSB						
S	Slave Address	R/W	A	Data	A	P

S = START Command

R/W = Read from slave device ("1") or Write to slave device ("0")

A = Acknowledge bit

P = STOP Command

Slave Address = 7-bit address field for register address

Data = 8-bit data field

GENERAL DESCRIPTION

The bq28z560-R1 accurately predicts the battery capacity and other operational characteristics of a single Li-Ion based rechargeable cell, while also providing a state-of-the-art protection function against short circuit, overcurrent, and overvoltage. The device can be integrated by a system processor to provide cell information, such as state-of-charge (SOC), Remaining Capacity, and Full Charge Capacity (FCC).

NOTE

FORMATTING CONVENTIONS IN THIS DOCUMENT:

Commands: Italics with parentheses and no breaking spaces; for example, *RemainingCapacity()*

Data Flash: Italics, bold, and breaking spaces; for example, ***Design Capacity***

Register Bits and Flags: Brackets only; for example, [TDA]

Data Flash Bits: Italics and bold; for example, ***[NR]***

Modes and States: All capitals; for example, SEALED mode

DATA ACQUISITION

Cell Voltage

The bq28z560-R1 samples the single cell voltage from the BAT input terminal. The cell voltage is sampled and updated every 1 s in NORMAL mode. To ensure accurate cell measurement, the VSS ground connection of the bq28z560-R1 should be connected to the negative terminal of the single cell and *not* to the positive side of the sense resistor.

Charge Measurement

The device samples the charge into and out of the single cell using a low-value sense resistor. The resistor (typically 5 mΩ to 20 mΩ) is connected between SRP and SRN to form a differential input to an integrating ADC (coulomb counter). Charge activity is detected when $V_{SR} = V_{SRP} - V_{SRN}$ is positive and discharge activity is detected when $V_{SR} = V_{SRP} - V_{SRN}$ is negative. This data is integrated over a period of time using an internal counter, and updates *RemainingCapacity* with charge and discharge amounts every 1 s in NORMAL mode.

Current Measurement

The device has a FIFO buffer, which uses the last four coulomb counter readings to calculate the current. The current is updated every 1 s in NORMAL mode.

CELL DETECTION

Internal Short Detection

The device can detect an internal battery short by setting the [SE_ISD] bit in Pack Configuration Register B. The bq28z560-R1 compares the self-discharge current calculated based on *StateOfCharge()* in RELAX mode and *AverageCurrent()* measured in the system. The self-discharge is measured at 1-hour intervals. When the battery *SelfDischargeCurrent()* is less than a predefined ISD Current threshold, the ISD flag bit is set high.

Tab Disconnection Detection

The bq28z560-R1 detects tab disconnection by change in *StateOfHealth()*. This feature is enabled by setting the [SE_TDD] bit in Pack Configuration Register B. The [TDD] bit is set in the flag register when the ratio of current *StateOfHealth()* divided by the previous *StateOfHealth()* reported is less than TDD SOH percent.

TEMPERATURE MEASUREMENT AND THE TS INPUT

The bq28z560-R1 measures external temperature via the TS pin in order to supply battery temperature status information to the gas gauging algorithm and charger-control sections of the gauge. Alternatively, the gauge can also measure internal temperature via its on-chip temperature sensor. Refer to the ***Pack Configuration[TEMPS]*** control bit.

Regardless of which sensor is used for measurement, a system processor can request the current battery temperature by calling the *Temperature()* function. The temperature information is updated every 1 s in NORMAL mode.

The bq28z560-R1 external temperature sensing is optimized with the use of a high accuracy negative temperature coefficient (NTC) thermistor with $R_{25} = 10\text{ K}\Omega \pm 1\%$ and $B_{25/85} = 3435\text{ K}\Omega \pm 1\%$ (such as Semitec 103AT for measurement). [REFERENCE SCHEMATIC](#) shows additional circuit information on connecting this thermistor to the bq28z560-R1.

OVERTEMPERATURE INDICATION

Overtemperature: Charge

If during charging *Temperature()* reaches the threshold of **OT Chg** for a period of **OT Chg Time** and *AverageCurrent()* > **Chg Current Threshold**, then based on System Configuration the following occurs:

- If the GPIO is set for CFET control, the GPIO output will transition low and with the associated external circuitry the CHG FET is turned OFF. When the temperature falls to **OT Chg Recovery**, the GPIO will transition high again and allow the charge FET to turn on.
- If **OT Chg Time** = 0, the feature is completely disabled.
- If GPIO is configured as Alert output and if the OTC_EN bit in the Alert Configuration register is set to 1, the Alert pin (Pin 12) will transition low to signify a fault has occurred. The polarity of the alert output can be selected by setting the ALRT_POL bit in the Alert Configuration register. The fault is cleared on read.

Overtemperature: Discharge

If during discharging *Temperature()* reaches the threshold of **OT Dsg** for a period of **OT Dsg Time**, and *AverageCurrent()* \leq **Dsg Current Threshold**, then based on system Configuration the following occurs:

- If the above condition is satisfied, then the Dsg FET is turned off. When the temperature falls to **OT Dsg Recovery**, the Dsg FET is turned on.
- If **OT Dsg Time** = 0, the feature is completely disabled.
- If GPIO is configured as Alert output and if the OTD_EN bit in the Alert Configuration register is set to 1, the Alert pin (Pin 12) will transition low to signify a fault has occurred. The polarity of the alert output can be selected by setting the ALRT_POL bit in the Alert Configuration register. The fault is cleared on read.

PROTECTION

Overcharge Detector

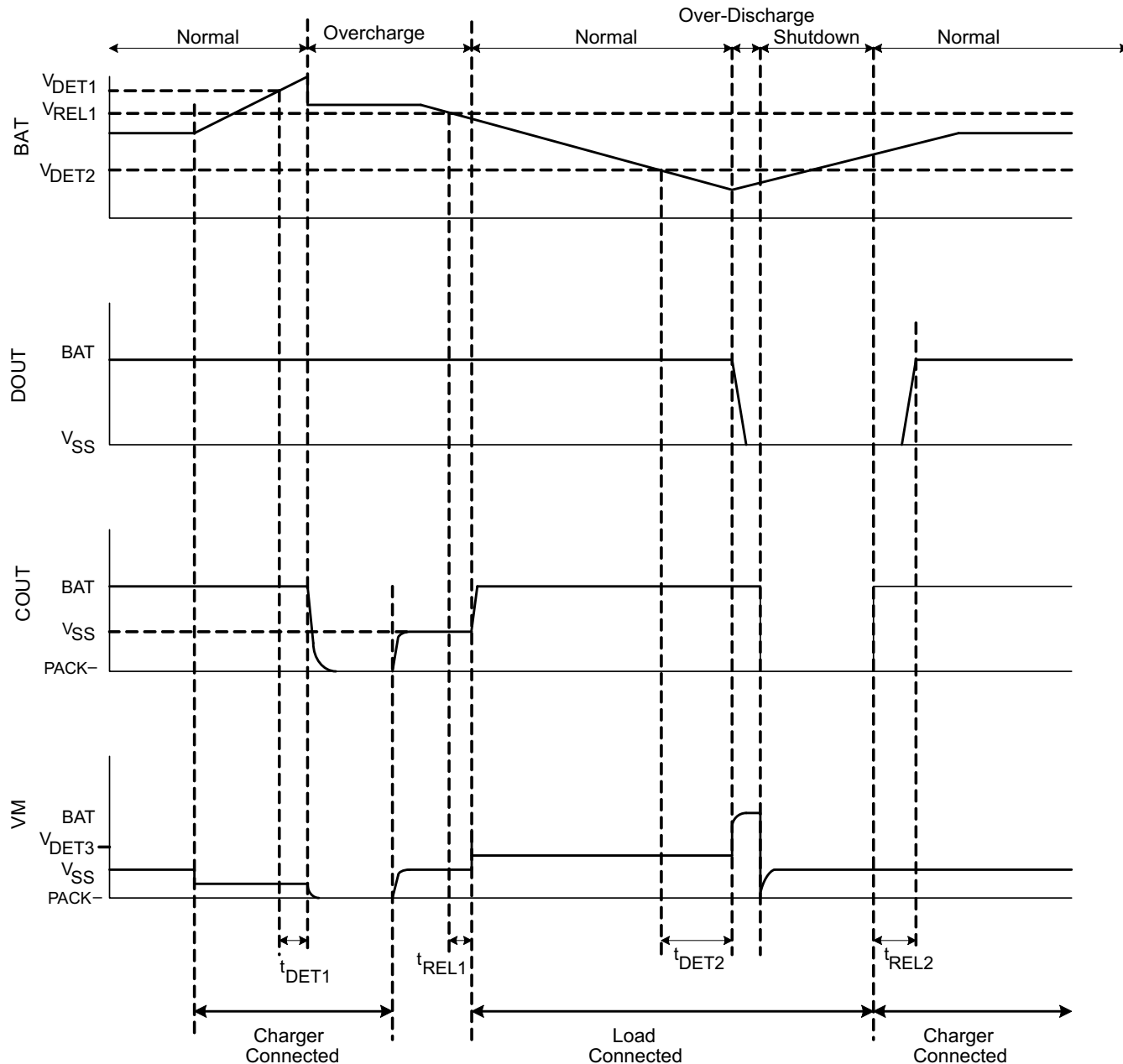
When charging a battery, if the V_{BAT} voltage becomes greater than the overcharge detection voltage ($V_{DET1} = 4.25\text{ V typ}$) for a period up to the overcharge detection delay time ($t_{DET1} = 1.00\text{ s typ}$), the bq28z560-R1 detects the overcharge state of the battery, and the COUT pin transitions to a low level. This prohibits charging the battery by turning off the external charge control N-channel MOSFET.

In the overcharge state, if a charger is removed and a load is connected, the external charge control MOSFET conducts the load current through its parasitic body diode. If the V_{BAT} voltage becomes lower than the overcharge release voltage ($V_{REL1} = 4.07\text{ V typ}$) for a period up to the overcharge release delay time ($t_{REL1} = 8\text{ ms typ}$), the COUT pin transitions to a high level, enabling charge of the battery by turning on the external charge control N-channel MOSFET.

Over-Discharge Detector

When discharging a battery, if the V_{BAT} voltage becomes lower than the over-discharge detection voltage ($V_{DET2} = 2.3\text{ V typ}$) for a period up to the over-discharge detection delay time ($t_{DET2} = 24\text{ ms typ}$), the bq28z560-R1 detects the over-discharge state of the battery, and the DOUT pin transitions to a low level. This prohibits discharging the battery by turning off the external discharge control N-channel MOSFET.

In the over-discharge state, if a charger is connected, the external discharge control MOSFET conducts the charge current through its parasitic body diode. If the V_{BAT} voltage becomes greater than the over-discharge detection voltage ($V_{DET2} = 2.3\text{ V typ}$) for a period up to the overcharge release delay time ($t_{REL2} = 4\text{ ms typ}$), the DOUT pin transitions to a high-level enabling discharge of the battery by turning on the external discharge control N-channel MOSFET. After detecting over-discharge, the device stops all operations and enters standby, which reduces the current consumed by the IC to its lowest mode (standby current).

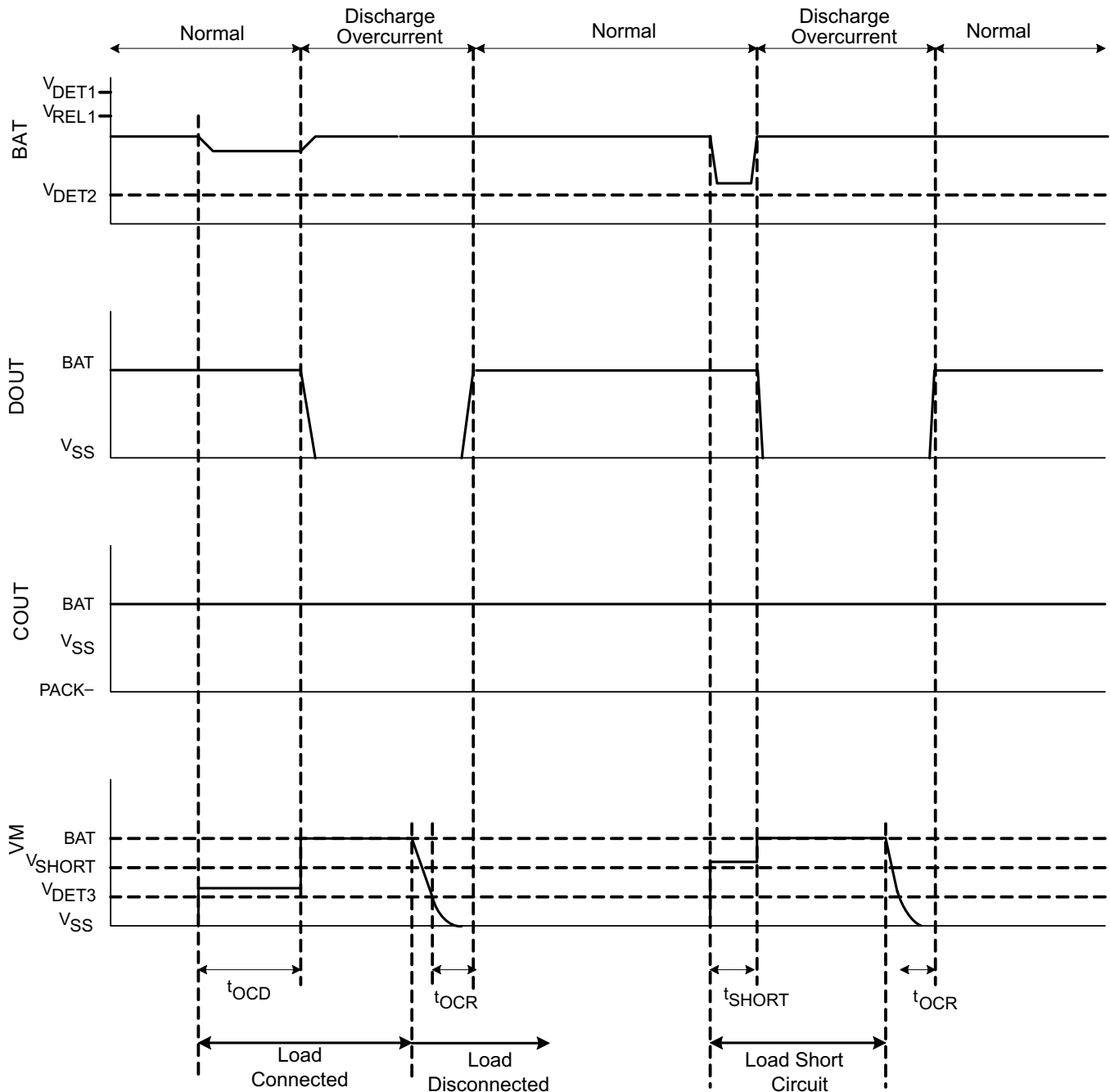


Discharge Overcurrent Detector and Short-Circuit Detector

If the voltage across both protection MOSFETs ($V_M - V_{SS}$) becomes higher than the discharge overcurrent detection voltage ($V_{DET3} = 0.150\text{ V typ}$) for a period of up to the discharge overcurrent detection delay time ($t_{DET3} = 12\text{ ms typ}$), the bq28z560-R1 detects the discharge overcurrent state of the battery and the DOUT pin transitions to a low level. This prohibits discharging the battery by turning off the external discharge control N-channel MOSFET.

Additionally, if the voltage across both protection MOSFETs ($V_M - V_{SS}$) becomes higher than the short-circuit voltage ($V_{SHORT} = V_{BAT} - 0.9\text{ V typ}$) for a period up to the discharge short-circuit detection delay time ($t_{SHORT} = 400\ \mu\text{s typ}$), the bq28z560-R1 detects short-circuit of the battery and the DOUT pin transitions to a low level. This prohibits discharging the battery by turning off the external discharge control N-channel MOSFET.

In both the discharge overcurrent and short-circuit states, an internal discharge overcurrent release resistor (20 k Ω typ) is turned on (switched in between VM and VSS), allowing the VM pin to be pulled down to the VSS potential if the load is released. If the $V_M - V_{SS}$ voltage becomes lower than the discharge overcurrent detection voltage ($V_{DET3} = 0.150\text{ V typ}$) for a period up to the discharge overcurrent release delay time ($t_{REL3} = 4\text{ ms typ}$), the discharge overcurrent release resistor is turned off and the DOUT pin transitions to a high level, enabling discharge of the battery by turning on the external discharge control N-channel MOSFET.



Charge Overcurrent Detector

If the voltage across both protection MOSFETs ($V_M - V_{SS}$) becomes more negative than the charge overcurrent detection voltage ($V_{DET4} = -0.112\text{ V typ}$) for a period up to the charge overcurrent detection delay time ($t_{DET4} = 12\text{ ms typ}$) due to an abnormal charging current or abnormal charging voltage, the bq28z560-R1 detects the overcurrent charge state of the battery and the COUT pin transitions to a low level. This prohibits charging the battery by turning off the external charge control N-channel MOSFET. The bq28z560-R1 releases from the charge overcurrent detection state on by detecting the connection of a load for a period up to the overcharge release delay time ($t_{REL4} = 4\text{ ms typ}$).

Table 2. Hardware Control Due to Fault Detection

Fault Condition	DOUT	COUT	Delay (typ)	Comment
Overcharge Voltage Protection	ON	OFF	1 s	Once BATHI occurs for longer than the specified duration (1 s typ), the CHG FET is turned OFF, and bus communication is <i>not</i> valid, the system will support power to the load with current flow through the CHG FET parasitic diode. This can cause the cell to discharge. Once the cell voltage reaches the overcharge release voltage for the specified duration (8 ms typ) the CHG FET is turned ON and bus communication is valid.
Overcurrent Protection During Charging	ON	OFF	12 ms	If the cell is being charged with excessive current, the threshold will be based on a hardware limit measurement of -112 mV typ across the CHG + DSG FET ($V_M - V_{SS}$) for a duration longer than 12 ms (typ), the CHG FET is turned OFF and bus communication is <i>not</i> valid. This will prevent further charging of the cell. The setting of the CHG bit in the control Status register is dependent on the OC bit setting in the Flags Bit Definition register selection. The FET bit in the Control between the charger is removed and cell voltage falls below the threshold for greater than 8 ms (typ). COUT is turned back ON. Once the host MCU takes corrective action OR if the battery charger is removed AND there is a load detected for a period of 4 ms (typ), the CHG FET is turned ON bus communication is valid.
Over Discharging Voltage Protection	OFF	ON	24 ms	If the cell voltage falls to lower than 2.3 V for a duration of 24 ms (typ), the DSG FET is turned OFF, and bus communication is <i>not</i> valid. The system requires if the charger is connected and cell voltage rises above threshold for greater than 4 ms (typ). DOUT is turned back ON and bus communication is valid.
Overcurrent Protection During Discharging	OFF	ON	12 ms	If the cell is being discharged with excessive current, the threshold will be based on a hardware limit measurement of 150 mV typ across the DSG + CHG FET ($V_M - V_{SS}$) for a duration longer than 12 ms (typ), the DSG FET is turned OFF, and bus communication is <i>not</i> valid. This prevents further discharging of the cell, and the DSG bit in the Control Status register will be set. If the drop across the DSG + CHG FET is less than the threshold OR there is <i>no</i> load detected for a duration of 4 ms (typ), the DSG FET is turned ON and bus communication is valid.
Short-Circuit Protection	OFF	ON	400 μs	Detection of cell short circuit is measured at VM input. Shorted cell detection is $V_{BAT} - 0.9\text{ V}$ for greater than 400 μs at VM terminal, and the DSG FET is turned OFF, and bus communication is <i>not</i> valid. The DSG bit in the control Status register will be set. The system will turn the DSG FET ON if the voltage at VM is below 150 mV OR <i>no</i> load is detected.

Gas Gauge Control of Discharge DOUT Pin

Firmware Control of DOUT for Protection

The gas gauge firmware can override the hardware-based protection by forcing DOUT low to turn OFF the discharge FET. However, the firmware cannot override the hardware protection to force discharge.

The following conditions can enable firmware to force DOUT low:

1. BATLOW—Undervoltage protection using CUV settings. If the cell voltage drops below the firmware setting the DOUT pin transitions to a low to turn off the discharge FET. The Discharge FET is turned back on once the cell voltage rises above the set hysteresis.
2. OCD condition—If the average discharge current is greater than the set OCD current, the DOUT pin transitions low to turn of the Discharge FET. The Discharge FET is turned back on once the average current decreases below the set level.
3. OTD condition—The DOUT will transition low if the discharge current is flowing and the temperature is above th set OTD threshold.

- The HOST_DISCONNECT (DSG FET OFF) subcommand—This feature is useful for the system to disable the discharge FET from the battery pack if it fails to authenticate.

The conditions stated above are ignored if there is charge current flow (body diode protection).

Gas Gauge Control of Charge FET

Firmware Control of Charge FET for Protection

The gas gauge firmware control of the charge FET is achieved by using the GPIO with external circuitry. Typically the COUT pin is high and so to override this, the GPIO pin transitions low and the CHG FET gate drive is pulled low to turn OFF the Charge FET. The output of the GPIO pin will be released once the fault condition is removed.

The following parameters can be controlled through firmware (GPIO pin) providing the set thresholds are within the range of the hardware limits set by the protector.

- BATHI—Overvoltage protection using COV settings. If the cell voltage exceeds the firmware setting the GPIO output transitions low to turn off the Charge FET. The Charge FET is turned back on once the cell voltage decays below the set hysteresis (GPIO output transitions high).
- OCC condition—If the average current is greater than the set OCC current, the GPIO output transitions low to turn off the Charge FET. The Charge FET is turned back on once the average current decreases to the set level.
- OTC condition—The CFET output will transition low if the charge current is flowing and the temperature is above the set OTC threshold or Charge Inhibit Temperature Hi. Alternatively, the CFET will *not* be allowed to turn ON if the temperature is above the set OTC or Charge Inhibit Temperature Hi thresholds and charge inhibit flag is set.

The conditions stated above are ignored if there is discharge current flow (body diode protection).

- Taper Current (TC) condition—This condition can also be used to turn OFF the Charge FET when the [ChgFetTerm]bit (Bit 2/0x04) in Operation Configuration C is set and the gauge detects primary charge termination. The CHG FET would turn ON once RSOC < TCA clear%.

Zero Voltage Charging

When the cell voltage is 0 V and if the charger voltage is above the minimum operating voltage for 0 V charging (1.2 V max), the COUT output transitions to a high level and charge current can flow.

FET Control Protection

[Figure 6](#) shows an overview of the FET Control Protection operation.

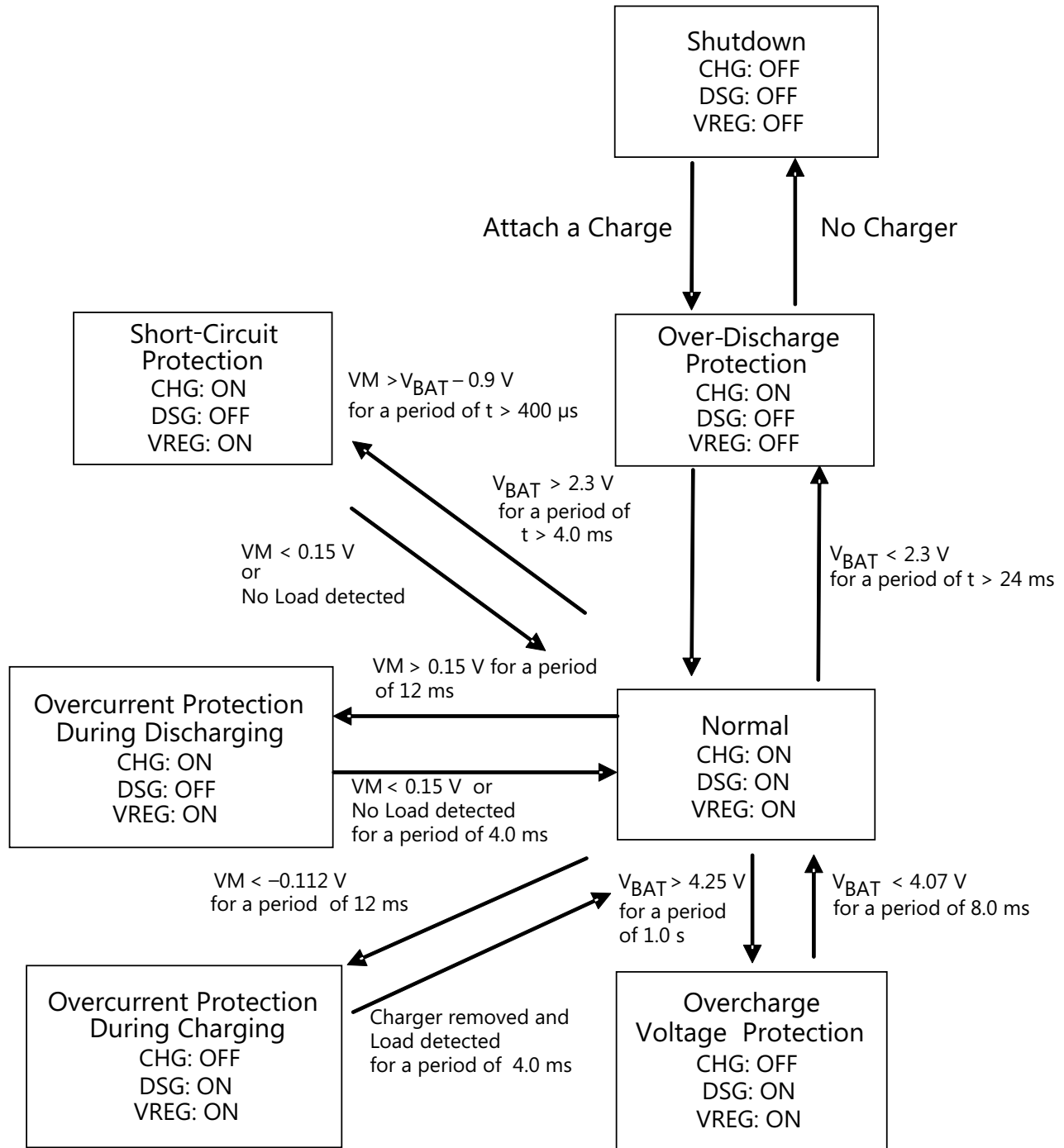


Figure 6. FET Control Protection

NOTE

When the CHG FET or DSG FET is turned OFF due to fault conditions, bus communication is *not* valid. The bus communication will only be activated by removal of the fault condition (see [Table 2](#)).

Regulator

Regulator out voltage is fixed at typically 2.5 V with a minimum output capacitance of 0.1 μF (0.47 μF typ). There is an internal current limit designed for 60 mA (typ) when output is shorted to GND. When V_{BAT} is over 8.0 V (typ), the regulator is turned off for the safety of the package dissipation.

DATA COMMANDS

STANDARD DATA COMMANDS

The bq28z560-R1 uses a series of 2-byte standard commands to enable system reading and writing of battery information. Each standard command has an associated command-code pair, as indicated in [Table 3](#). Each protocol has specific means to access the data at each Command Code. DataRAM is updated and read by the gauge only once per second. Standard commands are accessible in normal operation mode.

Table 3. Standard Commands

NAME		COMMAND CODE	UNITS	SEALED ACCESS
<i>Control()</i>	CNTL	0x00 / 0x01	N/A	R/W
<i>AtRate()</i>	AR	0x02 / 0x03	mA	R/W
<i>AtRateTimeToEmpty()</i>	ARTTE	0x04 / 0x05	Minutes	R
<i>Temperature()</i>	TEMP	0x06 / 0x07	0.1K	R
<i>Voltage()</i>	VOLT	0x08 / 0x09	mV	R
<i>Flags()</i>	FLAGS	0x0a / 0x0b	N/A	R
<i>NominalAvailableCapacity()</i>	NAC	0x0c / 0x0d	mAh	R
<i>FullAvailableCapacity()</i>	FAC	0x0e / 0x0f	mAh	R
<i>RemainingCapacity()</i>	RM	0x10 / 0x11	mAh	R
<i>FullChargeCapacity()</i>	FCC	0x12 / 0x13	mAh	R
<i>AverageCurrent()</i>	AI	0x14 / 0x15	mA	R
<i>TimeToEmpty()</i>	TTE	0x16 / 0x17	Minutes	R
<i>TimeToFull()</i>	TTF	0x18 / 0x19	Minutes	R
<i>StandbyCurrent()</i>	SI	0x1a / 0x1b	mA	R
<i>StandbyTimeToEmpty()</i>	STTE	0x1c / 0x1d	Minutes	R
<i>MaxLoadCurrent()</i>	MLI	0x1e / 0x1f	mA	R
<i>MaxLoadTimeToEmpty()</i>	MLTTE	0x20 / 0x21	Minutes	R
<i>AvailableEnergy()</i>	AE	0x22 / 0x23	mWhr / cWhr	R
<i>AveragePower()</i>	AP	0x24 / 0x25	mW / cW	R
<i>TTEatConstantPower()</i>	TTECP	0x26 / 0x27	Minutes	R
<i>Internal_Temp()</i>	INTTEMP	0x28 / 0x29	0.1°K	R
<i>CycleCount()</i>	CC	0x2a / 0x2b	Counts	R
<i>StateOfCharge()</i>	SOC	0x2c / 0x2d	%	R
<i>StateOfHealth()</i>	SOH	0x2e / 0x2f	% / num	R
<i>PassedCharge()</i>	PCHG	0x34 / 0x35	mAh	R
<i>DOD0()</i>	DOD0	0x36 / 0x37	HEX#	R
<i>SelfDischargeCurrent()</i>	SDSG	0x38 / 0x39	mA	R

Control(): 0x00/0x01

Issuing a *Control()* command requires a subsequent 2-byte subcommand. These additional bytes specify the particular control function desired. The *Control()* command allows the system to control specific features of the bq28z560-R1 during normal operation and additional features when the bq28z560-R1 is in different access modes, as described in [Table 4](#).

Table 4. Control() Subcommands

CNTL FUNCTION	CNTL DATA	SEALED ACCESS	DESCRIPTION
CONTROL_STATUS	0x0000	Yes	Reports the status of DF Checksum, Hibernate, IT, etc.
DEVICE_TYPE	0x0001	Yes	Reports the device type of 0x0541 (indicating bq28z560-R1)

Table 4. Control() Subcommands (continued)

CNTL FUNCTION	CNTL DATA	SEALED ACCESS	DESCRIPTION
FW_VERSION	0x0002	Yes	Reports the firmware version on the device type
HW_VERSION	0x0003	Yes	Reports the hardware version of the device type
Reserved	0x0004	No	Not to be used
RESET_DATA	0x0005	No	Returns reset data
Reserved	0x0006	No	Not to be used
PREV_MACWRITE	0x0007	No	Returns previous MAC command code
CHEM_ID	0x0008	Yes	Reports the chemical identifier of the Impedance Track configuration
BOARD_OFFSET	0x0009	No	Forces the device to measure and store the board offset
CC_OFFSET	0x000A	No	Forces the device to measure and internal CC offset
CC_OFFSET_SAVE	0x000B	No	Forces the device to store the internal CC offset
DF_VERSION	0x000C	Yes	Reports the data flash version on the device
SET_FULLSLEEP	0x0010	No	Set the <i>[FULLSLEEP]</i> bit in Control Status register to 1
SET_HIBERNATE	0x0011	Yes	Forces CONTROL_STATUS <i>[HIBERNATE]</i> to 1
CLEAR_HIBERNATE	0x0012	Yes	Forces CONTROL_STATUS <i>[HIBERNATE]</i> to 0
SET_SHUTDOWN	0x0013	Yes	Forces CONTROL_STATUS <i>[SHUTDOWN]</i> to 1. SET_SHUTDOWN enables the system to enter into SHUTDOWN mode.
CLEAR_SHUTDOWN	0x0014	Yes	Forces CONTROL_STATUS <i>[SHUTDOWN]</i> to 0
SET_HDQINTEN	0x0015	Yes	Forces CONTROL_STATUS <i>[HDQIntEn]</i> to 1
CLEAR_HDQINTEN	0x0016	Yes	Forces CONTROL_STATUS <i>[HDQIntEn]</i> to 0
STATIC_CHEM_CHKSUM	0x0017	Yes	Calculates chemistry checksum
HOST_DISCONNECT	0x0018	Yes	Forces the DOUT pin low to disable discharge
HOST_CONNECT	0x0019	Yes	Clears DSGFETOFF, allowing DOUT to go high if no other conditions force it low
SEALED	0x0020	No	Places the bq28z560-R1 in SEALED ACCESS mode
IT_ENABLE	0x0021	No	Enables the Impedance Track algorithm
CAL_ENABLE	0x002d	No	Toggle bq28z560-R1 CALIBRATION mode
RESET	0x0041	No	Forces a full reset of the bq28z560-R1
EXIT_CAL	0x0080	No	Exit bq28z560-R1 CALIBRATION mode
ENTER_CAL	0x0081	No	Enter bq28z560-R1 CALIBRATION mode
OFFSET_CAL	0x0082	No	Reports internal CC offset in CALIBRATION mode

CONTROL_STATUS: 0x0000

Instructs the gas gauge to return status information to Control addresses 0x00/0x01. The status word includes the following information.

Table 5. CONTROL_STATUS Flags

	Bit 7	Bit 6	Bit 5	Bit 4	Bit 3	Bit 2	Bit 1	Bit 0
High Byte	DSGFETOFF	FAS	SS	CALMODE	CCA	BCA	CSV	HDQIntEn
Low Byte	SHUTDOWN	HIBERNATE	FULLSLEEP	SLEEP	LDMD	RUP_DIS	VOK	QEN

DSGFETOFF = State bit indicating the DISCHARGE FET has been disabled by HOST (HOST_DISCONNECT).

FAS = Status bit indicating the bq28z560-R1 is in FULL ACCESS SEALED state. Active when set.

SS = Status bit indicating the bq28z560-R1 is in the SEALED state. Active when set.

CALMODE = Status bit indicating the calibration function is active. True when set. Default is 0.

CCA = Status bit indicating the bq28z560-R1 coulomb counter Calibration routine is active. The CCA routine takes place approximately 1 minute after the initialization and periodically as gauging conditions change. Active when set.

BCA = Status bit indicating the bq28z560-R1 Board Calibration routine is active. Active when set.

CSV = Status bit indicating a valid data flash checksum has been generated. Active when set.

- HDQIntEn = Status bit indicating the HDQ interrupt function is active. True when set. Default is 0.
- SHUTDOWN = Status bit indicating the bq28z560-R1 is in SHUTDOWN mode. True when set. Default is 0.
- HIBERNATE = Status bit indicating a request for entry into HIBERNATE from SLEEP mode has been issued. True when set. Default is 0. Control bit when set will put the bq28z560-R1 into the lower power state of SLEEP mode. It is not possible to monitor this bit.
- FULLSLEEP = Status bit indicating the bq28z560-R1 is in FULLSLEEP mode. True when set. The state can be detected by monitoring the power used by the bq28z560-R1 because any communication will automatically clear it.
- SLEEP = Status bit indicating the bq28z560-R1 is in SLEEP mode. True when set.
- LDMD = Status bit indicating the bq28z560-R1 Impedance Track algorithm using CONSTANT POWER mode. True when set. Default is 0 (CONSTANT CURRENT mode).
- RUP_DIS = Status bit indicating the bq28z560-R1 Ra table updates are disabled. True when set.
- VOK = Status bit indicating cell voltages are OK for Qmax updates. True when set.
- QEN = Status bit indicating the bq28z560-R1 Qmax updates are enabled. True when set.

Control(): 0x00/0x01

Issuing a *Control()* command requires a subsequent 2-byte subcommand. These additional bytes specify the particular control function desired. The *Control()* command allows the system to control specific features of the bq28z560-R1 during normal operation and additional features when the device is in access modes, as described in [Table 6](#).

Table 6. Control() Subcommands

CNTL FUNCTION	CNTL DATA	SEALED ACCESS	DESCRIPTION
SET_FULLSLEEP	0x0010	Yes	Sets the [FULLSLEEP] bit in Control Status register to 1
SET_HIBERNATE	0x0011	Yes	Forces CONTROL_STATUS [HIBERNATE] to 1
CLEAR_HIBERNATE	0x0012	Yes	Forces CONTROL_STATUS [HIBERNATE] to 0
SET_SHUTDOWN	0x0013	Yes	Forces CONTROL_STATUS [SHUTDOWN] to 1
CLEAR_SHUTDOWN	0x0014	Yes	Forces CONTROL_STATUS [SHUTDOWN] to 0
HOST_DISCONNECT	0x0018	Yes	Forces the DOUT pin low to disable discharge.
HOST_CONNECT	0x0019	Yes	Clears DSGFETOFF allowing DOUT to go high if no other conditions force it low

DEVICE_TYPE: 0x0001

Instructs the gas gauge to return the device type to addresses 0x00/0x01.

FW_VERSION: 0x0002

Instructs the gas gauge to return the firmware version to addresses 0x00/0x01. The bq28z560-R1 firmware version return is 0x0214.

HW_VERSION: 0x0003

Instructs the gas gauge to return the hardware version to addresses 0x00/0x01. For bq28z560-R1, 0x0060 is returned. For a firmware upgrade from bq28z560-R1, 0x0000 or 0x0060 is returned.

RESET_DATA: 0x0005

Instructs the gas gauge to return the number of resets performed to addresses 0x00/0x01.

PREV_MACWRITE: 0x0007

Instructs the gas gauge to return the previous command written to addresses 0x00/0x01. The value returned is limited to less than 0x0020.

CHEM_ID: 0x0008

Instructs the gas gauge to return the chemical identifier for the Impedance Track configuration to addresses 0x00/0x01.

BOARD_OFFSET: 0x0009

Instructs the gas gauge to calibrate board offset. During board offset calibration the *[BCA]* bit is set.

CC_OFFSET: 0x000A

Instructs the gas gauge to calibrate coulomb counter offset. During calibration the *[CCA]* bit is set.

CC_OFFSET_SAVE: 0x000B

Instructs the gas gauge to save the calibration coulomb counter offset after calibration.

DF_VERSION: 0x000C

Instructs the gas gauge to return the data flash version to addresses 0x00/0x01.

SET_FULLSLEEP: 0x0010

Instructs the gas gauge to set the FULLSLEEP bit in the Control Status register to 1. This allows the gauge to enter the FULLSLEEP power mode after the transition to SLEEP power state is detected. In FULLSLEEP mode, less power is consumed by disabling an oscillator circuit used by the communication engines. For HDQ communication, one host message will be dropped. For I²C communications, the first I²C message will incur a 6–8 ms clock stretch while the oscillator is started and stabilized. A communication to the device in FULLSLEEP forces the device back to SLEEP mode.

SET_HIBERNATE: 0x0011

Instructs the gas gauge to force the CONTROL_STATUS [HIBERNATE] bit to 1. This enables the gauge to enter the HIBERNATE power mode after the transition to SLEEP power state is detected and the required conditions are met. The [HIBERNATE] bit is automatically cleared upon exiting from HIBERNATE mode.

CAUTION

Do not use the *Control()* subcommand SET_HIBERNATE to disable HIBERNATE mode. To disable HIBERNATE mode, Hibernate Voltage and Current must be set to 0 in the data flash.

If HIBERNATE mode is initiated, always ensure that the bus line is pulled high by an external resistor. It is important to prevent the bus line from being pulled low by an external signal on the line when in HIBERNATE mode; otherwise, the device may latch and a cold power cycle is required.

CLEAR_HIBERNATE: 0x0012

Instructs the gas gauge to force the **CONTROL_STATUS [HIBERNATE]** bit to 0. This prevents the gauge from entering the HIBERNATE power mode after the transition to SLEEP power state is detected. It can also be used to force the gauge out of HIBERNATE mode.

SET_SHUTDOWN: 0x0013

Sets the **CONTROL_STATUS [SHUTDOWN]** bit to 1, thereby enabling the gas gauge to enter SHUTDOWN mode, depending on whether the conditions are met for gas gauge shutdown or not. The delay for shutdown is 1 s, providing there is no charging current detected.

CLEAR_SHUTDOWN: 0x0014

Disables the shutdown by setting this bit to 1, thereby forcing **CONTROL_STATUS [SHUTDOWN]** to 0.

SET_HDQINTEN: 0x0015

Instructs the gas gauge to set the **CONTROL_STATUS [HDQIntEn]** bit to 1. This enables the HDQ Interrupt function. When this subcommand is received, the device will detect any of the interrupt conditions and assert the interrupt at 1-s intervals until the CLEAR_HDQINTEN command is received or the count of HDQHostIntrTries has lapsed (default 3).

CLEAR_HDQINTEN: 0x0016

Instructs the gas gauge to set the **CONTROL_STATUS [HDQIntEn]** bit to 0. This disables the HDQ Interrupt function.

STATIC_CHEM_DF_CHKSUM: 0x0017

Instructs the gas gauge to calculate chemistry checksum as a 16-bit unsigned integer sum of all static chemistry data. The most significant bit (MSB) of the checksum is masked yielding a 15-bit checksum. This checksum is compared with the value stored in the data flash *Static Chem DF Checksum*. If the value matches, the MSB will be cleared to indicate a pass. If it does not match, the MSB will be set to indicate failure.

DSG FET OFF (HOST_DISCONNECT): 0x0018

Instructs the gas gauge to force the protection DOUT pin to a low level. This prohibits discharging the battery by turning off the external discharge control N-channel MOSFET.

DSG FET ON (HOST_CONNECT): 0x0019

Instructs the gas gauge to release the DOUT high if no other conditions exist to force the pin low. This allows discharging the battery by turning on the external discharge control N-channel MOSFET.

SEALED: 0x0020

Instructs the gas gauge to transition from UNSEALED state to SEALED state. The gas gauge should always be set to SEALED state for use in customers' end equipment.

IT ENABLE: 0x0021

This command forces the gas gauge to begin the Impedance Track algorithm, sets Bit 2 of **UpdateStatus**, and causes the [VOK] and [QEN] flags to be set in the CONTROL_STATUS register. [VOK] is cleared if the voltages are not suitable for a Qmax update. Once set, [QEN] cannot be cleared. This command is only available when the gas gauge is UNSEALED and is typically enabled at the last step of production after a system test is completed.

The CFET and DFET are *not* automatically enabled until the IT Enable bit is sent. Prior to this, to control these FETs, a command must be sent to set the CHGFET and DSGFET bits in the Flags Bit Definitions Register to enable the COUT and DOUT, respectively.

CAL_ENABLE: 0x002D

This command toggles the CalEn bit in the PACK Configuration register.

RESET: 0x0041

This command instructs the gas gauge to perform a full reset. This command is only available when the gas gauge is unsealed.

EXIT_CAL: 0x0080

This command instructs the gas gauge to exit CALIBRATION mode.

ENTER_CAL: 0x0081

This command instructs the gas gauge to enter CALIBRATION mode.

OFFSET_CAL: 0x0082

This command instructs the gas gauge to perform offset calibration.

AtRate(): 0x02/0x03

The *AtRate()* read-/write-word function is the first half of a two-function command call-set used to set the AtRate value in calculations made by the *AtRateTimeToEmpty()* function. The *AtRate()* units are in mA.

The *AtRate()* value is a signed integer with negative values interpreted as a discharge current value. The *AtRateTimeToEmpty()* function returns the predicted operating time at the *AtRate* value of discharge. The default value for *AtRate()* is zero and will force *AtRateTimeToEmpty()* to return 65,535. Both the *AtRate()* and *AtRateTimeToEmpty()* commands should only be used in NORMAL mode.

AtRateTimeToEmpty(): 0x04/0x05

This read-only function returns an unsigned integer value of the predicted remaining operating time if the battery is discharged at the *AtRate()* value in minutes with a range of 0 to 65,534. A value of 65,535 indicates *AtRate()* = 0. The gas gauge updates *AtRateTimeToEmpty()* within 1 s after the system sets the *AtRate()* value. The gas gauge automatically updates *AtRateTimeToEmpty()* based on the *AtRate()* value every 1 s. The *AtRate()* and *AtRateTimeToEmpty()* commands should only be used in NORMAL mode.

Temperature(): 0x06/0x07

This read-only function returns an unsigned integer value of the battery temperature in units of 0.1K measured by the gas gauge.

Voltage(): 0x08/0x09

This read-only function returns an unsigned integer value of the measured cell-pack voltage in mV with a range of 0 to 6000 mV.

Flags(): 0x0a/0x0b

This read-only function returns the contents of the gas-gauge status register, depicting the current operating status.

Table 7. Flags Bit Definitions

	Bit 7	Bit 6	Bit 5	Bit 4	Bit 3	Bit 2	Bit 1	Bit 0
High Byte	OT	OC	BATHI	BATLO	CHG_INH	ALRT	FC	CHG
Low Byte	OCVTAKEN	ISD	TDD	CHGFET	DSGFET	SOC1	SOCF	DSG

These fault flags will only clear if the fault condition is removed:

- OT = Overtemperature in a Charge or Discharge condition is detected. True when set.
- OC = Overcurrent in a Charge or Discharge condition is detected. True when set.
- BATHI = Battery High bit indicating a high battery voltage condition. Refer to the data flash **BATTERY HIGH** parameters for threshold settings.
- BATLO = Battery Low bit indicating a low battery voltage condition. Refer to the data flash **BATTERY LOW** parameters for threshold settings.
- CHG_INH = Charge Inhibit indicates the temperature is outside the range [*Charge Inhibit Temp Low, Charge Inhibit Temp High*]. True when set.
- ALRT = Indicates there is an Alert in the system. True when set.
- FC = Full-charged is detected. FC is set when charge termination is reached and *FC Set%* = -1 (see [CHARGING AND CHARGE TERMINATION INDICATION](#) for details) or State of Charge is larger than *FC Set%* and *FC Set%* is not -1. True when set.
- CHG = (Fast) charging allowed. True when set.
- OCVTAKEN = Cleared on entry to RELAX mode and set to 1 when OCV measurement is performed in RELAX.
- ISD = Internal Short is detected. True when set.
- TDD = Tab Disconnect is detected. True when set.
- CHGFET= Indicates the state of the firmware CFET control. True when set to 1.
- DSGFET= Indicates the state of the firmware DFET control. True when set to 1.
- SOC1 = State-of-Charge-Threshold 1 (**SOC1 Set**) reached. True when set.
- SOCF = State-of-Charge-Threshold Final (**SOCF Set %**) reached. True when set.
- DSG = Discharging detected. True when set.

NominalAvailableCapacity(): 0x0c/0x0d

This read-only command pair returns the uncompensated (less than C/20 load) battery capacity remaining. Units are mAh.

FullAvailableCapacity(): 0x0e/0x0f

This read-only command pair returns the uncompensated (less than C/20 load) capacity of the battery when fully charged. Units are mAh. *FullAvailableCapacity()* is updated at regular intervals, as specified by the Impedance Track algorithm.

RemainingCapacity(): 0x10/0x11

This read-only command pair returns the compensated battery capacity remaining. Units are mAh.

FullChargeCapacity(): 0x12/13

This read-only command pair returns the compensated capacity of the battery when fully charged. Units are mAh. *FullChargeCapacity()* is updated at regular intervals, as specified by the Impedance Track algorithm.

AverageCurrent(): 0x14/0x15

This read-only command pair returns a signed integer value that is the average current flow through the sense resistor. It is updated every 1 s. Units are mA.

TimeToEmpty(): 0x16/0x17

This read-only function returns an unsigned integer value of the predicted remaining battery life at the present rate of discharge, in minutes. A value of 65,535 indicates battery is not being discharged.

TimeToFull(): 0x18/0x19

This read-only function returns an unsigned integer value of predicted remaining time until the battery reaches full charge, in minutes, based upon *AverageCurrent()*. The computation accounts for the taper current time extension from the linear TTF computation based on a fixed *AverageCurrent()* rate of charge accumulation. A value of 65,535 indicates the battery is not being charged.

StandbyCurrent(): 0x1a/0x1b

This read-only function returns a signed integer value of the measured standby current through the sense resistor. The *StandbyCurrent()* is an adaptive measurement. Initially it reports the standby current programmed in **Initial Standby**, and after spending some time in standby, reports the measured standby current.

The register value is updated every 1 s when the measured current is above the **Deadband** and is less than or equal to 2 x **Initial Standby**. The first and last values that meet this criteria are not averaged in, since they may not be stable values. To approximate a 1-minute time constant, each new *StandbyCurrent()* value is computed by taking the approximate 93% weight of the last standby current and the approximate 7% of the current measured average current.

StandbyTimeToEmpty(): 0x1c/0x1d

This read-only function returns an unsigned integer value of the predicted remaining battery life at the standby rate of discharge, in minutes. The computation uses *Nominal Available Capacity* (NAC), the uncompensated remaining capacity, for this computation. A value of 65,535 indicates the battery is not being discharged.

MaxLoadCurrent(): 0x1e/0x1f

This read-only function returns a signed integer value, in units of mA, of the maximum load conditions. The *MaxLoadCurrent()* is an adaptive measurement, which is initially reported as the maximum load current programmed in **Initial Max Load Current**. If the measured current is ever greater than **Initial Max Load Current**, then *MaxLoadCurrent()* updates to the new current. *MaxLoadCurrent()* is reduced to the average of the previous value and **Initial Max Load Current** whenever the battery is charged to full after a previous discharge to an SOC less than 50%. This prevents the reported value from maintaining an unusually high value.

MaxLoadTimeToEmpty(): 0x20/0x21

This read-only function returns an unsigned integer value of the predicted remaining battery life at the maximum load current discharge rate, in minutes. A value of 65,535 indicates that the battery is not being discharged.

AvailableEnergy(): 0x22/0x23

This read-only function returns an unsigned integer value of the predicted charge or energy remaining in the battery. The value is reported in units of mW (*Design Energy Scale* = 1) or cW (*Design Energy Scale* = 10).

AveragePower(): 0x24/0x25

This read-word function returns an unsigned integer value of the average power of the current discharge. It is negative during discharge and positive during charge. A value of 0 indicates that the battery is not being discharged. The value is reported in units of mW (*Design Energy Scale* = 1) or cW (*Design Energy Scale* = 10).

TimeToEmptyAtConstantPower(): 0x26/0x27

This read-only function returns an unsigned integer value of the predicted remaining operating time if the battery is discharged at the *AveragePower()* value in minutes. A value of 65,535 indicates *AveragePower()* = 0. The gas gauge automatically updates *TimeToEmptyatConstantPower()* based on the *AveragePower()* value every 1 s.

Internal_Temp(): 0x28/0x29

This read-only function returns an unsigned integer value of the measured internal temperature of the device in units of 0.1K measured by the gas gauge.

CycleCount(): 0x2a/0x2b

This read-only function returns an unsigned integer value of the number of cycles the battery has experienced with a range of 0 to 65,535. One cycle occurs when accumulated discharge \geq **CC Threshold**.

StateOfCharge(): 0x2c/0x2d

This read-only function returns an unsigned integer value of the predicted remaining battery capacity expressed as a percentage of *FullChargeCapacity()*, with a range of 0 to 100%.

StateOfHealth(): 0x2e/0x2f

0x2E SOH percentage: This read-only function returns an unsigned integer value, expressed as a percentage of the ratio of predicted *FCC(25°C, SOH current rate)* over the *DesignCapacity()*. The *FCC(25°C, SOH current rate)* is the calculated full charge capacity at 25°C and the SOH current rate, which is specified in the data flash (State of Health Load). The range of the returned SOH percentage is 0x00 to 0x64, indicating 0 to 100%, correspondingly.

PassedCharge(): 0x34/0x35

This signed integer indicates the amount of charge passed through the sense resistor since the last Impedance Track simulation in mAh.

DOD0(): 0x36/0x37

This unsigned integer indicates the depth of discharge during the most recent OCV reading.

SelfDischargeCurrent(): 0x38/0x39

This read-only command pair returns the signed integer value that estimates the battery self discharge current.

EXTENDED DATA COMMANDS

Extended commands offer additional functionality beyond the standard set of commands. They are used in the same manner; however, unlike standard commands, extended commands are not limited to 2-byte words. The number of command bytes for a given extended command ranges in size from single to multiple bytes, as specified in [Table 8](#). For details on the SEALED and UNSEALED states, see [ACCESS MODES](#).

Table 8. Extended Commands

NAME		COMMAND CODE	UNITS	SEALED ACCESS ⁽¹⁾ (2)	UNSEALED ACCESS ⁽¹⁾ (2)
Reserved	RSVD	0x38...0x39	N/A	R	R
<i>PackConfig()</i>	PCR	0x3A / 0x3B	HEX#	R	R
<i>DesignCapacity()</i>	DCAP	0x3C / 0x3D	mAh	R	R
<i>DataFlashClass()</i> ⁽²⁾	DFCLS	0x3E	N/A	N/A	R/W
<i>DataFlashBlock()</i> ⁽²⁾	DFBLK	0x3F	N/A	R/W	R/W
<i>BlockData()</i> / <i>Authenticate()</i> ⁽³⁾	A/DF	0x40...0x53	N/A	R/W	R/W
<i>BlockData()</i> / <i>AuthenticateChecksum()</i> ⁽³⁾	ACKS/DFD	0x54	N/A	R/W	R/W
<i>BlockData()</i>	DFD	0x55...0x5F	N/A	R	R/W
<i>BlockDataChecksum()</i>	DFDCKS	0x60	N/A	R/W	R/W
<i>BlockDataControl()</i>	DFDCNTL	0x61	N/A	N/A	R/W
Reserved	RSVD	0x62...0x69	N/A	R	R
<i>BatAlertConfig()</i>	BAC	0x6A/0x6B	N/A	R/W	R/W
<i>BatAlertStatus()</i>	BAS	0x6C/0x6D	N/A	R/W	R/W
Reserved	RSVD	0x6E...0x7F	N/A	R	R

(1) SEALED and UNSEALED states are entered via commands to *Control()* 0x00/0x01.

(2) In SEALED mode, data flash CANNOT be accessed through commands 0x3E and 0x3F.

(3) The *BlockData()* command area shares functionality for accessing general data flash and for using Authentication. See [AUTHENTICATION](#) for details.

PackConfig(): 0x3A/0x3B

SEALED and UNSEALED Access: This command returns the value stored in **Pack Configuration**, which is expressed in hex value.

DesignCapacity(): 0x3C/0x3D

SEALED and UNSEALED Access: This command returns the value stored in **Design Capacity**, which is expressed in mAh. This is intended to be the theoretical or nominal capacity of a new pack, but has no bearing on the operation of the gas gauge functionality.

DataFlashClass(): 0x3E

This command sets the data flash class to be accessed. The class to be accessed should be entered in hexadecimal.

SEALED Access: This command is not available in SEALED mode.

DataFlashBlock(): 0x3F

UNSEALED Access: This command sets the data flash block to be accessed. When 0x00 is written to *BlockDataControl()*, *DataFlashBlock()* holds the block number of the data flash to be read or written. Example: writing a 0x00 to *DataFlashBlock()* specifies access to the first 32-byte block, and a 0x01 specifies access to the second 32-byte block, and so on.

Reading Device Name in UNSEALED Mode

To read the **DeviceName** in UNSEALED mode, set the *BlockDataControl()* (command 0x61) to a 1. This is similar to how the manufacturer information block works. Since the Device Name is 20 bytes, the device name will be followed by null bytes.

SEALED Access: This command directs which data flash block will be accessed by the *BlockData()* command. Writing a 0x00 to *DataFlashBlock()* specifies the *BlockData()* command will transfer authentication data. Issuing a 0x01, 0x02, or 0x03 instructs the *BlockData()* command to transfer **Manufacturer Info Block A or B**, respectively.

Reading Device Name in SEALED Mode

To read the **DeviceName** when in SEALED mode, set the *DataFlashBlock()* (command 0x3F) to 0x05, and read the device name from the *BlockData()* commands.

In general, there will be at least 12 null characters because the data flash field is limited to 20 bytes and the SEALED mode block has 32 bytes of space.

BlockData(): 0x40...0x5F

This command range is used to transfer data for data flash class access. This command range is the 32-byte data block used to access **Manufacturer Info Block A or B**. **Manufacturer Info Block A** is read-only for the SEALED access. UNSEALED access is read/write.

BlockDataChecksum(): 0x60

The host system should write this value to inform the device that new data is ready for programming into the specified data flash class and block.

UNSEALED Access: This byte contains the checksum on the 32 bytes of block data read or written to data flash. The least-significant byte of the sum of the data bytes written must be complemented ($[255 - x]$ for x the 8-bit summation of the *BlockData()* (0x40 to 0x5F) on a byte-by-byte basis) before being written to 0x60.

SEALED Access: This byte contains the checksum for the 32 bytes of block data written to **Manufacturer Info Block A or B**. The least-significant byte of the sum of the data bytes written must be complemented ($[255 - x]$ for x the 8-bit summation of the *BlockData()* (0x40 to 0x5F) on a byte-by-byte basis) before being written to 0x60.

BlockDataControl(): 0x61

UNSEALED Access: This command is used to control data flash ACCESS mode. The value determines the data flash to be accessed. Writing 0x00 to this command enables *BlockData()* to access general data flash.

SEALED Access: This command is not available in SEALED mode.

Reserved(): 0x62...0x69

Reserved.

BatAlertConfig(): 0x6A/0x6B

The *BatAlertConfig()* register can be written to set which faults, once detected, will trigger an Alert. The data flash value for *BatAlertConfig()* is used to initialize this value.

Table 9. BatAlertConfig() Definitions

High Byte	Bit 15	Bit 14	Bit 13	Bit 12	Bit 11	Bit 10	Bit 9	Bit 8
BatAlertConfig()	UTC_EN	UTD_EN	RSVD	RSVD	RSVD	RSVD	RSVD	RSVD

Low Byte	Bit 7	Bit 6	Bit 5	Bit 4	Bit 3	Bit 2	Bit 1	Bit 0
BatAlertConfig()	OTC_EN	OTD_EN	BATHI_EN	BATLO_EN	RSVD	SOC1_EN	OCC_EN	OCD_EN

UTC_EN = Enables alert for Over Temperature Charge Current when set to 1. Default is 1.

UTD_EN = Enables alert for Over Temperature Discharge Current when set to 1. Default is 1.

RSVD = Reserved. Default = 0.

OTC_EN = Enables alert for Over Temperature Charge Current when set to 1. Default is 1.

OTD_EN = Enables alert for Over Temperature Discharge Current when set to 1. Default is 1.

BATHI_EN= Enables alert for Battery High Condition when set to 1. Default is 0.

BATLO_EN = Enables alert for Battery Low Condition when set to 1. Default is 0.

RSVD = Reserved. Default = 0.

SOC1_EN = Enables alert for State-of-Charge-Threshold 1 (SOC1 Set) reached. True when set. Default is 1.

OCC_EN = Enables alert for Over Current Charge Condition when set to 1. Default is 0.

OCD_EN= Enables alert for Over Current DISCHARGE Condition when set to 1. Default is 0.

BatAlertStatus(): 0x6C/0x6D

The *BatAlertStatus()* register allows reading the safety conditions that triggered the alert. If the Pack Configuration [CLR_READ] is set to 1, *BatAlertStatus()* will be reset, and the alert assertion removed immediately. Otherwise, the *BatAlertStatus()* flags will clear only after the safety flag has reset, and the alert assertion clears once all flags in *BatAlertStatus()* have cleared.

Table 10. BatAlertStatus() Definitions

High Byte	Bit 15	Bit 14	Bit 13	Bit 12	Bit 11	Bit 10	Bit 9	Bit 8
BatAlertStatus()	UTC	UTD	RSVD	RSVD	RSVD	RSVD	RSVD	RSVD

Low Byte	Bit 7	Bit 6	Bit 5	Bit 4	Bit 3	Bit 2	Bit 1	Bit 0
BatAlertStatus()	OTC	OTD	BATHI	BATLO	RSVD	SOC1	OCC	OCD

The following functions can be detected for fault conditions when set in the BatAlert Configuration register. The fault can be indicated on Alert pin (if configured) but *not* differentiated because of the OR logic.

UTC = Detected Under Temperature Charge Current when set to 1.

UTD = Detected Under Temperature Discharge Current when set to 1.

RSVD = Reserved. Default = 0.

OTC = Detected Over Temperature Charge Current when set to 1.

OTD = Detected Over Temperature Discharge Current when set to 1.

BATHI= Detected Battery High Condition when set to 1.

BATLO = Detected Battery Low Condition when set to 1.

RSVD = Reserved. Default = 0.

SOC1 = Detected State-of-Charge-Threshold 1 (SOC1 Set) reached.

OCC = Detected Over Current Charge Condition when set to 1.

OCD= Detected Over Current DISCHARGE Condition when set to 1.

Reserved – 0x6E–0x7F

DATA FLASH INTERFACE

ACCESSING THE DATA FLASH

The bq28z560-R1 data flash is a non-volatile memory that contains initialization, default, cell status, calibration, configuration, and user information. The data flash can be accessed in several different ways, depending on in which mode the bq28z560-R1 is operating and what data is being accessed.

Commonly accessed data flash memory locations frequently read by a system are conveniently accessed through specific instructions, as described in [DATA COMMANDS](#). These commands are available when the bq28z560-R1 is either in UNSEALED or SEALED mode.

Most data flash locations, however, are only accessible in UNSEALED mode by use of the bq28z560-R1 evaluation software or by data flash block transfers. These locations should be optimized and/or fixed during the development and manufacture processes. They become part of a golden image file and can then be written to multiple battery packs. Once established, the values generally remain unchanged during end-equipment operation.

To access data flash locations individually, the block containing the desired data flash location(s) must be transferred to the command register locations where they can be read to the system or changed directly. This is accomplished by sending the set-up command *BlockDataControl()* (0x61) with data 0x00. Up to 32 bytes of data can be read directly from the *BlockData()* (0x40...0x5F), externally altered, then rewritten to the *BlockData()* command space. Alternatively, specific locations can be read, altered, and rewritten if their corresponding offsets are used to index into the *BlockData()* command space. Finally, the data residing in the command space is transferred to data flash once the correct checksum for the whole block is written to *BlockDataChecksum()* (0x60).

Occasionally, a data flash CLASS will be larger than the 32-byte block size. In this case, the *DataFlashBlock()* command is used to designate which 32-byte block the desired locations reside. The correct command address is then given by $0x40 + \text{offset} \bmod 32$. For example, to access **Terminate Voltage** in the *Gas Gauging* class, *DataFlashClass()* is issued 80 (0x50) to set the class. Because the offset is 67, it must reside in the third 32-byte block. Hence, *DataFlashBlock()* is issued 0x02 to set the block offset, and the offset used to index into the *BlockData()* memory area is $0x40 + 67 \bmod 32 = 0x40 + 16 = 0x40 + 0x03 = 0x43$.

Reading and writing subclass data are block operations up to 32 bytes in length. If the data length exceeds the maximum block size during a write, then the data is ignored.

NOTE

None of the data written to memory is bounded by the bq28z560-R1: The values are not rejected by the gas gauge. Writing an incorrect value may result in hardware failure due to firmware program interpretation of the invalid data. The written data is persistent, so a power-on reset does not resolve the fault.

FUNCTIONAL DESCRIPTION

FUEL GAUGING

The bq28z560-R1 measures the cell voltage, temperature, and current to determine the battery SOC based on the Impedance Track algorithm (refer to the *Theory and Implementation of Impedance Track Battery Fuel-Gauging Algorithm* Application Report [SLUA450] for more information). The bq28z560-R1 monitors charge and discharge activity by sensing the voltage across a small-value resistor (5 mΩ to 20 mΩ typ.) between the SRP and SRN pins and in series with the cell. By integrating charge passing through the battery, the battery's SOC is adjusted during battery charge or discharge.

The total battery capacity is found by comparing states of charge before and after applying the load with the amount of charge passed. When an application load is applied, the impedance of the cell is measured by comparing the OCV obtained from a predefined function for present SOC with the measured voltage under load. Measurements of OCV and charge integration determine chemical state of charge and chemical capacity (Qmax). The initial Qmax values are taken from a cell manufacturers' data sheet multiplied by the number of parallel cells. It is also used for the value in **Design Capacity**. The bq28z560-R1 acquires and updates the battery-impedance profile during normal battery usage. It uses this profile, along with SOC and the Qmax value, to determine *FullChargeCapacity()* and *StateOfCharge()*, specifically for the present load and temperature. *FullChargeCapacity()* is reported as capacity available from a fully charged battery under the present load and temperature until *Voltage()* reaches **Terminate Voltage**. *NominalAvailableCapacity()* and *FullAvailableCapacity()* are the uncompensated (no or light load) versions of *RemainingCapacity()* and *FullChargeCapacity()*, respectively.

The bq28z560-R1 has two flags accessed by the *Flags()* function that warn when the battery's SOC has fallen to critical levels. When *RemainingCapacity()* falls below the first capacity threshold specified in **SOC1 Set Threshold**, the [SOC1] (*State of Charge Initial*) flag is set. The flag is cleared once *RemainingCapacity()* rises above **SOC1 Clear Threshold**. All units are in mAh.

When *RemainingCapacity()* falls below the second capacity threshold (**SOCF Set Threshold**), the [SOCF] (*State of Charge Final*) flag is set, serving as a final discharge warning. If **SOCF Set Threshold** = -1, the flag is inoperative during discharge. Similarly, when *RemainingCapacity()* rises above **SOCF Clear Threshold** and the [SOCF] flag has already been set, the [SOCF] flag is cleared. All units are in mAh.

The bq28z560-R1 has two additional flags accessed by the *Flags()* function that warn of internal battery conditions. The gas gauge monitors the cell voltage during relaxed conditions to determine if an internal short has been detected. When this condition occurs, [ISD] will be set. The bq28z560-R1 also has the capability to detect when a tab is disconnected in a 2-cell parallel system by actively monitoring the SOH. When this condition occurs, [TDD] will be set.

IMPEDANCE TRACK VARIABLES

The bq28z560-R1 has several data flash variables that permit the user to customize the Impedance Track algorithm for optimized performance. These variables are dependent upon the power characteristics of the application as well as the cell itself.

LOAD Mode

LOAD mode is used to select either the CONSTANT CURRENT mode or CONSTANT POWER mode for the Impedance Track algorithm as used in **Load Select** (see **Load Select**). When LOAD mode is 0, the CONSTANT CURRENT mode is used (default). When LOAD mode is 1, CONSTANT POWER mode is used. The [LDMD] bit of CONTROL_STATUS reflects the status of LOAD mode.

Load Select

Load Select defines the type of power or current mode to be used to compute load-compensated capacity in the Impedance Track algorithm. If LOAD mode = 0 (*Constant Current*), then the options presented in [Table 11](#) are available.

Table 11. CONSTANT CURRENT Mode Used when LOAD Mode = 0

LoadSelect Value	Current Mode Used
0	Average discharge current from previous cycle. There is an internal register that records the average discharge current through each entire discharge cycle. The previous average is stored in this register.
1 (default)	Present average discharge current. This is the average discharge current from the beginning of this discharge cycle until present time.
2	Average current: based off the <i>AverageCurrent()</i>
3	Current: based off of a low-pass-filtered version of <i>AverageCurrent()</i> ($\tau = 14$ s)
4	Design capacity / 5: C Rate based off of Design Capacity /5 or a C / 5 rate in mA
5	Use the value specified by <i>AtRate()</i>
6	Use the value in <i>User_Rate-mA</i> . This provides a completely user-configurable method.

If **LOAD mode** = 1 (*Constant Power*), then the following options are available:

Table 12. CONSTANT POWER Mode Used When LOAD Mode = 1

LoadSelect Value	Power Mode Used
0 (default)	Average discharge power from the previous cycle. There is an internal register that records the average discharge power through each entire discharge cycle. The previous average is stored in this register.
1	Present average discharge power. This is the average discharge power from the beginning of this discharge cycle until the present time.
2	Average current x voltage: based off the <i>AverageCurrent()</i> and <i>Voltage()</i>
3	Current x voltage: based off of a low-pass-filtered version of <i>AverageCurrent()</i> ($\tau = 14$ s) and <i>Voltage()</i>
4	Design energy / 5: C Rate based off of Design Energy /5 or a C / 5 rate in mA
5	Use the value specified by <i>AtRate()</i>
6	Use the value in <i>User_Rate-mW/cW</i> . This provides a completely user- configurable method.

Reserve Cap-mAh

Reserve Cap-mAh determines how much actual remaining capacity exists after reaching 0 *RemainingCapacity()*, before **Terminate Voltage** is reached. A loaded rate or no-load rate of compensation can be selected for *Reserve Cap* by setting the [RESCAP] bit in the Pack Configuration register.

Reserve Cap-mWh/cWh

Reserve Cap-mWh determines how much actual remaining capacity exists after reaching 0 *AvailableEnergy()*, before **Terminate Voltage** is reached. A loaded rate or no-load rate of compensation can be selected for *Reserve Cap* by setting the [RESCAP] bit in the Pack Configuration register.

Design Energy Scale

Design Energy Scale is used to select the scale/unit of a set of data flash parameters. The value of **Design Energy Scale** can be either 1 or 10 only.

Table 13. Data Flash Parameter Scale/Unit-Based on Design Energy Scale

Data Flash	Design Energy Scale = 1 (default)	Design Energy Scale = 10
<i>Design Energy</i>	mWh	cWh
<i>Reserve Capacity –mWh/cWh</i>	mWh	cWh
<i>Avg Power Last Run</i>	mW	cW
<i>User Rate-mW/cW</i>	mWh	cWh
<i>T Rise</i>	No Scale	Scaled by x10

Dsg Current Threshold

This register is used as a threshold by many functions in the bq28z560-R1 to determine if actual discharge current is flowing into or out of the cell. The default for this register should be sufficient for most applications. This threshold should be set low enough to be below any normal application load current but high enough to prevent noise or drift from affecting the measurement.

Chg Current Threshold

This register is used as a threshold by many functions in the bq28z560-R1 to determine if actual charge current is flowing into or out of the cell. The default for this register should be sufficient for most applications. This threshold should be set low enough to be below any normal charge current but high enough to prevent noise or drift from affecting the measurement.

Quit Current, Dsg Relax Time, Chg Relax Time, and Quit Relax Time

The **Quit Current** is used as part of the Impedance Track algorithm to determine when the bq28z560-R1 enters RELAX mode from a current flowing mode in either the charge direction or the discharge direction. The value of Quit Current is set to a default value that should be above the standby current of the system.

Either of the following criteria must be met to enter RELAX mode:

1. $|AverageCurrent()| < |Quit\ Current|$ for **Dsg Relax Time**.
2. $|AverageCurrent()| < |Quit\ Current|$ for **Chg Relax Time**.

After about 6 minutes in RELAX mode, the bq28z560-R1 attempts to take accurate OCV readings. An additional requirement of $dV/dt < 4\ \mu V/s$ is required for the bq28z560-R1 to perform Qmax updates. These updates are used in the Impedance Track algorithms. It is critical that the battery voltage be relaxed during OCV readings and that the current is not higher than C/20 when attempting to go into RELAX mode.

Quit Relax Time specifies the minimum time required for *AverageCurrent()* to remain above the **QuitCurrent** threshold before exiting RELAX mode.

Qmax

Qmax contains the maximum chemical capacity of the active cell profiles, and is determined by comparing states of charge before and after applying the load with the amount of charge passed. They also correspond to capacity at a low rate of discharge, such as C/20 rate. For high accuracy, this value is periodically updated by the bq28z560-R1 during operation. Based on the battery cell capacity information, the initial value of chemical capacity should be entered in the **Qmax** field. The Impedance Track algorithm updates this value and maintains it in the **Pack** profile.

Update Status

The Update Status register indicates the status of the Impedance Track algorithm.

Table 14. Update Status Definitions

UPDATE STATUS	STATUS
0x02	Qmax and Ra data are learned, but Impedance Track is not enabled. This should be the standard setting for a golden image.
0x04	Impedance Track is enabled but Qmax and Ra data are not learned.
0x05	Impedance Track is enabled and only Qmax has been updated during a learning cycle.
0x06	Impedance Track is enabled. Qmax and Ra data are learned after a successful learning cycle. This should be the operation setting for end equipment.

This register should only be updated by the bq28z560-R1 during a learning cycle or when *IT_ENABLE()* subcommand is received. Refer to the application note *How to Generate Golden Image for a Single-Cell Impedance Track™ Device* (SLUA544) for learning cycle details.

Avg I Last Run

The bq28z560-R1 logs the current averaged from the beginning to the end of each discharge cycle. It stores this average current from the previous discharge cycle in this register. This register should never need to be modified. It is only updated by the bq28z560-R1 when required.

Avg P Last Run

The bq28z560-R1 logs the power averaged from the beginning to the end of each discharge cycle. It stores this average power from the previous discharge cycle in this register. To get a correct average power reading, the bq28z560-R1 continuously multiplies instantaneous current times *Voltage()* to get power. It then logs this data to derive the average power. This register should never need to be modified. It is only updated by the bq28z560-R1 when required.

Delta Voltage

The bq28z560-R1 stores the maximum difference of *Voltage()* during short load spikes and normal load, so the Impedance Track algorithm can calculate remaining capacity for pulsed loads.

NOTE

It is not recommended to change this value.

Ra Tables and Ra Filtering Related Parameters

These tables contain encoded data and are automatically updated during device operation. The bq28z560-R1 has a filtering process to eliminate unexpected fluctuations in Ra values while the Ra values are being updated. The DF parameters RaFilter, RaMaxDelta, MaxResfactor, and MinResfactor control the Filtering process of Ra values. RaMaxDelta Limits the change in Ra values to an absolute magnitude. MinResFactor and MaxResfactor parameters are cumulative filters that limit the change in Ra values to a scale on a per discharge cycle basis. These values are data flash configurable. No further user changes should be made to Ra values except for reading/writing the values from a pre-learned pack (part of the process for creating golden image files).

MaxScaleBackGrid

The MaxScaleBackGrid parameter limits the resistance grid point after which back scaling will not be performed. This variable ensures that the resistance values in the lower resistance grid points remain accurate while the battery is at a higher DoD state.

Max DeltaV, Min DeltaV

This is the Maximal/Minimal value allowed for delta V, which will be subtracted from simulated voltage during remaining capacity simulation.

Qmax Max Delta %

This is the maximal change of Qmax during one update, as a percentage of Design Capacity. If the gauge attempts to change the Qmax value and this delta change value exceeds the Qmax Max delta % limit, the change value will be capped to the old value \pm DesignCapacity \times QmaxMaxDelta/100.

Fast Resistance Scaling

This new algorithm improves convergency of Remaining Capacity and terminates voltage at end of discharge. The algorithm is enabled when cell voltage goes below (Terminate Voltage + Term V Delta) or *StateofCharge()* goes below Fast Scale Start SOC. For most applications, the default value of Term V Delta and Fast Scale Start SOC are recommended.

DeltaV Max Delta

This is the maximal change of the Delta V value. If an attempted change of the value exceeds this limit, the change value will be capped to the old value \pm DeltaV Max Delta.

Lifetime Data Logging Parameters

NOTE

IT_ENABLE must be enabled (Command 0x0021) for Lifetime Data logging functions to be active.

The Lifetime Data logging function helps development and diagnosis with the bq28z560-R1. The bq28z560-R1 device logs the Lifetime Data as specified in the **Lifetime Data** and **Lifetime Temp Samples** data flash subclasses. The data log recordings are controlled by the **Lifetime Resolution** data flash subclass.

The Lifetime Data Logging can be started by setting the IT_ENABLE bit and setting the Update Time register to a non-zero value.

Once the Lifetime Data Logging function is enabled, the measured values are compared to what is already stored in the data flash. If the measured value is higher than the maximum or lower than the minimum value stored in the data flash by more than the **Resolution** set for at least one parameter, the entire data flash Lifetime registers are updated after at least LTUpdateTime.

LTUpdateTime sets the minimum update time between DF writes. When a new max/min is detected, an LT Update window of 60 seconds is enabled and the DF writes occur at the end of this window. Any additional max/min value detected within this window will also be updated. The first new max/min value detected after this window will trigger the next LT Update window.

Internal to bq28z560-R1 is a RAM max/min table in addition to the DF max/min table. The RAM table is updated independent of the resolution parameters. The DF table is updated only if at least one of the RAM parameters exceeds the DF value by more than the resolution associated with it. When DF is updated, the entire RAM table is written to DF. Consequently, it is possible to see a new max/min value for a certain parameter even if the value of this parameter never exceeds the maximum or minimum value stored in the data flash for this parameter value by the resolution amount.

The Lifetime Data Logging of one or more parameters can be reset or restarted by writing new default (or starting) values to the corresponding data flash registers through sealed or unsealed access as described below. However, when using unsealed access, new values will only take effect after device reset.

The logged data can be accessed as R/W in UNSEALED mode from the Lifetime Data SubClass (SubClass ID=59) of data flash. Lifetime Data may be accessed (R/W) when sealed using a process identical in Manufacturer Info Block B and C. The DataFlashBlock command code is 4.

NOTE

Only the first 32 bytes of Lifetime Data (not resolution parameters) can be R/W when sealed. See [MANUFACTURER INFORMATION BLOCKS](#) for sealed access.

The logging settings such as Temperature Resolution, Voltage Resolution, Current Resolution, and Update Time can be configured only in UNSEALED mode by writing to the Lifetime Resolution subclass (SubClassID=66) of the data flash.

The Lifetime resolution registers contain the parameters that set the limits related to how much a data parameter must exceed the previously logged Max/Min value to be updated in the lifetime log. For example, V must exceed MaxV by more than Voltage Resolution to update MaxV in the data flash.

DETAILED CONFIGURATION REGISTER DESCRIPTIONS

The Pack Configuration Register

Some bq28z560-R1 pins are configured via the **Pack Configuration** data flash register, as indicated in [Table 15](#). This register is programmed/read via the methods described in [ACCESSING THE DATA FLASH](#). The register is located at subclass = 64, offset = 0.

Table 15. Pack Configuration Bit Definition

	Bit 7	Bit 6	Bit 5	Bit 4	Bit 3	Bit 2	Bit 1	Bit 0
High Byte	RESCAP	CalEn	RSVD	RSVD	RSVD	IWAKE	RSNS1	RSNS0
Low Byte	GNDSEL	RESFACTSTEP	SLEEP	RMFCC	CLR_READ	ALRT_POL	RSVD	TEMPS

- RESCAP = No-load rate of compensation is applied to the reserve capacity calculation. True when set. Default is 0.
- CalEn = bq28z560-R1 CALIBRATION mode is enabled. Default is 0.
- RSVD = Reserved. Default = 0
- RSVD = Reserved. Default = 0.
- RSVD = Reserved. Default = 0.
- GNDSEL = The ADC ground select control. The V_{SS} (Pin 6) is selected as ground reference when the bit is clear. Pin 7 is selected when the bit is set. Default is 0.
- IWAKE/RSNS1/RSNS0 = These bits configure the current wake function. Default is 0/0/1.
- GNDSEL = The ADC ground select control. The V_{SS} (Pin 6) is selected as ground reference when the bit is clear. Pin 7 is selected when the bit is set. Default is 0.
- ResFactStep = Enables Ra step up/down to Max/Min Res Factor before disabling Ra updates. Default is 1.
- SLEEP = The gas gauge can enter sleep, if operating conditions allow. True when set. Default is 1.
- RMFCC = RM is updated with the value from FCC, on valid charge termination. True when set. Default is 1.
- CLR_READ = Clear on Read the Fault Flag register. True when set. Default = 0.
- ALRT_POL = Set polarity of Alert output. Set to 1 means active high, so any faults detected will change output from low to high. Default = 0, which means any fault detected will change output from high to low.
- RSVD = Reserved. Default = 0.
- TEMPS = Selects external thermistor for *Temperature()* measurements. True when set. Default is 1.

Pack Configuration B Register

Some bq28z560-R1 pins are configured via the **Pack Configuration B** data flash register, as indicated in [Table 16](#). This register is programmed/read via the methods described in [ACCESSING THE DATA FLASH](#). The register is located at subclass = 64, offset = 2.

Table 16. Pack Configuration B Bit Definition

Bit 7	Bit 6	Bit 5	Bit 4	Bit 3	Bit 2	Bit 1	Bit 0
ChgDoDEoC	SE_TDD	VconsEN	SE_ISD	JEITA	LFPRelax	DoDWT	FConvEn

- ChgDoDEoC = Enable DoD at EoC during charging only. True when set. Default is 1. Default setting is recommended.
- SE_TDD = Enable Tab Disconnection Detection. True when set. Default is 1.
- VconsEN = Enable voltage consistency check. True when set. Default is 1. Default setting is recommended.
- SE_ISD = Enable Internal Short Detection. True when set. Default is 1.
- JEITA = Enable JEITA Temperature Charging function. True when set. Default is 1.
- LFPRelax = Enable LiFePO4 long RELAX mode when chemical ID 400 series is selected. True when set. Default is 1.
- DoDWT = Enable Dod weighting for LiFePO4 support when chemical ID 400 series is selected. True when set. Default is 1.
- FConvEn = Enable fast convergence algorithm. Default is 1. Default setting is recommended.

Pack Configuration C Register

Some bq28z560-R1 algorithm settings are configured via the **Pack Configuration C** data flash register, as indicated in [Table 17](#). This register is programmed/read via the methods described in [ACCESSING THE DATA FLASH](#). The register is located at subclass = 64, offset = 3.

Table 17. Pack Configuration C Bit Definition

Bit 7	Bit 6	Bit 5	Bit 4	Bit 3	Bit 2	Bit 1	Bit 0
RSVD	RSVDSBS	PIN12F1	PIN12F0	SleepWakeChg	ChgFetTerm	CFET_INIT	DFET_INIT

- RSVD = Reserved. Default = 0.
- RSVDSBS = Reserved for SBS command set. True when set. Default is 0.
- PIN12F1 = In combination with PIN12F0 will set the operation mode of pin 12 (see below).
- PIN12F0 = In combination with PIN12F1 will set the operation mode of pin 12 (see below).

- SleepWakeChg = If set to 1 will accumulate the charge as if it was active for 10 s (instead of 20 s).
- ChgFetTerm = If set, the CHG FET is turned OFF on detecting primary charge termination. The CHG FET is allowed to turn back ON again when RSOC < TCA Clear %.
- CFET_INIT= Sets initial state of CHG FET at reset condition. 0 = CHG FET OFF, 1 = CHG FET ON.
- DFET_INIT= Sets initial state of DSG FET at reset condition. 0 = DSG FET OFF, 1 = DSG FET ON.

PIN12F1	PIN12F0	State
0	0	NC or HDQ (default)
0	1	CHG FET
1	0	Bat Alert
1	1	RSVD

Battery Alert Default Configuration Register

When the system is configured as an interrupt indication, the bq28z560-R1 allows settings to be configured based on which faults are OR'ed for indication on the Alert output [Table 18](#). This register is programmed/read via the methods described in [ACCESSING THE DATA FLASH](#). The register is located at subclass = 64, offset = 4.

Table 18. Battery Alert Default Configuration Bit Definition

Bit 15	Bit 14	Bit 13	Bit 12	Bit 11	Bit 10	Bit 9	Bit 8
UTC_EN	UTD_EN	RSVD	RSVD	RSVD	RSVD	RSVD	RSVD

Bit 7	Bit 6	Bit 5	Bit 4	Bit 3	Bit 2	Bit 1	Bit 0
OTC_EN	OTD_EN	BH_EN	BL_EN	RSVD	SOC1_EN	OCC_EN	OCD_EN

- UTC_EN = Allows detection of Under Temperature Charging when set to 1. Default is 0.
- UTD_EM = Allows detection of Under Temperature Discharging when set to 1. Default is 0.
- RSVD = Reserved. Default = 0.
- OTC_EN = Allows detection of Over Temperature Charging when set to 1. Default is 0.
- OTD_EN = Allows detection of Over Temperature Discharging when set to 1. Default is 0.
- BH_EN = Allows detection of Battery High when set to 1. Default is 0.
- BL_EN = Allows detection of Battery Low when set to 1. Default is 0.
- RSVD = Reserved. Default = 0.
- SOC1_EN Allows detection of SOC low when set to 1. Default is 0.
- OCC_EN = Allows detection of Overcurrent in CHARGE mode when set to 1. Default is 0.
- OCD_EN = Allows detection of Over Current in Discharge mode when set to 1. Default is 0.

NOTE

Important: The enable flags (Bits 7 to 4) are the reset values. Changing the data flash will *not* take effect until the gas gauge is re-started. Read/Write of the BatAlert_Configuration I²C data controls the runtime alert mask.

MANUFACTURER INFORMATION BLOCKS

The bq28z560-R1 contains 64 bytes of user-programmable data flash storage: **Manufacturer Info Block A** and **Manufacturer Info Block B**. The method for accessing these memory locations is slightly different, depending on whether the device is in UNSEALED or SEALED modes.

When in UNSEALED mode and when 0x00 has been written to *BlockDataControl()*, accessing the Manufacturer Info Blocks is identical to accessing general data flash locations. First, a *DataFlashClass()* command is used to set the subclass, then a *DataFlashBlock()* command sets the offset for the first data flash address within the subclass. The *BlockData()* command codes contain the referenced data flash data. When writing the data flash, a checksum is expected to be received by *BlockDataChecksum()*. Only when the checksum is received and verified is the data actually written to data flash.

As an example, the data flash location for **Manufacturer Info Block B** is defined as having a Subclass = 58 and an Offset = 32 through 63 (32 byte block). The specification of Class = System Data is not needed to address **Manufacturer Info Block B**, but is used instead for grouping purposes when viewing data flash info in the bq28z560-R1 evaluation software.

When in SEALED mode or when 0x01 *BlockDataControl()* does not contain 0x00, data flash is no longer available in the manner used in UNSEALED mode. Rather than issuing subclass information, a designated Manufacturer Information Block is selected with the *DataFlashBlock()* command. Issuing a 0x01, 0x02, or 0x03 with this command causes the corresponding information block (A, B, or C, respectively) to be transferred to the command space 0x40...0x5F for editing or reading by the system. Upon successful writing of checksum information to *BlockDataChecksum()*, the modified block is returned to data flash.

NOTE

Manufacturer Info Block A is read-only when in SEALED mode.

ACCESS MODES

The bq28z560-R1 provides three security modes (FULL ACCESS, UNSEALED, and SEALED) that control data flash access permissions according to [Table 19](#). *Data flash* refers to those data flash locations specified in [Table 20](#), that are accessible to the user. *Manufacturer Information* refers to the three 32-byte blocks.

Table 19. Data Flash Access

SECURITY MODE	DATA FLASH	MANUFACTURER INFORMATION
FULL ACCESS	R/W	R/W
UNSEALED	R/W	R/W
SEALED	None	R (A); R/W (B,C)

Although FULL ACCESS and UNSEALED modes appear identical, only FULL ACCESS mode allows the bq28z560-R1 to write access-mode transition keys.

SEALING/UNSEALING DATA FLASH

The bq28z560-R1 implements a key-access scheme to transition between SEALED, UNSEALED, and FULL ACCESS modes. Each transition requires that a unique set of two keys be sent to the bq28z560-R1 via the *Control()* command. The keys must be sent consecutively, with no other data being written to the Control register in between. Note that to avoid conflict, the keys must be different from the codes presented in the *CNTL DATA* column of [Table 4](#) subcommands.

When in SEALED mode, the [SS] bit of CONTROL_STATUS is set; but when the UNSEAL keys are correctly received by the bq28z560-R1, the [SS] bit is cleared. When the full-access keys are correctly received, the CONTROL_STATUS [FAS] bit is cleared.

Both **Unseal Key** and **Full-Access Key** have two words and are stored in data flash. The first word is Key 0 and the second word is Key 1. The order of the keys sent to bq28z560-R1 are Key 1 followed by Key 0. The order of the bytes for each key entered through the *Control()* command is the reverse of what is read from the part. For an example, if the Unseal Key is 0x56781234, key 1 is 0x1234 and key 0 is 0x5678. Then *Control()* should supply 0x3412 and 0x7856 to unseal the part. The **Unseal Key** and the **Full-Access Key** can only be updated when in FULL ACCESS mode.

DATA FLASH SUMMARY

Table 20 provides a summary of data flash locations available to the user, including their default, minimum, and maximum values.

Table 20. Data Flash Summary

Class	Subclass ID	Subclass	Offset	Name	Data Type	Min Value	Max Value	Default Value	Units (EVSW Units)*
Configuration	1	Safety Current	0	OC Chg	I2	0	20000	6000	mA
Configuration	1	Safety Current	2	OC Chg Time	U1	0	60	2	s
Configuration	1	Safety Current	3	OC Chg Recovery	I2	0	20000	200	mA
Configuration	1	Safety Current	5	OC Dsg	I2	-20000	0	-6000	mA
Configuration	1	Safety Current	7	OC Dsg Time	U1	0	60	2	s
Configuration	1	Safety Current	8	OC Dsg Recovery	I2	-20000	0	-200	mA
Configuration	1	Safety Current	10	Current Recovery Time	U1	0	255	8	s
Configuration	2	Safety Temperature	0	OT Chg	I2	0	1200	550	0.1°C
Configuration	2	Safety Temperature	2	OT Chg Time	U1	0	60	2	s
Configuration	2	Safety Temperature	3	OT Chg Recovery	I2	0	1200	500	0.1°C
Configuration	2	Safety Temperature	5	OT Dsg	I2	0	1200	600	0.1°C
Configuration	2	Safety Temperature	7	OT Dsg Time	U1	0	60	2	s
Configuration	2	Safety Temperature	8	OT Dsg Recovery	I2	0	1200	550	0.1°C
Configuration	2	Safety Temperature	10	UT Chg	I2	-400	1200	0	0.1°C
Configuration	2	Safety Temperature	12	UT Chg Time	U1	0	60	2	s
Configuration	2	Safety Temperature	13	UT Chg Recovery	I2	-400	1200	50	0.1°C
Configuration	2	Safety Temperature	15	UT Dsg	I2	-400	1200	0	0.1°C
Configuration	2	Safety Temperature	17	UT Dsg Time	U1	0	60	2	s
Configuration	2	Safety Temperature	18	UT Dsg Recovery	I2	-400	1200	50	0.1°C
Configuration	32	Charge Inhibit Cfg	0	Chg Inhibit Temp Low	I2	-400	1200	0	0.1°C
Configuration	32	Charge Inhibit Cfg	2	Chg Inhibit Temp High	I2	-400	1200	450	0.1°C
Configuration	32	Charge Inhibit Cfg	4	Temp Hys	I2	0	100	50	0.1°C
Configuration	33	Pre-Charge	0	Pre-Charge Voltage	I2	0	4600	3000	mV
Configuration	33	Pre-Charge	2	Pre-Charge Current	I2	0	32767	150	mA
Configuration	36	Charge Termination	0	Taper Current	I2	0	1000	100	mA
Configuration	36	Charge Termination	2	Min Taper Capacity	I2	0	1000	25	mAh
Configuration	36	Charge Termination	4	Taper Voltage	I2	0	1000	100	mV
Configuration	36	Charge Termination	6	Current Taper Window	U1	0	60	40	s
Configuration	36	Charge Termination	7	TCA Set %	I1	-1	100	99	%
Configuration	36	Charge Termination	8	TCA Clear %	I1	-1	100	95	%
Configuration	36	Charge Termination	9	FC Set %	I1	-1	100	100	%
Configuration	36	Charge Termination	10	FC Clear %	I1	-1	100	98	%
Configuration	36	Charge Termination	11	DODatEOC Delta T	I2	0	1000	100	0.1°C
Configuration	48	Data	0	Rem Cap Alarm	I2	0	700	100	mA
Configuration	48	Data	8	Initial Standby	I1	-256	0	-10	mA
Configuration	48	Data	9	Initial MaxLoad	I2	-32767	0	-500	mA
Configuration	48	Data	17	Cycle Count	U2	0	65535	0	num
Configuration	48	Data	19	CC Threshold	I2	100	32767	900	mAh
Configuration	48	Data	23	Design Capacity	I2	0	32767	1000	mA
Configuration	48	Data	25	Design Energy	I2	0	32767	5400	mWh/cWh
Configuration	48	Data	27	SOH Load I	I2	-32767	0	-400	mA
Configuration	48	Data	29	TDD SOH Percent	I1	0	100	90	%
Configuration	48	Data	30	TA CV T1-T2	U1	0	225	120	10 mV
Configuration	48	Data	31	TA CV T2-T3	U1	0	225	120	10 mV
Configuration	48	Data	32	TA CV T3-T4	U1	0	225	110	10 mV
Configuration	48	Data	33	TA CC T1-T2	U1	0	100	10	%
Configuration	48	Data	34	TA CC T2-T3	U1	0	100	50	%
Configuration	48	Data	35	TA CC T3-T4	U1	0	100	30	%
Configuration	48	Data	36	JEITA T1	I1	-128	127	0	°C
Configuration	48	Data	37	JEITA T2	I1	-128	127	10	°C

Table 20. Data Flash Summary (continued)

Class	Subclass ID	Subclass	Offset	Name	Data Type	Min Value	Max Value	Default Value	Units (EVSW Units)*
Configuration	48	Data	38	JEITA T3	I1	-128	127	45	°C
Configuration	48	Data	39	JEITA T4	I1	-128	127	55	°C
Configuration	48	Data	40	ISD Current	I2	0	32767	10	HourRate
Configuration	48	Data	42	ISD I Filter	U1	0	255	127	num
Configuration	48	Data	43	Min ISD Time	U1	0	255	7	Hour
Configuration	48	Data	44	Design Energy Scale	U1	0	255	1	num
Configuration	48	Data	45	Device Name	S21	x	x	bq28z560-R1	—
Configuration	49	Discharge	0	SOC1 Set Threshold	U2	0	65535	150	mAh
Configuration	49	Discharge	2	SOC1 Clear Threshold	U2	0	65535	175	mAh
Configuration	49	Discharge	4	SOCF Set Threshold	U2	0	65535	75	mAh
Configuration	49	Discharge	6	SOCF Clear Threshold	U2	0	65535	100	mAh
Configuration	49	Discharge	9	BL Set Volt Threshold	I2	0	16800	0	mV
Configuration	49	Discharge	11	BL Set Volt Time	U1	0	60	0	s
Configuration	49	Discharge	12	BL Clear Volt Threshold	I2	0000	16800	5	mV
Configuration	49	Discharge	14	BH Set Volt Threshold	I2	0	16800	4300	mV
Configuration	49	Discharge	16	BH Volt Time	U1	0	60	2	s
Configuration	49	Discharge	17	BH Clear Volt Threshold	I2	0000	16800	5	mV
Configuration	56	Manufacturer Data	0	Pack Lot Code	H2	0x0	0xffff	0x0	—
Configuration	56	Manufacturer Data	2	PCB Lot Code	H2	0x0	0xffff	0x0	—
Configuration	56	Manufacturer Data	4	Firmware Version	H2	0x0	0xffff	0x0	—
Configuration	56	Manufacturer Data	6	Hardware Revision	H2	0x0	0xffff	0x0	—
Configuration	56	Manufacturer Data	8	Cell Revision	H2	0x0	0xffff	0x0	—
Configuration	56	Manufacturer Data	10	DF Config Version	H2	0x0	0xffff	0x0	—
Configuration	57	Integrity Data	6	Static Chem DF Checksum	H2	0x0	0x7fff	0x0	—
System Data	58	Manufacturer Info	0–31	Block A [0–31]	H1	0x0	ff	0	—
System Data	58	Manufacturer Info	32–63	Block B [0–31]	H1	0x0	ff	0	—
Configuration	59	Lifetime Data	0	Lifetime Max Temp	I2	0	1400	300	0.1°C
Configuration	59	Lifetime Data	2	Lifetime Min Temp	I2	-600	1400	200	0.1°C
Configuration	59	Lifetime Data	4	Lifetime Max Pack Voltage	I2	0	32767	3200	mV
Configuration	59	Lifetime Data	6	Lifetime Min Pack Voltage	I2	0	32767	3500	mV
Configuration	59	Lifetime Data	8	Lifetime Max Chg Current	I2	-32767	32767	0	mA
Configuration	59	Lifetime Data	10	Lifetime Max Dsg Current	I2	-32767	32767	0	mA
Configuration	60	Lifetime Temp Samples	0	LT Flash Cnt	U2	0	65535	0	—
Configuration	64	Registers	0	Pack Configuration	H2	0x0	0xffff	0x0177	—
Configuration	64	Registers	2	Pack Configuration B	H1	0x0	0xff	0x1f	—
Configuration	64	Registers	3	Pack Configuration C	H1	0x0	0xff	0x0	—
Configuration	64	Registers	4	Battery Alert Default Configuration	H2	0x0	0xffff	c0c4	—
Configuration	66	Lifetime Resolution	0	LT Temp Res	U1	0	255	10	Num
Configuration	66	Lifetime Resolution	1	LT V Res	U1	0	255	25	Num
Configuration	66	Lifetime Resolution	2	LT Cur Res	U1	0	255	100	Num
Configuration	66	Lifetime Resolution	3	LT Update Time	U2	0	65535	60	Num
Configuration	68	Power	0	Flash Update OK Voltage	I2	0	4200	2800	mV
Configuration	68	Power	2	Sleep Current	I2	0	100	10	mA
Configuration	68	Power	11	Hibernate I	U2	0	700	8	mA
Configuration	68	Power	13	Hibernate V	U2	2400	3000	2550	mV
Configuration	68	Power	15	FS Wait	U1	0	255	0	s
Gas Gauging	80	IT Cfg	0	Load Select	U1	0	255	1	—
Gas Gauging	80	IT Cfg	1	Load Mode	U1	0	255	0	—
Gas Gauging	80	IT Cfg	21	Max Res Factor	U1	0	255	15	num
Gas Gauging	80	IT Cfg	22	Min Res Factor	U1	0	255	3	num
Gas Gauging	80	IT Cfg	25	Ra Filter	U2	0	1000	500	num
Gas Gauging	80	IT Cfg	67	Terminate Voltage	I2	2800	3700	3000	mV
Gas Gauging	80	IT Cfg	69	Term V Delta	I2	0	4200	200	mV
Gas Gauging	80	IT Cfg	72	ResRelax Time	U2	0	65534	200	s
Gas Gauging	80	IT Cfg	76	User Rate-mA	I2	2000	9000	0	mA

Table 20. Data Flash Summary (continued)

Class	Subclass ID	Subclass	Offset	Name	Data Type	Min Value	Max Value	Default Value	Units (EVSW Units)*
Gas Gauging	80	IT Cfg	78	User Rate-Pwr	I2	3000	14000	0	mW/cW
Gas Gauging	80	IT Cfg	80	Reserve Cap-mAh	I2	0	9000	0	mA
Gas Gauging	80	IT Cfg	82	Reserve Energy	I2	0	14000	0	mWh/cWh
Gas Gauging	80	IT Cfg	86	Max Scale Back Grid	U1	0	15	4	—
Gas Gauging	80	IT Cfg	87	Max DeltaV	U2	0	65535	200	mV
Gas Gauging	80	IT Cfg	89	Min DeltaV	U2	0	65535	0	mV
Gas Gauging	80	IT Cfg	91	Max Sim Rate	U1	0	255	2	C/rate
Gas Gauging	80	IT Cfg	92	Min Sim Rate	U1	0	255	20	C/rate
Gas Gauging	80	IT Cfg	93	Ra Max Delta	U2	0	65535	44	mΩ
Gas Gauging	80	IT Cfg	95	Qmax Max Delta %	U1	0	100	5	mAh
Gas Gauging	80	IT Cfg	96	DeltaV Max Delta	U2	0	65535	10	mV
Gas Gauging	80	IT Cfg	102	Fast Scale Start SOC	U1	0	100	10	%
Gas Gauging	80	IT Cfg	103	Charge Hys Voltage Shift	I2	0	2000	40	mV
Gas Gauging	81	Current Thresholds	0	Dsg Current Threshold	I2	0	2000	60	mA
Gas Gauging	81	Current Thresholds	2	Chg Current Threshold	I2	0	2000	75	mA
Gas Gauging	81	Current Thresholds	4	Quit Current	I2	0	1000	40	mA
Gas Gauging	81	Current Thresholds	6	Dsg Relax Time	U2	0	8191	60	s
Gas Gauging	81	Current Thresholds	8	Chg Relax Time	U1	0	255	60	s
Gas Gauging	81	Current Thresholds	9	Quit Relax Time	U1	0	63	1	s
Gas Gauging	81	Current Thresholds	10	Max IR Correct	U2	0	1000	400	mV
Gas Gauging	82	State	0	Qmax Cell 0	I2	0	32767	1000	mAh
Gas Gauging	82	State	2	Cycle Count	U2	0	65535	0	num
Gas Gauging	82	State	4	Update Status	H1	0x0	0x6	0x0	—
Gas Gauging	82	State	5	V at Chg Term	I2	0	5000	4200	mV
Gas Gauging	82	State	7	Avg I Last Run	I2	-32768	32767	-299	mA
Gas Gauging	82	State	9	Avg P Last Run	I2	-32768	32767	-1131	mA
Gas Gauging	82	State	11	Delta Voltage	I2	-32768	32767	2	mV
Gas Gauging	82	State	15	T Rise	I2	0	32767	0	Num
Gas Gauging	82	State	17	T Time Constant	I2	0	32767	32767	Num
OCV Table	83	OCVa Table	0	Chem ID	H2	0x0	0xffff	0x0107	—
Ra Table	88	R_a0	0	Cell0 R_a flag	H2	0x0	0x0	0xff55	—
Ra Table	88	R_a0	2-30	Cell0 R_a 0-14	I2	183	183	105	2 ⁻¹⁰ Ω
Ra Table	89	R_a0x	0	xCell0 R_a flag	H2	0xffff	0xffff	0xffff	—
Ra Table	89	R_a0x	2-30	xCell0 R_a 0-14	I2	183	183	105	2 ⁻¹⁰ Ω
Calibration	104	Data	0	CC Gain	F4	1.0e-1	4.0e+1	0.4768	num
Calibration	104	Data	4	CC Delta	F4	2.9826e+4	1.193046e+6	5677445.6	num
Calibration	104	Data	8	CC Offset	I2	-32768	32767	-1200	num
Calibration	104	Data	10	Board Offset	I1	-128	127	0	num
Calibration	104	Data	11	Int Temp Offset	I1	-128	127	0	num
Calibration	104	Data	12	Ext Temp Offset	I1	-128	127	0	num
Calibration	104	Data	13	Pack V Offset	I1	-128	127	0	mV
Calibration	107	Current	1	Deadband	U1	0	255	5	mA
Security	112	Codes	0	Sealed to Unsealed	H4	0x0	0xffffffff	0x36720414	—
Security	112	Codes	4	Unsealed to Full	H4	0x0	0xffffffff	0xffffffff	—
Security	112	Codes	8	Authen Key3	H4	0x0	0xffffffff	0x01234567	—
Security	112	Codes	12	Authen Key2	H4	0x0	0xffffffff	0x89abcdef	—
Security	112	Codes	16	Authen Key1	H4	0x0	0xffffffff	0xfedcba98	—
Security	112	Codes	20	Authen Key0	H4	0x0	0xffffffff	0x76543210	—

CHARGING AND CHARGE TERMINATION INDICATION

Detection Charge Termination

For proper bq28z560-R1 operation, the cell charging voltage must be specified by the user. The default value for this variable is in the data flash **Charging Voltage**.

The bq28z560-R1 detects charge termination when:

The battery current drops below the **Taper Current** for two consecutive **Current Taper Window** time periods during charging AND battery voltage is equal to or higher than the **Charging Voltage – Taper Voltage**. Full Charge is set when the taper condition is met.

Charge Inhibit

The bq28z560-R1 can indicate when battery temperature has fallen below or risen above predefined thresholds **Charge Inhibit Temp Low** or **Charge Inhibit Temp High**. In this mode, the CHG_FET bit is set in the Control register to indicate this condition, and is returned to its low state once battery temperature returns to the range [**Charge Inhibit Temp Low + Temp Hys, Charge Inhibit Temp High – Temp Hys**]. This is implemented to indicate that an action is required by the battery charger.

The charging should not start when the temperature is below the **Charge Inhibit Temp Low** or above the **Charge Inhibit Temp High**.

The charge FET should not turn off when Temp > Chg Inhibit Temp during charging .

The gas gauge will enter CHARGE INHIBIT mode only if it is in DISCHARGE mode or RELAX mode and Temp > Chg Inhibit Low. Then it will set the Charging Current and Charging Voltage values to 0.

POWER MODES

The bq28z560-R1 has four power modes: NORMAL, SLEEP, HIBERNATE, and SHUTDOWN. In NORMAL mode, the bq28z560-R1 is fully powered and can execute any allowable task. In SLEEP mode, the gas gauge exists in a reduced-power state, periodically taking measurements and performing calculations. In HIBERNATE mode, the gas gauge is in a low power state, but can be awakened by communication or certain I/O activity. The device enters SHUTDOWN mode if there is a BATLOW condition detected or power down of the system.

[Figure 7](#) shows the relationship between these modes. The sections that follow describe the details.

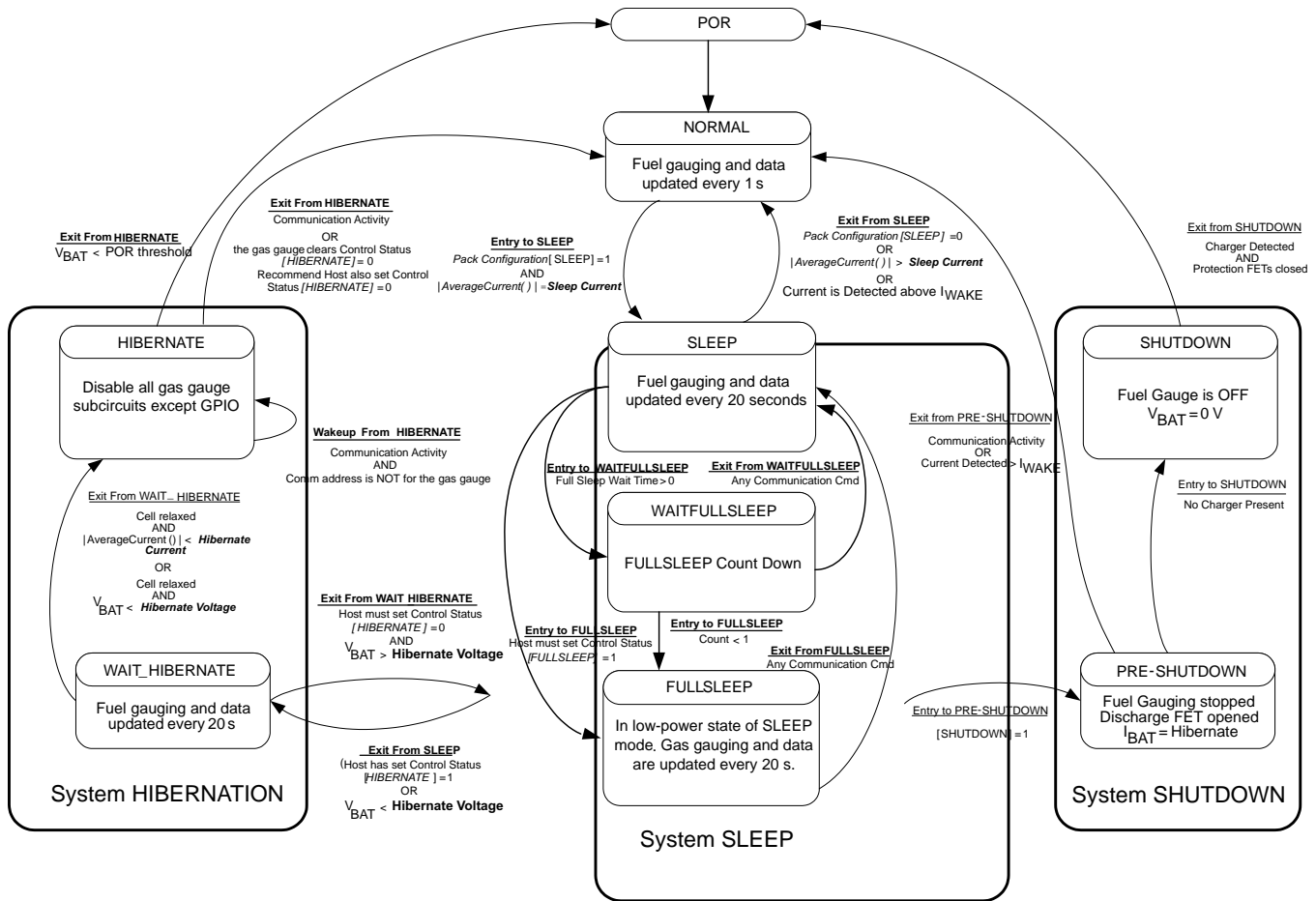


Figure 7. Power Mode Diagram

NORMAL MODE

The gas gauge is in NORMAL mode when not in any other power mode. During this mode, *AverageCurrent()*, *Voltage()*, and *Temperature()* measurements are taken, and the interface data set is updated. Decisions to change states are also made. This mode is exited by activating a different power mode.

Because the gauge consumes the most power in NORMAL mode, the algorithm minimizes the time the gas gauge remains in this mode.

NOTE

When the battery is connected for the first time, discharging may not be enabled. For this case, one of the following procedures is required:

Short the VM pin to the VSS pin or connect the charger such that the IC returns to normal status.

SLEEP MODE

SLEEP mode is entered automatically if the feature is enabled (**Pack Configuration [SLEEP]** = 1) and *AverageCurrent()* is below the programmable level **Sleep Current**. Once entry into SLEEP mode has been qualified, but prior to entering it, the bq28z560-R1 performs an ADC auto-calibration to minimize offset.

While in SLEEP mode, the gas gauge can suspend serial communications as much as 4 ms by holding the comm line(s) low. This delay is necessary to correctly process host communication, since the gas gauge processor is mostly halted in SLEEP mode.

During the SLEEP mode, bq28z560-R1 periodically takes data measurements and updates its data set. However, a majority of its time is spent in an idle condition. The bq28z560-R1 exits SLEEP if any entry condition is broken, specifically when (1) *AverageCurrent()* rises above **Sleep Current**, or (2) a current in excess of I_{WAKE} through RSENSE is detected.

FULLSLEEP MODE

FULLSLEEP mode is entered automatically if the feature is enabled by setting the **Configuration [FULLSLEEP]** bit in the Control Status register when the bq28z560-R1 is in SLEEP mode. The gauge exits the FULLSLEEP mode when there is any communication activity. Therefore, the execution of SET_FULLSLEEP sets the **[FULLSLEEP]** bit, but EVSW might still display the bit clear. FULLSLEEP mode can be verified by measuring the current consumption of the gauge. In this mode, the high frequency oscillator is turned off. The power consumption is further reduced in this mode compared to SLEEP mode.

FULLSLEEP mode can also be entered by setting the **Full Sleep Wait Time** to be a number larger than 0. FULLSLEEP will be entered when the timer counts down to 0. This feature is disabled when the data flash is set as 0.

During FULLSLEEP mode, the bq28z560-R1 periodically takes data measurements and updates its data set. However, a majority of its time is spent in an idle condition.

The bq28z560-R1 exits SLEEP if any entry condition is broken, specifically when (1) *AverageCurrent()* rises above **Sleep Current**, or (2) a current in excess of I_{WAKE} through RSENSE is detected.

While in FULLSLEEP mode, the gas gauge can suspend serial communications as much as 4 ms by holding the comm line(s) low. This delay is necessary to correctly process host communication, since the gas gauge processor is mostly halted in SLEEP mode.

Clearing FULLSLEEP Mode

FULLSLEEP mode will stay on permanently if **Full Sleep Wait Time** is not set to 0.

Clearing FULLSLEEP mode:

- If **Full Sleep Wait Time** is set to 0, the CLEAR condition clears the flag. If it is not set to 0, the CLEAR condition resets the timer.
- The CLEAR condition determines that there is I²C communication while FULLSLEEP is active. I²C communication while not in FULLSLEEP will NOT clear the flag. This means if there is current flowing when the FULLSLEEP command is sent, there is no way to clear it until after the device enters SLEEP mode.

HIBERNATE MODE

HIBERNATE mode should be used when the host system needs to enter a low-power state, and minimal gauge power consumption is required. This mode is ideal when the host is set to its own HIBERNATE, SHUTDOWN, or OFF modes. The gas gauge can enter HIBERNATE due to either low cell voltage or low load current.

- HIBERNATE due to the load current—If the gas gauge enters the HIBERNATE mode due to the load current, the [HIBERNATE] bit of the CONTROL_STATUS register must be set. The gauge waits to enter HIBERNATE mode until it has taken a valid OCV measurement and the magnitude of the average cell current has fallen below Hibernate Current.
- HIBERNATE due to the cell voltage—When the cell voltage drops below the Hibernate Voltage and a valid OCV measurement has been taken, the gas gauge enters HIBERNATE mode. The [HIBERNATE] bit of the CONTROL register has no impact for the gas gauge to enter the HIBERNATE mode. If the [SHUTDOWN] bit of CONTROL_STATUS is also set.

The gauge will remain in HIBERNATE mode until communication activity appears on the communication lines. Upon exiting HIBERNATE mode, the **[HIBERNATE]** bit of CONTROL_STATUS is cleared.

Because the gas gauge is dormant in HIBERNATE mode, the battery should not be charged or discharged in this mode, because any changes in battery charge status will not be measured. If necessary, the host equipment can draw a small current (generally infrequent and less than 1 mA, for purposes of low-level monitoring and updating); however, the corresponding charge drawn from the battery will not be logged by the gauge. Once the gauge exits to NORMAL mode, the algorithm re-establishes the correct battery capacity.

If a charger is attached, the host should immediately take the gas gauge out of HIBERNATE mode before beginning to charge the battery.

CAUTION

Charging the battery in HIBERNATE mode results in a notable gauging error that will take several hours to correct. In the HDQ bus communication interface, the bus line, when in HIBERNATE mode, must always be pulled high with an external resistor, and not allowed to go low in this mode. If the bus line is pulled low, the system may need to go through a full reset by the battery pack being removed and re-inserted. This may be an issue for systems with embedded battery packs. Alternatively, disable HIBERNATE mode by setting the CLEAR_HIBERNATE bit to 0. Another option is to set Hibernate I,V settings to 0 in DF commands.

SHUTDOWN MODE

The device enters SHUTDOWN mode if there is a BATLOW condition detected or power down of the system. The device can also disable SHUTDOWN by using the CLEAR_SHUTDOWN (0x0014) option.

NOTE

- A SHUTDOWN command should NOT be invoked if charger voltage is present.
- Sending a SHUTDOWN command while charger voltage is present causes a 1–2 s time of DSG FET off, and may or may not cause a watchdog reset. (If current is ≤ 0 after the DSG FET is opened, it will attempt to shutdown and start a watchdog; otherwise, it will only clear the shutdown flag without a reset.)
- The recommendation is to NOT send a SHUTDOWN command if charger voltage is present.

Figure 8 shows an overview of the hardware controlled SHUTDOWN operation.

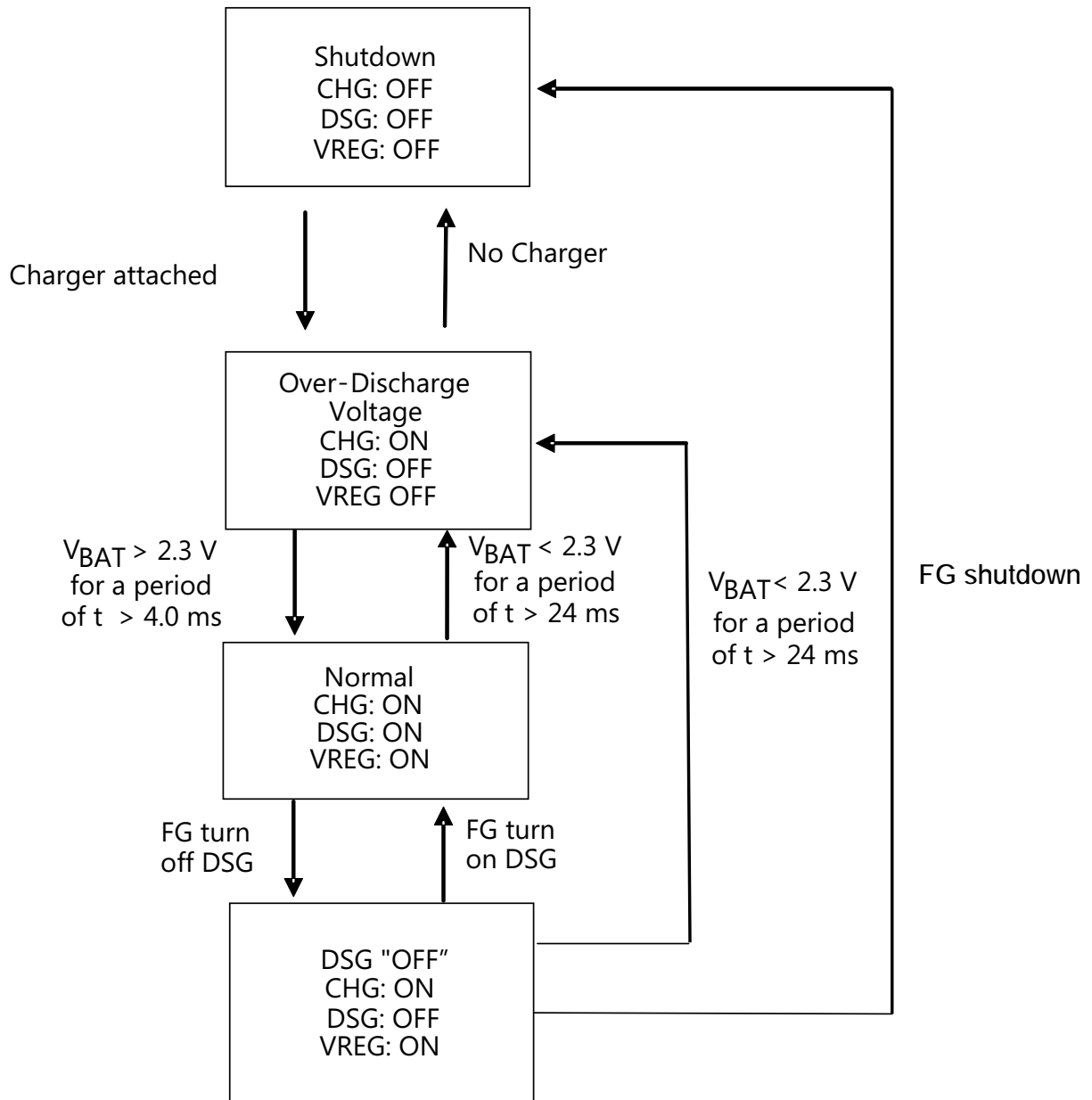


Figure 8. Shutdown Operation

OPERATIONAL MODES

POWER CONTROL

Reset Functions

When the bq28z560-R1 detects a software reset ([RESET] bit of *Control()* initiated), it determines the type of reset and increments the corresponding counter. This information is accessible by issuing the command *Control()* function with the RESET_DATA subcommand.

Wake-Up Comparator

The wake up comparator is used to indicate a change in cell current while the bq28z560-R1 is in SLEEP mode. *Pack Configuration* uses bits [RSNS1–RSNS0] to set the sense resistor selection. **Pack Configuration** also uses the [IWAKE] bit to select one of two possible voltage threshold ranges for the given sense resistor selection. An internal interrupt is generated when the threshold is breached in either charge or discharge directions. Setting both [RSNS1] and [RSN0] to 0 disables this feature.

Table 21. IWAKE Threshold Settings⁽¹⁾

RSNS1	RSNS0	IWAKE	Vth (SRP–SRN)
0	0	0	Disabled
0	0	1	Disabled
0	1	0	+1.0 mV or –1.0 mV
0	1	1	+2.2 mV or –2.2 mV
1	0	0	+2.2 mV or –2.2 mV
1	0	1	+4.6 mV or –4.6 mV
1	1	0	+4.6 mV or –4.6 mV
1	1	1	+9.8 mV or –9.8 mV

(1) The actual resistance value vs. the setting of the sense resistor is not important, only the actual voltage threshold when calculating the Configuration. The voltage thresholds are typical values under room temperature.

Flash Updates

Data flash can only be updated if *Voltage()* > Flash Update OK Voltage. Flash programming current can cause an increase in the LDO dropout.

The mode of going from one state to another is as follows: NORMAL → SLEEP → FULLSLEEP, then from FULLSLEEP to either HIBERNATE or SHUTDOWN.

Mode	Enter Mode	Exit Mode	Comment
NORMAL	If ALL conditions are satisfied like Average Current, Cell Voltage, and Temperature.	Go into other modes like SLEEP, FULLSLEEP, HIBERNATE, or SHUTDOWN if conditions are satisfied.	In this mode, power consumption is the highest. Measurements are taken and updated every 1 s.
SLEEP	SLEEP bit set = 1 in the Control register AND AverageCurrent measured is equal to Sleep current value.	Change SLEEP bit = 0 OR AverageCurrent measurement > Sleep current value OR Current detected is above the I _{WAKE} setting.	The data is measured every 20 s to reduce current consumption.
FULLSLEEP	From SLEEP mode if the WAIT_FULLSLEEP wait is programmed, this is the time the system must be in SLEEP mode before it can go to FULLSLEEP mode.	The system exits the FULLSLEEP mode if there are any communication commands set on the bus to the device.	The wait time to enter FULLSLEEP from SLEEP is 1 s to 240 s with the default at 15 s.

Mode	Enter Mode	Exit Mode	Comment
HIBERNATE	From FULLSLEEP mode, the system will go into HIBERNATE mode if the load current decreases to programmed value, OR if the cell voltage falls below the programmed value, OR if the host sets the command in MAC.	The system exits this mode if the V_{BAT} > programmed threshold, OR load current is > programmed threshold, OR communication activity is on the bus line, OR the host sets the command in MAC.	Enters hibernation if V_{BAT} range is 2.4 V to 3 V with a default at 2.55 V. The load current threshold range is 0 to 0.7 A with a default value of 8 mA.
SHUTDOWN	From SLEEP mode, the system will enter this mode if the $V_{BAT} < 2.4$ V for a period longer than 24 ms and the charger is not attached. The system can also be put in SHUTDOWN mode through MAC.	Exit from this mode if there is bus activity, OR the load current detected is > I_{WAKE} , OR the charger is connected to the system.	In this mode, the VREG and DSG FET are turned OFF and the system will only wake up if the charger is attached on the Pack+, Pack- terminals.

AUTOCALIBRATION

The bq28z560-R1 provides an auto calibration feature that measures the voltage offset error across SRP and SRN from time-to-time as operating conditions change. It subtracts the resulting offset error from the normal sense resistor voltage, VSR, for maximum measurement accuracy.

Auto calibration of the ADC begins on entry to SLEEP mode, except if *Temperature()* is $\leq 5^{\circ}\text{C}$ or *Temperature()* $\geq 45^{\circ}\text{C}$.

The gas gauge also performs a single offset when (1) the condition of *AverageCurrent()* ≤ 100 mA and (2) {cell voltage change since last offset calibration ≥ 256 mV} or {temperature change since last offset calibration is greater than 80°C for ≥ 60 s}.

Capacity and current measurements continue at the last measured rate during the offset calibration when these measurements cannot be performed. If the battery voltage drops more than 32 mV during the offset calibration, the load current has likely increased considerably and the offset calibration will be aborted.

COMMUNICATIONS

AUTHENTICATION

The bq28z560-R1 can act as a SHA-1/HMAC authentication slave by using its internal engine. Refer to the *Using SHA-1 in bq20zxx Family of Gas Gauges Application Note (SLUA359)* for SHA-1/HMAC information.

By sending a 160-bit SHA-1 challenge message to the bq28z560-R1, it causes the gauge to return a 160-bit digest, based upon the challenge message and a hidden, 128-bit plain-text authentication key. If this digest matches an identical one generated by a host or dedicated authentication master, and when operating on the same challenge message and using the same plain text keys, the authentication process is successful.

KEY PROGRAMMING (DATA FLASH KEY)

By default, the bq28z560-R1 contains a plain-text authentication key of 0x0123456789ABCDEFEDCBA9876543210. This default key is intended for development purposes. It should be changed to a secret key and the part immediately sealed before putting a pack into operation. Once written, a new plain-text key cannot be read again from the gas gauge while in SEALED mode.

Once the bq28z560-R1 is UNSEALED, the authentication key can be changed from its default value by writing to the *Authenticate()* Extended Data Command locations. A 0x00 is written to *BlockDataControl()* to enable the authentication data commands. The *DataFlashClass()* is issued 112 (0x70) to set the Security class. Up to 32 bytes of data can be read directly from the *BlockData()* (0x40...0x5F) and the authentication key is located at 0x48 (0x40 + 0x08 offset) to 0x57 (0x40 + 0x17 offset). The new authentication key can be written to the corresponding locations (0x48 to 0x57) using the *BlockData()* command. The data is transferred to the data flash when the correct checksum for the whole block (0x40 to 0x5F) is written to *BlockDataChecksum()* (0x60). The checksum is (255 – x) where x is the 8-bit summation of the *BlockData()* (0x40 to 0x5F) on a byte-by-byte basis. Once the authentication key is written, the gauge can then be SEALED again.

KEY PROGRAMMING (THE SECURE MEMORY KEY)

As the name suggests, the bq28z560-R1 secure-memory authentication key is stored in the secure memory of the bq28z560-R1. If a secure-memory key has been established and the Data Flash Key is 0x00000000000000000000000000000000, only this key can be used for authentication challenges (the programmable data flash key is not available). The selected key can only be established/programmed by special arrangements with TI, using TI's *Secure B-to-B Protocol*. The secure-memory key can never be changed or read from the bq28z560-R1.

EXECUTING AN AUTHENTICATION QUERY

To execute an authentication query in UNSEALED mode, a host must first write 0x01 to the *BlockDataControl()* command to enable the authentication data commands. If in SEALED mode, 0x00 must be written to *DataFlashBlock()*, instead.

Next, the host writes a 20-byte authentication challenge to the *Authenticate()* address locations (0x40 through 0x53). After a valid checksum for the challenge is written to *AuthenticateChecksum()*, the bq28z560-R1 uses the challenge to perform the SHA-1/HMAC computation in conjunction with the programmed key. The resulting digest is written to *AuthenticateData()*, overwriting the pre-existing challenge. The host may then read this response and compare it against the result created by its own parallel computation.

HDQ SINGLE-PIN SERIAL INTERFACE

The HDQ interface is an asynchronous return-to-one protocol where a processor sends the command code to the bq28z560-R1. With HDQ, the least significant bit (LSB) of a data byte (command) or word (data) is transmitted first. Note that the DATA signal on pin 12 is open-drain and requires an external pull-up resistor. The 8-bit command code consists of two fields: the 7-bit HDQ command code (bits 0–6) and the 1-bit R/W field (MSB bit 7). The R/W field directs the bq28z560-R1 to do either of the following two actions:

- Store the next 8 or 16 bits of data to a specified register or,
- Output 8 bits of data from the specified register.

The HDQ peripheral can transmit and receive data as either an HDQ master or slave.

HDQ serial communication is normally initiated by the host processor sending a break command to the bq28z560-R1. A break is detected when the DATA pin is driven to a logic-low state for a time $t_{(B)}$ or greater. The DATA pin should then be returned to its normal ready high logic state for a time $t_{(BR)}$. The bq28z560-R1 is now ready to receive information from the host processor.

The bq28z560-R1 is shipped in the I²C mode. TI provides tools to enable the HDQ peripheral.

HDQ HOST INTERRUPTION FEATURE

The default bq28z560-R1 behaves as an HDQ slave only device. If the HDQ interrupt function is enabled, the bq28z560-R1 is capable of mastering and also communicating to a HDQ device. There is no mechanism for negotiating who is to function as the HDQ master and care must be taken to avoid message collisions. The interrupt is signaled to the host processor with the bq28z560-R1 mastering an HDQ "message." This message is a fixed message that will be used to signal the interrupt condition. The message itself is 0x80 (slave write to register 0x00) with no data byte being sent as the command is not intended to convey any status of the interrupt condition. The HDQ interrupt function is not public and needs to be enabled by command.

When the SET_HDQINTEN subcommand is received, the bq28z560-R1 will detect any of the interrupt conditions and assert the interrupt at 1-s intervals until the CLEAR_HDQINTEN command is received or the count of HDQHostIntrTries has lapsed.

The number of tries for interrupting the host will be determined by the data flash parameter named **Configuration.Register.HDQHostIntrTries**.

The HDQ host interrupt is triggered by the settings in the bat alert feature. The HDQ host interrupt signal will be asserted when the *Flags()[ALRT]* bit is triggered, based on the settings in the *BatAlertConfig()* register.

I²C INTERFACE

The gas gauge supports the standard I²C read, incremental read, 1-byte write quick read, and functions. The 7-bit device address (ADDR) is the most significant 7 bits of the hex address and is fixed as 1010101. The 8-bit device address is therefore 0xAA or 0xAB for write or read, respectively.

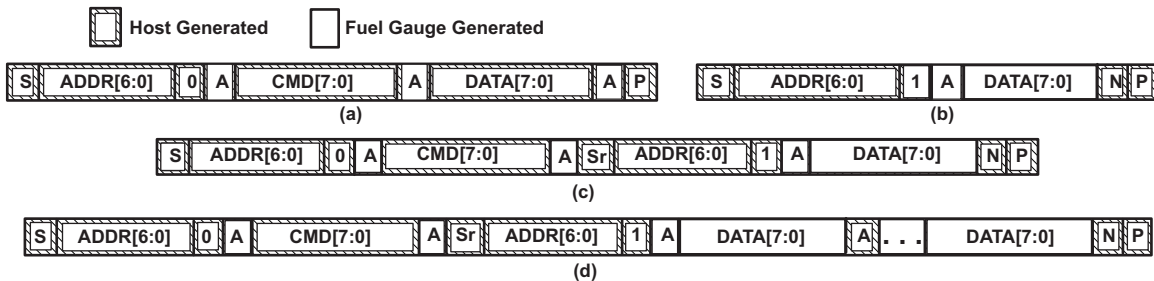


Figure 9. Supported I²C formats: (a) 1-byte write, (b) quick read, © 1 byte-read, and (d) incremental read (S = Start, Sr = Repeated Start, A = Acknowledge, N = No Acknowledge, and P = Stop).

The "quick read" returns data at the address indicated by the address pointer. The address pointer, a register internal to the I²C communication engine, increments whenever data is acknowledged by the bq28z560-R1 or the I²C master. "Quick writes" function in the same manner and are a convenient means of sending multiple bytes to consecutive command locations (such as 2-byte commands that require two bytes of data).

Attempt to write a read-only address (NACK after data sent by master):



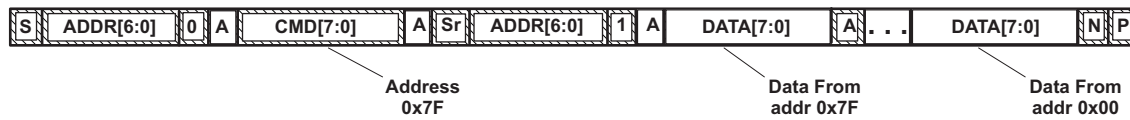
Attempt to read an address above 0x7F (NACK command):



Attempt at incremental writes (NACK all extra data bytes sent):



Incremental read at the maximum allowed read address:



The I²C engine releases both SDA and SCL if the I²C bus is held low for $t_{(BUSERR)}$. If the gas gauge was holding the lines, releasing them frees the master to drive the lines. If an external condition is holding either of the lines low, the I²C engine enters the low-power SLEEP mode.

I²C Timeout

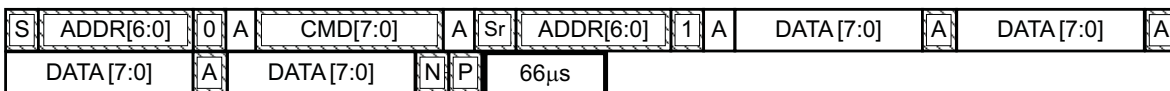
The I²C engine will release both SDA and SCL if the I²C bus is held low for about 2 s. If the bq28z560-R1 was holding the lines, releasing them will free the master to drive the lines.

I²C Command Waiting Time

To ensure getting the correct results of a command with the 400 KHz I²C operation, a proper waiting time should be added between issuing the command and reading results. For subcommands, the following diagram shows the waiting time required between issuing the control command and reading the status with the exception of the checksum command. A 100-ms waiting time is required between the checksum command and reading result. For read-write standard commands, a minimum of 2 s is required to get the result updated. For read-only standard commands, there is no waiting time required, but the host should not issue all standard commands more than two times per second. Otherwise, the gauge could result in a reset issue due to the expiration of the watchdog timer.



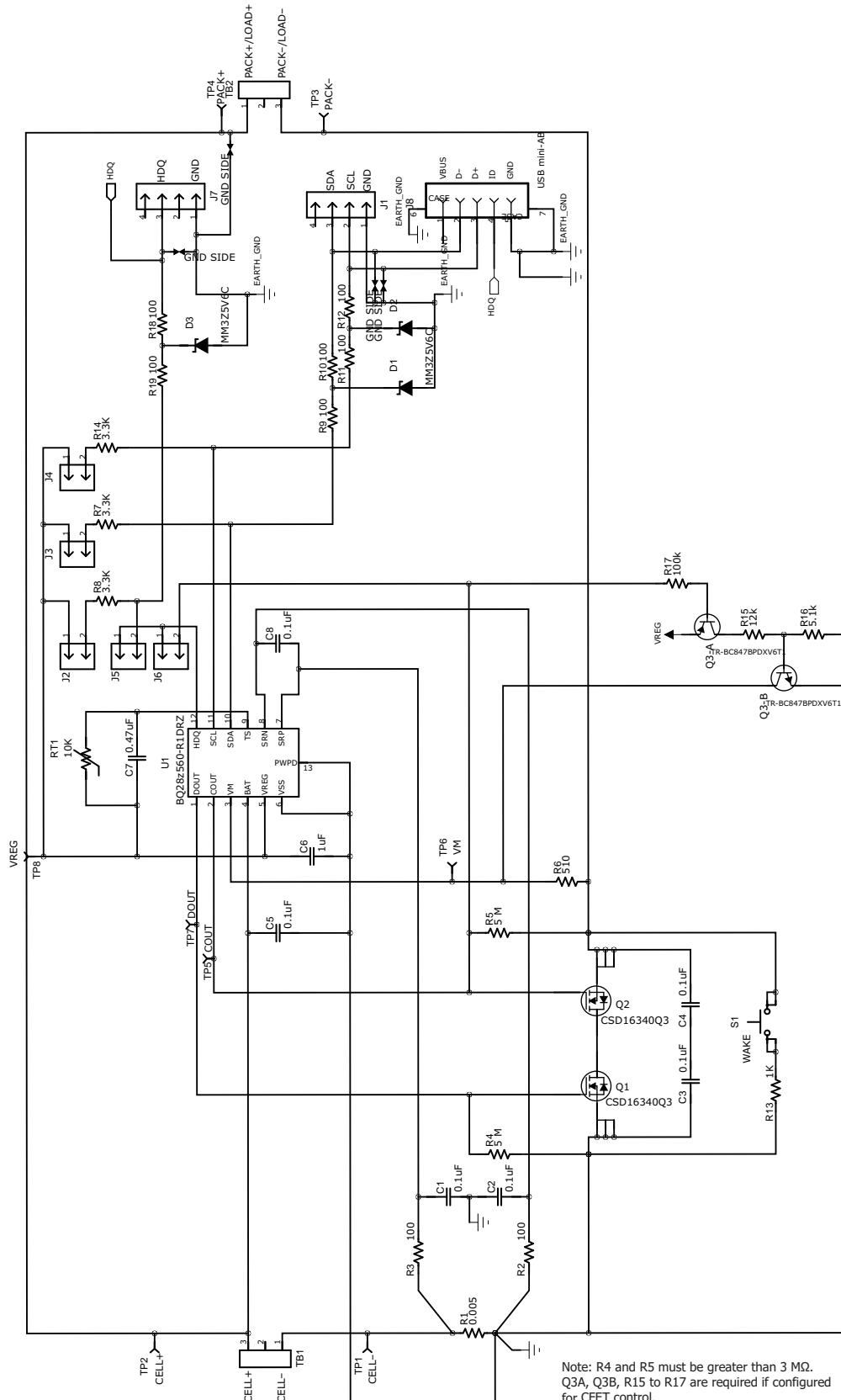
Waiting time between control subcommand and reading results



Waiting time between continuous reading results

The I²C clock stretch could happen in a typical application. A maximum 80-ms clock stretch could be observed during the flash updates. There can be up to a 270-ms clock stretch after the OCV command is issued.

REFERENCE SCHEMATIC



PACKAGING INFORMATION

Orderable Device	Status (1)	Package Type	Package Drawing	Pins	Package Qty	Eco Plan (2)	Lead/Ball Finish	MSL Peak Temp (3)	Op Temp (°C)	Device Marking (4/5)	Samples
BQ28Z560DRZR-R1	ACTIVE	SON	DRZ	12	3000	Green (RoHS & no Sb/Br)	CU NIPDAU	Level-2-260C-1 YEAR	-40 to 85	BQ28 Z560	Samples
BQ28Z560DRZT-R1	ACTIVE	SON	DRZ	12	250	Green (RoHS & no Sb/Br)	CU NIPDAU	Level-2-260C-1 YEAR	-40 to 85	BQ28 Z560	Samples

(1) The marketing status values are defined as follows:

ACTIVE: Product device recommended for new designs.

LIFEBUY: TI has announced that the device will be discontinued, and a lifetime-buy period is in effect.

NRND: Not recommended for new designs. Device is in production to support existing customers, but TI does not recommend using this part in a new design.

PREVIEW: Device has been announced but is not in production. Samples may or may not be available.

OBSELETE: TI has discontinued the production of the device.

(2) Eco Plan - The planned eco-friendly classification: Pb-Free (RoHS), Pb-Free (RoHS Exempt), or Green (RoHS & no Sb/Br) - please check <http://www.ti.com/productcontent> for the latest availability information and additional product content details.

TBD: The Pb-Free/Green conversion plan has not been defined.

Pb-Free (RoHS): TI's terms "Lead-Free" or "Pb-Free" mean semiconductor products that are compatible with the current RoHS requirements for all 6 substances, including the requirement that lead not exceed 0.1% by weight in homogeneous materials. Where designed to be soldered at high temperatures, TI Pb-Free products are suitable for use in specified lead-free processes.

Pb-Free (RoHS Exempt): This component has a RoHS exemption for either 1) lead-based flip-chip solder bumps used between the die and package, or 2) lead-based die adhesive used between the die and leadframe. The component is otherwise considered Pb-Free (RoHS compatible) as defined above.

Green (RoHS & no Sb/Br): TI defines "Green" to mean Pb-Free (RoHS compatible), and free of Bromine (Br) and Antimony (Sb) based flame retardants (Br or Sb do not exceed 0.1% by weight in homogeneous material)

(3) MSL, Peak Temp. -- The Moisture Sensitivity Level rating according to the JEDEC industry standard classifications, and peak solder temperature.

(4) There may be additional marking, which relates to the logo, the lot trace code information, or the environmental category on the device.

(5) Multiple Device Markings will be inside parentheses. Only one Device Marking contained in parentheses and separated by a "~" will appear on a device. If a line is indented then it is a continuation of the previous line and the two combined represent the entire Device Marking for that device.

Important Information and Disclaimer:The information provided on this page represents TI's knowledge and belief as of the date that it is provided. TI bases its knowledge and belief on information provided by third parties, and makes no representation or warranty as to the accuracy of such information. Efforts are underway to better integrate information from third parties. TI has taken and continues to take reasonable steps to provide representative and accurate information but may not have conducted destructive testing or chemical analysis on incoming materials and chemicals. TI and TI suppliers consider certain information to be proprietary, and thus CAS numbers and other limited information may not be available for release.

In no event shall TI's liability arising out of such information exceed the total purchase price of the TI part(s) at issue in this document sold by TI to Customer on an annual basis.

TAPE AND REEL INFORMATION



QUADRANT ASSIGNMENTS FOR PIN 1 ORIENTATION IN TAPE



*All dimensions are nominal

Device	Package Type	Package Drawing	Pins	SPQ	Reel Diameter (mm)	Reel Width W1 (mm)	A0 (mm)	B0 (mm)	K0 (mm)	P1 (mm)	W (mm)	Pin1 Quadrant
BQ28Z560DRZR-R1	SON	DRZ	12	3000	330.0	12.4	2.8	4.3	1.2	4.0	12.0	Q2
BQ28Z560DRZT-R1	SON	DRZ	12	250	330.0	12.4	2.8	4.3	1.2	4.0	12.0	Q2

TAPE AND REEL BOX DIMENSIONS

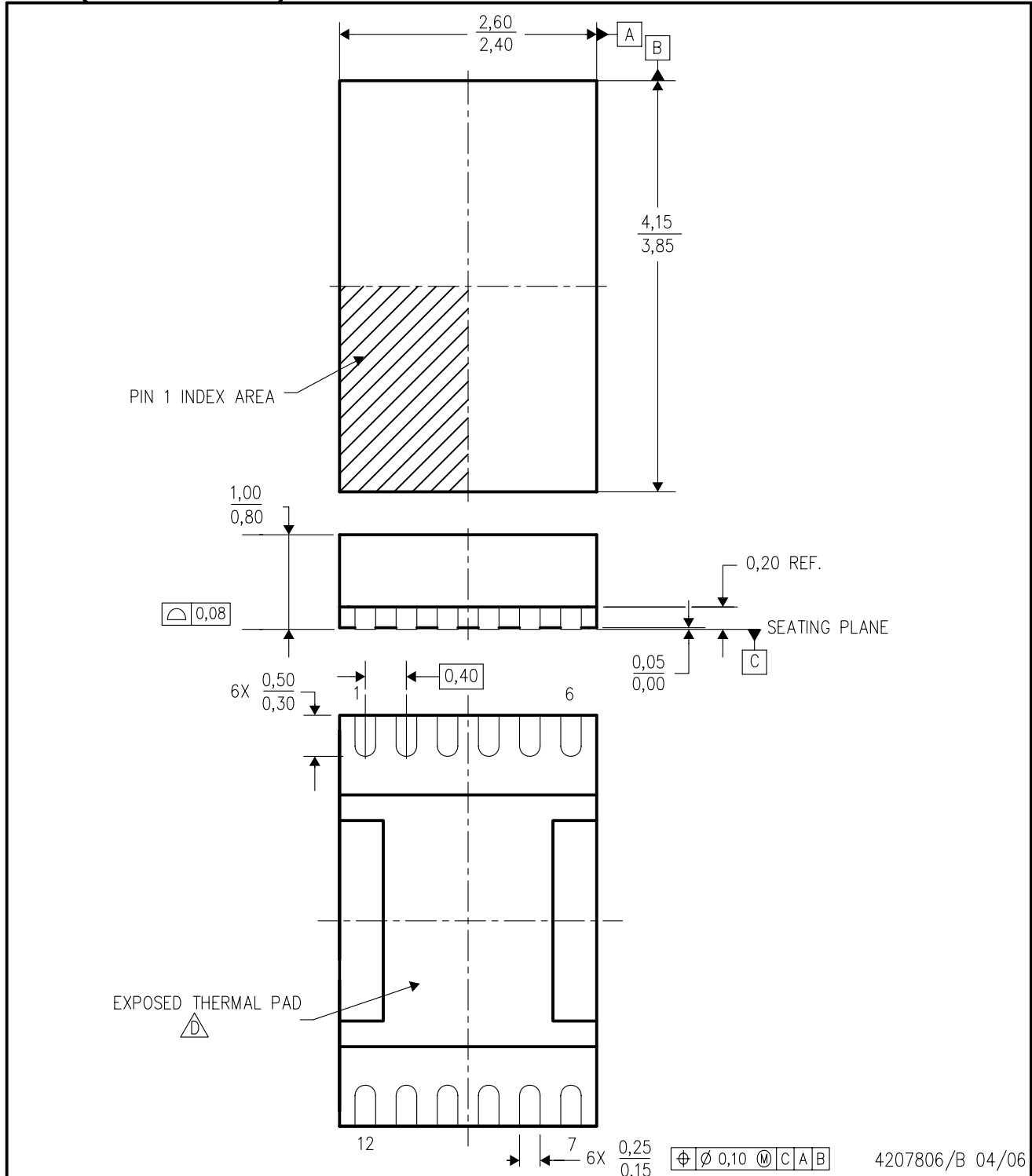


*All dimensions are nominal

Device	Package Type	Package Drawing	Pins	SPQ	Length (mm)	Width (mm)	Height (mm)
BQ28Z560DRZR-R1	SON	DRZ	12	3000	338.1	338.1	20.6
BQ28Z560DRZT-R1	SON	DRZ	12	250	338.1	338.1	20.6

DRZ (S-PDSO-N12)

PLASTIC SMALL OUTLINE



- NOTES:
- A. All linear dimensions are in millimeters. Dimensioning and tolerancing per ASME Y14.5M-1994.
 - B. This drawing is subject to change without notice.
 - C. Small Outline No-Lead (SON) package configuration.
 - \triangle The package thermal pad must be soldered to the board for thermal and mechanical performance. See the Product Data Sheet for details regarding the exposed thermal pad dimensions.
 - E. This package is lead-free.

THERMAL PAD MECHANICAL DATA

DRZ (R-PDSO-N12)

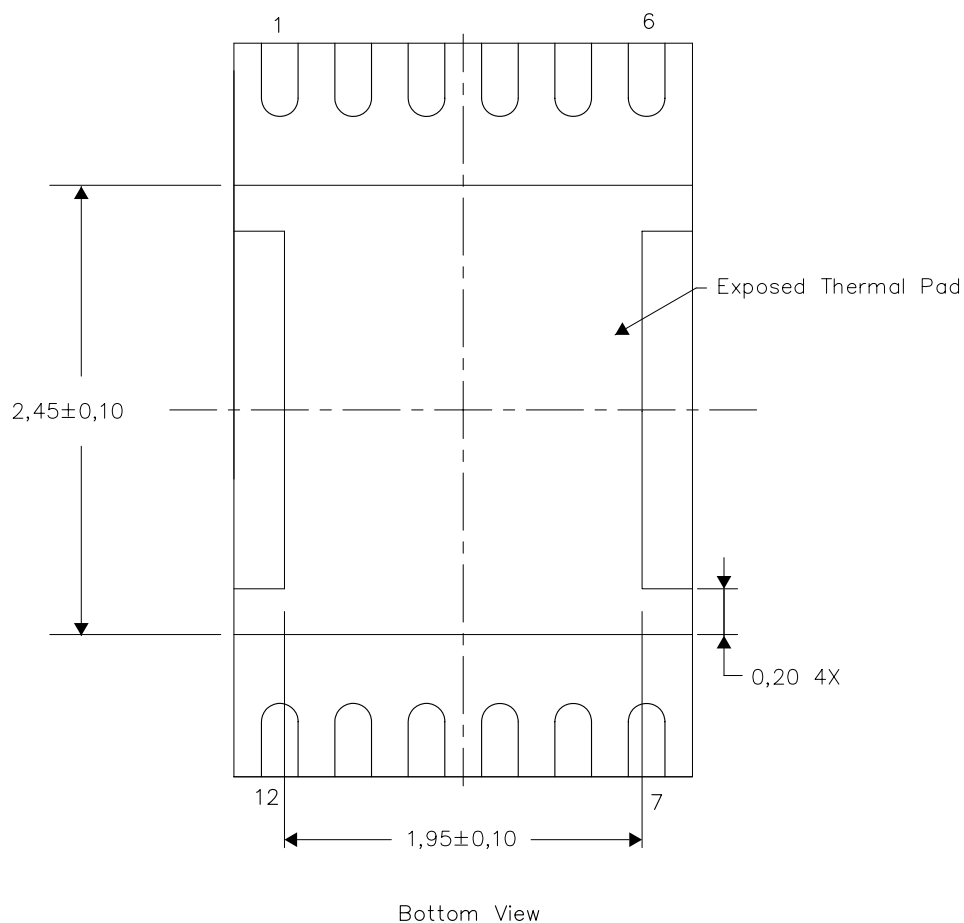
PLASTIC SMALL OUTLINE NO-LEAD

THERMAL INFORMATION

This package incorporates an exposed thermal pad that is designed to be attached directly to an external heatsink. The thermal pad must be soldered directly to the printed circuit board (PCB). After soldering, the PCB can be used as a heatsink. In addition, through the use of thermal vias, the thermal pad can be attached directly to the appropriate copper plane shown in the electrical schematic for the device, or alternatively, can be attached to a special heatsink structure designed into the PCB. This design optimizes the heat transfer from the integrated circuit (IC).

For information on the Quad Flatpack No-Lead (QFN) package and its advantages, refer to Application Report, QFN/SON PCB Attachment, Texas Instruments Literature No. SLUA271. This document is available at www.ti.com.

The exposed thermal pad dimensions for this package are shown in the following illustration.



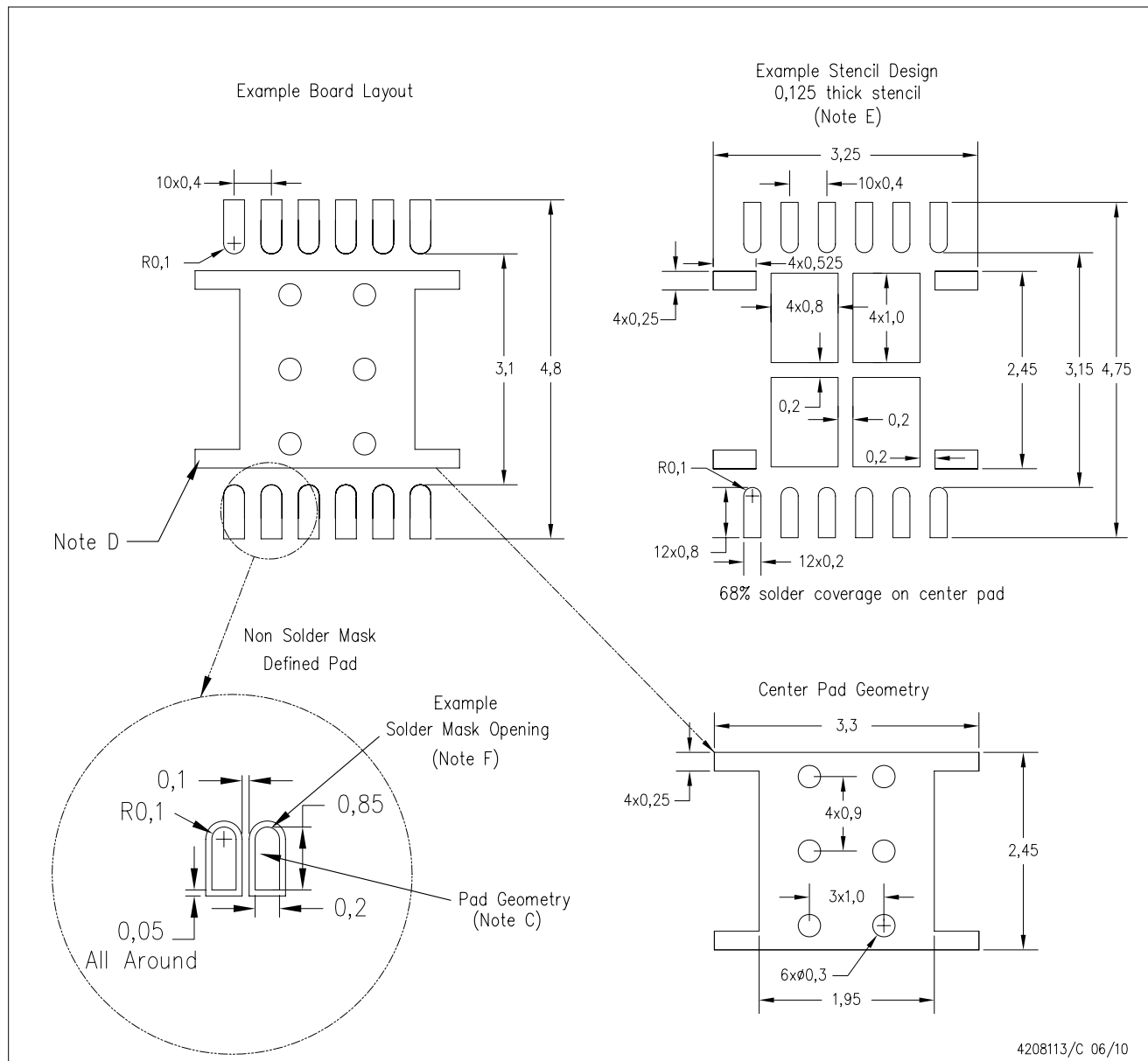
NOTE: All linear dimensions are in millimeters

Exposed Thermal Pad Dimensions

4208114/E 06/10

DRZ (S-PDSO-N12)

PLASTIC SMALL OUTLINE NO-LEAD



4208113/C 06/10

- NOTES:
- All linear dimensions are in millimeters.
 - This drawing is subject to change without notice.
 - Publication IPC-7351 is recommended for alternate designs.
 - This package is designed to be soldered to a thermal pad on the board. Refer to Application Note, Quad Flat-Pack Packages, Texas Instruments Literature No. SCBA017, SLUA271, and also the Product Data Sheets for specific thermal information, via requirements, and recommended board layout. These documents are available at www.ti.com <<http://www.ti.com>>.
 - Laser cutting apertures with trapezoidal walls and also rounding corners will offer better paste release. Customers should contact their board assembly site for stencil design recommendations. Refer to IPC 7525 for stencil design considerations.
 - Customers should contact their board fabrication site for minimum solder mask web tolerances between signal pads.

IMPORTANT NOTICE

Texas Instruments Incorporated and its subsidiaries (TI) reserve the right to make corrections, enhancements, improvements and other changes to its semiconductor products and services per JESD46, latest issue, and to discontinue any product or service per JESD48, latest issue. Buyers should obtain the latest relevant information before placing orders and should verify that such information is current and complete. All semiconductor products (also referred to herein as "components") are sold subject to TI's terms and conditions of sale supplied at the time of order acknowledgment.

TI warrants performance of its components to the specifications applicable at the time of sale, in accordance with the warranty in TI's terms and conditions of sale of semiconductor products. Testing and other quality control techniques are used to the extent TI deems necessary to support this warranty. Except where mandated by applicable law, testing of all parameters of each component is not necessarily performed.

TI assumes no liability for applications assistance or the design of Buyers' products. Buyers are responsible for their products and applications using TI components. To minimize the risks associated with Buyers' products and applications, Buyers should provide adequate design and operating safeguards.

TI does not warrant or represent that any license, either express or implied, is granted under any patent right, copyright, mask work right, or other intellectual property right relating to any combination, machine, or process in which TI components or services are used. Information published by TI regarding third-party products or services does not constitute a license to use such products or services or a warranty or endorsement thereof. Use of such information may require a license from a third party under the patents or other intellectual property of the third party, or a license from TI under the patents or other intellectual property of TI.

Reproduction of significant portions of TI information in TI data books or data sheets is permissible only if reproduction is without alteration and is accompanied by all associated warranties, conditions, limitations, and notices. TI is not responsible or liable for such altered documentation. Information of third parties may be subject to additional restrictions.

Resale of TI components or services with statements different from or beyond the parameters stated by TI for that component or service voids all express and any implied warranties for the associated TI component or service and is an unfair and deceptive business practice. TI is not responsible or liable for any such statements.

Buyer acknowledges and agrees that it is solely responsible for compliance with all legal, regulatory and safety-related requirements concerning its products, and any use of TI components in its applications, notwithstanding any applications-related information or support that may be provided by TI. Buyer represents and agrees that it has all the necessary expertise to create and implement safeguards which anticipate dangerous consequences of failures, monitor failures and their consequences, lessen the likelihood of failures that might cause harm and take appropriate remedial actions. Buyer will fully indemnify TI and its representatives against any damages arising out of the use of any TI components in safety-critical applications.

In some cases, TI components may be promoted specifically to facilitate safety-related applications. With such components, TI's goal is to help enable customers to design and create their own end-product solutions that meet applicable functional safety standards and requirements. Nonetheless, such components are subject to these terms.

No TI components are authorized for use in FDA Class III (or similar life-critical medical equipment) unless authorized officers of the parties have executed a special agreement specifically governing such use.

Only those TI components which TI has specifically designated as military grade or "enhanced plastic" are designed and intended for use in military/aerospace applications or environments. Buyer acknowledges and agrees that any military or aerospace use of TI components which have **not** been so designated is solely at the Buyer's risk, and that Buyer is solely responsible for compliance with all legal and regulatory requirements in connection with such use.

TI has specifically designated certain components as meeting ISO/TS16949 requirements, mainly for automotive use. In any case of use of non-designated products, TI will not be responsible for any failure to meet ISO/TS16949.

Products

Audio	www.ti.com/audio
Amplifiers	amplifier.ti.com
Data Converters	dataconverter.ti.com
DLP® Products	www.dlp.com
DSP	dsp.ti.com
Clocks and Timers	www.ti.com/clocks
Interface	interface.ti.com
Logic	logic.ti.com
Power Mgmt	power.ti.com
Microcontrollers	microcontroller.ti.com
RFID	www.ti-rfid.com
OMAP Applications Processors	www.ti.com/omap
Wireless Connectivity	www.ti.com/wirelessconnectivity

Applications

Automotive and Transportation	www.ti.com/automotive
Communications and Telecom	www.ti.com/communications
Computers and Peripherals	www.ti.com/computers
Consumer Electronics	www.ti.com/consumer-apps
Energy and Lighting	www.ti.com/energy
Industrial	www.ti.com/industrial
Medical	www.ti.com/medical
Security	www.ti.com/security
Space, Avionics and Defense	www.ti.com/space-avionics-defense
Video and Imaging	www.ti.com/video

TI E2E Community

e2e.ti.com