

## INTEGRATED PHOTO FLASH CHARGER AND IGBT DRIVER

### FEATURES

- **Wide Input Voltage**
  - VBAT = 1.4 V to 12 V
  - VCC = 2.5 V to 5.5 V
- **Integrated 50-V Power Switch With Lower R<sub>ON</sub>**
- **Programmable Peak Current at Primary Side From 0.5 A to 1.5 A**
- **Optimized Switch ON/OFF Control for Fast Charging**
- **Charge Complete Detection at Primary Side With High Accuracy**
- **Integrated IGBT Driver**
- **2-mm × 3-mm, 12-Pin WSON Package**
- **Protection**
  - Overcurrent Protection (OCP)
  - Thermal Shutdown (TSD)

### APPLICATIONS

- Digital Still Cameras
- Optical Film Cameras
- Digital Video Camcorders
- Cell Phones

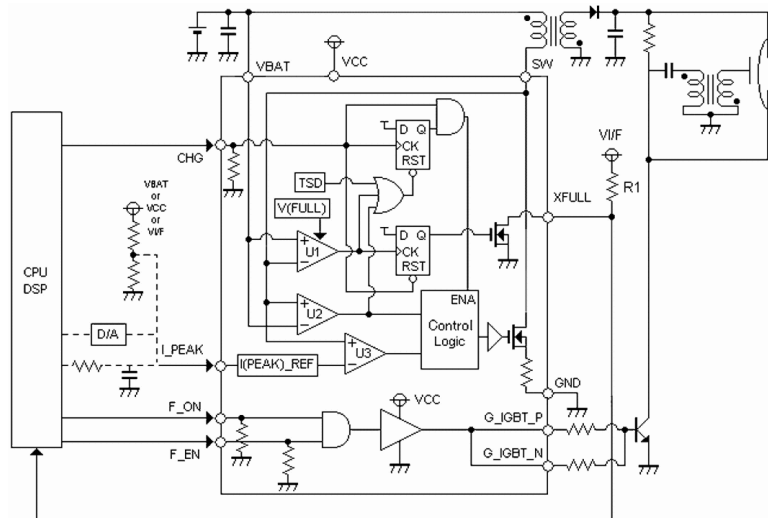
### DESCRIPTION/ORDERING INFORMATION

The TPS65573 offers a complete solution for a charging photo flash capacitor and flashing xenon tube with insulated gate bipolar transfer (IGBT) driver. This device has an integrated voltage reference, power (SW), comparators for peak current detection/power SW turnon detection/charge complete detection, IGBT driver and control logics for charging applications/driving IGBT applications.

Compared with discrete solutions, this device reduces the component count, shrinks the total solution size, and erases the difficulty of design for xenon tube application.

Additional advantages are a fast charging time and high efficiency since this device has an optimized pulse width modulation (PWM) control algorithm for photo flash charging. Also this device has high accuracy for peak current detection and for charge completion detection. The distribution of charging time is smaller.

Other provisions of the device include sensing the output voltage at the primary side, programmable peak current at the primary side, protection features (thermal shutdown and overcurrent), an output pin for charge completion detection, input pins for charge enable, flash acceptable, and flash on.



**Figure 1. Application Circuit**



Please be aware that an important notice concerning availability, standard warranty, and use in critical applications of Texas Instruments semiconductor products and disclaimers thereto appears at the end of this data sheet.

PowerPAD is a trademark of Texas Instruments.



These devices have limited built-in ESD protection. The leads should be shorted together or the device placed in conductive foam during storage or handling to prevent electrostatic damage to the MOS gates.

### ORDERING INFORMATION

T <sub>A</sub>	PACKAGE <sup>(1)(2)</sup>	ORDERABLE PART NUMBER	TOP-SIDE MARKING	TRANSPORT MEDIA, QUANTITY
–35°C to 85°C	WSON	TPS65573DSST	CVR	Tape and Reel, 250
		TPS65573DSSR		Tape and Reel, 3000

- (1) Package drawings, standard packing quantities, thermal data, symbolization, and PCB design guidelines are available at [www.ti.com/sc/package](http://www.ti.com/sc/package).
- (2) For the most current package and ordering information, see the Package Option Addendum at the end of this document, or see the TI website at [www.ti.com](http://www.ti.com).

### ABSOLUTE MAXIMUM RATINGS<sup>(1)</sup>

over operating free-air temperature range (unless otherwise noted)

			UNIT
Supply voltage range	VCC	–0.6 to 6	V
	VBAT	–0.6 to 13	
V <sub>SW</sub> Switch terminal voltage range		–0.6 to 50	V
I <sub>SW</sub> Switch current between SW and GND		2	A
V <sub>I</sub> Input voltage range	CHG, I_PEAK, and F_ON	–0.3 to V <sub>CC</sub>	V
T <sub>stg</sub> Storage temperature range		–40 to 150	°C
T <sub>J</sub> Maximum junction temperature		125	°C

- (1) Stresses beyond those listed under "absolute maximum ratings" may cause permanent damage to the device. These are stress ratings only, and functional operation of the device at these or any other conditions beyond those indicated under "recommended operating conditions" is not implied. Exposure to absolute-maximum-rated conditions for extended periods may affect device reliability.

### RECOMMENDED OPERATING CONDITIONS

			MIN	MAX	UNIT
Supply voltage	VCC		2.5	5.5	V
	VBAT		1.4	12	
V <sub>SW</sub> Switch terminal voltage			–0.3	45	V
I <sub>SW</sub> Switch current between SW and GND				1.5	A
Operating free-air temperature			–35	85	°C
V <sub>IH</sub> High-level digital input voltage at CHG and F_ON			1.5		V
V <sub>IL</sub> Low-level digital input voltage at CHG and F_ON				0.5	V

### DISSIPATION RATINGS

PACKAGE	R <sub>θJA</sub> <sup>(1)</sup>	POWER RATINGS T <sub>A</sub> < 25°C	POWER RATINGS RATE T <sub>A</sub> = 85°C
DFN	54.5°C/W	1.84 W	0.74 W

- (1) The thermal resistance, R<sub>θJA</sub>, is based on a soldered PowerPAD™ package on a 2S2P JEDEC board using thermal vias.

## ELECTRICAL CHARACTERISTICS

 $T_A = 25^\circ\text{C}$ ,  $V_{BAT} = 4.2\text{ V}$ ,  $V_{CC} = 3\text{ V}$ ,  $V_{(SW)} = 4.2\text{ V}$  (unless otherwise noted)

PARAMETER	TEST CONDITIONS	MIN	TYP	MAX	UNIT
$I_{CC1}$	Supply current from VBAT $V_{(CHG)} = V_{CC}$ , $V_{(F\_ON)} = \text{GND}$ , $V_{(F\_EN)} = \text{GND}$ , $XFULL = \text{Hi-Z}$		140	200	$\mu\text{A}$
$I_{CC2}$	Supply current from VCC $V_{(CHG)} = V_{CC}$ , $V_{(F\_ON)} = \text{GND}$ , $V_{(F\_EN)} = \text{GND}$ , $XFULL = \text{Hi-Z}$		2	3	mA
$I_{CC3}$	Supply current from VCC and VBAT $V_{(CHG)} = \text{GND}$ , $V_{(F\_ON)} = \text{GND}$ , $V_{(F\_EN)} = \text{GND}$			1	$\mu\text{A}$
$I_{LKG1\_SW}$	Leakage current at SW $V_{(SW)} = 4.2\text{ V}$			2	$\mu\text{A}$
$I_{LKG2\_SW}$	Leakage current at SW $V_{(SW)} = 45\text{ V}$			600	$\mu\text{A}$
$I_{sink}$	Sink current at $I_{PEAK}$ $V_{CC} = V_{(I\_PEAK)} = 3\text{ V}$			0.1	$\mu\text{A}$
$I_{PEAK1}$	Lower point of Peak current detection $V_{(I\_PEAK)} = 0.1\text{ V}$	0.38	0.58	0.78	A
$I_{PEAK2}$	Middle point of Peak current detection $V_{(I\_PEAK)} = 0.65\text{ V}$	0.84	1.04	1.24	A
$I_{PEAK3}$	Upper point of Peak current detection $V_{(I\_PEAK)} = 1.5\text{ V}$	1.30	1.50	1.70	A
$R_{ON\_XFULL}$	ON resistance between XFULL and GND $I_{(XFULL)} = 1\text{ mA}$		1.5	3	k $\Omega$
$R_{ON\_SW}$	ON resistance between SW and GND $I_{(SW)} = 1\text{ A}$ , $V_{CC} = 3\text{ V}$		0.4	0.7	$\Omega$
$R_{G\_IGBT\_N}$	G_IGBT_N ON resistance $V_{(G\_IGBT\_N)} = \text{GND}$	3	5	7.5	$\Omega$
$R_{G\_IGBT\_P}$	G_IGBT_P ON resistance $V_{(G\_IGBT\_P)} = 3\text{ V}$	3	5	7.5	$\Omega$
$R_{INPD}$	Pulldown resistance of CHG, F_ON and F_EN $V_{(CHG)}$ , $V_{(F\_ON)}$ , $V_{(F\_EN)} = V_{CC}$		100		k $\Omega$
$T_{SD}^{(1)}$	Thermal shutdown detection temperature	140	150	160	$^\circ\text{C}$
$V_{FULL}$	Charge completion detection voltage at SW	$V_{BAT} + 28.6$	$V_{BAT} + 29.0$	$V_{BAT} + 29.4$	V
$V_{ZERO}$	Zero current detection at SW	$V_{BAT} + 10\text{m}$	$V_{BAT} + 25\text{m}$	$V_{BAT} + 40\text{m}$	V
$V_{OCP}$	Over current protection trigger voltage at SW	$V_{BAT} - 150\text{m}$	$V_{BAT} - 100\text{m}$	$V_{BAT} - 50\text{m}$	V

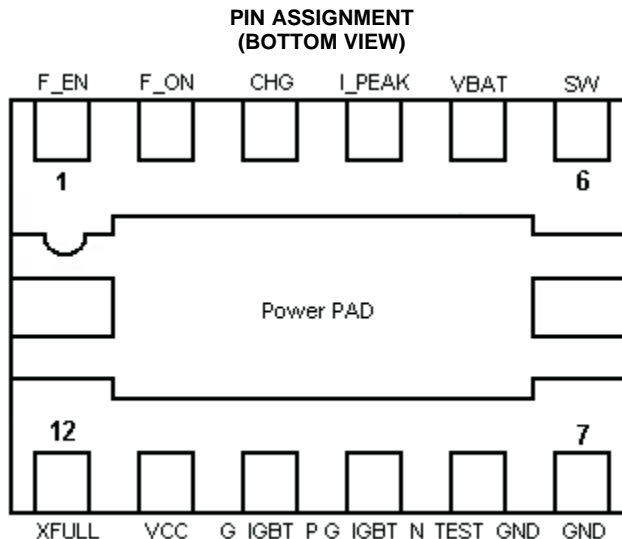
(1) Specified by design

## SWITCHING CHARACTERISTICS

 $T_A = 25^\circ\text{C}$ ,  $V_{BAT} = 4.2\text{ V}$ ,  $V_{CC} = 3\text{ V}$ ,  $V_{SW} = 4.2\text{ V}$  (unless otherwise noted)

PARAMETER	TEST CONDITIONS	MIN	TYP	MAX	UNIT
$t_{PD}^{(1)}$	Propagation delay	G_IGBT turns high/low after F_ON turns high/low		25	ns
		SW OFF after $I_{SW}$ exceeds the threshold defined by $I_{PEAK}$		150	
		XFULL turns Low after $V_{SW}$ exceeds $V_{FULL}$		200	
		SW ON after CHG turns high		50	150

(1) Specified by design



### TERMINAL FUNCTIONS

TERMINAL		I/O	DESCRIPTION
NO.	NAME		
1	F_EN	I	Flash Acceptable input. High level is acceptable to Xenon Flash on with F_ON pin. Low level is to force Disable of Xenon Flash on in spite of F_ON being High.
2	F_ON	I	Flash enable/disable. High level is xenon flash on with F_EN being high. Low level is xenon flash off even if F_EN is high.
3	CHG	I	Charge enable/disable input. Drive CHG high to start charging the output capacitor. Drive CHG low to terminate charging.
4	I_PEAK	I	Primary-side peak current control input. The voltage at I_PEAK sets the peak current into SW. See the <i>Programming Peak Current</i> section for details on selecting $V_{I\_PEAK}$ .
5	VBAT	I	Battery voltage monitor input for detecting OFF timing of power MOSFET. Connect VBAT pin to an input voltage from battery. The allowable range is from 1.4 V to 12 V. Bypass VBAT to GND with a 10 $\mu$ F ceramic capacitor as close to the IC as possible.
6	SW	O	Primary-side power MOSFET switch. Connect SW to the switched side of the transformer.
7	GND	–	Ground for power and IC internal circuits. Connect to the ground plane.
8	TEST_GND	–	Used by TI, should be connected to GND and ground plane
9	G_IGBT_N	O	IGBT gate driver output for turning off G_IGBT swings from VCC to GND to drive external IGBT devices. The external resistor should be needed at outside. The value depends on the characteristics of IGBT.
10	G_IGBT_P	O	IGBT gate driver output for turning on G_IGBT swings from GND to VCC to drive external IGBT devices. The external resistor should be needed at outside. The value depends on the characteristics of IGBT.
11	VCC	I	Power supply. VCC is the gate drive supply and IC supply. The allowable range is from 2.7 V to 5.5 V. Bypass VCC to GND with a 1- $\mu$ F ceramic capacitor as close to the IC as possible.
12	XFULL	O	Charge completion indicator output. XFULL is an open-drain output that pulls low once the output is fully charged. XFULL is high impedance during charging and all fault conditions. The recovery condition from Low to High is to turn Low at CHG pin only.

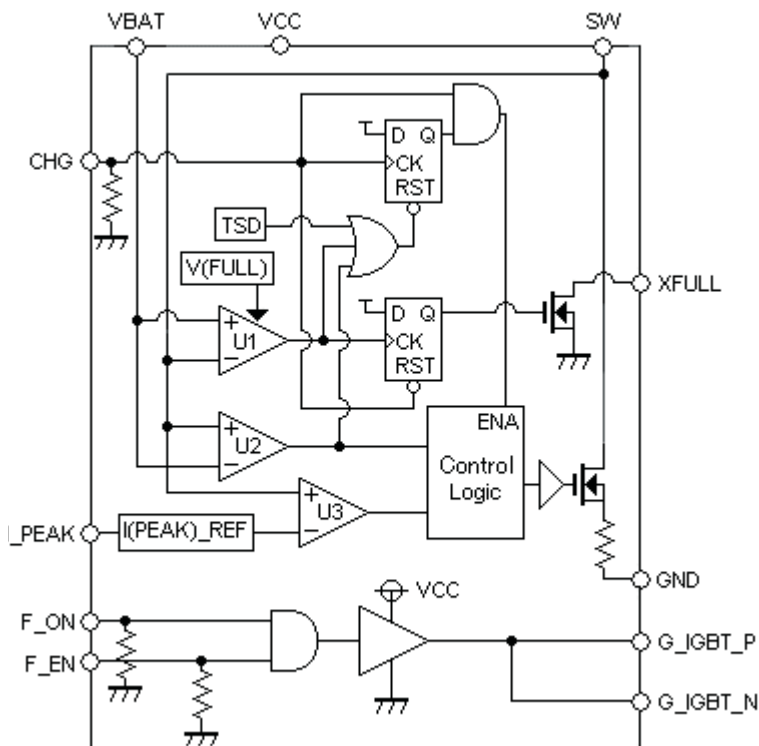


Figure 2. Block Diagram

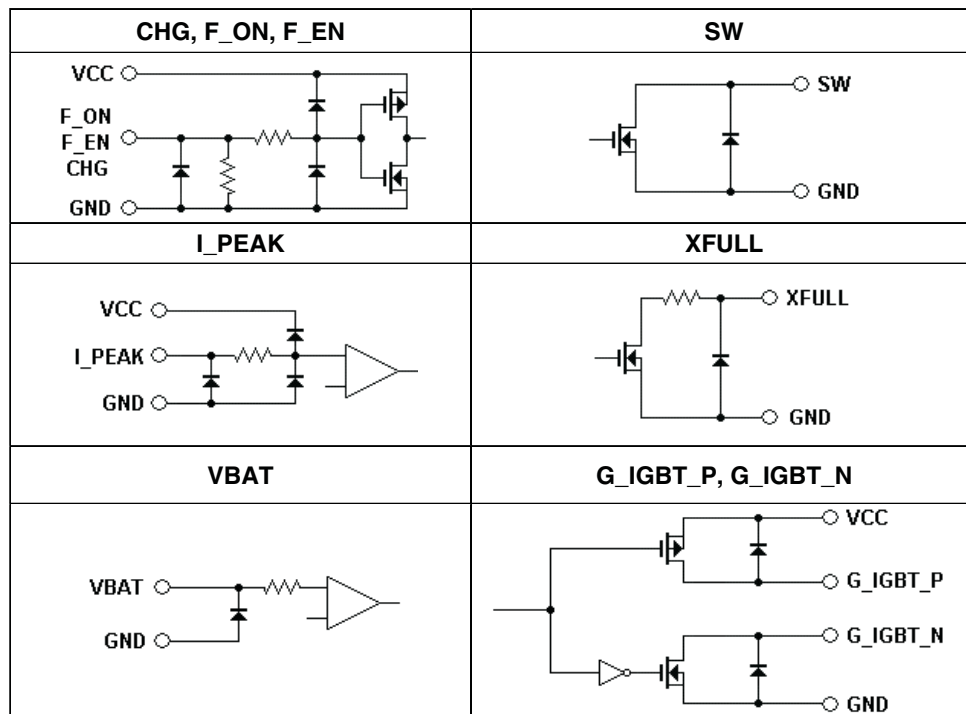
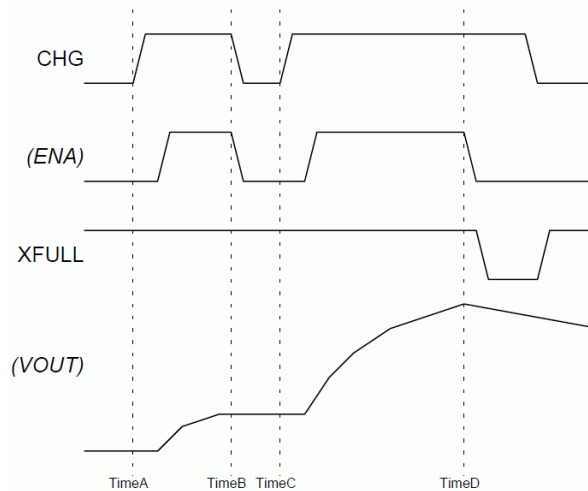


Figure 3. I/O Equivalent Circuit

## PRINCIPLES OF OPERATION



**Figure 4. Charging Sequence Chart**

### Start/Stop Charging

The TPS65573 has an enable/disable pin for charging (CHG). The only way to start charging is to input a high-level signal into CHG (see A and C in [Figure 2](#)). This high level is latched by internal D-FF shown in [Figure 2](#). The internal enable (ENA) signal goes up with some delay, which is specified as SW ON after CHG $\uparrow$  in [Switching Characteristics](#). This is to avoid the wrong operation with a pulsed noise at CHG.

To stop charging, there are three trigger events:

- Forced stop by inputting a low level at CHG (see B in [Figure 4](#))
- Automatic stop by detecting a full charge. VOUT reaches the target value (see D in [Figure 4](#)).
- Protected stop by detecting an overcurrent protection (OCP) on the SW pin

When the host inputs the high-level signal into CHG, the voltage of VCC and VBAT must meet the recommended range; VBAT is from 1.4 V to 12 V, VCC is from 2.5 V to 5.5 V. It is acceptable to start recharging after a forced stop controlled by CHG (see C in [Figure 4](#)).

### Charging Status Indication

When the charging operation is complete, the TPS65573 drives the charge completion indicator pin, XFULL, to a low level. A controller can detect the status of the device as a logic signal when it is connected through a pullup resistor (R1) (see [Figure 1](#)). The only way to reset the indication at XFULL is to input a low level into CHG (see [Figure 4](#)).

The XFULL output enables the controller to find the device-protected situation. If overcurrent protection (OCP) occurs, XFULL never goes to a low level when CHG is at a high level. Therefore, the controller detects OCP by measuring the time from turning CHG to a high level to turning XFULL to a low level. If the duration is longer than the maximum designed charge time, OCP occurs.

## Charging Control

Figure 5 shows a timing diagram at beginning/ending. The TPS65573 provides three comparators to control the charging operation. U1 is the  $V_{FULL}$  comparator to detect the charge completion, U2 is the  $V_{ZERO}$  comparator to detect the turn-on time of the power SW, and U3 is the  $I_{PEAK}$  comparator to detect the turn-off time of the power SW.

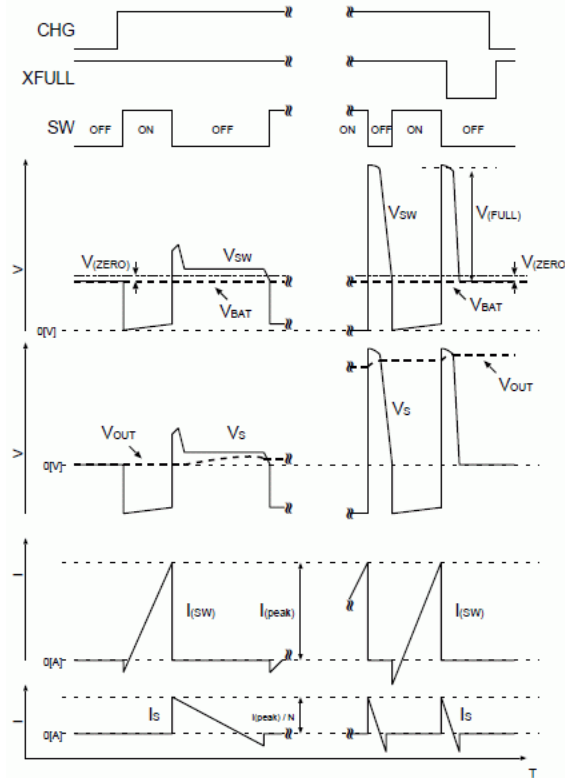


Figure 5. Beginning/Ending Timing

While the power SW is ON, the  $I_{PEAK}$  comparator (U3) monitors current flow through the power SW from SW to GND. When the current at SW ( $I_{SW}$ ) exceeds the threshold defined by the voltage of the  $I_{PEAK}$  pin ( $I_{PEAK}$ ), the power SW turns OFF.

After the power SW turns OFF, the spike voltage occurs immediately because of leakage inductance at the primary side. It might cause the power SW to break. To avoid this, the leakage inductance should be reduced as much as possible.

When the power SW is OFF, the magnetic energy in the transformer starts discharging from the primary side to the secondary side. During this discharge, the  $V_{ZERO}$  comparator (U2) monitors the kickback voltage at the primary side to compare it with the  $V_{BAT}$  voltage. The kickback voltage increases rapidly until the diode placed at secondary side turns ON. The diode turns ON when the voltage of secondary side of the transformer reaches more than the voltage of the output capacitor. After the diode turns ON, the kickback voltage is almost stable until the magnetic energy at the primary side discharges completely.

After the discharge stops, the small amount of energy left in the transformer is released via parasitic paths, and the kickback voltage reaches almost zero voltage. During this period, U2 makes the power SW turn ON when  $(V_{SW} - V_{BAT})$  drops from  $V_{ZERO}$ .

The  $V_{FULL}$  comparator (U1) also monitors the kickback voltage. When  $V_{SW} - V_{BAT}$  exceeds  $V_{FULL}$ , the TPS65573 stops the charging operation. After detection, XFULL goes to low level to indicate charge completion. After charge completion, the TPS65573 immediately goes into disable mode with the internal ENA automatically turning to a low level. The purpose is to save the consumption power.

In [Figure 5](#), ON time is almost the same period in every switch cycle. But the current at SW always starts from negative value because of the  $T_{rr}$  of the diode. Because of this, ON time depends on  $T_{rr}$ . ON time is calculated by [Equation 1](#).

$$T_{ON(n)} = L_p \frac{I_{PEAK}}{V_{BAT}} + T_{rr}(n) \quad (1)$$

Where:

$T_{ON(n)}$  = ON time at n cycle switching

$L_p$  = Inductance of primary side

$I_{PEAK}$  = Peak current at primary side

$V_{BAT}$  = Battery voltage

$T_{rr}(n)$  = Reverse recovery time at n cycle switching

OFF time is dependant on output voltage. As the output voltage gets higher, OFF time gets shorter (see [Equation 2](#)).

$$T_{OFF(n)} = N \times L \frac{I_{PEAK}}{V_{OUT(n)}} \quad (2)$$

Where:

$T_{OFF(n)}$  = OFF time at n cycle switching

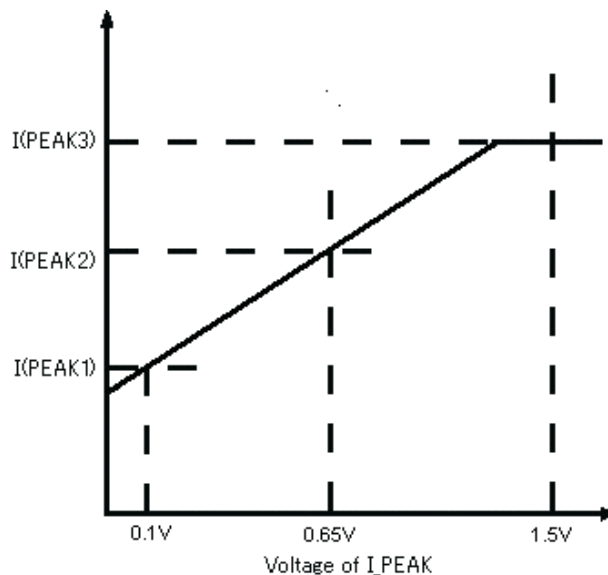
$N$  = Turn ration of transformer

$V_{OUT(n)}$  = Output voltage at n cycle switching

### Programming Peak Current

The TPS65573 provides a method to program the peak primary current with a voltage applied to the  $I_{PEAK}$  pin. [Figure 6](#) shows how to program  $I_{PEAK}$ .

[Figure 6](#) shows the relationship between  $I_{PEAK}$  pin voltage and a peak current at the primary side. This function has the analog slope controlled by  $I_{PEAK}$ . The maximum voltage to control peak current at the primary side is around 1.2 V.



**Figure 6.  $I_{PEAK}$  Pin Voltage vs Peak Current at Primary Side**



Typical usages of this function are:

- Setting the peak charging currents based on the battery voltage. The easiest way is to connect a resistive divider with battery voltage. This saves battery life.
- Reducing peak current at the primary side when the system powers a zoom-lens motor. This avoids inadvertent shutdowns due to a large current from the battery.

In [Figure 1](#), three optional connections to I\_PEAK are shown:

1. Use the controller to input PWM signal with RC filter.
2. Use a digital-to-analog converter (DAC).
3. Use a resistive divider to input a fixed value into I\_PEAK.

Methods 1 and 2 make it possible to delicately control peak current at the primary side. For example, set higher current during initial charging, but set lower current just before complete charging. This effectively saves the battery life.

### IGBT Driver Control

The TPS65573 integrates an IGBT driver for flashing the xenon tube. After charge completion, the xenon tube allows turnon with the IGBT driver. If the earlier flashing is needed before charge completion, the confirmation of the lowest allowable flashing voltage to apply to the xenon tube is required.

G\_IGBT should be connected to the gate of IGBT as close as possible to avoid the misoperation of flashing or breaking the gate of IGBT. The output voltage of G\_IGBT voltage depends on IGBT\_VCC. The rise time and fall time of G\_IGBT are almost the same because the TPS65573 does not include a pullup/pulldown resistor for the IGBT driver. The rise time and fall time should be met with the value specified in the data sheet of the IGBT to avoid breaking the IGBT.

The IGBT drive has one logic input, named F\_ON. To turn on the xenon tube, high-level signal should be inputted into both F\_ON.

### Protection

The TPS65573 provides two protection mechanisms; thermal shutdown and overcurrent protection.

#### ***Thermal Shutdown (TSD)***

Once the TPS65573 die temperature reaches a specific temperature, the operation is immediately latched off. To recover the operation, the TPS65573 die temperature should be lower than a specific temperature and forced to a low level at CHG if protection is needed.

#### ***Overcurrent Protection (OCP)***

The TPS65573 has OCP at the SW pin. The TPS65573 is latched off if the SW pin is dropped to compare VBAT pin voltage during the switch ON time. The threshold is specified in Overcurrent Protection Trigger Voltage at SW in Electrical Characteristics. To recover the operation, the CHG level is forced to a low level after protection occurs and peak current is less than threshold.

**PACKAGING INFORMATION**

Orderable Device	Status (1)	Package Type	Package Drawing	Pins	Package Qty	Eco Plan (2)	Lead/Ball Finish	MSL Peak Temp (3)	Op Temp (°C)	Top-Side Markings (4)	Samples
TPS65573DSSR	NRND	WSON	DSS	12	3000	Green (RoHS & no Sb/Br)	CU NIPDAU	Level-2-260C-1 YEAR	-35 to 85	CVR	
TPS65573DSST	NRND	WSON	DSS	12	250	Green (RoHS & no Sb/Br)	CU NIPDAU	Level-2-260C-1 YEAR	-35 to 85	CVR	

(1) The marketing status values are defined as follows:

**ACTIVE:** Product device recommended for new designs.

**LIFEBUY:** TI has announced that the device will be discontinued, and a lifetime-buy period is in effect.

**NRND:** Not recommended for new designs. Device is in production to support existing customers, but TI does not recommend using this part in a new design.

**PREVIEW:** Device has been announced but is not in production. Samples may or may not be available.

**OBSOLETE:** TI has discontinued the production of the device.

(2) Eco Plan - The planned eco-friendly classification: Pb-Free (RoHS), Pb-Free (RoHS Exempt), or Green (RoHS & no Sb/Br) - please check <http://www.ti.com/productcontent> for the latest availability information and additional product content details.

**TBD:** The Pb-Free/Green conversion plan has not been defined.

**Pb-Free (RoHS):** TI's terms "Lead-Free" or "Pb-Free" mean semiconductor products that are compatible with the current RoHS requirements for all 6 substances, including the requirement that lead not exceed 0.1% by weight in homogeneous materials. Where designed to be soldered at high temperatures, TI Pb-Free products are suitable for use in specified lead-free processes.

**Pb-Free (RoHS Exempt):** This component has a RoHS exemption for either 1) lead-based flip-chip solder bumps used between the die and package, or 2) lead-based die adhesive used between the die and leadframe. The component is otherwise considered Pb-Free (RoHS compatible) as defined above.

**Green (RoHS & no Sb/Br):** TI defines "Green" to mean Pb-Free (RoHS compatible), and free of Bromine (Br) and Antimony (Sb) based flame retardants (Br or Sb do not exceed 0.1% by weight in homogeneous material)

(3) MSL, Peak Temp. -- The Moisture Sensitivity Level rating according to the JEDEC industry standard classifications, and peak solder temperature.

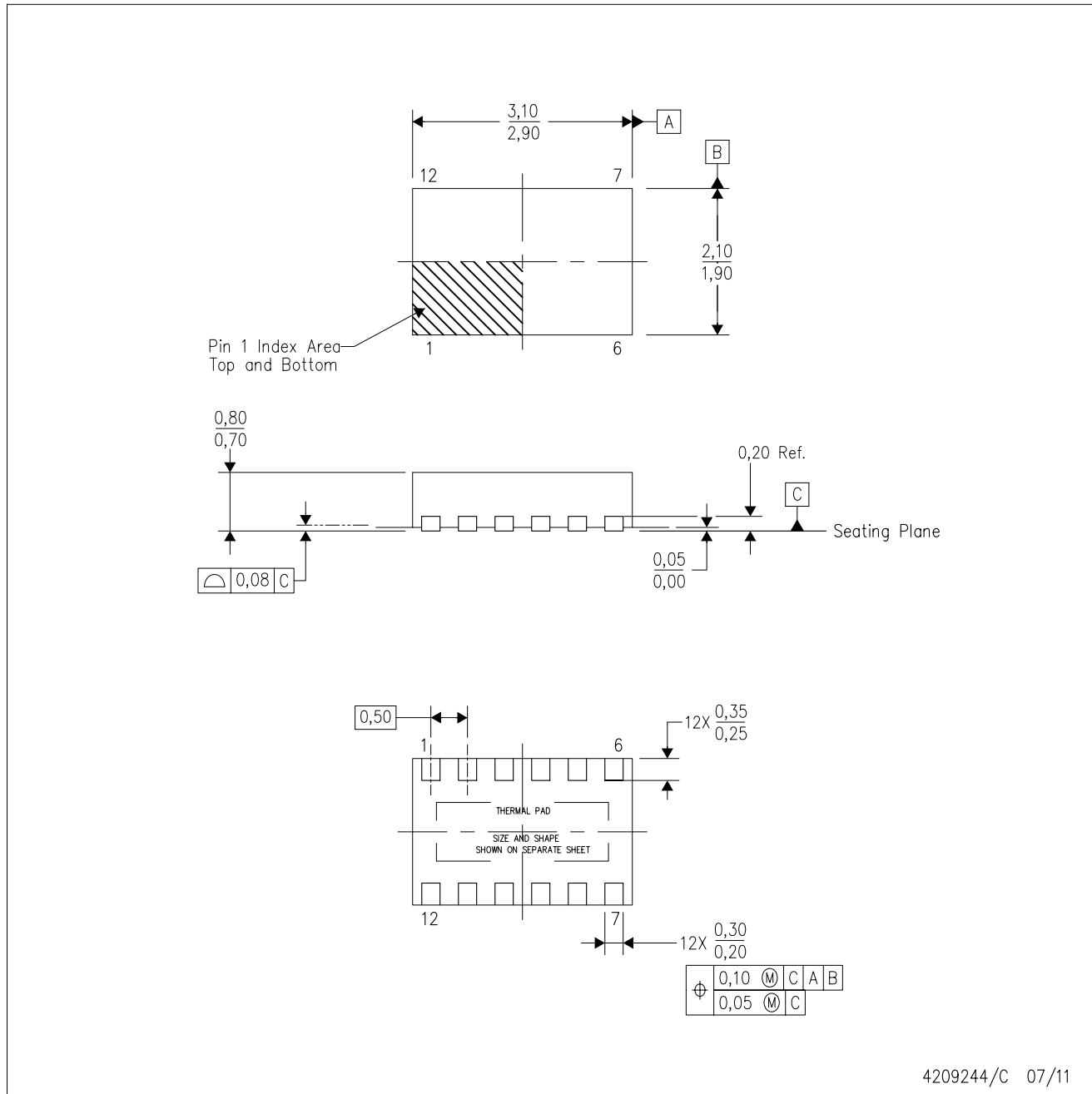
(4) Only one of markings shown within the brackets will appear on the physical device.

**Important Information and Disclaimer:** The information provided on this page represents TI's knowledge and belief as of the date that it is provided. TI bases its knowledge and belief on information provided by third parties, and makes no representation or warranty as to the accuracy of such information. Efforts are underway to better integrate information from third parties. TI has taken and continues to take reasonable steps to provide representative and accurate information but may not have conducted destructive testing or chemical analysis on incoming materials and chemicals. TI and TI suppliers consider certain information to be proprietary, and thus CAS numbers and other limited information may not be available for release.

In no event shall TI's liability arising out of such information exceed the total purchase price of the TI part(s) at issue in this document sold by TI to Customer on an annual basis.

DSS (R-PWSON-N12)

PLASTIC SMALL OUTLINE NO-LEAD



- NOTES:
- All linear dimensions are in millimeters.
  - This drawing is subject to change without notice.
  - SON (Small Outline No-Lead) package configuration.
  - The package thermal pad must be soldered to the board for thermal and mechanical performance.
  - See the additional figure in the Product Data Sheet for details regarding the exposed thermal pad features and dimensions.

## IMPORTANT NOTICE

Texas Instruments Incorporated and its subsidiaries (TI) reserve the right to make corrections, enhancements, improvements and other changes to its semiconductor products and services per JESD46, latest issue, and to discontinue any product or service per JESD48, latest issue. Buyers should obtain the latest relevant information before placing orders and should verify that such information is current and complete. All semiconductor products (also referred to herein as "components") are sold subject to TI's terms and conditions of sale supplied at the time of order acknowledgment.

TI warrants performance of its components to the specifications applicable at the time of sale, in accordance with the warranty in TI's terms and conditions of sale of semiconductor products. Testing and other quality control techniques are used to the extent TI deems necessary to support this warranty. Except where mandated by applicable law, testing of all parameters of each component is not necessarily performed.

TI assumes no liability for applications assistance or the design of Buyers' products. Buyers are responsible for their products and applications using TI components. To minimize the risks associated with Buyers' products and applications, Buyers should provide adequate design and operating safeguards.

TI does not warrant or represent that any license, either express or implied, is granted under any patent right, copyright, mask work right, or other intellectual property right relating to any combination, machine, or process in which TI components or services are used. Information published by TI regarding third-party products or services does not constitute a license to use such products or services or a warranty or endorsement thereof. Use of such information may require a license from a third party under the patents or other intellectual property of the third party, or a license from TI under the patents or other intellectual property of TI.

Reproduction of significant portions of TI information in TI data books or data sheets is permissible only if reproduction is without alteration and is accompanied by all associated warranties, conditions, limitations, and notices. TI is not responsible or liable for such altered documentation. Information of third parties may be subject to additional restrictions.

Resale of TI components or services with statements different from or beyond the parameters stated by TI for that component or service voids all express and any implied warranties for the associated TI component or service and is an unfair and deceptive business practice. TI is not responsible or liable for any such statements.

Buyer acknowledges and agrees that it is solely responsible for compliance with all legal, regulatory and safety-related requirements concerning its products, and any use of TI components in its applications, notwithstanding any applications-related information or support that may be provided by TI. Buyer represents and agrees that it has all the necessary expertise to create and implement safeguards which anticipate dangerous consequences of failures, monitor failures and their consequences, lessen the likelihood of failures that might cause harm and take appropriate remedial actions. Buyer will fully indemnify TI and its representatives against any damages arising out of the use of any TI components in safety-critical applications.

In some cases, TI components may be promoted specifically to facilitate safety-related applications. With such components, TI's goal is to help enable customers to design and create their own end-product solutions that meet applicable functional safety standards and requirements. Nonetheless, such components are subject to these terms.

No TI components are authorized for use in FDA Class III (or similar life-critical medical equipment) unless authorized officers of the parties have executed a special agreement specifically governing such use.

Only those TI components which TI has specifically designated as military grade or "enhanced plastic" are designed and intended for use in military/aerospace applications or environments. Buyer acknowledges and agrees that any military or aerospace use of TI components which have **not** been so designated is solely at the Buyer's risk, and that Buyer is solely responsible for compliance with all legal and regulatory requirements in connection with such use.

TI has specifically designated certain components as meeting ISO/TS16949 requirements, mainly for automotive use. In any case of use of non-designated products, TI will not be responsible for any failure to meet ISO/TS16949.

### Products

Audio	<a href="http://www.ti.com/audio">www.ti.com/audio</a>
Amplifiers	<a href="http://amplifier.ti.com">amplifier.ti.com</a>
Data Converters	<a href="http://dataconverter.ti.com">dataconverter.ti.com</a>
DLP® Products	<a href="http://www.dlp.com">www.dlp.com</a>
DSP	<a href="http://dsp.ti.com">dsp.ti.com</a>
Clocks and Timers	<a href="http://www.ti.com/clocks">www.ti.com/clocks</a>
Interface	<a href="http://interface.ti.com">interface.ti.com</a>
Logic	<a href="http://logic.ti.com">logic.ti.com</a>
Power Mgmt	<a href="http://power.ti.com">power.ti.com</a>
Microcontrollers	<a href="http://microcontroller.ti.com">microcontroller.ti.com</a>
RFID	<a href="http://www.ti-rfid.com">www.ti-rfid.com</a>
OMAP Applications Processors	<a href="http://www.ti.com/omap">www.ti.com/omap</a>
Wireless Connectivity	<a href="http://www.ti.com/wirelessconnectivity">www.ti.com/wirelessconnectivity</a>

### Applications

Automotive and Transportation	<a href="http://www.ti.com/automotive">www.ti.com/automotive</a>
Communications and Telecom	<a href="http://www.ti.com/communications">www.ti.com/communications</a>
Computers and Peripherals	<a href="http://www.ti.com/computers">www.ti.com/computers</a>
Consumer Electronics	<a href="http://www.ti.com/consumer-apps">www.ti.com/consumer-apps</a>
Energy and Lighting	<a href="http://www.ti.com/energy">www.ti.com/energy</a>
Industrial	<a href="http://www.ti.com/industrial">www.ti.com/industrial</a>
Medical	<a href="http://www.ti.com/medical">www.ti.com/medical</a>
Security	<a href="http://www.ti.com/security">www.ti.com/security</a>
Space, Avionics and Defense	<a href="http://www.ti.com/space-avionics-defense">www.ti.com/space-avionics-defense</a>
Video and Imaging	<a href="http://www.ti.com/video">www.ti.com/video</a>

### TI E2E Community

[e2e.ti.com](http://e2e.ti.com)