

TM124FBK32H, TM124FBK32I 1 048 576 BY 32-BIT TM248GBK32H, TM248GBK32I 2 097 152 BY 32-BIT DYNAMIC RAM MODULES

SMMS678 – APRIL 1997

- **Organization**
TM124FBK32H/I . . . 1 048 576 × 32
TM248GBK32H/I . . . 2 097 152 × 32
- **Single 5-V Power Supply (±10% Tolerance)**
- **72-Pin Single In-Line Memory Module (SIMM) for Use With Socket**
- **TM124FBK32H/I – Uses Two 16M-Bit Dynamic Random-Access Memories (DRAMs) in Plastic Small-Outline J-Lead (SOJ) Package**
- **TM248GBK32H/I – Uses Four 16M-Bit DRAMs in Plastic SOJ Package**
- **Long Refresh Period**
16 ms (1024 Cycles)
- **All Inputs, Outputs, Clocks Fully TTL-Compatible**
- **3-State Output**
- **Common $\overline{\text{CAS}}$ Control for Eight Common Data-In and Data-Out Lines in Four Blocks**
- **Extended Data Out (EDO) Operation With $\overline{\text{CAS}}$ -Before- $\overline{\text{RAS}}$ (CBR), $\overline{\text{RAS}}$ -Only, Hidden Refresh, and Self Refresh**

- **Presence Detect**
- **JEDEC First Generation 72-Pin SIMM Pinout**

- **Performance Ranges:**

	ACCESS TIME t_{RAC} (MAX)	ACCESS TIME t_{AA} (MAX)	ACCESS TIME t_{CAC} (MAX)	EDO CYCLE t_{HPC} (MIN)
*124FBK32H/I-50	50 ns	25 ns	13 ns	20 ns
*124FBK32H/I-60	60 ns	30 ns	15 ns	25 ns
*124FBK32H/I-70	70 ns	35 ns	18 ns	30 ns
*248GBK32H/I-50	50 ns	25 ns	13 ns	20 ns
*248GBK32H/I-60	60 ns	30 ns	15 ns	25 ns
*248GBK32H/I-70	70 ns	35 ns	18 ns	30 ns

- **Low Power Dissipation**
- **Operating Free-Air Temperature Range**
0°C to 70°C
- **Gold-Tabbed Versions Available:†**
TM124FBK32H
TM248GBK32H
- **Tin-Lead Solder-Tabbed Versions Available:**
TM124FBK32I
TM248GBK32I

description

TM124FBK32H/I

The TM124FBK32H/I is a 4M-byte DRAM organized as four times 1 048 576 × 8 in a 72-pin SIMM. The SIMM is composed of two TMS418169ADZ 1 048 576 × 16-bit DRAMs, each in a 42-lead plastic SOJ package mounted on a substrate with decoupling capacitors. The TMS418169ADZ is described in the TMS418169A data sheet (literature number SMKS892). The TM124FBK32H/I SIMM is available in the single-sided BK-leadless module for use with sockets.

TM248GBK32H/I

The TM248GBK32H/I is an 8M-byte DRAM organized as four times 2 097 152 × 8 in a 72-pin SIMM. The SIMM is composed of four TMS418169ADZ 1 048 576 × 16-bit DRAMs, each in a 42-lead plastic SOJ package mounted on a substrate with decoupling capacitors. The TMS418169ADZ is described in the TMS418169A data sheet (literature number SMKS892). The TM248GBK32H/I SIMM is available in the double-sided BK-leadless module for use with sockets.

operation

The TM124FBK32H/I operates as two TMS418169ADZs connected as shown in the functional block diagram and in Table 1. The TM248GBK32H/I operates as four TMS418169ADZs connected as shown in the functional block diagram and in Table 1. The common I/O feature dictates the use of early-write cycles to prevent contention on D and Q.



Please be aware that an important notice concerning availability, standard warranty, and use in critical applications of Texas Instruments semiconductor products and disclaimers thereto appears at the end of this data sheet.

† Part numbers in this data sheet are for the gold-tabbed version; the information applies to both gold-tabbed and solder-tabbed versions.

PRODUCTION DATA information is current as of publication date. Products conform to specifications per the terms of Texas Instruments standard warranty. Production processing does not necessarily include testing of all parameters.

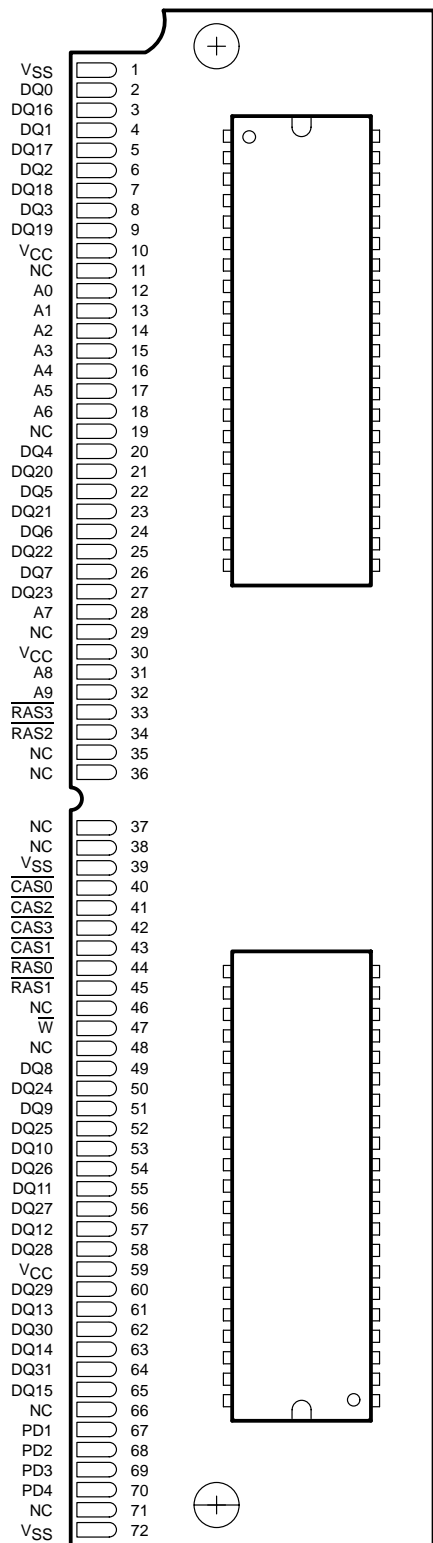


Copyright © 1997, Texas Instruments Incorporated

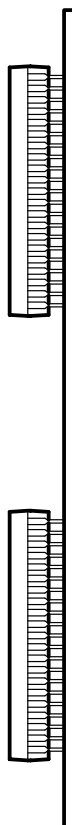
TM124FBK32H, TM124FBK32I 1 048 576 BY 32-BIT
TM248GBK32H, TM248GBK32I 2 097 152 BY 32-BIT
DYNAMIC RAM MODULES

SMMS678 – APRIL 1997

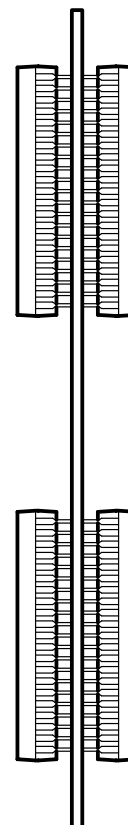
BK SINGLE IN-LINE MEMORY MODULE
(TOP VIEW)



TM124FBK32H/I
(SIDE VIEW)



TM248GBK32H/I
(SIDE VIEW)



PIN NOMENCLATURE	
A0–A9	Address Inputs
CAS0–CAS3	Column-Address Strobe
DQ0–DQ31	Data In/Data Out
NC	No Connection
PD1–PD4	Presence Detect
RAS0–RAS3	Row-Address Strobe
VCC	5-V Supply
VSS	Ground
W	Write Enable

PRESENCE DETECT					
SIGNAL (PIN)		PD1 (67)	PD2 (68)	PD3 (69)	PD4 (70)
TM124FBK32H/I	50 ns	VSS	VSS	VSS	VSS
	60 ns	VSS	VSS	NC	NC
	70 ns	VSS	VSS	VSS	NC
TM248GBK32H/I	50 ns	NC	NC	VSS	VSS
	60 ns	NC	NC	NC	NC
	70 ns	NC	NC	VSS	NC

operation (continued)

Table 1. Connection Table

DATA BLOCK	RASx		CASx
	SIDE 1	SIDE 2†	
DQ0–DQ7	RAS0	RAS1	CAS0
DQ8–DQ15	RAS0	RAS1	CAS1
DQ16–DQ23	RAS2	RAS3	CAS2
DQ24–DQ31	RAS2	RAS3	CAS3

† Side 2 applies to the TM248GBK32H and the TM248GBK32I.

single in-line memory module and components

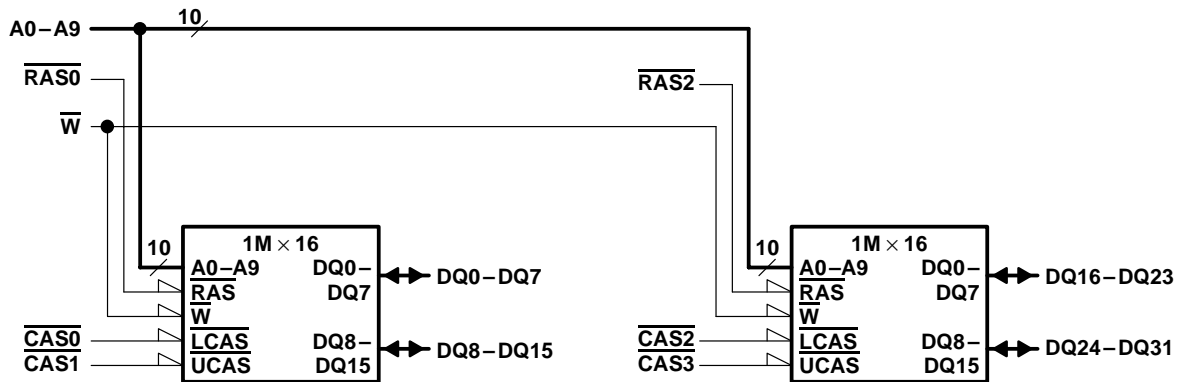
PC substrate: 1,27 ± 0,1 mm (0.05 inch) nominal thickness; 0.005 inch/inch maximum warpage

Bypass capacitors: Multilayer ceramic

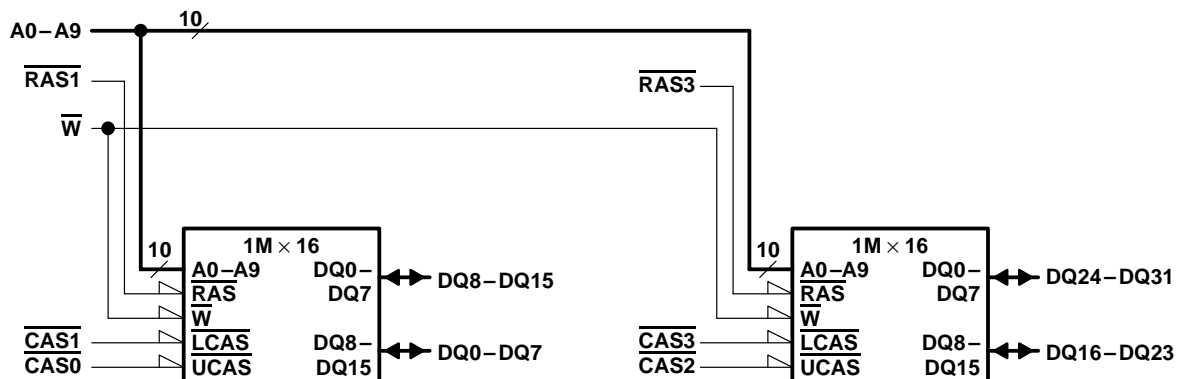
Contact area for TM124FBK32H and TM248GBK32H: Nickel plate and gold plate over copper

Contact area for TM124FBK32I and TM248GBK32I: Nickel plate and tin/lead over copper

functional block diagram (TM124FBK32H/I and TM248GBK32H/I, side 1)



functional block diagram (TM248GBK32H/I, side 2)



TM124FBK32H, TM124FBK32I 1 048576 BY 32-BIT
TM248GBK32H, TM248GBK32I 2097152 BY 32-BIT
DYNAMIC RAM MODULES

SMMS678 – APRIL 1997

absolute maximum ratings over operating free-air temperature range (unless otherwise noted)†

Supply voltage range, V_{CC} (see Note 1)	– 1 V to 7 V
Voltage range on any pin (see Note 1)	– 1 V to 7 V
Short-circuit output current	50 mA
Power dissipation: TM124FBK32H, TM124FBK32I	2 W
TM248GBK32H, TM248GBK32I	4 W
Operating free-air temperature range, T_A	0°C to 70°C
Storage temperature range, T_{stg}	– 55°C to 125°C

† Stresses beyond those listed under “absolute maximum ratings” may cause permanent damage to the device. These are stress ratings only, and functional operation of the device at these or any other conditions beyond those indicated under “recommended operating conditions” is not implied. Exposure to absolute-maximum-rated conditions for extended periods may affect device reliability.

NOTE 1: All voltage values are with respect to V_{SS} .

recommended operating conditions

	MIN	NOM	MAX	UNIT
V_{CC} Supply voltage	4.5	5	5.5	V
V_{IH} High-level input voltage	2.4		6.5	V
V_{IL} Low-level input voltage (see Note 2)	– 1		0.8	V
T_A Operating free-air temperature	0		70	°C

NOTE 2: The algebraic convention, where the more negative (less positive) limit is designated as minimum, is used for logic-voltage levels only.

electrical characteristics over recommended ranges of supply voltage and operating free-air temperature (unless otherwise noted)

PARAMETER	TEST CONDITIONS‡	'124FBK32H/I-50		'124FBK32H/I-60		'124FBK32H/I-70		UNIT
		MIN	MAX	MIN	MAX	MIN	MAX	
V_{OH} High-level output voltage	$I_{OH} = -5$ mA	2.4		2.4		2.4		V
V_{OL} Low-level output voltage	$I_{OL} = 4.2$ mA		0.4		0.4		0.4	V
I_I Input current (leakage)	$V_{CC} = 5.5$ V, $V_I = 0$ V to 6.5 V, All other pins = 0 V to V_{CC}		± 10		± 10		± 10	µA
I_O Output current (leakage)	$V_{CC} = 5.5$ V, $V_O = 0$ V to V_{CC} , CAS high		± 10		± 10		± 10	µA
I_{CC1} Read- or write-cycle current (see Note 3)	$V_{CC} = 5.5$ V, Minimum cycle		360		320		300	mA
I_{CC2} Standby current	$V_{IH} = 2.4$ V (TTL), After one memory cycle, \overline{RAS} and \overline{CAS} high		4		4		4	mA
	$V_{IH} = V_{CC} - 0.2$ V (CMOS), After one memory cycle, \overline{RAS} and \overline{CAS} high		2		2		2	mA
I_{CC3} Average refresh current (RAS only or CBR) (see Note 3)	$V_{CC} = 5.5$ V, Minimum cycle, \overline{RAS} cycling, \overline{CAS} high (RAS only); \overline{RAS} low after \overline{CAS} low (CBR)		360		320		300	mA
I_{CC4} Average EDO current (see Note 4)	$V_{CC} = 5.5$ V, $t_{HPC} = \text{MIN}$, \overline{RAS} low, \overline{CAS} cycling		280		220		200	mA

‡ For test conditions shown as MIN/MAX, use the appropriate value specified under recommended operating conditions.

NOTES: 3. Measured with a maximum of one address change while $\overline{RAS} = V_{IL}$
 4. Measured with a maximum of one address change while $\overline{CAS} = V_{IH}$



TM124FBK32H, TM124FBK32I 1048576 BY 32-BIT
TM248GBK32H, TM248GBK32I 2097152 BY 32-BIT
DYNAMIC RAM MODULES

SMMS678 – APRIL 1997

electrical characteristics over recommended ranges of supply voltage and operating free-air temperature (unless otherwise noted) (continued)

PARAMETER	TEST CONDITIONS†	'248GBK32H/I-50		'248GBK32H/I-60		'248GBK32H/I-70		UNIT
		MIN	MAX	MIN	MAX	MIN	MAX	
V _{OH} High-level output voltage	I _{OH} = -5 mA	2.4		2.4		2.4		V
V _{OL} Low-level output voltage	I _{OL} = 4.2 mA		0.4		0.4		0.4	V
I _I Input current (leakage)	V _{CC} = 5.5 V, V _I = 0 V to 6.5 V, All other pins = 0 V to V _{CC}		± 10		± 10		± 10	µA
I _O Output current (leakage)	V _{CC} = 5.5 V, V _O = 0 V to V _{CC} , $\overline{\text{CAS}}$ high		± 20		± 20		± 20	µA
I _{CC1} Read- or write-cycle current (see Note 3)	V _{CC} = 5.5 V, Minimum cycle		362		322		302	mA
I _{CC2} Standby current	V _{IH} = 2.4 V (TTL), After one memory cycle, RAS and CAS high		8		8		8	mA
	V _{IH} = V _{CC} - 0.2 V (CMOS), After one memory cycle, RAS and CAS high		4		4		4	mA
I _{CC3} Average refresh current ($\overline{\text{RAS}}$ only or CBR) (see Notes 3 and 5)	V _{CC} = 5.5 V, Minimum cycle, $\overline{\text{RAS}}$ cycling, $\overline{\text{CAS}}$ high (RAS only); RAS low after $\overline{\text{CAS}}$ low (CBR)		720		640		600	mA
I _{CC4} Average EDO current (see Note 4)	V _{CC} = 5.5 V, RAS low, t _{PC} = MIN, CAS cycling		560		440		400	mA

† For test conditions shown as MIN/MAX, use the appropriate value specified under recommended operating conditions.

- NOTES: 3. Measured with a maximum of one address change while $\overline{\text{RAS}}$ = V_{IL}
4. Measured with a maximum of one address change while CAS = V_{IH}
5. Measured with both sides in CBR cycle

capacitance over recommended ranges of supply voltage and operating free-air temperature, f = 1 MHz (see Note 6)

PARAMETER	'124FBK32H/I		'248GBK32FH/I		UNIT
	MIN	MAX	MIN	MAX	
C _{i(A)} Input capacitance, A0–A9		12		22	pF
C _{i(R)} Input capacitance, $\overline{\text{RAS}}$ inputs		8		8	pF
C _{i(C)} Input capacitance, $\overline{\text{CAS}}$ inputs		8		15	pF
C _{i(W)} Input capacitance, $\overline{\text{W}}$		16		30	pF
C _{o(DQ)} Output capacitance on DQ0–DQ31		8		15	pF

NOTE 6: V_{CC} = 5 V ± 0.5 V, and the bias on pins under test is 0 V.



TM124FBK32H, TM124FBK32I 1 048576 BY 32-BIT
TM248GBK32H, TM248GBK32I 2097152 BY 32-BIT
DYNAMIC RAM MODULES

SMMS678 – APRIL 1997

switching characteristics over recommended ranges of supply voltage and operating free-air temperature

PARAMETER	'124FBK32H/I-50 '248GBK32H/I-50		'124FBK32H/I-60 '248GBK32H/I-60		'124FBK32H/I-70 '248GBK32H/I-70		UNIT
	MIN	MAX	MIN	MAX	MIN	MAX	
t _{AA} Access time from column address	25		30		35		ns
t _{CAC} Access time from $\overline{\text{CAS}}$ low	13		15		18		ns
t _{RAC} Access time from $\overline{\text{RAS}}$ low	50		60		70		ns
t _{CPA} Access time from column precharge	28		35		40		ns
t _{CLZ} $\overline{\text{CAS}}$ to output in low-impedance state	0		0		0		ns
t _{REZ} Output disable time after $\overline{\text{RAS}}$ high (see Note 7)	3	13	3	15	3	18	ns
t _{WEZ} Output disable time after $\overline{\text{W}}$ low (see Note 7)	3	13	3	15	3	18	ns

NOTE 7: t_{REZ} and t_{WEZ} are specified when the output is no longer driven.

EDO timing requirements over recommended ranges of supply voltage and operating free-air temperature

	'124FBK32H/I-50 '248GBK32H/I-50		'124FBK32H/I-60 '248GBK32H/I-60		'124FBK32H/I-70 '248GBK32H/I-70		UNIT
	MIN	MAX	MIN	MAX	MIN	MAX	
t _{HPC} Cycle time, EDO page-mode read or write	20		25		30		ns
t _{PRWC} Cycle time, EDO read-write	57		68		78		ns
t _{CSH} Hold time, $\overline{\text{CAS}}$ from $\overline{\text{RAS}}$	40		48		58		ns
t _{DOH} Hold time, output from $\overline{\text{CAS}}$	5		5		5		ns
t _{CAS} Pulse duration, $\overline{\text{CAS}}$	8	10000	10	10000	12	10000	ns
t _{WPE} Pulse duration, $\overline{\text{W}}$ (output disable only)	7		7		7		ns
t _{CP} Precharge time, $\overline{\text{CAS}}$	8		10		10		ns

timing requirements over recommended ranges of supply voltage and operating free-air temperature

	'124FBK32H/I-50 '248GBK32H/I-50		'124FBK32H/I-60 '248GBK32H/I-60		'124FBK32H/I-70 '248GBK32H/I-70		UNIT
	MIN	MAX	MIN	MAX	MIN	MAX	
t _{RC} Cycle time, random read or write (see Note 8)	84		104		124		ns
t _{RWC} Cycle time, read-write	111		135		160		ns
t _{RASP} Pulse duration, page mode, $\overline{\text{RAS}}$ low	50	100 000	60	100 000	70	100 000	ns
t _{RAS} Pulse duration, nonpage mode, $\overline{\text{RAS}}$ low	50	10 000	60	10 000	70	10 000	ns
t _{RP} Pulse duration, $\overline{\text{RAS}}$ high (precharge)	30		40		50		ns
t _{WP} Pulse duration, $\overline{\text{W}}$ low	8		10		10		ns
t _{ASC} Setup time, column address before $\overline{\text{CAS}}$ low	0		0		0		ns
t _{ASR} Setup time, row address before $\overline{\text{RAS}}$ low	0		0		0		ns
t _{DS} Setup time, data before $\overline{\text{CAS}}$ low	0		0		0		ns
t _{RCS} Setup time, $\overline{\text{W}}$ high before $\overline{\text{CAS}}$ low	0		0		0		ns
t _{CWL} Setup time, $\overline{\text{W}}$ low before $\overline{\text{CAS}}$ high	8		10		12		ns

NOTE 8: The ac parameter assumes t_T = 2 ns.



**TM124FBK32H, TM124FBK32I 1 048576 BY 32-BIT
TM248GBK32H, TM248GBK32I 2097152 BY 32-BIT
DYNAMIC RAM MODULES**

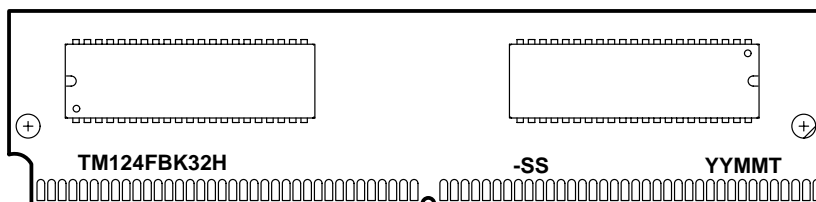
SMMS678 – APRIL 1997

timing requirements over recommended ranges of supply voltage and operating free-air temperature (continued)

		'124FBK32H/I-50 '248GBK32H/I-50		'124FBK32H/I-60 '248GBK32H/I-60		'124FBK32H/I-70 '248GBK32H/I-70		UNIT
		MIN	MAX	MIN	MAX	MIN	MAX	
tRWL	Setup time, \overline{W} low before \overline{RAS} high	8		10		12		ns
tWCS	Setup time, \overline{W} low before \overline{CAS} low	0		0		0		ns
tCAH	Hold time, column address after \overline{CAS} low	8		10		15		ns
tDH	Hold time, data after \overline{CAS} low	8		10		15		ns
tRAH	Hold time, row address after \overline{RAS} low	8		10		10		ns
tRCH	Hold time, \overline{W} high after \overline{CAS} high (see Note 9)	0		0		0		ns
tRRH	Hold time, \overline{W} high after \overline{RAS} high (see Note 9)	0		0		0		ns
tWCH	Hold time, \overline{W} low after \overline{CAS} low	8		10		12		ns
tRHCP	Hold time, \overline{RAS} high from \overline{CAS} precharge	28		35		40		ns
tCHR	Delay time, \overline{RAS} low to \overline{CAS} high (CBR refresh only)	8		10		10		ns
tCRP	Delay time, \overline{CAS} high to \overline{RAS} low	5		5		5		ns
tCSR	Delay time, \overline{CAS} low to \overline{RAS} low (CBR refresh only)	5		5		5		ns
tRAD	Delay time, \overline{RAS} low to column address (see Note 10)	12	25	15	30	15	35	ns
tRAL	Delay time, column address to \overline{RAS} high	25		30		35		ns
tCAL	Delay time, column address to \overline{CAS} high	18		20		25		ns
tRCD	Delay time, \overline{RAS} low to \overline{CAS} low (see Note 10)	17	37	20	45	20	52	ns
tRPC	Delay time, \overline{RAS} high to \overline{CAS} low (CBR only)	5		5		5		ns
tRSH	Delay time, \overline{CAS} low to \overline{RAS} high	8		10		12		ns
tREF	Refresh time interval		16		16		16	ms
tT	Transition time	2	30	2	30	2	30	ns

NOTES: 9. Either tRRH or tRCH must be satisfied for a read cycle.
10. The maximum value is specified only to assure access time.

device symbolization (TM124FBK32H illustrated)



YY = Year Code
MM = Month Code
T = Assembly Site Code
-SS = Speed Code

NOTE A: Location of symbolization may vary.

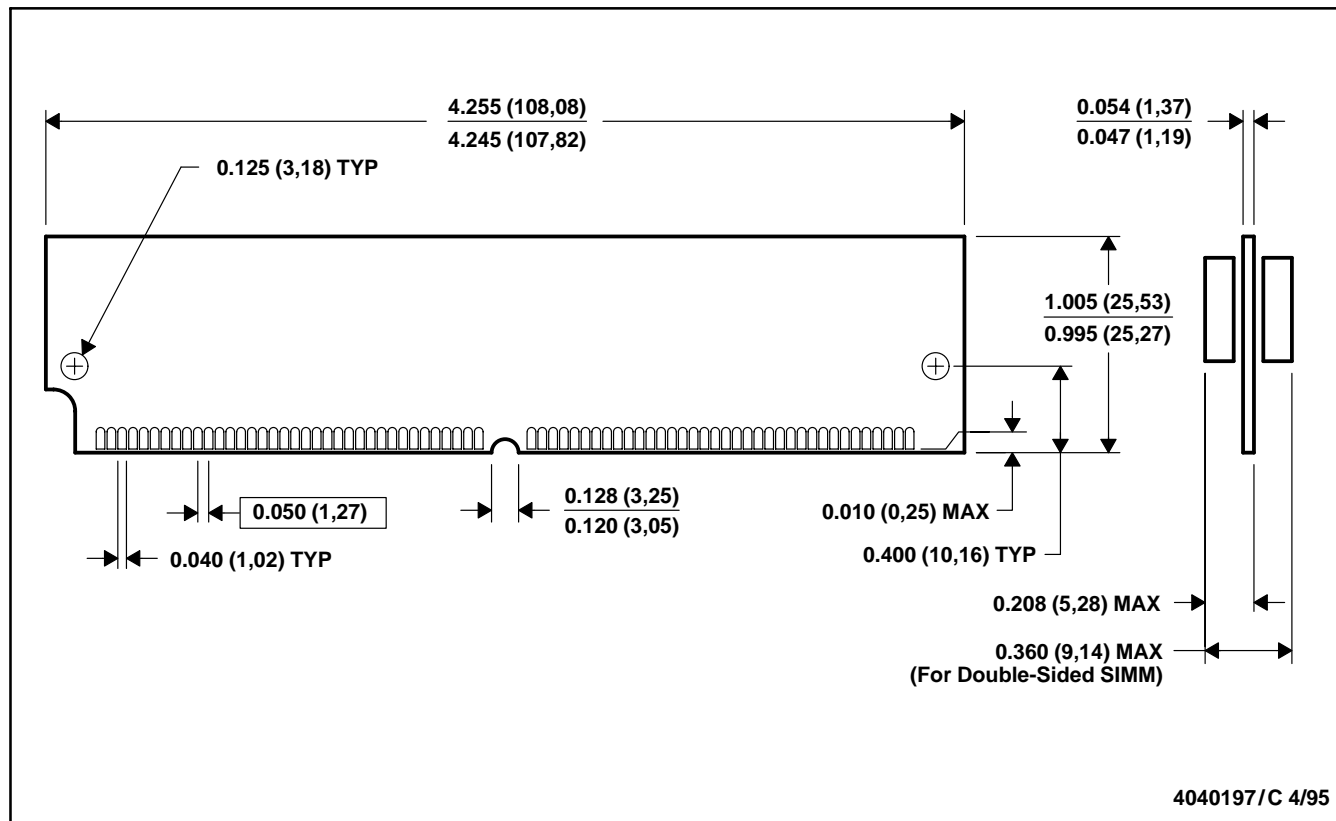
TM124FBK32H, TM124FBK32I 1 048576 BY 32-BIT
TM248GBK32H, TM248GBK32I 2097152 BY 32-BIT
DYNAMIC RAM MODULES

SMMS678 – APRIL 1997

MECHANICAL DATA

BK (R-PSIM-N72)

SINGLE-IN-LINE MEMORY MODULE



4040197/C 4/95

NOTES: A. All linear dimensions are in inches (millimeters).
 B. This drawing is subject to change without notice.



POST OFFICE BOX 1443 • HOUSTON, TEXAS 77251-1443

IMPORTANT NOTICE

Texas Instruments and its subsidiaries (TI) reserve the right to make changes to their products or to discontinue any product or service without notice, and advise customers to obtain the latest version of relevant information to verify, before placing orders, that information being relied on is current and complete. All products are sold subject to the terms and conditions of sale supplied at the time of order acknowledgment, including those pertaining to warranty, patent infringement, and limitation of liability.

TI warrants performance of its products to the specifications applicable at the time of sale in accordance with TI's standard warranty. Testing and other quality control techniques are utilized to the extent TI deems necessary to support this warranty. Specific testing of all parameters of each device is not necessarily performed, except those mandated by government requirements.

Customers are responsible for their applications using TI components.

In order to minimize risks associated with the customer's applications, adequate design and operating safeguards must be provided by the customer to minimize inherent or procedural hazards.

TI assumes no liability for applications assistance or customer product design. TI does not warrant or represent that any license, either express or implied, is granted under any patent right, copyright, mask work right, or other intellectual property right of TI covering or relating to any combination, machine, or process in which such products or services might be or are used. TI's publication of information regarding any third party's products or services does not constitute TI's approval, license, warranty or endorsement thereof.

Reproduction of information in TI data books or data sheets is permissible only if reproduction is without alteration and is accompanied by all associated warranties, conditions, limitations and notices. Representation or reproduction of this information with alteration voids all warranties provided for an associated TI product or service, is an unfair and deceptive business practice, and TI is not responsible nor liable for any such use.

Resale of TI's products or services with statements different from or beyond the parameters stated by TI for that product or service voids all express and any implied warranties for the associated TI product or service, is an unfair and deceptive business practice, and TI is not responsible nor liable for any such use.

Also see: [Standard Terms and Conditions of Sale for Semiconductor Products](http://www.ti.com/sc/docs/stdterms.htm). www.ti.com/sc/docs/stdterms.htm

Mailing Address:

Texas Instruments
Post Office Box 655303
Dallas, Texas 75265