

Precision Clock Conditioner with Integrated PLL

Check for Samples: [LMK02000](#)

FEATURES

- 20 fs Additive Jitter
- Integrated Integer-N PLL with Outstanding Normalized Phase Noise Contribution of -224 dBc/Hz
- Clock Output Frequency Range of 1 to 800 MHz
- 3 LVDS and 5 LVPECL Clock Outputs
- Dedicated Divider and Delay Blocks on Each Clock Output
- Pin Compatible Family of Clocking Devices
- 3.15 to 3.45 V Operation
- Package: 48 Pin WQFN (7.0 x 7.0 x 0.8 mm)

TARGET APPLICATIONS

- Data Converter Clocking
- Networking, SONET/SDH, DSLAM
- Wireless Infrastructure
- Medical
- Test and Measurement
- Military / Aerospace

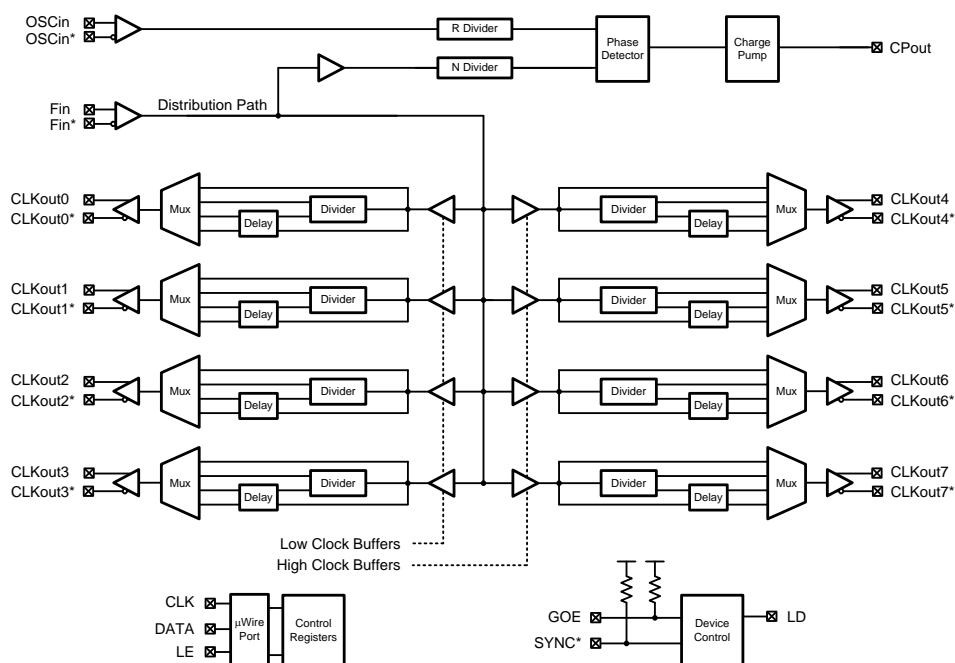
DESCRIPTION

The LMK02000 precision clock conditioner combines the functions of jitter cleaning/reconditioning, multiplication, and distribution of a reference clock. The device integrates a high performance Integer-N Phase Locked Loop (PLL), three LVDS, and five LVPECL clock output distribution blocks.

Each clock distribution block includes a programmable divider, a phase synchronization circuit, a programmable delay, a clock output mux, and an LVDS or LVPECL output buffer. This allows multiple integer-related and phase-adjusted copies of the reference to be distributed to eight system components.

The clock conditioner comes in a 48-pin WQFN package and is footprint compatible with other clocking devices in the same family.

Functional Block Diagram

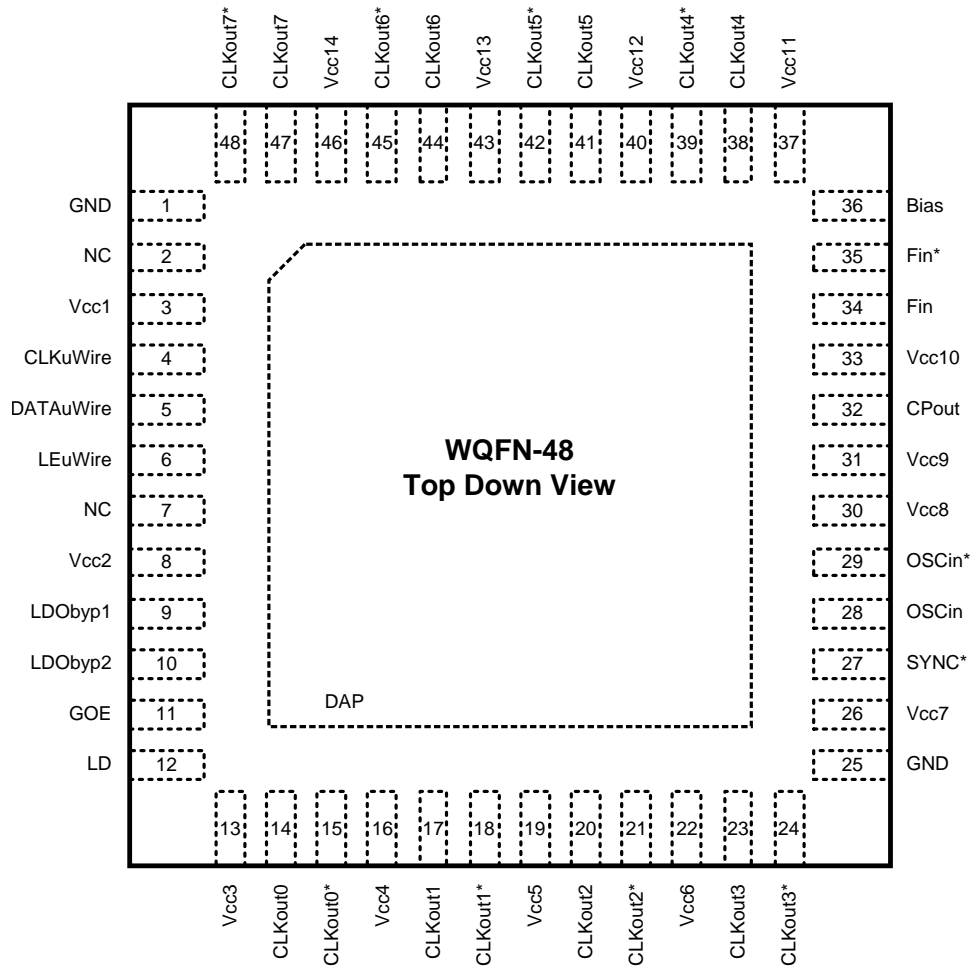


Please be aware that an important notice concerning availability, standard warranty, and use in critical applications of Texas Instruments semiconductor products and disclaimers thereto appears at the end of this data sheet.

All trademarks are the property of their respective owners.

Connection Diagram

Figure 1. 48-Pin WQFN Package



Pin Descriptions

| Pin # | Pin Name | I/O | Description |
|--|---|-----|--|
| 1, 25 | GND | - | Ground |
| 2, 7 | NC | - | No Connection to these pins |
| 3, 8, 13, 16, 19, 22, 26, 30, 31, 33, 37, 40, 43, 46 | Vcc1, Vcc2, Vcc3, Vcc4, Vcc5, Vcc6, Vcc7, Vcc8, Vcc9, Vcc10, Vcc11, Vcc12, Vcc13, Vcc14 | - | Power Supply |
| 4 | CLKuWire | I | MICROWIRE Clock Input |
| 5 | DATAuWire | I | MICROWIRE Data Input |
| 6 | LEuWire | I | MICROWIRE Latch Enable Input |
| 9, 10 | LDObyp1, LDObyp2 | - | LDO Bypass |
| 11 | GOE | I | Global Output Enable |
| 12 | LD | O | Lock Detect and Test Output |
| 14, 15 | CLKout0, CLKout0* | O | LVDS Clock Output 0 |
| 17, 18 | CLKout1, CLKout1* | O | LVDS Clock Output 1 |
| 20, 21 | CLKout2, CLKout2* | O | LVDS Clock Output 2 |
| 23, 24 | CLKout3, CLKout3* | O | LVPECL Clock Output 3 |
| 27 | SYNC* | I | Global Clock Output Synchronization |
| 28, 29 | OSCin, OSCin* | I | Oscillator Clock Input; Must be AC coupled |

Pin Descriptions (continued)

| Pin # | Pin Name | I/O | Description |
|--------|-------------------|-----|-------------------------------------|
| 32 | CPout | O | Charge Pump Output |
| 34, 35 | Fin, Fin* | I | Frequency Input; Must be AC coupled |
| 36 | Bias | I | Bias Bypass |
| 38, 39 | CLKout4, CLKout4* | O | LVPECL Clock Output 4 |
| 41, 42 | CLKout5, CLKout5* | O | LVPECL Clock Output 5 |
| 44, 45 | CLKout6, CLKout6* | O | LVPECL Clock Output 6 |
| 47, 48 | CLKout7, CLKout7* | O | LVPECL Clock Output 7 |
| DAP | DAP | - | Die Attach Pad is Ground |



These devices have limited built-in ESD protection. The leads should be shorted together or the device placed in conductive foam during storage or handling to prevent electrostatic damage to the MOS gates.

Absolute Maximum Ratings ⁽¹⁾⁽²⁾⁽³⁾

| Parameter | Symbol | Ratings | Units |
|-------------------------------|-----------|----------------------------|-------|
| Power Supply Voltage | V_{CC} | -0.3 to 3.6 | V |
| Input Voltage | V_{IN} | -0.3 to ($V_{CC} + 0.3$) | V |
| Storage Temperature Range | T_{STG} | -65 to 150 | °C |
| Lead Temperature (solder 4 s) | T_L | +260 | °C |
| Junction Temperature | T_J | 125 | °C |

- (1) "Absolute Maximum Ratings" indicate limits beyond which damage to the device may occur, including inoperability and degradation of device reliability and/or performance. Functional operation of the device and/or non-degradation at the Absolute Maximum Ratings or other conditions beyond those indicated in the Recommended Operating Conditions is not implied. The Recommended Operating Conditions indicate conditions at which the device is functional and the device should not be operated beyond such conditions.
- (2) This device is a high performance integrated circuit with ESD handling precautions. Handling of this device should only be done at ESD protected work stations. The device is rated to a HBM-ESD of > 2 kV, a MM-ESD of > 200 V, and a CDM-ESD of > 1.2 kV.
- (3) If Military/Aerospace specified devices are required, please contact the Texas Instruments Sales Office/ Distributors for availability and specifications.

Recommended Operating Conditions

| Parameter | Symbol | Min | Typ | Max | Units |
|----------------------|----------|------|-----|------|-------|
| Ambient Temperature | T_A | -40 | 25 | 85 | °C |
| Power Supply Voltage | V_{CC} | 3.15 | 3.3 | 3.45 | V |

Package Thermal Resistance

| Package | θ_{JA} | θ_{J-PAD} (Thermal Pad) |
|-----------------------------|---------------|--------------------------------|
| 48-Lead WQFN ⁽¹⁾ | 27.4° C/W | 5.8° C/W |

- (1) Specification assumes 16 thermal vias connect the die attach pad to the embedded copper plane on the 4-layer JEDEC board. These vias play a key role in improving the thermal performance of the WQFN. It is recommended that the maximum number of vias be used in the board layout.

Electrical Characteristics ⁽¹⁾

(3.15 V ≤ V_{CC} ≤ 3.45 V, -40 °C ≤ T_A ≤ 85 °C, Differential Inputs/Outputs; except as specified. Typical values represent most likely parametric norms at V_{CC} = 3.3 V, T_A = 25 °C, and at the Recommended Operation Conditions at the time of product characterization and are not specified).

| Symbol | Parameter | Conditions | Min | Typ | Max | Units |
|-----------------------------|---|---|-----------------------|-------|-----|-----------------|
| Current Consumption | | | | | | |
| I _{CC} | Power Supply Current ⁽²⁾ | Entire device; CLKout0 & CLKout4 enabled in Bypass Mode | | 145.8 | | mA |
| | | Entire device; All Outputs Off (no emitter resistors placed) | | 70 | | |
| I _{CCPD} | Power Down Current | POWERDOWN = 1 | | 1 | | mA |
| Reference Oscillator | | | | | | |
| f _{OSCin square} | Reference Oscillator Input Frequency Range for Square Wave | AC coupled; Differential (V _{OD}) | 1 | | 200 | MHz |
| V _{OSCinsquare} | Square Wave Input Voltage for OSCin and OSCin* | | 0.2 | | 1.6 | V _{pp} |
| Frequency Input | | | | | | |
| f _{Fin} | Frequency Input Frequency Range | | 1 | | 800 | MHz |
| SLEW _{Fin} | Frequency Input Slew Rate | | ⁽³⁾⁽⁴⁾ 0.5 | | | V/ns |
| DUTY _{Fin} | Frequency Input Duty Cycle | | 40 | | 60 | % |
| P _{Fin} | Input Power Range for Fin or Fin* | AC coupled | -13 | | 8 | dBm |
| PLL | | | | | | |
| f _{COMP} | Phase Detector Frequency | | | | 40 | MHz |
| I _{SOURCEPout} | Charge Pump Source Current | V _{CPout} = V _{CC} /2, PLL_CP_GAIN = 1x | | 100 | | μA |
| | | V _{CPout} = V _{CC} /2, PLL_CP_GAIN = 4x | | 400 | | |
| | | V _{CPout} = V _{CC} /2, PLL_CP_GAIN = 16x | | 1600 | | |
| | | V _{CPout} = V _{CC} /2, PLL_CP_GAIN = 32x | | 3200 | | |
| I _{SINKCPout} | Charge Pump Sink Current | V _{CPout} = V _{CC} /2, PLL_CP_GAIN = 1x | | -100 | | μA |
| | | V _{CPout} = V _{CC} /2, PLL_CP_GAIN = 4x | | -400 | | |
| | | V _{CPout} = V _{CC} /2, PLL_CP_GAIN = 16x | | -1600 | | |
| | | V _{CPout} = V _{CC} /2, PLL_CP_GAIN = 32x | | -3200 | | |
| I _{CPoutTRI} | Charge Pump TRI-STATE Current | 0.5 V < V _{CPout} < V _{CC} - 0.5 V | | 2 | 10 | nA |
| I _{CPout%MIS} | Magnitude of Charge Pump Sink vs. Source Current Mismatch | V _{CPout} = V _{CC} / 2 T _A = 25°C | | 3 | | % |
| I _{CPoutVTUNE} | Magnitude of Charge Pump Current vs. Charge Pump Voltage Variation | 0.5 V < V _{CPout} < V _{CC} - 0.5 V T _A = 25°C | | 4 | | % |
| I _{CPoutTEMP} | Magnitude of Charge Pump Current vs. Temperature Variation | | | 4 | | % |
| PN10kHz | PLL 1/f Noise at 10 kHz Offset ⁽⁵⁾ Normalized to 1 GHz Output Frequency | PLL_CP_GAIN = 1x | | -117 | | dBc/Hz |
| | | PLL_CP_GAIN = 32x | | -122 | | |

- (1) The Electrical Characteristics tables list ensured specifications under the listed Recommended Operating Conditions except as otherwise modified or specified by the Electrical Characteristics Conditions and/or Notes. Typical specifications are estimations only and are not ensured.
- (2) See [CURRENT CONSUMPTION / POWER DISSIPATION CALCULATIONS](#) for more current consumption / power dissipation calculation information.
- (3) For all frequencies the slew rate, SLEW_{Fin}, is measured between 20% and 80%.
- (4) Specification is ensured by characterization and is not tested in production.
- (5) A specification in modeling PLL in-band phase noise is the 1/f flicker noise, L_{PLL_flicker}(f), which is dominant close to the carrier. Flicker noise has a 10 dB/decade slope. PN10kHz is normalized to a 10 kHz offset and a 1 GHz carrier frequency. PN10kHz = L_{PLL_flicker}(10 kHz) - 20log(Fout / 1 GHz), where L_{PLL_flicker}(f) is the single side band phase noise of only the flicker noise's contribution to total noise, L(f). To measure L_{PLL_flicker}(f) it is important to be on the 10 dB/decade slope close to the carrier. A high phase detector frequency and a clean crystal are important to isolating this noise source from the total phase noise, L(f). L_{PLL_flicker}(f) can be masked by the reference oscillator performance if a low power or noisy source is used. The total PLL inband phase noise performance is the sum of L_{PLL_flicker}(f) and L_{PLL_flat}(f).

Electrical Characteristics ⁽¹⁾ (continued)

(3.15 V ≤ V_{CC} ≤ 3.45 V, -40 °C ≤ T_A ≤ 85 °C, Differential Inputs/Outputs; except as specified. Typical values represent most likely parametric norms at V_{CC} = 3.3 V, T_A = 25 °C, and at the Recommended Operation Conditions at the time of product characterization and are not specified).

| Symbol | Parameter | Conditions | Min | Typ | Max | Units |
|--|---|---|---|---------------------------|-----------------|--------|
| PN1Hz | Normalized Phase Noise Contribution ⁽⁶⁾ | PLL_CP_GAIN = 1x | | -219 | | dBc/Hz |
| | | PLL_CP_GAIN = 32x | | -224 | | |
| Clock Distribution Section ⁽⁷⁾ - LVDS Clock Outputs (CLKout0 to CLKout2) | | | | | | |
| Jitter _{ADD} | Additive RMS Jitter ⁽⁷⁾ | R _L = 100 Ω Distribution Path = 800 MHz Bandwidth = 12 kHz to 20 MHz | | 20 | | fs |
| | | CLKoutX_MUX = Bypass CLKoutX_MUX = Divided CLKoutX_DIV = 4 | | 75 | | |
| t _{SKEW} | CLKoutX to CLKoutY ⁽⁴⁾ | Equal loading and identical clock configuration R _L = 100 Ω | -30 | ±4 | 30 | ps |
| V _{OD} | Differential Output Voltage | R _L = 100 Ω | 250 | 350 | 450 | mV |
| ΔV _{OD} | Change in magnitude of V _{OD} for complementary output states | R _L = 100 Ω | -50 | | 50 | mV |
| V _{OS} | Output Offset Voltage | R _L = 100 Ω | 1.070 | 1.25 | 1.370 | V |
| ΔV _{OS} | Change in magnitude of V _{OS} for complementary output states | R _L = 100 Ω | -35 | | 35 | mV |
| I _{SA} I _{SB} | Clock Output Short Circuit Current single ended | Single ended outputs shorted to GND | -24 | | 24 | mA |
| I _{SAB} | Clock Output Short Circuit Current differential | Complementary outputs tied together | -12 | | 12 | mA |
| Clock Distribution Section ⁽⁷⁾ - LVPECL Clock Outputs (CLKout3 to CLKout7) | | | | | | |
| Jitter _{ADD} | Additive RMS Jitter ⁽⁷⁾ | R _L = 100 Ω Distribution Path = 800 MHz Bandwidth = 12 kHz to 20 MHz | | 20 | | fs |
| | | | CLKoutX_MUX = Bypass CLKoutX_MUX = Divided CLKoutX_DIV = 4 | | 75 | |
| t _{SKEW} | CLKoutX to CLKoutY ⁽⁸⁾ | Equal loading and identical clock configuration Termination = 50 Ω to V _{CC} - 2 V | -30 | ±3 | 30 | ps |
| V _{OH} | Output High Voltage | Termination = 50 Ω to V _{CC} - 2 V | | V _{CC} - 0.98 | | V |
| V _{OL} | Output Low Voltage | | | V _{CC} - 1.8 | | V |
| V _{OD} | Differential Output Voltage | | 660 | 810 | 965 | mV |
| Digital LVTTTL Interfaces ⁽⁹⁾ | | | | | | |
| V _{IH} | High-Level Input Voltage | | 2.0 | | V _{CC} | V |
| V _{IL} | Low-Level Input Voltage | | | | 0.8 | V |
| I _{IH} | High-Level Input Current | V _{IH} = V _{CC} | -5.0 | | 5.0 | μA |
| I _{IL} | Low-Level Input Current | V _{IL} = 0 | -40.0 | | 5.0 | μA |
| V _{OH} | High-Level Output Voltage | I _{OH} = +500 μA | V _{CC} - 0.4 | | | V |

(6) A specification in modeling PLL in-band phase noise is the Normalized Phase Noise Contribution, L_{PLL_flat(f)}, of the PLL and is defined as PN1Hz = L_{PLL_flat(f)} - 20log(N) - 10log(f_{COMP}). L_{PLL_flat(f)} is the single side band phase noise measured at an offset frequency, f, in a 1 Hz Bandwidth and f_{COMP} is the phase detector frequency of the synthesizer. L_{PLL_flat(f)} contributes to the total noise, L(f). To measure L_{PLL_flat(f)} the offset frequency, f, must be chosen sufficiently smaller than the loop bandwidth of the PLL, and yet large enough to avoid a substantial noise contribution from the reference and flicker noise. L_{PLL_flat(f)} can be masked by the reference oscillator performance if a low power or noisy source is used.

(7) The Clock Distribution Section includes all parts of the device except the PLL section. Typical Additive Jitter specifications apply to the clock distribution section only.

(8) Specification is ensured by characterization and is not tested in production.

(9) Applies to GOE, LD, and SYNC*.

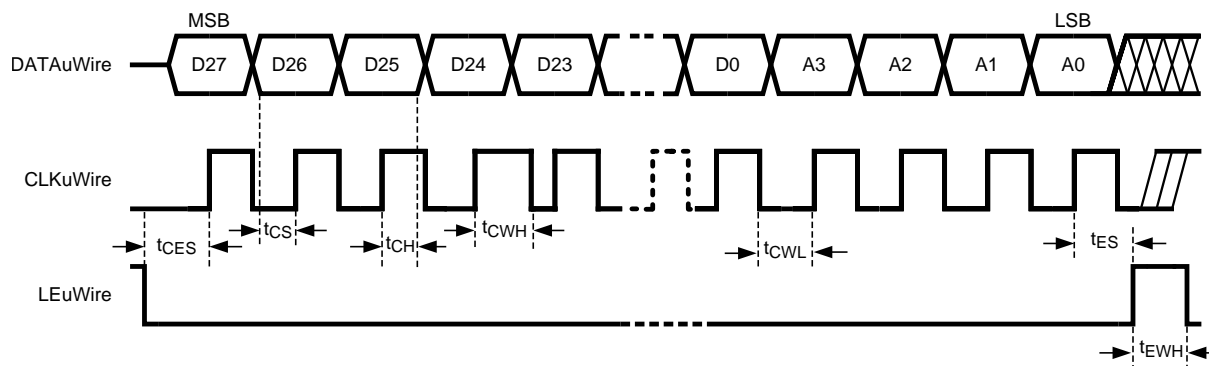
Electrical Characteristics ⁽¹⁾ (continued)

(3.15 V ≤ V_{CC} ≤ 3.45 V, -40 °C ≤ T_A ≤ 85 °C, Differential Inputs/Outputs; except as specified. Typical values represent most likely parametric norms at V_{CC} = 3.3 V, T_A = 25 °C, and at the Recommended Operation Conditions at the time of product characterization and are not specified).

| Symbol | Parameter | Conditions | Min | Typ | Max | Units |
|---|-----------------------------|---------------------------------------|------|-----|-----------------|-------|
| V _{OL} | Low-Level Output Voltage | I _{OL} = -500 μA | | | 0.4 | V |
| Digital MICROWIRE Interfaces ⁽¹⁰⁾ | | | | | | |
| V _{IH} | High-Level Input Voltage | | 1.6 | | V _{CC} | V |
| V _{IL} | Low-Level Input Voltage | | | | 0.4 | V |
| I _{IH} | High-Level Input Current | V _{IH} = V _{CC} | -5.0 | | 5.0 | μA |
| I _{IL} | Low-Level Input Current | V _{IL} = 0 | -5.0 | | 5.0 | μA |
| MICROWIRE Timing | | | | | | |
| t _{CS} | Data to Clock Set Up Time | See Data Input Timing | 25 | | | ns |
| t _{CH} | Data to Clock Hold Time | See Data Input Timing | 8 | | | ns |
| t _{CWH} | Clock Pulse Width High | See Data Input Timing | 25 | | | ns |
| t _{CWL} | Clock Pulse Width Low | See Data Input Timing | 25 | | | ns |
| t _{ES} | Clock to Enable Set Up Time | See Data Input Timing | 25 | | | ns |
| t _{CES} | Enable to Clock Set Up Time | See Data Input Timing | 25 | | | ns |
| t _{EWH} | Enable Pulse Width High | See Data Input Timing | 25 | | | ns |

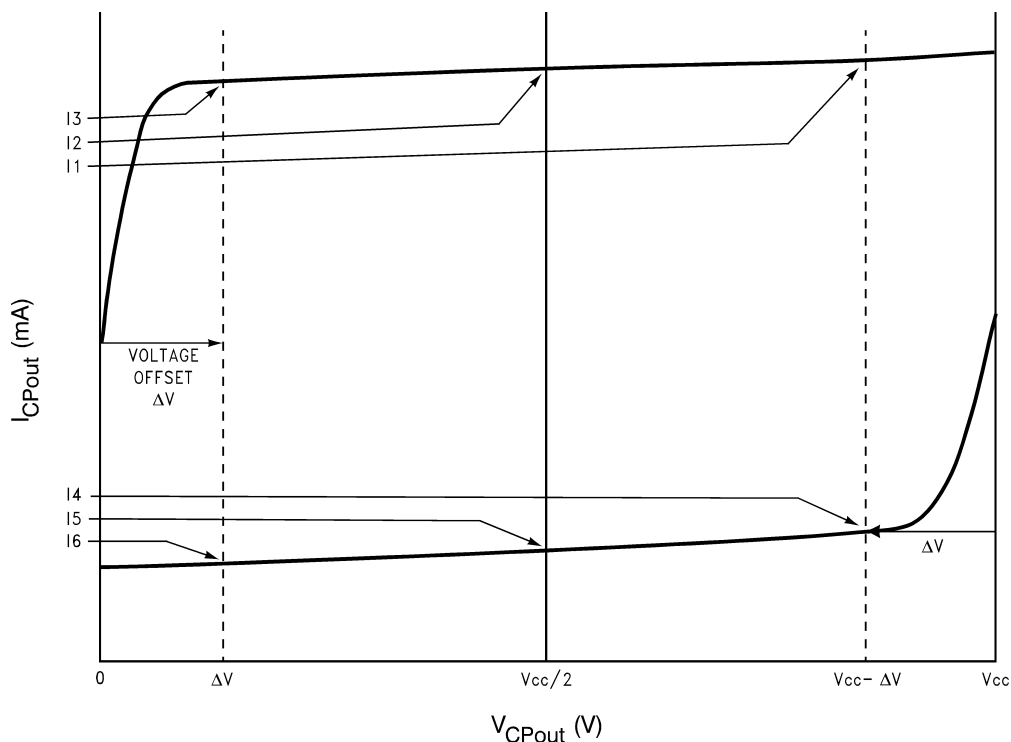
(10) Applies to CLKuWire, DATAuWire, and LEuWire.

Serial Data Timing Diagram



Data bits set on the DATAuWire signal are clocked into a shift register, MSB first, on each rising edge of the CLKuWire signal. On the rising edge of the LEuWire signal, the data is sent from the shift register to the addressed register determined by the LSB bits. After the programming is complete the CLKuWire, DATAuWire, and LEuWire signals should be returned to a low state.

Charge Pump Current Specification Definitions



I_1 = Charge Pump Sink Current at $V_{CPout} = V_{CC} - \Delta V$

I_2 = Charge Pump Sink Current at $V_{CPout} = V_{CC}/2$

I_3 = Charge Pump Sink Current at $V_{CPout} = \Delta V$

I_4 = Charge Pump Source Current at $V_{CPout} = V_{CC} - \Delta V$

I_5 = Charge Pump Source Current at $V_{CPout} = V_{CC}/2$

I_6 = Charge Pump Source Current at $V_{CPout} = \Delta V$

ΔV = Voltage offset from the positive and negative supply rails. Defined to be 0.5 V for this device.

Charge Pump Output Current Magnitude Variation vs. Charge Pump Output Voltage

$$I_{CPout} \text{ Vs } V_{CPout} = \frac{|I_1| - |I_3|}{|I_1| + |I_3|} \times 100\%$$

$$= \frac{|I_4| - |I_6|}{|I_4| + |I_6|} \times 100\%$$

Charge Pump Sink Current vs. Charge Pump Output Source Current Mismatch

$$I_{CPout} \text{ Sink Vs } I_{CPout} \text{ Source} = \frac{|I_2| - |I_5|}{|I_2| + |I_5|} \times 100\%$$

Charge Pump Output Current Magnitude Variation vs. Temperature

Charge Pump Current Specification Definitions (continued)

$$I_{CPout} \text{ Vs } T_A = \frac{|I_2|_{T_A} - |I_2|_{T_A = 25^\circ\text{C}}}{|I_2|_{T_A = 25^\circ\text{C}}} \times 100\%$$

$$= \frac{|I_5|_{T_A} - |I_5|_{T_A = 25^\circ\text{C}}}{|I_5|_{T_A = 25^\circ\text{C}}} \times 100\%$$

Functional Description

The LMK02000 precision clock conditioner combines the functions of jitter cleaning/reconditioning, multiplication, and distribution of a reference clock. The device integrates a high performance Integer-N Phase Locked Loop (PLL), three LVDS, and five LVPECL clock output distribution blocks.

Each clock distribution block includes a programmable divider, a phase synchronization circuit, a programmable delay, a clock output mux, and an LVDS or LVPECL output buffer. This allows multiple integer-related and phase-adjusted copies of the reference to be distributed to eight system components.

The clock conditioner comes in a 48-pin WQFN package and is footprint compatible with other clocking devices in the same family.

BIAS PIN

To properly use the device, bypass Bias (pin 36) with a low leakage 1 μF capacitor connected to V_{cc} . This is important for low noise performance.

LDO BYPASS

To properly use the device, bypass LDObyp1 (pin 9) with a 10 μF capacitor and LDObyp2 (pin 10) with a 0.1 μF capacitor.

OSCILLATOR INPUT PORT (OSCin, OSCin*)

The purpose of OSCin is to provide the PLL with a reference signal. The OSCin port must be AC coupled, refer to the System Level Diagram in the [Application Information](#) section. The OSCin port may be driven single endedly by AC grounding OSCin* with a 0.1 μF capacitor.

FREQUENCY INPUT PORT (Fin, Fin*)

The purpose of Fin is to provide the PLL with a feedback signal from an external oscillator. The Fin port may be driven single endedly by AC grounding Fin*.

CLKout DELAYS

Each individual clock output includes a delay adjustment. Clock output delay registers (CLKoutX_DLY) support a 150 ps step size and range from 0 to 2250 ps of total delay.

LVDS/LVPECL OUTPUTS

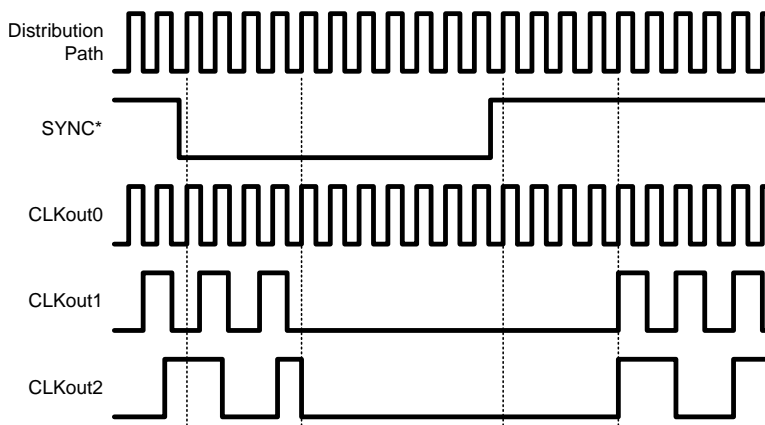
Each LVDS or LVPECL output may be disabled individually by programming the CLKoutX_EN bits. All the outputs may be disabled simultaneously by pulling the GOE pin low or programming EN_CLKout_Global to 0.

GLOBAL CLOCK OUTPUT SYNCHRONIZATION

The SYNC* pin synchronizes the clock outputs. When the SYNC* pin is held in a logic low state, the divided outputs are also held in a logic low state. When the SYNC* pin goes high, the divided clock outputs are activated and will transition to a high state simultaneously. Clocks in the bypassed state are not affected by SYNC* and are always synchronized with the divided outputs.

The SYNC* pin must be held low for greater than one clock cycle of the Frequency Input port, also known as the distribution path. Once this low event has been registered, the outputs will not reflect the low state for four more cycles. Similarly once the SYNC* pin becomes high, the outputs will not simultaneously transition high until four more distribution path clock cycles have passed. See the timing diagram below for further detail. In the timing diagram below the clocks are programmed as CLKout0_MUX = Bypassed, CLKout1_MUX = Divided, CLKout1_DIV = 2, CLKout2_MUX = Divided, and CLKout2_DIV = 4.

SYNC* Timing Diagram



The SYNC* pin provides an internal pull-up resistor as shown on the [functional block diagram](#). If the SYNC* pin is not terminated externally the clock outputs will operate normally. If the SYNC* function is not used, clock output synchronization is not specified.

CLKout OUTPUT STATES

Each clock output may be individually enabled with the CLKoutX_EN bits. Each individual output enable control bit is gated with the Global Output Enable input pin (GOE) and the Global Output Enable bit (EN_CLKout_Global).

All clock outputs can be disabled simultaneously if the GOE pin is pulled low by an external signal or EN_CLKout_Global is set to 0.

| CLKoutX_EN bit | EN_CLKout_Global bit | GOE pin | Clock X Output State |
|----------------|----------------------|-------------------|----------------------|
| 1 | 1 | Low | Low |
| Don't care | 0 | Don't care | Off |
| 0 | Don't care | Don't care | Off |
| 1 | 1 | High / No Connect | Enabled |

When an LVDS output is in the Off state, the outputs are at a voltage of approximately 1.5 volts. When an LVPECL output is in the Off state, the outputs are at a voltage of approximately 1 volt.

GLOBAL OUTPUT ENABLE AND LOCK DETECT

The GOE pin provides an internal pull-up resistor. If it is not terminated externally, the clock output states are determined by the Clock Output Enable bits (CLKoutX_EN) and the EN_CLKout_Global bit.

By programming the PLL_MUX register to Digital Lock Detect Active High (See [PLL_MUX\[3:0\] -- Multiplexer Control for LD Pin](#)), the Lock Detect (LD) pin can be connected to the GOE pin in which case all outputs are set low automatically if the synthesizer is not locked.

POWER ON RESET

When supply voltage to the device increases monotonically from ground to Vcc, the power on reset circuit sets all registers to their default values, see [RESET Bit -- R0 only](#) for more information on default register values. Voltage should be applied to all Vcc pins simultaneously.

General Programming Information

The LMK02000 device is programmed using several 32-bit registers which control the device's operation. The registers consist of a data field and an address field. The last 4 register bits, ADDR[3:0] form the address field. The remaining 28 bits form the data field DATA[27:0].

During programming, LEuWire is low and serial data is clocked in on the rising edge of clock (MSB first). When LEuWire goes high, data is transferred to the register bank selected by the address field. Only registers R0 to R7, R11, R14, and R15 need to be programmed for proper device operation.

It is required to program register R14.

RECOMMENDED PROGRAMMING SEQUENCE

The recommended programming sequence involves programming R0 with the reset bit set (RESET = 1) to ensure the device is in a default state. It is not necessary to program R0 again, but if R0 is programmed again, the reset bit is programmed clear (RESET = 0). Registers are programmed in order with R15 being the last register programmed. An example programming sequence is shown below.

- Program R0 with the reset bit set (RESET = 1). This ensures the device is in a default state. When the reset bit is set in R0, the other R0 bits are ignored.
 - If R0 is programmed again, the reset bit is programmed clear (RESET = 0).
- Program R0 to R7 as necessary with desired clocks with appropriate enable, mux, divider, and delay settings.
- Program R11 with DIV4 setting if necessary.
- Program R14 with global clock output bit, power down setting, PLL mux setting, and PLL R divider. It is required to program register R14.
 - R14 must be programmed in accordance with the register map as shown in the register map (see [Table 1](#)).
- Program R15 with PLL charge pump gain, and PLL N divider.

Table 1. LMK02000 REGISTER MAP

| Register | 31 | 30 | 29 | 28 | 27 | 26 | 25 | 24 | 23 | 22 | 21 | 20 | 19 | 18 | 17 | 16 | 15 | 14 | 13 | 12 | 11 | 10 | 9 | 8 | 7 | 6 | 5 | 4 | 3 | 2 | 1 | 0 | |
|----------|-------------|----|----|----|--------------------------------------|---------------------------|---------------------------|--------------------------------|------------------|----|----|-----------------|----|----|----|----|----------|----|----|----|----|----|---|---|---|---|---|----|----|----|----|---|---|
| | Data [27:0] | | | | | | | | | | | | | | | | | | | | | | | | | | | A3 | A2 | A1 | A0 | | |
| R0 | RE SET | 0 | 0 | 0 | 0 | 0 | 0 | 0 | 0 | 0 | 0 | 0 | 0 | 0 | 0 | 0 | 0 | 0 | 0 | 0 | 0 | 0 | 0 | 0 | 0 | 0 | 0 | 0 | 0 | 0 | 0 | 0 | |
| R1 | 0 | 0 | 0 | 0 | 0 | 0 | 0 | 0 | 0 | 0 | 0 | 0 | 0 | 0 | 0 | 0 | 0 | 0 | 0 | 0 | 0 | 0 | 0 | 0 | 0 | 0 | 0 | 0 | 0 | 0 | 0 | 1 | |
| R2 | 0 | 0 | 0 | 0 | 0 | 0 | 0 | 0 | 0 | 0 | 0 | 0 | 0 | 0 | 0 | 0 | 0 | 0 | 0 | 0 | 0 | 0 | 0 | 0 | 0 | 0 | 0 | 0 | 0 | 1 | 0 | 0 | |
| R3 | 0 | 0 | 0 | 0 | 0 | 0 | 0 | 0 | 0 | 0 | 0 | 0 | 0 | 0 | 0 | 0 | 0 | 0 | 0 | 0 | 0 | 0 | 0 | 0 | 0 | 0 | 0 | 0 | 0 | 1 | 1 | 0 | |
| R4 | 0 | 0 | 0 | 0 | 0 | 0 | 0 | 0 | 0 | 0 | 0 | 0 | 0 | 0 | 0 | 0 | 0 | 0 | 0 | 0 | 0 | 0 | 0 | 0 | 0 | 0 | 0 | 0 | 1 | 0 | 0 | 0 | |
| R5 | 0 | 0 | 0 | 0 | 0 | 0 | 0 | 0 | 0 | 0 | 0 | 0 | 0 | 0 | 0 | 0 | 0 | 0 | 0 | 0 | 0 | 0 | 0 | 0 | 0 | 0 | 0 | 0 | 1 | 0 | 1 | 0 | |
| R6 | 0 | 0 | 0 | 0 | 0 | 0 | 0 | 0 | 0 | 0 | 0 | 0 | 0 | 0 | 0 | 0 | 0 | 0 | 0 | 0 | 0 | 0 | 0 | 0 | 0 | 0 | 0 | 0 | 1 | 1 | 0 | 0 | |
| R7 | 0 | 0 | 0 | 0 | 0 | 0 | 0 | 0 | 0 | 0 | 0 | 0 | 0 | 0 | 0 | 0 | 0 | 0 | 0 | 0 | 0 | 0 | 0 | 0 | 0 | 0 | 0 | 0 | 1 | 1 | 1 | 0 | |
| R11 | 0 | 0 | 0 | 0 | 0 | 0 | 0 | 0 | 1 | 0 | 0 | 0 | 0 | 0 | 1 | 0 | DIV 4 | 0 | 0 | 0 | 0 | 0 | 0 | 0 | 0 | 0 | 0 | 0 | 0 | 1 | 0 | 1 | 1 |
| R14 | 0 | 0 | 1 | 0 | EN _CL Kou t_Gl oba l | PO WE RD OW N | TRI - ST AT E | PLL _C P _P O L | PLL_MUX [3:0] | | | PLL_R [11:0] | | | | | | | | | | | 0 | 0 | 0 | 0 | 1 | 1 | 1 | 0 | | | |

Table 1. LMK02000 REGISTER MAP (continued)

| Re gist er | 31 | 30 | 29 | 28 | 27 | 26 | 25 | 24 | 23 | 22 | 21 | 20 | 19 | 18 | 17 | 16 | 15 | 14 | 13 | 12 | 11 | 10 | 9 | 8 | 7 | 6 | 5 | 4 | 3 | 2 | 1 | 0 |
|------------------|------------------------------|----|----|----|----|----|-----------------|----|----|----|----|----|----|----|----|----|----|----|----|----|----|----|---|---|---|---|---|---|---|---|---|---|
| R15 | PLL_ CP_ GAIN [1:0] | | 0 | 0 | 0 | 0 | PLL_N [17:0] | | | | | | | | | | | | | | 0 | 0 | 0 | 0 | 1 | 1 | 1 | 1 | | | | |

REGISTER R0 to R7

Registers R0 through R7 control the eight clock outputs. Register R0 controls CLKout0, Register R1 controls CLKout1, and so on. There is one additional bit in register R0 called RESET. Aside from this, the functions of these bits are identical. The X in CLKoutX_MUX, CLKoutX_DIV, CLKoutX_DLY, and CLKoutX_EN denote the actual clock output which may be from 0 to 7.

RESET Bit -- R0 only

This bit is only in register R0. The use of this bit is optional and it should be set to '0' if not used. Setting this bit to a '1' forces all registers to their power on reset condition and therefore automatically clears this bit. If this bit is set, all other R0 bits are ignored and R0 needs to be programmed again if used with its proper values and RESET = 0.

| Bit Name | Default Bit Value | Bit State | Bit Description | Register | Bit Location |
|------------------|-------------------|----------------------------|--------------------------------|----------|--------------|
| RESET | 0 | No reset, normal operation | Reset to power on defaults | R0 | 31 |
| CLKoutX_MUX | 0 | Bypassed | CLKoutX mux mode | R0 to R7 | 18:17 |
| CLKoutX_EN | 0 | Disabled | CLKoutX enable | | 16 |
| CLKoutX_DIV | 1 | Divide by 2 | CLKoutX clock divide | | 15:8 |
| CLKoutX_DLY | 0 | 0 ps | CLKoutX clock delay | | 7:4 |
| DIV4 | 0 | PDF \leq 20 MHz | Phase Detector Frequency | | R11 |
| EN_CLKout_Global | 1 | Normal - CLKouts normal | Global clock output enable | R14 | 27 |
| POWERDOWN | 0 | Normal - Device active | Device power down | | 26 |
| PLL_CP_TRI | 0 | Normal - PLL active | TRI-STATE PLL charge pump | | 25 |
| PLL_CP_POL | 0 | Negative Polarity CP | Polarity of charge pump | | 24 |
| PLL_MUX | 0 | Disabled | Multiplexer control for LD pin | | 23:20 |
| PLL_R | 10 | R divider = 10 | PLL R divide value | R15 | 19:8 |
| PLL_CP_GAIN | 0 | 100 μ A | Charge pump current | | 31:30 |
| PLL_N | 760 | N divider = 760 | PLL N divide value | | 25:8 |

CLKoutX_MUX[1:0] -- Clock Output Multiplexers

These bits control the Clock Output Multiplexer for each clock output. Changing between the different modes changes the blocks in the signal path and therefore incurs a delay relative to the bypass mode. The different MUX modes and associated delays are listed below.

| CLKoutX_MUX[1:0] | Mode | Added Delay Relative to Bypass Mode |
|------------------|---------------------|---|
| 0 | Bypassed (default) | 0 ps |
| 1 | Divided | 100 ps |
| 2 | Delayed | 400 ps (In addition to the programmed delay) |
| 3 | Divided and Delayed | 500 ps (In addition to the programmed delay) |

CLKoutX_DIV[7:0] -- Clock Output Dividers

These bits control the clock output divider value. In order for these dividers to be active, the respective CLKoutX_MUX (See [CLKoutX_MUX\[1:0\] -- Clock Output Multiplexers](#)) bit must be set to either "Divided" or "Divided and Delayed" mode. After all the dividers are programmed, the SYNC* pin must be used to ensure that all edges of the clock outputs are aligned (See [GLOBAL CLOCK OUTPUT SYNCHRONIZATION](#)). By adding the divider block to the output path a fixed delay of approximately 100 ps is incurred.

The actual Clock Output Divide value is twice the binary value programmed as listed in the table below.

| CLKoutX_DIV[7:0] | | | | | | | | Clock Output Divider value |
|------------------|---|---|---|---|---|---|---|----------------------------|
| 0 | 0 | 0 | 0 | 0 | 0 | 0 | 0 | Invalid |
| 0 | 0 | 0 | 0 | 0 | 0 | 0 | 1 | 2 (default) |
| 0 | 0 | 0 | 0 | 0 | 0 | 1 | 0 | 4 |
| 0 | 0 | 0 | 0 | 0 | 0 | 1 | 1 | 6 |
| 0 | 0 | 0 | 0 | 0 | 1 | 0 | 0 | 8 |
| 0 | 0 | 0 | 0 | 0 | 1 | 0 | 1 | 10 |
| . | . | . | . | . | . | . | . | ... |
| 1 | 1 | 1 | 1 | 1 | 1 | 1 | 1 | 510 |

CLKoutX_DLY[3:0] -- Clock Output Delays

These bits control the delay stages for each clock output. In order for these delays to be active, the respective CLKoutX_MUX (See [CLKoutX_MUX\[1:0\] -- Clock Output Multiplexers](#)) bit must be set to either "Delayed" or "Divided and Delayed" mode. By adding the delay block to the output path a fixed delay of approximately 400 ps is incurred in addition to the delay shown in the table below.

| CLKoutX_DLY[3:0] | Delay (ps) |
|------------------|-------------|
| 0 | 0 (default) |
| 1 | 150 |
| 2 | 300 |
| 3 | 450 |
| 4 | 600 |
| 5 | 750 |
| 6 | 900 |
| 7 | 1050 |
| 8 | 1200 |
| 9 | 1350 |
| 10 | 1500 |
| 11 | 1650 |
| 12 | 1800 |
| 13 | 1950 |
| 14 | 2100 |
| 15 | 2250 |

CLKoutX_EN bit -- Clock Output Enables

These bits control whether an individual clock output is enabled or not. If the EN_CLKout_Global bit (See [EN_CLKout_Global Bit -- Global Clock Output Enable](#)) is set to zero or if GOE pin is held low, all CLKoutX_EN bit states will be ignored and all clock outputs will be disabled. See [CLKout OUTPUT STATES](#) for more information on CLKout states.

| CLKoutX_EN bit | Conditions | CLKoutX State |
|----------------|---|--------------------|
| 0 | EN_CLKout_Global bit = 1 GOE pin = High / No Connect 1 | Disabled (default) |
| 1 | | Enabled |

REGISTER R11

This register only has one bit and only needs to be programmed in the case that the phase detector frequency is greater than 20 MHz and digital lock detect is used. Otherwise, it is automatically defaulted to the correct values.

DIV4

This bit divides the frequency presented to the digital lock detect circuitry by 4. It is necessary to get a reliable output from the digital lock detect output in the case of a phase detector frequency greater than 20 MHz.

| DIV4 | Digital Lock Detect Circuitry Mode |
|------|---|
| 0 | Not divided; Phase detector frequency \leq 20 MHz (default) |
| 1 | Divided by 4; Phase detector frequency $>$ 20 MHz |

REGISTER R14

The LMK02000 requires register R14 to be programmed as shown in the register map (see [Table 1](#)).

PLL_R[11:0] -- R Divider Value

These bits program the PLL R Divider and are programmed in binary fashion.

| PLL_R[11:0] | | | | | | | | | | | PLL R Divide Value | |
|-------------|---|---|---|---|---|---|---|---|---|---|--------------------|--------------|
| 0 | 0 | 0 | 0 | 0 | 0 | 0 | 0 | 0 | 0 | 0 | 0 | Invalid |
| 0 | 0 | 0 | 0 | 0 | 0 | 0 | 0 | 0 | 0 | 0 | 1 | 1 |
| 0 | 0 | 0 | 0 | 0 | 0 | 0 | 0 | 0 | 0 | 1 | 0 | 2 |
| . | . | . | . | . | . | . | . | . | . | . | . | ... |
| 0 | 0 | 0 | 0 | 0 | 0 | 0 | 0 | 1 | 0 | 1 | 0 | 10 (default) |
| . | . | . | . | . | . | . | . | . | . | . | . | ... |
| 1 | 1 | 1 | 1 | 1 | 1 | 1 | 1 | 1 | 1 | 1 | 1 | 4095 |

PLL_MUX[3:0] -- Multiplexer Control for LD Pin

These bits set the output mode of the LD pin. The table below lists several different modes.

| PLL_MUX[3:0] | Output Type | LD Pin Function |
|--------------|-----------------|-------------------------------------|
| 0 | Hi-Z | Disabled (default) |
| 1 | Push-Pull | Logic High |
| 2 | Push-Pull | Logic Low |
| 3 | Push-Pull | Digital Lock Detect (Active High) |
| 4 | Push-Pull | Digital Lock Detect (Active Low) |
| 5 | Push-Pull | Analog Lock Detect |
| 6 | Open Drain NMOS | Analog Lock Detect |
| 7 | Open Drain PMOS | Analog Lock Detect |
| 8 | Invalid | |
| 9 | Push-Pull | N Divider Output/2 (50% Duty Cycle) |
| 10 | Invalid | |
| 11 | Push-Pull | R Divider Output/2 (50% Duty Cycle) |
| 12 to 15 | Invalid | |

POWERDOWN Bit -- Device Power Down

This bit can power down the device. Enabling this bit powers down the entire device and all blocks, regardless of the state of any of the other bits or pins.

| POWERDOWN bit | Mode |
|---------------|----------------------------|
| 0 | Normal Operation (default) |
| 1 | Entire Device Powered Down |

EN_CLKout_Global Bit -- Global Clock Output Enable

This bit overrides the individual CLKoutX_EN bits (See [CLKoutX_EN bit -- Clock Output Enables](#)). When this bit is set to 0, all clock outputs are disabled, regardless of the state of any of the other bits or pins. See [CLKout OUTPUT STATES](#) for more information on CLKout states.

| EN_CLKout_Global bit | Clock Outputs |
|----------------------|----------------------------|
| 0 | All Off |
| 1 | Normal Operation (default) |

PLL_CP_TRI Bit -- PLL Charge Pump TRI-STATE

This bit sets the PLL charge pump TRI-STATE.

| PLL_CP_TRI | PLL Charge Pump |
|------------|----------------------------|
| 0 | Normal operation (default) |
| 1 | TRI-STATE |

PLL_CP_POLBbit -- PLL Charge Pump Polarity

This bit sets the polarity of the charge pump to either negative or positive. A negative charge pump is used with a VCO or VCXO which decreases frequency with increasing tuning voltage. A positive charge pump is used with a VCO or VCXO which increases frequency with increasing tuning voltage.

| PLL_CP_POL | PLL Charge Pump Polarity |
|------------|--------------------------|
| 0 | Negative (default) |
| 1 | Positive |

Register R15

PLL_N[17:0] -- PLL N Divider

These bits program the divide value for the PLL N Divider. The PLL N Divider precedes the PLL phase detector. The VCO or VCXO frequency is calculated as, $f_{VCO} = f_{OSCin} \times \text{PLL N Divider} / \text{PLL R Divider}$. Since the PLL N divider is a pure binary counter, there are no illegal divide values for PLL_N[17:0] except for 0.

| PLL_N[17:0] | | | | | | | | | | | | | | | | PLL N Divider Value | |
|-------------|---|---|---|---|---|---|---|---|---|---|---|---|---|---|---|---------------------|---------------|
| 0 | 0 | 0 | 0 | 0 | 0 | 0 | 0 | 0 | 0 | 0 | 0 | 0 | 0 | 0 | 0 | 0 | Invalid |
| 0 | 0 | 0 | 0 | 0 | 0 | 0 | 0 | 0 | 0 | 0 | 0 | 0 | 0 | 0 | 0 | 1 | 1 |
| . | . | . | . | . | . | . | . | . | . | . | . | . | . | . | . | . | ... |
| 0 | 0 | 0 | 0 | 0 | 0 | 0 | 0 | 1 | 0 | 1 | 1 | 1 | 1 | 1 | 0 | 0 | 760 (default) |
| . | . | . | . | . | . | . | . | . | . | . | . | . | . | . | . | . | ... |
| 1 | 1 | 1 | 1 | 1 | 1 | 1 | 1 | 1 | 1 | 1 | 1 | 1 | 1 | 1 | 1 | 1 | 262143 |

PLL_CP_GAIN[1:0] -- PLL Charge Pump Gain

These bits set the charge pump gain of the PLL.

| PLL_CP_GAIN[1:0] | Charge Pump Gain |
|------------------|------------------|
| 0 | 1x (default) |
| 1 | 4x |
| 2 | 16x |
| 3 | 32x |

APPLICATION INFORMATION

SYSTEM LEVEL DIAGRAM

The following shows the LMK02000 in a typical application. In this setup the clock may be multiplied, reconditioned, and redistributed.

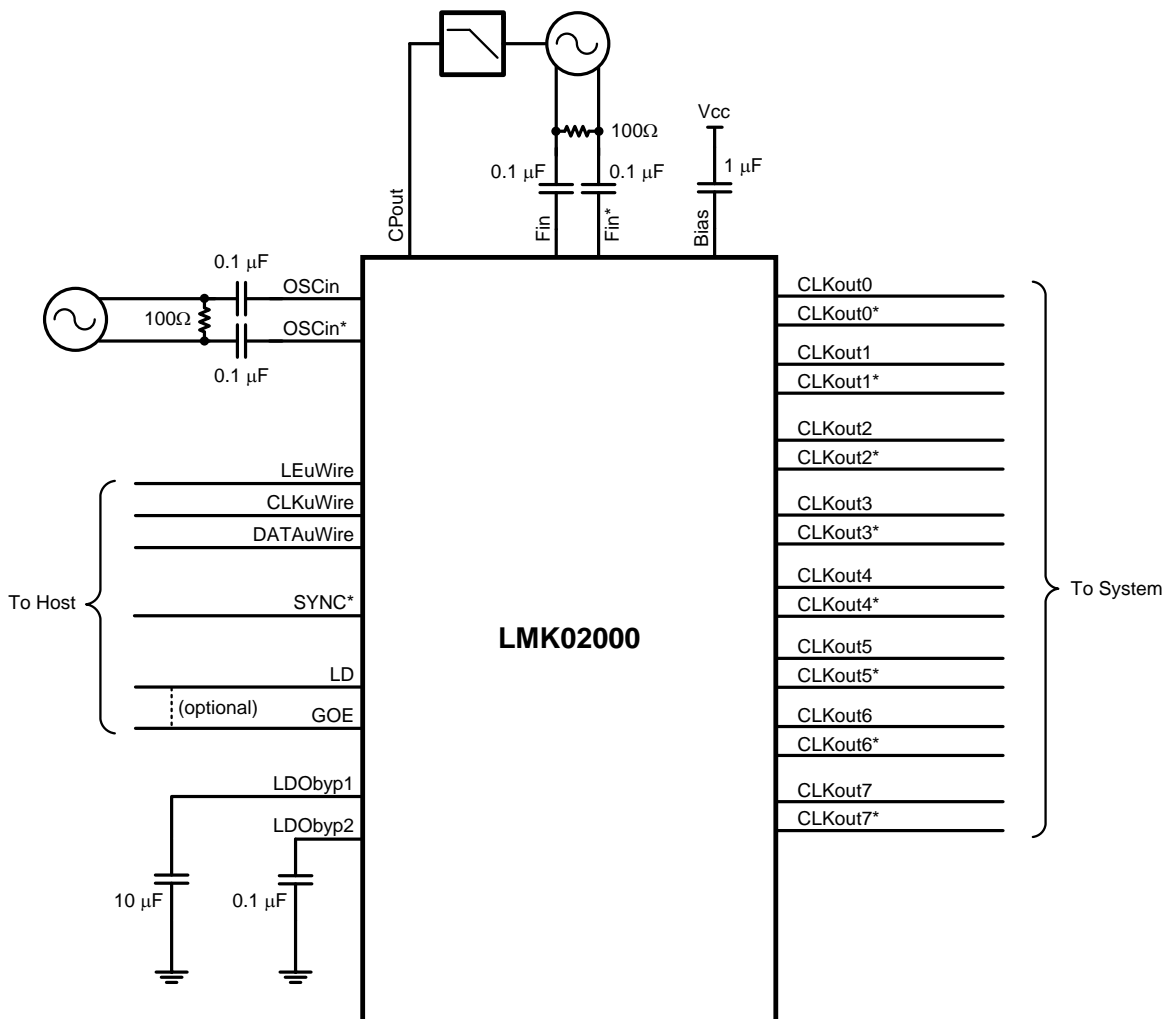


Figure 2. Typical Application

BIAS PIN

To properly use the device, bypass Bias (pin 36) with a low leakage 1 μ F capacitor connected to Vcc. This is important for low noise performance.

LDO BYPASS

To properly use the device, bypass LDObyp1 (pin 9) with a 10 μ F capacitor and LDObyp2 (pin 10) with a 0.1 μ F capacitor.

CURRENT CONSUMPTION / POWER DISSIPATION CALCULATIONS

Due to the myriad of possible configurations the following table serves to provide enough information to allow the user to calculate estimated current consumption of the LMK02000. Unless otherwise noted Vcc = 3.3 V, T_A = 25 °C.

Table 2. Block Current Consumption

| Block | Condition | Current Consumption at 3.3 V (mA) | Power Dissipated in device (mW) | Power Dissipated in LVPECL emitter resistors (mW) |
|------------------------------|---|-----------------------------------|---------------------------------|---|
| Entire device, core current | All outputs off; No LVPECL emitter resistors connected | 70 | 231 | - |
| Low clock buffer (internal) | The low clock buffer is enabled anytime one of CLKout0 through CLKout3 are enabled | 9 | 29.7 | - |
| High clock buffer (internal) | The high clock buffer is enabled anytime one of the CLKout4 through CLKout7 are enabled | 9 | 29.7 | - |
| Output buffers | LVDS output, bypass mode | 17.8 | 58.7 | - |
| | LVPECL output, bypass mode (includes 120 Ω emitter resistors) | 40 | 72 | 60 |
| | LVPECL output, disabled mode (includes 120 Ω emitter resistors) | 17.4 | 38.3 | 19.1 |
| | LVPECL output, disabled mode. No emitter resistors placed; open outputs | 0 | 0 | - |
| Divide circuitry per output | Divide enabled, divide = 2 | 5.3 | 17.5 | - |
| | Divide enabled, divide > 2 | 8.5 | 28.0 | - |
| Delay circuitry per output | Delay enabled, delay < 8 | 5.8 | 19.1 | - |
| | Delay enabled, delay > 7 | 9.9 | 32.7 | - |
| Entire device | CLKout0 & CLKout4 enabled in bypass mode | 145.8 | 421.1 | 60 |

From [Table 2](#) the current consumption can be calculated in any configuration. For example, the current for the entire device with 1 LVDS (CLKout0) & 1 LVPECL (CLKout4) output in bypass mode can be calculated by adding up the following blocks: core current, low clock buffer, high clock buffer, one LVDS output buffer current, and one LVPECL output buffer current. There will also be one LVPECL output drawing emitter current, but some of the power from the current draw is dissipated in the external 120 Ω resistors which doesn't add to the power dissipation budget for the device. If delays or divides are switched in, then the additional current for these stages needs to be added as well.

For power dissipated by the device, the total current entering the device is multiplied by the voltage at the device minus the power dissipated in any emitter resistors connected to any of the LVPECL outputs. If no emitter resistors are connected to the LVPECL outputs, this power will be 0 watts. For example, in the case of 1 LVDS (CLKout0) & 1 LVPECL (CLKout4) operating at 3.3 volts, we calculate $3.3 \text{ V} \times (70 + 9 + 9 + 17.8 + 40) \text{ mA} = 3.3 \text{ V} \times 145.8 \text{ mA} = 481.1 \text{ mW}$. Because the LVPECL output (CLKout4) has the emitter resistors hooked up and the power dissipated by these resistors is 60 mW, the total device power dissipation is $481.1 \text{ mW} - 60 \text{ mW} = 421.1 \text{ mW}$.

When the LVPECL output is active, ~1.9 V is the average voltage on each output as calculated from the LVPECL V_{oh} & V_{ol} typical specification. Therefore the power dissipated in each emitter resistor is approximately $(1.9 \text{ V})^2 / 120 \Omega = 30 \text{ mW}$. When the LVPECL output is disabled, the emitter resistor voltage is ~1.07 V. Therefore the power dissipated in each emitter resistor is approximately $(1.07 \text{ V})^2 / 120 \Omega = 9.5 \text{ mW}$.

THERMAL MANAGEMENT

Power consumption of the LMK02000 can be high enough to require attention to thermal management. For reliability and performance reasons the die temperature should be limited to a maximum of 125 °C. That is, as an estimate, T_A (ambient temperature) plus device power consumption times θ_{JA} should not exceed 125 °C.

The package of the device has an exposed pad that provides the primary heat removal path as well as excellent electrical grounding to the printed circuit board. To maximize the removal of heat from the package a thermal land pattern including multiple vias to a ground plane must be incorporated on the PCB within the footprint of the package. The exposed pad must be soldered down to ensure adequate heat conduction out of the package. A recommended land and via pattern is shown in [Figure 3](#). More information on soldering WQFN packages can be obtained at www.ti.com.

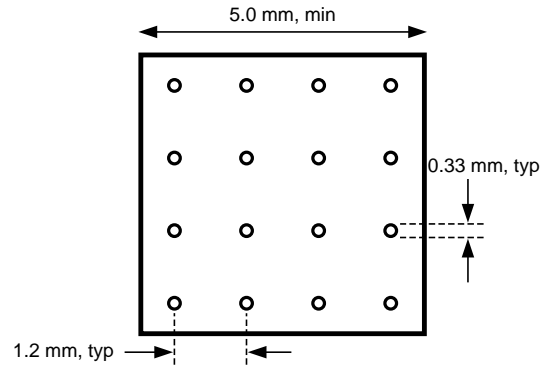


Figure 3.

To minimize junction temperature it is recommended that a simple heat sink be built into the PCB (if the ground plane layer is not exposed). This is done by including a copper area of about 2 square inches on the opposite side of the PCB from the device. This copper area may be plated or solder coated to prevent corrosion but should not have conformal coating (if possible), which could provide thermal insulation. The vias shown in [Figure 3](#) should connect these top and bottom copper layers and to the ground layer. These vias act as “heat pipes” to carry the thermal energy away from the device side of the board to where it can be more effectively dissipated.

PACKAGING INFORMATION

| Orderable Device | Status (1) | Package Type | Package Drawing | Pins | Package Qty | Eco Plan (2) | Lead/Ball Finish | MSL Peak Temp (3) | Op Temp (°C) | Top-Side Markings (4) | Samples |
|-------------------|---------------|--------------|-----------------|------|-------------|-------------------------|------------------|----------------------|--------------|--------------------------|-------------------------|
| LMK02000ISQ/NOPB | ACTIVE | WQFN | RHS | 48 | 250 | Green (RoHS & no Sb/Br) | CU SN | Level-3-260C-168 HR | -40 to 85 | K02000 I | Samples |
| LMK02000ISQX/NOPB | ACTIVE | WQFN | RHS | 48 | 2500 | Green (RoHS & no Sb/Br) | CU SN | Level-3-260C-168 HR | -40 to 85 | K02000 I | Samples |

(1) The marketing status values are defined as follows:

ACTIVE: Product device recommended for new designs.

LIFEBUY: TI has announced that the device will be discontinued, and a lifetime-buy period is in effect.

NRND: Not recommended for new designs. Device is in production to support existing customers, but TI does not recommend using this part in a new design.

PREVIEW: Device has been announced but is not in production. Samples may or may not be available.

OBSOLETE: TI has discontinued the production of the device.

(2) Eco Plan - The planned eco-friendly classification: Pb-Free (RoHS), Pb-Free (RoHS Exempt), or Green (RoHS & no Sb/Br) - please check <http://www.ti.com/productcontent> for the latest availability information and additional product content details.

TBD: The Pb-Free/Green conversion plan has not been defined.

Pb-Free (RoHS): TI's terms "Lead-Free" or "Pb-Free" mean semiconductor products that are compatible with the current RoHS requirements for all 6 substances, including the requirement that lead not exceed 0.1% by weight in homogeneous materials. Where designed to be soldered at high temperatures, TI Pb-Free products are suitable for use in specified lead-free processes.

Pb-Free (RoHS Exempt): This component has a RoHS exemption for either 1) lead-based flip-chip solder bumps used between the die and package, or 2) lead-based die adhesive used between the die and leadframe. The component is otherwise considered Pb-Free (RoHS compatible) as defined above.

Green (RoHS & no Sb/Br): TI defines "Green" to mean Pb-Free (RoHS compatible), and free of Bromine (Br) and Antimony (Sb) based flame retardants (Br or Sb do not exceed 0.1% by weight in homogeneous material)

(3) MSL, Peak Temp. -- The Moisture Sensitivity Level rating according to the JEDEC industry standard classifications, and peak solder temperature.

(4) Multiple Top-Side Markings will be inside parentheses. Only one Top-Side Marking contained in parentheses and separated by a "~" will appear on a device. If a line is indented then it is a continuation of the previous line and the two combined represent the entire Top-Side Marking for that device.

Important Information and Disclaimer: The information provided on this page represents TI's knowledge and belief as of the date that it is provided. TI bases its knowledge and belief on information provided by third parties, and makes no representation or warranty as to the accuracy of such information. Efforts are underway to better integrate information from third parties. TI has taken and continues to take reasonable steps to provide representative and accurate information but may not have conducted destructive testing or chemical analysis on incoming materials and chemicals. TI and TI suppliers consider certain information to be proprietary, and thus CAS numbers and other limited information may not be available for release.

In no event shall TI's liability arising out of such information exceed the total purchase price of the TI part(s) at issue in this document sold by TI to Customer on an annual basis.

TAPE AND REEL INFORMATION

QUADRANT ASSIGNMENTS FOR PIN 1 ORIENTATION IN TAPE


*All dimensions are nominal

| Device | Package Type | Package Drawing | Pins | SPQ | Reel Diameter (mm) | Reel Width W1 (mm) | A0 (mm) | B0 (mm) | K0 (mm) | P1 (mm) | W (mm) | Pin1 Quadrant |
|-------------------|--------------|-----------------|------|------|--------------------|--------------------|---------|---------|---------|---------|--------|---------------|
| LMK02000ISQ/NOPB | WQFN | RHS | 48 | 250 | 178.0 | 16.4 | 7.3 | 7.3 | 1.3 | 12.0 | 16.0 | Q1 |
| LMK02000ISQX/NOPB | WQFN | RHS | 48 | 2500 | 330.0 | 16.4 | 7.3 | 7.3 | 1.3 | 12.0 | 16.0 | Q1 |

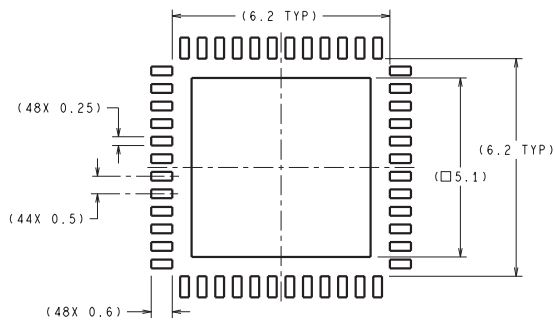
TAPE AND REEL BOX DIMENSIONS



*All dimensions are nominal

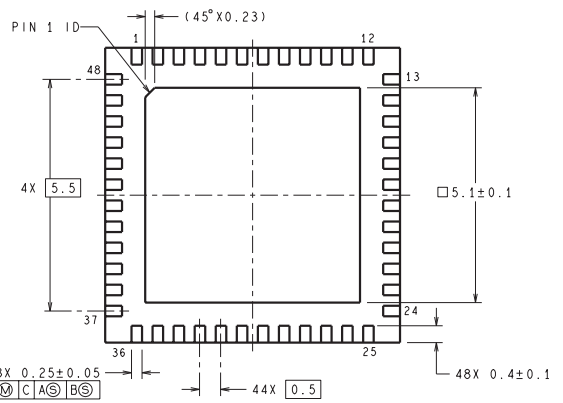
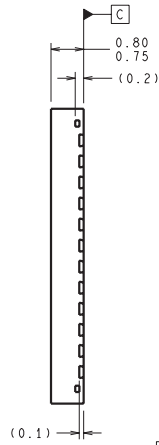
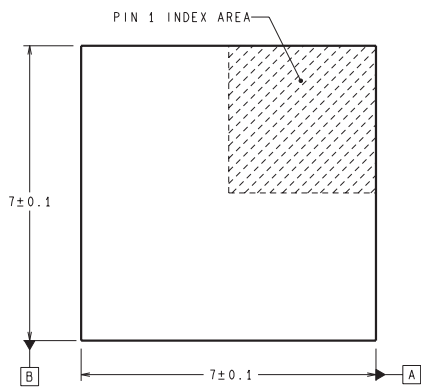
| Device | Package Type | Package Drawing | Pins | SPQ | Length (mm) | Width (mm) | Height (mm) |
|-------------------|--------------|-----------------|------|------|-------------|------------|-------------|
| LMK02000ISQ/NOPB | WQFN | RHS | 48 | 250 | 213.0 | 191.0 | 55.0 |
| LMK02000ISQX/NOPB | WQFN | RHS | 48 | 2500 | 367.0 | 367.0 | 38.0 |

RHS0048A



DIMENSIONS ARE IN MILLIMETERS
DIMENSIONS IN () FOR REFERENCE ONLY

RECOMMENDED LAND PATTERN



SQA48A (Rev B)

IMPORTANT NOTICE

Texas Instruments Incorporated and its subsidiaries (TI) reserve the right to make corrections, enhancements, improvements and other changes to its semiconductor products and services per JESD46, latest issue, and to discontinue any product or service per JESD48, latest issue. Buyers should obtain the latest relevant information before placing orders and should verify that such information is current and complete. All semiconductor products (also referred to herein as "components") are sold subject to TI's terms and conditions of sale supplied at the time of order acknowledgment.

TI warrants performance of its components to the specifications applicable at the time of sale, in accordance with the warranty in TI's terms and conditions of sale of semiconductor products. Testing and other quality control techniques are used to the extent TI deems necessary to support this warranty. Except where mandated by applicable law, testing of all parameters of each component is not necessarily performed.

TI assumes no liability for applications assistance or the design of Buyers' products. Buyers are responsible for their products and applications using TI components. To minimize the risks associated with Buyers' products and applications, Buyers should provide adequate design and operating safeguards.

TI does not warrant or represent that any license, either express or implied, is granted under any patent right, copyright, mask work right, or other intellectual property right relating to any combination, machine, or process in which TI components or services are used. Information published by TI regarding third-party products or services does not constitute a license to use such products or services or a warranty or endorsement thereof. Use of such information may require a license from a third party under the patents or other intellectual property of the third party, or a license from TI under the patents or other intellectual property of TI.

Reproduction of significant portions of TI information in TI data books or data sheets is permissible only if reproduction is without alteration and is accompanied by all associated warranties, conditions, limitations, and notices. TI is not responsible or liable for such altered documentation. Information of third parties may be subject to additional restrictions.

Resale of TI components or services with statements different from or beyond the parameters stated by TI for that component or service voids all express and any implied warranties for the associated TI component or service and is an unfair and deceptive business practice. TI is not responsible or liable for any such statements.

Buyer acknowledges and agrees that it is solely responsible for compliance with all legal, regulatory and safety-related requirements concerning its products, and any use of TI components in its applications, notwithstanding any applications-related information or support that may be provided by TI. Buyer represents and agrees that it has all the necessary expertise to create and implement safeguards which anticipate dangerous consequences of failures, monitor failures and their consequences, lessen the likelihood of failures that might cause harm and take appropriate remedial actions. Buyer will fully indemnify TI and its representatives against any damages arising out of the use of any TI components in safety-critical applications.

In some cases, TI components may be promoted specifically to facilitate safety-related applications. With such components, TI's goal is to help enable customers to design and create their own end-product solutions that meet applicable functional safety standards and requirements. Nonetheless, such components are subject to these terms.

No TI components are authorized for use in FDA Class III (or similar life-critical medical equipment) unless authorized officers of the parties have executed a special agreement specifically governing such use.

Only those TI components which TI has specifically designated as military grade or "enhanced plastic" are designed and intended for use in military/aerospace applications or environments. Buyer acknowledges and agrees that any military or aerospace use of TI components which have **not** been so designated is solely at the Buyer's risk, and that Buyer is solely responsible for compliance with all legal and regulatory requirements in connection with such use.

TI has specifically designated certain components as meeting ISO/TS16949 requirements, mainly for automotive use. In any case of use of non-designated products, TI will not be responsible for any failure to meet ISO/TS16949.

Products

| | |
|------------------------------|--|
| Audio | www.ti.com/audio |
| Amplifiers | amplifier.ti.com |
| Data Converters | dataconverter.ti.com |
| DLP® Products | www.dlp.com |
| DSP | dsp.ti.com |
| Clocks and Timers | www.ti.com/clocks |
| Interface | interface.ti.com |
| Logic | logic.ti.com |
| Power Mgmt | power.ti.com |
| Microcontrollers | microcontroller.ti.com |
| RFID | www.ti-rfid.com |
| OMAP Applications Processors | www.ti.com/omap |
| Wireless Connectivity | www.ti.com/wirelessconnectivity |

Applications

| | |
|-------------------------------|--|
| Automotive and Transportation | www.ti.com/automotive |
| Communications and Telecom | www.ti.com/communications |
| Computers and Peripherals | www.ti.com/computers |
| Consumer Electronics | www.ti.com/consumer-apps |
| Energy and Lighting | www.ti.com/energy |
| Industrial | www.ti.com/industrial |
| Medical | www.ti.com/medical |
| Security | www.ti.com/security |
| Space, Avionics and Defense | www.ti.com/space-avionics-defense |
| Video and Imaging | www.ti.com/video |

TI E2E Community

e2e.ti.com