

LME49830 Mono High Fidelity 200 Volt MOSFET Power Amplifier Input Stage with Mute

Check for Samples: [LME49830](#)

FEATURES

- High Output Current and Voltage for Use With MOSFET Output Stages
- Very High Voltage Range: $\pm 20\text{V}$ to $\pm 100\text{V}$
- Scalable Output Power
- Minimum External Components
- External Compensation
- Thermal Shutdown of Input Stage
- Mute Control

APPLICATIONS

- AV Receivers
- Audiophile Power Amps
- Pro Audio
- High Voltage Industrial Applications

KEY SPECIFICATIONS

- Wide Operating Voltage Range: $\pm 20\text{V}$ to $\pm 100\text{V}$
- Output Voltage Noise
 - (BW = 30kHz): 44 μV (Typ)
- PSRR (DC): 105dB (Typ)
- Slew Rate: 39V/ μs (Typ)
- THD+N (f = 1kHz): 0.0006% (Typ)

DESCRIPTION

The LME49830 is a high fidelity audio power amplifier input stage designed for demanding consumer and pro-audio applications. Amplifier output power may be scaled by changing the supply voltage and number of output devices. The LME49830 is capable of driving an output stage in excess of 300 W single-ended into an 8 Ω load in the presence of 10% high line headroom and 20% supply regulation.

The LME49830 includes internal thermal shut down circuitry that activates when the LME49830 die temperature exceeds 150°C. The LME49830 has a mute function that mutes the input drive signal and forces the amplifier output to a quiescent state.

The LME49830 has high drive current, 56mA typical, and high output voltage swing for maximum flexibility in output stage choice. With a bias voltage range up to 16V the LME49830 can be used to drive MOSFET output stages using a wide selection of MOSFETs.

The LME49830 has a wide operating supply range of $\pm 20\text{V}$ to $\pm 100\text{V}$, which allows lower cost, unregulated power supplies to be used.



Please be aware that an important notice concerning availability, standard warranty, and use in critical applications of Texas Instruments semiconductor products and disclaimers thereto appears at the end of this data sheet.

All trademarks are the property of their respective owners.

Typical Application

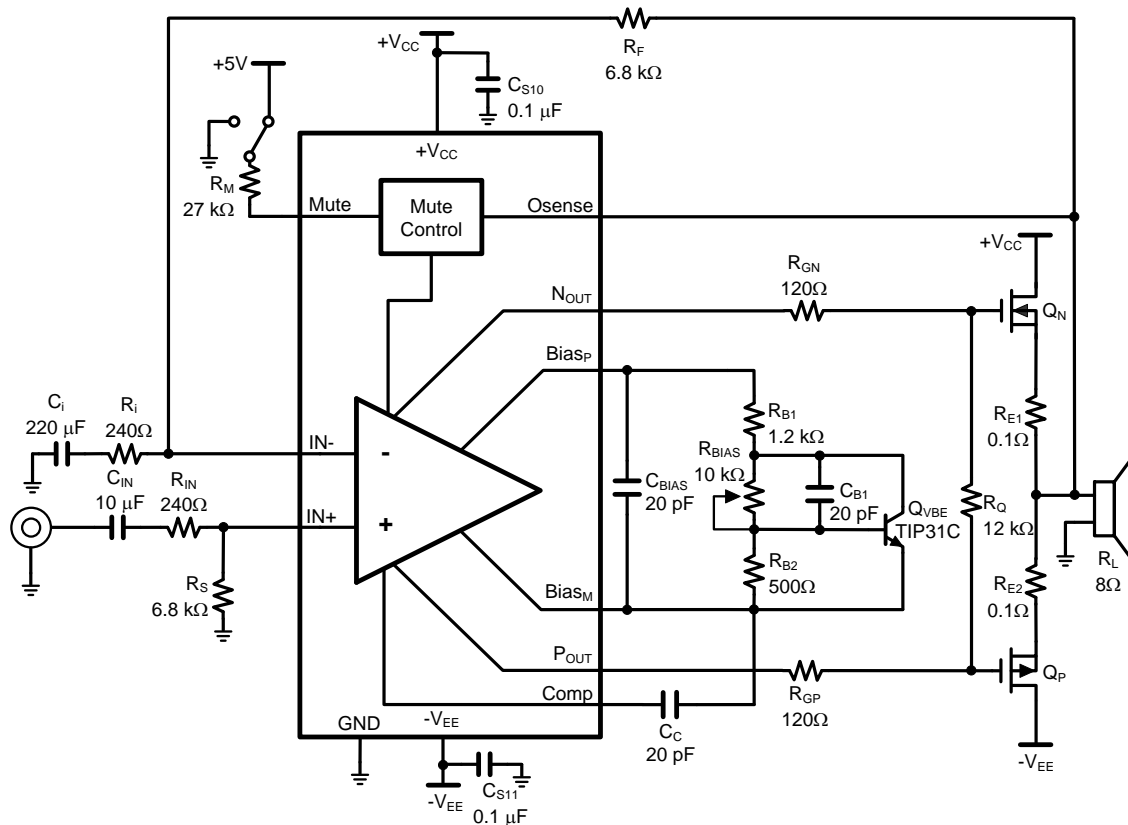


Figure 1. Typical Audio Amplifier Application Circuit

CONNECTION DIAGRAM

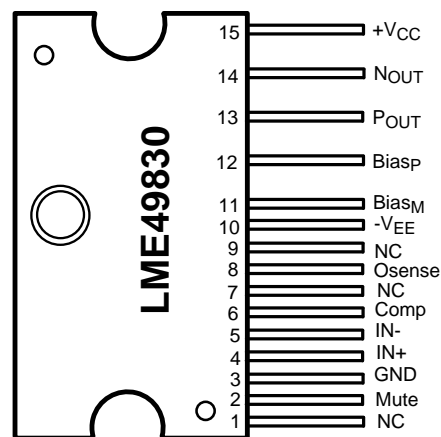


Figure 2. Plastic Package⁽¹⁾ (Top View)

(1) The NDN0015A is a non-isolated package. The package's metal back and any heat sink to which it is mounted are connected to the V_{EE} potential when using only thermal compound. If a mica washer is used in addition to thermal compound, θ_{CS} (case to sink) is increased, but the heat sink will be electrically isolated from V_{EE} .

PIN DESCRIPTIONS

Pin	Pin Name	Description
1	NC	No Connection, Pin electrically isolated
2	Mute	Mute Control
3	GND	Device Ground
4	IN+	Non-inverting input
5	IN-	Inverting input
6	Comp	External Compensation Connection
7	NC	No Connection, Pin electrically isolated
8	Osense	Output Sense
9	NC	No Connection, Pin electrically isolated
10	-V _{EE}	Negative Power Supply
11	Bias _M	Negative External Bias Control
12	Bias _P	Positive External Bias Control
13	P _{OUT}	P-channel MOSFET Output
14	N _{OUT}	N-channel MOSFET Output
15	+V _{CC}	Positive Power Supply

BLOCK DIAGRAM

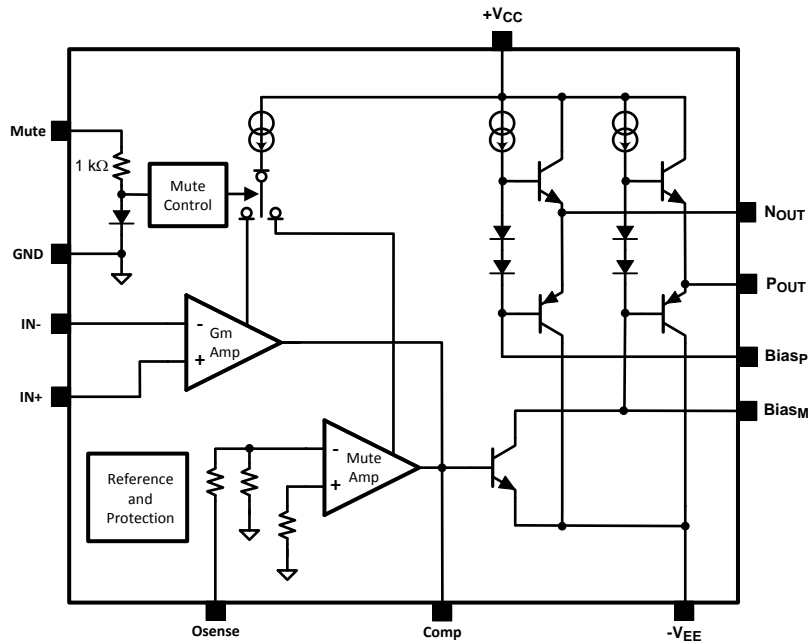


Figure 3. LME49830 Simplified Block Diagram



These devices have limited built-in ESD protection. The leads should be shorted together or the device placed in conductive foam during storage or handling to prevent electrostatic damage to the MOS gates.

ABSOLUTE MAXIMUM RATINGS⁽¹⁾⁽²⁾⁽³⁾

Supply Voltage $ V^+ + V^- $		200V
Differential Input Voltage		+/-6V
Common Mode Input Range		$0.4 V_{EE}$ to $0.4 V_{CC}$
Power Dissipation ⁽⁴⁾		5.4W
ESD Rating ⁽⁵⁾		2.0kV
ESD Rating ⁽⁶⁾		200V
Junction Temperature (T_{JMAX})		150°C
Soldering Information	NDN Package (10 seconds)	260°C
Storage Temperature		-40°C to +150°C
Thermal Resistance	θ_{JA}	73°C/W
	θ_{JC}	4°C/W

- (1) The Electrical Characteristics tables list ensure specifications under the listed Recommended Operating Conditions except as otherwise modified or specified by the Electrical Characteristics Conditions and/or Notes. Typical specifications are estimations only and are not ensured.
- (2) Absolute Maximum Ratings indicate limits beyond which damage to the device may occur, including inoperability and degradation of device reliability and/or performance. Functional operation of the device and/or non-degradation at the Absolute Maximum Ratings or other conditions beyond those indicated in the Recommended Operating Conditions is not implied. The Recommended Operating Conditions indicate conditions at which the device is functional and the device should not be operated beyond such conditions. All voltages are measured with respect to the ground pin, unless otherwise specified.
- (3) If Military/Aerospace specified devices are required, please contact the Texas Instruments Sales Office/ Distributors for availability and specifications.
- (4) The maximum power dissipation must be derated at elevated temperatures and is dictated by T_{JMAX} , θ_{JA} , and the ambient temperature, T_A . The maximum allowable power dissipation is $P_{DMAX} = (T_{JMAX} - T_A) / \theta_{JA}$ or the number given in Absolute Maximum Ratings, whichever is lower. For the LME49830, $T_{JMAX} = 150^\circ\text{C}$ and the typical θ_{JC} is 4°C/W.
- (5) Human body model, applicable std. JESD22-A114C.
- (6) Machine model, applicable std. JESD22-A115-A.

OPERATING RATINGS⁽¹⁾⁽²⁾

Temperature Range	$T_{MIN} \leq T_A \leq T_{MAX}$	$-40^\circ\text{C} \leq T_A \leq +85^\circ\text{C}$
Supply Voltage		$\pm 20\text{V} \leq V_{SUPPLY} \leq \pm 100\text{V}$

- (1) The Electrical Characteristics tables list ensure specifications under the listed Recommended Operating Conditions except as otherwise modified or specified by the Electrical Characteristics Conditions and/or Notes. Typical specifications are estimations only and are not ensured.
- (2) Absolute Maximum Ratings indicate limits beyond which damage to the device may occur, including inoperability and degradation of device reliability and/or performance. Functional operation of the device and/or non-degradation at the Absolute Maximum Ratings or other conditions beyond those indicated in the Recommended Operating Conditions is not implied. The Recommended Operating Conditions indicate conditions at which the device is functional and the device should not be operated beyond such conditions. All voltages are measured with respect to the ground pin, unless otherwise specified.

ELECTRICAL CHARACTERISTICS $V_{CC} = +100V$, $V_{EE} = -100V$ ⁽¹⁾⁽²⁾

 The following specifications apply for $I_{MUTE} = 150\mu A$ unless otherwise specified. Limits apply for $T_A = 25^\circ C$.

Symbol	Parameter	Conditions	LME49830		Units (Limits)
			Typical ⁽³⁾	Limit ⁽⁴⁾	
I_{CC}	Total Positive Quiescent Power Supply Current	$V_{IN} = 0V$, $V_O = 0V$, $I_O = 0A$	19	24	mA (max)
I_{EE}	Total Negative Quiescent Power Supply Current	$V_{IN} = 0V$, $V_O = 0V$, $I_O = 0A$	-21		mA
THD+N	Total Harmonic Distortion + Noise	No load, $f = 1kHz$, $A_V = 30dB$ $V_{OUT} = 30V_{RMS}$, 30kHz BW	0.0006		%
V_{BIAS}	Bias Voltage		16	15	V (min)
$A_{V(CL)}$	Closed Loop Voltage Gain			26	dB (min)
$A_{V(OL)}$	Open Loop Gain	$f = DC$ $V_{IN} = 1mV_{RMS}$, $f = 1kHz$, $C_C = 10pF$	112 88	82	dB (min)
V_{OM}	Output Voltage Swing	THD = 0.05%, $f = 20Hz$ to 20kHz	68		V_{RMS}
V_{NOISE}	Output Noise	$R_S = 10k\Omega$, $A_V = 30dB$, 30kHz BW A-weighted	44 28	205	μV μV (max)
I_{OUT}	Maximum Output Current	Current from Output pins	56	47	mA (min)
I_{MUTE}	Current into Mute Pin	To put part in "play" mode		130	μA (min)
SR	Slew Rate	$V_{IN} = 1.2V_{P-P}$, $A_V = 30dB$, $f = 10kHz$ square wave, $C_{LOAD} = 2,000pF$	39		V/ μs
V_{OS}	Input Offset Voltage	$V_{CM} = 0V$, $I_O = 0mA$, $I_{MUTE} = 150\mu A$	± 0.9	± 3	mV (max)
		$V_{CM} = 0V$, $I_O = 0mA$, $I_{MUTE} = 0\mu A$	± 0.4	± 4.2	mV (max)
I_B	Input Bias Current	$V_{CM} = 0V$, $I_O = 0mA$	95	250	nA (max)
PSRR _{AC}	Power Supply Rejection Ratio (AC)	$R_S = 1k\Omega$, $f = 100Hz$, $V_{RIPPLE} = 1V_{RMS}$, Input Referred, $A_V = 30dB$	104		dB
PSRR _{DC}	Power Supply Rejection Ratio (DC)	$R_S = 1k\Omega$, Input Referred, $A_V = 30dB$	105	94	dB (min)
I_{AB}	Bias Control Current	Shorted output, shorted bias control	2	1.6	mA (min)
				2.7	mA (max)

- (1) The Electrical Characteristics tables list ensure specifications under the listed Recommended Operating Conditions except as otherwise modified or specified by the Electrical Characteristics Conditions and/or Notes. Typical specifications are estimations only and are not ensured.
- (2) Absolute Maximum Ratings indicate limits beyond which damage to the device may occur, including inoperability and degradation of device reliability and/or performance. Functional operation of the device and/or non-degradation at the Absolute Maximum Ratings or other conditions beyond those indicated in the Recommended Operating Conditions is not implied. The Recommended Operating Conditions indicate conditions at which the device is functional and the device should not be operated beyond such conditions. All voltages are measured with respect to the ground pin, unless otherwise specified.
- (3) Typical values represent most likely parametric norms at $T_A = +25^\circ C$, and at the Recommended Operation Conditions at the time of product characterization.
- (4) Data sheet min and max specification limits are specified by test or statistical analysis.

Test Circuit Diagram

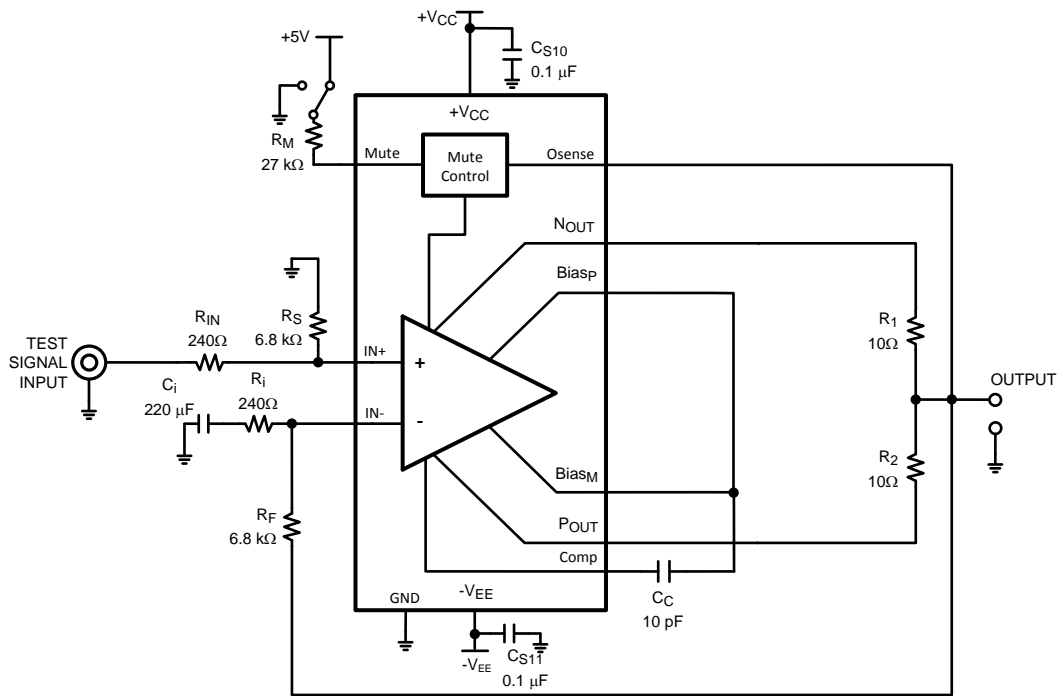


Figure 4. LME49830 Test Circuit Diagram

TYPICAL PERFORMANCE CHARACTERISTICS

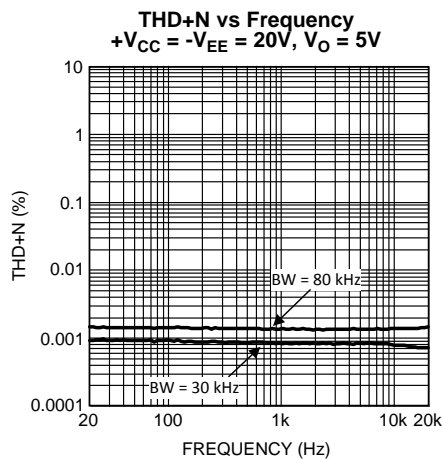


Figure 5.

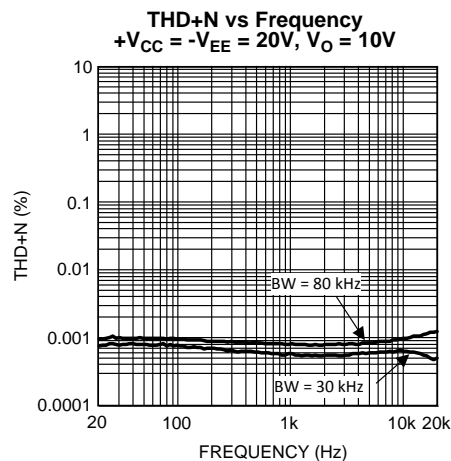


Figure 6.

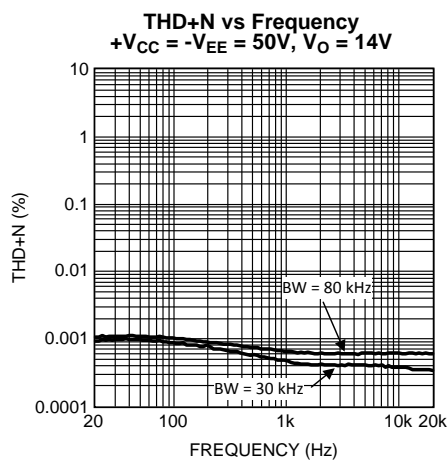


Figure 7.

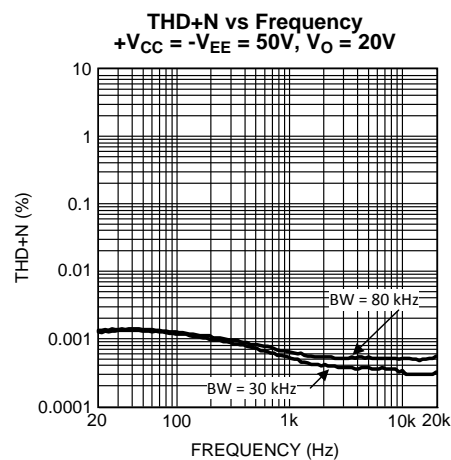


Figure 8.

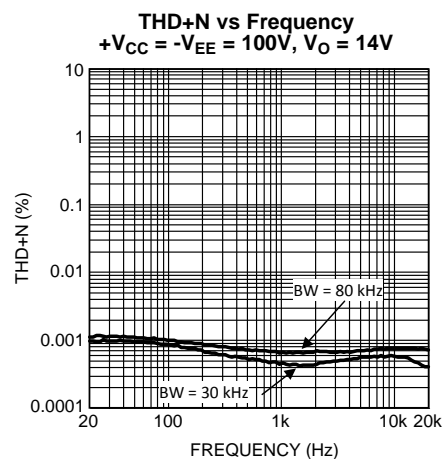


Figure 9.

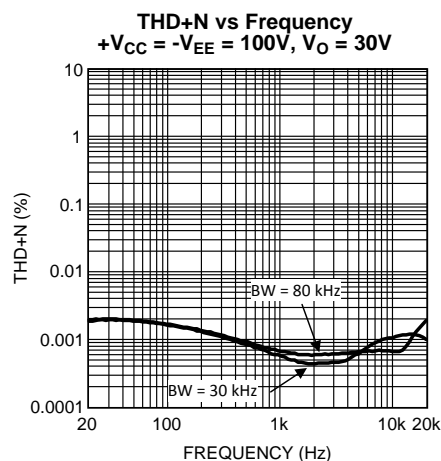


Figure 10.

TYPICAL PERFORMANCE CHARACTERISTICS (continued)

THD+N vs Output Voltage
 $+V_{CC} = -V_{EE} = 50V, f = 20Hz$

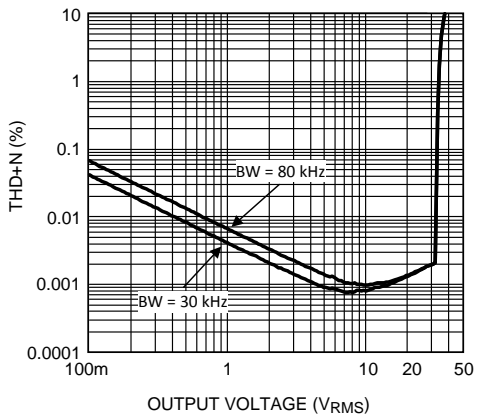


Figure 11.

THD+N vs Output Voltage
 $+V_{CC} = -V_{EE} = 100V, f = 20Hz$

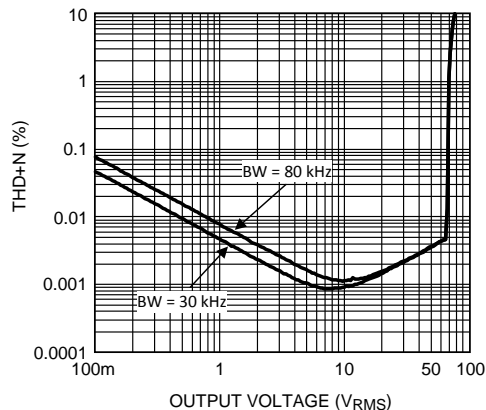


Figure 12.

THD+N vs Output Voltage
 $+V_{CC} = -V_{EE} = 50V, f = 1kHz$

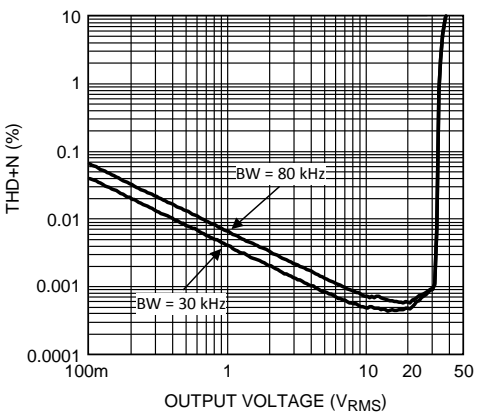


Figure 13.

THD+N vs Output Voltage
 $+V_{CC} = -V_{EE} = 100V, f = 1kHz$

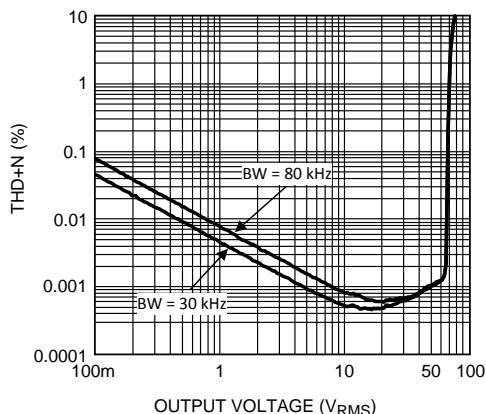


Figure 14.

THD+N vs Output Voltage
 $+V_{CC} = -V_{EE} = 50V, f = 20kHz$

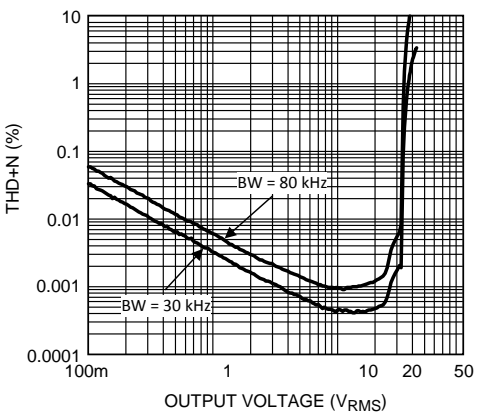


Figure 15.

THD+N vs Output Voltage
 $+V_{CC} = -V_{EE} = 100V, f = 20kHz$

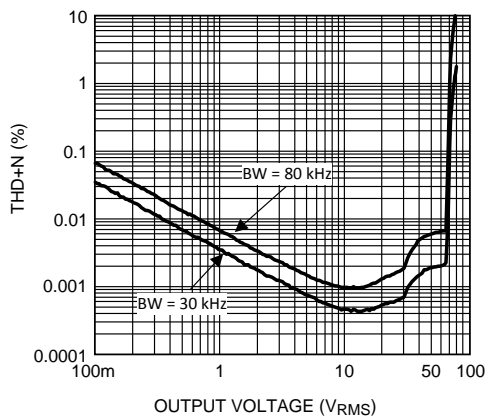


Figure 16.

TYPICAL PERFORMANCE CHARACTERISTICS (continued)

THD+N vs Output Voltage
 $+V_{CC} = -V_{EE} = 20V, f = 20Hz$

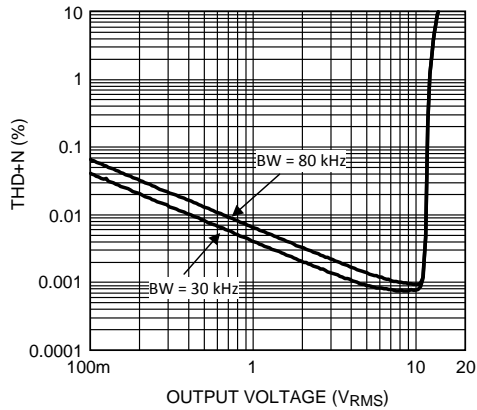


Figure 17.

THD+N vs Output Voltage
 $+V_{CC} = -V_{EE} = 20V, f = 1kHz$

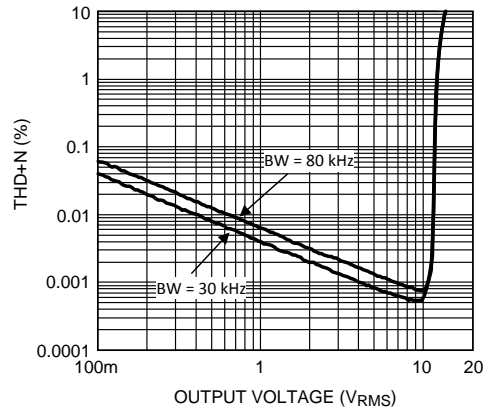


Figure 18.

THD+N vs Output Voltage
 $+V_{CC} = -V_{EE} = 20V, f = 20kHz$

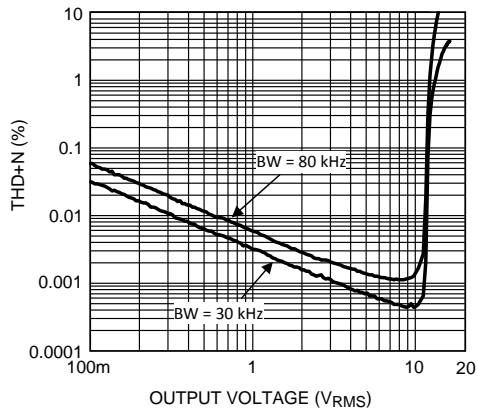


Figure 19.

Closed Loop Frequency Response
 $+V_{CC} = -V_{EE} = 50V, V_{IN} = 1V_{RMS}$

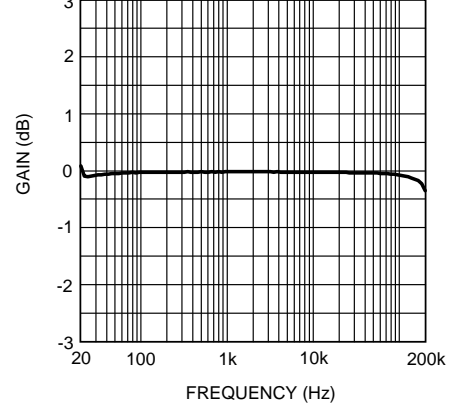


Figure 20.

Closed Loop Frequency Response
 $+V_{CC} = -V_{EE} = 100V, V_{IN} = 1V_{RMS}$

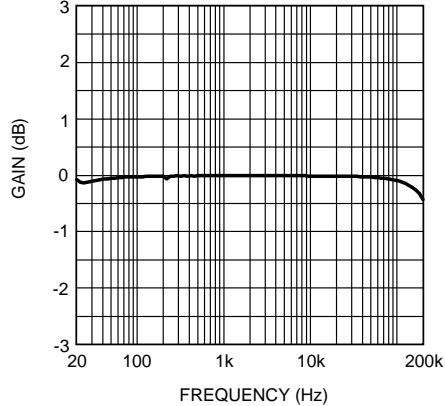


Figure 21.

PSRR vs Frequency
 $+V_{CC} = -V_{EE} = 100V, \text{No Filters, Input Referred}$
 $V_{RIPPLE} = 200mV_{RMS} \text{ on } V_{CC} \text{ pin}$

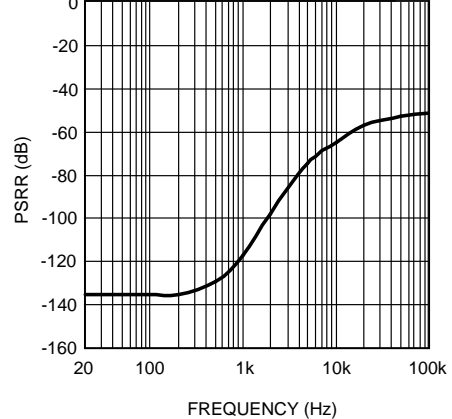
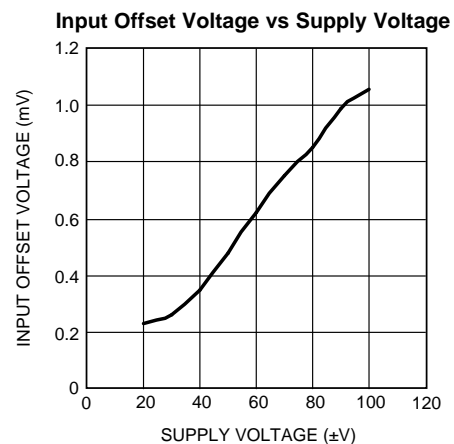
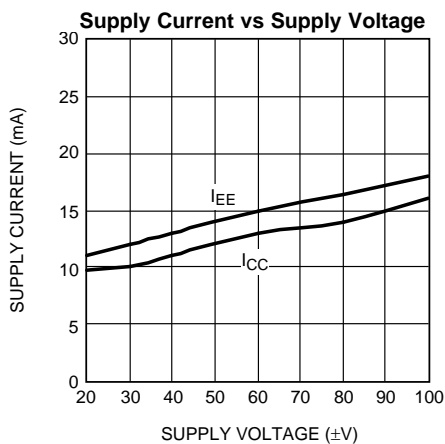
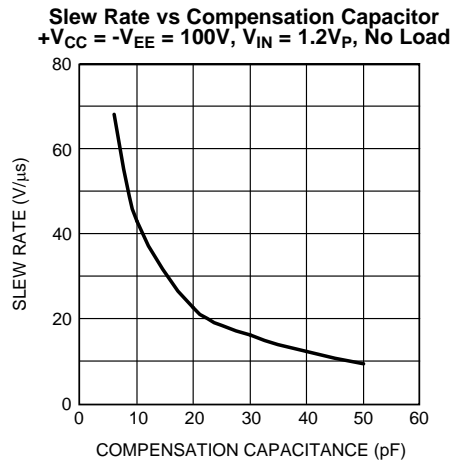
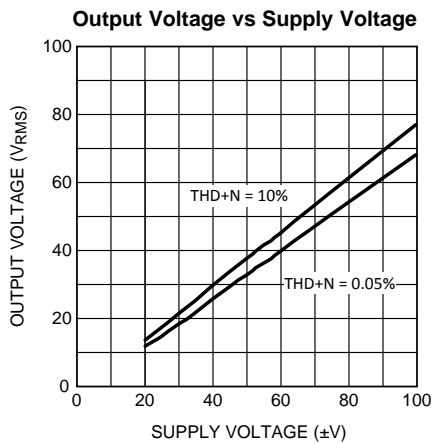
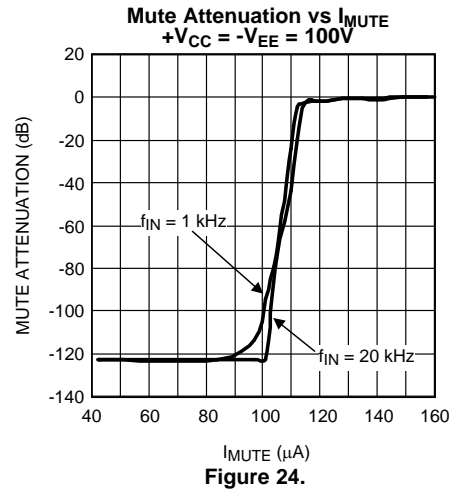
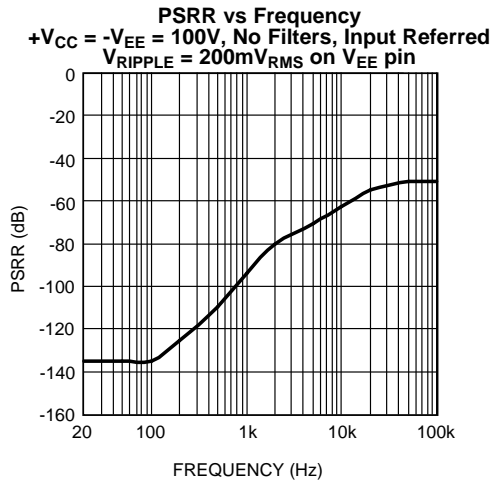


Figure 22.

TYPICAL PERFORMANCE CHARACTERISTICS (continued)



TYPICAL PERFORMANCE CHARACTERISTICS (continued)

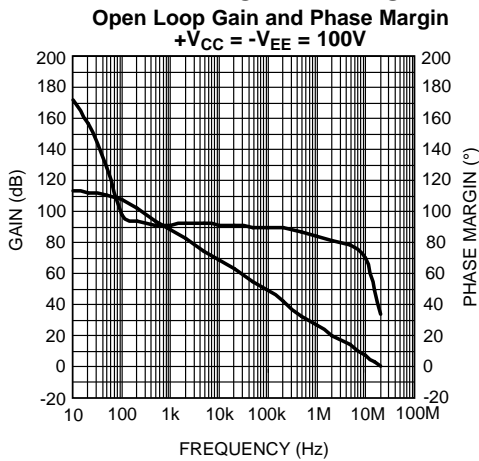


Figure 29.

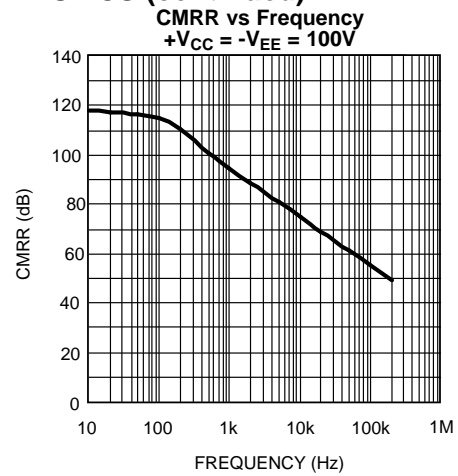


Figure 30.

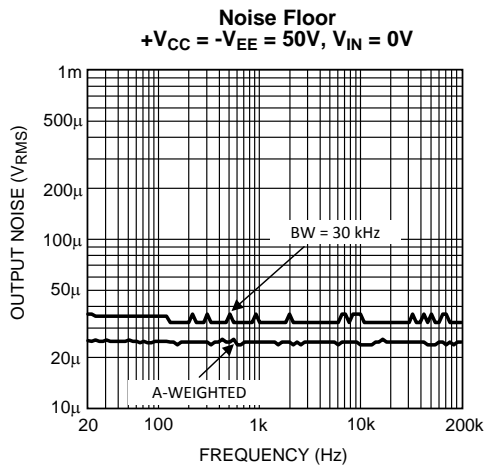


Figure 31.

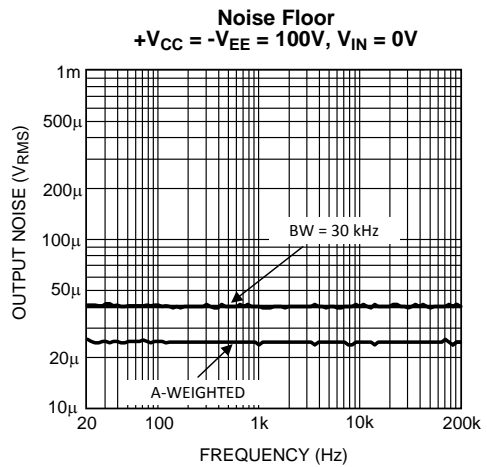


Figure 32.

APPLICATION INFORMATION

MUTE FUNCTION

The mute function of the LME49830 is controlled by the amount of current that flows into the MUTE pin. If there is less than 100 μ A of current flowing into the MUTE pin, the part will be in mute mode. This can be achieved by shorting the MUTE pin to ground. It is recommended to connect a capacitor C_M (its value not less than 47 μ F) between the MUTE pin and ground for reducing voltage fluctuation when switching between 'play' and 'mute' mode. If there is between 130 μ A and 2mA of current flowing into the MUTE pin, the part will be in 'play' mode. This can be done by connecting a power supply, V_{MUTE} , to the MUTE pin through a resistor, R_M . The current into the MUTE pin can be determined by the equation $I_{MUTE} = (V_{MUTE} - V_{BE}) / (1k\Omega + R_M)$ (A), where $V_{BE} \approx 0.7V$. For example, if a 5V power supply is connected through a 27k Ω resistor to the MUTE pin, then the mute current will be 154 μ A, at the center of the specified range. It is also possible to use V_{CC} as the power supply for the MUTE pin, though R_M will have to be recalculated accordingly. It is not recommended to flow more than 2mA of current into the MUTE pin because damage to the LME49830 may occur.

THERMAL PROTECTION

When the temperature on the die exceeds 150°C, the LME49830 shuts down. It starts operating again when the die temperature drops to about 145°C. When in thermal shutdown, the current supply internal to the LME49830 will be cut-off. There will be no signal generated to the output while in thermal shutdown. After the die temperature decreases, the LME49830 will power up again and resume normal operation. If the fault conditions continue, thermal protection will be activated and repeat the cycle preventing the LME49830 from over heating.

Since the die temperature is directly dependent upon the heat sink used, the heat sink should be chosen so that thermal shutdown is not activated during normal operation. Using the best heat sink possible within the cost and space constraints of the system will improve the long-term reliability of any power semiconductor device, as discussed in the [DETERMINING THE CORRECT HEAT SINK](#) section. It is recommended to use a separate heat sink from the output stage heat sink for the LME49830. A heat sink may not be needed if the supply voltages are low.

POWER DISSIPATION AND HEAT SINKING

When in "play" mode, the LME49830 draws a constant amount of current, regardless of the input signal amplitude. Consequently, the power dissipation is constant for a given supply voltage and can be computed with the equation $P_{DMAX} = I_{CC} \times (V_{CC} - V_{EE})$ (W). For a quick calculation of P_{DMAX} , approximate the current to be 20mA and multiply it by the total supply voltage (the current varies slightly from this value over the operating range).

DETERMINING THE CORRECT HEAT SINK

The choice of a heat sink for any power IC is made entirely to keep the die temperature at a level such that the thermal protection circuitry is not activated under normal circumstances.

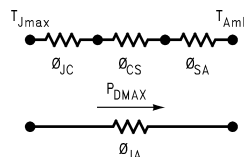
The thermal resistance from the die to the outside air, θ_{JA} (junction to ambient), is a combination of three thermal resistances, θ_{JC} (junction to case), θ_{CS} (case to sink), and θ_{SA} (sink to ambient). The thermal resistance, θ_{JC} (junction to case), of the LME49830TB is 4°C/W. Using Thermalloy Thermacote thermal compound, the thermal resistance, θ_{CS} (case to sink), is about 0.2°C/W. Since convection heat flow (power dissipation) is analogous to current flow, thermal resistance is analogous to electrical resistance, and temperature drops are analogous to voltage drops, the power dissipation out of the LME49830 is equal to the following:

$$P_{DMAX} = (T_{JMAX} - T_{AMB}) / \theta_{JA} \text{ (W)}$$

where

- $T_{JMAX} = 150^\circ\text{C}$
- T_{AMB} is the system ambient temperature
- $\theta_{JA} = \theta_{JC} + \theta_{CS} + \theta_{SA}$

(1)



Once the maximum package power dissipation has been calculated, the maximum thermal resistance, θ_{SA} , (heat sink to ambient) in °C/W for a heat sink can be calculated. This calculation is made using [Equation \(2\)](#) which is derived by solving for θ_{SA} in [Equation \(1\)](#).

$$\theta_{SA} = [(T_{JMAX} - T_{AMB}) - P_{DMAX}(\theta_{JC} + \theta_{CS})] / P_{DMAX} \text{ (}^\circ\text{C/W)} \quad (2)$$

Again it must be noted that the value of θ_{SA} is dependent upon the system designer's amplifier requirements. If the ambient temperature that the audio amplifier is to be working under is higher, then the thermal resistance for the heat sink, given all other things are equal, will need to be smaller (better heat sink).

PROPER SELECTION OF EXTERNAL COMPONENTS

Proper selection of external components is required to meet the design targets of an application. The choice of external component values that will affect gain and low frequency response are discussed below.

The gain is set by resistors R_f and R_i for the non-inverting configuration shown in [Figure 1](#). The gain is found by [Equation 3](#) below:

$$A_V = 1 + R_f / R_i \text{ (V/V)} \quad (3)$$

For best noise performance, lower values of resistors are used. For the LME49830 the gain should be set no lower than 26dB. Gain settings below 26dB may experience instability.

The combination of R_i with C_i (see [Figure 1](#)) creates a high-pass filter. The low frequency response is determined by these two components. The -3dB point can be found from [Equation 4](#) shown below:

$$f_i = 1 / (2\pi R_i C_i) \text{ (Hz)} \quad (4)$$

If an input coupling capacitor is used to block DC from the inputs as shown in [Figure 1](#), there will be another high-pass filter created with the combination of C_{IN} and R_{IN} . When using a input coupling capacitor R_{IN} is needed to set the DC bias point on the amplifier's input terminal. The resulting -3dB frequency response due to the combination of C_{IN} and R_{IN} can be found from [Equation 5](#) shown below:

$$f_{IN} = 1 / (2\pi R_{IN} C_{IN}) \text{ (Hz)} \quad (5)$$

With large values of R_{IN} oscillations may be observed on the outputs when the inputs are left floating. Decreasing the value of R_{IN} or not letting the inputs float will remove the oscillations. If the value of R_{IN} is decreased then the value of C_{IN} will need to increase in order to maintain the same -3dB frequency response.

AVOIDING THERMAL RUNAWAY WHEN USING BIPOLAR OUTPUT STAGES

When using a bipolar output stage with the LME49830, the designer must beware of thermal runaway. Thermal runaway is a result of the temperature dependence of V_{BE} (an inherent property of the transistor). As temperature increases, V_{BE} decreases. In practice, current flowing through a bipolar transistor heats up the transistor, which lowers the V_{BE} . This in turn increases the current again, and the cycle repeats. If the system is not designed properly, this positive feedback mechanism can destroy the bipolar transistors used in the output stage.

One of the recommended methods of preventing thermal runaway is to use a heat sink on the bipolar output transistors. This will keep the temperature of the transistors lower. A second recommended method is to use emitter degeneration resistors. As current increases, the voltage across the emitter degeneration resistor also increases, which decreases the voltage across the base and emitter. This mechanism helps to limit the current and counteracts thermal runaway.

A third recommended method is to use a " V_{BE} multiplier" to bias the bipolar output stage. The V_{BE} multiplier consists of a bipolar transistor and two resistors, one from the base to the collector and one from the base to the emitter. The voltage from the collector to the emitter (also the bias voltage of the output stage) is $V_{BIAS} = V_{BE}(1 + R_{CB}/R_{BE})$, which is why this circuit is called the V_{BE} multiplier. When V_{BE} multiplier transistor (Q_{VBE} in [Figure 1](#)) is mounted to the same heat sink as the bipolar output transistors, its temperature will track that of the output transistors. The bias voltage will be reduced as the Q_{VBE} heats up reducing bias current in the output stage.

The bias circuit used in [Figure 1](#) is a modified V_{BE} multiplier circuit. The additional resistor, R_{B1} , sets a temperature independent portion of the bias voltage while the rest of the V_{BE} multiplier circuit will adjust bias voltage with temperature. This reduces the amount of bias voltage change with heat sink temperature for steady bias current with the output devices shown.

BIAS SETTING

Setting the bias voltage and resulting output stage bias current is done by adjusting the R_{BIAS} resistor. If temperature compensation is not needed for the bias stage, the bias stage can consist of just a resistor and a sufficient capacitor. The output current from the two BIAS pins is typically 2mA and setting the output stage bias voltage is a simple Ohm's Law calculation. The bias voltage can be set up to 16V for maximum flexibility for use with a wide range of different MOSFET types. The wide range of bias voltage also allows for setting the output stage bias current for different performance levels.

OPTIMIZING EXTERNAL COMPONENTS

External component values, types and placement are highly design dependent. Values affect performance such as stability, THD+N, noise, slew rate and sonic performance. Optimizing the values can have a significant effect on total audio performance.

In a simple output stage design with one MOSFET device per side, as shown in [Figure 1](#), the R_E resistors are often considered optional. The $R_{DS(on)}$ of the devices serve a similar purpose. As the output stage is scaled up in number of devices the value of R_E will need to be optimized for best performance. Typical values range from 0.1 Ω to 0.5 Ω .

The value of the gate resistors affect stability and slew rate. The capacitance of the output device should be considered when determining the value of the gate resistor. The values shown in [Figure 1](#) represent a typical value or a starting value from which optimization can occur.

The compensation capacitor (C_C) is one of the most critical external components in value, placement and type. The capacitor should be placed close to the LME49830 and a silver mica type will give good performance. The value of the capacitor will affect slew rate and stability. The highest slew rate possible while also maintaining stability through out the power and frequency range of operation results in the best audio performance. The value shown in [Figure 1](#) should be considered a starting value with optimization done on the bench and in listening testing.

The input capacitor (C_{IN}) is shown in [Figure 1](#) for protection against sources that may have a DC bias. For best audio performance, the input capacitor should not be used. Without the input capacitor, any DC bias from the source will be transferred to the load.

The feedback capacitor (C_i) is used to set the gain at DC to unity. Because a large value is required for a low frequency -3dB point, the capacitor is an electrolytic type. An additional small value, high quality film capacitor may be used in parallel to improve high frequency sonic performance. If DC offset in the output stage is acceptable without the feedback capacitor, it may be removed but DC gain will now be equal to AC gain.

SUPPLY BYPASSING

The LME49830 has excellent power supply rejection and does not require a regulated supply. However, to eliminate possible oscillations all op amps and power op amps should have their supply leads bypassed with low inductance capacitors having short leads and located close to the package terminals. Inadequate power supply bypassing will manifest itself by a low frequency oscillation known as "motorboating" or by high frequency instabilities. These instabilities can be eliminated through multiple bypassing utilizing a large tantalum or electrolytic capacitor (10 μ F minimum) which is used to absorb low frequency variations and a small capacitor (0.1 μ F) to prevent any high frequency feedback through the power supply lines. These capacitors should be located as close as possible to the supply pins of the LME49830. An additional 0.1 μ F - 1 μ F capacitor connected between the V_{CC} to V_{EE} pins of the LME49830 is recommended and each output device should have adequate bypassing at each supply terminal.

OUTPUT SENSING

The Output Sense pin O_{sense} must be connected to the system output as shown in [Figure 1](#). This connection completes the return path to feedback the output voltage to the mute gain circuitry inside LME49830. If the O_{sense} pin is not connected to the output or it is floated, high voltage generated from the output stage may cause damage to the speaker or load.

Demonstration Board Schematic

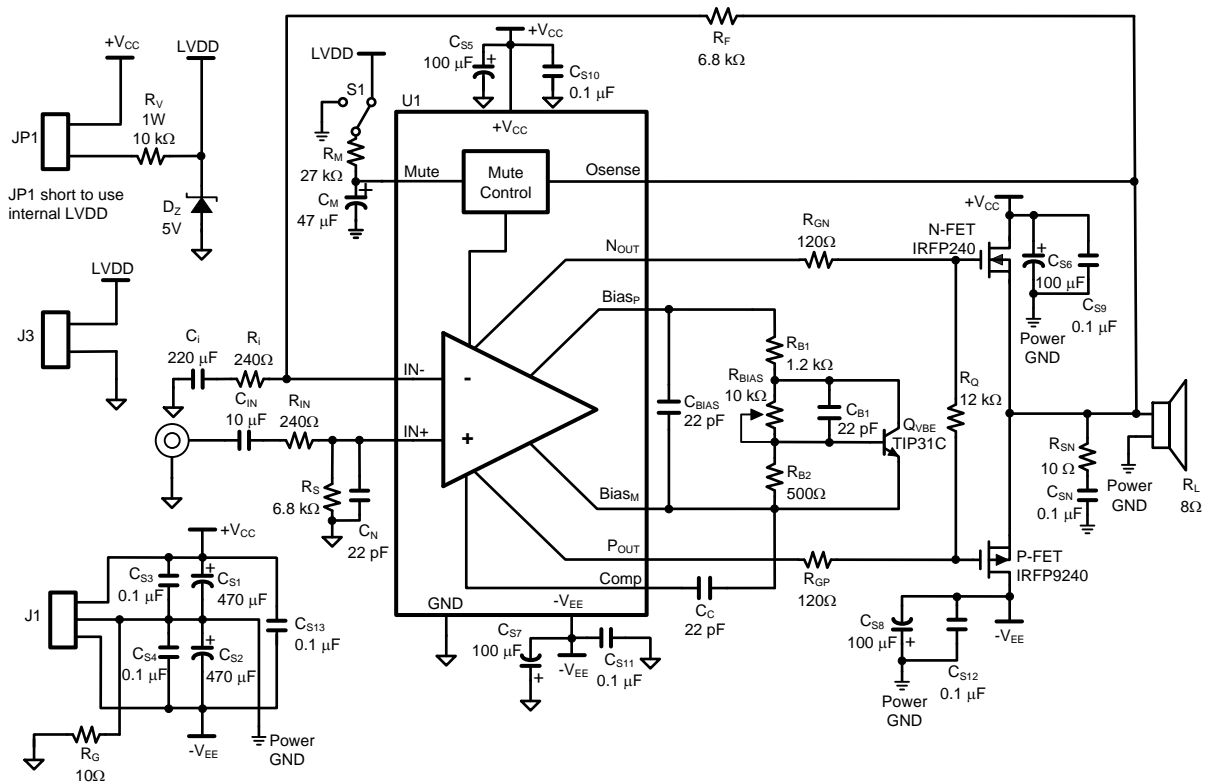


Figure 33. LME49830 Demo Board with Mute Function Schematic

Demonstration Board Layout

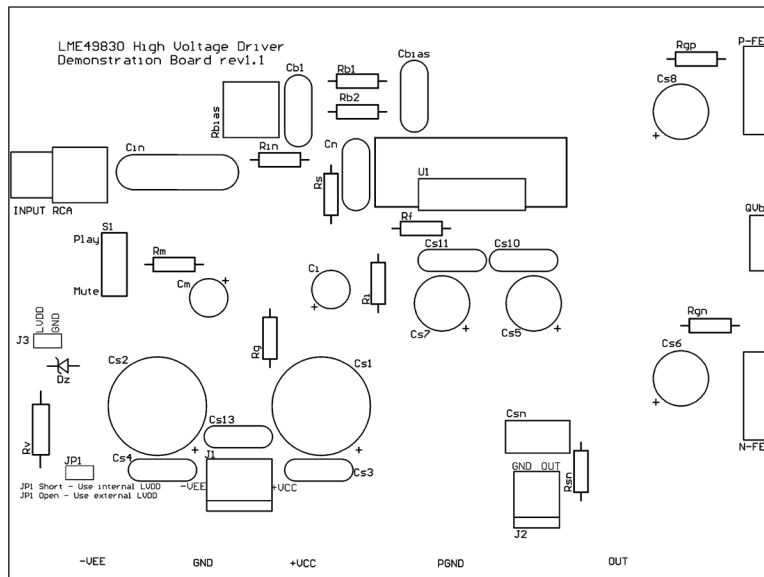


Figure 34. Top Silkscreen

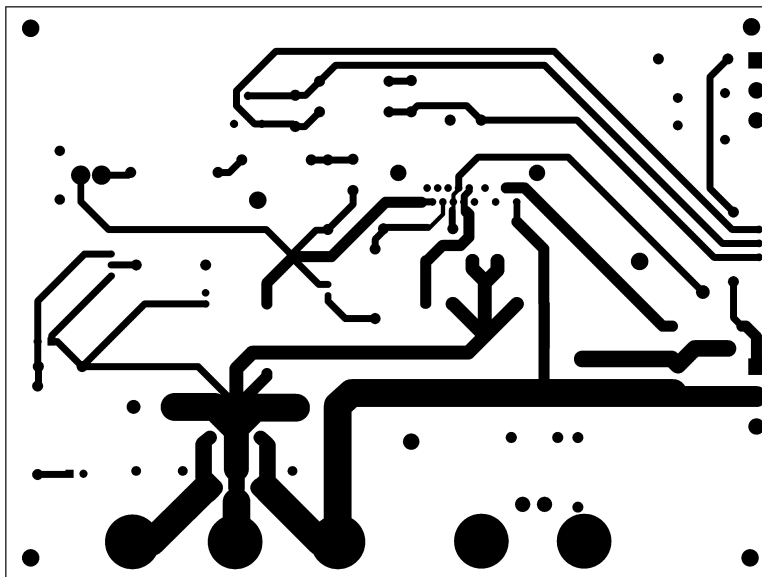


Figure 35. Top Layer

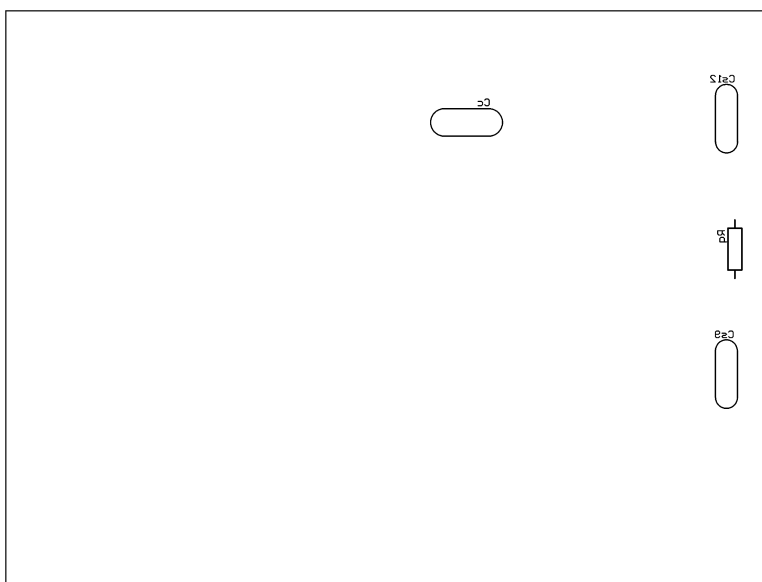
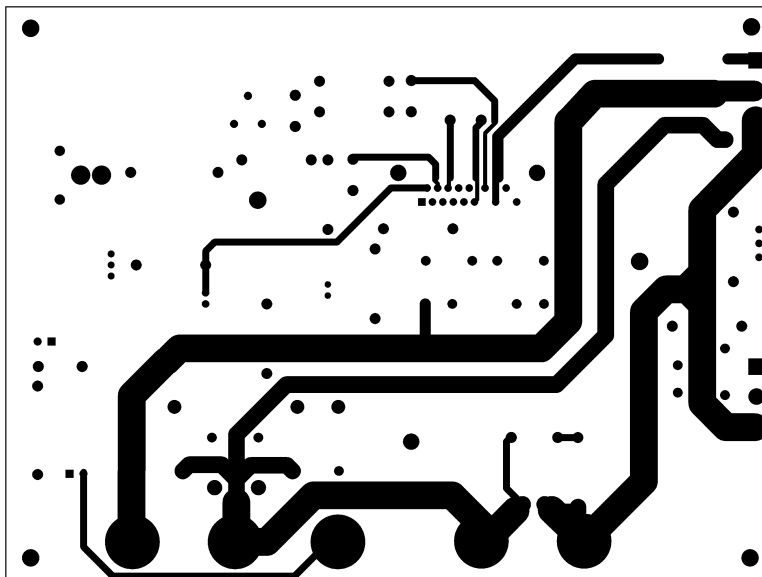


Figure 36. Bottom Silkscreen Layer


Figure 37. Bottom Layer
Demonstration Board Bill of Materials

Item	Description	Designator	Part Number	Quantity	Value	Supplier
1	High Perf MOSFET Power Amplifier Input Stage	U1	LME49830TB	1	200V, 60mA	Texas Instruments
2	Mica Capacitor	C _{BIAS} , C _C , C _N , C _{B1}	495-666	4	22pF	RS
3	Aluminum Electrolytic Capacitor	C _i	EEUFC1C221	1	220μF, 16V	Panasonic
4	Metal Polyester Film Cap	C _{in}	ECQE1106KF	1	10μF, 100V	Panasonic
5	Aluminum Electrolytic Capacitor	C _{s1} , C _{s2}	EEUFC2A471	2	470μF, 100V	Panasonic
6	Metal Polyester Film Cap	C _{s3} , C _{s4} , C _{s9} , C _{s10} , C _{s11} , C _{s12} , C _{s13}	ECQE2104KF	7	0.1μF, 200V	Panasonic
7	Zener Diode	Dz	TZX5V1C	1	5V	Vishay
8	RCA Jack	INPUT RCA	N/A	1	N/A	N/A
9	Header, 3-pin	J1	N/A	1	N/A	N/A
10	Header, 2-Pin	J2	N/A	1	N/A	N/A
11	Female Bannana Jack - Red	+V _{CC}	2142-2	1	N/A	Pomona Electronics
12	Female Bannana Jack - Red	-V _{EE}	2142-2	1	N/A	Pomona Electronics
13	Female Bannana Jack - Black	GND	2142-0	1	N/A	Pomona Electronics
14	Female Bannana Jack - Black	PGND	2142-0	1	N/A	Pomona Electronics
15	Female Bannana Jack - Red	OUT	2142-2	1	N/A	Pomona Electronics
16	Header, 2-Pin	JPI, J3	5-826646-0	2	N/A	Tyco Electronics
17	HEXFET Power N-MOSFET	N-FET	IRFP240	1	250V, 15A	International Rectifier
18	HEXFET Power P-MOSFET	P-FET	IRFP9240	1	-200V, -12A	International Rectifier
19	Resistor	R _{B1}	ERO-25PHF1201	1	1.2kΩ	Panasonic
20	Resistor	R _{B2}	ERO-25PHF5000	1	500Ω	Panasonic
21	Potentiometer	R _{BIAS}	63M-T607-103	1	10kΩ	Vishay
22	Resistor	R _F , R _S	ERO-25PHF6801	2	6.8kΩ	Panasonic
23	Resistor	R _{GN} , R _{GP}	ERG-12SJ121	2	120Ω, 0.5W	Panasonic

Item	Description	Designator	Part Number	Quantity	Value	Supplier
24	Resistor	R_i, R_{IN}	ERO-25PHF2400	2	240 Ω	Panasonic
25	Resistor	R_M	ERO-25PHF2702	1	27k Ω	Panasonic
26	Resistor	R_V	ERG1SJ103	1	10k Ω , 1W	Panasonic
27	Resistor	R_Q	ERO-25PHF1202	1	12k Ω	Panasonic
28	Resistor	R_G	ERG-12SJ100	1	10 Ω , 0.5W	Panasonic
29	Single-Pole, Double-Throw Switch	S1	SS40010F-0102-2.5G-NN	1	N/A	Alpha
30	Metal Polyester Film Cap	Csn	ECQE2104KF	1	0.1 μ F, 200V	Panasonic
31	Resistor	Rsn	ERO-25PHF10R0	1	10 Ω , 0.25W	Panasonic
32	Heat Sink for N-FET, P-FET, Q_{VBE}	N/A	150018	1	0.85 $^{\circ}$ C/W	Farnell Newark
33	Heat Sink Clip for U1	N/A	403-207	1	N/A	RS
34	Sil-pad Insulator	N/A	169-2177	4	N/A	RS
35	Heat Sink for U1–LME49830	N/A	403178	1	10 $^{\circ}$ C/W	RS
36	Aluminum Electrolytic Capacitor	Cs5, Cs6, Cs7, Cs8	EEUFC2A101	4	100 μ F, 100V	RS
37	Aluminum Electrolytic Capacitor	C_M	EEUFC1E470	1	47 μ F, 25V	Panasonic
38	Transistor	Q_{VBE}	TIP31C	1	100V	On Semiconductor

REVISION HISTORY

Rev	Date	Description
1.0	01/09/08	Initial release.
1.01	01/16/08	Deleted the Limit values on Vnoise (EC table)..
1.02	01/22/08	Changed limit values on Vnoise, I _B , and I _{AB} .
1.03	01/24/08	Updated the Typical demo ckt diagram and the App ckt diagram.
D	04/05/13	Changed layout of National Data Sheet to TI format.

PACKAGING INFORMATION

Orderable Device	Status (1)	Package Type	Package Drawing	Pins	Package Qty	Eco Plan (2)	Lead/Ball Finish	MSL Peak Temp (3)	Op Temp (°C)	Device Marking (4/5)	Samples
LME49830TB/NOPB	ACTIVE	TO-OTHER	NDN	15	24	Green (RoHS & no Sb/Br)	CU SN	Level-1-NA-UNLIM	-20 to 75	LME49830 TB	Samples

(1) The marketing status values are defined as follows:

ACTIVE: Product device recommended for new designs.

LIFEBUY: TI has announced that the device will be discontinued, and a lifetime-buy period is in effect.

NRND: Not recommended for new designs. Device is in production to support existing customers, but TI does not recommend using this part in a new design.

PREVIEW: Device has been announced but is not in production. Samples may or may not be available.

OBSOLETE: TI has discontinued the production of the device.

(2) Eco Plan - The planned eco-friendly classification: Pb-Free (RoHS), Pb-Free (RoHS Exempt), or Green (RoHS & no Sb/Br) - please check <http://www.ti.com/productcontent> for the latest availability information and additional product content details.

TBD: The Pb-Free/Green conversion plan has not been defined.

Pb-Free (RoHS): TI's terms "Lead-Free" or "Pb-Free" mean semiconductor products that are compatible with the current RoHS requirements for all 6 substances, including the requirement that lead not exceed 0.1% by weight in homogeneous materials. Where designed to be soldered at high temperatures, TI Pb-Free products are suitable for use in specified lead-free processes.

Pb-Free (RoHS Exempt): This component has a RoHS exemption for either 1) lead-based flip-chip solder bumps used between the die and package, or 2) lead-based die adhesive used between the die and leadframe. The component is otherwise considered Pb-Free (RoHS compatible) as defined above.

Green (RoHS & no Sb/Br): TI defines "Green" to mean Pb-Free (RoHS compatible), and free of Bromine (Br) and Antimony (Sb) based flame retardants (Br or Sb do not exceed 0.1% by weight in homogeneous material)

(3) MSL, Peak Temp. -- The Moisture Sensitivity Level rating according to the JEDEC industry standard classifications, and peak solder temperature.

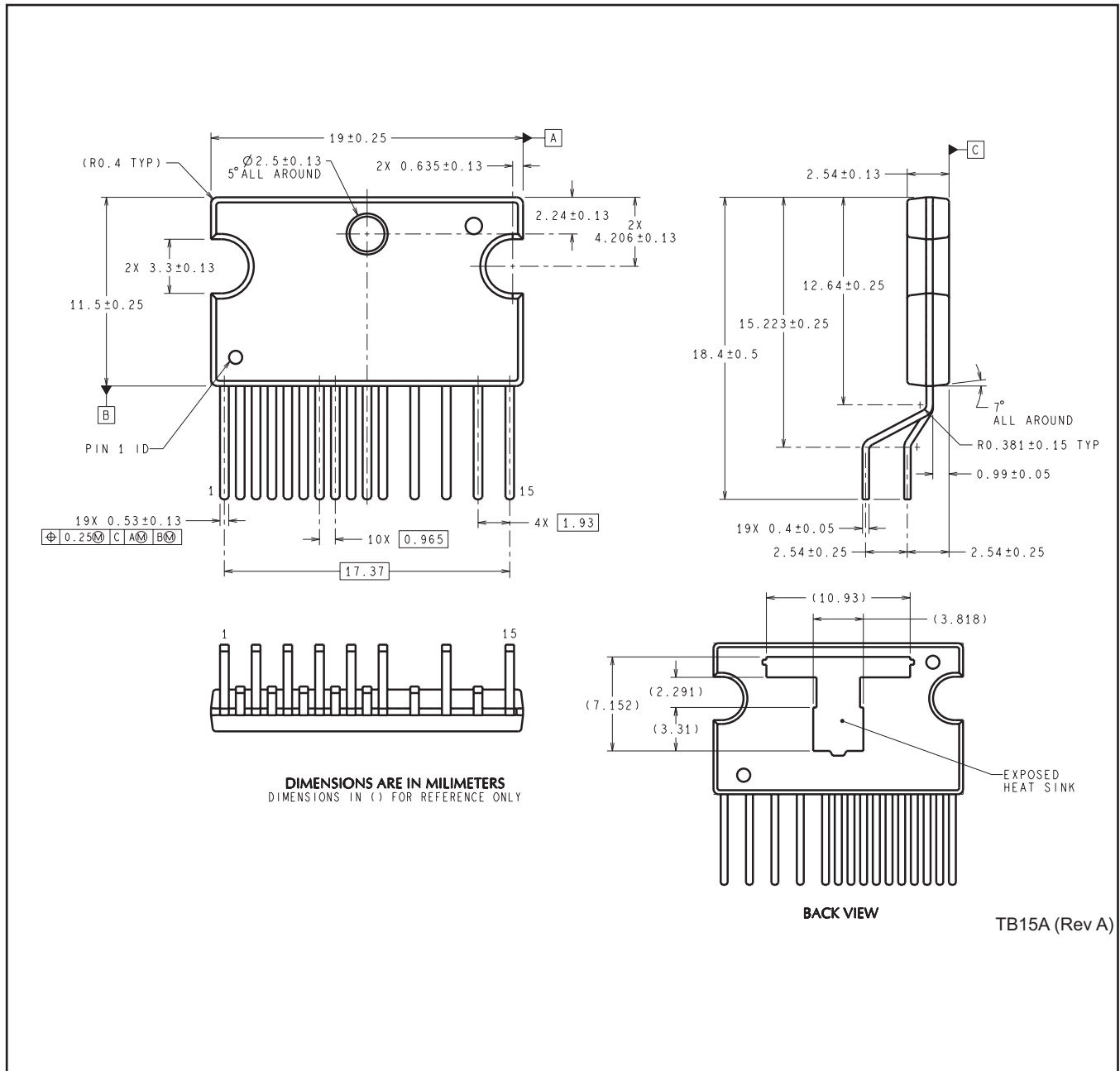
(4) There may be additional marking, which relates to the logo, the lot trace code information, or the environmental category on the device.

(5) Multiple Device Markings will be inside parentheses. Only one Device Marking contained in parentheses and separated by a "~" will appear on a device. If a line is indented then it is a continuation of the previous line and the two combined represent the entire Device Marking for that device.

Important Information and Disclaimer: The information provided on this page represents TI's knowledge and belief as of the date that it is provided. TI bases its knowledge and belief on information provided by third parties, and makes no representation or warranty as to the accuracy of such information. Efforts are underway to better integrate information from third parties. TI has taken and continues to take reasonable steps to provide representative and accurate information but may not have conducted destructive testing or chemical analysis on incoming materials and chemicals. TI and TI suppliers consider certain information to be proprietary, and thus CAS numbers and other limited information may not be available for release.

In no event shall TI's liability arising out of such information exceed the total purchase price of the TI part(s) at issue in this document sold by TI to Customer on an annual basis.

NDN0015A



DIMENSIONS ARE IN MILLIMETERS
 DIMENSIONS IN () FOR REFERENCE ONLY

IMPORTANT NOTICE

Texas Instruments Incorporated and its subsidiaries (TI) reserve the right to make corrections, enhancements, improvements and other changes to its semiconductor products and services per JESD46, latest issue, and to discontinue any product or service per JESD48, latest issue. Buyers should obtain the latest relevant information before placing orders and should verify that such information is current and complete. All semiconductor products (also referred to herein as "components") are sold subject to TI's terms and conditions of sale supplied at the time of order acknowledgment.

TI warrants performance of its components to the specifications applicable at the time of sale, in accordance with the warranty in TI's terms and conditions of sale of semiconductor products. Testing and other quality control techniques are used to the extent TI deems necessary to support this warranty. Except where mandated by applicable law, testing of all parameters of each component is not necessarily performed.

TI assumes no liability for applications assistance or the design of Buyers' products. Buyers are responsible for their products and applications using TI components. To minimize the risks associated with Buyers' products and applications, Buyers should provide adequate design and operating safeguards.

TI does not warrant or represent that any license, either express or implied, is granted under any patent right, copyright, mask work right, or other intellectual property right relating to any combination, machine, or process in which TI components or services are used. Information published by TI regarding third-party products or services does not constitute a license to use such products or services or a warranty or endorsement thereof. Use of such information may require a license from a third party under the patents or other intellectual property of the third party, or a license from TI under the patents or other intellectual property of TI.

Reproduction of significant portions of TI information in TI data books or data sheets is permissible only if reproduction is without alteration and is accompanied by all associated warranties, conditions, limitations, and notices. TI is not responsible or liable for such altered documentation. Information of third parties may be subject to additional restrictions.

Resale of TI components or services with statements different from or beyond the parameters stated by TI for that component or service voids all express and any implied warranties for the associated TI component or service and is an unfair and deceptive business practice. TI is not responsible or liable for any such statements.

Buyer acknowledges and agrees that it is solely responsible for compliance with all legal, regulatory and safety-related requirements concerning its products, and any use of TI components in its applications, notwithstanding any applications-related information or support that may be provided by TI. Buyer represents and agrees that it has all the necessary expertise to create and implement safeguards which anticipate dangerous consequences of failures, monitor failures and their consequences, lessen the likelihood of failures that might cause harm and take appropriate remedial actions. Buyer will fully indemnify TI and its representatives against any damages arising out of the use of any TI components in safety-critical applications.

In some cases, TI components may be promoted specifically to facilitate safety-related applications. With such components, TI's goal is to help enable customers to design and create their own end-product solutions that meet applicable functional safety standards and requirements. Nonetheless, such components are subject to these terms.

No TI components are authorized for use in FDA Class III (or similar life-critical medical equipment) unless authorized officers of the parties have executed a special agreement specifically governing such use.

Only those TI components which TI has specifically designated as military grade or "enhanced plastic" are designed and intended for use in military/aerospace applications or environments. Buyer acknowledges and agrees that any military or aerospace use of TI components which have **not** been so designated is solely at the Buyer's risk, and that Buyer is solely responsible for compliance with all legal and regulatory requirements in connection with such use.

TI has specifically designated certain components as meeting ISO/TS16949 requirements, mainly for automotive use. In any case of use of non-designated products, TI will not be responsible for any failure to meet ISO/TS16949.

Products

Audio	www.ti.com/audio
Amplifiers	amplifier.ti.com
Data Converters	dataconverter.ti.com
DLP® Products	www.dlp.com
DSP	dsp.ti.com
Clocks and Timers	www.ti.com/clocks
Interface	interface.ti.com
Logic	logic.ti.com
Power Mgmt	power.ti.com
Microcontrollers	microcontroller.ti.com
RFID	www.ti-rfid.com
OMAP Applications Processors	www.ti.com/omap
Wireless Connectivity	www.ti.com/wirelessconnectivity

Applications

Automotive and Transportation	www.ti.com/automotive
Communications and Telecom	www.ti.com/communications
Computers and Peripherals	www.ti.com/computers
Consumer Electronics	www.ti.com/consumer-apps
Energy and Lighting	www.ti.com/energy
Industrial	www.ti.com/industrial
Medical	www.ti.com/medical
Security	www.ti.com/security
Space, Avionics and Defense	www.ti.com/space-avionics-defense
Video and Imaging	www.ti.com/video

TI E2E Community

e2e.ti.com