

## ADC1005 10-Bit $\mu$ P Compatible A/D Converter

Check for Samples: [ADC1005](#)

### FEATURES

- Easy interface to all microprocessors
- Differential analog voltage inputs
- Operates ratiometrically or with 5 V<sub>DC</sub> voltage reference or analog span adjusted voltage reference
- 0V to 5V analog input voltage range with single 5V supply
- On-chip clock generator
- TLL/MOS input/output compatible
- 0.3" standard width 20-pin DIP

### KEY SPECIFICATIONS

- Resolution 10 bits
- Linearity Error  $\pm\frac{1}{2}$  LSB and  $\pm 1$  LSB
- Conversion Time 50  $\mu$ s

### Connection Diagram

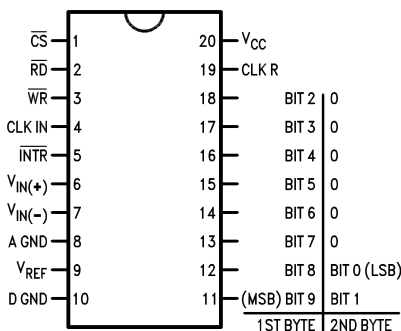


Figure 1. ADC 1005 (for an 8-bit data bus)  
Dual-In-Line Package - Top View



These devices have limited built-in ESD protection. The leads should be shorted together or the device placed in conductive foam during storage or handling to prevent electrostatic damage to the MOS gates.



Please be aware that an important notice concerning availability, standard warranty, and use in critical applications of Texas Instruments semiconductor products and disclaimers thereto appears at the end of this data sheet.

TRI-STATE is a registered trademark of Texas Instruments.  
All other trademarks are the property of their respective owners.

**ADC1005**

SNAS526F – JUNE 1999 – REVISED APRIL 2013

[www.ti.com](http://www.ti.com)**Absolute Maximum Ratings**<sup>(1)(2)(3)</sup>

Supply Voltage ( $V_{CC}$ )			6.5V
Logic Control Inputs			-0.3V to +15V
Voltage at Other Inputs and Outputs			-0.3V to $V_{CC} + 0.3V$
Input Current Per Pin			$\pm 5$ mA
Input Current Per Package			$\pm 20$ mA
Storage Temperature Range			-65°C to +150°C
Package Dissipation at $T_A = 25^\circ\text{C}$			875 mW
Lead Temperature	Soldering, 10 seconds	Dual-In-Line Package (Ceramic)	300°C
ESD Susceptibility <sup>(4)</sup>			800V

- (1) All voltages are measured with respect to ground.
- (2) Absolute Maximum Ratings indicate limits beyond which damage to the device may occur. DC and AC electrical specifications do not apply when operating the device beyond its specified operating conditions.
- (3) If Military/Aerospace specified devices are required, please contact the Texas Instruments Sales Office/ Distributors for availability and specifications.
- (4) Human body model, 100 pF discharged through a 1.5 k $\Omega$  resistor.

**Operating Ratings**<sup>(1)(2)</sup>

Supply Voltage ( $V_{CC}$ )			4.5V to 6.0V
Temperature Range			$T_{MIN} \leq T_A \leq T_{MAX}$
ADC1005BCJ	ADC1005BCJ-1, ADC1005CCJ-1		$-40^\circ\text{C} \leq T_A \leq +85^\circ\text{C}$

- (1) Absolute Maximum Ratings indicate limits beyond which damage to the device may occur. DC and AC electrical specifications do not apply when operating the device beyond its specified operating conditions.
- (2) All voltages are measured with respect to ground.

**Electrical Characteristics**

The following specifications apply for  $V_{CC} = 5V$ ,  $V_{REF} = 5V$ ,  $f_{CLK} = 1.8$  MHz unless otherwise specified. **Boldface limits apply from  $T_{MIN}$  to  $T_{MAX}$** ; All other limits  $T_A = T_j = 25^\circ\text{C}$ .

Parameter	Conditions	ADC1005BCJ			ADC1005BCJ-1, ADC1005CCJ-1			Limit Units
		Typ <sup>(1)</sup>	Tested Limit <sup>(2)</sup>	Design Limit <sup>(3)</sup>	Typ <sup>(1)</sup>	Tested Limit <sup>(2)</sup>	Design Limit <sup>(3)</sup>	
<b>Converter Characteristics</b>								
Linearity Error <sup>(4)</sup>			<b><math>\pm 0.5</math></b>					
ADC1005BCJ								LSB
ADC1005BCJ-1					$\pm 0.5$	<b><math>\pm 0.5</math></b>		LSB
ADC1005CCJ-1					$\pm 1$	<b><math>\pm 1</math></b>		LSB
Zero Error			<b><math>\pm 0.5</math></b>					
ADC1005BCJ								LSB
ADC1005BCJ-1					$\pm 0.5$	<b><math>\pm 0.5</math></b>		LSB
ADC1005CCJ-1					$\pm 1$	<b><math>\pm 1</math></b>		LSB
Fullscale Error			<b><math>\pm 0.5</math></b>					
ADC1005BCJ								LSB
ADC1005BCJ-1					$\pm 0.5$	<b><math>\pm 0.5</math></b>		LSB
ADC1005CCJ-1					$\pm 1$	<b><math>\pm 1</math></b>		LSB
Reference Resistance	MIN	4.8	<b>2.2</b>		4.8	2.4	<b>2.2</b>	k $\Omega$
Input Resistance	MAX	4.8	<b>8.3</b>		4.8	7.6	<b>8.3</b>	k $\Omega$

- (1) Typicals are at 25°C and represent most likely parametric norm.
- (2) Tested and guaranteed to TI's AOQL (Average Outgoing Quality Level).
- (3) Guaranteed, but not 100% production tested. These limits are not used to calculate outgoing quality levels.
- (4) Linearity error is defined as the deviation of the analog value, expressed in LSBs, from the straight line which passes through the end points of the transfer characteristic.

## Electrical Characteristics (continued)

The following specifications apply for  $V_{CC} = 5V$ ,  $V_{REF} = 5V$ ,  $f_{CLK} = 1.8$  MHz unless otherwise specified. **Boldface limits apply from  $T_{MIN}$  to  $T_{MAX}$** ; All other limits  $T_A = T_j = 25^\circ C$ .

Parameter	Conditions	ADC1005BCJ			ADC1005BCJ-1, ADC1005CCJ-1			Limit Units
		Typ <sup>(1)</sup>	Tested Limit <sup>(2)</sup>	Design Limit <sup>(3)</sup>	Typ <sup>(1)</sup>	Tested Limit <sup>(2)</sup>	Design Limit <sup>(3)</sup>	
Common-Mode Input <sup>(5)</sup>	MIN		<b><math>V_{CC}+0.05</math></b>			$V_{CC}+0.05$	<b><math>V_{CC}+0.05</math></b>	V
	MAX	$V_{IN(+)}$ or $V_{IN(-)}$	<b><math>GND-0.05</math></b>			$GND-0.05$	<b><math>GND-0.05</math></b>	V
DC Common-Mode Error	Over Common-Mode Input Range	$\pm 1/8$	<b><math>\pm 1/4</math></b>		$\pm 1/8$	$\pm 1/4$	<b><math>\pm 1/4</math></b>	LSB
Power Supply Sensitivity	$V_{CC}=5$ $V_{DC}\pm 5\%$ $V_{REF} = 4.75V$	$\pm 1/8$	<b><math>\pm 1/4</math></b>		$\pm 1/8$	$\pm 1/4$	<b><math>\pm 1/4</math></b>	LSB
<b>DC Characteristics</b>								
$V_{IN(1)}$ Logical "1" Input Voltage	MIN	$V_{CC}=5.25V$ (except $CLK_{IN}$ )	<b>2.0</b>			2.0	<b>2.0</b>	V
$V_{IN(0)}$ Logical "0" Input Voltage	MAX	$V_{CC}=4.75V$ (Except $CLK_{IN}$ )	<b>0.8</b>			0.8	<b>0.8</b>	V
$I_{IN}$ Logical "1" Input Current	MAX	$V_{IN}=5.0V$	0.005	<b>1</b>		0.005	<b>1</b>	$\mu A$
$I_{IN}$ Logical "0" Input Current	MAX	$V_{IN}=0V$	-0.005	<b>-1</b>		-0.005	<b>-1</b>	$\mu A$
$V_{T+(MIN)}$ Minimum $CLK_{IN}$ Positive going Threshold Voltage			3.1	<b>2.7</b>		3.1	<b>2.7</b>	V
$V_{T+(MAX)}$ Maximum $CLK_{IN}$ Positive going Threshold Voltage			3.1	<b>3.5</b>		3.1	<b>3.5</b>	V
$V_{T-(MIN)}$ Minimum $CLK_{IN}$ Negative going Threshold Voltage			1.8	<b>1.5</b>		1.8	<b>1.5</b>	V
$V_{T-(MAX)}$ Maximum $CLK_{IN}$ Negative going Threshold Voltage			1.8	<b>2.1</b>		1.8	<b>2.1</b>	V
$V_{H(MIN)}$ Minimum $CLK_{IN}$ Hysteresis ( $V_{T+}-V_{T-}$ )			1.3	<b>0.6</b>		1.3	<b>0.6</b>	V
$V_{H(MAX)}$ Maximum $CLK_{IN}$ Hysteresis ( $V_{T+}-V_{T-}$ )			1.3	<b>2.0</b>		1.3	<b>2.0</b>	V
$V_{OUT(1)}$ Logical "1" Output Voltage	MIN	$V_{CC}=4.75V$ $I_{OUT}=-360 \mu A$ $I_{OUT}=-10 \mu A$		<b>2.4</b> <b>4.5</b>		2.8 4.6	<b>2.4</b> <b>4.5</b>	V V
	MAX	$V_{CC}=4.75V$ $I_{OUT}=1.6$ mA		<b>0.4</b>		0.34	<b>0.4</b>	V
$I_{OUT}$ , TRI-STATE <sup>®</sup> Output		$V_{OUT} = 0V$	-0.01	<b>-3</b>		-0.01	<b>-3</b>	$\mu A$

- (5) For  $V_{IN(-)} \geq V_{IN(+)}$  the digital output code will be 00 0000 0000. Two on-chip diodes are tied to each analog input which will forward conduct for analog input voltages one diode drop below ground or one diode drop greater than  $V_{CC}$  supply. Be careful, during testing at low  $V_{CC}$  levels (4.5V), as high level analog inputs (5V) can cause this input diode to conduct, especially at elevated temperatures, and cause errors for analog inputs near full-scale. The spec allows 50 mV forward bias of either diode. This means that as long as the analog  $V_{IN}$  does not exceed the supply voltage by more than 50 mV, the output code will be correct. To achieve an absolute 0  $V_{DC}$  to 5  $V_{DC}$  input voltage range will therefore require a minimum supply voltage of 4.950  $V_{DC}$  over temperature variations, initial tolerance and loading.

### Electrical Characteristics (continued)

The following specifications apply for  $V_{CC} = 5V$ ,  $V_{REF} = 5V$ ,  $f_{CLK} = 1.8$  MHz unless otherwise specified. **Boldface limits apply from  $T_{MIN}$  to  $T_{MAX}$** ; All other limits  $T_A = T_j = 25^\circ C$ .

Parameter	Conditions	ADC1005BCJ			ADC1005BCJ-1, ADC1005CCJ-1			Limit Units
		Typ <sup>(1)</sup>	Tested Limit <sup>(2)</sup>	Design Limit <sup>(3)</sup>	Typ <sup>(1)</sup>	Tested Limit <sup>(2)</sup>	Design Limit <sup>(3)</sup>	
Current MAX	$V_{OUT} = 5V$	0.01	<b>3</b>		0.01	0.3	<b>3</b>	$\mu A$
$I_{SOURCE}$ , Output Source Current MIN	$V_{OUT} = 0V$	-14	<b>-6.5</b>		-14	-7.5	<b>-6.5</b>	mA
$I_{SINK}$ , Output Sink Current MIN	$V_{OUT} = 5V$	16	<b>8.0</b>		16	9.0	<b>8.0</b>	mA
$I_{CC}$ , Supply Current MAX	$f_{CLK} = 1.8$ MHz $\overline{CS} = "1"$	1.5	<b>3</b>		1.5	2.5	<b>3</b>	mA

### AC Electrical Characteristics

The following specifications apply for  $V_{CC} = 5V$ ,  $V_{REF} = 5V$ ,  $t_r = t_f = 20$  ns unless otherwise specified. **Boldface limits apply from  $T_{MIN}$  to  $T_{MAX}$** ; All other limits  $T_A = T_j = 25^\circ C$ .

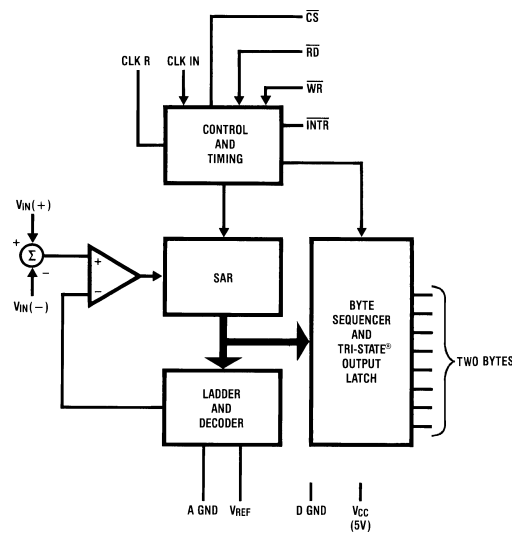
Parameter	Conditions	Typ <sup>(1)</sup>	Tested Limit <sup>(2)</sup>	Design Limit <sup>(3)</sup>	Limit Units
$f_{CLK}$ , Clock Frequency MIN			0.2	0.2	MHz
			2.6	2.6	MHz
Clock Duty Cycle MIN			40	40	%
			60	60	%
$t_C$ , Conversion Time MIN			80	80	$1/f_{CLK}$
			90	90	$1/f_{CLK}$
	$f_{CLK} = 1.8$ MHz		45	45	$\mu s$
	$f_{CLK} = 1.8$ MHz		50	50	$\mu s$
$t_{W(WR)L}$ , Minimum $\overline{WR}$ Pulse Width	$\overline{CS} = 0$	100	150	150	ns
$t_{ACC}$ , Access Time (Delay from falling edge of $\overline{RD}$ to Output Data Valid)	$\overline{CS} = 0$ $C_L = 100$ pF, $R_L = 2k$	170	300	300	ns
$t_{1H}$ , $t_{0H}$ , TRI-STATE Control (Delay from Rising Edge of $\overline{RD}$ to Hi-Z State)	$R_L = 10k$ , $C_L = 10$ pF	125		200	ns
	$R_L = 2k$ , $C_L = 100$ pF	145	230	230	ns
$t_{WL}$ , $t_{RI}$ , Delay from Falling Edge of $\overline{WR}$ or $\overline{RD}$ to Reset of $\overline{INTR}$		300	450	450	ns
$t_{IRS}$ , $\overline{INTR}$ to 1st Read Set-up Time		400	550	550	ns
$C_{IN}$ , Capacitance of Logic Inputs		5		7.5	pF
$C_{OUT}$ , Capacitance of Logic Outputs		5		7.5	pF

(1) Typicals are at  $25^\circ C$  and represent most likely parametric norm.

(2) Tested and guaranteed to TI's AOQL (Average Outgoing Quality Level).

(3) Guaranteed, but not 100% production tested. These limits are not used to calculate outgoing quality levels.

**Functional Diagram**



### Typical Performance Characteristics

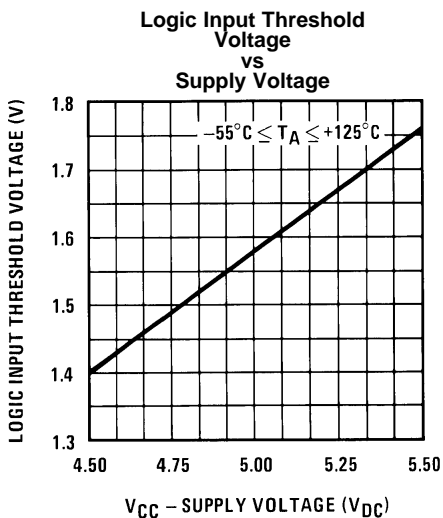


Figure 2.

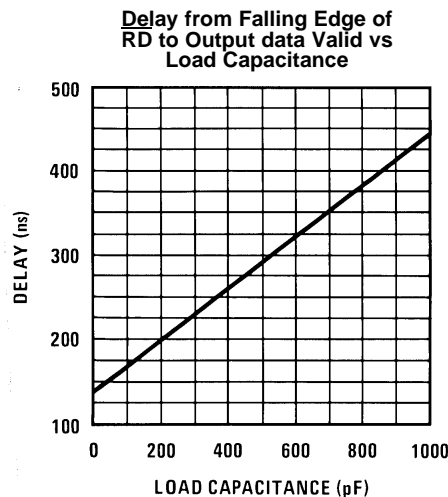


Figure 3.

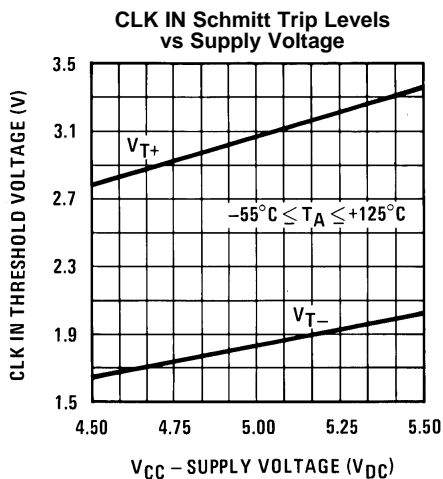


Figure 4.

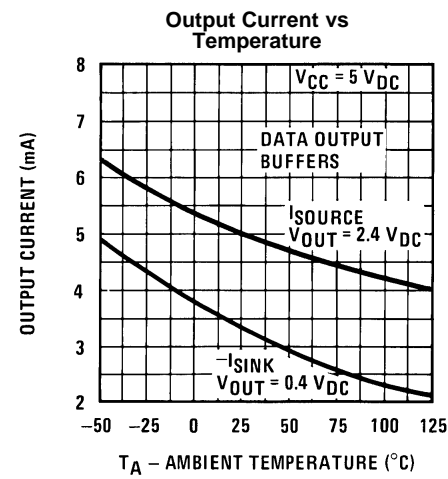


Figure 5.

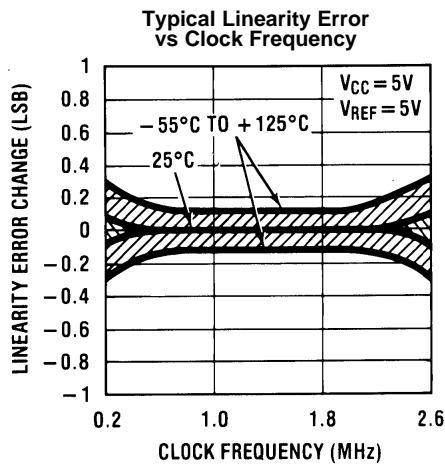


Figure 6.

TEST CIRCUIT DIAGRAMS

Timing Diagrams

Figure 7. Start Conversion

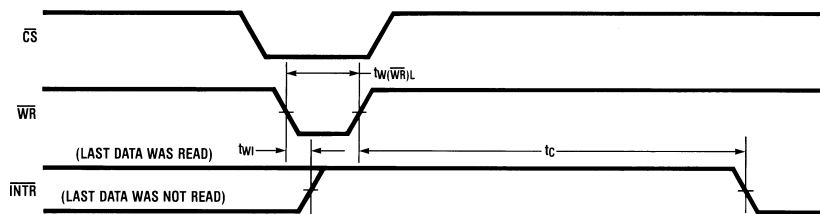
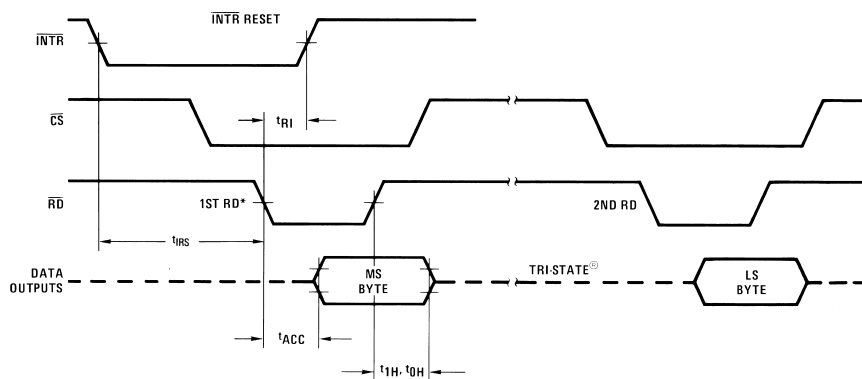


Figure 8. Output Enable and Reset  $\overline{INTR}$

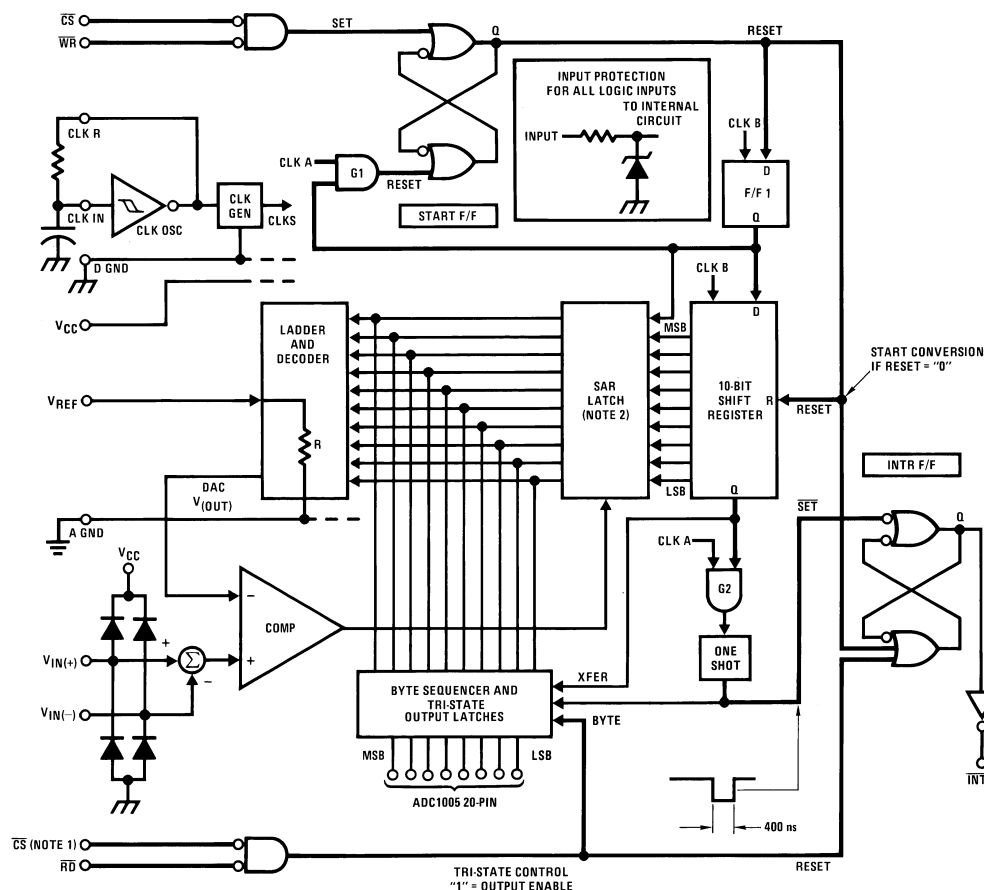


Note: All timing is measured from the 50% voltage points.

Table 1. Byte Sequencing for ADC1005

Byte Order	8-Bit Data Bus Connection							
	DB7	DB6	DB5	DB4	DB3	DB2	DB1	DB0
1st	MSB Bit 9	Bit 8	Bit 7	Bit 6	Bit 5	Bit 4	Bit 3	Bit 2
2nd	Bit 1	LSB Bit 0	0	0	0	0	0	0

## Block Diagram



- (1)  $\overline{CS}$  shown twice for clarity.  
 (2) SAR=Successive Approximation Register.

## Functional Description

### GENERAL OPERATION

A block diagram of the A/D converter is shown in [Block Diagram](#). All of the inputs and outputs are shown and the major logic control paths are drawn in heavier weight lines.

### Converter Operation

The ADC1005 uses an advanced potentiometric resistive ladder network. The analog inputs, as well as the taps of this ladder network are switched into a weighted capacitor array. The output of this capacitor array is the input to a sampled data comparator. This comparator allows the successive approximation logic to match the analog input voltage  $[V_{IN(+)} - V_{IN(-)}]$  to taps on the R network. The most significant bit is tested first and after 10 comparisons (80 clock cycles) a digital 10-bit binary code (all "1"s = full-scale) is transferred to an output latch.



### Starting a Conversion

The conversion is initialized by taking  $\overline{CS}$  and  $\overline{WR}$  simultaneously low. This sets the start flip-flop (F/F) and the resulting “1” level resets the 10-bit shift register, resets the interrupt (INTR) F/F and inputs a “1” to the D flop, F/F1, which is at the input end of the 10-bit shift register. Internal clock signals then transfer this “1” to the Q output of F/F1. The AND gate, G1, combines this “1” output with a clock signal to provide a reset signal to the start F/F. If the set signal is no longer present (either  $\overline{WR}$  or  $\overline{CS}$  is a “1”) the start F/F is reset and the 10-bit shift register then can have the “1” clocked in, allowing the conversion process to continue. If the set signal were still present, this reset pulse would have no effect and the 10-bit shift register would continue to be held in the reset mode. This logic therefore allows for wide  $\overline{CS}$  and  $\overline{WR}$  signals. The converter will start after at least one of these signals returns high and the internal clocks again provide a reset signal for the start F/F.

To summarize, on the high-to-low transition of the  $\overline{WR}$  input the internal SAR latches and the shift register stages are reset. As long as the  $\overline{CS}$  input and  $\overline{WR}$  input remain low, the A/D will remain in a reset state. *Conversion will start after at least one of these inputs makes a low-to-high transition.*

### Output Control

After the “1” is clocked through the 10-bit shift register (which completes the SAR search) it causes the new digital word to transfer to the TRI-STATE output latches. When the XFER signal makes a high-to-low transition the one shot fires, setting the INTR F/F. An inverting buffer then supplies the  $\overline{INTR}$  output signal.

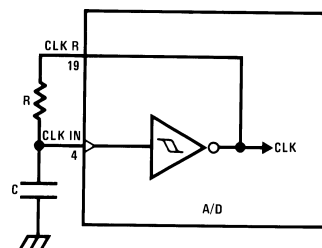
Note that this  $\overline{SET}$  control of the INTR F/F remains low for approximately 400 ns. If the data output is continuously enabled ( $\overline{CS}$  and  $\overline{RD}$  both held low) the INTR output will still signal the end of the conversion (by a high-to-low transition). This is because the  $\overline{SET}$  input can control the Q output of the INTR F/F even though the RESET input is constantly at a “1” level. This INTR output will therefore stay low for the duration of the  $\overline{SET}$  signal.

When data is to be read, the combination of both  $\overline{CS}$  and  $\overline{RD}$  being low will cause the INTR F/F to be reset and the TRI-STATE output latches will be enabled.

### Free-Running and Self-Clocking Modes

For operation in the free-running mode an initializing pulse should be used, following power-up, to ensure circuit operation. In this application, the  $\overline{CS}$  input is grounded and the  $\overline{WR}$  input is tied to the INTR output. This  $\overline{WR}$  and INTR node should be momentarily forced to logic low following a power-up cycle to ensure start up.

The clock for the A/D can be derived from the CPU clock or an external RC can be added to provide self-clocking. The CLK IN makes use of a Schmitt trigger as shown in Figure 9.



$$f_{\text{CLK}} \approx \frac{1}{1.1 RC}$$

Figure 9. Self-Clocking the A/D

### REFERENCE VOLTAGE

The voltage applied to the reference input of these converters defines the voltage span of the analog input (the difference between  $V_{\text{IN(MAX)}}$  and  $V_{\text{IN(MIN)}}$ ) over which the 1024 possible output codes apply. The devices can be used in either ratiometric applications or in systems requiring absolute accuracy. The reference pin must be connected to a voltage source capable of driving the reference input resistance of typically 4.8 k $\Omega$ . This pin is the top of a resistor divider string used for the successive approximation conversion.

In a ratiometric system (Figure 10) the analog input voltage is proportional to the voltage used for the A/D reference. This voltage is typically the system power supply, so the  $V_{REF}$  pin can be tied to  $V_{CC}$ . This technique relaxes the stability requirements of the system references as the analog input and A/D reference move together maintaining the same output code for a given input condition.

For absolute accuracy (Figure 11), where the analog input varies between very specific voltage limits, the reference pin can be biased with a time and temperature stable voltage source. The LM385 and LM336 reference diodes are good low current devices to use with these converters.

The maximum value of the reference is limited to the  $V_{CC}$  supply voltage. The minimum value, however, can be small to allow direct conversions of transducer outputs providing less than a 5V output span. Particular care must be taken with regard to noise pickup, circuit layout, and system error voltage sources when operating with a reduced span due to the increased sensitivity of the converter ( $1 \text{ LSB equals } V_{REF}/1024$ ).

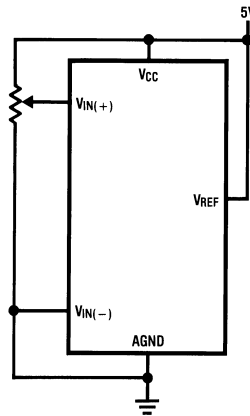


Figure 10. Ratiometric

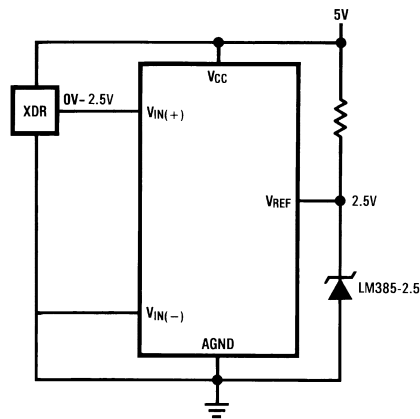


Figure 11. Absolute with a Reduced Span

## THE ANALOG INPUTS

### **Analog Differential Voltage Inputs and Common-Mode Rejection**

The differential inputs of these converters reduce the effects of common-mode input noise, which is defined as noise common to both selected “+” and “-” inputs (60 Hz is most typical). The time interval between sampling the “+” input and the “-” input is half of an internal clock period. The change in the common-mode voltage during this short time interval can cause conversion errors. For a sinusoidal common-mode signal, this error is:

$$V_{\text{ERROR(MAX)}} = V_{\text{PEAK}} (2\pi f_{\text{CM}}) \times \frac{4}{f_{\text{CLK}}} \quad (1)$$

where  $f_{\text{CM}}$  is the frequency of the common-mode signal,  $V_{\text{PEAK}}$  is its peak voltage value and  $f_{\text{CLK}}$  is the clock frequency at the CLK IN pin.

For a 60 Hz common-mode signal to generate a ¼ LSB error (1.2 mV) with the converter running at 1.8 MHz, its peak value would have to be 1.46V. A common-mode signal this large is much greater than that generally found in data acquisition systems.

### **Input Current**

Due to the sampling nature of the analog inputs, short duration spikes of current enter the “+” input and exit the “-” input at the clock rising edges during the conversion. These currents decay rapidly and do not cause errors as the internal comparator is strobed at the end of a clock period.

### **Input Bypass Capacitors**

Bypass capacitors at the inputs will average the current spikes noted in 3.2 and cause a DC current to flow through the output resistances of the analog signal sources. This charge pumping action is worse for continuous conversions with the  $V_{\text{IN}(+)}$  input voltage at full scale. For continuous conversions with a 1.8 MHz clock frequency with the  $V_{\text{IN}(+)}$  input at 5V, this DC current is at a maximum of approximately 5  $\mu\text{A}$ . Therefore, *bypass capacitors should not be used at the analog inputs or the  $V_{\text{REF}}$  pin* for high resistance sources (>1 k $\Omega$ ). If input bypass capacitors are necessary for noise filtering and high source resistance is desirable to minimize capacitor size, the detrimental effects of the voltage drop across this input resistance, which is due to the average value of the input current, can be eliminated with a full-scale adjustment while the given source resistor and input bypass capacitor are both in place. This is possible because the average value of the input current is a linear function of the differential input voltage.

### **Input Source Resistance**

Large values of source resistance where an input bypass capacitor is not used, *will not cause errors* if the input currents settle out prior to the comparison time. If a low pass filter is required in the system, use a low valued series resistor ( $\leq 1$  k $\Omega$ ) for a passive RC section or add an op amp RC active low pass filter. For low source resistance applications ( $\leq 0.1$  k $\Omega$ ) a 4700 pF bypass capacitor at the inputs will prevent pickup due to series lead induction of a long wire. A 100 $\Omega$  series resistor can be used to isolate this capacitor – both the R and the C are placed outside the feedback loop – from the output of an op amp, if used.

### **Noise**

The leads to the analog inputs (pins 6 and 7) should be kept as short as possible to minimize input noise coupling. Both noise and undesired digital clock coupling to these inputs can cause system errors. The source resistance for these inputs should, in general, be kept below 1 k $\Omega$ . Larger values of source resistance can cause undesired system noise pickup. Input bypass capacitors, placed from the analog inputs to ground, can reduce system noise pickup but can create analog scale errors. See [Input Current](#), [Input Bypass Capacitors](#), and [Input Source Resistance](#) if input filtering is to be used.

## OFFSET AND REFERENCE ADJUSTMENT

### Zero Offset

The zero error of the A/D converter relates to the location of the first riser of the transfer function and can be measured by grounding the  $V(-)$  input and applying a small magnitude positive voltage to the  $V(+)$  input. Zero error is the difference between the actual DC input voltage that is necessary to just cause an output digital code transition from 00 0000 0000 to 00 0000 0001 and the ideal  $\frac{1}{2}$  LSB value ( $\frac{1}{2}$  LSB = 2.45 mV for  $V_{REF} = 5.0 V_{DC}$ ).

The zero of the A/D normally does not require adjustment. However, for cases where  $V_{IN(MIN)}$  is not ground and in reduced span applications ( $V_{REF} < 5V$ ), an offset adjustment may be desired. The converter can be made to output an all zero digital code for an arbitrary input by biasing the A/D's  $V_{IN}(-)$  input at that voltage. This utilizes the differential input operation of the A/D.

### Full Scale

The full-scale adjustment can be made by applying a differential input voltage that is  $1\frac{1}{2}$  LSB down from the desired analog full-scale voltage range and then adjusting the magnitude of the  $V_{REF}$  input for a digital output code that is just changing from 11 1111 1110 to 11 1111 1111.

### Adjusting for an Arbitrary Analog Input Voltage Range

If the analog zero voltage of the A/D is shifted away from ground (for example, to accommodate an analog input signal that does not go to ground), this new zero reference should be properly adjusted first. A  $V_{IN}(+)$  voltage that equals this desired zero reference plus  $\frac{1}{2}$  LSB (where the LSB is calculated for the desired analog span,  $1 \text{ LSB} = \text{analog span}/1024$ ) is applied to selected “+” input and the zero reference voltage at the corresponding “-” input should then be adjusted to just obtain the 000<sub>HEX</sub> 001<sub>HEX</sub> code transition.

The full-scale adjustment should be made [with the proper  $V_{IN}(-)$  voltage applied] by forcing a voltage to the  $V_{IN}(+)$  input given by:

$$V_{IN(+)} \text{ FS adj} = V_{MAX} - 1.5 \left[ \frac{(V_{MAX} - V_{MIN})}{1024} \right] \quad (2)$$

where  $V_{MAX}$  = the high end of the analog input range and  $V_{MIN}$  = the low end (the offset zero) of the analog range. (Both are ground referenced).

The  $V_{REF}$  (or  $V_{CC}$ ) voltage is then adjusted to provide a code change from 3FF<sub>HEX</sub> to 3FE<sub>HEX</sub>. This completes the adjustment procedure.

For an example see [Figure 12](#) below.

## POWER SUPPLIES

Noise spikes on the  $V_{CC}$  supply line can cause conversion errors as the comparator will respond to this noise. A low inductance tantalum filter capacitor should be used close to the converter  $V_{CC}$  pin and values of 1  $\mu$ F or greater are recommended. If an unregulated voltage is available in the system, a separate LM340LAZ-5.0, TO-92, 5V voltage regulator for the converter (and the other analog circuitry) will greatly reduce digital noise on the  $V_{CC}$  supply.

A single point analog ground that is separate from the logic ground points should be used. The power supply bypass capacitor and the self-clocking capacitor (if used) should both be returned to the digital ground. Any  $V_{REF}$  bypass capacitors, analog input filters capacitors, or input signal shielding should be returned to the analog ground point .

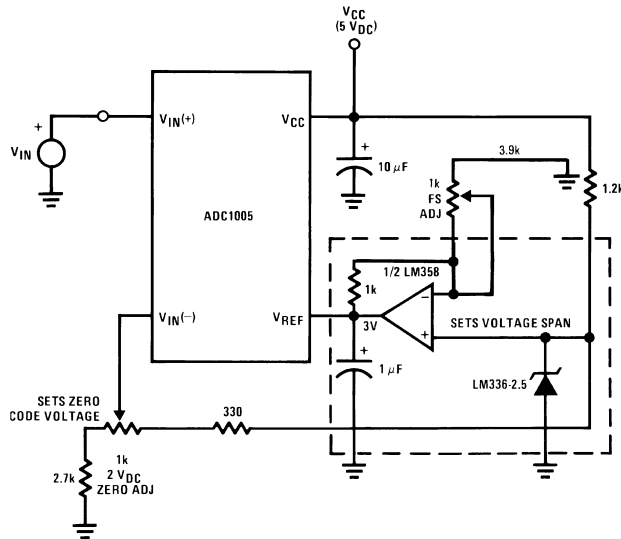
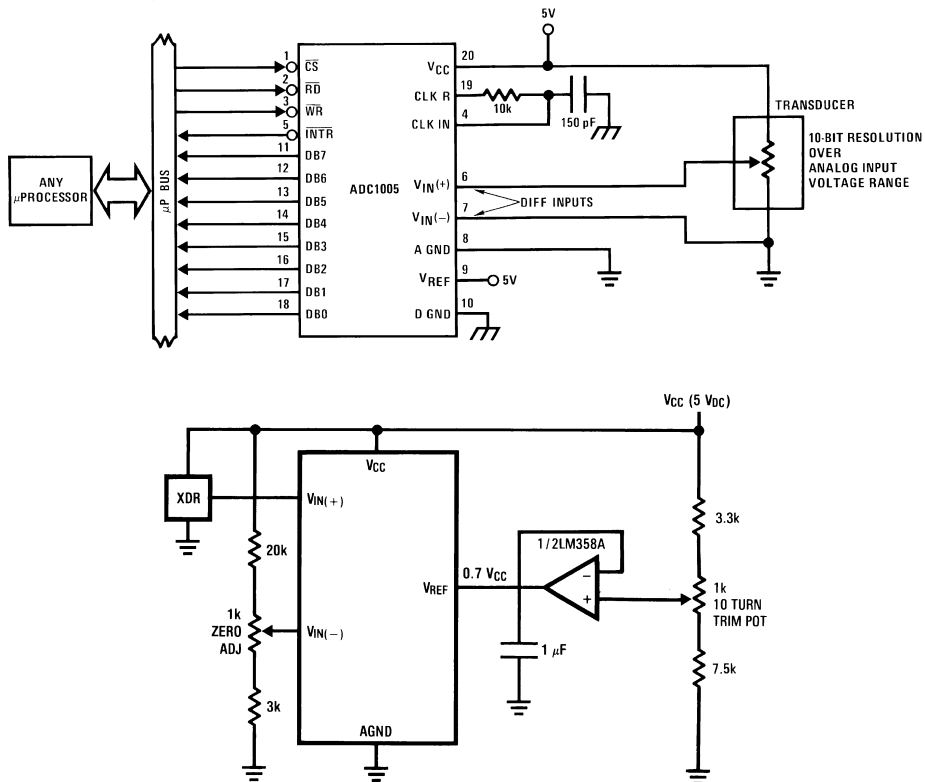


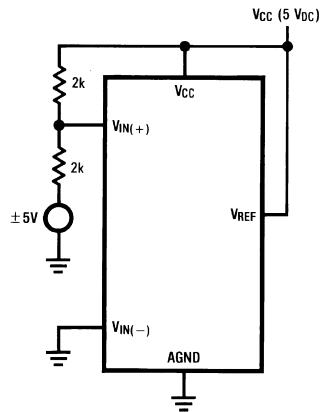
Figure 12. Zero-Shift and Span-Adjust ( $2V \leq V_{IN} \leq 5V$ )

Typical Applications

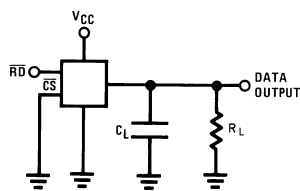
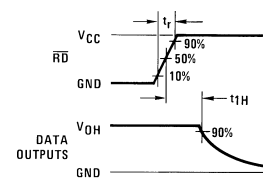
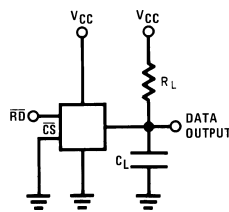
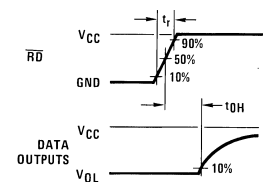


$V_{IN(-)} = 0.15 V_{CC}$   
 $15\% \text{ of } V_{CC} \leq V_{XDR} \leq 85\% \text{ of } V_{CC}$

Figure 13. Operating with Ratiometric Transducers

Figure 14. Handling  $\pm 5V$  Analog Inputs

### TRI-STATE Test Circuits and Waveforms

Figure 15.  $t_{1H}$  $t_r = 20 \text{ ns}$ Figure 16.  $t_{1H}$ ,  $C_L = 10 \text{ pF}$ Figure 17.  $t_{0H}$  $t_r = 20 \text{ ns}$ Figure 18.  $t_{0H}$ ,  $C_L = 10 \text{ pF}$

---

**REVISION HISTORY**

<b>Changes from Revision E (April 2013) to Revision F</b>	<b>Page</b>
<hr/> <ul style="list-style-type: none"><li>• Changed layout of National Data Sheet to TI format .....</li></ul>	<hr/> <a href="#">12</a>

## IMPORTANT NOTICE

Texas Instruments Incorporated and its subsidiaries (TI) reserve the right to make corrections, enhancements, improvements and other changes to its semiconductor products and services per JESD46, latest issue, and to discontinue any product or service per JESD48, latest issue. Buyers should obtain the latest relevant information before placing orders and should verify that such information is current and complete. All semiconductor products (also referred to herein as "components") are sold subject to TI's terms and conditions of sale supplied at the time of order acknowledgment.

TI warrants performance of its components to the specifications applicable at the time of sale, in accordance with the warranty in TI's terms and conditions of sale of semiconductor products. Testing and other quality control techniques are used to the extent TI deems necessary to support this warranty. Except where mandated by applicable law, testing of all parameters of each component is not necessarily performed.

TI assumes no liability for applications assistance or the design of Buyers' products. Buyers are responsible for their products and applications using TI components. To minimize the risks associated with Buyers' products and applications, Buyers should provide adequate design and operating safeguards.

TI does not warrant or represent that any license, either express or implied, is granted under any patent right, copyright, mask work right, or other intellectual property right relating to any combination, machine, or process in which TI components or services are used. Information published by TI regarding third-party products or services does not constitute a license to use such products or services or a warranty or endorsement thereof. Use of such information may require a license from a third party under the patents or other intellectual property of the third party, or a license from TI under the patents or other intellectual property of TI.

Reproduction of significant portions of TI information in TI data books or data sheets is permissible only if reproduction is without alteration and is accompanied by all associated warranties, conditions, limitations, and notices. TI is not responsible or liable for such altered documentation. Information of third parties may be subject to additional restrictions.

Resale of TI components or services with statements different from or beyond the parameters stated by TI for that component or service voids all express and any implied warranties for the associated TI component or service and is an unfair and deceptive business practice. TI is not responsible or liable for any such statements.

Buyer acknowledges and agrees that it is solely responsible for compliance with all legal, regulatory and safety-related requirements concerning its products, and any use of TI components in its applications, notwithstanding any applications-related information or support that may be provided by TI. Buyer represents and agrees that it has all the necessary expertise to create and implement safeguards which anticipate dangerous consequences of failures, monitor failures and their consequences, lessen the likelihood of failures that might cause harm and take appropriate remedial actions. Buyer will fully indemnify TI and its representatives against any damages arising out of the use of any TI components in safety-critical applications.

In some cases, TI components may be promoted specifically to facilitate safety-related applications. With such components, TI's goal is to help enable customers to design and create their own end-product solutions that meet applicable functional safety standards and requirements. Nonetheless, such components are subject to these terms.

No TI components are authorized for use in FDA Class III (or similar life-critical medical equipment) unless authorized officers of the parties have executed a special agreement specifically governing such use.

Only those TI components which TI has specifically designated as military grade or "enhanced plastic" are designed and intended for use in military/aerospace applications or environments. Buyer acknowledges and agrees that any military or aerospace use of TI components which have **not** been so designated is solely at the Buyer's risk, and that Buyer is solely responsible for compliance with all legal and regulatory requirements in connection with such use.

TI has specifically designated certain components as meeting ISO/TS16949 requirements, mainly for automotive use. In any case of use of non-designated products, TI will not be responsible for any failure to meet ISO/TS16949.

### Products

Audio	<a href="http://www.ti.com/audio">www.ti.com/audio</a>
Amplifiers	<a href="http://amplifier.ti.com">amplifier.ti.com</a>
Data Converters	<a href="http://dataconverter.ti.com">dataconverter.ti.com</a>
DLP® Products	<a href="http://www.dlp.com">www.dlp.com</a>
DSP	<a href="http://dsp.ti.com">dsp.ti.com</a>
Clocks and Timers	<a href="http://www.ti.com/clocks">www.ti.com/clocks</a>
Interface	<a href="http://interface.ti.com">interface.ti.com</a>
Logic	<a href="http://logic.ti.com">logic.ti.com</a>
Power Mgmt	<a href="http://power.ti.com">power.ti.com</a>
Microcontrollers	<a href="http://microcontroller.ti.com">microcontroller.ti.com</a>
RFID	<a href="http://www.ti-rfid.com">www.ti-rfid.com</a>
OMAP Applications Processors	<a href="http://www.ti.com/omap">www.ti.com/omap</a>
Wireless Connectivity	<a href="http://www.ti.com/wirelessconnectivity">www.ti.com/wirelessconnectivity</a>

### Applications

Automotive and Transportation	<a href="http://www.ti.com/automotive">www.ti.com/automotive</a>
Communications and Telecom	<a href="http://www.ti.com/communications">www.ti.com/communications</a>
Computers and Peripherals	<a href="http://www.ti.com/computers">www.ti.com/computers</a>
Consumer Electronics	<a href="http://www.ti.com/consumer-apps">www.ti.com/consumer-apps</a>
Energy and Lighting	<a href="http://www.ti.com/energy">www.ti.com/energy</a>
Industrial	<a href="http://www.ti.com/industrial">www.ti.com/industrial</a>
Medical	<a href="http://www.ti.com/medical">www.ti.com/medical</a>
Security	<a href="http://www.ti.com/security">www.ti.com/security</a>
Space, Avionics and Defense	<a href="http://www.ti.com/space-avionics-defense">www.ti.com/space-avionics-defense</a>
Video and Imaging	<a href="http://www.ti.com/video">www.ti.com/video</a>

### TI E2E Community

[e2e.ti.com](http://e2e.ti.com)