

# CLC005

*CLC005 ITU-T G.703 Cable Driver with Adjustable Outputs*



Literature Number: SNLS031A

# CLC005

## ITU-T G.703 Cable Driver with Adjustable Outputs

### General Description

National's Comlinear CLC005 is a monolithic, high-speed cable driver designed for the ITU-T G.703 serial digital data transmission standard. The CLC005 drives 75Ω transmission lines (Belden 8281 or equivalent) at data rates from DC to over 622 Mbps. Output signal waveforms produced by the CLC005 comply with G.703 specifications. Controlled output rise and fall times (650 ps typical) minimize transition-induced jitter. The output voltage swing, typically 2.0V, set by an accurate, low-drift internal bandgap reference, delivers a 1.0V swing to back-matched and terminated 75Ω cable. Output swing is adjustable from 0.7  $V_{p-p}$  to 2.2  $V_{p-p}$  using external resistors.

The CLC005's class AB output stage consumes less power than other designs, 185 mW with both outputs terminated, and requires no external bias resistors. The differential inputs accept a wide range of digital signals from 200 mV<sub>p-p</sub> to G.703 levels within the specified common-mode limits. All this make the CLC005 an excellent general purpose high speed driver for digital applications.

The CLC005 is powered from a single +5V or -5.2V supply and comes in an 8-pin SOIC package.

### Key Specifications

- 650 ps rise and fall times
- Data rates to 622 Mbps
- 200 mV differential input
- Low residual jitter (25 ps<sub>pp</sub>)

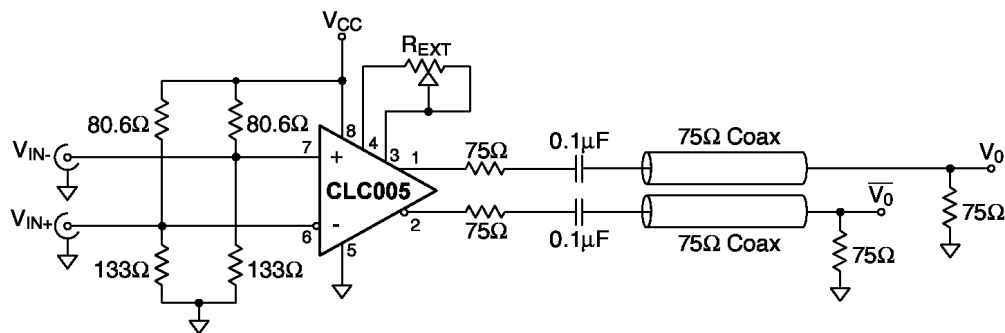
### Features

- No external pull-down resistors
- Adjustable output amplitude
- Differential input and output
- Low power dissipation
- Single +5V or -5.2V supply

### Applications

- ITU-T G.703, Sonet/SDH, and ATM compatible driver
- Digital routers and distribution amplifiers
- Coaxial cable driver for digital transmission line
- Twisted pair driver
- Buffer applications

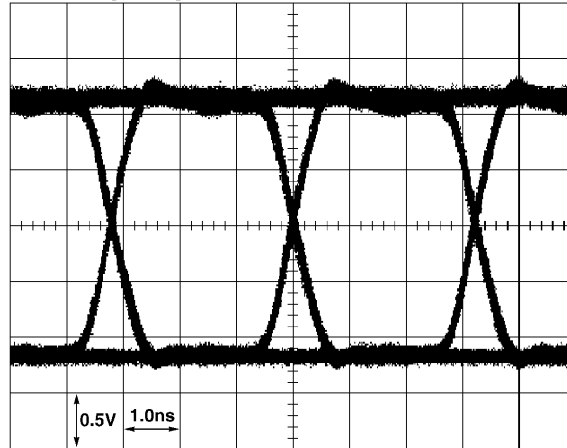
### Typical Application



DS100144-2

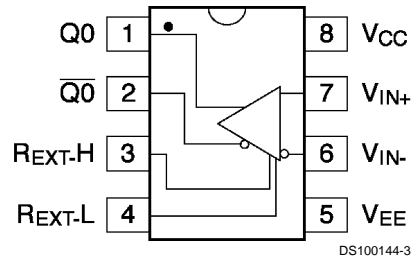
## Typical Performance Characteristic

311 Mbps Eye Pattern



DS100144-1

## Connection Diagram (8-Pin SOIC)



DS100144-3

Order Number CLC005AJE  
See NS Package Number M08A

**Absolute Maximum Ratings** (Note 1)

If Military/Aerospace specified devices are required, please contact the National Semiconductor Sales Office/Distributors for availability and specifications.

Supply Voltage	6V
Output Current	30 mA
Maximum Junction Temperature	+125°C
Storage Temperature Range	-65°C to +150°C
Lead Temperature	
(Soldering 10 seconds)	+300°C
ESD Rating (Human Body Model)	1000V

Package Thermal Resistance	
$\theta_{JA}$ Surface Mount AJE	125°C/W
$\theta_{JC}$ Surface Mount AJE	105°C/W
Reliability Information	
Transistor count	72
MTTF	254 Mhr

**Recommended Operating Conditions**

Supply Voltage Range ( $V_{CC}-V_{EE}$ )	+4.5V to +5.5V
--	----------------

**Electrical Characteristics** ( $V_{CC} = 0V$ ,  $V_{EE} = -5V$ ; unless otherwise specified).

Parameter	Condition	Typ +25°C	Min/Max +25°C	Min/Max 0°C to +70°C	Min/Max -40°C to +85°C	Units
<b>STATIC DC PERFORMANCE</b>						
Supply Current, Loaded	150Ω @ 270 Mbps (Notes 5, 7)	37	-	-	-	mA
Supply Current, Unloaded	(Note 3)	34	28/37	26/39	26/39	mA
Output HIGH Voltage ( $V_{OH}$ )	(Note 3)	-1.7	-2.0/1.4	-2.0/1.4	-2.0/1.4	V
Output LOW Voltage ( $V_{OL}$ )	(Note 3)	-3.7	-4.0/3.4	-4.0/3.4	-4.0/3.4	V
Input Bias Current	(Note 4)	10	30	50	50	μA
Output Swing	$R_{EXT} = \infty$ (Note 3)	2.0	1.86/2.14	1.86/2.14	1.86/2.14	V
Output Swing	$R_{EXT} = 10\text{ k}\Omega$ (Note 5)	1.30	-	-	-	V
Common Mode Input Range Upper Limit		-0.7	-0.8	-0.8	-0.8	V
Common Mode Input Range Lower Limit		-2.6	-2.5	-2.5	-2.5	V
Minimum Differential Input Swing (Note 5)		200	200	200	200	mV
Power Supply Rejection Ratio (Note 3)		26	20	20	20	dB
<b>AC PERFORMANCE</b>						
Output Rise and Fall Time	(Notes 3, 6, 7)	650	425/825	400/850	400/850	ps
Overshoot	(Note 5)	5				%
Propagation Delay	(Note 5)	1.0				ns
Duty Cycle Distortion	(Note 5)	50				ps
Residual Jitter	(Note 5)	25	-	-	-	ps <sub>pp</sub>
<b>MISCELLANEOUS PERFORMANCE</b>						
Input Capacitance	(Note 5)	1.0				pF
Output Resistance	(Note 5)	10				Ω
Output Inductance	(Note 5)	6				nH

**Note 1:** "Absolute Maximum Ratings" are those values beyond which the safety of the device cannot be guaranteed. They are not meant to imply that the devices should be operated at these limits. The table of "Electrical Characteristics" specifies conditions of device operation.

**Note 2:** Min/Max ratings are based on product characterization and simulation. Individual parameters are tested as noted. Outgoing quality levels are determined from tested parameters.

**Note 3:** Spec is 100% tested at +25°C, sample tested at +85°C.

**Note 4:** Spec is 100% tested at +35°C at wafer probe.

**Note 5:** Spec is guaranteed by design.

**Note 6:** Measured between the 20% and 80% levels of the waveform.

**Note 7:** Measured with both outputs driving 150Ω, AC coupled at 270 Mbps.

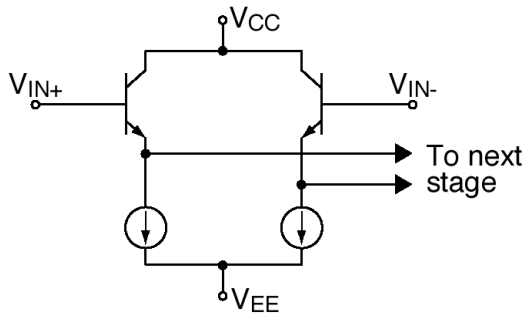
## Operation

### INPUT INTERFACING

The CLC005 has high impedance, emitter-follower buffered, differential inputs. Single-ended signals may also be input. Transmission lines supplying input signals must be properly terminated close to the CLC005. Either A.C. or D.C. coupling as in *Figure 2* or *Figure 3* may be used. *Figures 2, 4* and *Figure 5* show how Thevenin-equivalent resistor networks

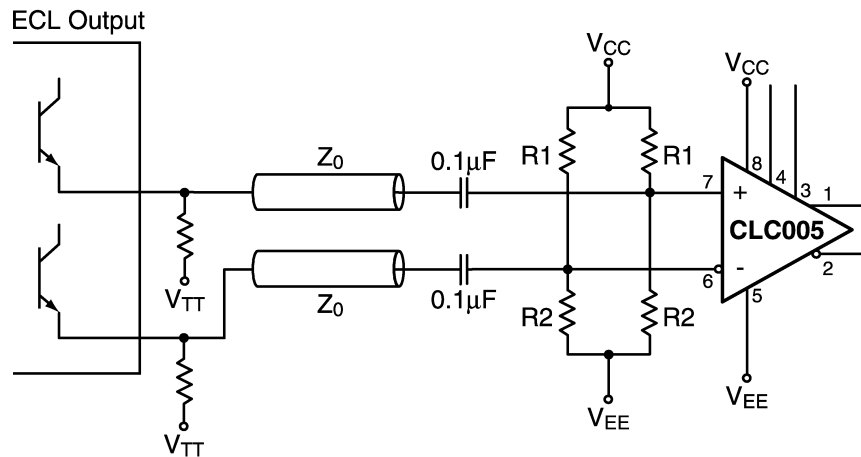
are used to provide input termination and biasing. The input D.C. common-mode voltage range is 0.8V to 2.5V below the positive power supply ( $V_{CC}$ ). Input signals plus bias should be kept within the specified common-mode range. For an 800 mV<sub>P-P</sub> input signal, typical input bias levels range from 1.2V to 2.1V below the positive supply.

Load Type	Resistor to $V_{CC}$ (R1)	Resistor to $V_{EE}$ (R2)
ECL, 50Ω, 5V, $V_T=2V$	82.5Ω	124Ω
ECL, 50Ω, 5.2V, $V_T=2V$	80.6Ω	133Ω
ECL, 75Ω, 5V, $V_T=2V$	124Ω	187Ω
ECL, 75Ω, 5.2V, $V_T=2V$	121Ω	196Ω
800mV <sub>P-P</sub> , 50Ω, 5V, $V_T=1.6V$	75.0Ω	154Ω
800mV <sub>P-P</sub> , 75Ω, 5V, $V_T=1.6V$	110Ω	232Ω
800mV <sub>P-P</sub> , 2.2KΩ, 5V, $V_T=1.6V$	3240Ω	6810Ω



DS100144-4

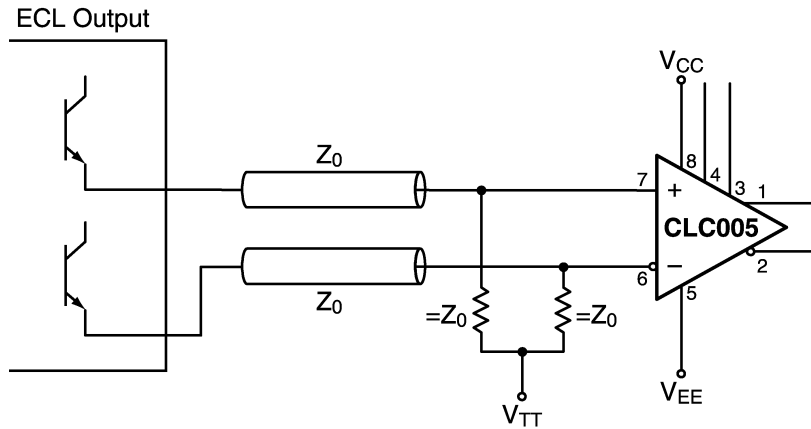
FIGURE 1. Input Stage



DS100144-5

FIGURE 2. AC Coupled Input

Operation (Continued)

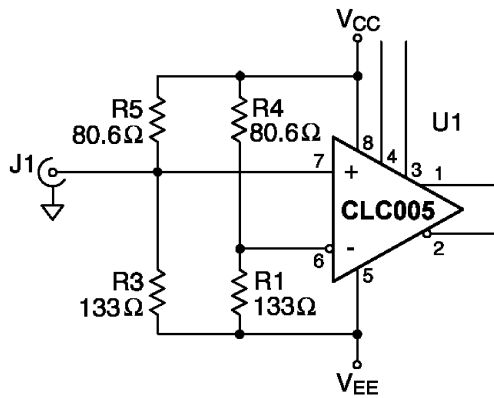


DS100144-6

FIGURE 3. DC Coupled Input

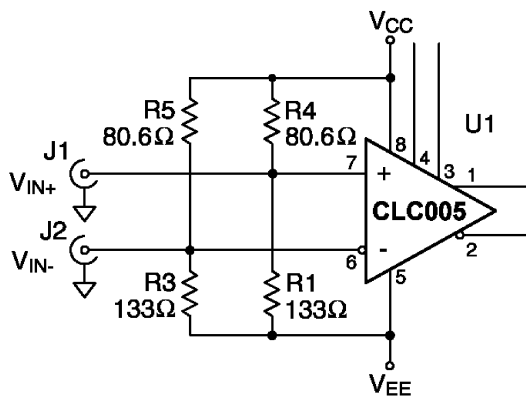
OUTPUT INTERFACING

The CLC005's class AB output stage, *Figure 6*, requires no standing current in the output transistors and therefore requires no biasing or pull-down resistors. Advantages of this arrangement are lower power dissipation and fewer external components. The output may be either D.C. or A.C. coupled to the load. A bandgap voltage reference sets output voltage levels which are compatible with F100K and 10K ECL when correctly terminated. The outputs do not have the same output voltage temperature coefficient as 10K. Therefore, noise margins will be reduced over the full temperature range when driving 10K ECL. Noise margins will not be affected when interfacing to F100K since F100K is fully voltage and temperature compensated.



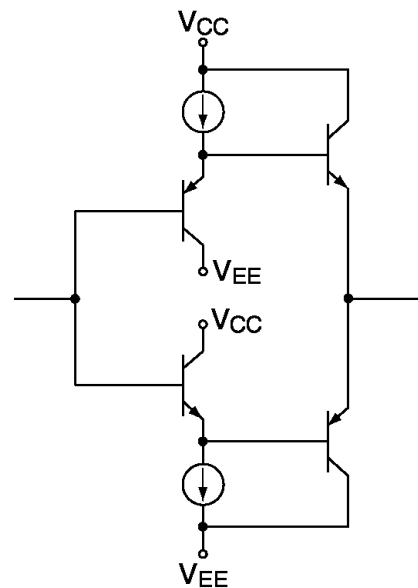
DS100144-7

FIGURE 4. Single Ended 50Ω ECL Input



DS100144-8

FIGURE 5. Differential 50Ω ECL Input



DS100144-9

FIGURE 6. Output Stage

## Operation (Continued)

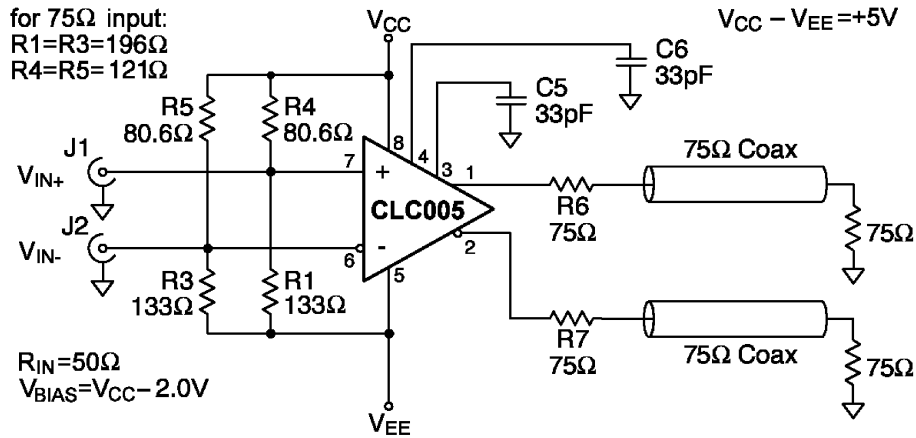


FIGURE 7. Differential Input DC Coupled Output

### OUTPUT AMPLITUDE ADJUSTMENT

The high and low output levels of the CLC005 are set by a circuit shown simplified in Figure 8. Output high and low levels may be set independently with external resistor networks connected between  $R_{EXT-H}$  (pin 3),  $R_{EXT-L}$  (pin 4) and the power supplies. The resistor networks affect the high and low output levels by changing the internally generated bias voltages,  $V_H$  and  $V_L$ . The nominal high and low output levels are  $V_{CC}-1.7V$  and  $V_{CC}-3.7V$ , respectively, when the pins  $R_{EXT-H}$  and  $R_{EXT-L}$  are left unconnected. Though the internal components which determine output voltage levels have accurate ratios, their absolute values may be controlled only within about  $\pm 15\%$  of nominal. Even so, without external adjustment, output voltages are well controlled. A final design should accommodate the variation in externally set output voltages due to the CLC005's part-to-part and external component tolerances.

Output voltage swing may be reduced with the circuit shown in Figure 9. A single resistance chosen with the aid of the graph, Figure 10, is connected between pins 3 and 4. Output voltage swing may be increased with the circuit of Figure 11. Figure 12 is used to estimate a value for resistor R. Note that both of these circuits and the accompanying graphs assume that the CLC005 is loaded with the standard 150Ω. Be aware that output loading will affect the output swing and the high

and low levels. It may be necessary to empirically select resistances used to set output levels when the D.C. loading on the CLC005 differs appreciably from 150Ω.

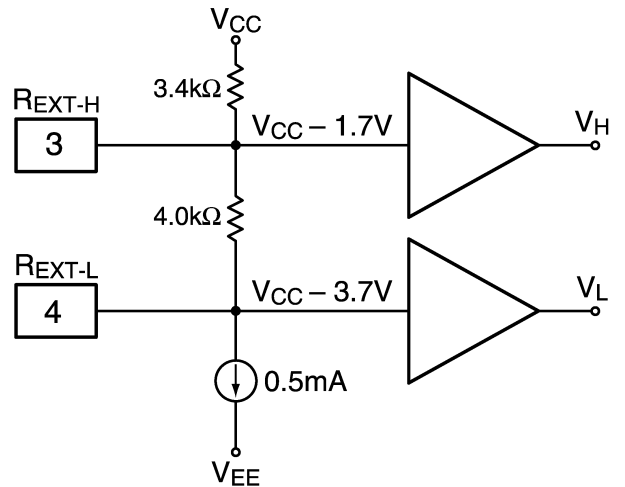
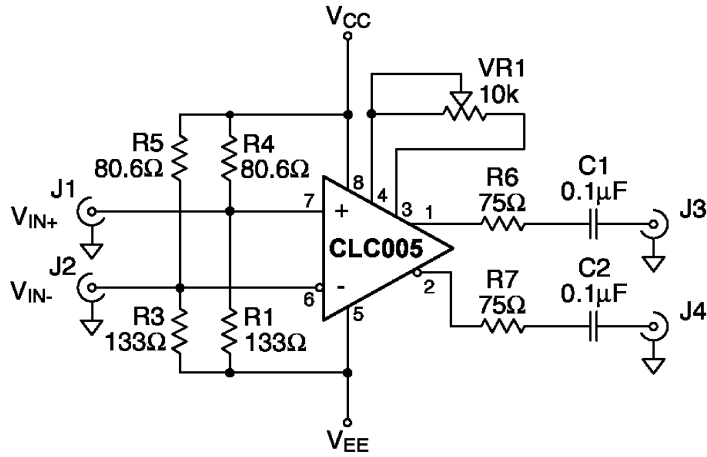


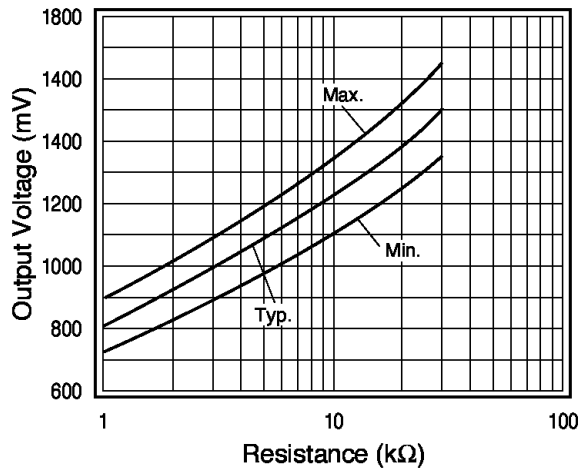
FIGURE 8. Equivalent Bias Generation Circuit

Operation (Continued)



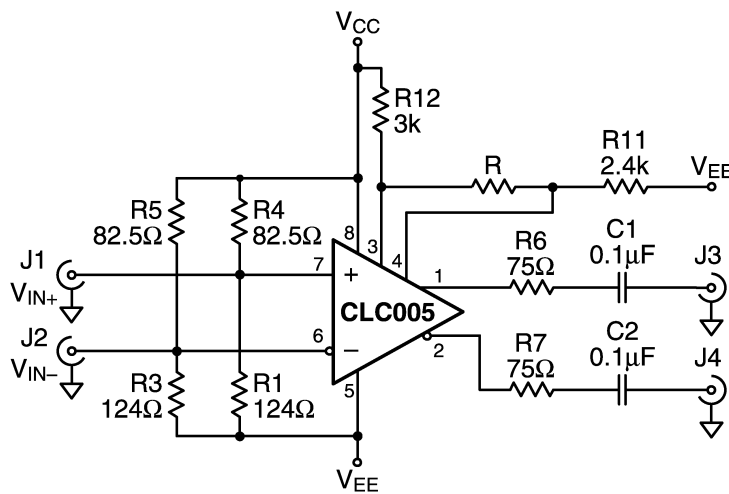
DS100144-12

FIGURE 9. Differential Input Reduced Output



DS100144-13

FIGURE 10. Resistance Pins 3 to 4 vs Output Voltage Reduced Output @ 150Ω Load

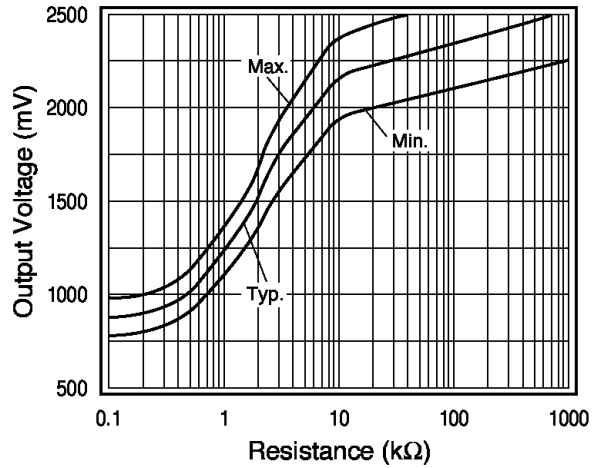


DS100144-14

FIGURE 11. Differential Input Increased Output



## Operation (Continued)

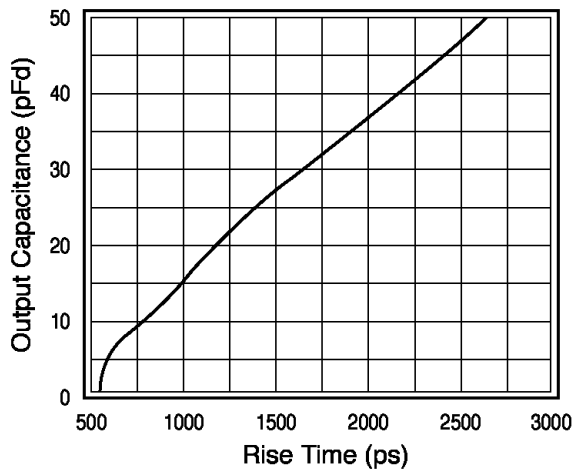


DS100144-15

**FIGURE 12. Resistance Pins 3 to 4 vs Output Voltage  
Increased Output @ 150Ω Load**

### OUTPUT RISE AND FALL TIMES

Output load capacitance can significantly affect output rise and fall times. The effect of load capacitance, stray or otherwise, may be reduced by placing the output back-match resistor close to the output pin and by minimizing all interconnecting trace lengths. *Figure 13* shows the effect on risetime of parallel load capacitance across a 150Ω load.



DS100144-16

**FIGURE 13. Rise Time vs  $C_L$**

## PCB Layout Recommendations

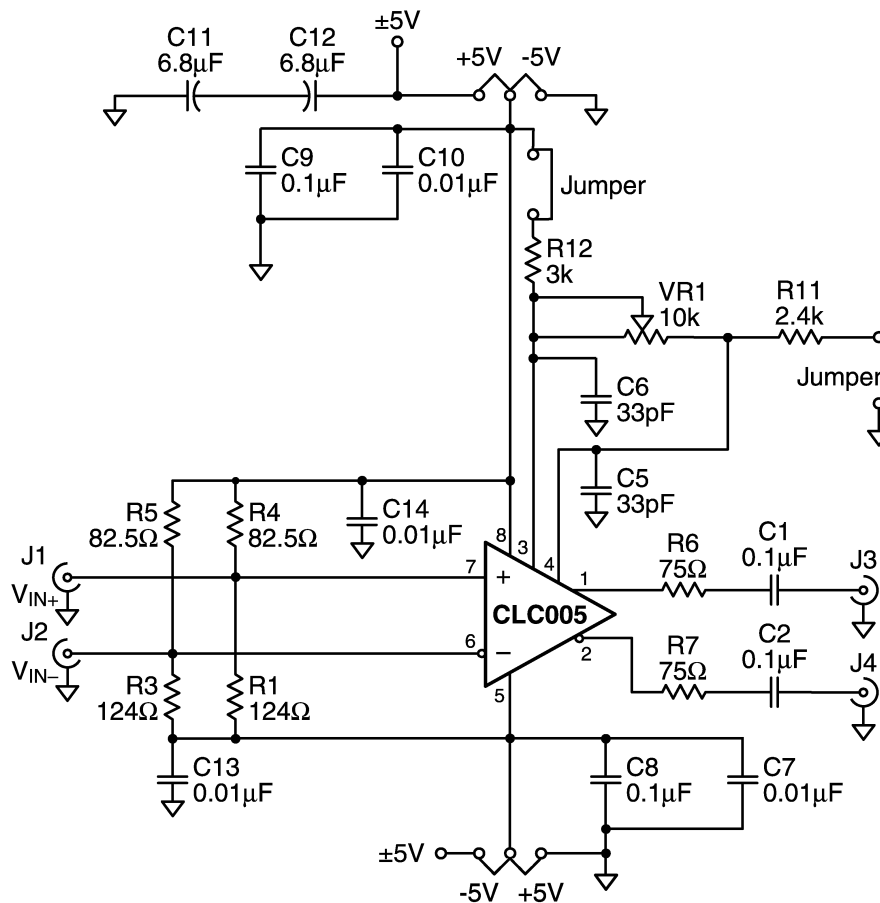
Printed circuit board layout affects the performance of the CLC005. The following guidelines will aid in achieving satisfactory device performance.

- Use a ground plane or power/ground plane sandwich design for optimum performance.
- Bypass device power with a 0.01  $\mu\text{F}$  monolithic ceramic capacitor in parallel with a 6.8  $\mu\text{F}$  tantalum electrolytic capacitor located no more than 0.1' (2.5 mm) from the device power pins.
- Provide short, symmetrical ground return paths for:
  - inputs,
  - supply bypass capacitors and
  - the output load.
- Provide short, grounded guard traces located
  - under the centerline of the package,
  - 0.1' (2.5 mm) from the package pins
  - on both top and bottom of the board with connecting vias.

## EVALUATION BOARD

A schematic, parts list and layout for a suitable evaluation board are given on the following page. The artwork includes trace, silk screen and ground layers. The individual printed circuit board is available unassembled from National Semiconductor. **To order this evaluation board, part number CLC730056, contact your local sales representative or the National Semiconductor Customer Response Center in your area.** (This evaluation board is identical to that for the CLC007 for which some of the listed parts are not required.)

The evaluation board is a guide to proper circuit layout and makes prototyping and measurement-taking easy. Since the board is designed to accommodate many of the application circuits possible with the CLC005, your particular application may not require all of the listed parts or may require different values. The evaluation board may be powered from standard ECL supply voltages by installing the two jumpers in the locations labeled "-5". For PECL supply voltages, install the jumpers in the locations labeled "+5".



DS100144-17

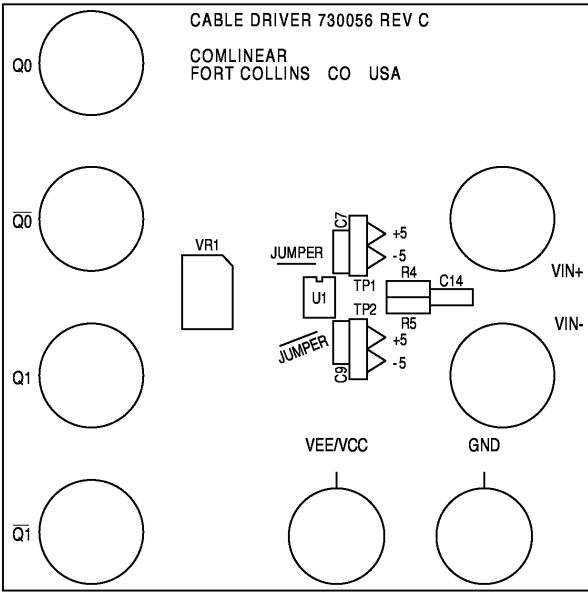
CLC005 Evaluation Board Schematic

**PCB Layout Recommendations** (Continued)

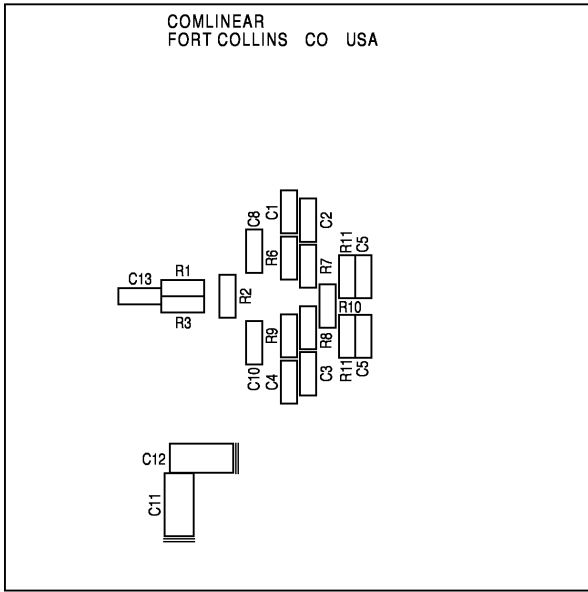
Item	Reference Designator	Part Description	Qty
1	C1, C2, C8, C9	0.1 $\mu$ F SMD Capacitor, Size 1206	4
2	C5, C60	33 pF SMD Capacitor, Size 1206	2
3	C7, C10, C13, C14	0.01 $\mu$ F SMD Tantalum Capacitor, Size 12062	4
4	C11, C12	6.8 $\mu$ F SMD Tantalum Capacitor, Size 6032	2
5	J1, J2	BNC PC Amphenol #31-5329-52RFX	2
6	J3, J4	BNC PC Amphenol #31-5329-72RFX	2
7	R3, R1	124 $\Omega$ SMD Resistor, Size 1206	2
8	R4, R5	82.5 $\Omega$ SMD Resistor, Size 1206	2
9	R6,R7	75 $\Omega$ SMD Resistor, Size 1206	2
10	R11	2.4 k $\Omega$ SMD Resistor, Size 1206	1
11	R12	3 k $\Omega$ SMD Resistor, Size 1206	1
12	U1	CLC005AJE Cable Driver	1
13	+5, -5	Jumper	4
14	VR1	10 k $\Omega$ Potentiometer, Bourns 3299	1

# PCB Layout Recommendations (Continued)

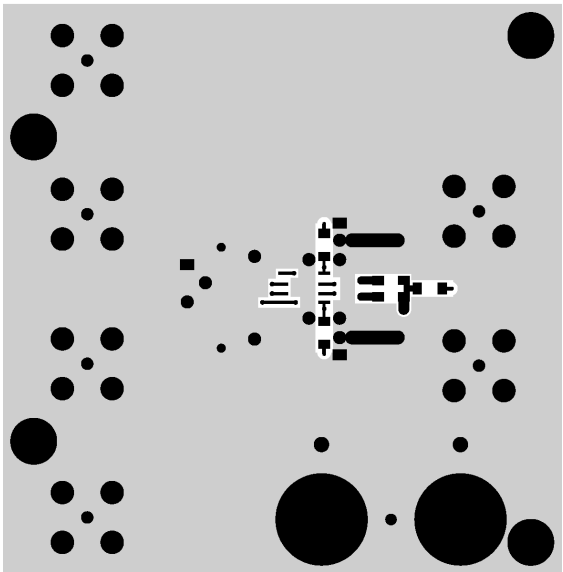
COMLINEAR LAYER1 SILK



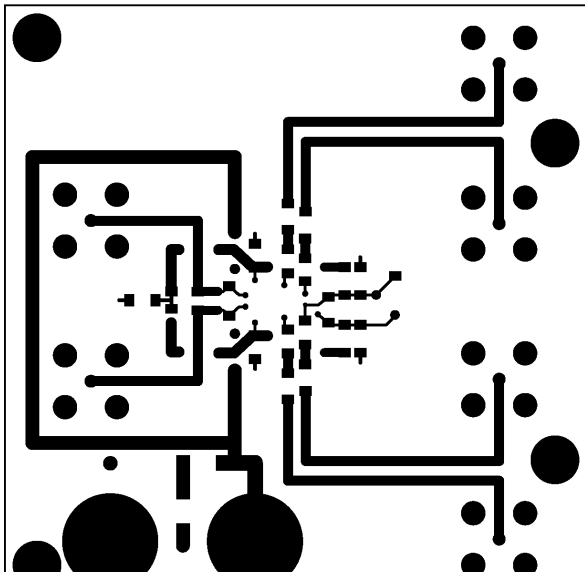
COMLINEAR LAYER2 SILK



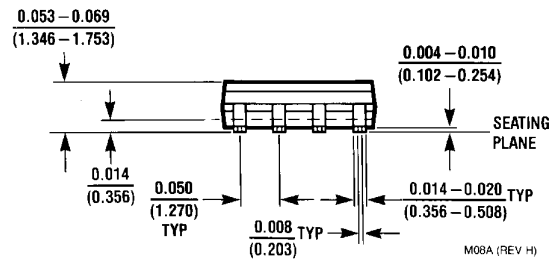
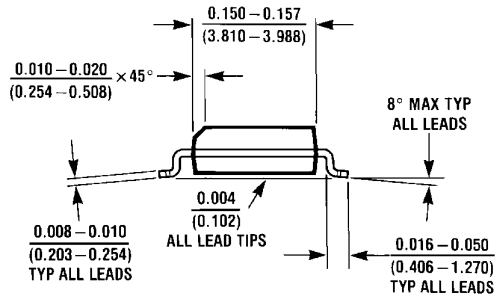
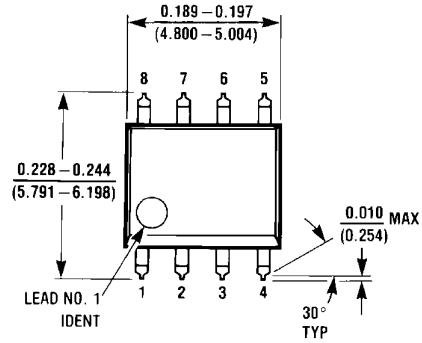
COMLINEAR LAYER1



COMLINEAR LAYER2



**Physical Dimensions** inches (millimeters) unless otherwise noted



**Order Number CLC005AJE**  
**NS Package Number M08A**

**LIFE SUPPORT POLICY**

NATIONAL'S PRODUCTS ARE NOT AUTHORIZED FOR USE AS CRITICAL COMPONENTS IN LIFE SUPPORT DEVICES OR SYSTEMS WITHOUT THE EXPRESS WRITTEN APPROVAL OF THE PRESIDENT AND GENERAL COUNSEL OF NATIONAL SEMICONDUCTOR CORPORATION. As used herein:

1. Life support devices or systems are devices or systems which, (a) are intended for surgical implant into the body, or (b) support or sustain life, and whose failure to perform when properly used in accordance with instructions for use provided in the labeling, can be reasonably expected to result in a significant injury to the user.
2. A critical component is any component of a life support device or system whose failure to perform can be reasonably expected to cause the failure of the life support device or system, or to affect its safety or effectiveness.



**National Semiconductor Corporation**  
Americas  
Email: support@nsc.com

www.national.com

**National Semiconductor Europe**  
Fax: +49 (0) 180-530 85 86  
Email: europe.support@nsc.com  
Deutsch Tel: +49 (0) 69 9508 6208  
English Tel: +44 (0) 870 24 0 2171  
Français Tel: +33 (0) 1 41 91 8790

**National Semiconductor Asia Pacific Customer Response Group**  
Tel: 65-2544466  
Fax: 65-2504466  
Email: ap.support@nsc.com

**National Semiconductor Japan Ltd.**  
Tel: 81-3-5639-7560  
Fax: 81-3-5639-7507

## IMPORTANT NOTICE

Texas Instruments Incorporated and its subsidiaries (TI) reserve the right to make corrections, modifications, enhancements, improvements, and other changes to its products and services at any time and to discontinue any product or service without notice. Customers should obtain the latest relevant information before placing orders and should verify that such information is current and complete. All products are sold subject to TI's terms and conditions of sale supplied at the time of order acknowledgment.

TI warrants performance of its hardware products to the specifications applicable at the time of sale in accordance with TI's standard warranty. Testing and other quality control techniques are used to the extent TI deems necessary to support this warranty. Except where mandated by government requirements, testing of all parameters of each product is not necessarily performed.

TI assumes no liability for applications assistance or customer product design. Customers are responsible for their products and applications using TI components. To minimize the risks associated with customer products and applications, customers should provide adequate design and operating safeguards.

TI does not warrant or represent that any license, either express or implied, is granted under any TI patent right, copyright, mask work right, or other TI intellectual property right relating to any combination, machine, or process in which TI products or services are used. Information published by TI regarding third-party products or services does not constitute a license from TI to use such products or services or a warranty or endorsement thereof. Use of such information may require a license from a third party under the patents or other intellectual property of the third party, or a license from TI under the patents or other intellectual property of TI.

Reproduction of TI information in TI data books or data sheets is permissible only if reproduction is without alteration and is accompanied by all associated warranties, conditions, limitations, and notices. Reproduction of this information with alteration is an unfair and deceptive business practice. TI is not responsible or liable for such altered documentation. Information of third parties may be subject to additional restrictions.

Resale of TI products or services with statements different from or beyond the parameters stated by TI for that product or service voids all express and any implied warranties for the associated TI product or service and is an unfair and deceptive business practice. TI is not responsible or liable for any such statements.

TI products are not authorized for use in safety-critical applications (such as life support) where a failure of the TI product would reasonably be expected to cause severe personal injury or death, unless officers of the parties have executed an agreement specifically governing such use. Buyers represent that they have all necessary expertise in the safety and regulatory ramifications of their applications, and acknowledge and agree that they are solely responsible for all legal, regulatory and safety-related requirements concerning their products and any use of TI products in such safety-critical applications, notwithstanding any applications-related information or support that may be provided by TI. Further, Buyers must fully indemnify TI and its representatives against any damages arising out of the use of TI products in such safety-critical applications.

TI products are neither designed nor intended for use in military/aerospace applications or environments unless the TI products are specifically designated by TI as military-grade or "enhanced plastic." Only products designated by TI as military-grade meet military specifications. Buyers acknowledge and agree that any such use of TI products which TI has not designated as military-grade is solely at the Buyer's risk, and that they are solely responsible for compliance with all legal and regulatory requirements in connection with such use.

TI products are neither designed nor intended for use in automotive applications or environments unless the specific TI products are designated by TI as compliant with ISO/TS 16949 requirements. Buyers acknowledge and agree that, if they use any non-designated products in automotive applications, TI will not be responsible for any failure to meet such requirements.

Following are URLs where you can obtain information on other Texas Instruments products and application solutions:

### Products

Audio	<a href="http://www.ti.com/audio">www.ti.com/audio</a>
Amplifiers	<a href="http://amplifier.ti.com">amplifier.ti.com</a>
Data Converters	<a href="http://dataconverter.ti.com">dataconverter.ti.com</a>
DLP® Products	<a href="http://www.dlp.com">www.dlp.com</a>
DSP	<a href="http://dsp.ti.com">dsp.ti.com</a>
Clocks and Timers	<a href="http://www.ti.com/clocks">www.ti.com/clocks</a>
Interface	<a href="http://interface.ti.com">interface.ti.com</a>
Logic	<a href="http://logic.ti.com">logic.ti.com</a>
Power Mgmt	<a href="http://power.ti.com">power.ti.com</a>
Microcontrollers	<a href="http://microcontroller.ti.com">microcontroller.ti.com</a>
RFID	<a href="http://www.ti-rfid.com">www.ti-rfid.com</a>
OMAP Mobile Processors	<a href="http://www.ti.com/omap">www.ti.com/omap</a>
Wireless Connectivity	<a href="http://www.ti.com/wirelessconnectivity">www.ti.com/wirelessconnectivity</a>

### Applications

Communications and Telecom	<a href="http://www.ti.com/communications">www.ti.com/communications</a>
Computers and Peripherals	<a href="http://www.ti.com/computers">www.ti.com/computers</a>
Consumer Electronics	<a href="http://www.ti.com/consumer-apps">www.ti.com/consumer-apps</a>
Energy and Lighting	<a href="http://www.ti.com/energy">www.ti.com/energy</a>
Industrial	<a href="http://www.ti.com/industrial">www.ti.com/industrial</a>
Medical	<a href="http://www.ti.com/medical">www.ti.com/medical</a>
Security	<a href="http://www.ti.com/security">www.ti.com/security</a>
Space, Avionics and Defense	<a href="http://www.ti.com/space-avionics-defense">www.ti.com/space-avionics-defense</a>
Transportation and Automotive	<a href="http://www.ti.com/automotive">www.ti.com/automotive</a>
Video and Imaging	<a href="http://www.ti.com/video">www.ti.com/video</a>

TI E2E Community Home Page

[e2e.ti.com](http://e2e.ti.com)

Mailing Address: Texas Instruments, Post Office Box 655303, Dallas, Texas 75265  
Copyright © 2011, Texas Instruments Incorporated