

SCAN18540T Inverting Line Driver with Tri-State Outputs

Check for Samples: [SCAN18540T](#)

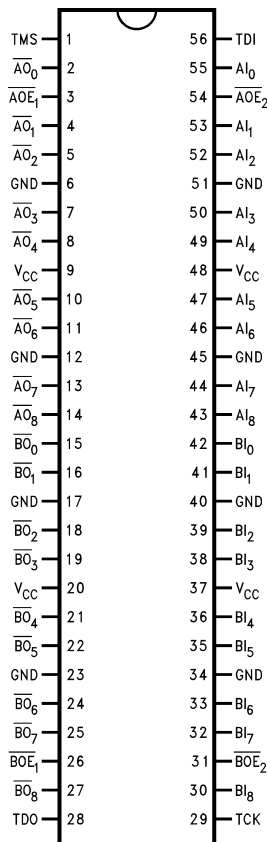
FEATURES

- IEEE 1149.1 (JTAG) Compliant
- Dual Output Enable Signals Per Byte
- Tri-State Outputs for Bus-Oriented Applications
- 9-bit Data Busses for Parity Applications
- Reduced-Swing Outputs Source 24 mA/Sink 48 mA (Mil)
- Ensured to Drive 50Ω Transmission Line to TTL Input Levels of 0.8V and 2.0V
- TTL Compatible Inputs
- 25 mil Pitch CLGA Packaging
- Includes CLAMP and HIGHZ Instructions
- Standard Microcircuit Drawing (SMD) 5962-9312701

DESCRIPTION

The SCAN18540T is a high speed, low-power line driver featuring separate data inputs organized into dual 9-bit bytes with byte-oriented paired output enable control signals. This device is compliant with IEEE 1149.1 Standard Test Access Port and Boundary Scan Architecture with the incorporation of the defined boundary-scan test logic and test access port consisting of Test Data Input (TDI), Test Data Out (TDO), Test Mode Select (TMS), and Test Clock (TCK).

Connection Diagram



Please be aware that an important notice concerning availability, standard warranty, and use in critical applications of Texas Instruments semiconductor products and disclaimers thereto appears at the end of this data sheet.

Pin Names	Description
$AI_{(0-8)}$	Input pins, A side
$BI_{(0-8)}$	Input pins, B side
$\overline{AOE}_1, \overline{AOE}_2$	Tri-State Output Enable Input pins, A side
$\overline{BOE}_1, \overline{BOE}_2$	Tri-State Output Enable Input pins, B side
$\overline{AO}_{(0-8)}$	Output pins, A side
$\overline{BO}_{(0-8)}$	Output pins, B side

TRUTH TABLES

Inputs ⁽¹⁾			$\overline{AO} (0-8)$
\overline{AOE}_1	\overline{AOE}_2	$AI (0-8)$	
L	L	H	L
H	X	X	Z
X	H	X	Z
L	L	L	H

- (1) H= HIGH Voltage Level
 X= Immaterial
 L = LOW Voltage Level
 Z = High Impedance

Inputs ⁽¹⁾			$\overline{BO} (0-8)$
\overline{BOE}_1	\overline{BOE}_2	$BI (0-8)$	
L	L	H	L
H	X	X	Z
X	H	X	Z
L	L	L	H

- (1) H= HIGH Voltage Level
 X= Immaterial
 L = LOW Voltage Level
 Z = High Impedance

BLOCK DIAGRAMS

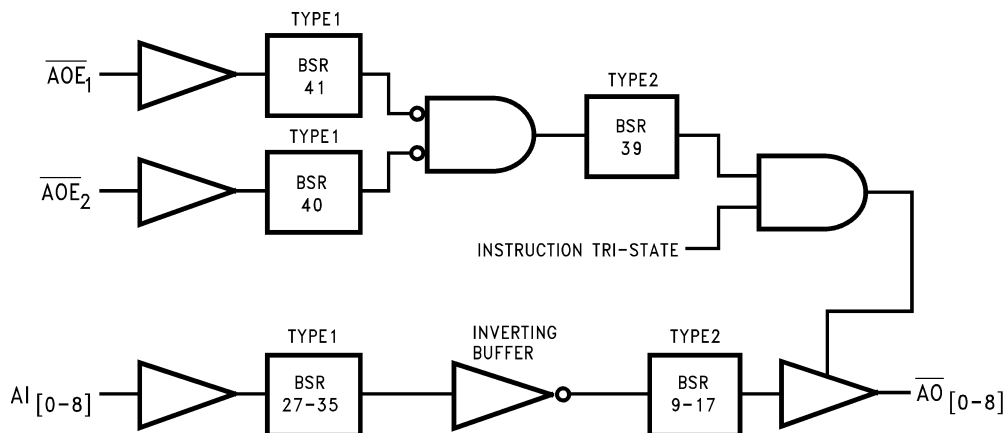


Figure 1. Byte-A

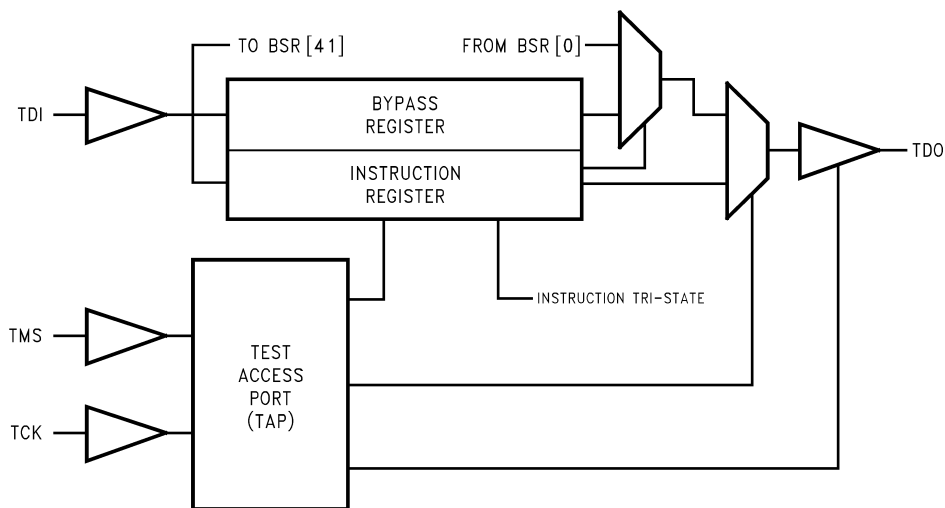
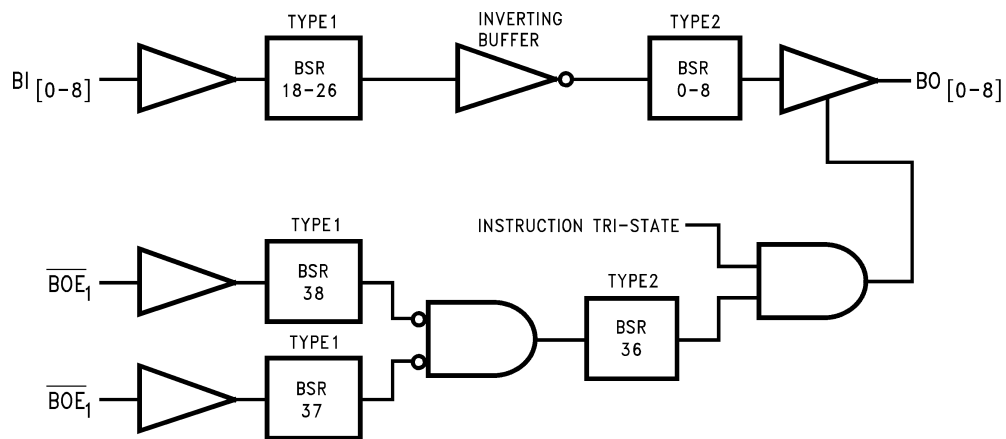


Figure 2. Tap Controller



Note: BSR stands for Boundary Scan Register

Figure 3. Byte-B

DESCRIPTION OF BOUNDARY-SCAN CIRCUITRY

The scan cells used in the BOUNDARY-SCAN register are one of the following two types depending upon their location. Scan cell TYPE1 is intended to solely observe system data, while TYPE2 has the additional ability to control system data. (See IEEE Standard 1149.1 *Figure 10–11* for a further description of scan cell TYPE1 and *Figure 10–12* for a further description of scan cell TYPE2.)

Scan cell TYPE1 is located on each system input pin while scan cell TYPE2 is located at each system output pin as well as at each of the two internal active-high output enable signals. AOE controls the activity of the A-outputs while BOE controls the activity of the B-outputs. Each will activate their respective outputs by loading a logic high.

The BYPASS register is a single bit shift register stage identical to scan cell TYPE1. It captures a fixed logic low.

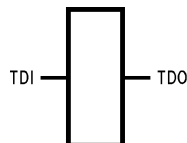


Figure 4. Bypass Register Scan Chain Definition Logic 0

The INSTRUCTION register is an 8-bit register which captures the default value of 01001101. The two least significant bits of this captured value (01) are required by IEEE Std 1149.1. The upper six bits are unique to the SCAN18540T device. SCAN CMOS Test Access Logic devices do not include the IEEE 1149.1 optional identification register. Therefore, this unique captured value can be used as a “pseudo ID” code to confirm that the correct device is placed in the appropriate location in the boundary scan chain.

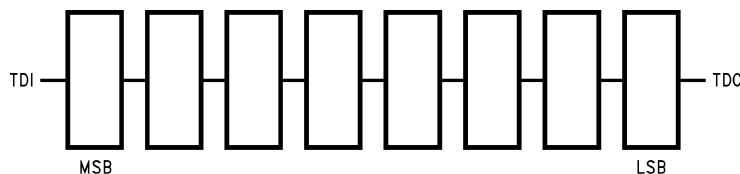


Figure 5. Instruction Register Scan Chain Definition

MSB→LSB

Instruction Code	Instruction
00000000	EXTEST
10000001	SAMPLE/PRELOAD
10000010	CLAMP
00000011	HIGH-Z
All Others	BYPASS

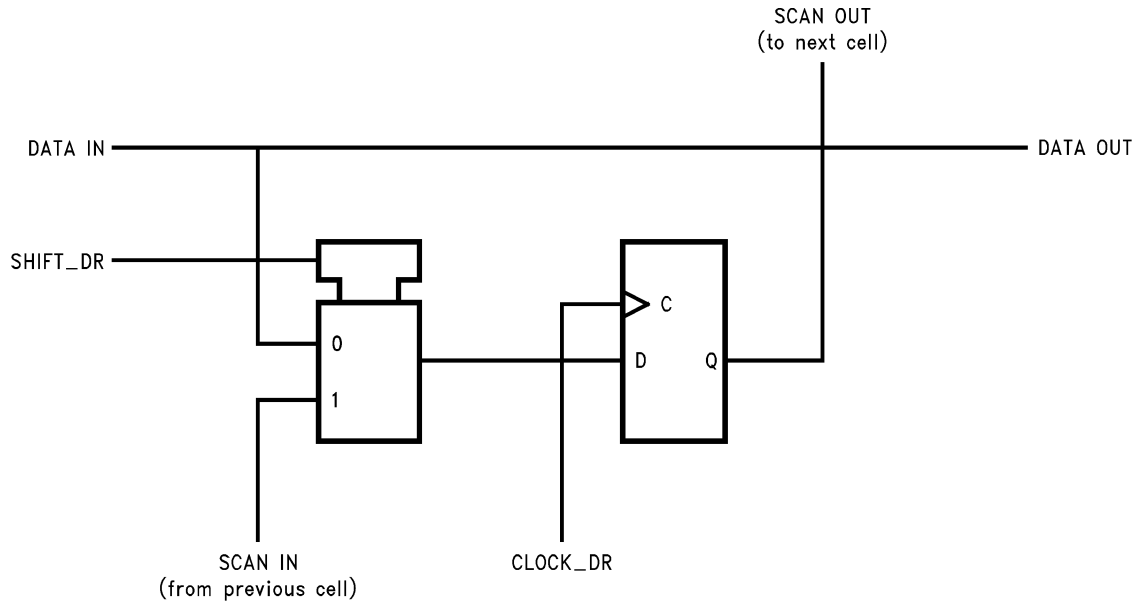


Figure 6. Scan Cell TYPE1

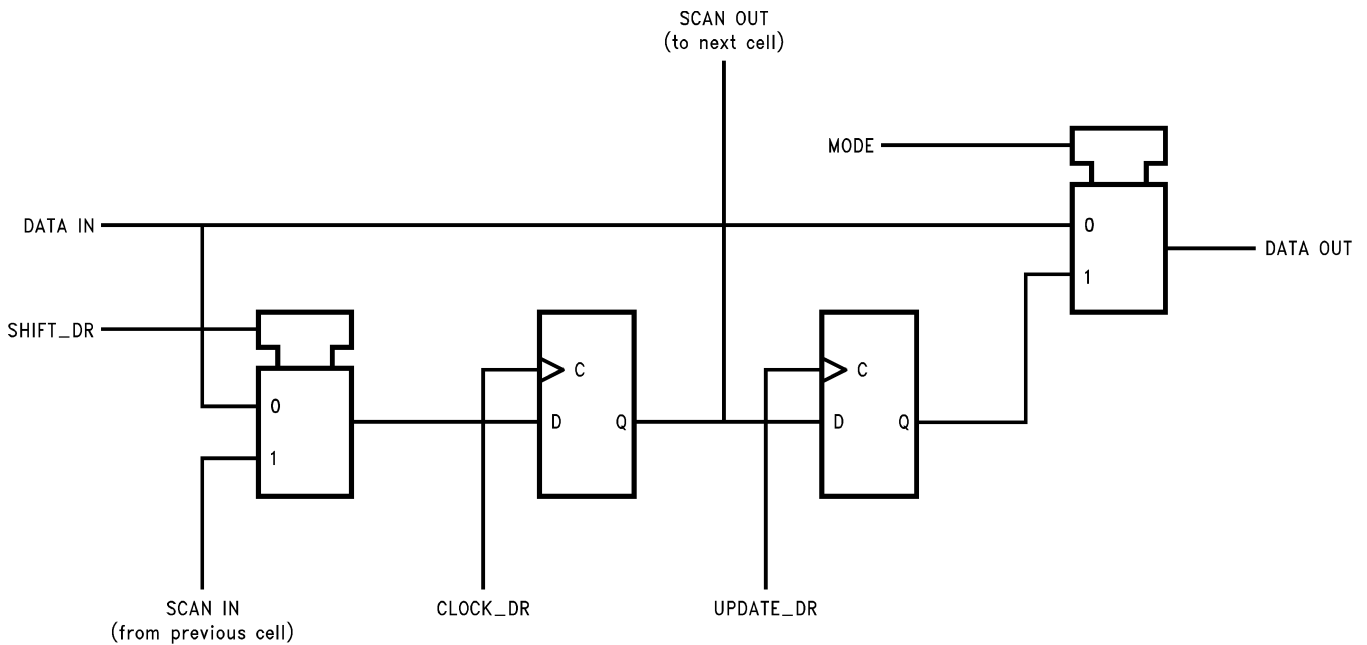


Figure 7. Scan Cell TYPE2

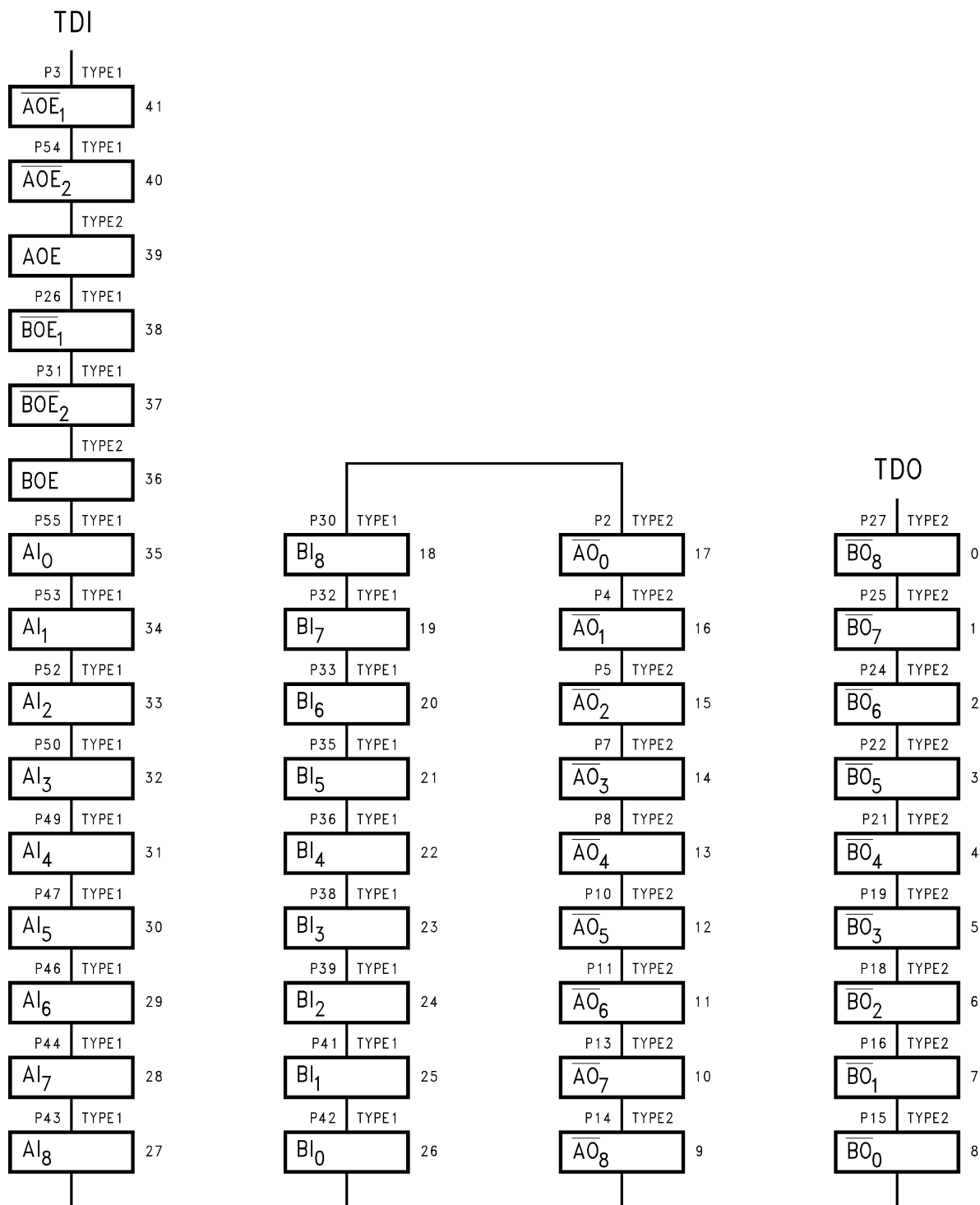


Figure 8. BOUNDARY-SCAN Register Scan Chain Definition (42 Bits in Length)

BOUNDARY-SCAN Register Definition Index

Bit No.	Pin Name	Pin No.	Pin Type	Scan Cell Type	
41	\overline{AOE}_1	3	Input	TYPE1	Control Signals
40	\overline{AOE}_2	54	Input	TYPE1	
39	AOE		Internal	TYPE2	
38	\overline{BOE}_1	26	Input	TYPE1	
37	\overline{BOE}_2	31	Input	TYPE1	
36	BOE		Internal	TYPE2	
35	AI ₀	55	Input	TYPE1	A-in
34	AI ₁	53	Input	TYPE1	
33	AI ₂	52	Input	TYPE1	
32	AI ₃	50	Input	TYPE1	
31	AI ₄	49	Input	TYPE1	
30	AI ₅	47	Input	TYPE1	
29	AI ₆	46	Input	TYPE1	
28	AI ₇	44	Input	TYPE1	
27	AI ₈	43	Input	TYPE1	B-in
26	BI ₀	42	Input	TYPE1	
25	BI ₁	41	Input	TYPE1	
24	BI ₂	39	Input	TYPE1	
23	BI ₃	38	Input	TYPE1	
22	BI ₄	36	Input	TYPE1	
21	BI ₅	35	Input	TYPE1	
20	BI ₆	33	Input	TYPE1	
19	BI ₇	32	Input	TYPE1	A-out
18	BI ₈	30	Input	TYPE1	
17	AO ₀	2	Output	TYPE2	
16	AO ₁	4	Output	TYPE2	
15	AO ₂	5	Output	TYPE2	
14	AO ₃	7	Output	TYPE2	
13	AO ₄	8	Output	TYPE2	
12	AO ₅	10	Output	TYPE2	
11	AO ₆	11	Output	TYPE2	B-in
10	AO ₇	13	Output	TYPE2	
9	AO ₈	14	Output	TYPE2	
8	BO ₀	15	Output	TYPE2	
7	BO ₁	16	Output	TYPE2	
6	BO ₂	18	Output	TYPE2	
5	BO ₃	19	Output	TYPE2	
4	BO ₄	21	Output	TYPE2	
3	BO ₅	22	Output	TYPE2	B-in
2	BO ₆	24	Output	TYPE2	
1	BO ₇	25	Output	TYPE2	
0	BO ₈	27	Output	TYPE2	



These devices have limited built-in ESD protection. The leads should be shorted together or the device placed in conductive foam during storage or handling to prevent electrostatic damage to the MOS gates.

ABSOLUTE MAXIMUM RATINGS ⁽¹⁾⁽²⁾

Supply Voltage (V_{CC})		-0.5V to +7.0V
DC Input Diode Current (I_{IK})	$V_I = -0.5V$	-20 mA
	$V_I = V_{CC} + 0.5V$	+20 mA
DC Output Diode Current (I_{OK})	$V_O = -0.5V$	-20 mA
	$V_O = V_{CC} + 0.5V$	+20 mA
DC Output Voltage (V_O)		-0.5V to $V_{CC} + 0.5V$
DC Output Source/Sink Current (I_O)		± 70 mA
DC V_{CC} or Ground Current	Per Output Pin	± 70 mA
Junction Temperature	CLGA	+175°C
Storage Temperature		-65°C to +150°C
ESD (Min)		2000V

- (1) Absolute maximum ratings are those values beyond which damage to the device may occur. The databook specifications should be met, without exception, to ensure that the system design is reliable over its power supply, temperature, and output/input loading variables. Texas Instruments does not recommend operation of SCAN circuits outside databook specifications.
- (2) If Military/Aerospace specified devices are required, please contact the Texas Instruments Sales Office/ Distributors for availability and specifications.

RECOMMENDED OPERATING CONDITIONS

Supply Voltage (V_{CC})	SCAN Products	4.5V to 5.5V
Input Voltage (V_I)		0V to V_{CC}
Output Voltage (V_O)		0V to V_{CC}
Operating Temperature (T_A)	Military	-55°C to +125°C
Minimum Input Edge Rate dV/dt	V_{IN} from 0.8V to 2.0V V_{CC} @ 4.5V, 5.5V	125 mV/ns

DC ELECTRICAL CHARACTERISTICS

All outputs loaded; thresholds associated with output under test.

Symbol	Parameter	V_{CC} (V)	Military	Units	Conditions	
			$T_A = -55^\circ\text{C to } +125^\circ\text{C}$			
			Specified Limits			
V_{IH}	Minimum High Input Voltage	4.5	2.0	V	$V_{OUT} = 0.1V$ or $V_{CC} - 0.1V$	
		5.5	2.0			
V_{IL}	Maximum Low Input Voltage	4.5	0.8	V	$V_{OUT} = 0.1V$ or $V_{CC} - 0.1V$	
		5.5	0.8			
V_{OH}	Minimum High Output Voltage	4.5	3.15	V	$I_{OUT} = -50 \mu A$	
		5.5	4.15			
			4.5	2.4	V	$V_{IN} = V_{IL}$ or V_{IH} $I_{OH} = -24 \text{ mA}$
			5.5	2.4		
V_{OL}	Maximum Low Output Voltage	4.5	0.1	V	$I_{OUT} = 50 \mu A$	
		5.5	0.1			
			4.5	0.55	V	$V_{IN} = V_{IL}$ or V_{IH} $I_{OL} = 48 \text{ mA}$
			5.5	0.55		
I_{IN}	Maximum Input Leakage Current	5.5	± 1.0	μA	$V_I = V_{CC}, \text{ GND}$	
I_{IN} TDI, TMS	Maximum Input Leakage	5.5	3.7	μA	$V_I = V_{CC}$	
			-385	μA	$V_I = \text{GND}$	
	Minimum Input Leakage	5.5	-160	μA	$V_I = \text{GND}$	

DC ELECTRICAL CHARACTERISTICS (continued)

All outputs loaded; thresholds associated with output under test.

Symbol	Parameter	V _{CC} (V)	Military		Units	Conditions
			T _A = -55°C to +125°C			
			Specified Limits			
I _{OLD}	Minimum Dynamic Output Current ⁽¹⁾	5.5	63		mA	V _{OLD} = 0.8V Max
I _{OHD}			-27		mA	V _{OHD} = 2.0V Min
I _{OZ}	Maximum Output Leakage Current	5.5	±10.0		μA	V _I (OE) = V _{IL} , V _{IH}
I _{OS}	Output Short Circuit Current	5.5	-100		mA Min	V _O = 0V
I _{CC}	Maximum Quiescent Supply Current	5.5	168		μA	V _O = Open TDI, TMS = V _{CC}
		5.5	930		μA	V _O = Open TDI, TMS = GND
I _{CCt}	Maximum I _{CC} Per Input	5.5	2.0		mA	V _I = V _{CC} -2.1V
		5.5	2.15		mA	V _I = V _{CC} -2.1V TDI/TMS Pin, Test One with the other Floating

(1) Maximum test duration 2.0 ms, one output loaded at a time.

NOISE SPECIFICATIONS

Symbol	Parameter	V _{CC} (V)	Military		Units	Fig. No.
			T _A = -55°C to +125°C			
			Specified Limits			
V _{OLP}	Maximum High Output Noise ⁽¹⁾⁽²⁾	5.0	0.8		V	
V _{OLV}	Minimum Low Output Noise ⁽¹⁾⁽²⁾	5.0	-0.8		V	

(1) Maximum number of outputs that can switch simultaneously is n. (n-1) outputs are switched LOW and one output held LOW.

(2) Maximum number of outputs that can switch simultaneously is n. (n-1) outputs are switched HIGH and one output held HIGH.

AC ELECTRICAL CHARACTERISTICS

Normal Operation

Symbol	Parameter	V _{CC} (V) ⁽¹⁾	Military		Units	Fig. No.
			T _A = -55°C to +125°C C _L = 50 pF			
			Min	Max		
t _{PLH} , t _{PHL}	Propagation Delay Data to Q	5.0	2.5 2.5	10.5 11.0	ns	
t _{PLZ} , t _{PHZ}	Disable Time	5.0	1.5 1.5	11.2 11.2	ns	
t _{PZL} , t _{PZH}	Enable Time	5.0	2.0 2.0	14.0 12.0	ns	

(1) Voltage Range 5.0 is 5.0V ±0.5V. All Input Timing Delays involving TCK are measured from the rising edge of TCK.

AC ELECTRICAL CHARACTERISTICS

Scan Test Operation

Symbol	Parameter	V _{CC} (V) ⁽¹⁾	Military		Units	Fig. No.
			T _A = -55°C to +125°C			
			C _L = 50 pF			
			Min	Max		
t _{PLH} , t _{PHL}	Propagation Delay TCK to TDO	5.0	3.5 3.5	15.8 15.8	ns	
t _{PLZ} , t _{PHZ}	Disable Time TCK to TDO	5.0	2.5 2.5	12.8 12.8	ns	
t _{PZL} , t _{PZH}	Enable Time TCK to TDO	5.0	3.0 3.0	16.7 16.7	ns	
t _{PLH} , t _{PHL}	Propagation Delay TCK to Data Out During Update- -DR State	5.0	5.0 5.0	21.7 21.7	ns	
t _{PLH} , t _{PHL}	Propagation Delay TCK to Data Out During Update- IR State	5.0	5.0 5.0	21.2 21.2	ns	
t _{PLH} , t _{PHL}	Propagation Delay TCK to Data Out During Test Logic Reset State	5.0	5.5 5.5	23.0 23.0	ns	
t _{PLZ} , t _{PHZ}	Propagation Delay TCK to Data Out During Update- DR State	5.0	4.0 4.0	19.6 19.6	ns	
t _{PLZ} , t _{PHZ}	Propagation Delay TCK to Data Out During Update- IR State	5.0	5.0 5.0	22.4 22.4	ns	
t _{PLZ} , t _{PHZ}	Propagation Delay TCK to Data Out During Test Logic Reset State	5.0	5.0 5.0	23.3 23.3	ns	
t _{PZL} , t _{PZH}	Propagation Delay TCK to Data Out During Update- DR State	5.0	5.0 5.0	22.6 22.6	ns	
t _{PZL} , t _{PZH}	Propagation Delay TCK to Data Out During Update- IR State	5.0	6.5 6.5	26.2 26.2	ns	
t _{PZL} , t _{PZH}	Propagation Delay TCK to Data Out During Test Logic Reset State	5.0	7.0 7.0	27.4 27.4	ns	

(1) Voltage Range 5.0 is 5.0V ±0.5V. All Input Timing Delays involving TCK are measured from the rising edge of TCK.

AC OPERATING REQUIREMENTS

Scan Test Operation

Symbol	Parameter	V _{CC} (V) ⁽¹⁾	Military	Units	Fig. No.
			T _A = -55°C to +125°C C _L = 50 pF		
			Specified Minimum		
t _S	Setup Time, H or L Data to TCK ⁽²⁾	5.0	3.0	ns	
t _H	Hold Time, H or L TCK to Data ⁽²⁾	5.0	5.5	ns	
t _S	Setup Time, H or L AOE _n , BOE _n to TCK ⁽³⁾	5.0	3.0	ns	
t _H	Hold Time, H or L TCK to AOE _n , BOE _n ⁽³⁾	5.0	4.5	ns	
t _S	Setup Time, H or L Internal AOE, BOE, to TCK ⁽⁴⁾	5.0	3.0	ns	
t _H	Hold Time, H or L TCK to Internal AOE, BOE ⁽⁴⁾	5.0	3.0	ns	
t _S	Setup Time, H or L TMS to TCK	5.0	8.0	ns	
t _H	Hold Time, H or L TCK to TMS	5.0	2.0	ns	
t _S	Setup Time, H or L TDI to TCK	5.0	4.0	ns	
t _H	Hold Time, H or L TCK to TDI	5.0	4.5	ns	
t _W	Pulse Width TCK	5.0	H L 12.0 5.0	ns	
f _{max}	Maximum TCK Clock Frequency	5.0	25	MHz	
T _{PU}	Wait Time, Power Up to TCK	5.0	100	ns	
T _{DN}	Power Down Delay	0.0	100	ms	

(1) Voltage Range 5.0 is 5.0V ±0.5V. All Input Timing Delays involving TCK are measured from the rising edge of TCK.

(2) This delay represents the timing relationship between the data input and TCK at the associated scan cells numbered 0-8, 9-17, 18-26, and 27-35.

(3) Timing pertains to BSR 37, 38, 40 and 41.

(4) This delay represents the timing relationship between AOE/BOE and TCK for scan cells 36 and 39 only.

CAPACITANCE

Symbol	Parameter	Typ	Units	Conditions
C _{IN}	Input Pin Capacitance	4.0	pF	V _{CC} = 5.0V
C _{OUT}	Output Pin Capacitance	13.0	pF	V _{CC} = 5.0V
C _{PD}	Power Dissipation Capacitance	34.0	pF	V _{CC} = 5.0V

REVISION HISTORY

Changes from Original (April 2013) to Revision A	Page
• Changed layout of National Data Sheet to TI format	11

IMPORTANT NOTICE

Texas Instruments Incorporated and its subsidiaries (TI) reserve the right to make corrections, enhancements, improvements and other changes to its semiconductor products and services per JESD46, latest issue, and to discontinue any product or service per JESD48, latest issue. Buyers should obtain the latest relevant information before placing orders and should verify that such information is current and complete. All semiconductor products (also referred to herein as "components") are sold subject to TI's terms and conditions of sale supplied at the time of order acknowledgment.

TI warrants performance of its components to the specifications applicable at the time of sale, in accordance with the warranty in TI's terms and conditions of sale of semiconductor products. Testing and other quality control techniques are used to the extent TI deems necessary to support this warranty. Except where mandated by applicable law, testing of all parameters of each component is not necessarily performed.

TI assumes no liability for applications assistance or the design of Buyers' products. Buyers are responsible for their products and applications using TI components. To minimize the risks associated with Buyers' products and applications, Buyers should provide adequate design and operating safeguards.

TI does not warrant or represent that any license, either express or implied, is granted under any patent right, copyright, mask work right, or other intellectual property right relating to any combination, machine, or process in which TI components or services are used. Information published by TI regarding third-party products or services does not constitute a license to use such products or services or a warranty or endorsement thereof. Use of such information may require a license from a third party under the patents or other intellectual property of the third party, or a license from TI under the patents or other intellectual property of TI.

Reproduction of significant portions of TI information in TI data books or data sheets is permissible only if reproduction is without alteration and is accompanied by all associated warranties, conditions, limitations, and notices. TI is not responsible or liable for such altered documentation. Information of third parties may be subject to additional restrictions.

Resale of TI components or services with statements different from or beyond the parameters stated by TI for that component or service voids all express and any implied warranties for the associated TI component or service and is an unfair and deceptive business practice. TI is not responsible or liable for any such statements.

Buyer acknowledges and agrees that it is solely responsible for compliance with all legal, regulatory and safety-related requirements concerning its products, and any use of TI components in its applications, notwithstanding any applications-related information or support that may be provided by TI. Buyer represents and agrees that it has all the necessary expertise to create and implement safeguards which anticipate dangerous consequences of failures, monitor failures and their consequences, lessen the likelihood of failures that might cause harm and take appropriate remedial actions. Buyer will fully indemnify TI and its representatives against any damages arising out of the use of any TI components in safety-critical applications.

In some cases, TI components may be promoted specifically to facilitate safety-related applications. With such components, TI's goal is to help enable customers to design and create their own end-product solutions that meet applicable functional safety standards and requirements. Nonetheless, such components are subject to these terms.

No TI components are authorized for use in FDA Class III (or similar life-critical medical equipment) unless authorized officers of the parties have executed a special agreement specifically governing such use.

Only those TI components which TI has specifically designated as military grade or "enhanced plastic" are designed and intended for use in military/aerospace applications or environments. Buyer acknowledges and agrees that any military or aerospace use of TI components which have **not** been so designated is solely at the Buyer's risk, and that Buyer is solely responsible for compliance with all legal and regulatory requirements in connection with such use.

TI has specifically designated certain components as meeting ISO/TS16949 requirements, mainly for automotive use. In any case of use of non-designated products, TI will not be responsible for any failure to meet ISO/TS16949.

Products

Audio	www.ti.com/audio
Amplifiers	amplifier.ti.com
Data Converters	dataconverter.ti.com
DLP® Products	www.dlp.com
DSP	dsp.ti.com
Clocks and Timers	www.ti.com/clocks
Interface	interface.ti.com
Logic	logic.ti.com
Power Mgmt	power.ti.com
Microcontrollers	microcontroller.ti.com
RFID	www.ti-rfid.com
OMAP Applications Processors	www.ti.com/omap
Wireless Connectivity	www.ti.com/wirelessconnectivity

Applications

Automotive and Transportation	www.ti.com/automotive
Communications and Telecom	www.ti.com/communications
Computers and Peripherals	www.ti.com/computers
Consumer Electronics	www.ti.com/consumer-apps
Energy and Lighting	www.ti.com/energy
Industrial	www.ti.com/industrial
Medical	www.ti.com/medical
Security	www.ti.com/security
Space, Avionics and Defense	www.ti.com/space-avionics-defense
Video and Imaging	www.ti.com/video

TI E2E Community

e2e.ti.com