

## DS481 Low Power RS-485/RS-422 Multipoint Transceiver with Sleep Mode

Check for Samples: [DS481](#)

### FEATURES

- Meets TIA/EIA RS-485 Multipoint Standard
- Sleep Mode Reduces  $I_{CC}$  to 0.2  $\mu\text{A}$
- Guaranteed Full Load Output Voltage ( $V_{OD3}$ )
- Low Quiescent Current: 200  $\mu\text{A}$  typ
- -7V to +12V Common-mode Input Voltage Range
- TRI-STATE Outputs on Driver and Receiver
- AC Performance:
  - Driver Transition Time: 25 ns typ
  - Driver Propagation Delay: 40 ns typ
  - Driver Skew: 1 ns typ
  - Receiver Propagation Delay: 200 ns typ
  - Receiver Skew: 20 ns typ
- Half-duplex Flow Through Pinout
- Operates From a Single 5V Supply
- Allows up to 64 Transceivers on the Bus
- Current-limiting and Thermal Shutdown for Driver Overload Protection
- Industrial Temperature Range Operation
- Pin and Functional Compatible with MAX481C and MAX481E

### DESCRIPTION

The DS481 is a low-power transceiver for RS-485 and RS-422 communication. The device contains one driver and one receiver. The drivers slew rate allows for operation up to 2.0 Mbps (see [Applications Information](#)).

The transceiver draws 200  $\mu\text{A}$  of supply current when unloaded or 0.2  $\mu\text{A}$  when in the automatic sleep mode. Sleep mode is activated by inactivity on the enables (DE and RE<sup>(1)</sup>). Holding DE =L and RE<sup>(1)</sup> =H for greater than 600 ns will enable the sleep mode. The DS481 operates from a single +5V supply.

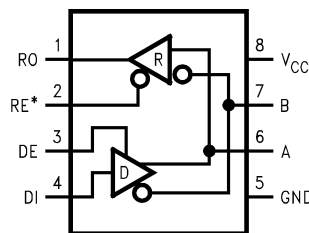
The driver is short-circuit current limited and is protected against excessive power dissipation by thermal shutdown circuitry that places the driver outputs into TRI-STATE (High Impedance state) under fault conditions. The driver guarantees a minimum of 1.5V differential output voltage with maximum loading across the common mode range ( $V_{OD3}$ ).

The receiver has a failsafe feature that guarantees a logic-high output if the input is open circuit.

The DS481 is available in a surface mount package and is characterized for Industrial temperature range operation.

(1) Non Terminated, Open Input only

### Connection and Logic Diagram



\*Non Terminated, Open Input only

**Figure 1. SOIC Package**



Please be aware that an important notice concerning availability, standard warranty, and use in critical applications of Texas Instruments semiconductor products and disclaimers thereto appears at the end of this data sheet.

All trademarks are the property of their respective owners.

**Table 1. Pin Descriptions**

Pin Name	Number	DESCRIPTION
RO	1	Receiver Output: When RE (Receiver Enable) is LOW, the receiver is enabled (ON), if DO/RI $\geq$ DO <sup>(1)</sup> /RI <sup>(1)</sup> by 200 mV, RO will be HIGH. If DO/RI $\leq$ DO <sup>(1)</sup> /RI <sup>(1)</sup> by 200 mV, RO will be LOW. Additionally RO will be HIGH for OPEN (Non-terminated) Inputs.
RE <sup>(1)</sup>	2	Receiver Output Enable: When RE <sup>(1)</sup> is LOW the receiver output is enabled. When RE <sup>(1)</sup> is HIGH, the receiver output is in TRI-STATE (OFF). When RE <sup>(1)</sup> is HIGH and DE is LOW, the device will enter a low-current sleep mode after 600 ns.
DE	3	Driver Output Enable: When DE is HIGH, the driver outputs are enabled. When DE is LOW, the driver outputs are in TRI-STATE (OFF). When RE <sup>(1)</sup> is HIGH and DE is LOW, the device will enter a low-current sleep mode after 600 ns.
DI	4	Driver Input: When DE (Driver Enable) is HIGH, the driver is enabled, if DI is LOW, then DO/RI will be LOW and DO <sup>(1)</sup> /RI <sup>(1)</sup> will be HIGH. If DI is HIGH, then DO/RI is HIGH and DO <sup>(1)</sup> /RI <sup>(1)</sup> is LOW.
GND	5	Ground Connection.
DO/RI	6	Driver Output/Receiver Input, 485 Bus Pin.
DO <sup>(1)</sup> /RI <sup>(1)</sup>	7	Driver Output/Receiver Input, 485 Bus Pin.
V <sub>CC</sub>	8	Positive Power Supply Connection: Recommended operating range for V <sub>CC</sub> is +4.75V to +5.25V.

(1) Non Terminated, Open Input only

### Truth Table

DRIVER SECTION				
RE <sup>(1)</sup>	DE	DI	A	B
X <sup>(2)</sup>	H	H	H	L
X <sup>(2)</sup>	H	L	L	H
X <sup>(2)</sup>	L	X <sup>(2)</sup>	Z <sup>(2)</sup>	Z <sup>(2) (3)</sup>
RECEIVER SECTION				
RE <sup>(1)</sup>	DE	A-B		RO
L	L	$\geq +0.2V$		H
L	L	$\leq -0.2V$		L
H	X <sup>(2)</sup>	X <sup>(2)</sup>		Z <sup>(2) (3)</sup>
L	L	OPEN <sup>(1)</sup>		H

(1) Non Terminated, Open Input only

(2) X = indeterminate

Z = TRI-STATE

(3) Device enters sleep mode if enable conditions are held > 600 ns, DE = L and RE = H. RE is Non Terminated and Open Input only.



These devices have limited built-in ESD protection. The leads should be shorted together or the device placed in conductive foam during storage or handling to prevent electrostatic damage to the MOS gates.

**Absolute Maximum Ratings** <sup>(1)(2)</sup>

Supply Voltage ( $V_{CC}$ )	+12V
Enable Input Voltage (RE <sup>(3)</sup> , DE)	-0.5V to ( $V_{CC} + 0.5V$ )
Driver Input Voltage (DI)	-0.5V to ( $V_{CC} + 0.5V$ )
Driver Output Voltage (A, B)	-14V to +14V
Receiver Input Voltage (A, B)	-14V to +14V
Receiver Output Voltage (RO)	-0.5V to ( $V_{CC} + 0.5V$ )
Maximum Package Power Dissipation @ +25°C	
D0008A Package	1.19W
Derate D0008A Package 9.5 mW/°C above +25°C	
Maximum Package Power Dissipation @ +70°C	
D0008A Package	0.76W
Storage Temperature Range	-65°C to +150°C
Lead Temperature Range	
(Soldering, 4 sec.)	+260°C
ESD (HBM)	≥2 kV

- (1) "Absolute Maximum Ratings" are those values beyond which the safety of the device cannot be guaranteed. They are not meant to imply that the devices should be operated at these limits. The table of "Electrical Characteristics" specifies conditions of device operation.
- (2) If Military/Aerospace specified devices are required, please contact the Texas Instruments Sales Office/Distributors for availability and specifications.
- (3) Non Terminated, Open Input only

**Recommended Operating Conditions**

	Min	Typ	Max	Units
Supply Voltage ( $V_{CC}$ )	+4.75	+5.0	+5.25	V
Operating Free Air				
Temperature ( $T_A$ )				
DS481T	-40	+25	+85	°C
Bus Common Mode Voltage	-7		+12	V

**Electrical Characteristics**

 Over Supply Voltage and Operating Temperature Ranges, unless otherwise specified <sup>(1) (2)</sup>

Parameter	Test Conditions	Pin	Min	Typ	Max	Units	
$V_{OD1}$	Differential Driver Output Voltage (No Load)	A, B	1.5		5	V	
$V_{OD2}$	Differential Driver Output Voltage with Load		$R_L = 50\Omega$ , (RS422), <a href="#">Figure 2</a>	2	2.8		V
			$R_L = 27\Omega$ , (RS485), <a href="#">Figure 2</a>	1.5	2.3	5	V
$\Delta V_{OD}$	Change in Magnitude of Output Differential Voltage		$R_L = 27\Omega$ or $50\Omega$ <sup>(3)</sup>			0.2	V
$V_{OD3}$	Differential Driver Output Voltage— Full Load with Max $V_{CM}$		$R_1 = 54\Omega$ , $R_2 = 375\Omega$ $V_{TEST} = -7V$ to +12V, <a href="#">Figure 3</a>	1.5	2.0	5	V
$V_{OC}$	Driver Common-Mode Output Voltage		$R_L = 27\Omega$ or $50\Omega$ , <a href="#">Figure 2</a>	0		3	V
$\Delta V_{OC}$	Change in Magnitude of Common- Mode Output Voltage		$R_L = 27\Omega$ or $50\Omega$ , <a href="#">Figure 2</a> <sup>(3)</sup>			0.2	V

- (1) Current into device pins is defined as positive. Current out of device pins is defined as negative. All voltages are referenced to ground except  $V_{OD1/2/3}$  and  $V_{ID}$ .
- (2) All typicals are given for:  $V_{CC} = +5.0V$ ,  $T_A = +25°C$ .
- (3)  $\Delta|V_{OD}|$  and  $\Delta|V_{OC}|$  are changes in magnitude of  $V_{OD}$  and  $V_{OC}$  respectively, that occur when the input changes state.

## Electrical Characteristics (continued)

Over Supply Voltage and Operating Temperature Ranges, unless otherwise specified <sup>(1)</sup> <sup>(2)</sup>

Parameter		Test Conditions		Pin	Min	Typ	Max	Units
V <sub>IH</sub>	Input High Voltage			DI, DE, RE <sup>(4)</sup>	2.0			V
V <sub>IL</sub>	Input Low Voltage						0.8	V
I <sub>IN1</sub>	Input Current	V <sub>IN</sub> = 0V or V <sub>CC</sub>					±2	µA
I <sub>IN2</sub>	Input Current <sup>(5)</sup> DE = 0V, V <sub>CC</sub> = 0V or 5.25V	V <sub>IN</sub> = +12V	DS481T	A, B	0	190	500	µA
		V <sub>IN</sub> = -7V			0	-100	-400	µA
V <sub>TH</sub>	Receiver Differential Threshold Voltage	-7V ≤ V <sub>CM</sub> ≤ +12V				-0.2		0.2
ΔV <sub>TH</sub>	Receiver Input Hysteresis	V <sub>CM</sub> = 0V				70		mV
V <sub>OH</sub>	Receiver Output High Voltage	I <sub>O</sub> = -4 mA, V <sub>ID</sub> = 0.2V		RO	3.5			V
V <sub>OL</sub>	Receiver Output Low Voltage	I <sub>O</sub> = 4 mA, V <sub>ID</sub> = -0.2V					0.5	V
I <sub>OZR</sub>	TRI-STATE Output Current at Receiver	0.4V ≤ V <sub>O</sub> ≤ 2.4V					±1	µA
R <sub>IN</sub>	Receiver Input Resistance	-7V ≤ V <sub>IN</sub> ≤ +12V	DS481T	A, B	24			kΩ
I <sub>CC</sub>	No-Load Supply Current <sup>(6)</sup>	DE = V <sub>CC</sub> , RE <sup>(4)</sup> = 0V or V <sub>CC</sub>		V <sub>CC</sub>		200	500	µA
		DE = 0V, RE <sup>(4)</sup> = 0V or V <sub>CC</sub>				200	500	µA
I <sub>CCX</sub>	Sleep Mode Supply Current	DE = GND RE <sup>(4)</sup> = V <sub>CC</sub> (Figure 15)		V <sub>CC</sub>		0.2	10	µA
I <sub>OSD1</sub>	Driver Short Circuit Current, V <sub>O</sub> = HIGH	-7V ≤ V <sub>O</sub> ≤ +12V		A, B			250	mA
I <sub>OSD2</sub>	Driver Short Circuit Current, V <sub>O</sub> = LOW	-7V ≤ V <sub>O</sub> ≤ +12V					-250	mA
I <sub>OSR</sub>	Receiver Short Circuit Current	V <sub>O</sub> = GND		RO	7		85	mA

(4) Non Terminated, Open Input only.

(5) I<sub>IN2</sub> includes the receiver input current and driver TRI-STATE leakage current.

(6) Supply current specification is valid for loaded transmitters when DE = 0V or enabled (DE = H) with no load.

## Switching Characteristics

 Over Supply Voltage and Operating Temperature Ranges, unless otherwise specified <sup>(1)</sup> <sup>(2)</sup> <sup>(3)</sup>

Parameter		Test Conditions	Min	Typ	Max	Units
t <sub>PLHD</sub>	Driver Differential Propagation Delay—Low to High	R <sub>L</sub> = 54Ω, C <sub>L</sub> = 100 pF	10	40	80	ns
t <sub>PHLD</sub>	Driver Differential Propagation Delay—High to Low		10	39	80	ns
t <sub>SKEW</sub>	Differential Skew  t <sub>PHLD</sub> - t <sub>PLHD</sub>		0	1	10	ns
t <sub>r</sub>	Driver Rise Time		3	25	50	ns
t <sub>f</sub>	Driver Fall Time		3	25	50	ns
t <sub>ZH</sub>	Driver Enable to Output High	C <sub>L</sub> = 100 pF		50	200	ns
t <sub>ZL</sub>	Driver Enable to Output Low	C <sub>L</sub> = 100 pF		65	200	ns
t <sub>LZ</sub>	Driver Disable from Output Low	C <sub>L</sub> = 15 pF		80	200	ns
t <sub>HZ</sub>	Driver Disable from Output High	C <sub>L</sub> = 15 pF		80	200	ns
t <sub>PSH</sub>	Driver Enable from Sleep Mode to Output High	C <sub>L</sub> = 100 pF <sup>(4)</sup> (Figure 6, Figure 7)	70	98	250	ns
t <sub>PSL</sub>	Driver Enable from Sleep Mode to Output Low	C <sub>L</sub> = 100 pF <sup>(4)</sup> (Figure 8, Figure 9)	70	98	250	ns
t <sub>PLHD</sub>	Receiver Differential Propagation Delay—Low to High	C <sub>L</sub> = 15 pF (RO)	30	190	400	ns
t <sub>PHLD</sub>	Receiver Differential Propagation Delay—High to Low		30	210	400	ns
t <sub>SKEW</sub>	Differential Skew  t <sub>PHLD</sub> - t <sub>PLHD</sub>		0	20	50	ns
t <sub>ZH</sub>	Receiver Enable to Output High	C <sub>L</sub> = 15 pF		45	150	ns
t <sub>ZL</sub>	Receiver Enable to Output Low			40	150	ns
t <sub>LZ</sub>	Receiver Disable from Output Low			50	150	ns
t <sub>HZ</sub>	Receiver Disable from Output High			55	150	ns
t <sub>PSH</sub>	Receiver Enable from Sleep Mode to Output High	C <sub>L</sub> = 15 pF <sup>(4)</sup> (Figure 12, Figure 14)	70	97	250	ns
t <sub>PSL</sub>	Receiver Enable from Sleep Mode to Output Low	C <sub>L</sub> = 15 pF <sup>(4)</sup> (Figure 12, Figure 13)	70	95	250	ns
t <sub>SLEEP</sub>	Time to Sleep (Device)	DE = L and RE <sup>(5)</sup> = H (Figure 15)	50		600	ns
f <sub>max</sub>	Maximum Data Rate	<sup>(6)</sup>	2.0			Mbps

(1) All typicals are given for: V<sub>CC</sub> = +5.0V, T<sub>A</sub> = +25°C.

(2) f = 1 MHz, t<sub>r</sub> and t<sub>f</sub> ≤ 6 ns, Z<sub>O</sub> = 50Ω.

(3) C<sub>L</sub> includes jig and probe capacitance.

(4) For enable from sleep mode delays DE = L and RE = H for greater than 600 ns prior to test (device is in sleep mode). RE is Non Terminated, Open Input only.

(5) Non Terminated, Open Input only

(6) f<sub>max</sub> is the guaranteed data rate for 50 ft of twisted pair cable. f<sub>max</sub> may be conservatively determined from the ratio of driver transition time (t<sub>r</sub>) to the data rate unit interval (1/f<sub>max</sub>). Using a 10% ratio yields f<sub>max</sub> = (0.1)/50 ns = 2.0 Mb/s. Higher data rates may be supported by allowing larger ratios.

PARAMETER MEASUREMENT INFORMATION

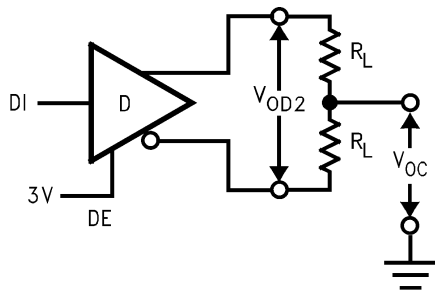


Figure 2.  $V_{OD}$

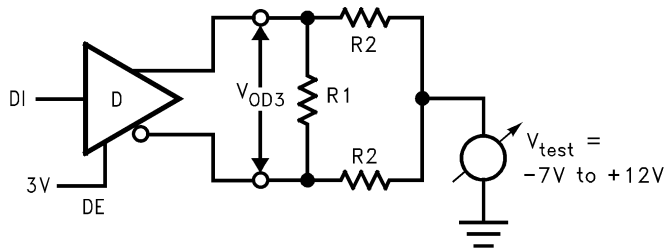


Figure 3.  $V_{OD3}$

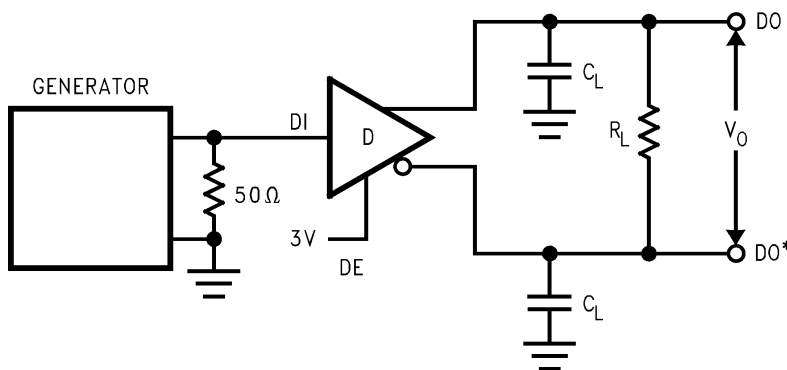


Figure 4.

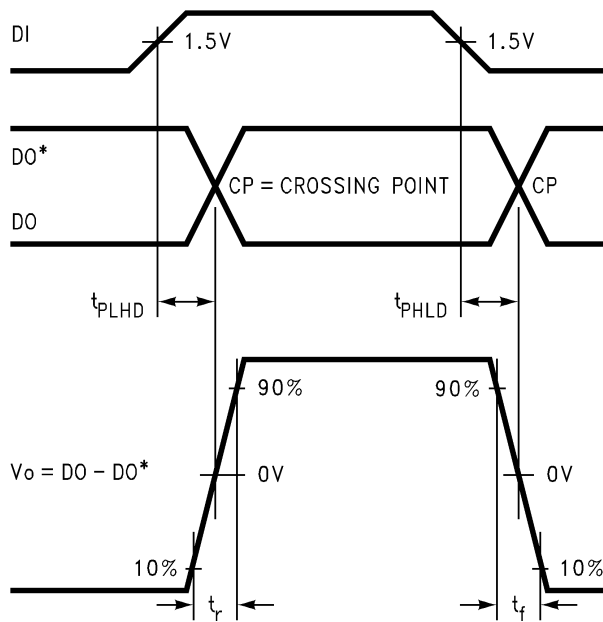


Figure 5.

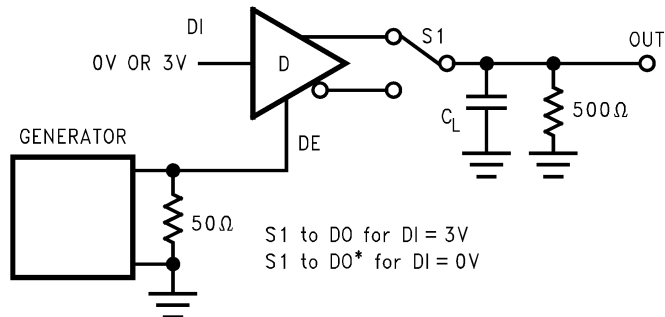


Figure 6.

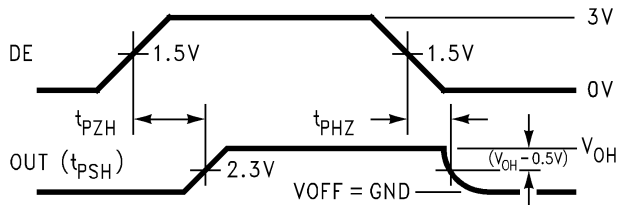


Figure 7.

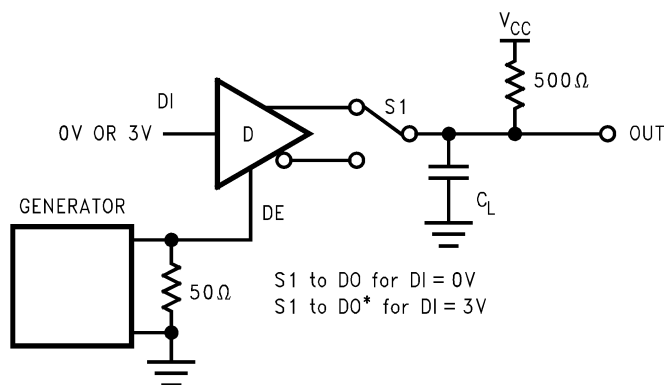


Figure 8.

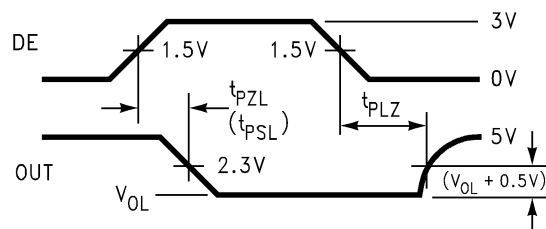


Figure 9.

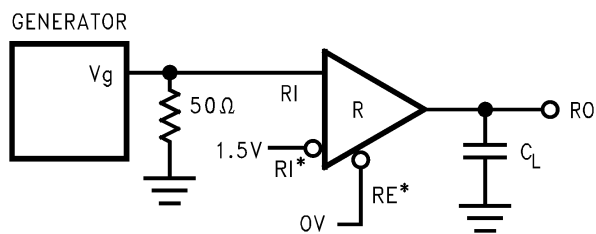


Figure 10.

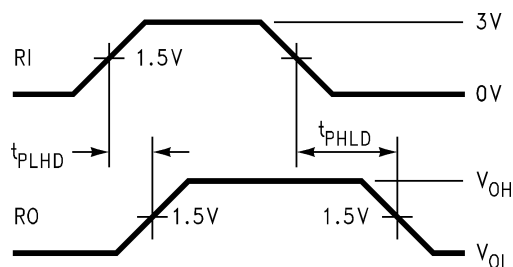


Figure 11.

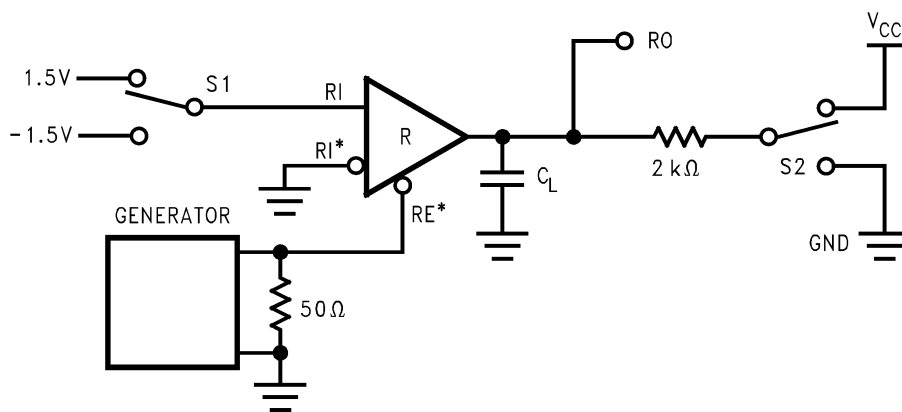


Figure 12.

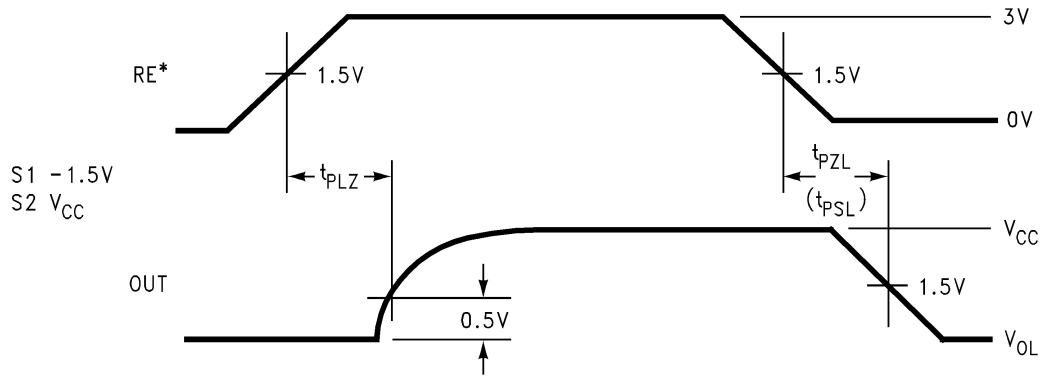


Figure 13.

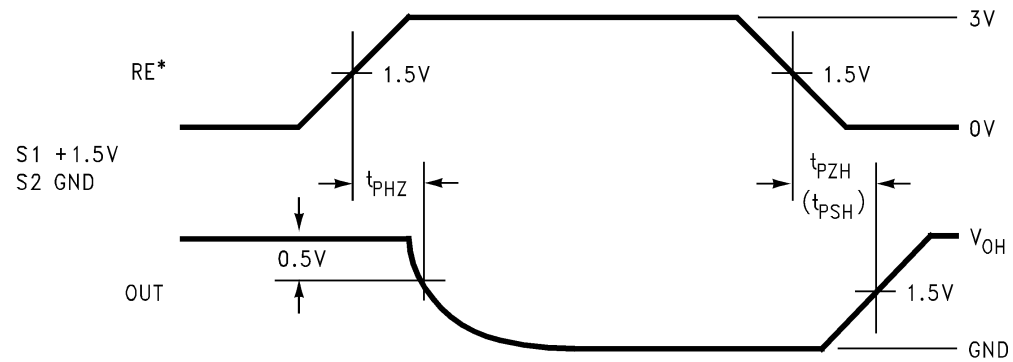
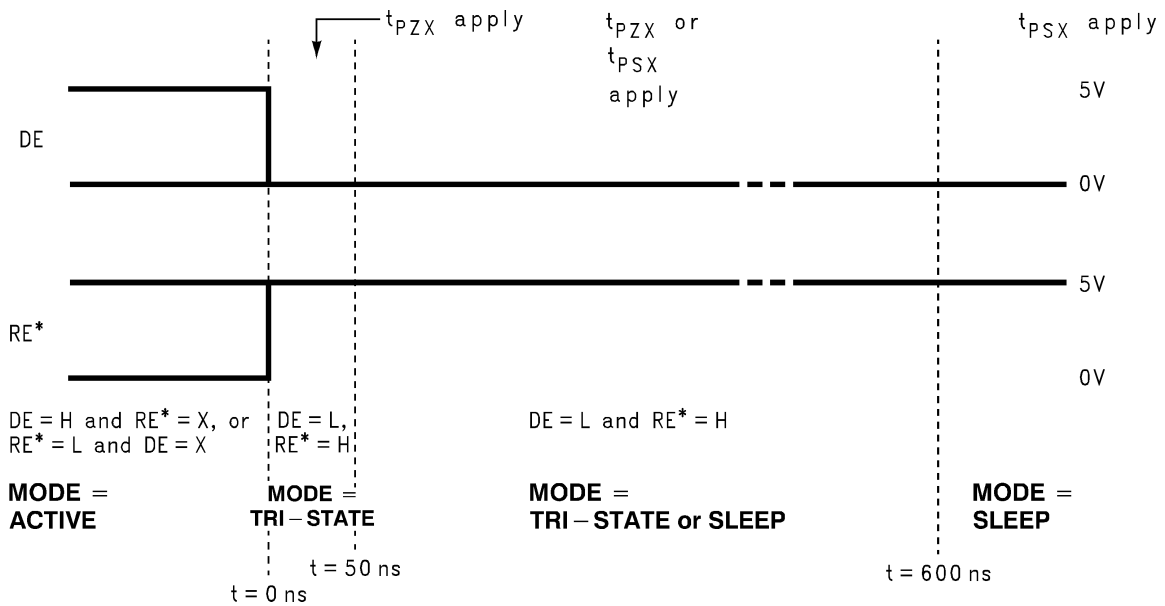


Figure 14.



\*Note: Non Terminated, Open Input only

Figure 15. Entering Sleep Mode Conditions (modes and exit parameters shown)



## Unit Load

A unit load for an RS-485 receiver is defined by the input current versus the input voltage curve. The gray shaded region is the defined operating range from  $-7\text{V}$  to  $+12\text{V}$ . The top border extending from  $-3\text{V}$  at  $0\text{ mA}$  to  $+12\text{V}$  at  $+1\text{ mA}$  is defined as one unit load. Likewise, the bottom border extending from  $+5\text{V}$  at  $0\text{ mA}$  to  $-7\text{V}$  at  $-0.8\text{ mA}$  is also defined as one unit load (see Figure 16). An RS-485 driver is capable of driving up to 32 unit loads. This allows up to 32 nodes on a single bus. Although sufficient for many applications, it is sometimes desirable to have even more nodes.

The DS481 has  $\frac{1}{2}$  unit load and will allow up to 64 nodes guaranteed over temperature.

For a  $\frac{1}{2}$  UL device the top and bottom borders shown in Figure 16 are scaled. Both  $0\text{ mA}$  reference points at  $+5\text{V}$  and  $-3\text{V}$  stay the same. The other reference points are  $+12\text{V}$  at  $+0.5\text{ mA}$  for the top border and  $-7\text{V}$  at  $-0.4\text{ mA}$  for the bottom border (see Figure 16). Again, both  $0\text{ mA}$  reference points at  $+5\text{V}$  and  $-3\text{V}$  stay the same. The other reference points are  $+12\text{V}$  at  $+0.25\text{ mA}$  for the top border and  $-7\text{V}$  at  $-0.2\text{ mA}$  for the bottom border (see Figure 16).

The advantage of the  $\frac{1}{2}$  UL device is the increased number of nodes on one bus. In a single master multi-slave type of application where the number of slaves exceeds 32, the DS481 may save in the cost of extra devices like repeaters, extra media like cable, and/or extra components like resistors.

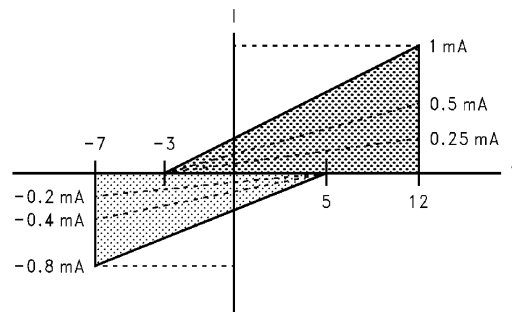


Figure 16. Input Current vs Input Voltage Operating Range

## Sleep Mode

The DS481 features an automatic sleep mode that allows the device to save power when not transmitting data. Since the sleep mode is automatic, no external components are required. It may be used as little or as much as the application requires. The more the feature is utilized, the more power it saves.

The sleep mode is automatically entered when both the driver and receiver are disabled. This occurs when both the DE pin is asserted to a logic low and the RE<sup>(7)</sup> pin is asserted to a logic high. Once both pins are asserted the device will enter sleep mode after 50 ns. The DS481 is guaranteed to go into sleep mode within 600 ns after both pins are asserted. The device wakes up (comes out of sleep mode) when either the DE pin is asserted to a logic high and/or the RE<sup>(7)</sup> pin is asserted to a logic low. After the device enters sleep mode it will take longer for the device to wake up than it does for the device to enable from TRI-STATE. Refer to datasheet specifications  $t_{PSL}$  and  $t_{PSH}$  and compare with  $t_{PZL}$  and  $t_{PZH}$  for timing differences.

The benefit of the DS481 is definitely its power savings. When active the device has a maximum  $I_{CC}$  of  $500\ \mu\text{A}$ . When in sleep mode the device has a maximum  $I_{CC}$  of only  $10\ \mu\text{A}$ , which is 50 times less power than when active. The  $I_{CC}$  when the device is active is already very low but when in sleep mode the  $I_{CC}$  is ultra low.

(7) Non Terminated, Open Input only

APPLICATIONS INFORMATION

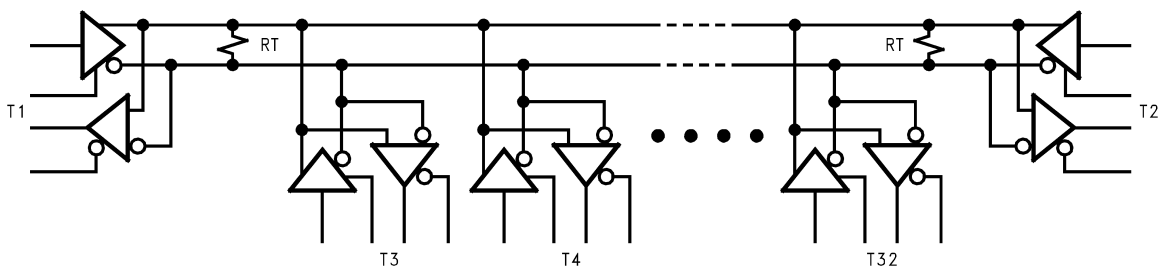


Figure 17. Multipoint RS-485 Application

---

**REVISION HISTORY**

<b>Changes from Revision A (March 2013) to Revision B</b>	<b>Page</b>
<hr/> <ul style="list-style-type: none"><li>• Changed layout of National Data Sheet to TI format .....</li></ul>	<hr/> <a href="#">10</a>

## PACKAGING INFORMATION

Orderable Device	Status (1)	Package Type	Package Drawing	Pins	Package Qty	Eco Plan (2)	Lead/Ball Finish	MSL Peak Temp (3)	Op Temp (°C)	Top-Side Markings (4)	Samples
DS481TM	ACTIVE	SOIC	D	8	95	TBD	Call TI	Call TI	-40 to 85	DS481 TM	<a href="#">Samples</a>
DS481TM/NOPB	ACTIVE	SOIC	D	8	95	Green (RoHS & no Sb/Br)	CU SN	Level-1-260C-UNLIM	-40 to 85	DS481 TM	<a href="#">Samples</a>
DS481TMX/NOPB	ACTIVE	SOIC	D	8	2500	Green (RoHS & no Sb/Br)	CU SN	Level-1-260C-UNLIM	-40 to 85	DS481 TM	<a href="#">Samples</a>

(1) The marketing status values are defined as follows:

**ACTIVE:** Product device recommended for new designs.

**LIFEBUY:** TI has announced that the device will be discontinued, and a lifetime-buy period is in effect.

**NRND:** Not recommended for new designs. Device is in production to support existing customers, but TI does not recommend using this part in a new design.

**PREVIEW:** Device has been announced but is not in production. Samples may or may not be available.

**OBSELETE:** TI has discontinued the production of the device.

(2) Eco Plan - The planned eco-friendly classification: Pb-Free (RoHS), Pb-Free (RoHS Exempt), or Green (RoHS & no Sb/Br) - please check <http://www.ti.com/productcontent> for the latest availability information and additional product content details.

**TBD:** The Pb-Free/Green conversion plan has not been defined.

**Pb-Free (RoHS):** TI's terms "Lead-Free" or "Pb-Free" mean semiconductor products that are compatible with the current RoHS requirements for all 6 substances, including the requirement that lead not exceed 0.1% by weight in homogeneous materials. Where designed to be soldered at high temperatures, TI Pb-Free products are suitable for use in specified lead-free processes.

**Pb-Free (RoHS Exempt):** This component has a RoHS exemption for either 1) lead-based flip-chip solder bumps used between the die and package, or 2) lead-based die adhesive used between the die and leadframe. The component is otherwise considered Pb-Free (RoHS compatible) as defined above.

**Green (RoHS & no Sb/Br):** TI defines "Green" to mean Pb-Free (RoHS compatible), and free of Bromine (Br) and Antimony (Sb) based flame retardants (Br or Sb do not exceed 0.1% by weight in homogeneous material)

(3) MSL, Peak Temp. -- The Moisture Sensitivity Level rating according to the JEDEC industry standard classifications, and peak solder temperature.

(4) Multiple Top-Side Markings will be inside parentheses. Only one Top-Side Marking contained in parentheses and separated by a "~" will appear on a device. If a line is indented then it is a continuation of the previous line and the two combined represent the entire Top-Side Marking for that device.

**Important Information and Disclaimer:** The information provided on this page represents TI's knowledge and belief as of the date that it is provided. TI bases its knowledge and belief on information provided by third parties, and makes no representation or warranty as to the accuracy of such information. Efforts are underway to better integrate information from third parties. TI has taken and continues to take reasonable steps to provide representative and accurate information but may not have conducted destructive testing or chemical analysis on incoming materials and chemicals. TI and TI suppliers consider certain information to be proprietary, and thus CAS numbers and other limited information may not be available for release.

In no event shall TI's liability arising out of such information exceed the total purchase price of the TI part(s) at issue in this document sold by TI to Customer on an annual basis.

## TAPE AND REEL INFORMATION



### QUADRANT ASSIGNMENTS FOR PIN 1 ORIENTATION IN TAPE



\*All dimensions are nominal

Device	Package Type	Package Drawing	Pins	SPQ	Reel Diameter (mm)	Reel Width W1 (mm)	A0 (mm)	B0 (mm)	K0 (mm)	P1 (mm)	W (mm)	Pin1 Quadrant
DS481TMX/NOPB	SOIC	D	8	2500	330.0	12.4	6.5	5.4	2.0	8.0	12.0	Q1

TAPE AND REEL BOX DIMENSIONS



\*All dimensions are nominal

Device	Package Type	Package Drawing	Pins	SPQ	Length (mm)	Width (mm)	Height (mm)
DS481TMX/NOPB	SOIC	D	8	2500	349.0	337.0	45.0

D (R-PDSO-G8)

PLASTIC SMALL OUTLINE



- NOTES:
- A. All linear dimensions are in inches (millimeters).
  - B. This drawing is subject to change without notice.
  - C. Body length does not include mold flash, protrusions, or gate burrs. Mold flash, protrusions, or gate burrs shall not exceed 0.006 (0,15) each side.
  - D. Body width does not include interlead flash. Interlead flash shall not exceed 0.017 (0,43) each side.
  - E. Reference JEDEC MS-012 variation AA.

## IMPORTANT NOTICE

Texas Instruments Incorporated and its subsidiaries (TI) reserve the right to make corrections, enhancements, improvements and other changes to its semiconductor products and services per JESD46, latest issue, and to discontinue any product or service per JESD48, latest issue. Buyers should obtain the latest relevant information before placing orders and should verify that such information is current and complete. All semiconductor products (also referred to herein as "components") are sold subject to TI's terms and conditions of sale supplied at the time of order acknowledgment.

TI warrants performance of its components to the specifications applicable at the time of sale, in accordance with the warranty in TI's terms and conditions of sale of semiconductor products. Testing and other quality control techniques are used to the extent TI deems necessary to support this warranty. Except where mandated by applicable law, testing of all parameters of each component is not necessarily performed.

TI assumes no liability for applications assistance or the design of Buyers' products. Buyers are responsible for their products and applications using TI components. To minimize the risks associated with Buyers' products and applications, Buyers should provide adequate design and operating safeguards.

TI does not warrant or represent that any license, either express or implied, is granted under any patent right, copyright, mask work right, or other intellectual property right relating to any combination, machine, or process in which TI components or services are used. Information published by TI regarding third-party products or services does not constitute a license to use such products or services or a warranty or endorsement thereof. Use of such information may require a license from a third party under the patents or other intellectual property of the third party, or a license from TI under the patents or other intellectual property of TI.

Reproduction of significant portions of TI information in TI data books or data sheets is permissible only if reproduction is without alteration and is accompanied by all associated warranties, conditions, limitations, and notices. TI is not responsible or liable for such altered documentation. Information of third parties may be subject to additional restrictions.

Resale of TI components or services with statements different from or beyond the parameters stated by TI for that component or service voids all express and any implied warranties for the associated TI component or service and is an unfair and deceptive business practice. TI is not responsible or liable for any such statements.

Buyer acknowledges and agrees that it is solely responsible for compliance with all legal, regulatory and safety-related requirements concerning its products, and any use of TI components in its applications, notwithstanding any applications-related information or support that may be provided by TI. Buyer represents and agrees that it has all the necessary expertise to create and implement safeguards which anticipate dangerous consequences of failures, monitor failures and their consequences, lessen the likelihood of failures that might cause harm and take appropriate remedial actions. Buyer will fully indemnify TI and its representatives against any damages arising out of the use of any TI components in safety-critical applications.

In some cases, TI components may be promoted specifically to facilitate safety-related applications. With such components, TI's goal is to help enable customers to design and create their own end-product solutions that meet applicable functional safety standards and requirements. Nonetheless, such components are subject to these terms.

No TI components are authorized for use in FDA Class III (or similar life-critical medical equipment) unless authorized officers of the parties have executed a special agreement specifically governing such use.

Only those TI components which TI has specifically designated as military grade or "enhanced plastic" are designed and intended for use in military/aerospace applications or environments. Buyer acknowledges and agrees that any military or aerospace use of TI components which have **not** been so designated is solely at the Buyer's risk, and that Buyer is solely responsible for compliance with all legal and regulatory requirements in connection with such use.

TI has specifically designated certain components as meeting ISO/TS16949 requirements, mainly for automotive use. In any case of use of non-designated products, TI will not be responsible for any failure to meet ISO/TS16949.

### Products

Audio	<a href="http://www.ti.com/audio">www.ti.com/audio</a>
Amplifiers	<a href="http://amplifier.ti.com">amplifier.ti.com</a>
Data Converters	<a href="http://dataconverter.ti.com">dataconverter.ti.com</a>
DLP® Products	<a href="http://www.dlp.com">www.dlp.com</a>
DSP	<a href="http://dsp.ti.com">dsp.ti.com</a>
Clocks and Timers	<a href="http://www.ti.com/clocks">www.ti.com/clocks</a>
Interface	<a href="http://interface.ti.com">interface.ti.com</a>
Logic	<a href="http://logic.ti.com">logic.ti.com</a>
Power Mgmt	<a href="http://power.ti.com">power.ti.com</a>
Microcontrollers	<a href="http://microcontroller.ti.com">microcontroller.ti.com</a>
RFID	<a href="http://www.ti-rfid.com">www.ti-rfid.com</a>
OMAP Applications Processors	<a href="http://www.ti.com/omap">www.ti.com/omap</a>
Wireless Connectivity	<a href="http://www.ti.com/wirelessconnectivity">www.ti.com/wirelessconnectivity</a>

### Applications

Automotive and Transportation	<a href="http://www.ti.com/automotive">www.ti.com/automotive</a>
Communications and Telecom	<a href="http://www.ti.com/communications">www.ti.com/communications</a>
Computers and Peripherals	<a href="http://www.ti.com/computers">www.ti.com/computers</a>
Consumer Electronics	<a href="http://www.ti.com/consumer-apps">www.ti.com/consumer-apps</a>
Energy and Lighting	<a href="http://www.ti.com/energy">www.ti.com/energy</a>
Industrial	<a href="http://www.ti.com/industrial">www.ti.com/industrial</a>
Medical	<a href="http://www.ti.com/medical">www.ti.com/medical</a>
Security	<a href="http://www.ti.com/security">www.ti.com/security</a>
Space, Avionics and Defense	<a href="http://www.ti.com/space-avionics-defense">www.ti.com/space-avionics-defense</a>
Video and Imaging	<a href="http://www.ti.com/video">www.ti.com/video</a>

### TI E2E Community

[e2e.ti.com](http://e2e.ti.com)