

## DS91D176/DS91C176 100 MHz Single Channel M-LVDS Transceivers

Check for Samples: [DS91C176](#), [DS91D176](#)

### FEATURES

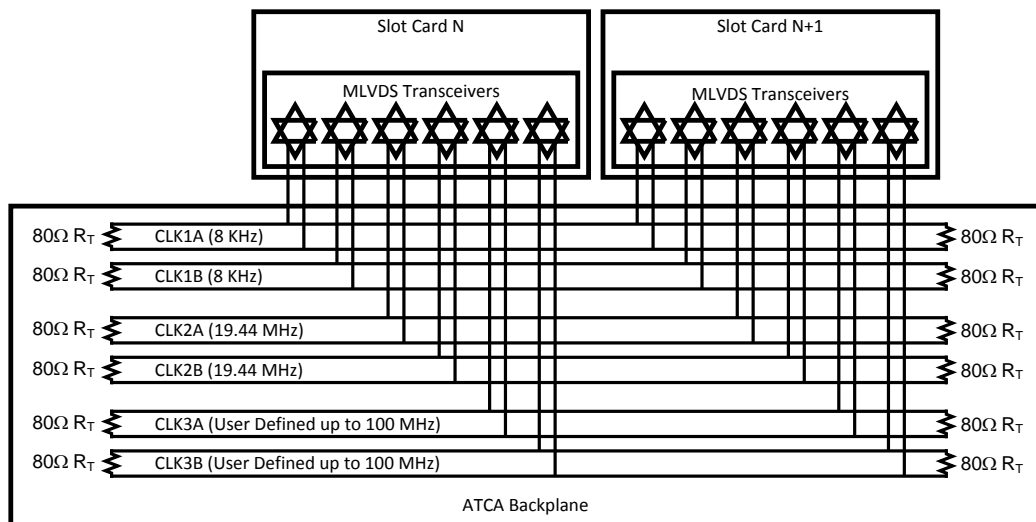
- DC to 100+ MHz / 200+ Mbps Low Power, Low EMI Operation
- Optimal for ATCA, uTCA Clock Distribution Networks
- Meets or Exceeds TIA/EIA-899 M-LVDS Standard
- Wide Input Common Mode Voltage for Increased Noise Immunity
- DS91D176 has Type 1 Receiver Input
- DS91C176 has Type 2 Receiver with Fail-safe
- Industrial Temperature Range
- Space Saving SOIC-8 Package

### DESCRIPTION

The DS91C176 and DS91D176 are 100 MHz single channel M-LVDS (Multipoint Low Voltage Differential Signaling) transceivers designed for applications that utilize multipoint networks (e.g. clock distribution in ATCA and uTCA based systems). M-LVDS is a new bus interface standard (TIA/EIA-899) optimized for multidrop networks. Controlled edge rates, tight input receiver thresholds and increased drive strength are some of the key enhancements that make M-LVDS devices an ideal choice for distributing signals via multipoint networks.

The DS91C176/DS91D176 are half-duplex transceivers that accept LVTTTL/LVCMOS signals at the driver inputs and convert them to differential M-LVDS signals. The receiver inputs accept low voltage differential signals (LVDS, B-LVDS, M-LVDS, LV-PECL and CML) and convert them to 3V LVCMOS signals. The DS91D176 has a M-LVDS type 1 receiver input with no offset. The DS91C176 has an M-LVDS type 2 receiver which enable failsafe functionality.

### Typical Application in an ATCA Clock Distribution Network



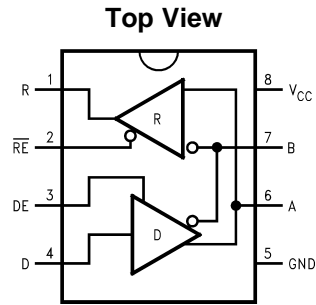
**Figure 1. System Diagram**



Please be aware that an important notice concerning availability, standard warranty, and use in critical applications of Texas Instruments semiconductor products and disclaimers thereto appears at the end of this data sheet.

All trademarks are the property of their respective owners.

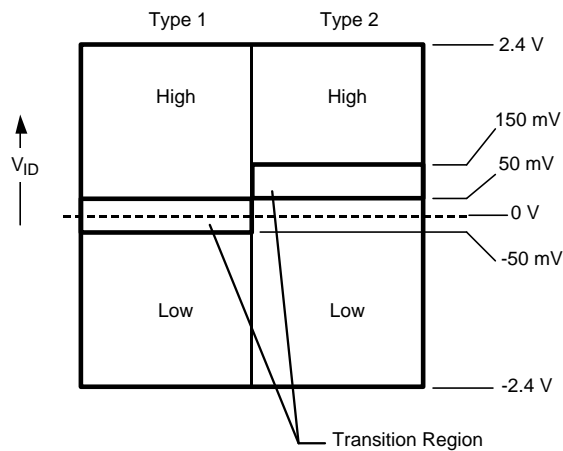
### Connection and Logic Diagram



**Figure 2. SOIC Package**  
See Package Number D0008A

### M-LVDS Receiver Types

The EIA/TIA-899 M-LVDS standard specifies two different types of receiver input stages. A type 1 receiver has a conventional threshold that is centered at the midpoint of the input amplitude,  $V_{ID}/2$ . A type 2 receiver has a built in offset that is 100mV greater than  $V_{ID}/2$ . The type 2 receiver offset acts as a failsafe circuit where open or short circuits at the input will always result in the output stage being driven to a low logic state.



**Figure 3. M-LVDS Receiver Input Thresholds**



These devices have limited built-in ESD protection. The leads should be shorted together or the device placed in conductive foam during storage or handling to prevent electrostatic damage to the MOS gates.

**Absolute Maximum Ratings** <sup>(1)(2)</sup>

Supply Voltage, $V_{CC}$	-0.3V to +4V
Control Input Voltages	-0.3V to ( $V_{CC} + 0.3V$ )
Driver Input Voltage	-0.3V to ( $V_{CC} + 0.3V$ )
Driver Output Voltages	-1.8V to +4.1V
Receiver Input Voltages	-1.8V to +4.1V
Receiver Output Voltage	-0.3V to ( $V_{CC} + 0.3V$ )
Maximum Package Power Dissipation at +25°C	
SOIC Package	833 mW
Derate SOIC Package	6.67 mW/°C above +25°C
Thermal Resistance (4-Layer, 2 oz. Cu, JEDEC)	
$\theta_{JA}$	150°C/W
$\theta_{JC}$	63°C/W
Maximum Junction Temperature	150°C
Storage Temperature Range	-65°C to +150°C
Lead Temperature (Soldering, 4 seconds)	260°C
ESD Ratings: (HBM 1.5k $\Omega$ , 100pF)	
	$\geq 8$ kV
(EIAJ 0 $\Omega$ , 200pF)	
	$\geq 250$ V
(CDM 0 $\Omega$ , 0pF)	
	$\geq 1000$ V

- (1) "Absolute Maximum Ratings" are those beyond which the safety of the device cannot be verified. They are not meant to imply that the device should be operated at these limits. The tables of "Electrical Characteristics" provide conditions for actual device operation.
- (2) If Military/Aerospace specified devices are required, please contact the TI Sales Office/Distributors for availability and specifications.

**Recommended Operating Conditions**

	Min	Typ	Max	Units
Supply Voltage, $V_{CC}$	3.0	3.3	3.6	V
Voltage at Any Bus Terminal (Separate or Common-Mode)	-1.4		+3.8	V
Differential Input Voltage $V_{ID}$			2.4	V
LVTTTL Input Voltage High $V_{IH}$	2.0		$V_{CC}$	V
LVTTTL Input Voltage Low $V_{IL}$	0		0.8	V
Operating Free Air Temperature $T_A$	-40	+25	+85	°C

**Electrical Characteristics**

Over recommended operating supply and temperature ranges unless otherwise specified. <sup>(1) (2) (3) (4)</sup>

Parameter		Test Conditions	Min	Typ	Max	Units
<b>M-LVDS Driver</b>						
$ V_{AB} $	Differential output voltage magnitude	$R_L = 50\Omega$ , $C_L = 5pF$ See <a href="#">Figure 4</a> and <a href="#">Figure 6</a>	480		650	mV
$\Delta V_{AB}$	Change in differential output voltage magnitude between logic states		-50	0	+50	mV
$V_{OS(SS)}$	Steady-state common-mode output voltage	$R_L = 50\Omega$ , $C_L = 5pF$ See <a href="#">Figure 4</a> and <a href="#">Figure 5</a> ( $V_{OS(PP)}$ @ 500KHz clock)	0.3	1.8	2.1	V
$ \Delta V_{OS(SS)} $	Change in steady-state common-mode output voltage between logic states		0		+50	mV
$V_{OS(PP)}$	Peak-to-peak common-mode output voltage			135		mV
$V_{A(OC)}$	Maximum steady-state open-circuit output voltage	See <a href="#">Figure 7</a>	0		2.4	V
$V_{B(OC)}$	Maximum steady-state open-circuit output voltage		0		2.4	V

- (1) All currents into device pins are positive; all currents out of device pins are negative. All voltages are referenced to device ground unless otherwise specified.
- (2) All typicals are given for  $V_{CC} = 3.3V$  and  $T_A = 25^\circ C$ .
- (3) The algebraic convention, in which the least positive (most negative) limit is designated as minimum, is used in this datasheet.
- (4)  $C_L$  includes fixture capacitance and  $C_D$  includes probe capacitance.

## Electrical Characteristics (continued)

Over recommended operating supply and temperature ranges unless otherwise specified. <sup>(1)</sup> <sup>(2)</sup> <sup>(3)</sup> <sup>(4)</sup>

Parameter		Test Conditions	Min	Typ	Max	Units	
V <sub>P(H)</sub>	Voltage overshoot, low-to-high level output	R <sub>L</sub> = 50Ω, C <sub>L</sub> = 5pF, C <sub>D</sub> = 0.5pF			1.2V <sub>SS</sub>	V	
V <sub>P(L)</sub>	Voltage overshoot, high-to-low level output	See Figure 9 and Figure 10 <sup>(5)</sup>	-0.2V <sub>SS</sub>			V	
I <sub>IH</sub>	High-level input current (LVTTTL inputs)	V <sub>IH</sub> = 2.0V	-15		15	μA	
I <sub>IL</sub>	Low-level input current (LVTTTL inputs)	V <sub>IL</sub> = 0.8V	-15		15	μA	
V <sub>IKL</sub>	Input Clamp Voltage (LVTTTL inputs)	I <sub>IN</sub> = -18mA	-1.5			V	
I <sub>OS</sub>	Differential short-circuit output current	See Figure 8	-43		43	mA	
<b>M-LVDS Receiver</b>							
V <sub>IT+</sub>	Positive-going differential input voltage threshold	See FUNCTION TABLES	Type 1		20	50	mV
			Type 2		94	150	mV
V <sub>IT-</sub>	Negative-going differential input voltage threshold	See FUNCTION TABLES	Type 1	-50	20		mV
			Type 2	50	94		mV
V <sub>OH</sub>	High-level output voltage (LVTTTL output)	I <sub>OH</sub> = -8mA	2.4	2.7		V	
V <sub>OL</sub>	Low-level output voltage (LVTTTL output)	I <sub>OL</sub> = 8mA		0.28	0.4	V	
I <sub>OZ</sub>	TRI-STATE output current	V <sub>O</sub> = 0V or 3.6V	-10		10	μA	
I <sub>OSR</sub>	Short-circuit receiver output current (LVTTTL output)	V <sub>O</sub> = 0V		-48	-90	mA	
<b>M-LVDS Bus (Input and Output) Pins</b>							
I <sub>A</sub>	Transceiver input/output current	V <sub>A</sub> = 3.8V, V <sub>B</sub> = 1.2V			32	μA	
		V <sub>A</sub> = 0V or 2.4V, V <sub>B</sub> = 1.2V	-20		+20	μA	
		V <sub>A</sub> = -1.4V, V <sub>B</sub> = 1.2V	-32			μA	
I <sub>B</sub>	Transceiver input/output current	V <sub>B</sub> = 3.8V, V <sub>A</sub> = 1.2V			32	μA	
		V <sub>B</sub> = 0V or 2.4V, V <sub>A</sub> = 1.2V	-20		+20	μA	
		V <sub>B</sub> = -1.4V, V <sub>A</sub> = 1.2V	-32			μA	
I <sub>AB</sub>	Transceiver input/output differential current (I <sub>A</sub> - I <sub>B</sub> )	V <sub>A</sub> = V <sub>B</sub> , -1.4V ≤ V ≤ 3.8V	-4		+4	μA	
I <sub>A(OFF)</sub>	Transceiver input/output power-off current	V <sub>A</sub> = 3.8V, V <sub>B</sub> = 1.2V, DE = V <sub>CC</sub> 0V ≤ V <sub>CC</sub> ≤ 1.5V			32	μA	
		V <sub>A</sub> = 0V or 2.4V, V <sub>B</sub> = 1.2V, DE = V <sub>CC</sub> 0V ≤ V <sub>CC</sub> ≤ 1.5V	-20		+20	μA	
		V <sub>A</sub> = -1.4V, V <sub>B</sub> = 1.2V, DE = V <sub>CC</sub> 0V ≤ V <sub>CC</sub> ≤ 1.5V	-32			μA	
I <sub>B(OFF)</sub>	Transceiver input/output power-off current	V <sub>B</sub> = 3.8V, V <sub>A</sub> = 1.2V, DE = V <sub>CC</sub> 0V ≤ V <sub>CC</sub> ≤ 1.5V			32	μA	
		V <sub>B</sub> = 0V or 2.4V, V <sub>A</sub> = 1.2V, DE = V <sub>CC</sub> 0V ≤ V <sub>CC</sub> ≤ 1.5V	-20		+20	μA	
		V <sub>B</sub> = -1.4V, V <sub>A</sub> = 1.2V, DE = V <sub>CC</sub> 0V ≤ V <sub>CC</sub> ≤ 1.5V	-32			μA	
I <sub>AB(OFF)</sub>	Transceiver input/output power-off differential current (I <sub>A(OFF)</sub> - I <sub>B(OFF)</sub> )	V <sub>A</sub> = V <sub>B</sub> , -1.4V ≤ V ≤ 3.8V, DE = V <sub>CC</sub> 0V ≤ V <sub>CC</sub> ≤ 1.5V	-4		+4	μA	
C <sub>A</sub>	Transceiver input/output capacitance	V <sub>CC</sub> = OPEN		9		pF	
C <sub>B</sub>	Transceiver input/output capacitance			9		pF	
C <sub>AB</sub>	Transceiver input/output differential capacitance			5.7		pF	
C <sub>A/B</sub>	Transceiver input/output capacitance balance (C <sub>A</sub> /C <sub>B</sub> )			1.0			

(5) Not production tested. Specified by a statistical analysis on a sample basis at the time of characterization.

## Electrical Characteristics (continued)

 Over recommended operating supply and temperature ranges unless otherwise specified. <sup>(1)</sup> <sup>(2)</sup> <sup>(3)</sup> <sup>(4)</sup>

Parameter		Test Conditions	Min	Typ	Max	Units
<b>SUPPLY CURRENT (V<sub>CC</sub>)</b>						
I <sub>CCD</sub>	Driver Supply Current	R <sub>L</sub> = 50Ω, DE = V <sub>CC</sub> , $\overline{RE} = V_{CC}$		20	29.5	mA
I <sub>CCZ</sub>	TRI-STATE Supply Current	DE = GND, $\overline{RE} = V_{CC}$		6	9.0	mA
I <sub>CCR</sub>	Receiver Supply Current	DE = GND, $\overline{RE} = GND$		14	18.5	mA

## Switching Characteristics

 Over recommended operating supply and temperature ranges unless otherwise specified. <sup>(1)</sup> <sup>(2)</sup>

Parameter		Test Conditions	Min	Typ	Max	Units
<b>DRIVER AC SPECIFICATION</b>						
t <sub>PLH</sub>	Differential Propagation Delay Low to High	R <sub>L</sub> = 50Ω, C <sub>L</sub> = 5 pF, C <sub>D</sub> = 0.5 pF Figure 9 and Figure 10	1.3	3.4	5.0	ns
t <sub>PHL</sub>	Differential Propagation Delay High to Low		1.3	3.1	5.0	ns
t <sub>SKD1</sub> (t <sub>sk(p)</sub> )	Pulse Skew  t <sub>PLHD</sub> - t <sub>PHLD</sub>   <sup>(3)</sup> <sup>(4)</sup>			300	420	ps
t <sub>SKD3</sub>	Part-to-Part Skew <sup>(5)</sup> <sup>(5)</sup>				1.3	ns
t <sub>TLH</sub> (t <sub>r</sub> )	Rise Time <sup>(4)</sup>		1.0	1.8	3.0	ns
t <sub>THL</sub> (t <sub>f</sub> )	Fall Time <sup>(4)</sup>		1.0	1.8	3.0	ns
t <sub>PZH</sub>	Enable Time (Z to Active High)	R <sub>L</sub> = 50Ω, C <sub>L</sub> = 5 pF, C <sub>D</sub> = 0.5 pF See Figure 11 and Figure 12			8	ns
t <sub>PZL</sub>	Enable Time (Z to Active Low)				8	ns
t <sub>PLZ</sub>	Disable Time (Active Low to Z)				8	ns
t <sub>PHZ</sub>	Disable Time (Active High to Z)				8	ns
t <sub>JIT</sub>	Random Jitter, RJ <sup>(4)</sup>	100 MHz Clock Pattern <sup>(6)</sup>		2.5	5.5	psrms
f <sub>MAX</sub>	Maximum Data Rate		200			Mbps
<b>RECEIVER AC SPECIFICATION</b>						
t <sub>PLH</sub>	Propagation Delay Low to High	C <sub>L</sub> = 15 pF See Figure 13, Figure 14 and Figure 15	2.0	4.7	7.5	ns
t <sub>PHL</sub>	Propagation Delay High to Low		2.0	5.3	7.5	ns
t <sub>SKD1</sub> (t <sub>sk(p)</sub> )	Pulse Skew  t <sub>PLHD</sub> - t <sub>PHLD</sub>   <sup>(3)</sup> <sup>(4)</sup>			0.6	1.7	ns
t <sub>SKD3</sub>	Part-to-Part Skew <sup>(5)</sup> <sup>(4)</sup>				1.3	ns
t <sub>TLH</sub> (t <sub>r</sub> )	Rise Time <sup>(4)</sup>		0.5	1.2	2.5	ns
t <sub>THL</sub> (t <sub>f</sub> )	Fall Time <sup>(4)</sup>		0.5	1.2	2.5	ns
t <sub>PZH</sub>	Enable Time (Z to Active High)	R <sub>L</sub> = 500Ω, C <sub>L</sub> = 15 pF See Figure 16 and Figure 17			10	ns
t <sub>PZL</sub>	Enable Time (Z to Active Low)				10	ns
t <sub>PLZ</sub>	Disable Time (Active Low to Z)				10	ns
t <sub>PHZ</sub>	Disable Time (Active High to Z)				10	ns
f <sub>MAX</sub>	Maximum Data Rate		200			Mbps

(1) All typicals are given for V<sub>CC</sub> = 3.3V and T<sub>A</sub> = 25°C.

(2) C<sub>L</sub> includes fixture capacitance and C<sub>D</sub> includes probe capacitance.

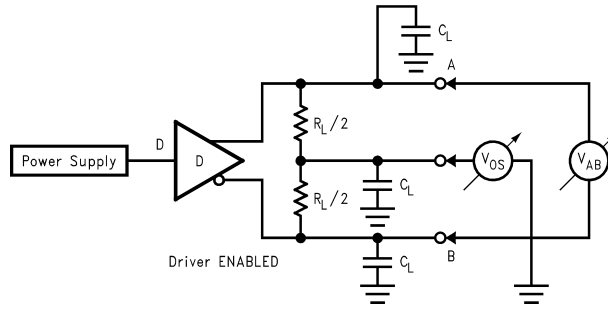
(3) t<sub>SKD1</sub>, |t<sub>PLHD</sub> - t<sub>PHLD</sub>|, is the magnitude difference in differential propagation delay time between the positive going edge and the negative going edge of the same channel.

(4) Not production tested. Specified by a statistical analysis on a sample basis at the time of characterization.

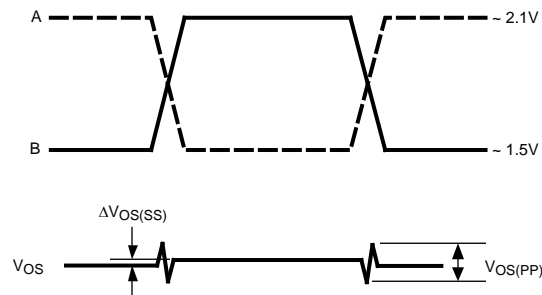
(5) t<sub>SKD3</sub>, Part-to-Part Skew, is defined as the difference between the minimum and maximum specified differential propagation delays. This specification applies to devices at the same V<sub>CC</sub> and within 5°C of each other within the operating temperature range.

(6) Stimulus and fixture Jitter has been subtracted.

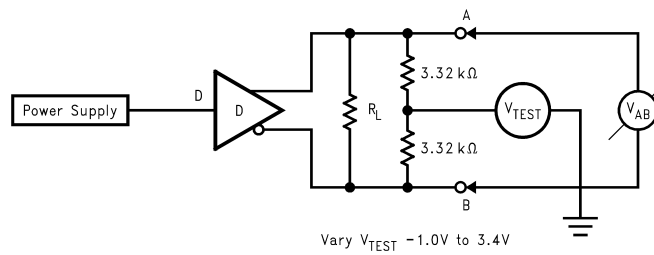
**Test Circuits and Waveforms**



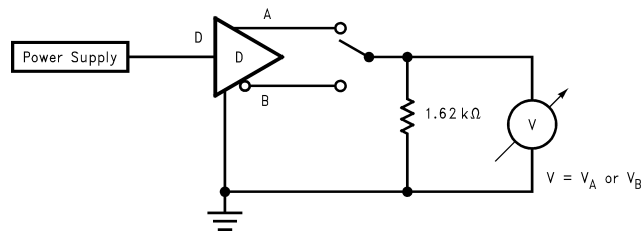
**Figure 4. Differential Driver Test Circuit**



**Figure 5. Differential Driver Waveforms**



**Figure 6. Differential Driver Full Load Test Circuit**



**Figure 7. Differential Driver DC Open Test Circuit**

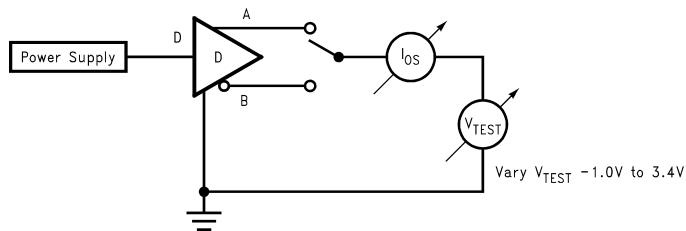


Figure 8. Differential Driver Short-Circuit Test Circuit

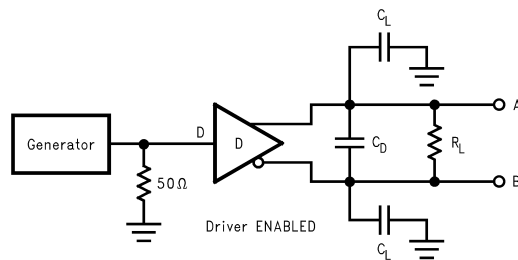


Figure 9. Driver Propagation Delay and Transition Time Test Circuit

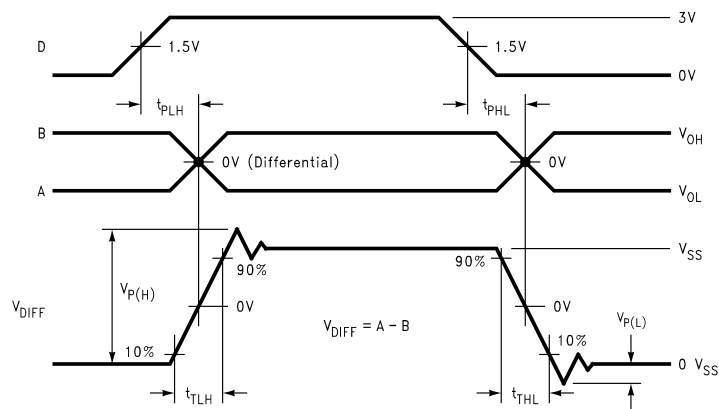


Figure 10. Driver Propagation Delays and Transition Time Waveforms

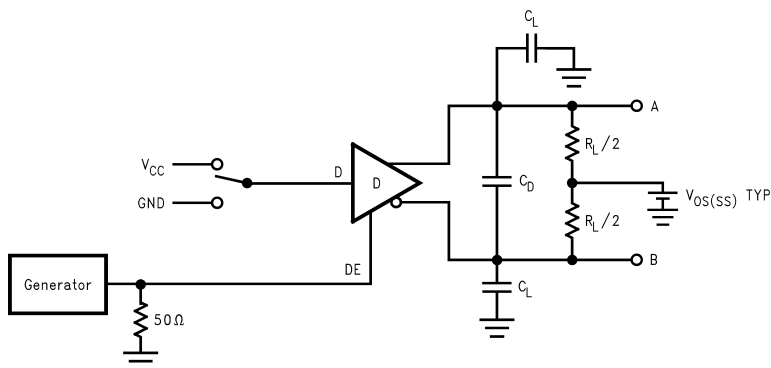


Figure 11. Driver TRI-STATE Delay Test Circuit

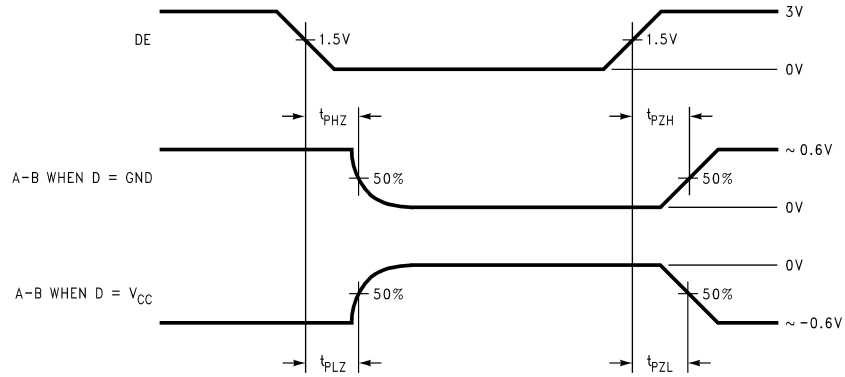


Figure 12. Driver TRI-STATE Delay Waveforms

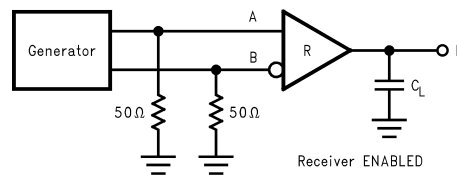


Figure 13. Receiver Propagation Delay and Transition Time Test Circuit

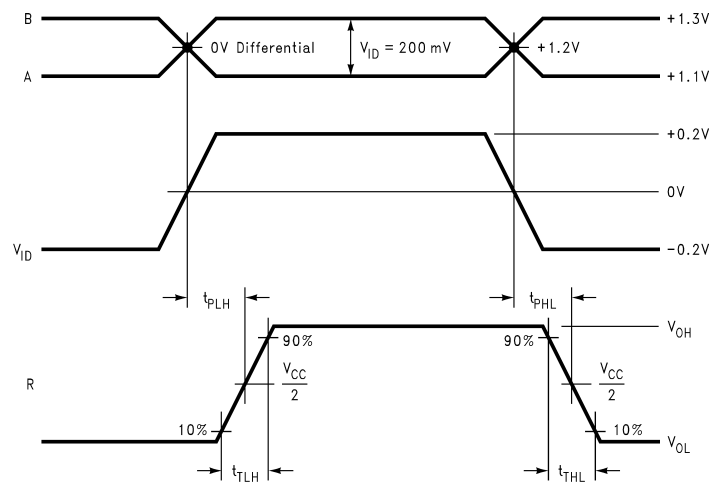


Figure 14. Type 1 Receiver Propagation Delay and Transition Time Waveforms



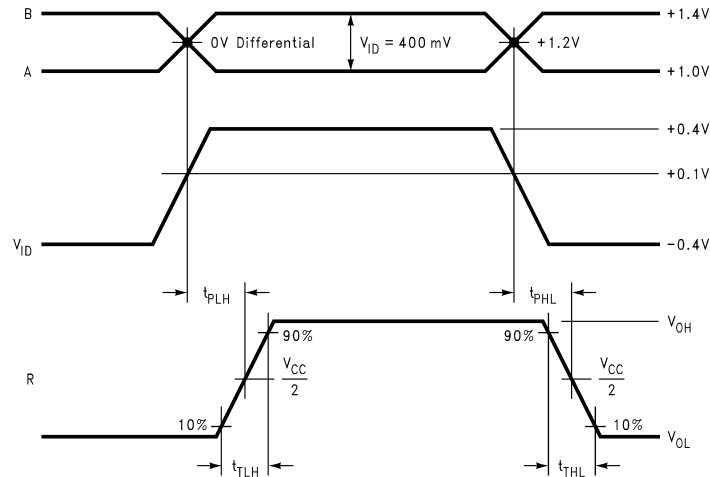


Figure 15. Type 2 Receiver Propagation Delay and Transition Time Waveforms

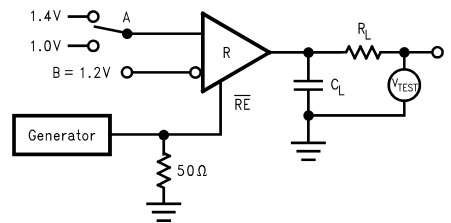


Figure 16. Receiver TRI-STATE Delay Test Circuit

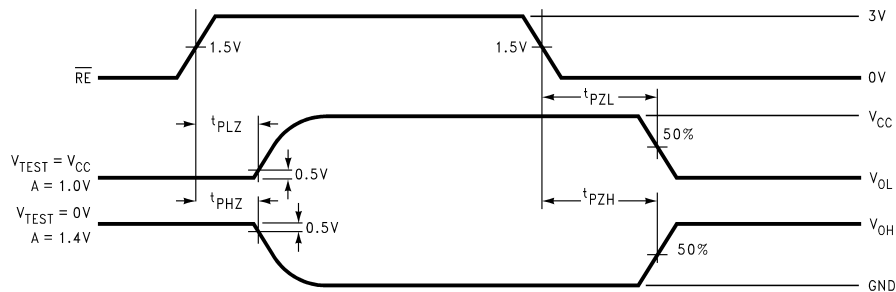


Figure 17. Receiver TRI-STATE Delay Waveforms

FUNCTION TABLES

Table 1. DS91D176/DS91C176 Transmitting<sup>(1)</sup>

Inputs			Outputs	
RE	DE	D	B	A
X	2.0V	2.0V	L	H
X	2.0V	0.8V	H	L
X	0.8V	X	Z	Z

(1) X — Don't care condition  
Z — High impedance state

**Table 2. DS91D176 Receiving<sup>(1)</sup>**

Inputs			Output
$\overline{RE}$	DE	A – B	R
0.8V	0.8V	$\geq +0.05V$	H
0.8V	0.8V	$\leq -0.05V$	L
0.8V	0.8V	0V	X
2.0V	0.8V	X	Z

- (1) X — Don't care condition  
Z — High impedance state

**Table 3. DS91C176 Receiving<sup>(1)</sup>**

Inputs			Output
$\overline{RE}$	DE	A – B	R
0.8V	0.8V	$\geq +0.15V$	H
0.8V	0.8V	$\leq +0.05V$	L
0.8V	0.8V	0V	L
2.0V	0.8V	X	Z

- (1) X — Don't care condition  
Z — High impedance state

**Table 4. DS91D176 Receiver Input Threshold Test Voltages<sup>(1)</sup>**

Applied Voltages		Resulting Differential Input Voltage	Resulting Common-Mode Input Voltage	Receiver Output
$V_{IA}$	$V_{IB}$	$V_{ID}$	$V_{IC}$	R
2.400V	0.000V	2.400V	1.200V	H
0.000V	2.400V	-2.400V	1.200V	L
3.800V	3.750V	0.050V	3.775V	H
3.750V	3.800V	-0.050V	3.775V	L
-1.400V	-1.350V	-0.050V	-1.375V	H
-1.350V	-1.400V	0.050V	-1.375V	L

- (1) H — High Level  
L — Low Level  
Output state assumes that the receiver is enabled ( $\overline{RE} = L$ )

**Table 5. DS91C176 Receiver Input Threshold Test Voltages<sup>(1)</sup>**

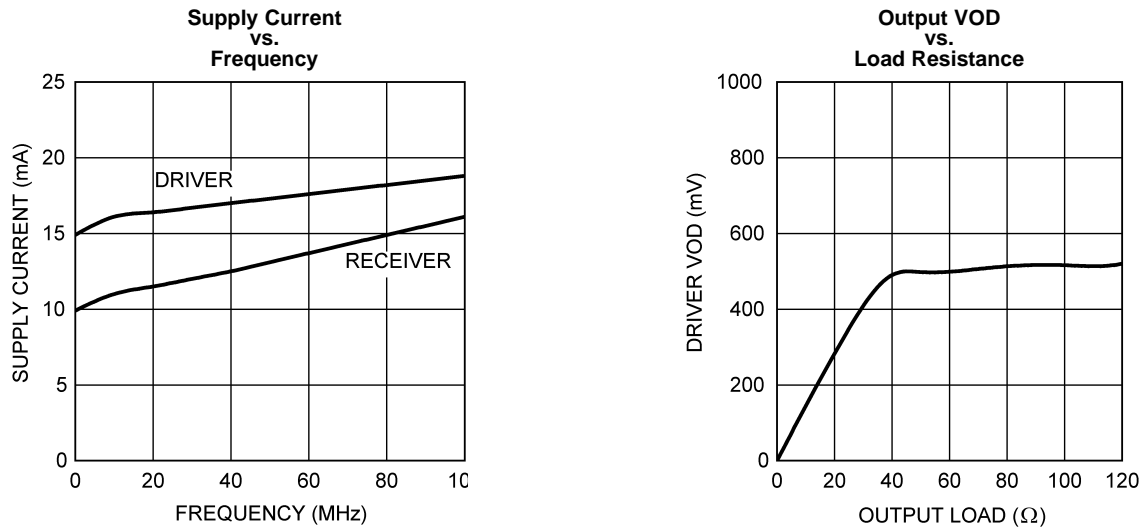
Applied Voltages		Resulting Differential Input Voltage	Resulting Common-Mode Input Voltage	Receiver Output
$V_{IA}$	$V_{IB}$	$V_{ID}$	$V_{IC}$	R
2.400V	0.000V	2.400V	1.200V	H
0.000V	2.400V	-2.400V	1.200V	L
3.800V	3.650V	0.150V	3.725V	H
3.800V	3.750V	0.050V	3.775V	L
-1.250V	-1.400V	0.150V	-1.325V	H
-1.350V	-1.400V	0.050V	-1.375V	L

- (1) H — High Level  
L — Low Level  
Output state assumes that the receiver is enabled ( $\overline{RE} = L$ )

**PIN DESCRIPTIONS**

Pin No.	Name	Description
1	R	Receiver output pin
2	$\overline{RE}$	Receiver enable pin: When $\overline{RE}$ is high, the receiver is disabled. When $\overline{RE}$ is low or open, the receiver is enabled.
3	DE	Driver enable pin: When DE is low, the driver is disabled. When DE is high, the driver is enabled.
4	D	Driver input pin
5	GND	Ground pin
6	A	Non-inverting driver output pin/Non-inverting receiver input pin
7	B	Inverting driver output pin/Inverting receiver input pin
8	$V_{CC}$	Power supply pin, +3.3V $\pm$ 0.3V

**Typical Performance Characteristics – DS91D176/DS91C176**



Supply Current measured using a clock pattern with driver terminated to 50ohms .  $V_{CC} = 3.3V$ ,  $T_A = +25^{\circ}C$

**Figure 18.**

**Figure 19.**

---

**REVISION HISTORY**

<b>Changes from Revision K (April 2013) to Revision L</b>	<b>Page</b>
• Changed layout of National Data Sheet to TI format .....	<a href="#">12</a>

---

**PACKAGING INFORMATION**

Orderable Device	Status (1)	Package Type	Package Drawing	Pins	Package Qty	Eco Plan (2)	Lead/Ball Finish	MSL Peak Temp (3)	Op Temp (°C)	Top-Side Markings (4)	Samples
DS91C176TMA	ACTIVE	SOIC	D	8	95	TBD	Call TI	Call TI	-40 to 85	DS91C 176MA	<a href="#">Samples</a>
DS91C176TMA/NOPB	ACTIVE	SOIC	D	8	95	Green (RoHS & no Sb/Br)	CU SN	Level-1-260C-UNLIM	-40 to 85	DS91C 176MA	<a href="#">Samples</a>
DS91C176TMAX	ACTIVE	SOIC	D	8	2500	TBD	Call TI	Call TI	-40 to 85	DS91C 176MA	<a href="#">Samples</a>
DS91C176TMAX/NOPB	ACTIVE	SOIC	D	8	2500	Green (RoHS & no Sb/Br)	CU SN	Level-1-260C-UNLIM	-40 to 85	DS91C 176MA	<a href="#">Samples</a>
DS91D176TMA/NOPB	ACTIVE	SOIC	D	8	95	Green (RoHS & no Sb/Br)	CU SN	Level-1-260C-UNLIM	-40 to 85	DS91D 176MA	<a href="#">Samples</a>
DS91D176TMAX	ACTIVE	SOIC	D	8	2500	TBD	Call TI	Call TI	-40 to 85	DS91D 176MA	<a href="#">Samples</a>
DS91D176TMAX/NOPB	ACTIVE	SOIC	D	8	2500	Green (RoHS & no Sb/Br)	CU SN	Level-1-260C-UNLIM	-40 to 85	DS91D 176MA	<a href="#">Samples</a>

(1) The marketing status values are defined as follows:

**ACTIVE:** Product device recommended for new designs.

**LIFEBUY:** TI has announced that the device will be discontinued, and a lifetime-buy period is in effect.

**NRND:** Not recommended for new designs. Device is in production to support existing customers, but TI does not recommend using this part in a new design.

**PREVIEW:** Device has been announced but is not in production. Samples may or may not be available.

**OBSOLETE:** TI has discontinued the production of the device.

(2) Eco Plan - The planned eco-friendly classification: Pb-Free (RoHS), Pb-Free (RoHS Exempt), or Green (RoHS & no Sb/Br) - please check <http://www.ti.com/productcontent> for the latest availability information and additional product content details.

**TBD:** The Pb-Free/Green conversion plan has not been defined.

**Pb-Free (RoHS):** TI's terms "Lead-Free" or "Pb-Free" mean semiconductor products that are compatible with the current RoHS requirements for all 6 substances, including the requirement that lead not exceed 0.1% by weight in homogeneous materials. Where designed to be soldered at high temperatures, TI Pb-Free products are suitable for use in specified lead-free processes.

**Pb-Free (RoHS Exempt):** This component has a RoHS exemption for either 1) lead-based flip-chip solder bumps used between the die and package, or 2) lead-based die adhesive used between the die and leadframe. The component is otherwise considered Pb-Free (RoHS compatible) as defined above.

**Green (RoHS & no Sb/Br):** TI defines "Green" to mean Pb-Free (RoHS compatible), and free of Bromine (Br) and Antimony (Sb) based flame retardants (Br or Sb do not exceed 0.1% by weight in homogeneous material)

(3) MSL, Peak Temp. -- The Moisture Sensitivity Level rating according to the JEDEC industry standard classifications, and peak solder temperature.

(4) Multiple Top-Side Markings will be inside parentheses. Only one Top-Side Marking contained in parentheses and separated by a "~" will appear on a device. If a line is indented then it is a continuation of the previous line and the two combined represent the entire Top-Side Marking for that device.

**Important Information and Disclaimer:** The information provided on this page represents TI's knowledge and belief as of the date that it is provided. TI bases its knowledge and belief on information provided by third parties, and makes no representation or warranty as to the accuracy of such information. Efforts are underway to better integrate information from third parties. TI has taken and continues to take reasonable steps to provide representative and accurate information but may not have conducted destructive testing or chemical analysis on incoming materials and chemicals. TI and TI suppliers consider certain information to be proprietary, and thus CAS numbers and other limited information may not be available for release.

In no event shall TI's liability arising out of such information exceed the total purchase price of the TI part(s) at issue in this document sold by TI to Customer on an annual basis.

**TAPE AND REEL INFORMATION**

**QUADRANT ASSIGNMENTS FOR PIN 1 ORIENTATION IN TAPE**


\*All dimensions are nominal

Device	Package Type	Package Drawing	Pins	SPQ	Reel Diameter (mm)	Reel Width W1 (mm)	A0 (mm)	B0 (mm)	K0 (mm)	P1 (mm)	W (mm)	Pin1 Quadrant
DS91C176TMAX	SOIC	D	8	2500	330.0	12.4	6.5	5.4	2.0	8.0	12.0	Q1
DS91C176TMAX/NOPB	SOIC	D	8	2500	330.0	12.4	6.5	5.4	2.0	8.0	12.0	Q1
DS91D176TMAX	SOIC	D	8	2500	330.0	12.4	6.5	5.4	2.0	8.0	12.0	Q1
DS91D176TMAX/NOPB	SOIC	D	8	2500	330.0	12.4	6.5	5.4	2.0	8.0	12.0	Q1



**TAPE AND REEL BOX DIMENSIONS**


\*All dimensions are nominal

Device	Package Type	Package Drawing	Pins	SPQ	Length (mm)	Width (mm)	Height (mm)
DS91C176TMAX	SOIC	D	8	2500	349.0	337.0	45.0
DS91C176TMAX/NOPB	SOIC	D	8	2500	349.0	337.0	45.0
DS91D176TMAX	SOIC	D	8	2500	349.0	337.0	45.0
DS91D176TMAX/NOPB	SOIC	D	8	2500	349.0	337.0	45.0

D (R-PDSO-G8)

PLASTIC SMALL OUTLINE



NOTES: A. All linear dimensions are in inches (millimeters).  
 B. This drawing is subject to change without notice.  
 C. Body length does not include mold flash, protrusions, or gate burrs. Mold flash, protrusions, or gate burrs shall not exceed 0.006 (0,15) each side.  
 D. Body width does not include interlead flash. Interlead flash shall not exceed 0.017 (0,43) each side.  
 E. Reference JEDEC MS-012 variation AA.

## IMPORTANT NOTICE

Texas Instruments Incorporated and its subsidiaries (TI) reserve the right to make corrections, enhancements, improvements and other changes to its semiconductor products and services per JESD46, latest issue, and to discontinue any product or service per JESD48, latest issue. Buyers should obtain the latest relevant information before placing orders and should verify that such information is current and complete. All semiconductor products (also referred to herein as "components") are sold subject to TI's terms and conditions of sale supplied at the time of order acknowledgment.

TI warrants performance of its components to the specifications applicable at the time of sale, in accordance with the warranty in TI's terms and conditions of sale of semiconductor products. Testing and other quality control techniques are used to the extent TI deems necessary to support this warranty. Except where mandated by applicable law, testing of all parameters of each component is not necessarily performed.

TI assumes no liability for applications assistance or the design of Buyers' products. Buyers are responsible for their products and applications using TI components. To minimize the risks associated with Buyers' products and applications, Buyers should provide adequate design and operating safeguards.

TI does not warrant or represent that any license, either express or implied, is granted under any patent right, copyright, mask work right, or other intellectual property right relating to any combination, machine, or process in which TI components or services are used. Information published by TI regarding third-party products or services does not constitute a license to use such products or services or a warranty or endorsement thereof. Use of such information may require a license from a third party under the patents or other intellectual property of the third party, or a license from TI under the patents or other intellectual property of TI.

Reproduction of significant portions of TI information in TI data books or data sheets is permissible only if reproduction is without alteration and is accompanied by all associated warranties, conditions, limitations, and notices. TI is not responsible or liable for such altered documentation. Information of third parties may be subject to additional restrictions.

Resale of TI components or services with statements different from or beyond the parameters stated by TI for that component or service voids all express and any implied warranties for the associated TI component or service and is an unfair and deceptive business practice. TI is not responsible or liable for any such statements.

Buyer acknowledges and agrees that it is solely responsible for compliance with all legal, regulatory and safety-related requirements concerning its products, and any use of TI components in its applications, notwithstanding any applications-related information or support that may be provided by TI. Buyer represents and agrees that it has all the necessary expertise to create and implement safeguards which anticipate dangerous consequences of failures, monitor failures and their consequences, lessen the likelihood of failures that might cause harm and take appropriate remedial actions. Buyer will fully indemnify TI and its representatives against any damages arising out of the use of any TI components in safety-critical applications.

In some cases, TI components may be promoted specifically to facilitate safety-related applications. With such components, TI's goal is to help enable customers to design and create their own end-product solutions that meet applicable functional safety standards and requirements. Nonetheless, such components are subject to these terms.

No TI components are authorized for use in FDA Class III (or similar life-critical medical equipment) unless authorized officers of the parties have executed a special agreement specifically governing such use.

Only those TI components which TI has specifically designated as military grade or "enhanced plastic" are designed and intended for use in military/aerospace applications or environments. Buyer acknowledges and agrees that any military or aerospace use of TI components which have **not** been so designated is solely at the Buyer's risk, and that Buyer is solely responsible for compliance with all legal and regulatory requirements in connection with such use.

TI has specifically designated certain components as meeting ISO/TS16949 requirements, mainly for automotive use. In any case of use of non-designated products, TI will not be responsible for any failure to meet ISO/TS16949.

### Products

Audio	<a href="http://www.ti.com/audio">www.ti.com/audio</a>
Amplifiers	<a href="http://amplifier.ti.com">amplifier.ti.com</a>
Data Converters	<a href="http://dataconverter.ti.com">dataconverter.ti.com</a>
DLP® Products	<a href="http://www.dlp.com">www.dlp.com</a>
DSP	<a href="http://dsp.ti.com">dsp.ti.com</a>
Clocks and Timers	<a href="http://www.ti.com/clocks">www.ti.com/clocks</a>
Interface	<a href="http://interface.ti.com">interface.ti.com</a>
Logic	<a href="http://logic.ti.com">logic.ti.com</a>
Power Mgmt	<a href="http://power.ti.com">power.ti.com</a>
Microcontrollers	<a href="http://microcontroller.ti.com">microcontroller.ti.com</a>
RFID	<a href="http://www.ti-rfid.com">www.ti-rfid.com</a>
OMAP Applications Processors	<a href="http://www.ti.com/omap">www.ti.com/omap</a>
Wireless Connectivity	<a href="http://www.ti.com/wirelessconnectivity">www.ti.com/wirelessconnectivity</a>

### Applications

Automotive and Transportation	<a href="http://www.ti.com/automotive">www.ti.com/automotive</a>
Communications and Telecom	<a href="http://www.ti.com/communications">www.ti.com/communications</a>
Computers and Peripherals	<a href="http://www.ti.com/computers">www.ti.com/computers</a>
Consumer Electronics	<a href="http://www.ti.com/consumer-apps">www.ti.com/consumer-apps</a>
Energy and Lighting	<a href="http://www.ti.com/energy">www.ti.com/energy</a>
Industrial	<a href="http://www.ti.com/industrial">www.ti.com/industrial</a>
Medical	<a href="http://www.ti.com/medical">www.ti.com/medical</a>
Security	<a href="http://www.ti.com/security">www.ti.com/security</a>
Space, Avionics and Defense	<a href="http://www.ti.com/space-avionics-defense">www.ti.com/space-avionics-defense</a>
Video and Imaging	<a href="http://www.ti.com/video">www.ti.com/video</a>

### TI E2E Community

[e2e.ti.com](http://e2e.ti.com)