

DS92LV090AEP 9 Channel Bus LVDS Transceiver

Check for Samples: [DS92LV090AEP](#)

FEATURES

- Bus LVDS Signaling
- 3.2 Nanosecond Propagation Delay Max
- Chip to Chip Skew ± 800 ps
- Low Power CMOS Design
- High Signaling Rate Capability (above 100 Mbps)
- 0.1V to 2.3V Common Mode Range for $V_{ID} = 200$ mV
- ± 100 mV Receiver Sensitivity
- Supports Open and Terminated Failsafe on Port Pins
- 3.3V Operation
- Glitch Free Power Up/Down (Driver & Receiver Disabled)
- Light Bus Loading (5 pF typical) per Bus LVDS Load
- Designed for Double Termination Applications
- Balanced Output Impedance
- Product Offered in 64 pin LQFP Package
- High Impedance Bus Pins on Power Off ($V_{CC} = 0$ V)
- Driver Channel to Channel Skew (same device) 230ps Typical
- Receiver Channel to Channel Skew (same device) 370ps Typical

APPLICATION

- Selected Military Applications
- Selected Avionics Applications

DESCRIPTION

The DS92LV090AEP is one in a series of Bus LVDS transceivers designed specifically for the high speed, low power proprietary backplane or cable interfaces. The device operates from a single 3.3V power supply and includes nine differential line drivers and nine receivers. To minimize bus loading, the driver outputs and receiver inputs are internally connected. The separate I/O of the logic side allows for loop back support. The device also features a flow through pin out which allows easy PCB routing for short stubs between its pins and the connector.

The driver translates 3V TTL levels (single-ended) to differential Bus LVDS (BLVDS) output levels. This allows for high speed operation, while consuming minimal power with reduced EMI. In addition, the differential signaling provides common mode noise rejection of ± 1 V.

The receiver threshold is less than ± 100 mV over a ± 1 V common mode range and translates the differential Bus LVDS to standard (TTL/CMOS) levels. (See [APPLICATIONS INFORMATION](#) section for more details.)

ENHANCED PLASTIC

- Extended Temperature Performance of -40°C to $+85^{\circ}\text{C}$
- Baseline Control - Single Fab & Assembly Site
- Process Change Notification (PCN)
- Qualification & Reliability Data
- Solder (PbSn) Lead Finish is standard
- Enhanced Diminishing Manufacturing Sources (DMS) Support



Please be aware that an important notice concerning availability, standard warranty, and use in critical applications of Texas Instruments semiconductor products and disclaimers thereto appears at the end of this data sheet.

All trademarks are the property of their respective owners.

Simplified Functional Diagram

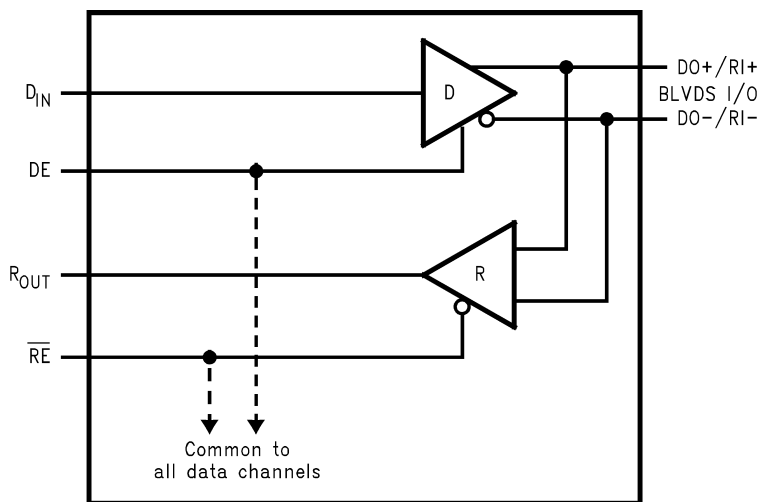


Figure 1.

Connection Diagram

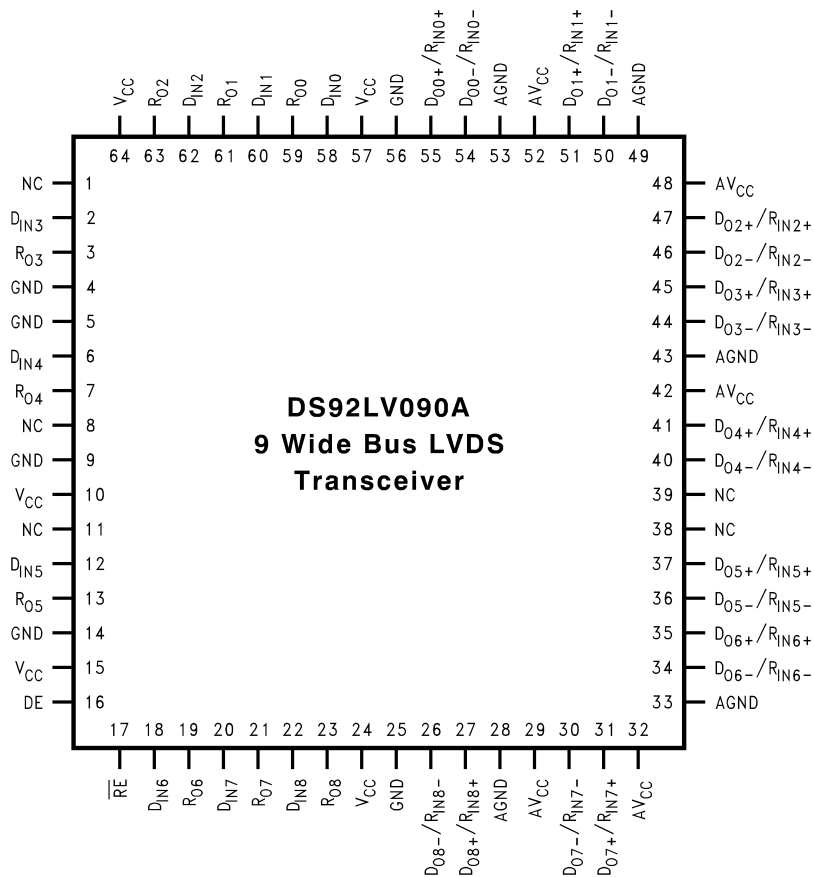


Figure 2. Top View
See Package Number PM

PIN DESCRIPTIONS

Pin Name	Pin #	Input/Output	Descriptions
DO+/RI+	27, 31, 35, 37, 41, 45, 47, 51, 55	I/O	True Bus LVDS Driver Outputs and Receiver Inputs.
DO-/RI-	26, 30, 34, 36, 40, 44, 46, 50, 54	I/O	Complimentary Bus LVDS Driver Outputs and Receiver Inputs.
D _{IN}	2, 6, 12, 18, 20, 22, 58, 60, 62	I	TTL Driver Input.
RO	3, 7, 13, 19, 21, 23, 59, 61, 63	O	TTL Receiver Output.
$\overline{\text{RE}}$	17	I	Receiver Enable TTL Input (Active Low).
DE	16	I	Driver Enable TTL Input (Active High).
GND	4, 5, 9, 14, 25, 56	Power	Ground for digital circuitry (must connect to GND on PC board). These pins connected internally.
V _{CC}	10, 15, 24, 57, 64	Power	V _{CC} for digital circuitry (must connect to V _{CC} on PC board). These pins connected internally.
AGND	28, 33, 43, 49, 53	Power	Ground for analog circuitry (must connect to GND on PC board). These pins connected internally.
AV _{CC}	29, 32, 42, 48, 52	Power	Analog V _{CC} (must connect to V _{CC} on PC board). These pins connected internally.
NC	1, 8, 11, 38, 39	N/A	Leave open circuit, do not connect.



These devices have limited built-in ESD protection. The leads should be shorted together or the device placed in conductive foam during storage or handling to prevent electrostatic damage to the MOS gates.

ABSOLUTE MAXIMUM RATINGS⁽¹⁾⁽²⁾⁽³⁾

Supply Voltage (V_{CC})		4.0V
Enable Input Voltage (DE, \overline{RE})		-0.3V to ($V_{CC} + 0.3V$)
Driver Input Voltage (D_{IN})		-0.3V to ($V_{CC} + 0.3V$)
Receiver Output Voltage (R_{OUT})		-0.3V to ($V_{CC} + 0.3V$)
Bus Pin Voltage (DO/RI_{\pm})		-0.3V to +3.9V
ESD (HBM 1.5 k Ω , 100 pF)		>4.5 kV
Driver Short Circuit Duration		momentary
Receiver Short Circuit Duration		momentary
Maximum Package Power Dissipation at 25°C	LQFP	1.74 W
	Derate LQFP Package	13.9 mW/°C
	θ_{ja}	71.7°C/W
	θ_{jc}	10.9°C/W
Storage Temperature Range		-65°C to +150°C
Lead Temperature (Soldering, 4 sec.)		260°C

- (1) All currents into device pins are positive; all currents out of device pins are negative. All voltages are referenced to ground unless otherwise specified except V_{OD} , ΔV_{OD} and V_{ID} .
- (2) "Absolute Maximum Ratings" are those values beyond which the safety of the device cannot be ensured. They are not meant to imply that the devices should be operated at these limits. The table of "Electrical Characteristics" provides conditions for actual device operation.
- (3) If Military/Aerospace specified devices are required, please contact the Texas Instruments Sales Office/ Distributors for availability and specifications.

RECOMMENDED OPERATING CONDITIONS

		Min	Max	Units
Supply Voltage (V_{CC})		3.0	3.6	V
Receiver Input Voltage		0.0	2.4	V
Operating Free Air Temperature		-40	+85	°C
Maximum Input Edge Rate	See ⁽¹⁾ (20% to 80%)			$\Delta t/\Delta V$
	Data		1.0	ns/V
	Control		3.0	ns/V

- (1) Generator waveforms for all tests unless otherwise specified: $f = 25$ MHz, $Z_O = 50\Omega$, t_r , $t_f = <1.0$ ns (0%–100%). To ensure fastest propagation delay and minimum skew, data input edge rates should be equal to or faster than 1ns/V; control signals equal to or faster than 3ns/V. In general, the faster the input edge rate, the better the AC performance.

DC ELECTRICAL CHARACTERISTICS⁽¹⁾⁽²⁾⁽³⁾

Over recommended operating supply voltage and temperature ranges unless otherwise specified

Symbol	Parameter	Conditions		Pin	Min	Typ	Max	Units
V _{OD}	Output Differential Voltage	R _L = 27Ω, Figure 3		DO+/RI+, DO-/RI-	240	300	460	mV
ΔV _{OD}	V _{OD} Magnitude Change						27	mV
V _{OS}	Offset Voltage				1.1	1.3	1.5	V
ΔV _{OS}	Offset Magnitude Change					5	10	mV
V _{OH}	Driver Output High Voltage	R _L = 27Ω				1.4	1.65	V
V _{OL}	Driver Output Low Voltage	R _L = 27Ω			0.95	1.1		V
I _{OSD}	Output Short Circuit Current ⁽⁴⁾	V _{OD} = 0V, DE = V _{CC} , Driver outputs shorted together				36	65	mA
V _{OH}	Voltage Output High ⁽⁵⁾	V _{ID} = +300 mV	I _{OH} = -400 μA	R _{OUT}	V _{CC} -0.2			V
		Inputs Open			V _{CC} -0.2			V
		Inputs Terminated, R _L = 27Ω			V _{CC} -0.2			V
V _{OL}	Voltage Output Low	I _{OL} = 2.0 mA, V _{ID} = -300 mV				0.05	0.075	V
I _{OD}	Receiver Output Dynamic Current ⁽⁴⁾	V _{ID} = 300mV, V _{OUT} = V _{CC} -1.0V			-110	75		mA
		V _{ID} = -300mV, V _{OUT} = 1.0V				75	110	mA
V _{TH}	Input Threshold High	DE = 0V, V _{CM} = 1.5V		DO+/RI+, DO-/RI-			+100	mV
V _{TL}	Input Threshold Low						-100	
V _{CMR}	Receiver Common Mode Range				V _{ID} /2		2.4 - V _{ID} /2	V
I _{IN}	Input Current	DE = 0V, \overline{RE} = 2.4V, V _{IN} = +2.4V or 0V			-20	±1	+20	μA
		V _{CC} = 0V, V _{IN} = +2.4V or 0V			-20	±1	+20	μA
V _{IH}	Minimum Input High Voltage			D _{IN} , DE, \overline{RE}	2.0		V _{CC}	V
V _{IL}	Maximum Input Low Voltage				GND		0.8	V
I _{IH}	Input High Current	V _{IN} = V _{CC} or 2.4V			-20	±10	+20	μA
I _{IL}	Input Low Current	V _{IN} = GND or 0.4V			-20	±10	+20	μA
V _{CL}	Input Diode Clamp Voltage	I _{CLAMP} = -18 mA			-1.5	-0.8		V
I _{CCD}	Power Supply Current Drivers Enabled, Receivers Disabled	No Load, DE = \overline{RE} = V _{CC} , D _{IN} = V _{CC} or GND		V _{CC}		55	80	mA
I _{CCR}	Power Supply Current Drivers Disabled, Receivers Enabled	DE = \overline{RE} = 0V, V _{ID} = ±300mV				73	80	mA
I _{CCZ}	Power Supply Current, Drivers and Receivers TRI- STATE	DE = 0V; \overline{RE} = V _{CC} , D _{IN} = V _{CC} or GND				35	80	mA
I _{CC}	Power Supply Current, Drivers and Receivers Enabled	DE = V _{CC} ; \overline{RE} = 0V, D _{IN} = V _{CC} or GND, R _L = 27Ω				170	210	mA
I _{OFF}	Power Off Leakage Current	V _{CC} = 0V or OPEN, D _{IN} , DE, \overline{RE} = 0V or OPEN, V _{APPLIED} = 3.6V (Port Pins)		DO+/RI+, DO-/RI-	-20		+20	μA
C _{OUTPUT}	Capacitance @ Bus Pins			DO+/RI+, DO-/RI-		5		pF
C _{OUTPUT}	Capacitance @ R _{OUT}			R _{OUT}		7		pF

- All currents into device pins are positive; all currents out of device pins are negative. All voltages are referenced to ground unless otherwise specified except V_{OD}, ΔV_{OD} and V_{ID}.
- All typicals are given for V_{CC} = +3.3V and T_A = +25°C, unless otherwise stated.
- "Testing and other quality control techniques are used to the extent deemed necessary to ensure product performance over the specified temperature range. Product may not necessarily be tested across the full temperature range and all parameters may not necessarily be tested. In the absence of specific PARAMETRIC testing, product performance is assured by characterization and/or design."
- Only one output at a time should be shorted, do not exceed maximum package power dissipation capacity.
- V_{OH} failsafe terminated test performed with 27Ω connected between RI+ and RI- inputs. No external voltage is applied.

AC ELECTRICAL CHARACTERISTICS

Over recommended operating supply voltage and temperature ranges unless otherwise specified⁽¹⁾⁽²⁾

Symbol	Parameter	Conditions	Min	Typ	Max	Units	
DIFFERENTIAL DRIVER TIMING REQUIREMENTS							
t _{PHLD}	Differential Prop. Delay High to Low ⁽³⁾	R _L = 27Ω, Figure 4, Figure 5, C _L = 10 pF	0.6	1.4	2.2	ns	
t _{PLHD}	Differential Prop. Delay Low to High ⁽³⁾		0.6	1.4	2.2	ns	
t _{SKD1}	Differential Skew t _{PHLD} –t _{PLHD} ⁽⁴⁾			80		ps	
t _{SKD2}	Chip to Chip Skew ⁽⁵⁾				1.6	ns	
t _{SKD3}	Channel to Channel Skew ⁽⁶⁾			0.25	0.45	ns	
t _{TLH}	Transition Time Low to High				0.6	1.2	ns
t _{THL}	Transition Time High to Low				0.5	1.2	ns
t _{PHZ}	Disable Time High to Z	R _L = 27Ω, Figure 6, Figure 7, C _L = 10 pF		3	8	ns	
t _{PLZ}	Disable Time Low to Z			3	8	ns	
t _{PZH}	Enable Time Z to High			3	8	ns	
t _{PZL}	Enable Time Z to Low			3	8	ns	
DIFFERENTIAL RECEIVER TIMING REQUIREMENTS							
t _{PHLD}	Differential Prop. Delay High to Low ⁽³⁾	Figure 8, Figure 9, C _L = 35 pF	1.6	2.4	3.2	ns	
t _{PLHD}	Differential Prop Delay Low to High ⁽³⁾		1.6	2.4	3.2	ns	
t _{SDK1}	Differential Skew t _{PHLD} –t _{PLHD} ⁽⁴⁾			80		ps	
t _{SDK2}	Chip to Chip Skew ⁽⁵⁾				1.6	ns	
t _{SDK3}	Channel to Channel Skew ⁽⁶⁾			0.35	0.60	ns	
t _{TLH}	Transition Time Low to High				1.5	2.5	ns
t _{THL}	Transition Time High to Low				1.5	2.5	ns
t _{PHZ}	Disable Time High to Z	R _L = 500Ω, Figure 10, Figure 11, C _L = 35 pF		4.5	10	ns	
t _{PLZ}	Disable Time Low to Z			3.5	8	ns	
t _{PZH}	Enable Time Z to High			3.5	8	ns	
t _{PZL}	Enable Time Z to Low			3.5	8	ns	

- Generator waveforms for all tests unless otherwise specified: f = 25 MHz, Z_O = 50Ω, t_r, t_f = <1.0 ns (0%–100%). To ensure fastest propagation delay and minimum skew, data input edge rates should be equal to or faster than 1ns/V; control signals equal to or faster than 3ns/V. In general, the faster the input edge rate, the better the AC performance.
- "Testing and other quality control techniques are used to the extent deemed necessary to ensure product performance over the specified temperature range. Product may not necessarily be tested across the full temperature range and all parameters may not necessarily be tested. In the absence of specific PARAMETRIC testing, product performance is assured by characterization and/or design."
- Propagation delays are ensured by design and characterization.
- t_{SKD1} |t_{PHLD}–t_{PLHD}| is the worse case skew between any channel and any device over recommended operation conditions.
- Chip to Chip skew is the difference in differential propagation delay between any channels of any devices, either edge.
- Channel to Channel skew is the difference in driver output or receiver output propagation delay between any channels within a device, either edge.

APPLICATIONS INFORMATION

General application guidelines and hints may be found in the following application notes: AN-808, AN-903, AN-971, AN-977, and AN-1108.

There are a few common practices which should be implied when designing PCB for Bus LVDS signaling. Recommended practices are:

- Use at least 4 PCB board layer (Bus LVDS signals, ground, power and TTL signals).
- Keep drivers and receivers as close to the (Bus LVDS port side) connector as possible.
- Bypass each Bus LVDS device and also use distributed bulk capacitance between power planes. Surface mount capacitors placed close to power and ground pins work best. Two or three high frequency, multi-layer ceramic (MLC) surface mount (0.1 μF , 0.01 μF , 0.001 μF) in parallel should be used between each V_{CC} and ground. The capacitors should be as close as possible to the V_{CC} pin.
 - Multiple vias should be used to connect V_{CC} and Ground planes to the pads of the by-pass capacitors.
 - In addition, randomly distributed by-pass capacitors should be used.
- Use the termination resistor which best matches the differential impedance of your transmission line.
- Leave unused Bus LVDS receiver inputs open (floating). Limit traces on unused inputs to <0.5 inches.
- Isolate TTL signals from Bus LVDS signals

MEDIA (CONNECTOR or BACKPLANE) SELECTION:

- Use controlled impedance media. The backplane and connectors should have a matched differential impedance.

Table 1. Functional Table⁽¹⁾

MODE SELECTED	DE	$\overline{\text{RE}}$
DRIVER MODE	H	H
RECEIVER MODE	L	L
TRI-STATE MODE	L	H
LOOP BACK MODE	H	L

(1) X = High or Low logic state, Z = High impedance state
L = Low state, H = High state

Table 2. Transmitter Mode⁽¹⁾

INPUTS		OUTPUTS	
DE	D_{IN}	DO+	DO-
H	L	L	H
H	H	H	L
H	$0.8V < D_{IN} < 2.0V$	X	X
L	X	Z	Z

(1) X = High or Low logic state, L = Low state
Z = High impedance state, H = High state

Table 3. Receiver Mode⁽¹⁾

INPUTS		OUTPUT
$\overline{\text{RE}}$	$(\text{RI}+) - (\text{RI}-)$	
L	L (< -100 mV)	L
L	H (> +100 mV)	H
L	$-100 \text{ mV} < V_{ID} < +100 \text{ mV}$	X
H	X	Z

(1) X = High or Low logic state, L = Low state
Z = High impedance state, H = High state

TEST CIRCUITS AND TIMING WAVEFORMS

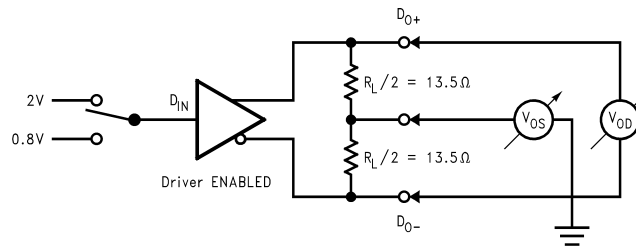


Figure 3. Differential Driver DC Test Circuit

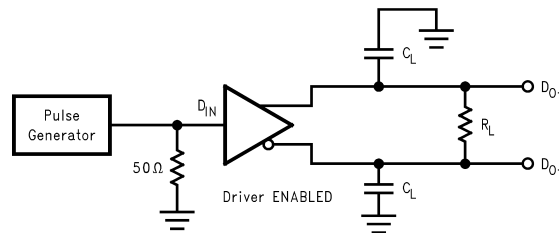


Figure 4. Differential Driver Propagation Delay and Transition Time Test Circuit

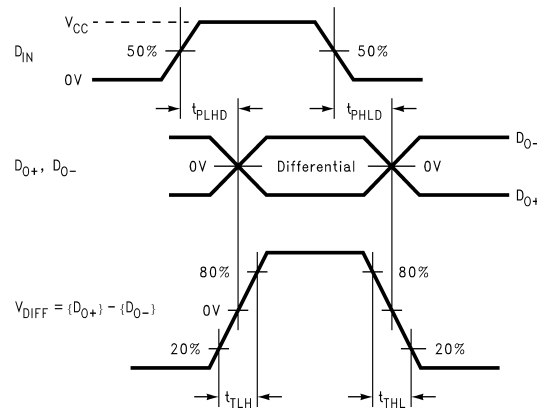


Figure 5. Differential Driver Propagation Delay and Transition Time Waveforms

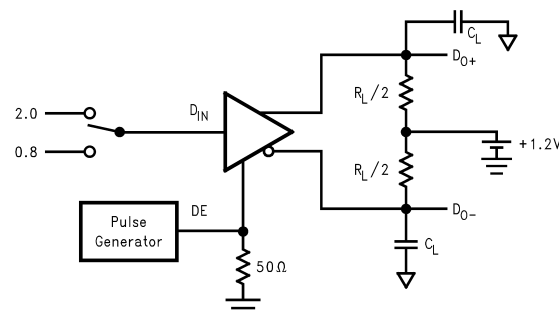


Figure 6. Driver TRI-STATE Delay Test Circuit

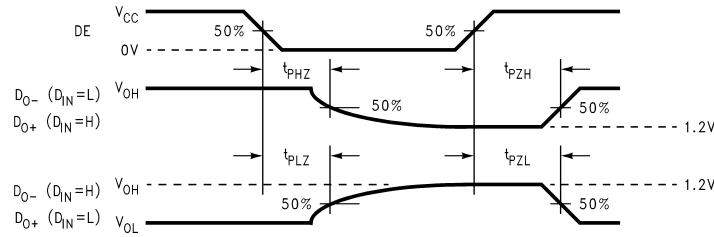


Figure 7. Driver TRI-STATE Delay Waveforms

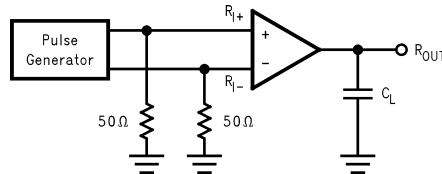


Figure 8. Receiver Propagation Delay and Transition Time Test Circuit

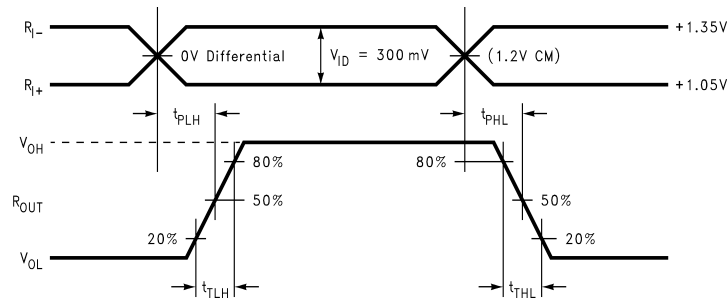


Figure 9. Receiver Propagation Delay and Transition Time Waveforms

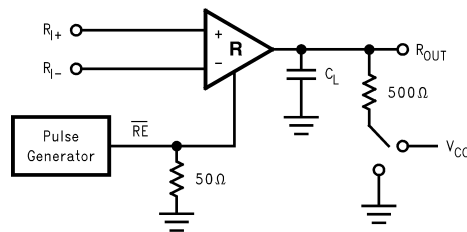


Figure 10. Receiver TRI-STATE Delay Test Circuit

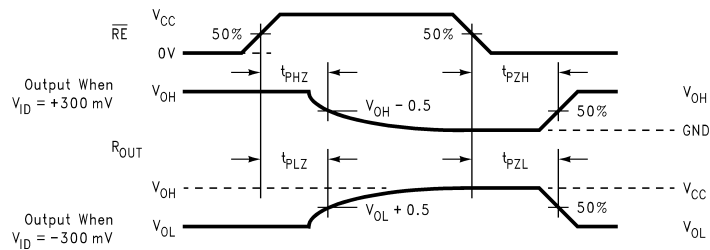


Figure 11. Receiver TRI-STATE Delay Waveforms

TYPICAL BUS APPLICATION CONFIGURATIONS

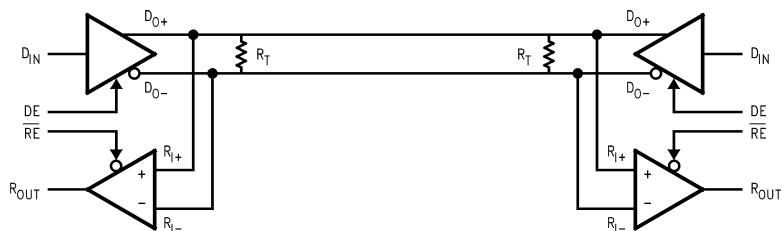


Figure 12. Bi-Directional Half-Duplex Point-to-Point Applications

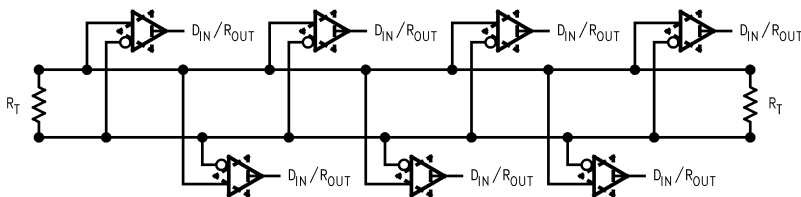


Figure 13. Multi-Point Bus Applications

REVISION HISTORY

Changes from Revision A (April 2013) to Revision B	Page
• Changed layout of National Data Sheet to TI format	10

IMPORTANT NOTICE

Texas Instruments Incorporated and its subsidiaries (TI) reserve the right to make corrections, enhancements, improvements and other changes to its semiconductor products and services per JESD46, latest issue, and to discontinue any product or service per JESD48, latest issue. Buyers should obtain the latest relevant information before placing orders and should verify that such information is current and complete. All semiconductor products (also referred to herein as "components") are sold subject to TI's terms and conditions of sale supplied at the time of order acknowledgment.

TI warrants performance of its components to the specifications applicable at the time of sale, in accordance with the warranty in TI's terms and conditions of sale of semiconductor products. Testing and other quality control techniques are used to the extent TI deems necessary to support this warranty. Except where mandated by applicable law, testing of all parameters of each component is not necessarily performed.

TI assumes no liability for applications assistance or the design of Buyers' products. Buyers are responsible for their products and applications using TI components. To minimize the risks associated with Buyers' products and applications, Buyers should provide adequate design and operating safeguards.

TI does not warrant or represent that any license, either express or implied, is granted under any patent right, copyright, mask work right, or other intellectual property right relating to any combination, machine, or process in which TI components or services are used. Information published by TI regarding third-party products or services does not constitute a license to use such products or services or a warranty or endorsement thereof. Use of such information may require a license from a third party under the patents or other intellectual property of the third party, or a license from TI under the patents or other intellectual property of TI.

Reproduction of significant portions of TI information in TI data books or data sheets is permissible only if reproduction is without alteration and is accompanied by all associated warranties, conditions, limitations, and notices. TI is not responsible or liable for such altered documentation. Information of third parties may be subject to additional restrictions.

Resale of TI components or services with statements different from or beyond the parameters stated by TI for that component or service voids all express and any implied warranties for the associated TI component or service and is an unfair and deceptive business practice. TI is not responsible or liable for any such statements.

Buyer acknowledges and agrees that it is solely responsible for compliance with all legal, regulatory and safety-related requirements concerning its products, and any use of TI components in its applications, notwithstanding any applications-related information or support that may be provided by TI. Buyer represents and agrees that it has all the necessary expertise to create and implement safeguards which anticipate dangerous consequences of failures, monitor failures and their consequences, lessen the likelihood of failures that might cause harm and take appropriate remedial actions. Buyer will fully indemnify TI and its representatives against any damages arising out of the use of any TI components in safety-critical applications.

In some cases, TI components may be promoted specifically to facilitate safety-related applications. With such components, TI's goal is to help enable customers to design and create their own end-product solutions that meet applicable functional safety standards and requirements. Nonetheless, such components are subject to these terms.

No TI components are authorized for use in FDA Class III (or similar life-critical medical equipment) unless authorized officers of the parties have executed a special agreement specifically governing such use.

Only those TI components which TI has specifically designated as military grade or "enhanced plastic" are designed and intended for use in military/aerospace applications or environments. Buyer acknowledges and agrees that any military or aerospace use of TI components which have **not** been so designated is solely at the Buyer's risk, and that Buyer is solely responsible for compliance with all legal and regulatory requirements in connection with such use.

TI has specifically designated certain components as meeting ISO/TS16949 requirements, mainly for automotive use. In any case of use of non-designated products, TI will not be responsible for any failure to meet ISO/TS16949.

Products

Audio	www.ti.com/audio
Amplifiers	amplifier.ti.com
Data Converters	dataconverter.ti.com
DLP® Products	www.dlp.com
DSP	dsp.ti.com
Clocks and Timers	www.ti.com/clocks
Interface	interface.ti.com
Logic	logic.ti.com
Power Mgmt	power.ti.com
Microcontrollers	microcontroller.ti.com
RFID	www.ti-rfid.com
OMAP Applications Processors	www.ti.com/omap
Wireless Connectivity	www.ti.com/wirelessconnectivity

Applications

Automotive and Transportation	www.ti.com/automotive
Communications and Telecom	www.ti.com/communications
Computers and Peripherals	www.ti.com/computers
Consumer Electronics	www.ti.com/consumer-apps
Energy and Lighting	www.ti.com/energy
Industrial	www.ti.com/industrial
Medical	www.ti.com/medical
Security	www.ti.com/security
Space, Avionics and Defense	www.ti.com/space-avionics-defense
Video and Imaging	www.ti.com/video

TI E2E Community

e2e.ti.com