

3 Gbps HD/SD SDI Adaptive Cable Equalizer

Check for Samples: [LMH0344](#)

FEATURES

- **SMPTE 424M, SMPTE 292M, SMPTE 344M, and SMPTE 259M Compliant**
- **Supports DVB-ASI at 270 Mbps**
- **Wide Range of Data Rates: 125 Mbps to 2.97 Gbps**
- **Equalizes up to 120 Meters of Belden 1694A at 2.97 Gbps, up to 140 Meters of Belden 1694A at 1.485 Gbps, or up to 400 Meters of Belden 1694A at 270 Mbps**
- **Equalizes 0-120m of Belden 1694A at 2.97 Gbps With 0.3 UI Maximum Output Jitter**
- **Manual Bypass and Output Mute With a Programmable Threshold**
- **Single-Ended or Differential Input**
- **50Ω Differential Outputs (Internal 50Ω Pullups)**
- **Single 3.3V Supply Operation**
- **280 mW Typical Power Consumption**
- **16-Pin WQFN or 25-Ball CS-BGA Package**
- **Industrial Temperature Range: –40°C to +85°C**
- **HBM ESD Rating: 8 kV**
- **WQFN Version Footprint Compatible With the LMH0044 and LMH0074**
- **Replaces the Gennum GS2974A or GS2974B**

APPLICATIONS

- **SMPTE 424M, SMPTE 292M, SMPTE 344M, and SMPTE 259M Serial Digital Interfaces**
- **Serial Digital Data Equalization and Reception**
- **Data Recovery Equalization**

DESCRIPTION

The LMH0344 3 Gbps HD/SD SDI Adaptive Cable Equalizer is designed to equalize data transmitted over cable (or any media with similar dispersive loss characteristics). The equalizer operates over a wide range of data rates from 125 Mbps to 2.97 Gbps and supports SMPTE 424M, SMPTE 292M, SMPTE 344M, and SMPTE 259M.

The LMH0344 implements DC restoration to correctly handle pathological data conditions. The equalizer may be driven in either a single ended or differential configuration.

Additional features include separate carrier detect and output mute pins which may be tied together to mute the output when no signal is present. A programmable mute reference is provided to mute the output at a selectable level of signal degradation.

For applications which use the RGBa data patterns, the LMH0394 cable equalizer will provide better performance.

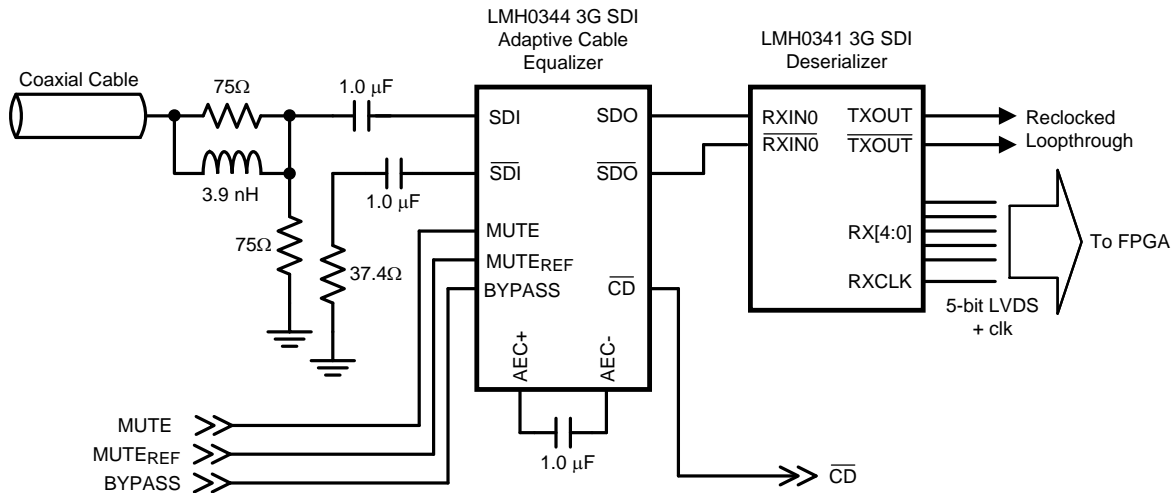
The device is available in two space-saving packages: a 4 X 4 mm 16-pin WQFN and even more space-efficient 3 x 3 mm 25-ball CS-BGA package.



Please be aware that an important notice concerning availability, standard warranty, and use in critical applications of Texas Instruments semiconductor products and disclaimers thereto appears at the end of this data sheet.

All trademarks are the property of their respective owners.

Typical Application



These devices have limited built-in ESD protection. The leads should be shorted together or the device placed in conductive foam during storage or handling to prevent electrostatic damage to the MOS gates.

Absolute Maximum Ratings⁽¹⁾

Supply Voltage		4.0V
Input Voltage (all inputs)		-0.3V to V _{CC} +0.3V
Storage Temperature Range		-65°C to +150°C
Junction Temperature		+125°C
Lead Temperature (Soldering 4 Sec)		+260°C
Package Thermal Resistance	θ _{JA} 16-pin WQFN	+40°C/W
	θ _{JC} 16-pin WQFN	+4.5°C/W
	θ _{JA} 25-ball CS-BGA	+58.1°C/W
ESD Rating	HBM	8 kV
	MM	400V
	CDM	2 kV

(1) Absolute Maximum Ratings are those parameter values beyond which the life and operation of the device cannot be ensured. The stating herein of these maximums shall not be construed to imply that the device can or should be operated at or beyond these values. The table of [Electrical Characteristics](#) specifies acceptable device operating conditions.

Recommended Operating Conditions

Supply Voltage (V _{CC} – V _{EE})	3.3V ±5%
Input Coupling Capacitance	1.0 μF
AEC Capacitor (Connected between AEC+ and AEC-)	1.0 μF
Operating Free Air Temperature (T _A)	-40°C to +85°C

DC Electrical Characteristics

Over Supply Voltage and Operating Temperature ranges, unless otherwise specified ⁽¹⁾ ⁽²⁾.

Symbol	Parameter	Conditions	Reference	Min	Typ	Max	Units
V _{CMIN}	Input Common Mode Voltage		SDI, $\overline{\text{SDI}}$		1.9		V
V _{SDI}	Input Voltage Swing	At LMH0344 input ⁽³⁾ ⁽⁴⁾		720	800	950	mV _{P-P}
V _{CMOUT}	Output Common Mode Voltage		SDO, $\overline{\text{SDO}}$		$V_{CC} - V_{SDO}/2$		V
V _{SDO}	Output Voltage Swing	100Ω load, differential			750		mV _{P-P}
	MUTE _{REF} DC Voltage (floating)		MUTE _{REF}		1.3		V
	MUTE _{REF} Range				0.6		V
	$\overline{\text{CD}}$ Output Voltage	Carrier not present	$\overline{\text{CD}}$	2.4			V
		Carrier present				0.4	V
	MUTE Input Voltage	Min to mute outputs	MUTE	2.0			V
		Max to force outputs active				0.8	V
I _{CC}	Supply Current				85	100	mA

(1) Current flow into device pins is defined as positive. Current flow out of device pins is defined as negative. All voltages are stated referenced to V_{EE} = 0 Volts.

(2) Typical values are stated for V_{CC} = +3.3V and T_A = +25°C.

(3) Specification is ensured by characterization.

(4) This specification is for 0m cable only.

AC Electrical Characteristics

Over Supply Voltage and Operating Temperature ranges, unless otherwise specified ⁽¹⁾.

Symbol	Parameter	Conditions	Reference	Min	Typ	Max	Units
BR _{MIN}	Minimum Input Data Rate		SDI, $\overline{\text{SDI}}$		125		Mbps
BR _{Max}	Maximum Input Data Rate					2970	Mbps
	Jitter for Various Cable Lengths	270 Mbps, Belden 1694A, 0-400 meters ⁽²⁾				0.2	UI
		270 Mbps, Belden 1694A, 0-400 meters ⁽³⁾			0.07		UI
		1.485 Gbps, Belden 1694A, 0-140 meters ⁽²⁾				0.25	UI
		1.485 Gbps, Belden 1694A, 0-140 meters ⁽³⁾			0.08		UI
		2.97 Gbps, Belden 1694A, 0-120 meters ⁽²⁾				0.3	UI
		2.97 Gbps, Belden 1694A, 0-120 meters ⁽³⁾				0.18	UI
t _r , t _f	Output Rise Time, Fall Time	20% – 80% ⁽⁴⁾	SDO, $\overline{\text{SDO}}$		60	130	ps
	Mismatch in Rise/Fall Time	⁽⁴⁾			2	15	ps
t _{OS}	Output Overshoot	⁽⁴⁾			1	5	%
R _{OUT}	Output Resistance	single-ended			50		Ω
RL _{IN}	Input Return Loss	5 MHz - 1.5 GHz ⁽⁵⁾	SDI, $\overline{\text{SDI}}$	15			dB
		1.5 GHz - 3.0 GHz ⁽⁵⁾		10			dB
R _{IN}	Input Resistance	single-ended			1.3		kΩ
C _{IN}	Input Capacitance	single-ended			1		pF

(1) Typical values are stated for V_{CC} = +3.3V and T_A = +25°C.

(2) Based on characterization data over the full range of recommended operating conditions of the device. Jitter is measured in accordance with SMPTE RP 184, SMPTE RP 192, and the applicable serial data transmission standard: SMPTE 424M, SMPTE 292M, or SMPTE 259M.

(3) Measured with Pseudo Matrix Pathological test signal.

(4) Specification is ensured by characterization.

(5) Input return loss is dependent on board design. The LMH0344 exceeds this specification on the SD344 evaluation board with a return loss network consisting of an 8.2 nH inductor in parallel with a 0.5 pF capacitor in parallel with the 75Ω series resistor on the input.

Typical Performance Characteristics

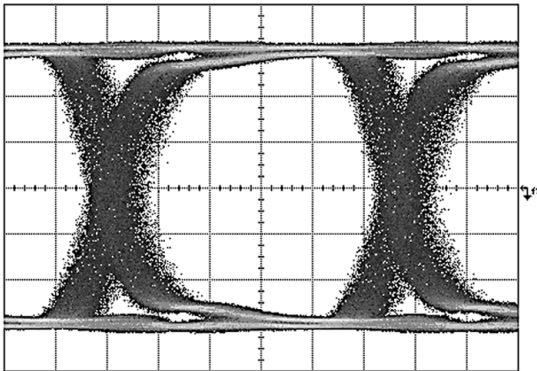


Figure 1. After Equalization: 120m of Belden 1694A with 2.97 Gbps PRBS

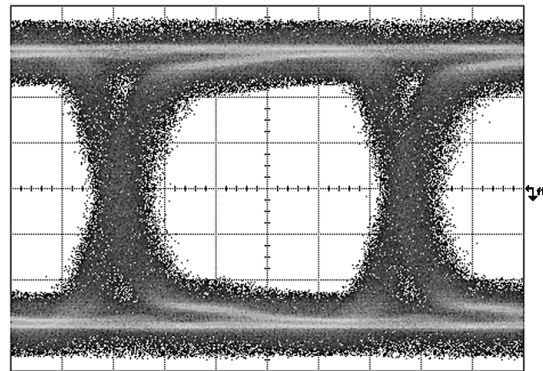
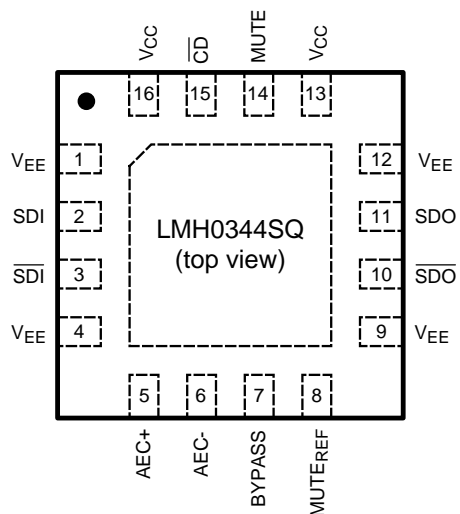


Figure 2. After Equalization: 120m of Belden 1694A with 2.97 Gbps Pseudo Matrix Pathological

CONNECTION DIAGRAM



The exposed die attach pad is a negative electrical terminal for this device. It should be connected to the negative power supply voltage.

Figure 3. 16-Pin WQFN
See Package Number RUM

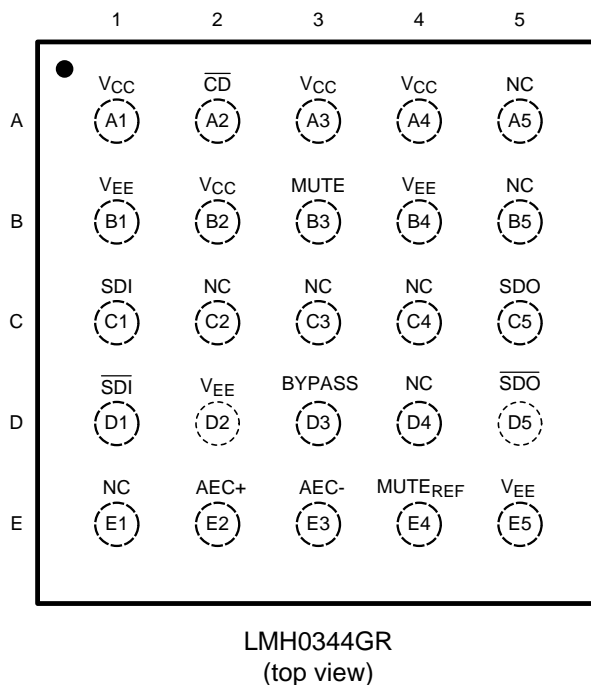
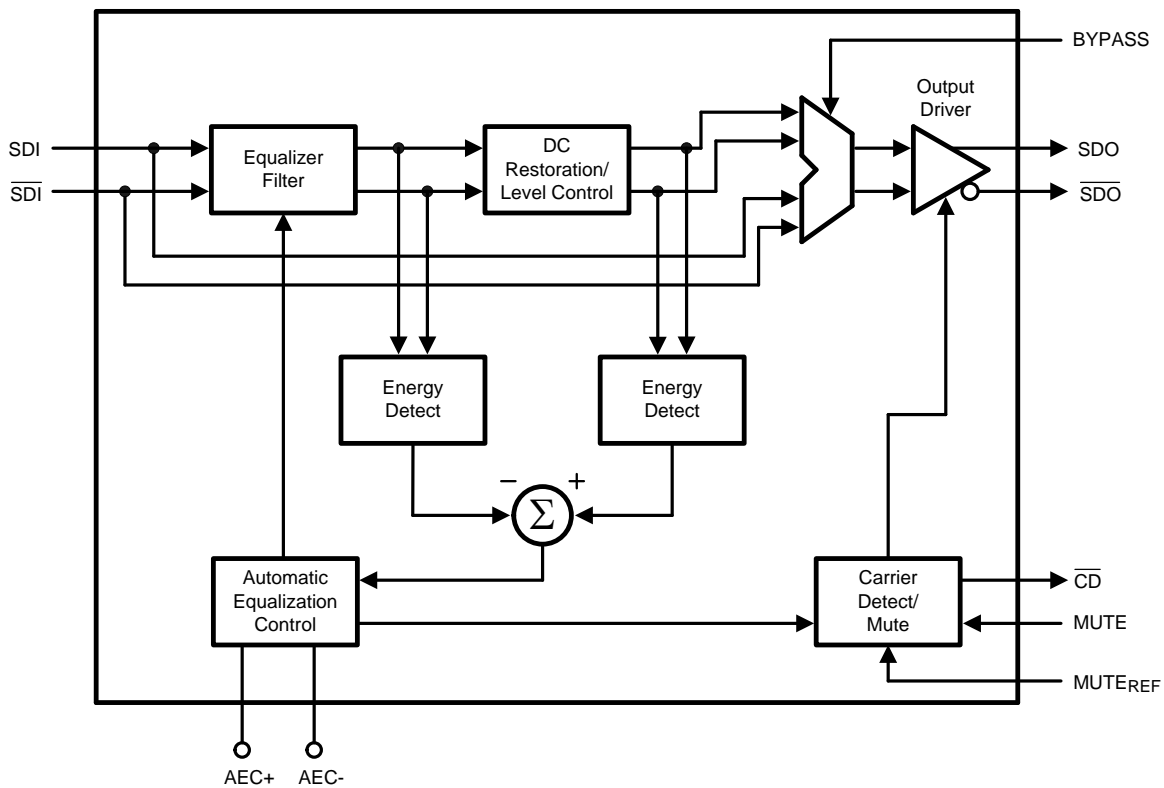


Figure 4. 25-Ball CS-BGA
See Package Number NYA

PIN DESCRIPTIONS

WQFN Pin	CS-BGA Ball	Name	Description
2	C1	SDI	Serial data true input.
3	D1	$\overline{\text{SDI}}$	Serial data complement input.
5	E2	AEC+	AEC loop filter external capacitor (1 μ F) positive connection.
6	E3	AEC-	AEC loop filter external capacitor (1 μ F) negative connection.
7	D3	BYPASS	Bypasses equalization and DC restoration when high. No equalization occurs in this mode.
8	E4	MUTE _{REF}	Mute reference. Sets the threshold for $\overline{\text{CD}}$ and (with $\overline{\text{CD}}$ tied to MUTE) determines the maximum cable to be equalized before muting. MUTE _{REF} may be either unconnected or connected to ground for maximum equalization.
10	D5	$\overline{\text{SDO}}$	Serial data complement output.
11	C5	SDO	Serial data true output.
14	B3	MUTE	Output mute. To disable the mute function and enable the output, MUTE must be tied to GND or a low level signal. To force the outputs to a muted state, tie to V _{CC} . $\overline{\text{CD}}$ may be tied to this pin to inhibit the output when no input signal is present. MUTE has no function in BYPASS mode.
15	A2	$\overline{\text{CD}}$	Carrier detect. $\overline{\text{CD}}$ is high when no signal is present. $\overline{\text{CD}}$ has no function in BYPASS mode.
13, 16	A1, A3, A4, B2	V _{CC}	Positive power supply (+3.3V).
DAP, 1, 4, 9, 12	B1, B4, D2, E5	V _{EE}	Negative power supply (ground).
—	A5, B5, C2, C3, C4, D4, E1	NC	No connect.

BLOCK DIAGRAM



DEVICE OPERATION

BLOCK DESCRIPTION

The **Equalizer Filter** block is a multi-stage adaptive filter. If Bypass is high, the equalizer filter is disabled.

The **DC Restoration / Level Control** block receives the differential signals from the equalizer filter block. This block incorporates a self-biasing DC restoration circuit to fully DC restore the signals. If Bypass is high, this function is disabled.

The signals before and after the DC Restoration / Level Control block are used to generate the **Automatic Equalization Control (AEC)** signal. This control signal sets the gain and bandwidth of the equalizer filter. The loop response in the AEC block is controlled by an external 1 μ F capacitor placed across the AEC+ and AEC- pins.

The **Carrier Detect / Mute** block generates the carrier detect signal and controls the mute function of the output. This block utilizes the $\overline{\text{CD}}$ and **MUTE** signals along with **Mute Reference (MUTE_{REF})**.

The **Output Driver** produces SDO and $\overline{\text{SDO}}$.

MUTE REFERENCE (MUTE_{REF})

The mute reference sets the threshold for $\overline{\text{CD}}$ and (with $\overline{\text{CD}}$ tied to MUTE) determines the amount of cable to equalize before automatically muting the outputs. This is set by applying a voltage inversely proportional to the length of cable to equalize. The applied voltage must be greater than the MUTE_{REF} floating voltage (typically 1.3V) in order to change the $\overline{\text{CD}}$ threshold. As the applied MUTE_{REF} voltage is increased, the amount of cable that can be equalized before carrier detect is de-asserted and the outputs are muted is decreased. MUTE_{REF} may be left unconnected or connected to ground for maximum equalization before muting.

CARRIER DETECT ($\overline{\text{CD}}$) AND MUTE

Carrier detect $\overline{\text{CD}}$ indicates if a valid signal is present at the LMH0344 input. If MUTE_{REF} is used, the carrier detect threshold will be altered accordingly. $\overline{\text{CD}}$ provides a high voltage when no signal is present at the LMH0344 input. $\overline{\text{CD}}$ is low when a valid input signal is detected.

MUTE can be used to manually mute or enable SDO and $\overline{\text{SDO}}$. Applying a high input to MUTE will mute the LMH0344 outputs by forcing the output to a logic zero. Applying a low input will force the outputs to be active.

$\overline{\text{CD}}$ and MUTE may be tied together to automatically mute the output when no input signal is present.

INPUT INTERFACING

The LMH0344 accepts either differential or single-ended input. The input must be AC coupled. Transformer coupling is not supported.

The LMH0344 correctly handles equalizer pathological signals for standard definition and high definition serial digital video, as described in SMPTE RP 178 and RP 198, respectively.

OUTPUT INTERFACING

The SDO and $\overline{\text{SDO}}$ outputs are internally loaded with 50 Ω . They produce a 750 mV_{p,p} differential output, or a 375 mV_{p,p} single-ended output.

REVISION HISTORY

Changes from Revision K (April 2013) to Revision L	Page
• Changed layout of National Data Sheet to TI format	7

PACKAGING INFORMATION

Orderable Device	Status (1)	Package Type	Package Drawing	Pins	Package Qty	Eco Plan (2)	Lead/Ball Finish	MSL Peak Temp (3)	Op Temp (°C)	Top-Side Markings (4)	Samples
LMH0344GR/NOPB	ACTIVE	csBGA	NYA	25	1000	Green (RoHS & no Sb/Br)	CU SNAGCU	Level-1-260C-UNLIM	-40 to 85	344G	Samples
LMH0344GRE/NOPB	ACTIVE	csBGA	NYA	25	250	Green (RoHS & no Sb/Br)	CU SNAGCU	Level-1-260C-UNLIM	-40 to 85	344G	Samples
LMH0344GRX/NOPB	ACTIVE	csBGA	NYA	25	3500	Green (RoHS & no Sb/Br)	CU SNAGCU	Level-1-260C-UNLIM	-40 to 85	344G	Samples
LMH0344SQ/NOPB	ACTIVE	WQFN	RUM	16	1000	Green (RoHS & no Sb/Br)	CU SN	Level-1-260C-UNLIM	-40 to 85	L0344	Samples
LMH0344SQE/NOPB	ACTIVE	WQFN	RUM	16	250	Green (RoHS & no Sb/Br)	CU SN	Level-1-260C-UNLIM	-40 to 85	L0344	Samples
LMH0344SQX/NOPB	ACTIVE	WQFN	RUM	16	4500	Green (RoHS & no Sb/Br)	CU SN	Level-1-260C-UNLIM	-40 to 85	L0344	Samples

(1) The marketing status values are defined as follows:

ACTIVE: Product device recommended for new designs.

LIFEBUY: TI has announced that the device will be discontinued, and a lifetime-buy period is in effect.

NRND: Not recommended for new designs. Device is in production to support existing customers, but TI does not recommend using this part in a new design.

PREVIEW: Device has been announced but is not in production. Samples may or may not be available.

OBSOLETE: TI has discontinued the production of the device.

(2) Eco Plan - The planned eco-friendly classification: Pb-Free (RoHS), Pb-Free (RoHS Exempt), or Green (RoHS & no Sb/Br) - please check <http://www.ti.com/productcontent> for the latest availability information and additional product content details.

TBD: The Pb-Free/Green conversion plan has not been defined.

Pb-Free (RoHS): TI's terms "Lead-Free" or "Pb-Free" mean semiconductor products that are compatible with the current RoHS requirements for all 6 substances, including the requirement that lead not exceed 0.1% by weight in homogeneous materials. Where designed to be soldered at high temperatures, TI Pb-Free products are suitable for use in specified lead-free processes.

Pb-Free (RoHS Exempt): This component has a RoHS exemption for either 1) lead-based flip-chip solder bumps used between the die and package, or 2) lead-based die adhesive used between the die and leadframe. The component is otherwise considered Pb-Free (RoHS compatible) as defined above.

Green (RoHS & no Sb/Br): TI defines "Green" to mean Pb-Free (RoHS compatible), and free of Bromine (Br) and Antimony (Sb) based flame retardants (Br or Sb do not exceed 0.1% by weight in homogeneous material)

(3) MSL, Peak Temp. -- The Moisture Sensitivity Level rating according to the JEDEC industry standard classifications, and peak solder temperature.

(4) Multiple Top-Side Markings will be inside parentheses. Only one Top-Side Marking contained in parentheses and separated by a "~" will appear on a device. If a line is indented then it is a continuation of the previous line and the two combined represent the entire Top-Side Marking for that device.

Important Information and Disclaimer: The information provided on this page represents TI's knowledge and belief as of the date that it is provided. TI bases its knowledge and belief on information provided by third parties, and makes no representation or warranty as to the accuracy of such information. Efforts are underway to better integrate information from third parties. TI has taken and continues to take reasonable steps to provide representative and accurate information but may not have conducted destructive testing or chemical analysis on incoming materials and chemicals. TI and TI suppliers consider certain information to be proprietary, and thus CAS numbers and other limited information may not be available for release.

In no event shall TI's liability arising out of such information exceed the total purchase price of the TI part(s) at issue in this document sold by TI to Customer on an annual basis.

TAPE AND REEL INFORMATION

QUADRANT ASSIGNMENTS FOR PIN 1 ORIENTATION IN TAPE


*All dimensions are nominal

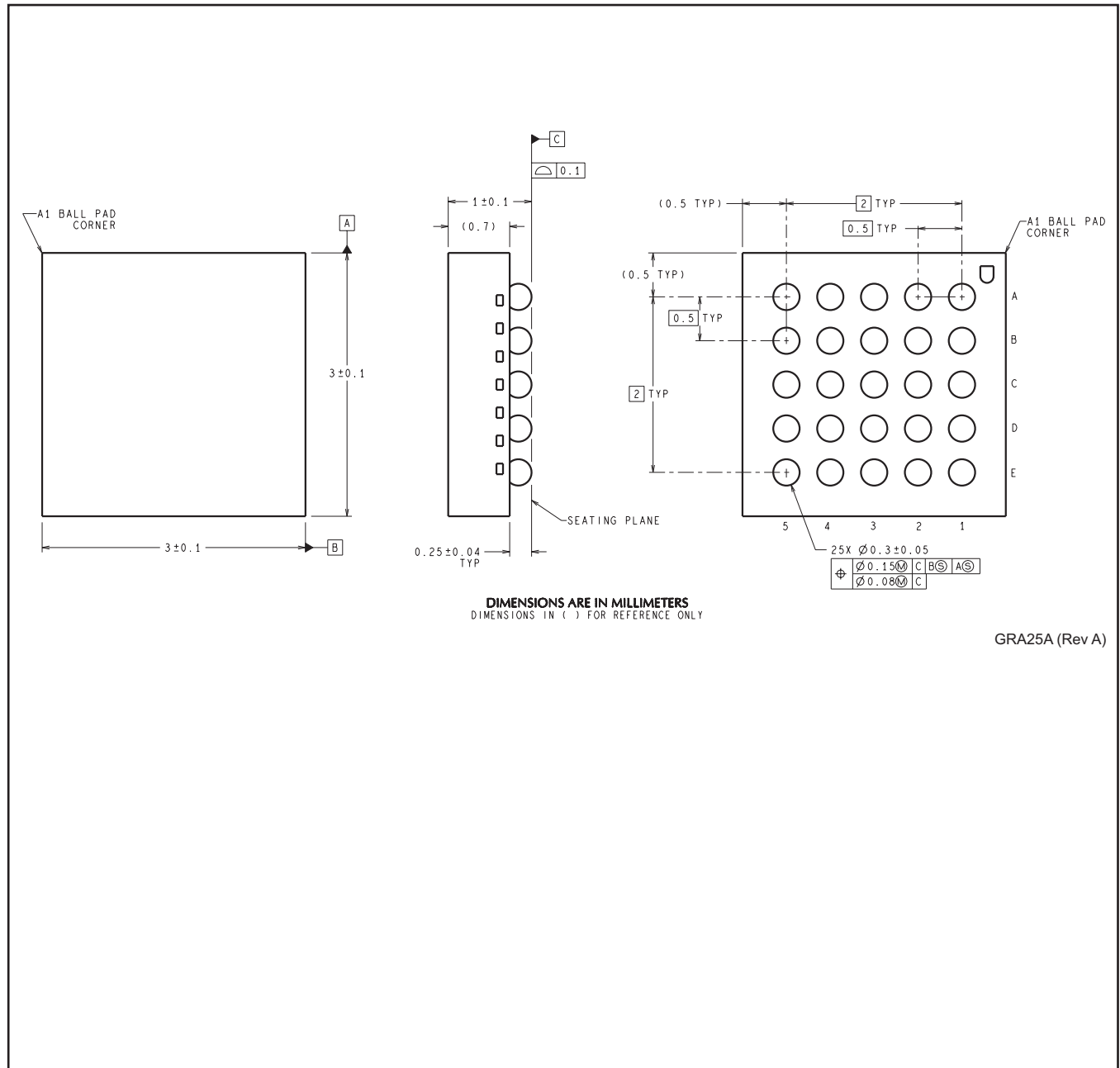
Device	Package Type	Package Drawing	Pins	SPQ	Reel Diameter (mm)	Reel Width W1 (mm)	A0 (mm)	B0 (mm)	K0 (mm)	P1 (mm)	W (mm)	Pin1 Quadrant
LMH0344GR/NOPB	csBGA	NYA	25	1000	178.0	12.4	3.3	3.3	1.6	8.0	12.0	Q1
LMH0344GRE/NOPB	csBGA	NYA	25	250	178.0	12.4	3.3	3.3	1.6	8.0	12.0	Q1
LMH0344GRX/NOPB	csBGA	NYA	25	3500	330.0	12.4	3.3	3.3	1.6	8.0	12.0	Q1
LMH0344SQ/NOPB	WQFN	RUM	16	1000	178.0	12.4	4.3	4.3	1.3	8.0	12.0	Q1
LMH0344SQE/NOPB	WQFN	RUM	16	250	178.0	12.4	4.3	4.3	1.3	8.0	12.0	Q1
LMH0344SQX/NOPB	WQFN	RUM	16	4500	330.0	12.4	4.3	4.3	1.3	8.0	12.0	Q1

TAPE AND REEL BOX DIMENSIONS


*All dimensions are nominal

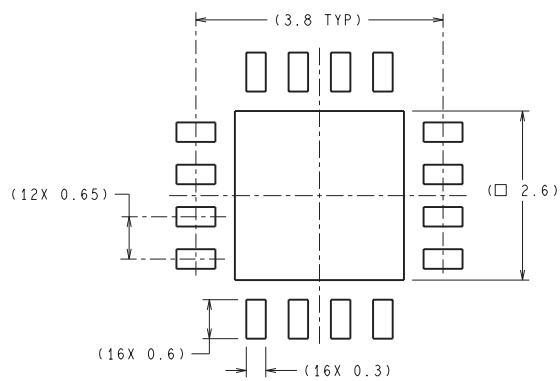
Device	Package Type	Package Drawing	Pins	SPQ	Length (mm)	Width (mm)	Height (mm)
LMH0344GR/NOPB	csBGA	NYA	25	1000	210.0	185.0	35.0
LMH0344GRE/NOPB	csBGA	NYA	25	250	210.0	185.0	35.0
LMH0344GRX/NOPB	csBGA	NYA	25	3500	367.0	367.0	35.0
LMH0344SQ/NOPB	WQFN	RUM	16	1000	210.0	185.0	35.0
LMH0344SQE/NOPB	WQFN	RUM	16	250	210.0	185.0	35.0
LMH0344SQX/NOPB	WQFN	RUM	16	4500	367.0	367.0	35.0

NYA0025A



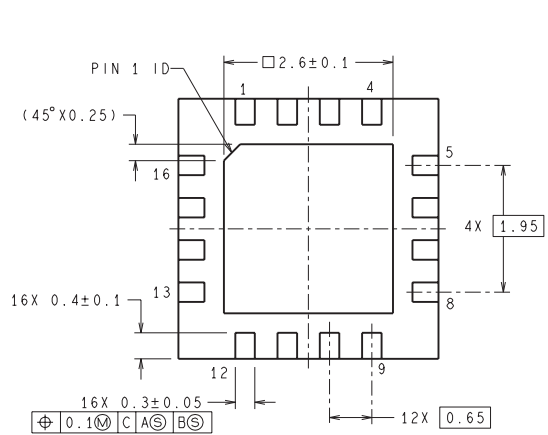
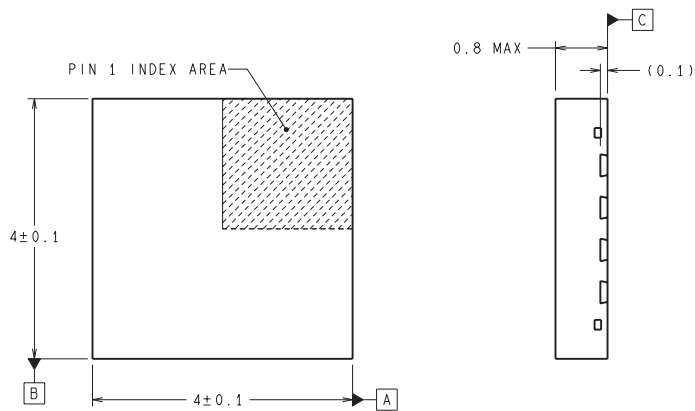
GRA25A (Rev A)

RUM0016A



RECOMMENDED LAND PATTERN

DIMENSIONS ARE IN MILLIMETERS
DIMENSIONS IN () FOR REFERENCE ONLY



SQB16A (Rev A)

IMPORTANT NOTICE

Texas Instruments Incorporated and its subsidiaries (TI) reserve the right to make corrections, enhancements, improvements and other changes to its semiconductor products and services per JESD46, latest issue, and to discontinue any product or service per JESD48, latest issue. Buyers should obtain the latest relevant information before placing orders and should verify that such information is current and complete. All semiconductor products (also referred to herein as "components") are sold subject to TI's terms and conditions of sale supplied at the time of order acknowledgment.

TI warrants performance of its components to the specifications applicable at the time of sale, in accordance with the warranty in TI's terms and conditions of sale of semiconductor products. Testing and other quality control techniques are used to the extent TI deems necessary to support this warranty. Except where mandated by applicable law, testing of all parameters of each component is not necessarily performed.

TI assumes no liability for applications assistance or the design of Buyers' products. Buyers are responsible for their products and applications using TI components. To minimize the risks associated with Buyers' products and applications, Buyers should provide adequate design and operating safeguards.

TI does not warrant or represent that any license, either express or implied, is granted under any patent right, copyright, mask work right, or other intellectual property right relating to any combination, machine, or process in which TI components or services are used. Information published by TI regarding third-party products or services does not constitute a license to use such products or services or a warranty or endorsement thereof. Use of such information may require a license from a third party under the patents or other intellectual property of the third party, or a license from TI under the patents or other intellectual property of TI.

Reproduction of significant portions of TI information in TI data books or data sheets is permissible only if reproduction is without alteration and is accompanied by all associated warranties, conditions, limitations, and notices. TI is not responsible or liable for such altered documentation. Information of third parties may be subject to additional restrictions.

Resale of TI components or services with statements different from or beyond the parameters stated by TI for that component or service voids all express and any implied warranties for the associated TI component or service and is an unfair and deceptive business practice. TI is not responsible or liable for any such statements.

Buyer acknowledges and agrees that it is solely responsible for compliance with all legal, regulatory and safety-related requirements concerning its products, and any use of TI components in its applications, notwithstanding any applications-related information or support that may be provided by TI. Buyer represents and agrees that it has all the necessary expertise to create and implement safeguards which anticipate dangerous consequences of failures, monitor failures and their consequences, lessen the likelihood of failures that might cause harm and take appropriate remedial actions. Buyer will fully indemnify TI and its representatives against any damages arising out of the use of any TI components in safety-critical applications.

In some cases, TI components may be promoted specifically to facilitate safety-related applications. With such components, TI's goal is to help enable customers to design and create their own end-product solutions that meet applicable functional safety standards and requirements. Nonetheless, such components are subject to these terms.

No TI components are authorized for use in FDA Class III (or similar life-critical medical equipment) unless authorized officers of the parties have executed a special agreement specifically governing such use.

Only those TI components which TI has specifically designated as military grade or "enhanced plastic" are designed and intended for use in military/aerospace applications or environments. Buyer acknowledges and agrees that any military or aerospace use of TI components which have **not** been so designated is solely at the Buyer's risk, and that Buyer is solely responsible for compliance with all legal and regulatory requirements in connection with such use.

TI has specifically designated certain components as meeting ISO/TS16949 requirements, mainly for automotive use. In any case of use of non-designated products, TI will not be responsible for any failure to meet ISO/TS16949.

Products

Audio	www.ti.com/audio
Amplifiers	amplifier.ti.com
Data Converters	dataconverter.ti.com
DLP® Products	www.dlp.com
DSP	dsp.ti.com
Clocks and Timers	www.ti.com/clocks
Interface	interface.ti.com
Logic	logic.ti.com
Power Mgmt	power.ti.com
Microcontrollers	microcontroller.ti.com
RFID	www.ti-rfid.com
OMAP Applications Processors	www.ti.com/omap
Wireless Connectivity	www.ti.com/wirelessconnectivity

Applications

Automotive and Transportation	www.ti.com/automotive
Communications and Telecom	www.ti.com/communications
Computers and Peripherals	www.ti.com/computers
Consumer Electronics	www.ti.com/consumer-apps
Energy and Lighting	www.ti.com/energy
Industrial	www.ti.com/industrial
Medical	www.ti.com/medical
Security	www.ti.com/security
Space, Avionics and Defense	www.ti.com/space-avionics-defense
Video and Imaging	www.ti.com/video

TI E2E Community

e2e.ti.com