

## DS78LS120/DS78LS120QML Dual Differential Line Receiver (Noise Filtering and Fail-Safe)

Check for Samples: [DS78LS120QML](#), [DS78LS120](#)

### FEATURES

- Meets EIA Standards RS232-C, RS422 and RS423, Federal Standards 1020, 1030 and MIL-188-114
- Input Voltage Range of  $\pm 15\text{V}$  (Differential or Common-mode)
- Separate Strobe Input for Each Receiver
- 5k Typical Input Impedance
- Optional 180 $\Omega$  Termination Resistor
- 50mV Input Hysteresis
- 200mV Input Threshold
- Separate Fail-safe Mode

### DESCRIPTION

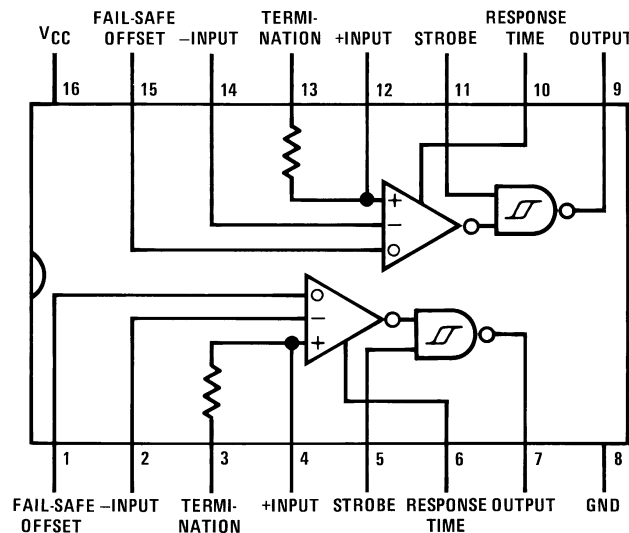
The DS78LS120QML is a high performance, dual differential, TTL compatible line receiver for both balanced and unbalanced digital data transmission. The inputs are compatible with EIA, Federal and MIL standards.

The line receiver will discriminate a  $\pm 200\text{ mV}$  input signal over a common-mode range of  $\pm 10\text{V}$  and a  $\pm 300\text{ mV}$  signal over a range of  $\pm 15\text{V}$ .

Circuit features include hysteresis and response control for applications where controlled rise and fall times and/or high frequency noise rejection are desirable. Threshold offset control is provided for fail-safe detection, should the input be open or short. Each receiver includes an optional 180 $\Omega$  terminating resistor and the output gate contains a logic strobe for time discrimination. The DS78LS120QML is specified over a  $-55^\circ\text{C}$  to  $+125^\circ\text{C}$  temperature range.

Input specifications meet or exceed those of the popular DS7820 line receiver.

### Connection Diagram



**Figure 1. CDIP / CLGA**  
See RETS Data Sheet  
See Package Number NFE0016A or NAD0016A



Please be aware that an important notice concerning availability, standard warranty, and use in critical applications of Texas Instruments semiconductor products and disclaimers thereto appears at the end of this data sheet.

All trademarks are the property of their respective owners.



These devices have limited built-in ESD protection. The leads should be shorted together or the device placed in conductive foam during storage or handling to prevent electrostatic damage to the MOS gates.

### Absolute Maximum Ratings<sup>(1)(2)</sup>

Supply Voltage	7V
Input Voltage	±25V
Strobe Voltage	7V
Output Sink Current	50 mA
Storage Temperature Range	-65°C to +150°C
Maximum Power Dissipation at 25°C <sup>(3)</sup>	1433 mW
Lead Temperature (Soldering, 4 sec)	260°C

- (1) "Absolute Maximum Ratings" are those values beyond which the safety of the device cannot be ensured. Except for "Operating Temperature Range" they are not meant to imply that the devices should be operated at these limits. The table of "Electrical Characteristics" provides conditions for actual device operation.
- (2) If Military/Aerospace specified devices are required, please contact the TI Sales Office/Distributors for availability and specifications.
- (3) Derate CDIP package 9.6 mW/°C above 25°C.

### Operating Conditions

	Min	Max	Units
Supply Voltage ( $V_{CC}$ )	4.5	5.5	V
Temperature ( $T_A$ )	-55	+125	°C
Common-Mode Voltage ( $V_{CM}$ )	-15	+15	V

### Electrical Characteristics<sup>(1)(2)</sup>

Symbol	Parameter	Conditions	Min	Typ	Max	Units
$V_{TH}$	Differential Threshold Voltage	$I_{OUT} = -400 \mu A, V_{OUT} \geq 2.5V$	$-7V \leq V_{CM} \leq 7V$	0.06	0.2	V
			$-15 \leq V_{CM} \leq 15V$	0.06	0.3	V
$V_{TL}$	Differential Threshold Voltage	$I_{OUT} = 4 \text{ mA}, V_{OUT} \leq 0.5V$	$-7V \leq V_{CM} \leq 7V$	-0.08	-0.2	V
			$-15V \leq V_{CM} \leq 15V$	-0.08	-0.3	V
$V_{TH}$	Differential Threshold Voltage	$I_{OUT} = -400 \mu A, V_{OUT} \geq 2.5V$		0.47	0.7	V
$V_{TL}$	with Fail-Safe Offset = 5V	$I_{OUT} = 4 \text{ mA}, V_{OUT} \leq 0.5V$	-0.2	-0.42		V
$R_{IN}$	Input Resistance	$-15V \leq V_{CM} \leq 15V, 0V \leq V_{CC} \leq 7V$	4	5		k $\Omega$
$R_T$	Line Termination Resistance	$T_A = 25^\circ C$	100	180	300	$\Omega$
$R_O$	Offset Control Resistance	$T_A = 25^\circ C$	42	56	70	k $\Omega$
$I_{IND}$	Data Input Current (Unterminated)	$0V \leq V_{CC} \leq 7V$	$V_{CM} = 10V$	2	3.1	mA
			$V_{CM} = 0V$	0	-0.5	mA
			$V_{CM} = -10V$	-2	-3.1	mA
$V_{THB}$	Input Balance <sup>(3)</sup>	$-7V \leq V_{CM} \leq 7V$	$I_{OUT} = -400 \mu A, V_{OUT} \geq 2.5V,$ $R_S = 500\Omega$	0.1	0.4	V
			$I_{OUT} = 4 \text{ mA}, V_{OUT} \leq 0.5V,$ $R_S = 500\Omega$	-0.1	-0.4	V
				$-7V \leq V_{CM} \leq 7V$		
$V_{OH}$	Logical "1" Output Voltage	$I_{OUT} = -400 \mu A, V_{DIFF} = 1V, V_{CC} = 4.5V$	2.5	3		V
$V_{OL}$	Logical "0" Output Voltage	$I_{OUT} = 4 \text{ mA}, V_{DIFF} = -1V, V_{CC} = 4.5V$		0.35	0.5	V
$I_{CC}$	Power Supply Current	$V_{CC} = 5.5V$	$V_{CM} = 15V$	10	16	mA
		$V_{DIFF} = -0.5V, (\text{Both Receivers})$	$V_{CM} = -15V$	10	16	mA

- (1) Unless otherwise specified min/max limits apply across the -55°C to +125°C temperature range for the DS78LS120QML. All typical values are for  $T_A = 25^\circ C, V_{CC} = 5V$  and  $V_{CM} = 0V$ .
- (2) All currents into device pins shown as positive, out of device pins as negative, all voltages referenced to ground unless otherwise noted. All values shown as max or min on absolute value basis.
- (3) Refer to EIA-RS422 for exact conditions.

**Electrical Characteristics<sup>(1)(2)</sup> (continued)**

Symbol	Parameter	Conditions	Min	Typ	Max	Units
$I_{IN(1)}$	Logical "1" Strobe Input Current	$V_{STROBE} = 5.5V, V_{DIFF} = 3V$		1	100	$\mu A$
$I_{IN(0)}$	Logical "0" Strobe Input Current	$V_{STROBE} = 0V, V_{DIFF} = -3V$		-290	-400	$\mu A$
$V_{IH}$	Logical "1" Strobe Input Voltage	$V_{OL} \leq 0.5, I_{OUT} = 4mA$	2.0	1.12		V
$V_{IL}$	Logical "0" Strobe Input Voltage	$V_{OH} \geq 2.5V, I_{OUT} = -400 \mu A$		1.12	0.8	V
$I_{OS}$	Output Short-Circuit Current	$V_{OUT} = 0V, V_{CC} = 5.5V, V_{STROBE} = 0V^{(4)}$	-30	-100	-170	mA

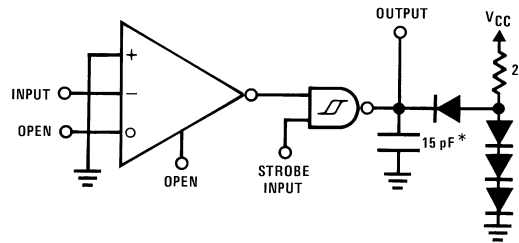
(4) Only one output at a time should be shorted.

**Switching Characteristics**

$V_{CC} = 5V, T_A = 25^\circ C$

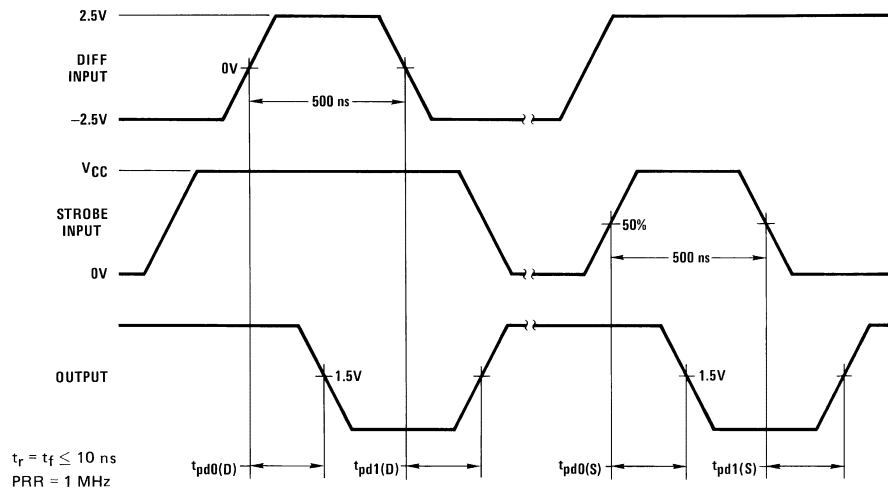
Symbol	Parameter	Conditions	Min	Typ	Max	Units
$t_{pd0(D)}$	Differential Input to "0" Output	Response Pin Open, $C_L = 15 pF, R_L = 2 k\Omega$		38	60	ns
$t_{pd1(D)}$	Differential Input to "1" Output			38	60	ns
$t_{pd0(S)}$	Strobe Input to "0" Output			16	25	ns
$t_{pd1(S)}$	Strobe Input to "1" Output			12	25	ns

**AC Test Circuit and Switching Time Waveforms**



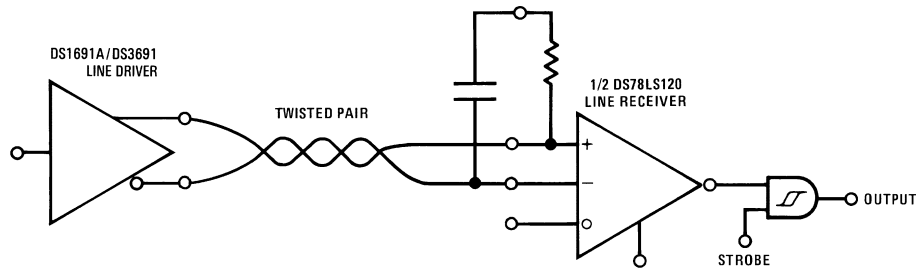
Includes probe and test fixture capacitance

**Figure 2. Differential and Strobe Input Signal**

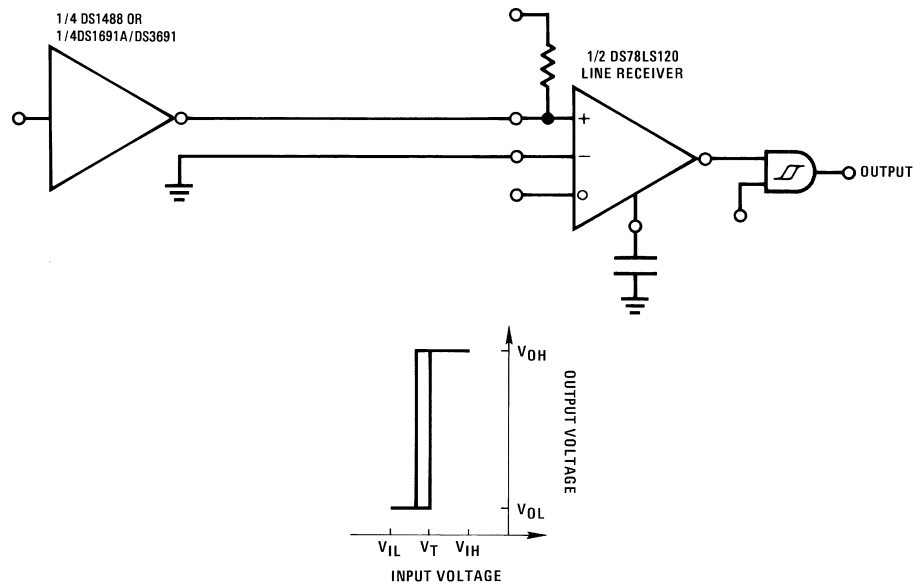


**Note:** Optimum switching response is obtained by minimizing stray capacitance on Response Control pin (no external connection).

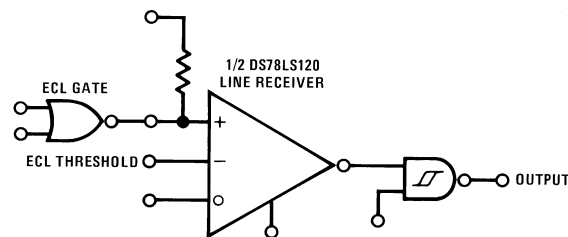
## APPLICATION HINTS



**Figure 3. Balanced Data Transmission**



**Figure 4. Unbalanced Data Transmission**



**Figure 5. Logic Level Translator**

The DS78LS120QML may be used as a level translator to interface between  $\pm 12\text{V}$  MOS, ECL, TTL and CMOS. To configure, bias either input to a voltage equal to  $\frac{1}{2}$  the voltage of the input signal, and the other input to the driving gate.

## LINE DRIVERS

Line drivers which will interface with the DS78LS120QML are listed below.

### Balanced Drivers

DS26LS31: Quad RS-422 Line Driver, Dual CMOS

DS7830, DS8830: Dual TTL

DS7831, DS8831: Dual TRI-STATE TTL

DS7832, DS8832: Dual TRI-STATE TTL

DS1691A, DS3691: Quad RS-423/Dual RS-422 TTL

DS1692, DS3692: Quad RS-423/Dual TRI-STATE RS-422 TTL

DS3487: Quad TRI-STATE RS-422

### Unbalanced Drivers

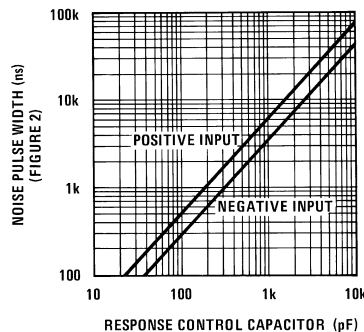
DS1488: Quad RS-232

DS75150: Dual RS-232

## RESPONSE CONTROL AND HYSTERESIS

In unbalanced (RS-232/RS-423) applications it is recommended that the rise time and fall time of the line driver be controlled to reduce cross-talk. Elimination of switching noise is accomplished in the DS78LS120QML by the 50 mV of hysteresis incorporated in the output gate. This eliminates the oscillations which may appear in a line receiver due to the input signal slowly varying about the threshold level for extended periods of time.

High frequency noise which is superimposed on the input signal which may exceed 50 mV can be reduced in amplitude by filtering the device input. On the DS78LS120QML, a high impedance response control pin in the input amplifier is available to filter the input signal without affecting the termination impedance of the transmission line. Noise pulse width rejection vs the value of the response control capacitor is shown in [Figure 6](#) and [Figure 7](#). This combination of filters followed by hysteresis will optimize performance in a worse case noise environment.



**Figure 6. Noise Pulse Width vs Response Control Capacitor**

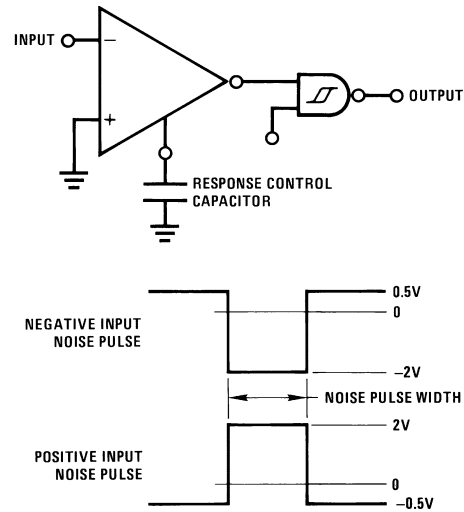


Figure 7.

## TRANSMISSION LINE TERMINATION

On a transmission line which is electrically long, it is advisable to terminate the line in its characteristic impedance to prevent signal reflection and its associated noise/cross-talk. A 180Ω termination resistor is provided in the DS78LS120QML line receiver. To use the termination resistor, connect pins 2 and 3 together and pins 13 and 14 together. The 180Ω resistor provides a good compromise between line reflections, power dissipation in the driver, and IR drop in the transmission line. If power dissipation and IR drop are still a concern, a capacitor may be connected in series with the resistor to minimize power loss.

The value of the capacitor is recommended to be the line length (time) divided by 3 times the resistor value. Example: if the transmission line is 1,000 feet long, (approximately 1000 ns), and the termination resistor value is 180Ω, the capacitor value should be 1852 pF. For additional application details, refer to application notes [AN-22](#) and [AN-108](#).

## FAIL-SAFE OPERATION

Communication systems require elements of a system to detect the presence of signals in the transmission lines, and it is desirable to have the system shut-down in a fail-safe mode if the transmission line is open or shorted. To facilitate the detection of input opens or shorts, the DS78LS120QML incorporates an input threshold voltage offset. This feature will force the line receiver to a specific logic state if presence of either fault is a condition.

Given that the receiver input threshold is  $\pm 200$  mV, an input signal greater than  $\pm 200$  mV insures the receiver will be in a specific logic state. When the offset control input (pins 1 and 15) is connected to  $V_{CC} = 5V$ , the input thresholds are offset from 200 mV to 700 mV, referred to the non-inverting input, or  $-200$  mV to  $-700$  mV, referred to the inverting input. Therefore, if the input is open or shorted, the input will be greater than the input threshold and the receiver will remain in a specified logic state.

The input circuit of the receiver consists of a 5k resistor terminated to ground through 120Ω on both inputs. This network acts as an attenuator, and permits operation with common-mode input voltages greater than  $\pm 15V$ . The offset control input is actually another input to the attenuator, but its resistor value is 56k. The offset control input is connected to the inverting input side of the attenuator, and the input voltage to the amplifier is the sum of the inverting input plus 0.09 times the voltage on the offset control input. When the offset control input is connected to 5V the input amplifier will see  $V_{IN(INVERTING)} + 0.45V$  or  $V_{IN(INVERTING)} + 0.9V$  when the control input is connected to 10V. The offset control input will not significantly affect the differential performance of the receiver over its common-mode operating range, and will not change the input impedance balance of the receiver.

It is recommended that the receiver be terminated (500Ω or less) to insure it will detect an open circuit in the presence of noise.

The offset control can be used to insure fail-safe operation for unbalanced interface (RS-423) or for balanced interface (RS-422) operation.

For unbalanced operation, the receiver would be in an indeterminate logic state if the offset control input was open. Connecting the fail-safe offset pin to 5V, offsets the receiver threshold to 0.45V. The output is forced to a logic zero state if the input is open or shorted.

Figure 8. Unbalanced RS-423 and RS-232 Fail-Safe

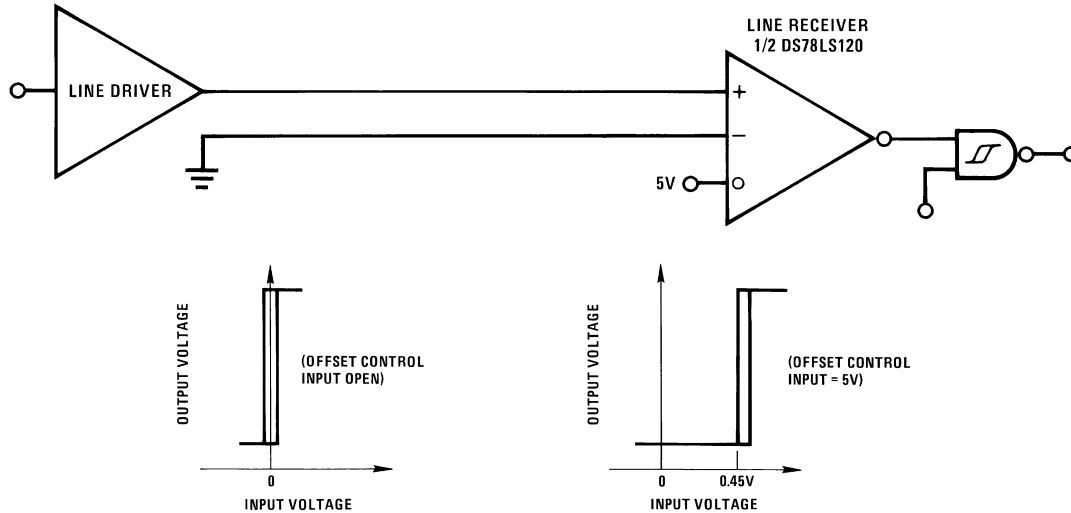
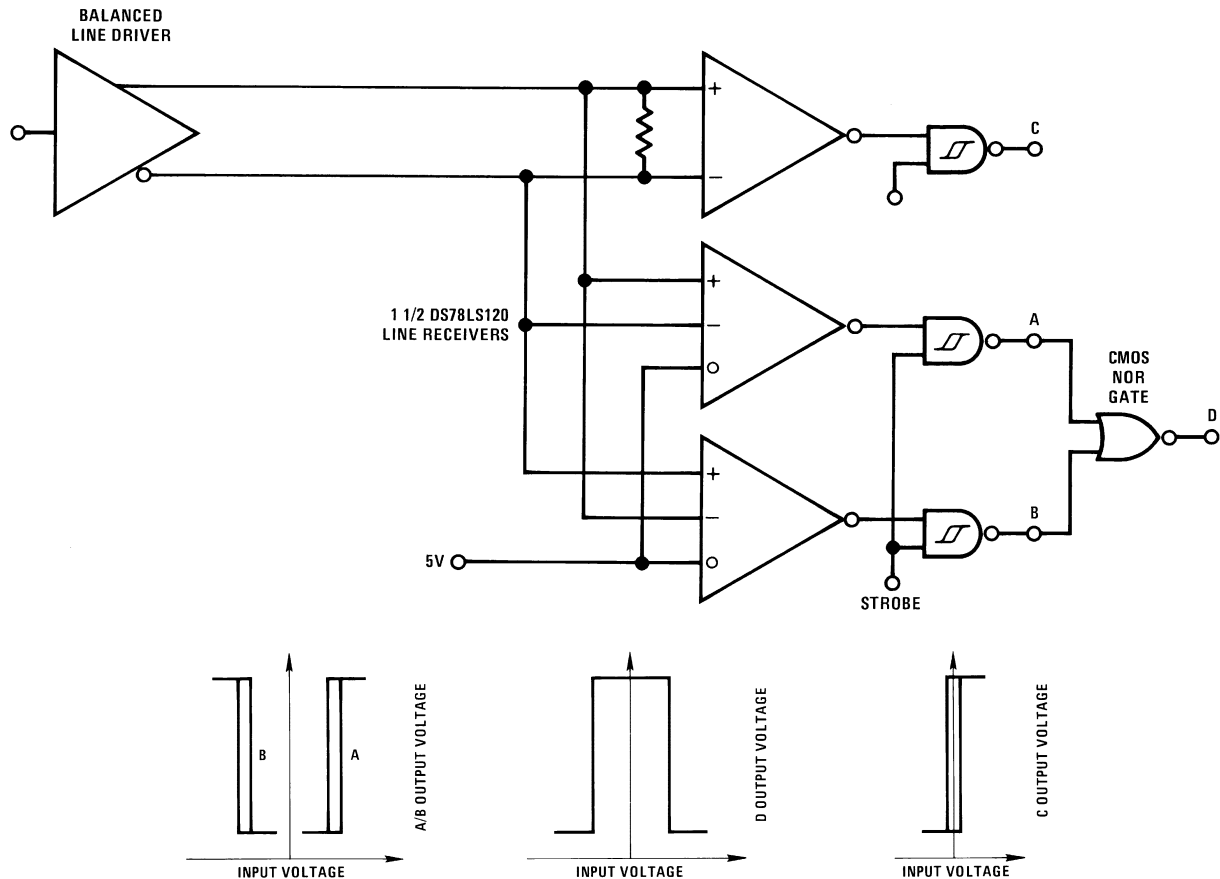


Figure 9. Balanced RS-422 Fail-Safe



For balanced operation with inputs open or shorted, receiver C will be in an indeterminate logic state. Receivers A and B will be in a logic zero state allowing the NOR gate to detect the open or short condition. The strobe will disable receivers A and B and may therefore be used to sample the fail-safe detector. Another method of fail-safe detection consists of filtering the output of NOR gate D so it would not indicate a fault condition when receiver inputs pass through the threshold region, generating an output transient.

In a communications system, only the control signals are required to detect input fault conditions. Advantages of a balanced data transmission system over an unbalanced transmission system are:

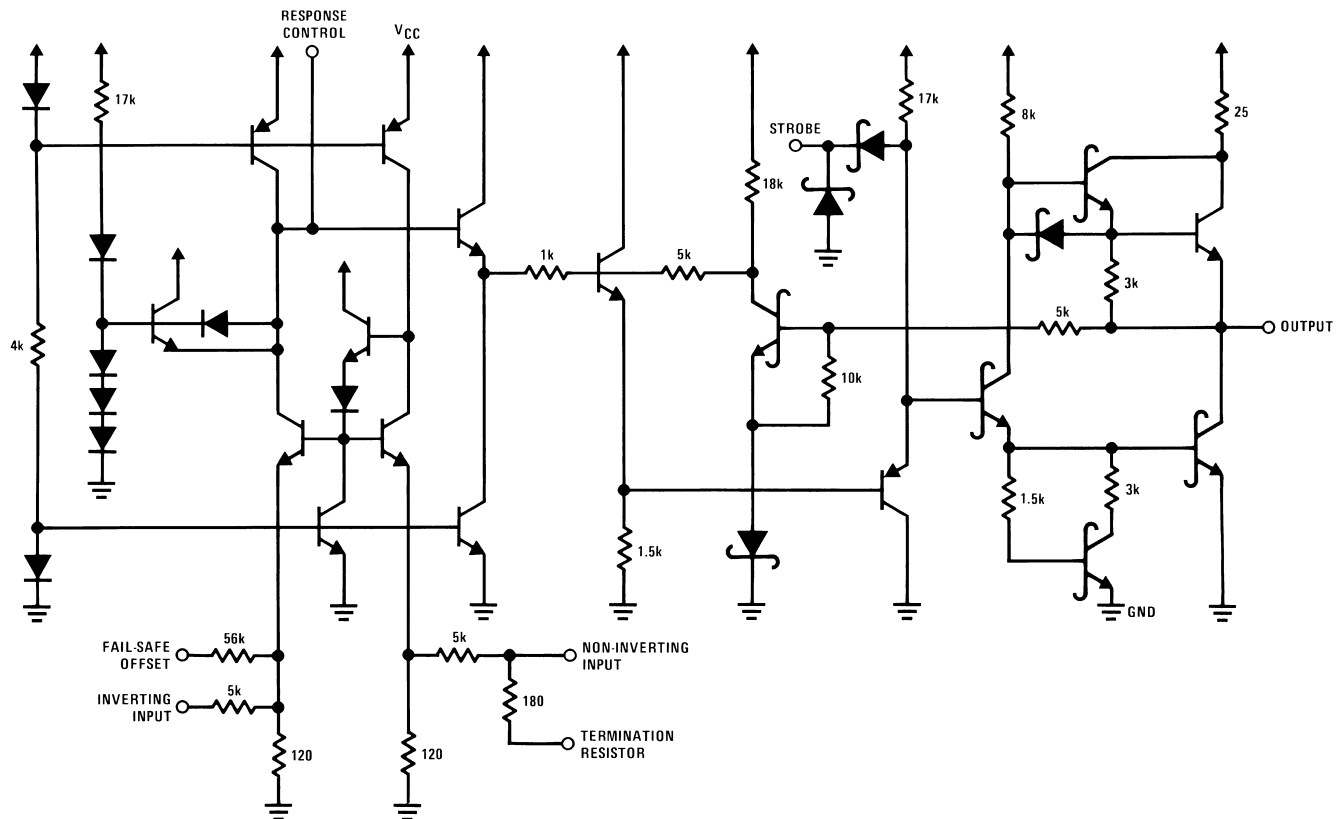
1. High noise immunity
2. High data ratio
3. Long line lengths

### Truth Table

(For Balanced Fail-Safe)

Input	Strobe	A-Out	B-Out	C-Out	D-Out
0	1	0	1	0	0
1	1	1	0	1	0
X	1	0	0	X	1
0	0	1	1	0	0
1	0	1	1	0	0
X	0	1	1	0	0

### Schematic Diagram





**REVISION HISTORY**

<b>Changes from Revision B (April 2013) to Revision C</b>	<b>Page</b>
• Changed layout of National Data Sheet to TI format .....	<b>8</b>

**PACKAGING INFORMATION**

Orderable Device	Status (1)	Package Type	Package Drawing	Pins	Package Qty	Eco Plan (2)	Lead/Ball Finish	MSL Peak Temp (3)	Op Temp (°C)	Top-Side Markings (4)	Samples
DS78LS120J/883	ACTIVE	CDIP	NFE	16	25	TBD	Call TI	Call TI	-55 to 125	DS78LS120J/883 Q	<a href="#">Samples</a>

(1) The marketing status values are defined as follows:

**ACTIVE:** Product device recommended for new designs.

**LIFEBUY:** TI has announced that the device will be discontinued, and a lifetime-buy period is in effect.

**NRND:** Not recommended for new designs. Device is in production to support existing customers, but TI does not recommend using this part in a new design.

**PREVIEW:** Device has been announced but is not in production. Samples may or may not be available.

**OBSOLETE:** TI has discontinued the production of the device.

(2) Eco Plan - The planned eco-friendly classification: Pb-Free (RoHS), Pb-Free (RoHS Exempt), or Green (RoHS & no Sb/Br) - please check <http://www.ti.com/productcontent> for the latest availability information and additional product content details.

**TBD:** The Pb-Free/Green conversion plan has not been defined.

**Pb-Free (RoHS):** TI's terms "Lead-Free" or "Pb-Free" mean semiconductor products that are compatible with the current RoHS requirements for all 6 substances, including the requirement that lead not exceed 0.1% by weight in homogeneous materials. Where designed to be soldered at high temperatures, TI Pb-Free products are suitable for use in specified lead-free processes.

**Pb-Free (RoHS Exempt):** This component has a RoHS exemption for either 1) lead-based flip-chip solder bumps used between the die and package, or 2) lead-based die adhesive used between the die and leadframe. The component is otherwise considered Pb-Free (RoHS compatible) as defined above.

**Green (RoHS & no Sb/Br):** TI defines "Green" to mean Pb-Free (RoHS compatible), and free of Bromine (Br) and Antimony (Sb) based flame retardants (Br or Sb do not exceed 0.1% by weight in homogeneous material)

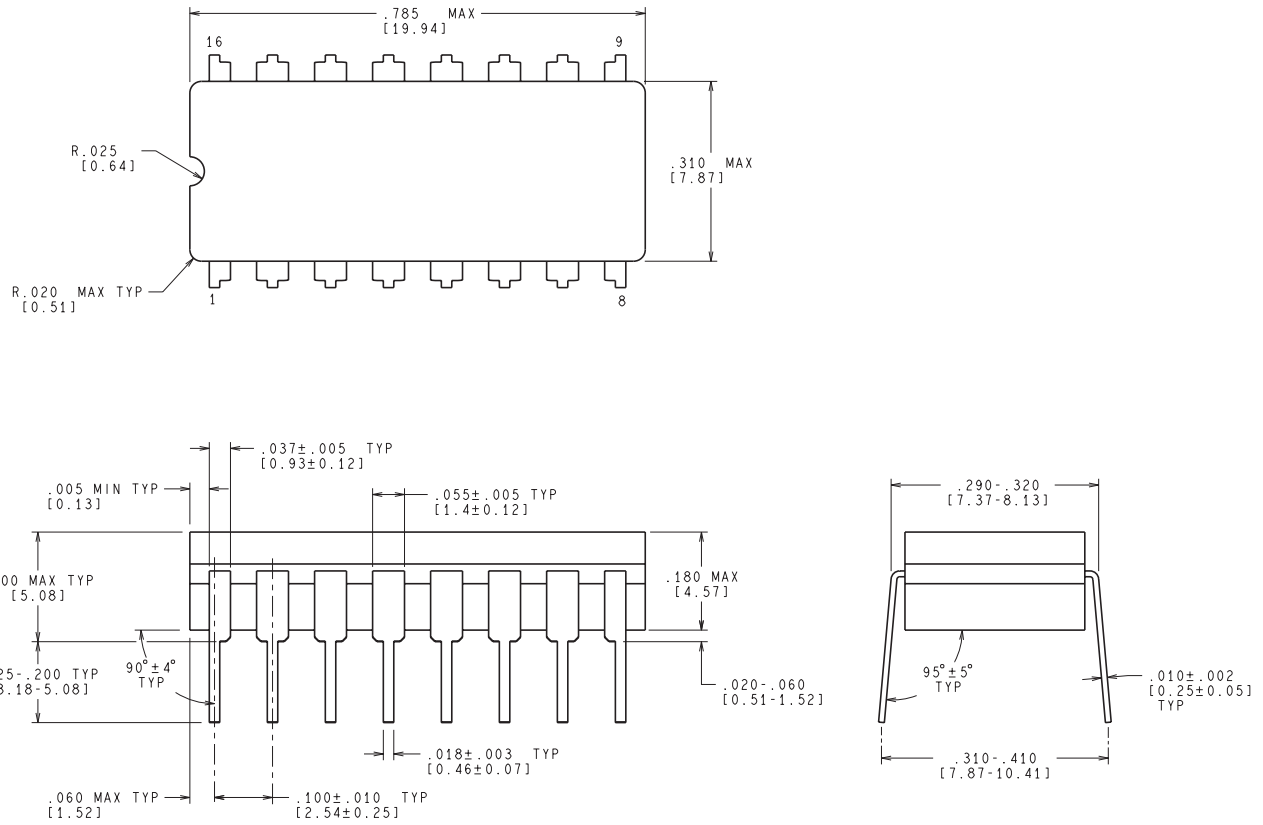
(3) MSL, Peak Temp. -- The Moisture Sensitivity Level rating according to the JEDEC industry standard classifications, and peak solder temperature.

(4) Multiple Top-Side Markings will be inside parentheses. Only one Top-Side Marking contained in parentheses and separated by a "~" will appear on a device. If a line is indented then it is a continuation of the previous line and the two combined represent the entire Top-Side Marking for that device.

**Important Information and Disclaimer:** The information provided on this page represents TI's knowledge and belief as of the date that it is provided. TI bases its knowledge and belief on information provided by third parties, and makes no representation or warranty as to the accuracy of such information. Efforts are underway to better integrate information from third parties. TI has taken and continues to take reasonable steps to provide representative and accurate information but may not have conducted destructive testing or chemical analysis on incoming materials and chemicals. TI and TI suppliers consider certain information to be proprietary, and thus CAS numbers and other limited information may not be available for release.

In no event shall TI's liability arising out of such information exceed the total purchase price of the TI part(s) at issue in this document sold by TI to Customer on an annual basis.

NFE0016A



CONTROLLING DIMENSION IS INCH  
VALUES IN [ ] ARE MILLIMETERS

J16A (REV L)

## IMPORTANT NOTICE

Texas Instruments Incorporated and its subsidiaries (TI) reserve the right to make corrections, enhancements, improvements and other changes to its semiconductor products and services per JESD46, latest issue, and to discontinue any product or service per JESD48, latest issue. Buyers should obtain the latest relevant information before placing orders and should verify that such information is current and complete. All semiconductor products (also referred to herein as "components") are sold subject to TI's terms and conditions of sale supplied at the time of order acknowledgment.

TI warrants performance of its components to the specifications applicable at the time of sale, in accordance with the warranty in TI's terms and conditions of sale of semiconductor products. Testing and other quality control techniques are used to the extent TI deems necessary to support this warranty. Except where mandated by applicable law, testing of all parameters of each component is not necessarily performed.

TI assumes no liability for applications assistance or the design of Buyers' products. Buyers are responsible for their products and applications using TI components. To minimize the risks associated with Buyers' products and applications, Buyers should provide adequate design and operating safeguards.

TI does not warrant or represent that any license, either express or implied, is granted under any patent right, copyright, mask work right, or other intellectual property right relating to any combination, machine, or process in which TI components or services are used. Information published by TI regarding third-party products or services does not constitute a license to use such products or services or a warranty or endorsement thereof. Use of such information may require a license from a third party under the patents or other intellectual property of the third party, or a license from TI under the patents or other intellectual property of TI.

Reproduction of significant portions of TI information in TI data books or data sheets is permissible only if reproduction is without alteration and is accompanied by all associated warranties, conditions, limitations, and notices. TI is not responsible or liable for such altered documentation. Information of third parties may be subject to additional restrictions.

Resale of TI components or services with statements different from or beyond the parameters stated by TI for that component or service voids all express and any implied warranties for the associated TI component or service and is an unfair and deceptive business practice. TI is not responsible or liable for any such statements.

Buyer acknowledges and agrees that it is solely responsible for compliance with all legal, regulatory and safety-related requirements concerning its products, and any use of TI components in its applications, notwithstanding any applications-related information or support that may be provided by TI. Buyer represents and agrees that it has all the necessary expertise to create and implement safeguards which anticipate dangerous consequences of failures, monitor failures and their consequences, lessen the likelihood of failures that might cause harm and take appropriate remedial actions. Buyer will fully indemnify TI and its representatives against any damages arising out of the use of any TI components in safety-critical applications.

In some cases, TI components may be promoted specifically to facilitate safety-related applications. With such components, TI's goal is to help enable customers to design and create their own end-product solutions that meet applicable functional safety standards and requirements. Nonetheless, such components are subject to these terms.

No TI components are authorized for use in FDA Class III (or similar life-critical medical equipment) unless authorized officers of the parties have executed a special agreement specifically governing such use.

Only those TI components which TI has specifically designated as military grade or "enhanced plastic" are designed and intended for use in military/aerospace applications or environments. Buyer acknowledges and agrees that any military or aerospace use of TI components which have **not** been so designated is solely at the Buyer's risk, and that Buyer is solely responsible for compliance with all legal and regulatory requirements in connection with such use.

TI has specifically designated certain components as meeting ISO/TS16949 requirements, mainly for automotive use. In any case of use of non-designated products, TI will not be responsible for any failure to meet ISO/TS16949.

### Products

Audio	<a href="http://www.ti.com/audio">www.ti.com/audio</a>
Amplifiers	<a href="http://amplifier.ti.com">amplifier.ti.com</a>
Data Converters	<a href="http://dataconverter.ti.com">dataconverter.ti.com</a>
DLP® Products	<a href="http://www.dlp.com">www.dlp.com</a>
DSP	<a href="http://dsp.ti.com">dsp.ti.com</a>
Clocks and Timers	<a href="http://www.ti.com/clocks">www.ti.com/clocks</a>
Interface	<a href="http://interface.ti.com">interface.ti.com</a>
Logic	<a href="http://logic.ti.com">logic.ti.com</a>
Power Mgmt	<a href="http://power.ti.com">power.ti.com</a>
Microcontrollers	<a href="http://microcontroller.ti.com">microcontroller.ti.com</a>
RFID	<a href="http://www.ti-rfid.com">www.ti-rfid.com</a>
OMAP Applications Processors	<a href="http://www.ti.com/omap">www.ti.com/omap</a>
Wireless Connectivity	<a href="http://www.ti.com/wirelessconnectivity">www.ti.com/wirelessconnectivity</a>

### Applications

Automotive and Transportation	<a href="http://www.ti.com/automotive">www.ti.com/automotive</a>
Communications and Telecom	<a href="http://www.ti.com/communications">www.ti.com/communications</a>
Computers and Peripherals	<a href="http://www.ti.com/computers">www.ti.com/computers</a>
Consumer Electronics	<a href="http://www.ti.com/consumer-apps">www.ti.com/consumer-apps</a>
Energy and Lighting	<a href="http://www.ti.com/energy">www.ti.com/energy</a>
Industrial	<a href="http://www.ti.com/industrial">www.ti.com/industrial</a>
Medical	<a href="http://www.ti.com/medical">www.ti.com/medical</a>
Security	<a href="http://www.ti.com/security">www.ti.com/security</a>
Space, Avionics and Defense	<a href="http://www.ti.com/space-avionics-defense">www.ti.com/space-avionics-defense</a>
Video and Imaging	<a href="http://www.ti.com/video">www.ti.com/video</a>

### TI E2E Community

[e2e.ti.com](http://e2e.ti.com)