

54ACT818

54ACT818 8-Bit Diagnostic Register



Literature Number: SNOS071

54ACT818 8-Bit Diagnostic Register

General Description

The 'ACT818 is a high-speed, general-purpose pipeline register with an on-board diagnostic register for performing serial diagnostics and/or writable control store loading.

The D-to-Y path provides an 8-bit parallel data path pipeline register for normal system operation. The diagnostic register can load parallel data to or from the pipeline register and can output data through the D input port (as in WCS loading).

The 8-bit diagnostic register has multiplexer inputs that select parallel inputs from the Y-port or adjacent bits in the diagnostic register to operate as a right-shift-only register. This register can then participate in a serial loop throughout the system where normal data, address, status and control registers are replaced with 'ACT818 diagnostic pipeline registers. The loop can be used to scan in a complete test routine starting point (Data, Address, etc.). Then after a specified number of machine cycles it scans out the results to be inspected for the expected results. WCS loading can be accomplished using the same technique. An instruction word can be serially shifted into the shadow register and written into the WCS RAM by enabling the D output.

Features

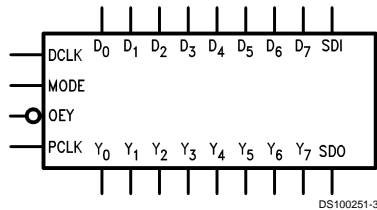
- On-line and off-line system diagnostics

- Swaps the contents of diagnostic register and output register
- Diagnostic register and diagnostic testing
- Cascadable for wide control words as used in microprogramming
- Edge-triggered D registers
- Outputs source/sink 24 mA
- 'ACT818 has TTL-compatible inputs
- 'ACT818 is functionally- and pin-compatible to AMD Am29818 and MMI 74S818
- Standard Microcircuit Drawing (SMD) 5962-9160901

Applications

- Register for microprogram control store
- Status register
- Data register
- Instruction register
- Interrupt mask register
- Pipeline register
- General purpose register
- Parallel-serial/serial-parallel converter

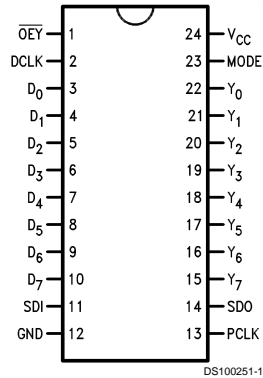
Logic Symbol



TRI-STATE® is a registered trademark of National Semiconductor Corporation.
FACT™ is a trademark of Fairchild Semiconductor Corporation.

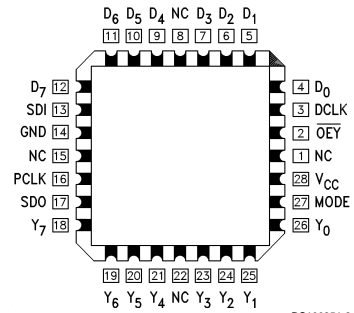
Connection Diagrams

Pin Assignment
for DIP and Flatpak



DS100251-1

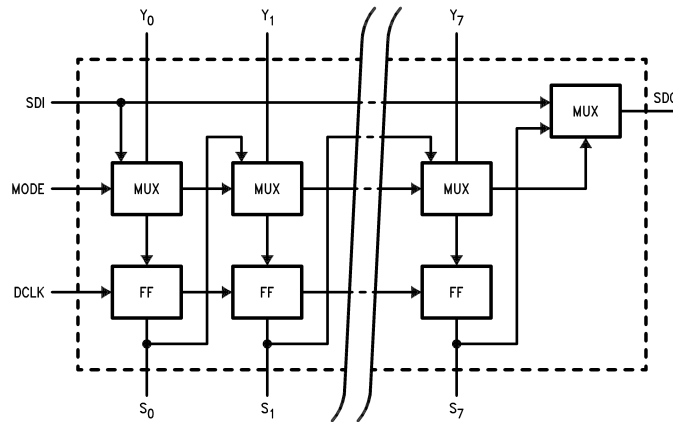
Pin Assignment
for LCC



DS100251-2

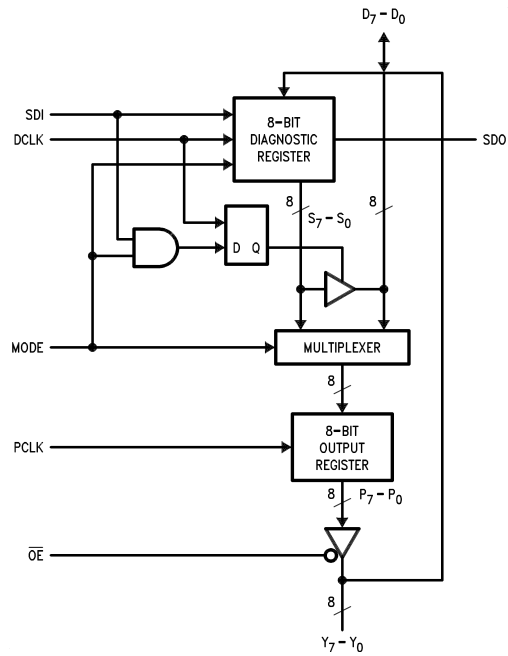
Pin Names	Description
D ₀ -D ₇	Data Inputs
SDI	Serial Data Input
DCLK	Diagnostics Clock
MODE	Control Input
PCLK	Pipeline Register Clock
$\overline{\text{OEY}}$	Output Enable Input
SDO	Serial Data Output
Y ₀ -Y ₇	Data Outputs

Diagnostic Register



DS100251-4

Block Diagram



Functional Description

Data transfers into the diagnostic register occur on the LOW-to-HIGH transition of DCLK. Mode and SDI determine what data source will be loaded. The pipeline register is loaded on the LOW-to-HIGH transition of PCLK. Mode selects whether the data source is the data input or the diag-

nostic register output. Because of the independence of the clock inputs, data can be shifted in the diagnostic register via DCLK and loaded into the pipeline register from the data input via PCLK simultaneously, as long as no setup or hold times are violated. This simultaneous operation is legal.

Function Table

Inputs				Outputs			Operation
SDI	MODE	DCLK	PCLK	SDO	Diagnostic Reg.	Pipeline Reg.	
X	L	N	X	S7	SI < SI - 1, SO < SD _i	NA	Serial Shift; D ₇ -D ₀ Disabled
X	L	X	N	S7	NA	PI < DI	Normal Load Pipeline Register
L	H	N	X	L	SI < Y _i	NA	Load Diagnostic Register from Y; DI Disabled
X	H	X	N	SDI	NA	PI < SI	Load Pipeline Register from Diagnostic Register
H	H	N	X	H	Hold	NA	Hold Diagnostic Register; DI Enabled

H = HIGH Voltage Level
 L = LOW Voltage Level
 X = Immaterial
 N = LOW-to-HIGH Clock Transition

Absolute Maximum Ratings (Note 1)

If Military/Aerospace specified devices are required, please contact the National Semiconductor Sales Office/Distributors for availability and specifications.

Supply Voltage (V_{CC})	-0.5V to +7.0V
DC Input Diode Current (I_{IK})	
$V_I = -0.5V$	-20 mA
$V_I = V_{CC} + 0.5V$	+20 mA
DC Input Voltage (V_I)	-0.5V to $V_{CC} + 0.5V$
DC Output Diode Current (I_{OK})	
$V_O = -0.5V$	-20 mA
$V_O = V_{CC} + 0.5V$	+20 mA
DC Output Voltage (V_O)	-0.5V to $V_{CC} + 0.5V$
DC Output Source	
or Sink Current (I_O)	±50 mA
DC V_{CC} or Ground Current	
per Output Pin (I_{CC} or I_{GND})	±50 mA
Storage Temperature (T_{STG})	-65°C to +150°C
Junction Temperature (T_J)	
CDIP	175°C

Recommended Operating Conditions

Supply Voltage (V_{CC})	
'ACT	4.5V to 5.5V
Input Voltage (V_I)	0V to V_{CC}
Output Voltage (V_O)	0V to V_{CC}
Operating Temperature (T_A)	
54ACT	-55°C to +125°C
Minimum Input Edge Rate ($\Delta V/\Delta t$)	
'ACT Devices	
V_{IN} from 0.8V to 2.0V	
V_{CC} @ 4.5V, 5.5V	125 mV/ns

Note 1: Absolute maximum ratings are those values beyond which damage to the device may occur. The databook specifications should be met, without exception, to ensure that the system design is reliable over its power supply, temperature, and output/input loading variables. National does not recommend operation of FACT™ circuits outside databook specifications.

Note 2: All outputs loaded; thresholds on input associated with output under test.

DC Characteristics for 'ACT Family Devices

Symbol	Parameter	V_{CC} (V)	54ACT	Units	Conditions
			$T_A =$ -55°C to +125°C		
			Guaranteed Limits		
V_{IH}	Minimum High Level Input Voltage	4.5	2.0	V	$V_{OUT} = 0.1V$ or $V_{CC} - 0.1V$
		5.5	2.0		
V_{IL}	Maximum Low Level Input Voltage	4.5	0.8		$V_{OUT} = 0.1V$ or $V_{CC} - 0.1V$
		5.5	0.8		
I_{IN}	Maximum Input Leakage Current	5.5	±1.0	µA	$V_{IN} = V_{CC}$
I_{OZ}	Maximum TRI-STATE Leakage Current	5.5	±1.0	µA	$\overline{OE} = V_{IH}$ $V_{OUT} = 0V, V_{CC}$
I_{CC}	Maximum Quiescent Supply Current	5.5	160	µA	$V_{IN} = V_{CC}$ or GND
I_{CCT}	Maximum Additional $I_{CC}/Input$	5.5	1.6	mA	$V_{IN} = V_{CC} - 2.1V$ $V_{CC} = 5.5V$
V_{OH}	Minimum HIGH				(Note 2) $V_{IN} = V_{IL}$ or V_{IH}
	Level Output Voltage, Y_0 - Y_7 Outputs	4.5	3.70	V	$I_{OH} = -24$ mA
		5.5	4.70	V	$I_{OH} = -24$ mA
	Minimum HIGH Level Output Voltage, D_0 - D_7 , SDO Outputs	4.5	3.70	V	$I_{OH} = -8$ mA
5.5		4.70	V	$I_{OH} = -8$ mA	
V_{OL}	Maximum LOW				(Note 2) $V_{IN} = V_{IL}$ or V_{IH}
	Level Output Voltage, Y_0 - Y_7 Outputs	4.5	0.50	V	$I_{OL} = 24$ mA
		5.5	0.50	V	$I_{OL} = 24$ mA
	Maximum LOW Level Output Voltage, D_0 - D_7 , SDO Outputs	4.5	0.50	V	$I_{OL} = 8$ mA
5.5		0.50	V	$I_{OL} = 8$ mA	

DC Characteristics for 'ACT Family Devices (Continued)

Symbol	Parameter	V _{CC} (V)	54ACT		Units	Conditions
			T _A = -55°C to +125°C			
			Guaranteed Limits			
I _{OLD}	Minimum Dynamic Output Current, Y ₀ -Y ₇ Outputs	5.5	50		mA	V _{OLD} = 1.65V Max
I _{OHD}	Minimum Dynamic Output Current, Y ₀ -Y ₇ Outputs	5.5	-50		mA	V _{OHD} = 3.85V Min
I _{OLD}	Minimum Dynamic Output Current, D ₀ -D ₇ , SDO Outputs (Note 4)	5.5	32		mA	V _{OLD} = 1.65V Max
I _{OHD}	Minimum Dynamic Output Current, D ₀ -D ₇ , SDO Outputs (Note 4)	5.5	-32		mA	V _{OHD} = 3.85V Min

Note 3: Maximum test duration 2.0 ms, one output loaded at a time.

Note 4: Test load 50 pF, 500Ω to ground.

Note 5: I_{CC} for 54ACT @ 25°C is identical to 74ACT @ 25°C.

AC Electrical Characteristics

Symbol	Parameter	V _{CC} (V) (Note 6)	54ACT		Units	Fig. No.
			T _A = -55°C to +125°C C _L = 50 pF			
			Min	Max		
t _{PHL}	Propagation Delay PCLK to Y	5.0	2.5	10.0	ns	
t _{PLH}	Propagation Delay PCLK to Y	5.0	2.5	10.0	ns	
t _{PHL}	Propagation Delay MODE to SDO	5.0	3.5	12.0	ns	
t _{PLH}	Propagation Delay MODE to SDO	5.0	3.5	13.5	ns	
t _{PHL}	Propagation Delay SDI to SDO	5.0	3.0	11.5	ns	
t _{PLH}	Propagation Delay SDI to SDO	5.0	3.0	12.0	ns	
t _{PHL}	Propagation Delay DCLK to SDO	5.0	3.5	14.0	ns	
t _{PLH}	Propagation Delay DCLK to SDO	5.0	3.5	15.5	ns	
t _{PZL}	Output Enable Time \overline{OEY} to Y _n	5.0	2.5	12.0	ns	
t _{PLZ}	Output Disable Time \overline{OEY} to Y _n	5.0	1.5	10.0	ns	
t _{PZL}	Output Enable Time DCLK to D _n	5.0	3.0	14.0	ns	

AC Electrical Characteristics (Continued)

Symbol	Parameter	V _{CC} (V) (Note 6)	54ACT		Units	Fig. No.
			T _A = -55°C to +125°C C _L = 50 pF			
			Min	Max		
t _{PLZ}	Output Disable Time DCLK to D _n	5.0	1.5	12.0	ns	
t _{PZH}	Output Enable Time OEY to Y _n	5.0	2.5	11.0	ns	
t _{PHZ}	Output Disable Time OEY to Y _n	5.0	2.0	12.0	ns	
t _{PZH}	Output Enable Time DCLK to D _n	5.0	3.0	13.5	ns	
t _{PHZ}	Output Disable Time DCLK to D _n	5.0	2.0	13.5	ns	

Note 6: Voltage Range 5.0 is 5.0V ±0.5V.

AC Operating Requirements

Symbol	Parameter	V _{CC} (V) (Note 8)	54ACT		Units	Fig. No.
			T _A = -55°C to +125°C C _L = 50 pF			
			Guaranteed Minimum			
t _s	Setup Time D to PCLK	5.0	6.0		ns	
t _h	Hold Time D to PCLK	5.0	1.0		ns	
t _s	Setup Time MODE to PCLK	5.0	6.0		ns	
t _h	Hold Time MODE to PCLK	5.0	0.0		ns	
t _s	Setup Time Y to DCLK	5.0	2.5		ns	
t _h	Hold Time Y to DCLK	5.0	1.5		ns	
t _s	Setup Time MODE to DCLK	5.0	4.5		ns	
t _h	Hold Time MODE to DCLK	5.0	1.0		ns	
t _s	Setup Time SDI to DCLK	5.0	4.5		ns	
t _h	Hold Time SDI to DCLK	5.0	1.0		ns	
t _s	Setup Time DCLK to PCLK	5.0	11.5		ns	
t _s	Setup Time PCLK to DCLK	5.0	12.5		ns	
t _w	Pulse Width	5.0	3.5		ns	

AC Operating Requirements (Continued)

Symbol	Parameter	V _{CC} (V) (Note 8)	54ACT	Units	Fig. No.
			T _A = -55°C to +125°C		
			C _L = 50 pF		
			Guaranteed Minimum		
	PCLK HIGH or LOW				
t _w	Pulse Width DCLK HIGH or LOW	5.0	3.0	ns	

Note 7: Test load 50 pF, 500Ω to ground.

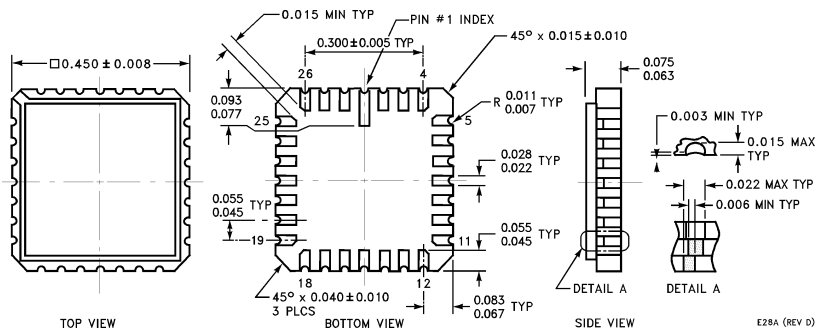
Note 8: Voltage range 5.0 is 5.0V ± 0.5V.

Capacitance

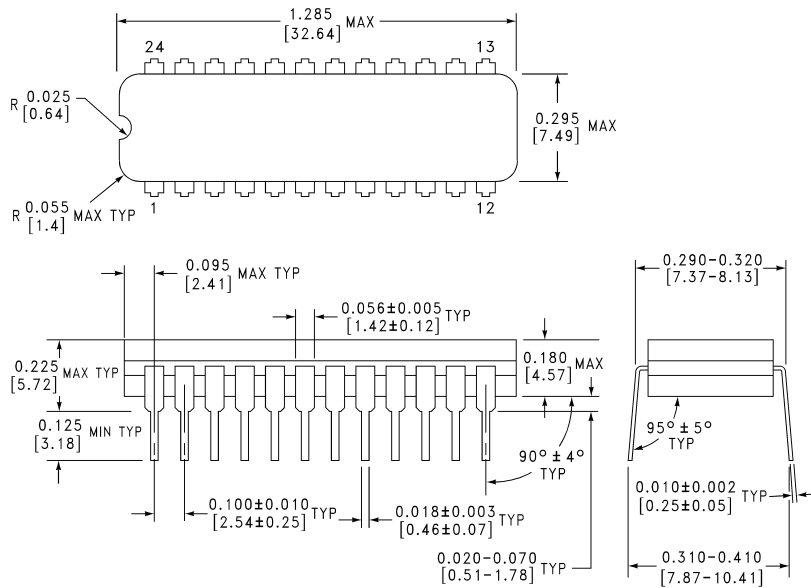
Symbol	Parameter	Typ	Units	Conditions
C _{IN}	Input Capacitance	4.5	pF	V _{CC} = OPEN
C _{PD}	Power Dissipation Capacitance	20	pF	V _{CC} = 5.0V



Physical Dimensions inches (millimeters) unless otherwise noted

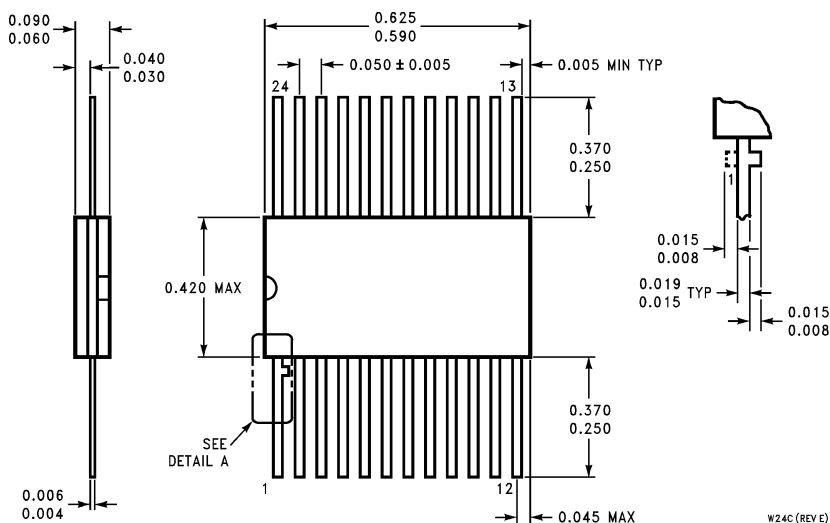


28 Terminal Ceramic Leadless Chip Carrier (L)
NS Package Number E28A



24 Lead Slim (0.300" wide) Ceramic Dual-in-Line Package (D)
NS Package Number J24F

Physical Dimensions inches (millimeters) unless otherwise noted (Continued)



**24 Lead Ceramic Cerpack
NS Package Number W24C**

W24C (REV E)

LIFE SUPPORT POLICY

NATIONAL'S PRODUCTS ARE NOT AUTHORIZED FOR USE AS CRITICAL COMPONENTS IN LIFE SUPPORT DEVICES OR SYSTEMS WITHOUT THE EXPRESS WRITTEN APPROVAL OF THE PRESIDENT OF NATIONAL SEMICONDUCTOR CORPORATION. As used herein:

1. Life support devices or systems are devices or systems which, (a) are intended for surgical implant into the body, or (b) support or sustain life, and whose failure to perform when properly used in accordance with instructions for use provided in the labeling, can be reasonably expected to result in a significant injury to the user.
2. A critical component in any component of a life support device or system whose failure to perform can be reasonably expected to cause the failure of the life support device or system, or to affect its safety or effectiveness.



National Semiconductor Corporation
Americas
Tel: 1-800-272-9959
Fax: 1-800-737-7018
Email: support@nsc.com

National Semiconductor Europe
Fax: +49 (0) 1 80-530 85 86
Email: europe.support@nsc.com
Deutsch Tel: +49 (0) 1 80-530 85 85
English Tel: +49 (0) 1 80-532 78 32
Français Tel: +49 (0) 1 80-532 93 58
Italiano Tel: +49 (0) 1 80-534 16 80

National Semiconductor Asia Pacific Customer Response Group
Tel: 65-2544466
Fax: 65-2504466
Email: sea.support@nsc.com

National Semiconductor Japan Ltd.
Tel: 81-3-5620-6175
Fax: 81-3-5620-6179

www.national.com

IMPORTANT NOTICE

Texas Instruments Incorporated and its subsidiaries (TI) reserve the right to make corrections, modifications, enhancements, improvements, and other changes to its products and services at any time and to discontinue any product or service without notice. Customers should obtain the latest relevant information before placing orders and should verify that such information is current and complete. All products are sold subject to TI's terms and conditions of sale supplied at the time of order acknowledgment.

TI warrants performance of its hardware products to the specifications applicable at the time of sale in accordance with TI's standard warranty. Testing and other quality control techniques are used to the extent TI deems necessary to support this warranty. Except where mandated by government requirements, testing of all parameters of each product is not necessarily performed.

TI assumes no liability for applications assistance or customer product design. Customers are responsible for their products and applications using TI components. To minimize the risks associated with customer products and applications, customers should provide adequate design and operating safeguards.

TI does not warrant or represent that any license, either express or implied, is granted under any TI patent right, copyright, mask work right, or other TI intellectual property right relating to any combination, machine, or process in which TI products or services are used. Information published by TI regarding third-party products or services does not constitute a license from TI to use such products or services or a warranty or endorsement thereof. Use of such information may require a license from a third party under the patents or other intellectual property of the third party, or a license from TI under the patents or other intellectual property of TI.

Reproduction of TI information in TI data books or data sheets is permissible only if reproduction is without alteration and is accompanied by all associated warranties, conditions, limitations, and notices. Reproduction of this information with alteration is an unfair and deceptive business practice. TI is not responsible or liable for such altered documentation. Information of third parties may be subject to additional restrictions.

Resale of TI products or services with statements different from or beyond the parameters stated by TI for that product or service voids all express and any implied warranties for the associated TI product or service and is an unfair and deceptive business practice. TI is not responsible or liable for any such statements.

TI products are not authorized for use in safety-critical applications (such as life support) where a failure of the TI product would reasonably be expected to cause severe personal injury or death, unless officers of the parties have executed an agreement specifically governing such use. Buyers represent that they have all necessary expertise in the safety and regulatory ramifications of their applications, and acknowledge and agree that they are solely responsible for all legal, regulatory and safety-related requirements concerning their products and any use of TI products in such safety-critical applications, notwithstanding any applications-related information or support that may be provided by TI. Further, Buyers must fully indemnify TI and its representatives against any damages arising out of the use of TI products in such safety-critical applications.

TI products are neither designed nor intended for use in military/aerospace applications or environments unless the TI products are specifically designated by TI as military-grade or "enhanced plastic." Only products designated by TI as military-grade meet military specifications. Buyers acknowledge and agree that any such use of TI products which TI has not designated as military-grade is solely at the Buyer's risk, and that they are solely responsible for compliance with all legal and regulatory requirements in connection with such use.

TI products are neither designed nor intended for use in automotive applications or environments unless the specific TI products are designated by TI as compliant with ISO/TS 16949 requirements. Buyers acknowledge and agree that, if they use any non-designated products in automotive applications, TI will not be responsible for any failure to meet such requirements.

Following are URLs where you can obtain information on other Texas Instruments products and application solutions:

Products

Audio	www.ti.com/audio
Amplifiers	amplifier.ti.com
Data Converters	dataconverter.ti.com
DLP® Products	www.dlp.com
DSP	dsp.ti.com
Clocks and Timers	www.ti.com/clocks
Interface	interface.ti.com
Logic	logic.ti.com
Power Mgmt	power.ti.com
Microcontrollers	microcontroller.ti.com
RFID	www.ti-rfid.com
OMAP Mobile Processors	www.ti.com/omap
Wireless Connectivity	www.ti.com/wirelessconnectivity

Applications

Communications and Telecom	www.ti.com/communications
Computers and Peripherals	www.ti.com/computers
Consumer Electronics	www.ti.com/consumer-apps
Energy and Lighting	www.ti.com/energy
Industrial	www.ti.com/industrial
Medical	www.ti.com/medical
Security	www.ti.com/security
Space, Avionics and Defense	www.ti.com/space-avionics-defense
Transportation and Automotive	www.ti.com/automotive
Video and Imaging	www.ti.com/video

TI E2E Community Home Page

e2e.ti.com

Mailing Address: Texas Instruments, Post Office Box 655303, Dallas, Texas 75265
Copyright © 2011, Texas Instruments Incorporated