

MM54C901,MM54C902,MM54C903,MM54C904, MM74C901,MM74C902,MM74C903,MM74C904

*MM54C901 MM74C901 Hex Inverting TTL Buffer MM54C902 MM74C902 Hex
Non-Inverting TTL Buffer MM54C903 MM74C903 Hex Inverting CMOS Buffer
MM54C904 MM74C904 Hex Non-Inverting CMOS Buffer*



Literature Number: SNOS341A

MM54C901/MM74C901 Hex Inverting TTL Buffer
MM54C902/MM74C902 Hex Non-Inverting TTL Buffer
MM54C903/MM74C903 Hex Inverting CMOS Buffer
MM54C904/MM74C904 Hex Non-Inverting CMOS Buffer

General Description

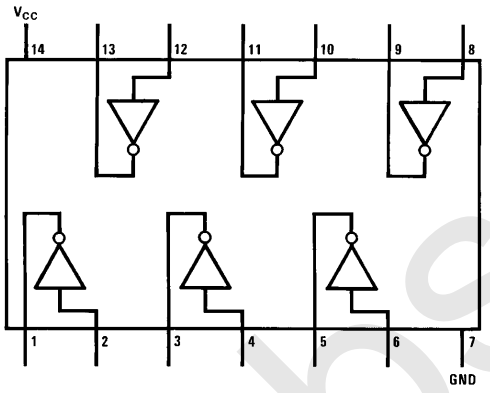
These hex buffers employ complementary MOS to achieve wide supply operating range, low power consumption, and high noise immunity. These buffers provide direct interface from PMOS into CMOS or TTL and direct interface from CMOS to TTL or CMOS operating at a reduced V_{CC} supply.

Features

- Wide supply voltage range 3.0V to 15V
- Guaranteed noise margin 1.0V
- High noise immunity $0.45 V_{CC}$ (typ.)
- TTL compatibility Fan out of 2 driving standard TTL

Connection Diagrams

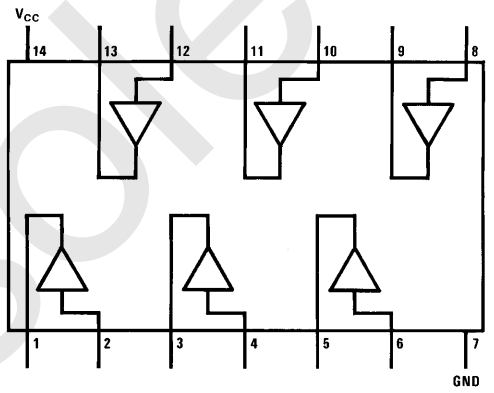
Dual-In-Line Package
 MM54C901/MM74C901
 MM54C903/MM74C903



Top View

Order Number MM54C901,
 MM74C901, MM54C903 or MM74C903

Dual-In-Line Package
 MM54C902/MM74C902
 MM54C904/MM74C904



Top View

Order Number MM54C902,
 MM74C902, MM54C904 or MM74C904

MM54C901/MM74C901 (TTL), MM54C903/MM74C903 (CMOS) Hex Inverting Buffer
MM54C902/MM74C902 (TTL), MM54C904/MM74C904 (CMOS) Hex Non-Inverting Buffer

Absolute Maximum Ratings (Note 1)

If Military/Aerospace specified devices are required, please contact the National Semiconductor Sales Office/Distributors for availability and specifications.

Voltage at Any Pin	-0.3V to $V_{CC} + 0.3V$
Voltage at Any Input Pin	
MM54C901/MM74C901	-0.3V to +15V
MM54C902/MM74C902	-0.3V to +15V
MM54C903/MM74C903	$V_{CC} - 17V$ to $V_{CC} + 0.3V$
MM54C904/MM74C904	$V_{CC} - 17V$ to $V_{CC} + 0.3V$
Storage Temperature Range (T_S)	-65°C to +150°C
Power Dissipation (P_D)	
Dual-In-Line	700 mW
Small Outline	500 mW

Operating Temperature Range (T_A)	
MM54C901, MM54C902, MM54C903, MM54C904	-55°C to +125°C
MM74C901, MM74C902, MM74C903, MM74C904	-40°C to +85°C
Operating V_{CC} Range	3.0V to 15V
Absolute Maximum V_{CC}	18V
Lead Temperature (T_L) (Soldering, 10 seconds)	260°C

DC Electrical Characteristics Min/Max limits apply across temperature range unless otherwise noted

Symbol	Parameter	Conditions	Min	Typ	Max	Units
CMOS TO CMOS						
$V_{IN(1)}$	Logical "1" Input Voltage	$V_{CC} = 5.0V$ $V_{CC} = 10V$	3.5 8.0			V V
$V_{IN(0)}$	Logical "0" Input Voltage	$V_{CC} = 5.0V$ $V_{CC} = 10V$			1.5 2.0	V V
$V_{OUT(1)}$	Logical "1" Output Voltage	$V_{CC} = 5.0V, I_O = -10 \mu A$ $V_{CC} = 10V, I_O = -10 \mu A$	4.5 9.0			V V
$V_{OUT(0)}$	Logical "0" Output Voltage	$V_{CC} = 5.0V$ $V_{CC} = 10V$			0.5 1.0	V V
$I_{IN(1)}$	Logical "1" Input Current	$V_{CC} = 15V, V_{IN} = 15V$		0.005	1.0	μA
$I_{IN(0)}$	Logical "0" Input Current	$V_{CC} = 15V, V_{IN} = 0V$	-1.0	-0.005		μA
I_{CC}	Supply Current	$V_{CC} = 15V$		0.05	15	μA
TTL TO CMOS						
$V_{IN(1)}$	Logical "1" Input Voltage	54C $V_{CC} = 4.5V$ 74C $V_{CC} = 4.75V$	$V_{CC} - 1.5$ $V_{CC} - 1.5$			V V
$V_{IN(0)}$	Logical "0" Input Voltage	54C $V_{CC} = 4.5V$ 74C $V_{CC} = 4.75V$			0.8 0.8	V V
CMOS TO TTL						
$V_{IN(1)}$	Logical "1" Input Voltage MM54C901, MM54C903 MM54C902, MM54C904 MM74C901, MM74C903 MM74C902, MM74C904	$V_{CC} = 4.5V$ $V_{CC} = 4.5V$ $V_{CC} = 4.75V$ $V_{CC} = 4.75V$	4.0 $V_{CC} - 1.5$ 4.25 $V_{CC} - 1.5$			V V V V
$V_{IN(0)}$	Logical "0" Input Voltage MM54C901, MM54C903 MM54C902, MM54C904 MM74C901, MM74C903 MM74C902, MM74C904	$V_{CC} = 4.5V$ $V_{CC} = 4.5V$ $V_{CC} = 4.75V$ $V_{CC} = 4.75V$			1.0 1.5 1.0 1.5	V V V V
$V_{OUT(1)}$	Logical "1" Output Voltage	54C $V_{CC} = 4.5V, I_O = -800 \mu A$ 74C $V_{CC} = 4.75V, I_O = -800 \mu A$	2.4 2.4			V V
$V_{OUT(0)}$	Logical "0" Output Voltage MM54C901, MM54C903 MM54C902, MM54C904 MM74C901, MM74C903 MM74C902, MM74C904	$V_{CC} = 4.5V, I_O = 2.6 mA$ $V_{CC} = 4.5V, I_O = 3.2 mA$ $V_{CC} = 4.75V, I_O = 2.6 mA$ $V_{CC} = 4.75V, I_O = 3.2 mA$			0.4 0.4 0.4 0.4	V V V V

DC Electrical Characteristics (Continued)

Min/Max limits apply across temperature range unless otherwise noted

Symbol	Parameter	Conditions	Min	Typ	Max	Units
OUTPUT DRIVE (See 54C/74C Family Characteristics Data Sheet) (Short Circuit Current) (MM54C901/MM74C901, MM54C903/MM74C903)						
I _{SOURCE}	Output Source Current (P-Channel)	V _{CC} = 5.0V, V _{OUT} = 0V T _A = 25°C, V _{IN} = 0V	-5.0			mA
I _{SOURCE}	Output Source Current (P-Channel)	V _{CC} = 10V, V _{OUT} = 0V T _A = 25°C, V _{IN} = 0V	-20			mA
I _{SINK}	Output Sink Current (N-Channel)	V _{CC} = 5.0V, V _{OUT} = V _{CC} T _A = 25°C, V _{IN} = V _{CC}	9.0			mA
I _{SINK}	Output Sink Current (N-Channel)	V _{CC} = 5.0V, V _{OUT} = 0.4V T _A = 25°C, V _{IN} = V _{CC}	3.8			mA
(MM54C902/MM74C902, MM54C904/MM74C904)						
I _{SOURCE}	Output Source Current (P-Channel)	V _{CC} = 5.0V, V _{OUT} = 0V T _A = 25°C, V _{IN} = V _{CC}	-5.0			mA
I _{SOURCE}	Output Source Current (P-Channel)	V _{CC} = 10V, V _{OUT} = 0V T _A = 25°C, V _{IN} = V _{CC}	-20			mA
I _{SINK}	Output Sink Current (N-Channel)	V _{CC} = 5.0V, V _{OUT} = V _{CC} T _A = 25°C, V _{IN} = 0V	9.0			mA
I _{SINK}	Output Sink Current (N-Channel)	V _{CC} = 5.0V, V _{OUT} = 0.4V T _A = 25°C, V _{IN} = 0V	3.8			mA

AC Electrical Characteristics* T_A = 25°C, C_L = 50 pF, unless otherwise noted

Symbol	Parameter	Conditions	Min	Typ	Max	Units
MM54C901/MM74C901, MM54C903/MM74C903						
t _{pd1}	Propagation Delay Time to a Logical "1"	V _{CC} = 5.0V		38	70	ns
		V _{CC} = 10V		22	30	ns
t _{pd0}	Propagation Delay Time to a Logical "0"	V _{CC} = 5.0V		21	35	ns
		V _{CC} = 10V		13	20	ns
C _{IN}	Input Capacitance	Any Input (Note 2)		14		pF
C _{PD}	Power Dissipation Capacity	(Note 3) Per Buffer		30		pF
MM54C902/MM74C902, MM54C904/MM74C904						
t _{pd1}	Propagation Delay Time to a Logical "1"	V _{CC} = 5.0V		57	90	ns
		V _{CC} = 10V		27	40	ns
t _{pd0}	Propagation Delay Time to a Logical "0"	V _{CC} = 5.0V		54	90	ns
		V _{CC} = 10V		25	40	ns
C _{IN}	Input Capacitance	Any Input (Note 2)		5.0		pF
C _{PD}	Power Dissipation Capacity	(Note 3) Per Buffer		50		pF

*AC Parameters are guaranteed by DC correlated testing.

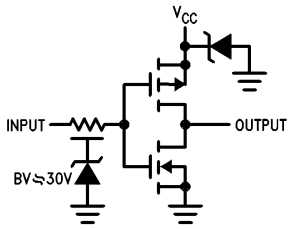
Note 1: "Absolute Maximum Ratings" are those values beyond which the safety of the device cannot be guaranteed. Except for "Operating Temperature Range" they are not meant to imply that the devices should be operated at these limits. The table of "Electrical Characteristics" provides conditions for actual device operation.

Note 2: Capacitance is guaranteed by periodic testing.

Note 3: C_{PD} determines the no load AC power consumption of any CMOS device. For complete explanation see 54C/74C Family Characteristics application note AN-90.

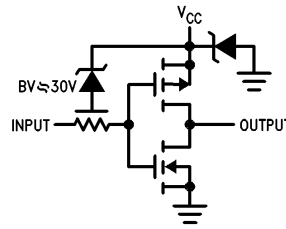
Logic Diagrams

MM54C901/MM74C901
CMOS to TTL Inverting Buffer



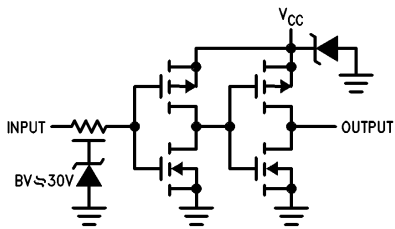
TL/F/5909-3

MM54C903/MM74C903
PMOS to TTL or CMOS Inverting Buffer



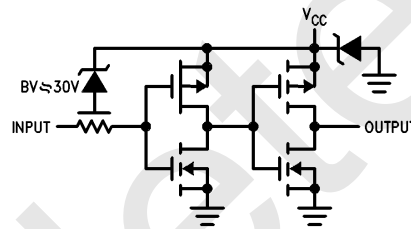
TL/F/5909-4

MM54C902/MM74C902
CMOS to TTL Buffer



TL/F/5909-5

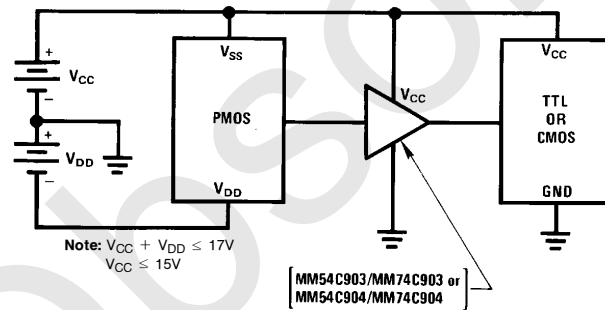
MM54C904/MM74C904
PMOS to TTL or CMOS Buffer



TL/F/5909-6

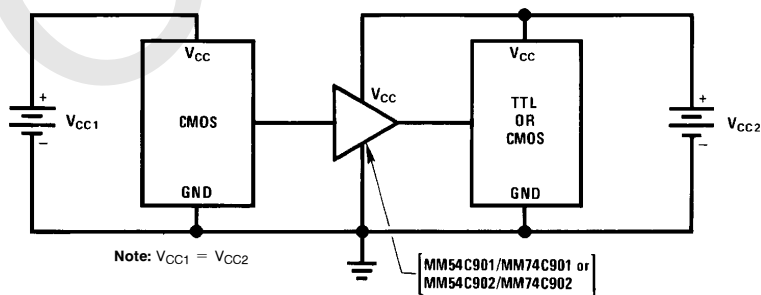
Typical Applications

PMOS to CMOS or TTL Interface



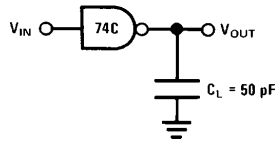
TL/F/5909-7

CMOS to TTL or CMOS at a Lower VCC



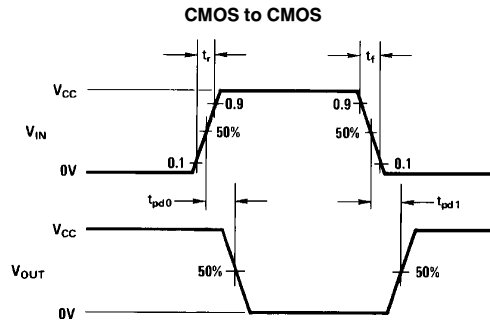
TL/F/5909-8

AC Test Circuit and Switching Time Waveforms



Note: Delays measured with input t_r , $t_f = 20$ ns.

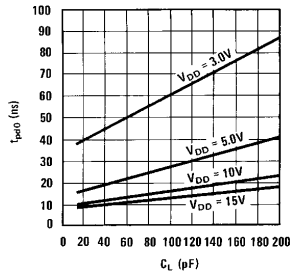
TL/F/5909-9



TL/F/5909-10

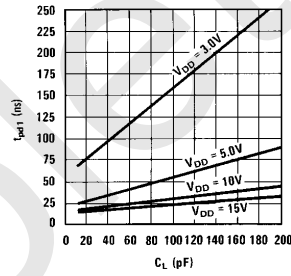
Typical Performance Characteristics

Typical Propagation Delay to a Logical "0" for the MM54C901/MM74C901 and MM54C903/MM74C903



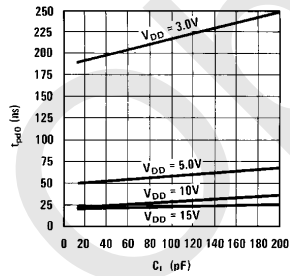
TL/F/5909-11

Typical Propagation Delay to a Logical "1" for the MM54C901/MM74C901 and MM54C903/MM74C903



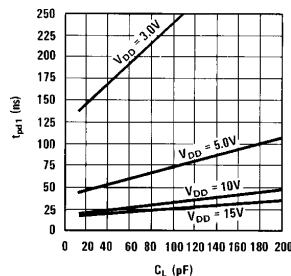
TL/F/5909-13

Typical Propagation Delay to a Logical "0" for the MM54C902/MM74C902 and MM54C904/MM74C904



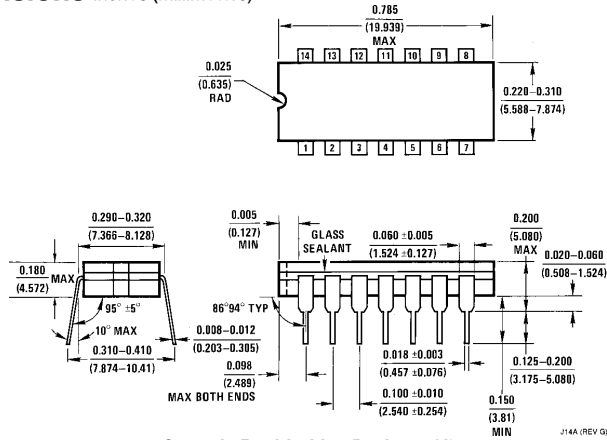
TL/F/5909-14

Typical Propagation Delay to a Logical "1" for the MM54C902/MM74C902 and MM54C904/MM74C904

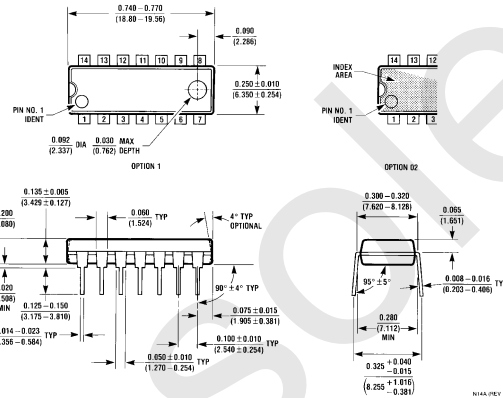


TL/F/5909-12

Physical Dimensions inches (millimeters)



Ceramic Dual-In-Line Package (J)
 Order Number MM54C901J, MM74C901J, MM54C902J,
 MM74C902J, MM54C903J, MM74C903J, MM54C904J or MM74C904J
 NS Package Number J14A



Molded Dual-In-Line Package (N)
 Order Number MM54C901N, MM74C901N, MM54C902N,
 MM74C902N, MM54C903N, MM74C903N, MM54C904N or MM74C904N
 NS Package Number N14A

LIFE SUPPORT POLICY

NATIONAL'S PRODUCTS ARE NOT AUTHORIZED FOR USE AS CRITICAL COMPONENTS IN LIFE SUPPORT DEVICES OR SYSTEMS WITHOUT THE EXPRESS WRITTEN APPROVAL OF THE PRESIDENT OF NATIONAL SEMICONDUCTOR CORPORATION. As used herein:

1. Life support devices or systems are devices or systems which, (a) are intended for surgical implant into the body, or (b) support or sustain life, and whose failure to perform, when properly used in accordance with instructions for use provided in the labeling, can be reasonably expected to result in a significant injury to the user.
2. A critical component is any component of a life support device or system whose failure to perform can be reasonably expected to cause the failure of the life support device or system, or to affect its safety or effectiveness.

 <p>National Semiconductor Corporation 1111 West Bardin Road Arlington, TX 76017 Tel: (800) 272-9959 Fax: (800) 737-7018</p>	<p>National Semiconductor Europe</p> <p>Fax: (+49) 0-180-530 85 86 Email: cnjwge@tevm2.nsc.com Deutsch Tel: (+49) 0-180-530 85 85 English Tel: (+49) 0-180-532 78 32 Français Tel: (+49) 0-180-532 93 58 Italiano Tel: (+49) 0-180-534 16 80</p>	<p>National Semiconductor Hong Kong Ltd. 19th Floor, Straight Block, Ocean Centre, 5 Canton Rd. Tsimshatsui, Kowloon Hong Kong Tel: (852) 2737-1600 Fax: (852) 2736-9960</p>	<p>National Semiconductor Japan Ltd. Tel: 81-043-299-2309 Fax: 81-043-299-2408</p>
--	--	---	---

National does not assume any responsibility for use of any circuitry described, no circuit patent licenses are implied and National reserves the right at any time without notice to change said circuitry and specifications.

IMPORTANT NOTICE

Texas Instruments Incorporated and its subsidiaries (TI) reserve the right to make corrections, modifications, enhancements, improvements, and other changes to its products and services at any time and to discontinue any product or service without notice. Customers should obtain the latest relevant information before placing orders and should verify that such information is current and complete. All products are sold subject to TI's terms and conditions of sale supplied at the time of order acknowledgment.

TI warrants performance of its hardware products to the specifications applicable at the time of sale in accordance with TI's standard warranty. Testing and other quality control techniques are used to the extent TI deems necessary to support this warranty. Except where mandated by government requirements, testing of all parameters of each product is not necessarily performed.

TI assumes no liability for applications assistance or customer product design. Customers are responsible for their products and applications using TI components. To minimize the risks associated with customer products and applications, customers should provide adequate design and operating safeguards.

TI does not warrant or represent that any license, either express or implied, is granted under any TI patent right, copyright, mask work right, or other TI intellectual property right relating to any combination, machine, or process in which TI products or services are used. Information published by TI regarding third-party products or services does not constitute a license from TI to use such products or services or a warranty or endorsement thereof. Use of such information may require a license from a third party under the patents or other intellectual property of the third party, or a license from TI under the patents or other intellectual property of TI.

Reproduction of TI information in TI data books or data sheets is permissible only if reproduction is without alteration and is accompanied by all associated warranties, conditions, limitations, and notices. Reproduction of this information with alteration is an unfair and deceptive business practice. TI is not responsible or liable for such altered documentation. Information of third parties may be subject to additional restrictions.

Resale of TI products or services with statements different from or beyond the parameters stated by TI for that product or service voids all express and any implied warranties for the associated TI product or service and is an unfair and deceptive business practice. TI is not responsible or liable for any such statements.

TI products are not authorized for use in safety-critical applications (such as life support) where a failure of the TI product would reasonably be expected to cause severe personal injury or death, unless officers of the parties have executed an agreement specifically governing such use. Buyers represent that they have all necessary expertise in the safety and regulatory ramifications of their applications, and acknowledge and agree that they are solely responsible for all legal, regulatory and safety-related requirements concerning their products and any use of TI products in such safety-critical applications, notwithstanding any applications-related information or support that may be provided by TI. Further, Buyers must fully indemnify TI and its representatives against any damages arising out of the use of TI products in such safety-critical applications.

TI products are neither designed nor intended for use in military/aerospace applications or environments unless the TI products are specifically designated by TI as military-grade or "enhanced plastic." Only products designated by TI as military-grade meet military specifications. Buyers acknowledge and agree that any such use of TI products which TI has not designated as military-grade is solely at the Buyer's risk, and that they are solely responsible for compliance with all legal and regulatory requirements in connection with such use.

TI products are neither designed nor intended for use in automotive applications or environments unless the specific TI products are designated by TI as compliant with ISO/TS 16949 requirements. Buyers acknowledge and agree that, if they use any non-designated products in automotive applications, TI will not be responsible for any failure to meet such requirements.

Following are URLs where you can obtain information on other Texas Instruments products and application solutions:

Products

Audio	www.ti.com/audio
Amplifiers	amplifier.ti.com
Data Converters	dataconverter.ti.com
DLP® Products	www.dlp.com
DSP	dsp.ti.com
Clocks and Timers	www.ti.com/clocks
Interface	interface.ti.com
Logic	logic.ti.com
Power Mgmt	power.ti.com
Microcontrollers	microcontroller.ti.com
RFID	www.ti-rfid.com
OMAP Mobile Processors	www.ti.com/omap
Wireless Connectivity	www.ti.com/wirelessconnectivity

Applications

Communications and Telecom	www.ti.com/communications
Computers and Peripherals	www.ti.com/computers
Consumer Electronics	www.ti.com/consumer-apps
Energy and Lighting	www.ti.com/energy
Industrial	www.ti.com/industrial
Medical	www.ti.com/medical
Security	www.ti.com/security
Space, Avionics and Defense	www.ti.com/space-avionics-defense
Transportation and Automotive	www.ti.com/automotive
Video and Imaging	www.ti.com/video

TI E2E Community Home Page

e2e.ti.com

Mailing Address: Texas Instruments, Post Office Box 655303, Dallas, Texas 75265
Copyright © 2011, Texas Instruments Incorporated