

11C06

11C06 750 MHz D-Type Flip-Flop



Literature Number: SNOS372A

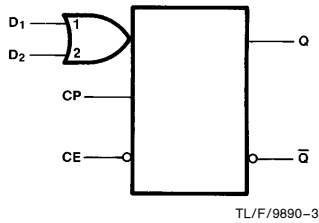
11C06 750 MHz D-Type Flip-Flop

General Description

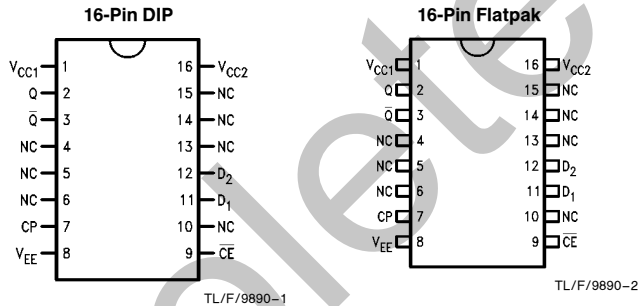
The 11C06 is a high-speed ECL D-Type Master-Slave Flip-Flop capable of toggle rates over 750 MHz. Designed primarily for high-speed prescaling, it can also be used in any application which does not require preset inputs. The circuit is voltage-compensated, which makes input thresholds and

output levels insensitive to V_{EE} variations. Complementary Q and \bar{Q} outputs are provided, as are two Data inputs, Clock and Clock Enable inputs. The 11C06 is pin-compatible with the Motorola MC1690L but is a higher-frequency replacement.

Logic Symbol



Connection Diagrams



Truth Table

Pin Names	Description
D_n	Data Input
CP	Clock Input
\overline{CE}	Clock Enable (Active LOW)
Q, \bar{Q}	Outputs

\overline{CE}	CP	D	Q_n
L	L	X	Q_{n-1}
L	H	X	Q_{n-1}
L	—	L	L
L	—	H	H
H	X	X	Q_{n-1}

H = HIGH Voltage Level
L = LOW Voltage Level
X = Don't Care
— = LOW to HIGH Transition
 Q_{n-1} = Previous State

Absolute Maximum Ratings

Above which the useful life may be impaired

If Military/Aerospace specified devices are required, please contact the National Semiconductor Sales Office/Distributors for availability and specifications.

Storage Temperature	-65°C to +150°C
Maximum Junction Temperature (T _J)	+150°C
Supply Voltage Range	-7.0V to GND
Input Voltage (DC)	V _{EE} to GND
Output Current (DC Output HIGH)	-50 mA

Operating Range	-5.7V to -4.7V
Lead Temperature (Soldering, 10 sec.)	300°C

Recommended Operating Conditions

	Min	Typ	Max
Supply Voltage (V _{EE})	-5.7V	-5.2V	-4.7V
Ambient Temperature (T _A)	0°C		+75°C

DC Electrical Characteristics

V_{EE} = -5.2V, V_{CC} = GND

Symbol	Parameter	Min	Typ	Max	Units	T _A	Conditions	
V _{OH}	Output Voltage HIGH	-1000		-840	mV	0°C	V _{IN} = V _{IH} (Max) or V _{IL} (Min) per Truth Table Loading 50Ω to -2V	
		-960		-810	mV	+25°C		
		-900		-720	mV	+75°C		
V _{OL}	Output Voltage LOW	-1870		-1635	mV	0°C		
		-1850		-1620	mV	+25°C		
		-1830		-1595	mV	+75°C		
V _{OHC}	Output Voltage HIGH	-1020			mV	0°C	V _{IN} = V _{IH} (Min) or V _{IL} (Max) for D _n Inputs Loading 50Ω to -2V	
		-980			mV	+25°C		
		-920			mV	+75°C		
V _{OLC}	Output Voltage LOW			-1615	mV	0°C		
				-1600	mV	+25°C		
				-1575	mV	+75°C		
V _{IH}	Input Voltage HIGH	-1135		-840	mV	0°C	Guaranteed Input Voltage HIGH for All Inputs	
		-1095		-810	mV	+25°C		
		-1035		-720	mV	+75°C		
V _{IL}	Input Voltage LOW	-1870		-1500	mV	0°C		Guaranteed Input Voltage LOW for All Inputs
		-1850		-1485	mV	+25°C		
		-1830		-1460	mV	+75°C		
I _{IH}	Input Current HIGH Clock Input Data Input			250	μA	+25°C	V _{IN} = V _{IH} (Max)	
				270	μA	+25°C		
I _{IL}	Input Current LOW	0.5			μA	+25°C	V _{IN} = V _{IH} (Min)	
I _{EE}	Power Supply Current	-59	-40		mA	+25°C	All Inputs Open	

AC Electrical Characteristics

V_{EE} = -5.2V, V_{CC} = GND, T_A = +25°C

Symbol	Parameter	Min	Typ	Max	Units	Conditions
t _{PHL}	Propagation Delay (CP-Q)	0.7	1.0	1.2	ns	See Figure 1
t _{PLH}	Propagation Delay (CP-Q)	0.7	1.0	1.2	ns	
t _{TLH}	Transition Time 20% to 80%	0.5	0.8	1.0	ns	
		0.5	0.8	1.0	ns	
t _S	Set-up Time		0.2		ns	
t _H	Hold Time		0.2		ns	
f _{TOG} (MAX)	Toggle Frequency (CP)	650	750		MHz	See Figure 2, Note

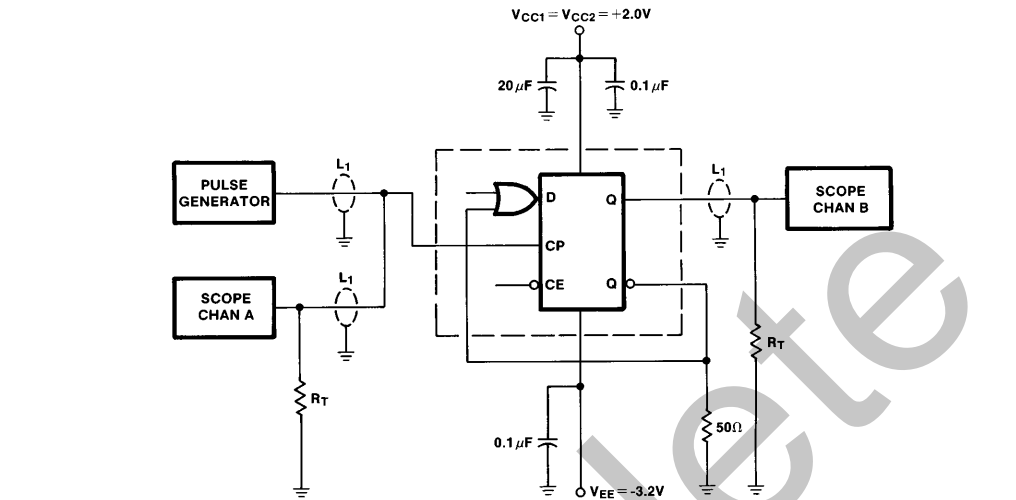
Note: The device is guaranteed for f_{TOG}(CP) ≥ 600 MHz, f_{TOG}(CE) ≥ 550 MHz over the 0°C to +75°C temperature range.

Functional Description

While the clock is LOW, the slave is held steady and the information on the D input is permitted to enter the master. The next transition from LOW to HIGH locks the master in its present state making it insensitive to the D input. This transition simultaneously connects the slave to the master causing the new information to appear on the outputs. Master and slave clock thresholds are internally offset in opposite directions to avoid race conditions or simultaneous

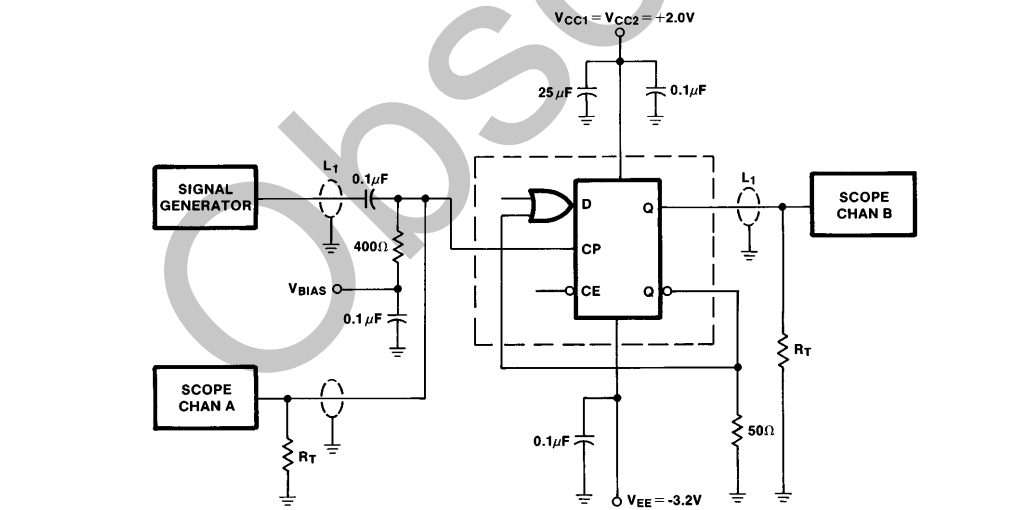
master-slave changes when the clock has slow rise or fall times.

The CP and \overline{CE} inputs are logically identical, but physical constraints associated with the Dual-In-Line package make the \overline{CE} input slower at the upper end of the toggle range. To prevent new data from entering the master on the next CP LOW cycle, \overline{CE} should go HIGH while CP is still HIGH.



$R_T = 50\Omega$ termination of scope
 $L_1 = 50\Omega$ impedance lines
 All input transition times are $2.0\text{ ns} \pm 0.2\text{ ns}$

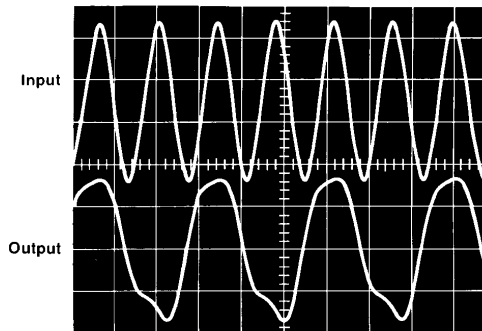
FIGURE 1. Propagation Delay (CP to Q)



$R_T = 50\Omega$ termination of scope
 $L_1 = 50\Omega$ impedance lines
 Adjust V_{BIAS} for $+0.7\text{V}$ baseline of
 800 mV peak-to-peak sinewave input.
 All input transition times are $2.0\text{ ns} \pm 0.2\text{ ns}$

FIGURE 2. Toggle Frequency Test Circuit

Typical Waveforms



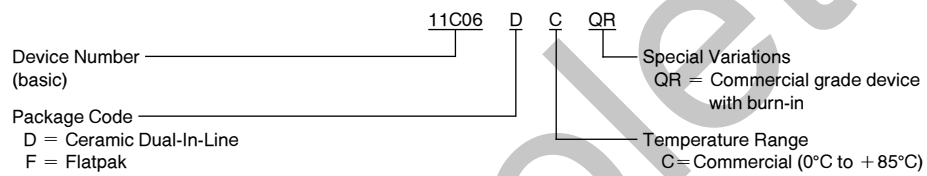
700 MHz Operation

TL/F/9890-6

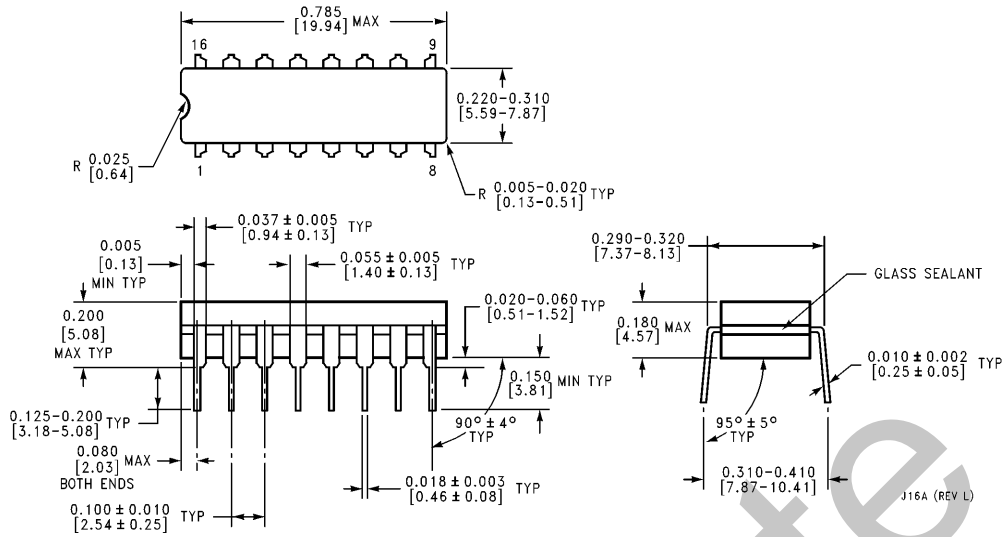
Horizontal Scale = 1.0 ns/div
Vertical Scale = 200 mV/div

Ordering Information

The device number is used to form part of a simplified purchasing code where the package type and temperature range are defined as follows:



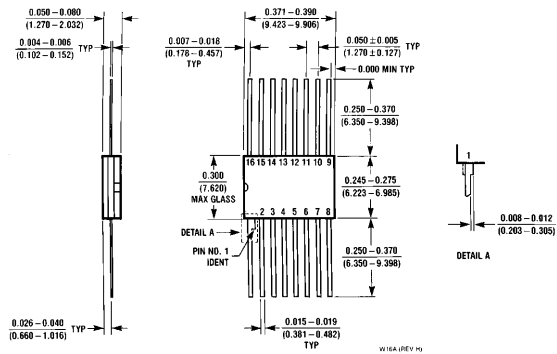
Physical Dimensions inches (millimeters)



**16 Lead Ceramic Dual-In-Line Package (D)
NS Package Number J16A**

Obsolete

Physical Dimensions inches (millimeters) (Continued)



**16 Lead Ceramic Flatpak (F)
NS Package Number W16A**

LIFE SUPPORT POLICY

NATIONAL'S PRODUCTS ARE NOT AUTHORIZED FOR USE AS CRITICAL COMPONENTS IN LIFE SUPPORT DEVICES OR SYSTEMS WITHOUT THE EXPRESS WRITTEN APPROVAL OF THE PRESIDENT OF NATIONAL SEMICONDUCTOR CORPORATION. As used herein:

1. Life support devices or systems are devices or systems which, (a) are intended for surgical implant into the body, or (b) support or sustain life, and whose failure to perform, when properly used in accordance with instructions for use provided in the labeling, can be reasonably expected to result in a significant injury to the user.
2. A critical component is any component of a life support device or system whose failure to perform can be reasonably expected to cause the failure of the life support device or system, or to affect its safety or effectiveness.



National Semiconductor Corporation
1111 West Bardin Road
Arlington, TX 76017
Tel: 1(800) 272-9959
Fax: 1(800) 737-7018

National Semiconductor Europe
Fax: (+49) 0-180-530 85 86
Email: cnjwge@tevm2.nsc.com
Deutsch Tel: (+49) 0-180-530 85 85
English Tel: (+49) 0-180-532 78 32
Français Tel: (+49) 0-180-532 93 58
Italiano Tel: (+49) 0-180-534 16 80

National Semiconductor Hong Kong Ltd.
19th Floor, Straight Block,
Ocean Centre, 5 Canton Rd.
Tsimshatsui, Kowloon
Hong Kong
Tel: (852) 2737-1600
Fax: (852) 2736-9960

National Semiconductor Japan Ltd.
Tel: 81-043-299-2309
Fax: 81-043-299-2408

National does not assume any responsibility for use of any circuitry described, no circuit patent licenses are implied and National reserves the right at any time without notice to change said circuitry and specifications.

IMPORTANT NOTICE

Texas Instruments Incorporated and its subsidiaries (TI) reserve the right to make corrections, modifications, enhancements, improvements, and other changes to its products and services at any time and to discontinue any product or service without notice. Customers should obtain the latest relevant information before placing orders and should verify that such information is current and complete. All products are sold subject to TI's terms and conditions of sale supplied at the time of order acknowledgment.

TI warrants performance of its hardware products to the specifications applicable at the time of sale in accordance with TI's standard warranty. Testing and other quality control techniques are used to the extent TI deems necessary to support this warranty. Except where mandated by government requirements, testing of all parameters of each product is not necessarily performed.

TI assumes no liability for applications assistance or customer product design. Customers are responsible for their products and applications using TI components. To minimize the risks associated with customer products and applications, customers should provide adequate design and operating safeguards.

TI does not warrant or represent that any license, either express or implied, is granted under any TI patent right, copyright, mask work right, or other TI intellectual property right relating to any combination, machine, or process in which TI products or services are used. Information published by TI regarding third-party products or services does not constitute a license from TI to use such products or services or a warranty or endorsement thereof. Use of such information may require a license from a third party under the patents or other intellectual property of the third party, or a license from TI under the patents or other intellectual property of TI.

Reproduction of TI information in TI data books or data sheets is permissible only if reproduction is without alteration and is accompanied by all associated warranties, conditions, limitations, and notices. Reproduction of this information with alteration is an unfair and deceptive business practice. TI is not responsible or liable for such altered documentation. Information of third parties may be subject to additional restrictions.

Resale of TI products or services with statements different from or beyond the parameters stated by TI for that product or service voids all express and any implied warranties for the associated TI product or service and is an unfair and deceptive business practice. TI is not responsible or liable for any such statements.

TI products are not authorized for use in safety-critical applications (such as life support) where a failure of the TI product would reasonably be expected to cause severe personal injury or death, unless officers of the parties have executed an agreement specifically governing such use. Buyers represent that they have all necessary expertise in the safety and regulatory ramifications of their applications, and acknowledge and agree that they are solely responsible for all legal, regulatory and safety-related requirements concerning their products and any use of TI products in such safety-critical applications, notwithstanding any applications-related information or support that may be provided by TI. Further, Buyers must fully indemnify TI and its representatives against any damages arising out of the use of TI products in such safety-critical applications.

TI products are neither designed nor intended for use in military/aerospace applications or environments unless the TI products are specifically designated by TI as military-grade or "enhanced plastic." Only products designated by TI as military-grade meet military specifications. Buyers acknowledge and agree that any such use of TI products which TI has not designated as military-grade is solely at the Buyer's risk, and that they are solely responsible for compliance with all legal and regulatory requirements in connection with such use.

TI products are neither designed nor intended for use in automotive applications or environments unless the specific TI products are designated by TI as compliant with ISO/TS 16949 requirements. Buyers acknowledge and agree that, if they use any non-designated products in automotive applications, TI will not be responsible for any failure to meet such requirements.

Following are URLs where you can obtain information on other Texas Instruments products and application solutions:

Products

Audio	www.ti.com/audio
Amplifiers	amplifier.ti.com
Data Converters	dataconverter.ti.com
DLP® Products	www.dlp.com
DSP	dsp.ti.com
Clocks and Timers	www.ti.com/clocks
Interface	interface.ti.com
Logic	logic.ti.com
Power Mgmt	power.ti.com
Microcontrollers	microcontroller.ti.com
RFID	www.ti-rfid.com
OMAP Mobile Processors	www.ti.com/omap
Wireless Connectivity	www.ti.com/wirelessconnectivity

Applications

Communications and Telecom	www.ti.com/communications
Computers and Peripherals	www.ti.com/computers
Consumer Electronics	www.ti.com/consumer-apps
Energy and Lighting	www.ti.com/energy
Industrial	www.ti.com/industrial
Medical	www.ti.com/medical
Security	www.ti.com/security
Space, Avionics and Defense	www.ti.com/space-avionics-defense
Transportation and Automotive	www.ti.com/automotive
Video and Imaging	www.ti.com/video

TI E2E Community Home Page

e2e.ti.com

Mailing Address: Texas Instruments, Post Office Box 655303, Dallas, Texas 75265
Copyright © 2011, Texas Instruments Incorporated