

# LM760

*LM760 High Speed Differential Comparator*



Literature Number: SNOS396

## LM760 High Speed Differential Comparator

### General Description

The LM760 is a differential voltage comparator offering considerable speed improvement over the LM710 family and operates from symmetric supplies of  $\pm 4.5\text{V}$  to  $\pm 6.5\text{V}$ . The LM760 can be used in high speed analog-to-digital conversion systems and as a zero crossing detector in disc file and tape amplifiers. The LM760 output features balanced rise and fall times for minimum skew and close matching between the complementary outputs. The outputs are TTL compatible with a minimum sink capability of two gate loads.

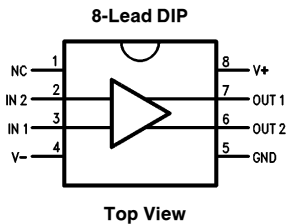
### Features

- Guaranteed high speed— 25 ns response time
- Guaranteed delay matching on both outputs
- Complementary TTL compatible outputs
- High sensitivity
- Standard supply voltages

### Applications

- High speed A-to-D
- Peak or zero detector

### Connection Diagram



TL/H/10067-3

### Ordering Information

Temperature Range Commercial 0°C to +70°C	Package Type	NSC Package Drawing
LM760CN	8-lead Plastic DIP	N08E

## Absolute Maximum Ratings

If Military/Aerospace specified devices are required, please contact the National Semiconductor Sales Office/Distributors for availability and specifications.

Storage Temperature Range		
Metal Can and Ceramic DIP	-65°C to +175°C	
Molded DIP	-65°C to +150°C	
Operating Temperature Range		
Military (LM760)	-55°C to +125°C	
Commercial (LM760C)	0°C to +70°C	
Lead Temperature		
Metal Can and Ceramic DIP (Soldering, 60 sec.)	300°C	
Molded DIP (Soldering, 10 sec.)	265°C	

Positive Supply Voltage	+8.0V
Negative Supply Voltage	-8.0V
Peak Output Current	10 mA
Differential Input Voltage	±5.0V
Input Voltage	$V^+ \geq V_I \geq V^-$
ESD Susceptibility	TBD

## LM760

### Electrical Characteristics

$V_{CC} = \pm 4.5V$  to  $\pm 6.5V$ ,  $T_A = -55^\circ C$  to  $+125^\circ C$ ,  $T_A = 25^\circ C$  for typical figures, unless otherwise specified

Symbol	Parameter	Conditions	Min	Typ	Max	Units
$V_{IO}$	Input Offset Voltage	$R_S \leq 200\Omega$		1.0	6.0	mV
$I_{IO}$	Input Offset Current			0.5	7.5	$\mu A$
$I_{IB}$	Input Bias Current			8.0	60	$\mu A$
$R_O$	Output Resistance (Either Output)	$V_O = V_{OH}$		100		$\Omega$
$t_{PD}$	Response Time	$T_A = 25^\circ C$ (Note 3)		18	30	ns
		$T_A = 25^\circ C$ (Note 4)			25	
		(Note 5)		16		
$\Delta t_{PD}$	Response Time Difference between Outputs (Note 1) ( $t_{PD}$ of $+V_{I1}$ ) - ( $t_{PD}$ of $-V_{I2}$ )	$T_A = 25^\circ C$			5.0	ns
		$T_A = 25^\circ C$			5.0	
		$T_A = 25^\circ C$			7.5	
		$T_A = 25^\circ C$			7.5	
$R_I$	Input Resistance	$f = 1.0$ MHz		12		k $\Omega$
$C_I$	Input Capacitance	$f = 1.0$ MHz		8.0		pF
$\Delta V_{IO}/\Delta T$	Average Temperature Coefficient of Input Offset Voltage	$R_S = 50\Omega$ , $T_A = -55^\circ C$ to $+125^\circ C$		3.0		$\mu V/^\circ C$
$\Delta I_{IO}/\Delta T$	Average Temperature Coefficient of Input Offset Current	$T_A = +25^\circ C$ to $+125^\circ C$		2.0		nA/ $^\circ C$
		$T_A = +25^\circ C$ to $-55^\circ C$		7.0		
$V_{IR}$	Input Voltage Range	$V_{CC} = \pm 6.5V$	±4.0	±4.5		V
$V_{IDR}$	Differential Input Voltage Range			±5.0		V
$V_{OH}$	Output Voltage HIGH (Either Output)	$0 \text{ mA} \leq I_{OH} \leq 5.0 \text{ mA}$ $V_{CC} = +5.0V$	2.4	3.2		V
		$I_{OH} = 80 \mu A$ , $V_{CC} = \pm 4.5V$	2.4	3.0		
$V_{OL}$	Output Voltage LOW (Either Output)	$I_{OL} = 3.2 \text{ mA}$		0.25	0.4	V
$I^+$	Positive Supply Current	$V_{CC} = \pm 6.5V$		18	32	mA
$I^-$	Negative Supply Current	$V_{CC} = \pm 6.5V$		9.0	16	mA

## LM760C

### Electrical Characteristics

$V_{CC} = \pm 4.5V$  to  $\pm 6.5V$ ,  $T_A = 0^\circ C$  to  $+70^\circ C$ ,  $T_A = 25^\circ C$  for typical figures, unless otherwise specified

Symbol	Parameter	Conditions	Min	Typ	Max	Units
$V_{IO}$	Input Offset Voltage	$R_S \leq 200\Omega$		1.0	6.0	mV
$I_{IO}$	Input Offset Current			0.5	7.5	$\mu A$
$I_B$	Input Bias Current			8.0	60	$\mu A$
$R_O$	Output Resistance (Either Output)	$V_O = V_{OH}$		100		$\Omega$
$t_{PD}$	Response Time	$T_A = 25^\circ C$ (Note 3)		18	30	ns
		$T_A = 25^\circ C$ (Note 4)			25	
		(Note 5)		16		
$\Delta t_{PD}$	Response Time Difference between Outputs (Note 1) ( $t_{PD}$ of $+V_{I1}$ ) - ( $t_{PD}$ of $-V_{I2}$ )	$T_A = 25^\circ C$			5.0	ns
		$T_A = 25^\circ C$			5.0	
		$T_A = 25^\circ C$			10	
		$T_A = 25^\circ C$			10	
$R_I$	Input Resistance	$f = 1.0$ MHz		12		$k\Omega$
$C_I$	Input Capacitance	$f = 1.0$ MHz		8.0		pF
$\Delta V_{IO}/\Delta T$	Average Temperature Coefficient of Input Offset Voltage	$R_S = 50\Omega$ , $T_A = 0^\circ C$ to $+70^\circ C$		3.0		$\mu V/^\circ C$
$\Delta I_{IO}/\Delta T$	Average Temperature Coefficient of Input Offset Current	$T_A = +25^\circ C$ to $+70^\circ C$		5.0		nA/ $^\circ C$
		$T_A = +25^\circ C$ to $0^\circ C$		10		
$V_{IR}$	Input Voltage Range	$V_{CC} = \pm 6.5V$	$\pm 4.0$	$\pm 4.5$		V
$V_{IDR}$	Differential Input Voltage Range			$\pm 5.0$		V
$V_{OH}$	Output Voltage HIGH (Either Output)	$0$ mA $\leq I_{OH} \leq 5.0$ mA $V_{CC} = +5.0V$	2.4	3.2		V
		$I_{OH} = 80$ $\mu A$ , $V_{CC} = \pm 4.5V$	2.5	3.0		
$V_{OL}$	Output Voltage LOW (Either Output)	$I_{OL} = 3.2$ mA		0.25	0.4	V
$I^+$	Positive Supply Current	$V_{CC} = \pm 6.5V$		18	34	mA
$I^-$	Negative Supply Current	$V_{CC} = \pm 6.5V$		9.0	16	mA

**Note 1:**  $T_{J\ Max} = 150^\circ C$ .

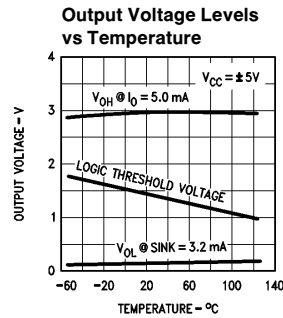
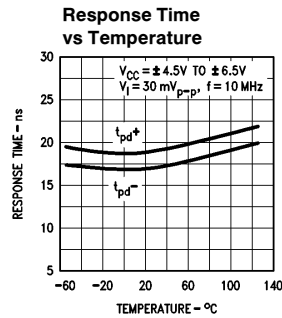
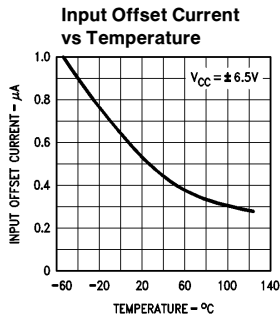
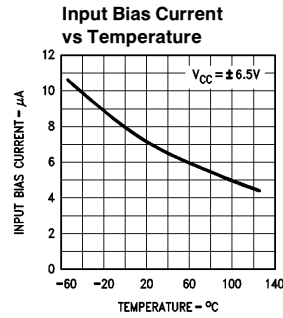
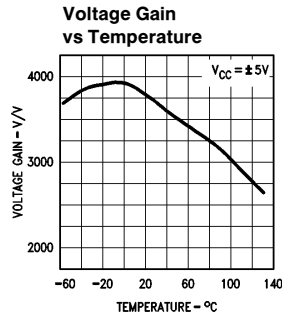
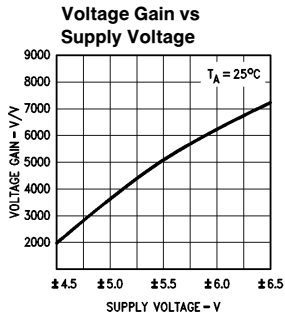
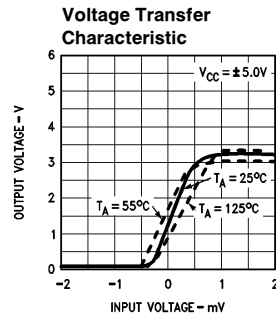
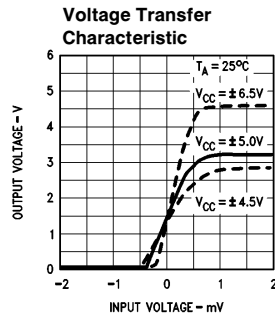
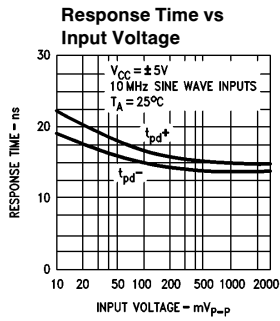
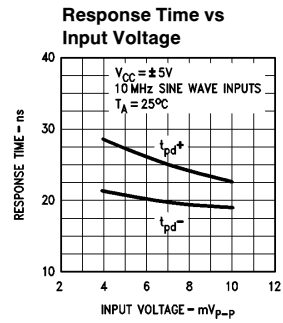
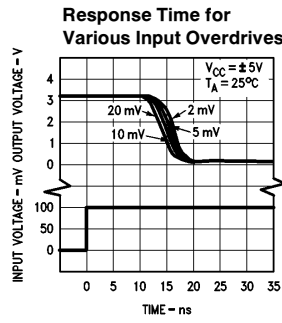
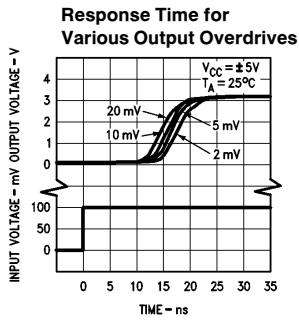
**Note 2:** Ratings apply to ambient temperature at  $25^\circ C$ .

**Note 3:** Response time measured from the 50% point of a 30 mV<sub>P-P</sub> 10 MHz sinusoidal input to the 50% point of the output.

**Note 4:** Response time measured from the 50% point of a 2.0 V<sub>P-P</sub> 10 MHz sinusoidal input to the 50% point of the output.

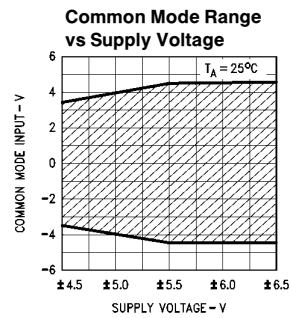
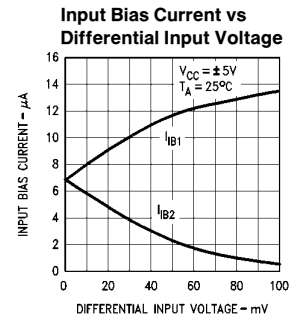
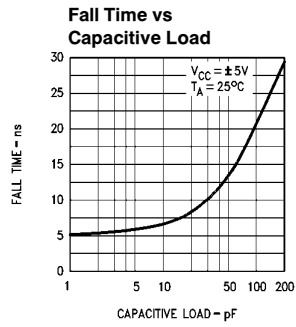
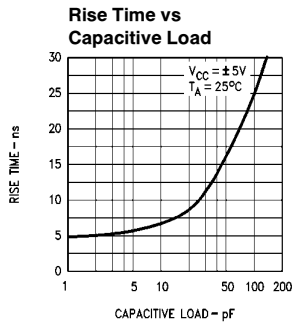
**Note 5:** Response time measured from the start of a 100 mV input step with 5.0 mV overdrive to the time when the output crosses the logic threshold.

# Typical Performance Characteristics



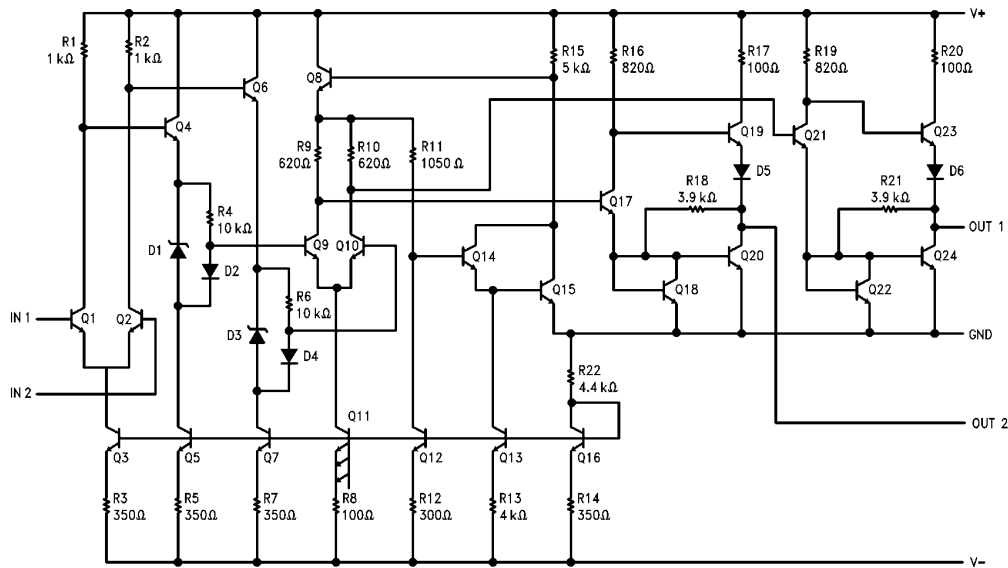
TL/H/10067-5

## Typical Performance Characteristics (Continued)



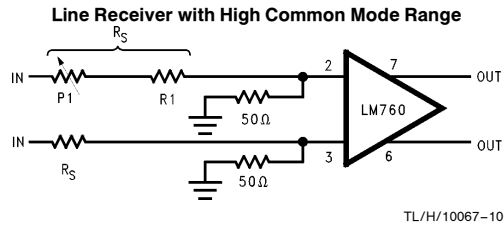
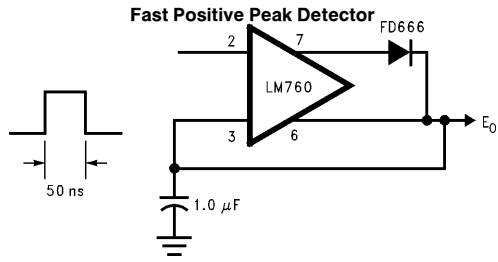
TL/H/10067-6

## Equivalent Circuit



TL/H/10067-4

## Typical Applications (Note 1)



$$\text{Common mode range} = \pm 4 \times \frac{R_S}{50} \text{ V}$$

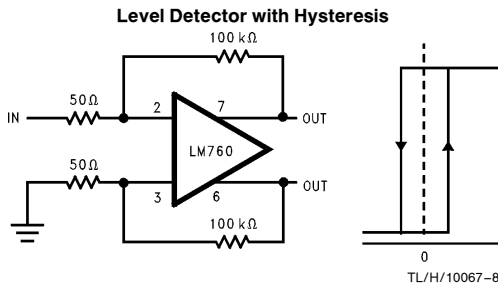
$$\text{Differential Input Sensitivity} = 5 \times \frac{R_S}{50} \text{ mV}$$

$P_1$  must be adjusted for optimum common mode rejection.

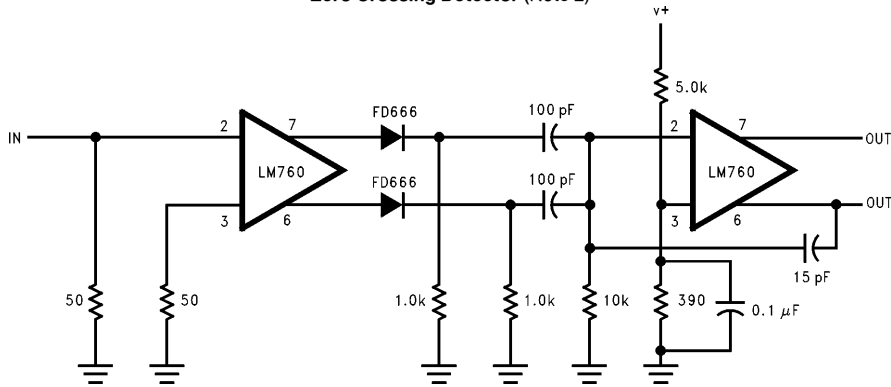
For  $R_S = 200\Omega$ :

$$\text{Common mode range} = \pm 16\text{V}$$

$$\text{Sensitivity} = 20 \text{ mV}$$



## Zero Crossing Detector (Note 2)



Total delay = 30 ns  
 Input Frequency = 300 Hz to 3.0 MHz  
 Minimum input voltage = 20 mV<sub>p-p</sub>

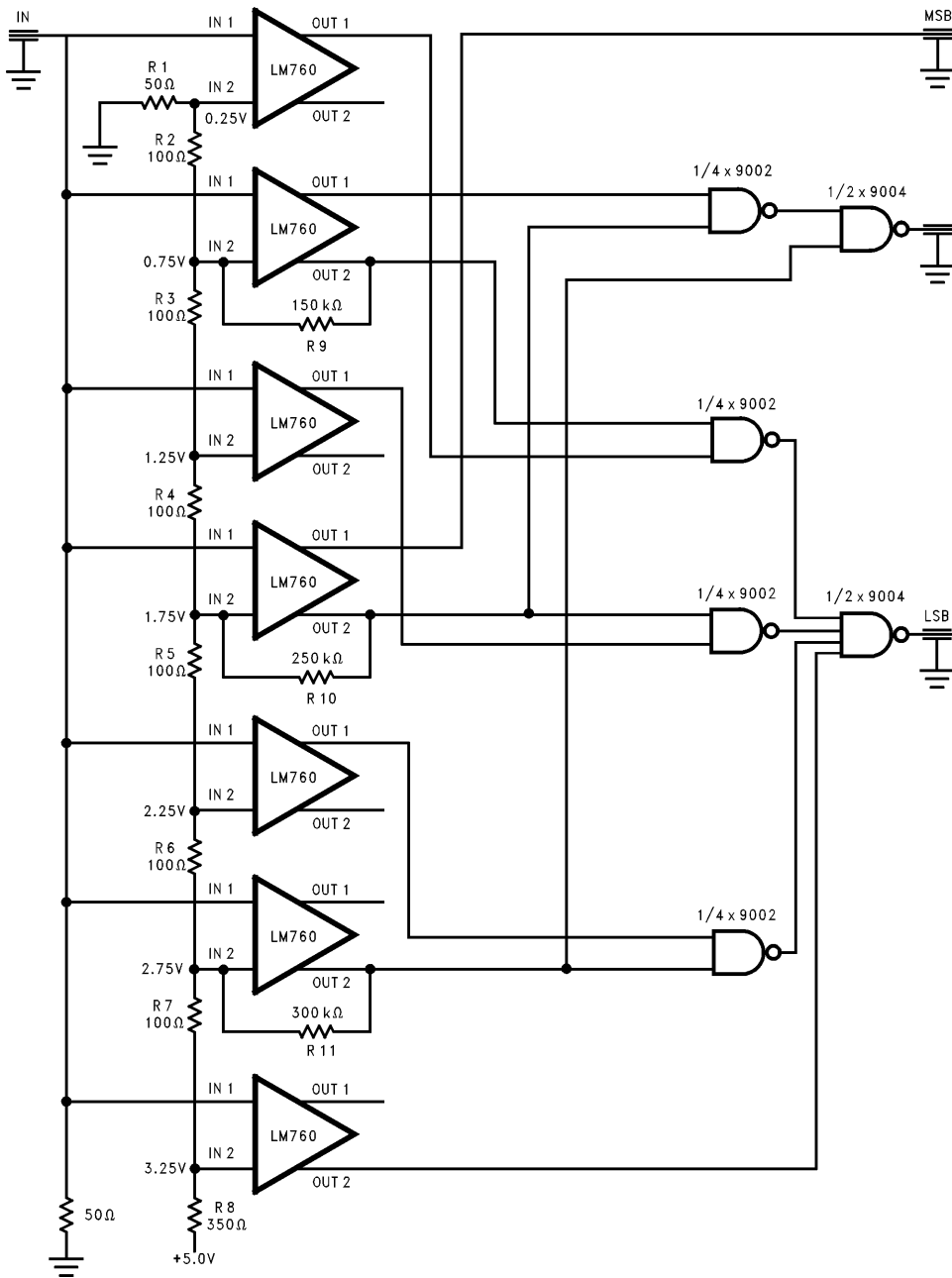
TL/H/10067-9

**Note 1:** Lead numbers shown are for Metal Package only.

**Note 2:** All resistor values in ohms.

**Typical Applications** (Note 1) (Continued)

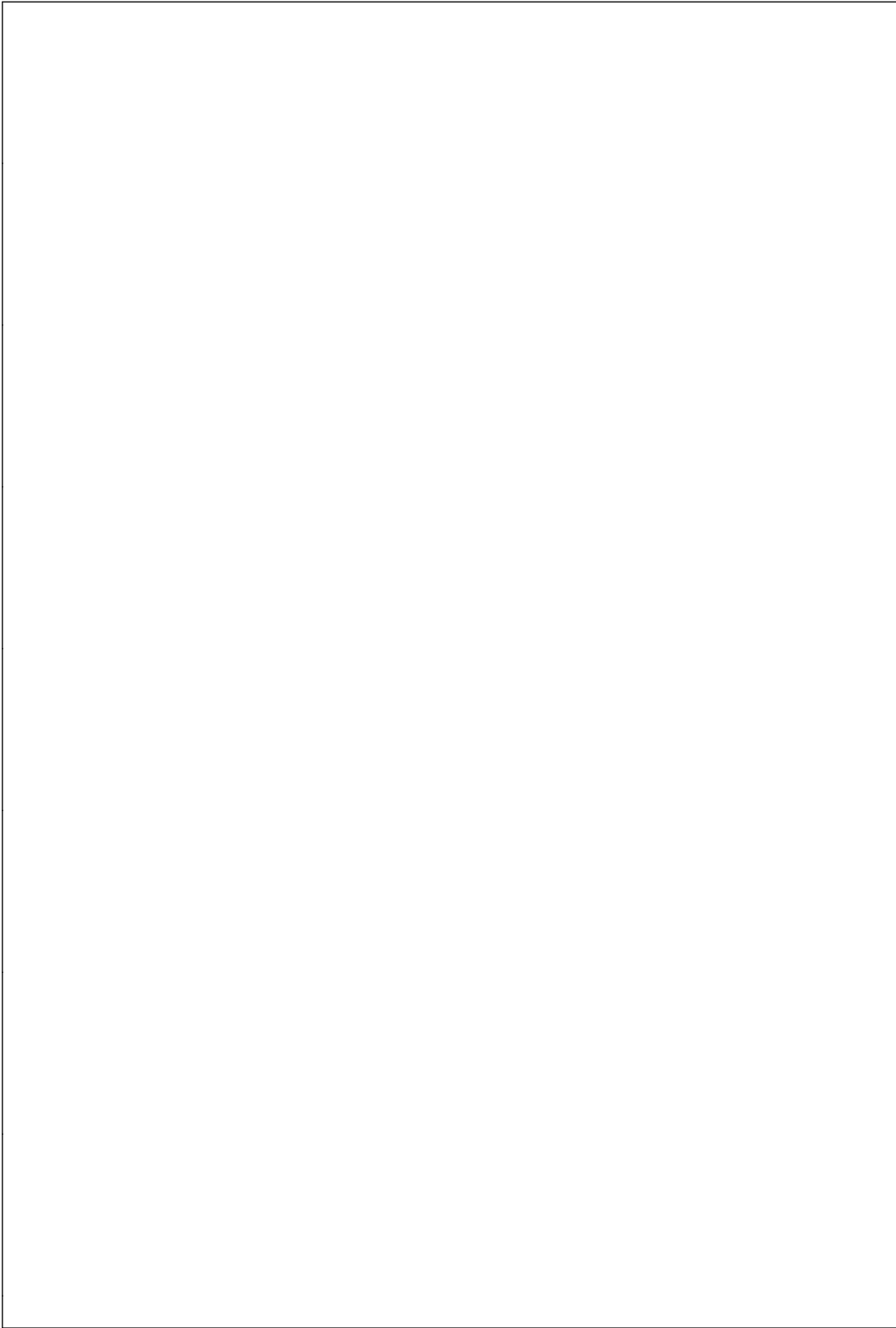
**High Speed 3-Bit A/D Converter**



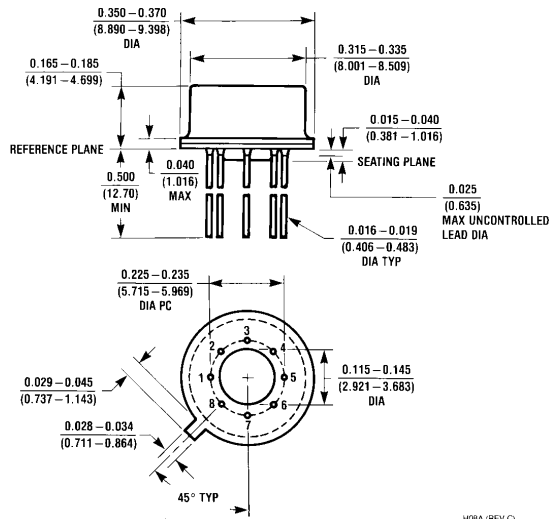
Input voltage range = 3.5V  
 Typical conversion speed = 30 ns

TL/H/10067-11

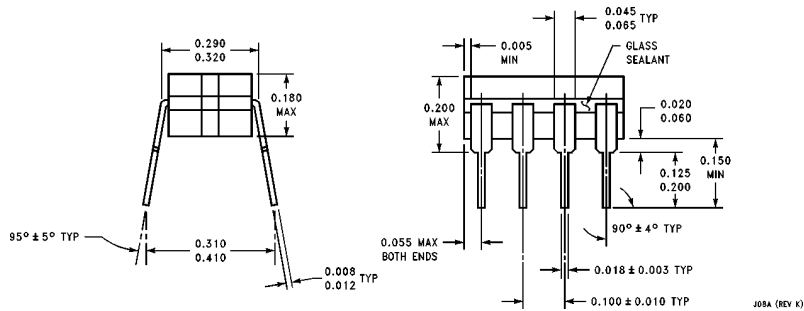
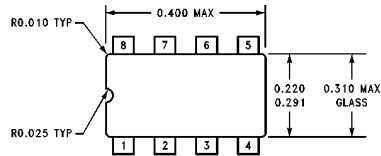




**Physical Dimensions** inches (millimeters)

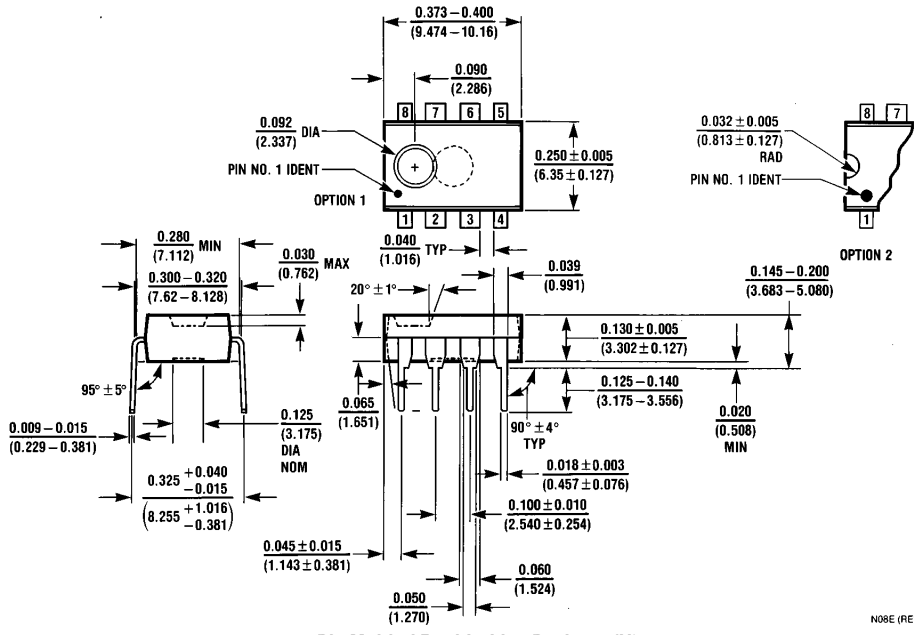


**8-Lead Metal Can Package (H)**  
Order Number LM760CH or LM760H  
NS Package Number H08A



**8-Lead Ceramic Dual-In-Line Package (J)**  
Order Number LM760CJ or LM760J  
NS Package Number J08A

**Physical Dimensions** inches (millimeters) (Continued)



**8-Pin Molded Dual-In-Line Package (N)**  
**Order Number LM760CN**  
**NS Package Number N08E**

N08E (REV F)

**LIFE SUPPORT POLICY**

NATIONAL'S PRODUCTS ARE NOT AUTHORIZED FOR USE AS CRITICAL COMPONENTS IN LIFE SUPPORT DEVICES OR SYSTEMS WITHOUT THE EXPRESS WRITTEN APPROVAL OF THE PRESIDENT OF NATIONAL SEMICONDUCTOR CORPORATION. As used herein:

1. Life support devices or systems are devices or systems which, (a) are intended for surgical implant into the body, or (b) support or sustain life, and whose failure to perform, when properly used in accordance with instructions for use provided in the labeling, can be reasonably expected to result in a significant injury to the user.
2. A critical component is any component of a life support device or system whose failure to perform can be reasonably expected to cause the failure of the life support device or system, or to affect its safety or effectiveness.



**National Semiconductor Corporation**  
 1111 West Bardin Road  
 Arlington, TX 76017  
 Tel: 1(800) 272-9959  
 Fax: 1(800) 737-7018

**National Semiconductor Europe**  
 Fax: (+49) 0-180-530 85 86  
 Email: cnjwge@tevm2.nsc.com  
 Deutsch Tel: (+49) 0-180-530 85 85  
 English Tel: (+49) 0-180-532 78 32  
 Français Tel: (+49) 0-180-532 93 58  
 Italiano Tel: (+49) 0-180-534 16 80

**National Semiconductor Hong Kong Ltd.**  
 19th Floor, Straight Block,  
 Ocean Centre, 5 Canton Rd.  
 Tsimshatsui, Kowloon  
 Hong Kong  
 Tel: (852) 2737-1600  
 Fax: (852) 2736-9960

**National Semiconductor Japan Ltd.**  
 Tel: 81-043-299-2309  
 Fax: 81-043-299-2408

National does not assume any responsibility for use of any circuitry described, no circuit patent licenses are implied and National reserves the right at any time without notice to change said circuitry and specifications.

## IMPORTANT NOTICE

Texas Instruments Incorporated and its subsidiaries (TI) reserve the right to make corrections, modifications, enhancements, improvements, and other changes to its products and services at any time and to discontinue any product or service without notice. Customers should obtain the latest relevant information before placing orders and should verify that such information is current and complete. All products are sold subject to TI's terms and conditions of sale supplied at the time of order acknowledgment.

TI warrants performance of its hardware products to the specifications applicable at the time of sale in accordance with TI's standard warranty. Testing and other quality control techniques are used to the extent TI deems necessary to support this warranty. Except where mandated by government requirements, testing of all parameters of each product is not necessarily performed.

TI assumes no liability for applications assistance or customer product design. Customers are responsible for their products and applications using TI components. To minimize the risks associated with customer products and applications, customers should provide adequate design and operating safeguards.

TI does not warrant or represent that any license, either express or implied, is granted under any TI patent right, copyright, mask work right, or other TI intellectual property right relating to any combination, machine, or process in which TI products or services are used. Information published by TI regarding third-party products or services does not constitute a license from TI to use such products or services or a warranty or endorsement thereof. Use of such information may require a license from a third party under the patents or other intellectual property of the third party, or a license from TI under the patents or other intellectual property of TI.

Reproduction of TI information in TI data books or data sheets is permissible only if reproduction is without alteration and is accompanied by all associated warranties, conditions, limitations, and notices. Reproduction of this information with alteration is an unfair and deceptive business practice. TI is not responsible or liable for such altered documentation. Information of third parties may be subject to additional restrictions.

Resale of TI products or services with statements different from or beyond the parameters stated by TI for that product or service voids all express and any implied warranties for the associated TI product or service and is an unfair and deceptive business practice. TI is not responsible or liable for any such statements.

TI products are not authorized for use in safety-critical applications (such as life support) where a failure of the TI product would reasonably be expected to cause severe personal injury or death, unless officers of the parties have executed an agreement specifically governing such use. Buyers represent that they have all necessary expertise in the safety and regulatory ramifications of their applications, and acknowledge and agree that they are solely responsible for all legal, regulatory and safety-related requirements concerning their products and any use of TI products in such safety-critical applications, notwithstanding any applications-related information or support that may be provided by TI. Further, Buyers must fully indemnify TI and its representatives against any damages arising out of the use of TI products in such safety-critical applications.

TI products are neither designed nor intended for use in military/aerospace applications or environments unless the TI products are specifically designated by TI as military-grade or "enhanced plastic." Only products designated by TI as military-grade meet military specifications. Buyers acknowledge and agree that any such use of TI products which TI has not designated as military-grade is solely at the Buyer's risk, and that they are solely responsible for compliance with all legal and regulatory requirements in connection with such use.

TI products are neither designed nor intended for use in automotive applications or environments unless the specific TI products are designated by TI as compliant with ISO/TS 16949 requirements. Buyers acknowledge and agree that, if they use any non-designated products in automotive applications, TI will not be responsible for any failure to meet such requirements.

Following are URLs where you can obtain information on other Texas Instruments products and application solutions:

### Products

Audio	<a href="http://www.ti.com/audio">www.ti.com/audio</a>
Amplifiers	<a href="http://amplifier.ti.com">amplifier.ti.com</a>
Data Converters	<a href="http://dataconverter.ti.com">dataconverter.ti.com</a>
DLP® Products	<a href="http://www.dlp.com">www.dlp.com</a>
DSP	<a href="http://dsp.ti.com">dsp.ti.com</a>
Clocks and Timers	<a href="http://www.ti.com/clocks">www.ti.com/clocks</a>
Interface	<a href="http://interface.ti.com">interface.ti.com</a>
Logic	<a href="http://logic.ti.com">logic.ti.com</a>
Power Mgmt	<a href="http://power.ti.com">power.ti.com</a>
Microcontrollers	<a href="http://microcontroller.ti.com">microcontroller.ti.com</a>
RFID	<a href="http://www.ti-rfid.com">www.ti-rfid.com</a>
OMAP Mobile Processors	<a href="http://www.ti.com/omap">www.ti.com/omap</a>
Wireless Connectivity	<a href="http://www.ti.com/wirelessconnectivity">www.ti.com/wirelessconnectivity</a>

### Applications

Communications and Telecom	<a href="http://www.ti.com/communications">www.ti.com/communications</a>
Computers and Peripherals	<a href="http://www.ti.com/computers">www.ti.com/computers</a>
Consumer Electronics	<a href="http://www.ti.com/consumer-apps">www.ti.com/consumer-apps</a>
Energy and Lighting	<a href="http://www.ti.com/energy">www.ti.com/energy</a>
Industrial	<a href="http://www.ti.com/industrial">www.ti.com/industrial</a>
Medical	<a href="http://www.ti.com/medical">www.ti.com/medical</a>
Security	<a href="http://www.ti.com/security">www.ti.com/security</a>
Space, Avionics and Defense	<a href="http://www.ti.com/space-avionics-defense">www.ti.com/space-avionics-defense</a>
Transportation and Automotive	<a href="http://www.ti.com/automotive">www.ti.com/automotive</a>
Video and Imaging	<a href="http://www.ti.com/video">www.ti.com/video</a>

TI E2E Community Home Page

[e2e.ti.com](http://e2e.ti.com)

Mailing Address: Texas Instruments, Post Office Box 655303, Dallas, Texas 75265  
Copyright © 2011, Texas Instruments Incorporated