

# 54FCT541

*54FCT541 Octal Buffer/Line Driver with -TRISTATE Outputs*



Literature Number: SNOS424

# 54FCT541

## Octal Buffer/Line Driver with TRI-STATE® Outputs

### General Description

The 'FCT541 is an octal buffer and line driver with TRI-STATE outputs designed to be employed as a memory and address driver, clock driver, or bus-oriented transmitter/receiver. The 'FCT541 is similar to the 'FCT244 with broad-side pinout.

### Features

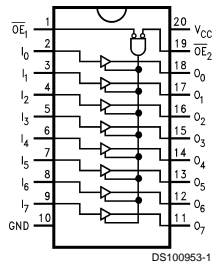
- Non-inverting buffers
- TTL input and output level compatible
- CMOS power consumption
- Output sink capability of 48 mA, source capability of 12 mA
- Flow-through pinout for ease of PC board layout
- Standard Microcircuit Drawing (SMD) 5962-8976601

### Ordering Code

Military	Package Number	Package Description
54FCT541DMQB	J20A	20-Lead Ceramic Dual-In-Line
54FCT541FMQB	W20A	20-Lead Cerpack
54FCT541LMQB	E20A	20-Lead Ceramic Leadless Chip Carrier, Type C

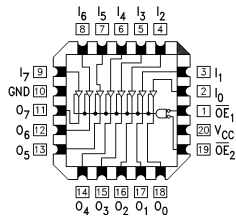
### Connection Diagram

Pin Assignment  
DIP and Cerpack



DS100953-1

Pin Assignment  
LCC



DS100953-30

Pin Names	Description
$\overline{OE}_1, \overline{OE}_2$	Output Enable Input (Active Low)
$I_0-I_7$	Inputs
$O_0-O_7$	Outputs

Inputs			Outputs
$\overline{OE}_1$	$\overline{OE}_2$	I	FCT541
L	L	H	H
H	X	X	Z
X	H	X	Z
L	L	L	L

H = HIGH Voltage Level  
L = LOW Voltage Level  
X = Immaterial  
Z = High Impedance

TRI-STATE® is a registered trademark of Fairchild Semiconductor Corporation.

**Absolute Maximum Ratings** (Note 1)

If Military/Aerospace specified devices are required, please contact the National Semiconductor Sales Office/Distributors for availability and specifications.

Storage Temperature	-65°C to +150°C
Ambient Temperature under Bias	-55°C to +125°C
Junction Temperature under Bias	
Ceramic	-55°C to +175°C
V <sub>CC</sub> Pin Potential to	
Ground Pin	-0.5V to +7.0V
Input Voltage (Note 2)	-0.5V to +7.0V
Input Current (Note 2)	-30 mA to +5.0 mA
Voltage Applied to Any Output	
in the Disabled or	
Power-Off State	-0.5V to 5.5V

in the HIGH State	-0.5V to V <sub>CC</sub>
Current Applied to Output	
in LOW State (Max)	twice the rated I <sub>OL</sub> (mA)
DC Latchup Source Current	-500 mA

**Recommended Operating Conditions**

Free Air Ambient Temperature	
Military	-55°C to +125°C
Supply Voltage	
Military	+4.5V to +5.5V
Minimum Input Edge Rate	(ΔV/Δt)
Data Input	50 mV/ns
Enable Input	20 mV/ns

**DC Electrical Characteristics**

Symbol	Parameter	FCT541			Units	V <sub>CC</sub>	Conditions
		Min	Typ	Max			
V <sub>IH</sub>	Input HIGH Voltage	2.0			V		Recognized HIGH Signal
V <sub>IL</sub>	Input LOW Voltage				V		Recognized LOW Signal
V <sub>CD</sub>	Input Clamp Diode Voltage				V	Min	I <sub>IN</sub> = -18 mA
V <sub>OH</sub>	Output HIGH Voltage	54FCT	4.3		V	Min	I <sub>OH</sub> = -300 μA
		54FCT	2.4		V	Min	I <sub>OH</sub> = -12 mA
V <sub>OL</sub>	Output LOW Voltage	54FCT		0.2	V	Min	I <sub>OL</sub> = 300 μA
		54FCT		0.55	V	Min	I <sub>OL</sub> = 48 mA
I <sub>IH</sub>	Input HIGH Current				μA	Max	V <sub>IN</sub> = V <sub>CC</sub>
I <sub>IL</sub>	Input LOW Current				μA	Max	V <sub>IN</sub> = 0.0V
I <sub>OZH</sub>	Output Leakage Current				μA	Max	V <sub>OUT</sub> = 5.5V; $\overline{OE}_n = 2.0V$
I <sub>OZL</sub>	Output Leakage Current				μA	Max	V <sub>OUT</sub> = 0.0V; $\overline{OE}_n = 2.0V$
I <sub>OS</sub>	Output Short-Circuit Current				mA	Max	V <sub>OUT</sub> = 0.0V
I <sub>CCQ</sub>	Quiescent Power Supply Current				mA	Max	V <sub>IN</sub> < 0.2V or V <sub>IN</sub> 5.3V, V <sub>CC</sub> = 5.5V
ΔI <sub>CC</sub>	Quiescent Power Supply Current				mA	Max	V <sub>I</sub> = V <sub>CC</sub> - 2.1V
I <sub>CCD</sub>	Dynamic I <sub>CC</sub>				mA/ MHz	Max	V <sub>CC</sub> = 5.5V, Outputs Open, One Bit Toggling, 50% Duty Cycle, $\overline{OE}_n = GND$
I <sub>CC</sub>	Total Power Supply Current				mA	Max	V <sub>CC</sub> = 5.5V, Outputs Open, f <sub>I</sub> = 10MHz, $\overline{OE}_n = GND$ , One Bit Toggling, 50% Duty Cycle, $\overline{OE}_n = GND$

**Note 1:** Absolute maximum ratings are values beyond which the device may be damaged or have its useful life impaired. Functional operation under these conditions is not implied.

**Note 2:** Either voltage limit or current limit is sufficient to protect inputs.

## AC Electrical Characteristics

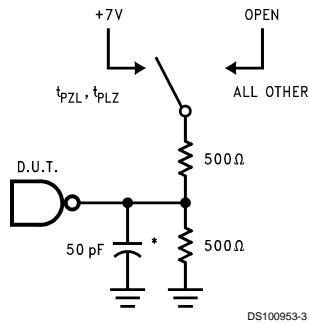
Symbol	Parameter	54FCT		Units	Fig. No.
		$T_A = -55^{\circ}\text{C to } +125^{\circ}\text{C}$			
		$V_{CC} = 4.5\text{V} - 5.5\text{V}$ $C_L = 50\text{ pF}$			
		Min	Max		
$t_{PLH}$	Propagation Delay	2.0	9.0	ns	Figure 4
$t_{PHL}$	Data to Outputs	2.0	9.0		
$t_{PZH}$	Output Enable Time	2.0	12.5	ns	Figure 5
$t_{PZL}$		2.0	12.5		
$t_{PHZ}$	Output Disable Time	2.0	12.5	ns	Figure 5
$t_{PLZ}$		2.0	12.5		

## Capacitance

Symbol	Parameter	Max	Units	Conditions $T_A = 25^{\circ}\text{C}$
$C_{IN}$	Input Capacitance	10.0	pF	$V_{CC} = 0.0\text{V}$
$C_{OUT}$ (Note 3)	Output Capacitance	12.0	pF	$V_{CC} = 5.0\text{V}$

**Note 3:**  $C_{OUT}$  is measured at frequency of  $f = 1\text{ MHz}$ , per MIL-STD-883B, Method 3012.

### AC Loading



\*Includes jig and probe capacitance

FIGURE 1. Standard AC Test Load

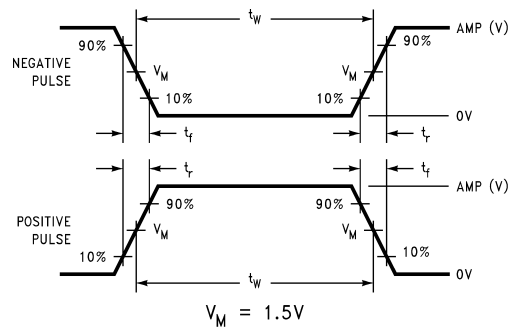


FIGURE 2. Test Input Signal Levels

Amplitude	Rep. Rate	$t_w$	$t_r$	$t_f$
3.0V	1 MHz	500 ns	2.5 ns	2.5 ns

FIGURE 3. Test Input Signal Requirements

### AC Waveforms

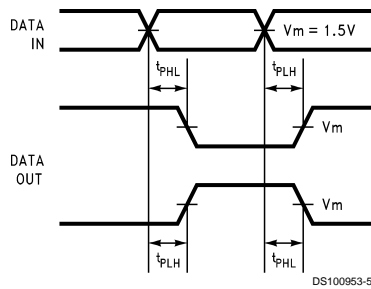


FIGURE 4. Propagation Delay Waveforms for Inverting and Non-Inverting Functions

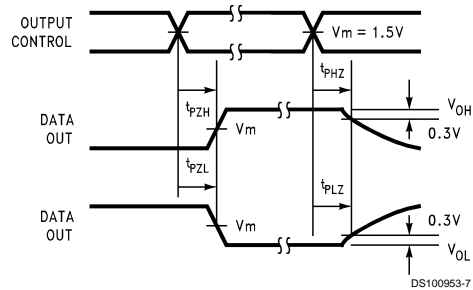
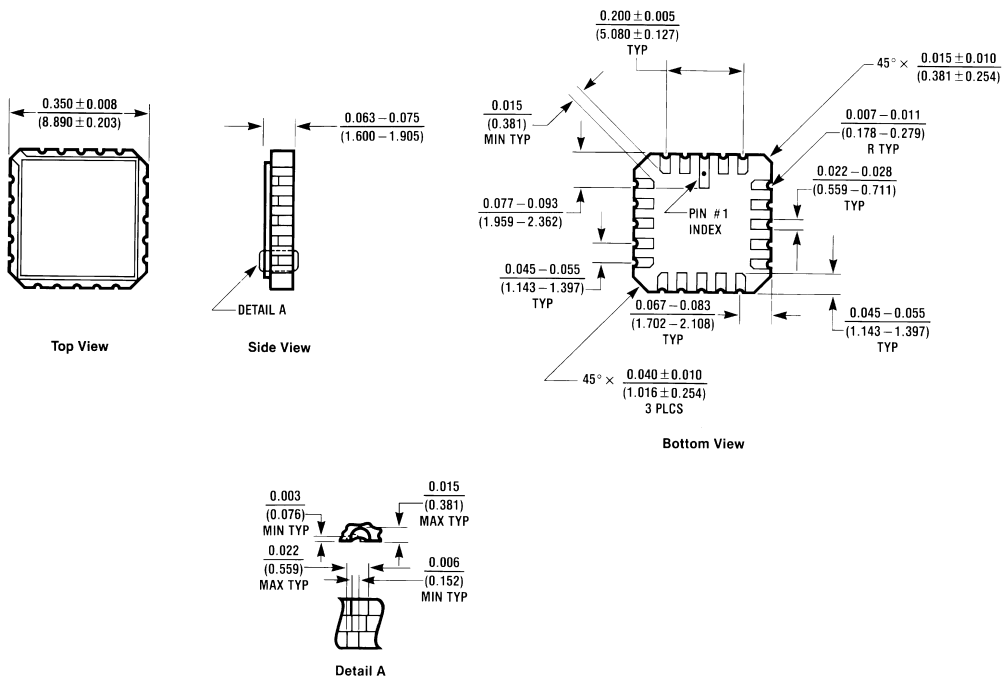


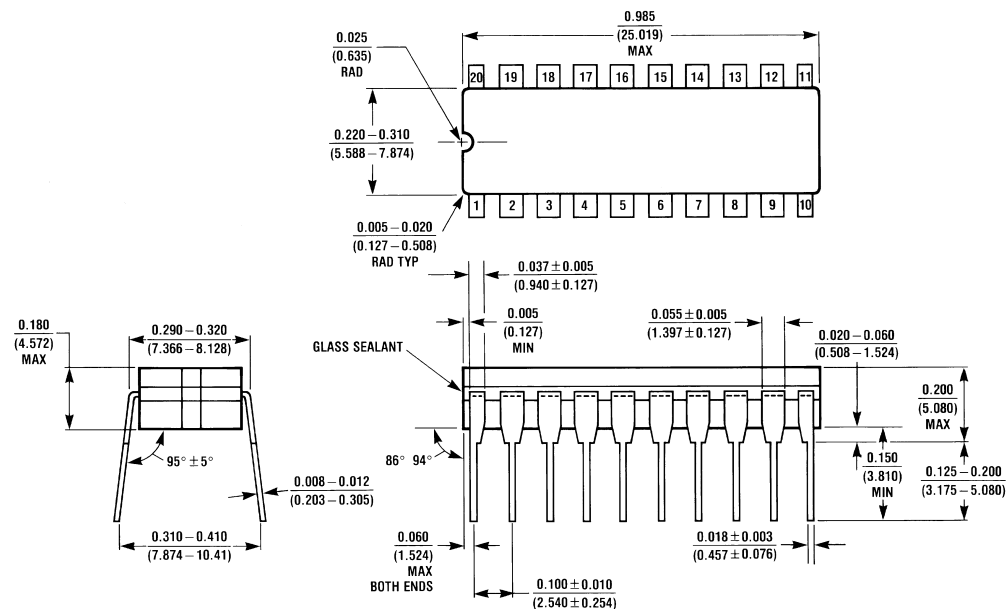
FIGURE 5. TRI-STATE Output HIGH and LOW Enable and Disable Time

**Physical Dimensions** inches (millimeters) unless otherwise noted



E20A (REV D)

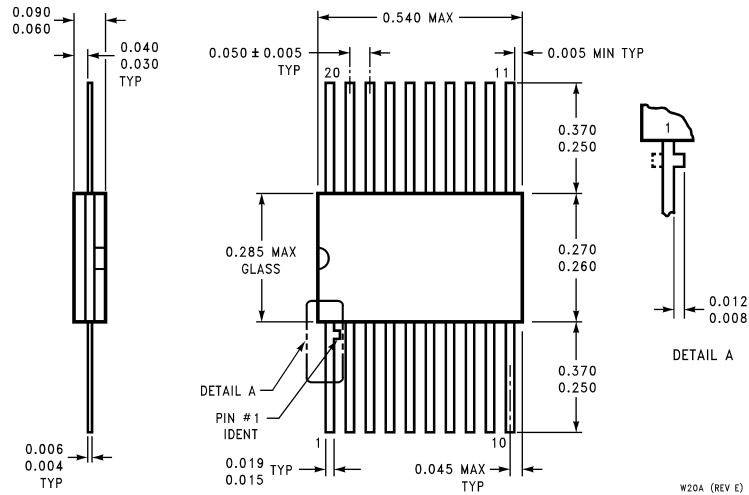
**20-Terminal Ceramic Chip Carrier  
 NS Package Number E20A**



J20A (REV M)

**20-Lead Ceramic Dual-In-Line Package  
 NS Package Number J20A**

**Physical Dimensions** inches (millimeters) unless otherwise noted (Continued)



**20-Lead Ceramic Flatpack  
NS Package Number W20A**

**LIFE SUPPORT POLICY**

NATIONAL'S PRODUCTS ARE NOT AUTHORIZED FOR USE AS CRITICAL COMPONENTS IN LIFE SUPPORT DEVICES OR SYSTEMS WITHOUT THE EXPRESS WRITTEN APPROVAL OF THE PRESIDENT AND GENERAL COUNSEL OF NATIONAL SEMICONDUCTOR CORPORATION. As used herein:

1. Life support devices or systems are devices or systems which, (a) are intended for surgical implant into the body, or (b) support or sustain life, and whose failure to perform when properly used in accordance with instructions for use provided in the labeling, can be reasonably expected to result in a significant injury to the user.
2. A critical component is any component of a life support device or system whose failure to perform can be reasonably expected to cause the failure of the life support device or system, or to affect its safety or effectiveness.



**National Semiconductor Corporation**  
Americas  
Tel: 1-800-272-9959  
Fax: 1-800-737-7018  
Email: support@nsc.com

www.national.com

**National Semiconductor Europe**  
Fax: +49 (0) 1 80-530 85 86  
Email: europe.support@nsc.com  
Deutsch Tel: +49 (0) 1 80-530 85 85  
English Tel: +49 (0) 1 80-532 78 32  
Français Tel: +49 (0) 1 80-532 93 58  
Italiano Tel: +49 (0) 1 80-534 16 80

**National Semiconductor Asia Pacific Customer Response Group**  
Tel: 65-2544466  
Fax: 65-2504466  
Email: sea.support@nsc.com

**National Semiconductor Japan Ltd.**  
Tel: 81-3-5639-7560  
Fax: 81-3-5639-7507

## IMPORTANT NOTICE

Texas Instruments Incorporated and its subsidiaries (TI) reserve the right to make corrections, modifications, enhancements, improvements, and other changes to its products and services at any time and to discontinue any product or service without notice. Customers should obtain the latest relevant information before placing orders and should verify that such information is current and complete. All products are sold subject to TI's terms and conditions of sale supplied at the time of order acknowledgment.

TI warrants performance of its hardware products to the specifications applicable at the time of sale in accordance with TI's standard warranty. Testing and other quality control techniques are used to the extent TI deems necessary to support this warranty. Except where mandated by government requirements, testing of all parameters of each product is not necessarily performed.

TI assumes no liability for applications assistance or customer product design. Customers are responsible for their products and applications using TI components. To minimize the risks associated with customer products and applications, customers should provide adequate design and operating safeguards.

TI does not warrant or represent that any license, either express or implied, is granted under any TI patent right, copyright, mask work right, or other TI intellectual property right relating to any combination, machine, or process in which TI products or services are used. Information published by TI regarding third-party products or services does not constitute a license from TI to use such products or services or a warranty or endorsement thereof. Use of such information may require a license from a third party under the patents or other intellectual property of the third party, or a license from TI under the patents or other intellectual property of TI.

Reproduction of TI information in TI data books or data sheets is permissible only if reproduction is without alteration and is accompanied by all associated warranties, conditions, limitations, and notices. Reproduction of this information with alteration is an unfair and deceptive business practice. TI is not responsible or liable for such altered documentation. Information of third parties may be subject to additional restrictions.

Resale of TI products or services with statements different from or beyond the parameters stated by TI for that product or service voids all express and any implied warranties for the associated TI product or service and is an unfair and deceptive business practice. TI is not responsible or liable for any such statements.

TI products are not authorized for use in safety-critical applications (such as life support) where a failure of the TI product would reasonably be expected to cause severe personal injury or death, unless officers of the parties have executed an agreement specifically governing such use. Buyers represent that they have all necessary expertise in the safety and regulatory ramifications of their applications, and acknowledge and agree that they are solely responsible for all legal, regulatory and safety-related requirements concerning their products and any use of TI products in such safety-critical applications, notwithstanding any applications-related information or support that may be provided by TI. Further, Buyers must fully indemnify TI and its representatives against any damages arising out of the use of TI products in such safety-critical applications.

TI products are neither designed nor intended for use in military/aerospace applications or environments unless the TI products are specifically designated by TI as military-grade or "enhanced plastic." Only products designated by TI as military-grade meet military specifications. Buyers acknowledge and agree that any such use of TI products which TI has not designated as military-grade is solely at the Buyer's risk, and that they are solely responsible for compliance with all legal and regulatory requirements in connection with such use.

TI products are neither designed nor intended for use in automotive applications or environments unless the specific TI products are designated by TI as compliant with ISO/TS 16949 requirements. Buyers acknowledge and agree that, if they use any non-designated products in automotive applications, TI will not be responsible for any failure to meet such requirements.

Following are URLs where you can obtain information on other Texas Instruments products and application solutions:

### Products

Audio	<a href="http://www.ti.com/audio">www.ti.com/audio</a>
Amplifiers	<a href="http://amplifier.ti.com">amplifier.ti.com</a>
Data Converters	<a href="http://dataconverter.ti.com">dataconverter.ti.com</a>
DLP® Products	<a href="http://www.dlp.com">www.dlp.com</a>
DSP	<a href="http://dsp.ti.com">dsp.ti.com</a>
Clocks and Timers	<a href="http://www.ti.com/clocks">www.ti.com/clocks</a>
Interface	<a href="http://interface.ti.com">interface.ti.com</a>
Logic	<a href="http://logic.ti.com">logic.ti.com</a>
Power Mgmt	<a href="http://power.ti.com">power.ti.com</a>
Microcontrollers	<a href="http://microcontroller.ti.com">microcontroller.ti.com</a>
RFID	<a href="http://www.ti-rfid.com">www.ti-rfid.com</a>
OMAP Mobile Processors	<a href="http://www.ti.com/omap">www.ti.com/omap</a>
Wireless Connectivity	<a href="http://www.ti.com/wirelessconnectivity">www.ti.com/wirelessconnectivity</a>

### Applications

Communications and Telecom	<a href="http://www.ti.com/communications">www.ti.com/communications</a>
Computers and Peripherals	<a href="http://www.ti.com/computers">www.ti.com/computers</a>
Consumer Electronics	<a href="http://www.ti.com/consumer-apps">www.ti.com/consumer-apps</a>
Energy and Lighting	<a href="http://www.ti.com/energy">www.ti.com/energy</a>
Industrial	<a href="http://www.ti.com/industrial">www.ti.com/industrial</a>
Medical	<a href="http://www.ti.com/medical">www.ti.com/medical</a>
Security	<a href="http://www.ti.com/security">www.ti.com/security</a>
Space, Avionics and Defense	<a href="http://www.ti.com/space-avionics-defense">www.ti.com/space-avionics-defense</a>
Transportation and Automotive	<a href="http://www.ti.com/automotive">www.ti.com/automotive</a>
Video and Imaging	<a href="http://www.ti.com/video">www.ti.com/video</a>

TI E2E Community Home Page

[e2e.ti.com](http://e2e.ti.com)

Mailing Address: Texas Instruments, Post Office Box 655303, Dallas, Texas 75265  
Copyright © 2011, Texas Instruments Incorporated