

54LVX3245

54LVX3245 8-Bit Dual Supply Translating Transceiver with TRI-STATE Outputs



Literature Number: SNOS446

54LVX3245

8-Bit Dual Supply Translating Transceiver with TRI-STATE® Outputs

General Description

The LVX3245 is a dual-supply, 8-bit translating transceiver that is designed to interface between a 3V bus and a 5V bus in a mixed 3V/5V supply environment. The Transmit/Receive (T/R) input determines the direction of data flow. Transmit (active-HIGH) enables data from A ports to B ports; Receive (active-LOW) enables data from B ports to A ports. The Output Enable input, when HIGH, disables both A and B ports by placing them in a TRI-STATE condition. The A port interfaces with the 3V bus; the B port interfaces with the 5V bus.

The LVX3245 is suitable for mixed voltage applications such as systems using 3.3V memories which must interface with existing busses or other components operating at 5.0V.

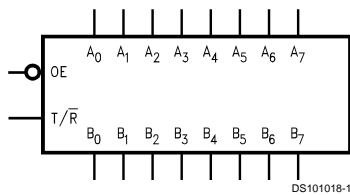
Features

- Bidirectional interface between 3V and 5V buses
- Inputs compatible with TTL level
- 3V data flow at A port and 5V data flow at B port
- Outputs source/sink 24 mA
- Available in ceramic DIP and Flatpack packages
- Implements proprietary EMI reduction circuitry
- Functionally compatible with the 54 series 245
- Standard Microcircuit Drawing (SMD) 5962-9860501

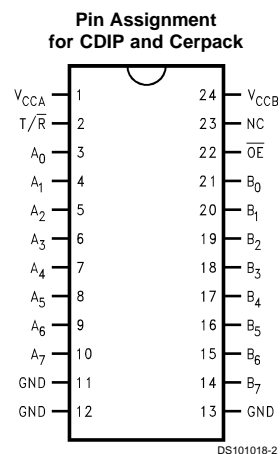
Ordering Code

Order Number	Package Number	Package Description
54LVX3245J-QML	J24F	24-Lead Ceramic Dual-in-line
54LVX3245W-QML	W24C	24-Lead Cerpack

Logic Symbol



Connection Diagram



TRI-STATE® is a registered trademark of National Semiconductor Corporation.

Pin Descriptions

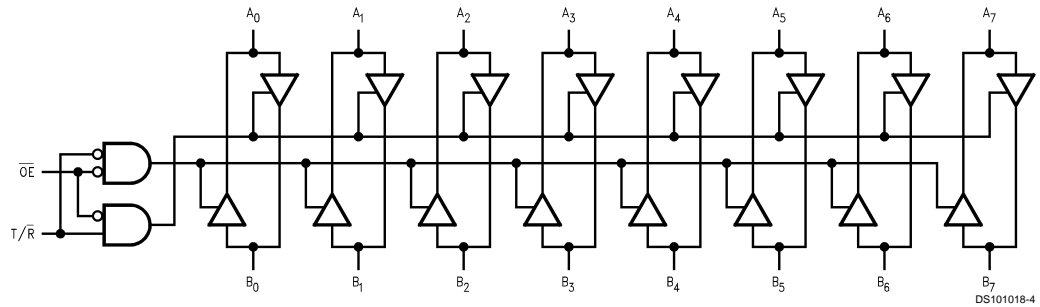
Pin Names	Description
\overline{OE}	Output Enable Input
T/\overline{R}	Transmit/Receive Input
A_0-A_7	Side A Inputs or TRI-STATE Outputs
B_0-B_7	Side B Inputs or TRI-STATE Outputs

Truth Table

Inputs		Outputs
\overline{OE}	T/\overline{R}	
L	L	Bus B Data to Bus A
L	H	Bus A Data to Bus B
H	X	HIGH-Z State

H = High Voltage Level
 L = Low Voltage Level
 I = Immaterial

Logic Diagram



Absolute Maximum Ratings (Note 1)

If Military/Aerospace specified devices are required, please contact the National Semiconductor Sales Office/Distributors for availability and specifications.

Supply Voltage (V_{CCA} , V_{CCB})	-0.5V to +7.0V
DC Input Voltage (V_i) @ \overline{OE} , T/\overline{R}	-0.5V to $V_{CCB} + 0.5V$
DC Input/Output Voltage ($V_{i/o}$)	
@ A(n)	-0.5V to $V_{CCA} + 0.5V$
@ B(n)	-0.5V to $V_{CCB} + 0.5V$
DC Input Diode Current (I_{IN})	
@ \overline{OE} , T/\overline{R}	± 20 mA
DC Output Diode Current (I_{OK})	± 50 mA
DC Output Source or Sink Current (I_O)	± 50 mA
DC V_{CC} or Ground Current	
per Output Pin (I_{CC} or I_{GND})	± 50 mA
and Max Current @ I_{CCA}	± 200 mA
@ I_{CCB}	± 200 mA
Storage Temperature Range (T_{STG})	-65°C to +150°C

Recommended Operating Conditions (Note 2)

Supply Voltage	
V_{CCA}	2.7V to 3.6V
V_{CCB}	4.5V to 5.5V
Input Voltage (V_i) @ \overline{OE} , T/\overline{R}	0V to V_{CCB}
Input/Output Voltage ($V_{i/o}$)	
@ A(n)	0V to V_{CCA}
@ B(n)	0V to V_{CCB}
Free Air Operating Temperature (T_A)	-55°C to +125°C
Minimum Input Edge Rate ($\Delta t/\Delta V$)	8 ns/V
V_{IN} from 30% to 70% of V_{CC}	
V_{CC} @ 3.0V, 4.5V, 5.5V	

Note 1: The "Absolute Maximum Ratings" are those values beyond which the safety of the device cannot be guaranteed. The device should not be operated at these limits. The parametric values defined in the Electrical Characteristics tables are not guaranteed at the absolute maximum ratings. The "Recommended Operating Conditions" table will define the conditions for actual device operation.

Note 2: Unused Pins (inputs and I/Os) must be held HIGH or LOW. They may not float.

DC Electrical Characteristics

Symbol	Parameter	V_{CCA} (V)	V_{CCB} (V)	$T_A = -55^\circ\text{C to } +125^\circ\text{C}$		Units	Conditions
				Guaranteed Limits			
V_{IHA}	Minimum High Level Input Voltage	A(n), T/\overline{R} , \overline{OE}	3.6	5.0	2.0	V	$V_{OUT} \leq 0.1V$ or $\geq V_{CC} - 0.1V$
			2.7	5.0	2.0		
V_{IHB}		B(n)	3.3	4.5	2.0		
			3.3	5.5	2.0		
V_{ILA}	Maximum Low Level Input Voltage	A(n), T/\overline{R} , \overline{OE}	3.6	5.0	0.8	V	$V_{OUT} \leq 0.1V$ or $\geq V_{CC} - 0.1V$
			2.7	5.0	0.8		
V_{ILB}		B(n)	3.3	4.5	0.8		
			3.3	5.5	0.8		
V_{OHA}	Minimum High Level Output Voltage		2.7	4.5	2.6	V	$I_{OH} = -100 \mu\text{A}$ $I_{OH} = -100 \mu\text{A}$ $I_{OH} = -12 \text{ mA}$ $I_{OH} = -12 \text{ mA}$ $I_{OH} = -24 \text{ mA}$
			3.6	5.5	3.5		
			2.7	4.5	2.2		
			3.0	4.5	2.4		
			3.0	4.5	2.2		
V_{OHB}			2.7	4.5	4.4	V	$I_{OH} = -100 \mu\text{A}$ $I_{OH} = -100 \mu\text{A}$ $I_{OH} = -24 \text{ mA}$
			3.6	5.5	5.4		
			3.0	4.5	3.7		
V_{OLA}	Maximum Low Level Output Voltage		2.7	4.5	0.1	V	$I_{OL} = 100 \mu\text{A}$ $I_{OL} = 100 \mu\text{A}$ $I_{OL} = 12 \text{ mA}$ $I_{OL} = 12 \text{ mA}$ $I_{OL} = 24 \text{ mA}$
			3.6	5.5	0.1		
			2.7	4.5	0.4		
			3.0	4.5	0.3		
			3.0	4.5	0.4		
V_{OLB}			2.7	4.5	0.1	V	$I_{OL} = 100 \mu\text{A}$ $I_{OL} = 100 \mu\text{A}$ $I_{OL} = 24 \text{ mA}$
			3.6	5.5	0.1		
			3.0	4.5	0.4		

DC Electrical Characteristics (Continued)

Symbol	Parameter	V _{CCA} (V)	V _{CCB} (V)	T _A = -55°C to +125°C	Units	Conditions	
				Guaranteed Limits			
I _{IN}	Maximum Input Leakage Current @ \overline{OE} , T/ \overline{R}	3.6	5.5	±1.0	μA	V _I = V _{CCB} , GND	
I _{OZA}	Maximum TRI-STATE Output Leakage @ A(n)	3.6	5.5	±5.0	μA	T/ \overline{R} = 0.0V, \overline{OE} = V _{IH} V _O = V _{CCA} , GND	
I _{OZB}	Maximum TRI-STATE Output Leakage @ B(n)	3.6	5.5	±5.0	μA	T/ \overline{R} = 3.6V, \overline{OE} = V _{IH} V _O = V _{CCB} , GND	
ΔI _{CC}	Maximum	B(n)	3.6	5.5	1.5	mA	V _I = V _{CCB} - 2.1V, T/ \overline{R} = 0.0V
	I _{CCT} /Input @	A(n), T/ \overline{R} , \overline{OE}	3.6	5.5	500	μA	V _I = V _{CCA} - 0.6V T/ \overline{R} = 3.6V
I _{CCA}	Quiescent V _{CCA} Supply Current	3.6	5.5	10	μA	B(n) = V _{CCB} or GND \overline{OE} = GND, T/ \overline{R} = GND	
I _{CCB}	Quiescent V _{CCB} Supply Current	3.6	5.5	40	μA	A(n) = V _{CCA} or GND \overline{OE} = GND, T/ \overline{R} = V _{CCA}	
V _{OLPA}	Quiet Output Maximum	3.3	5.0	1.1	V	(Note 4) (Note 5)	
V _{OLPB}	Dynamic V _{OL}	3.3	5.0	1.6	V	(Note 4) (Note 5)	
V _{OLVA}	Quiet Output Minimum	3.3	5.0	-0.8	V	(Note 4) (Note 5)	
V _{OLVB}	Dynamic V _{OL}	3.3	5.0	-1.1	V	(Note 4) (Note 5)	

Note 3: Maximum test duration 2.0 ms, one output loaded at a time.

Note 4: Worst case package.

Note 5: Max number of outputs defined as (n). Data inputs are driven 0V to V_{CC} level; one output at GND.

AC Electrical Characteristics

Symbol	Parameters	$T_A = -55^\circ\text{C to } +125^\circ\text{C}$ $C_L = 50\text{ pF}$ $V_{CCA} = 3.3\text{V}$ (Note 7) $V_{CCB} = 5.0\text{V}$ (Note 6)		$T_A = -55^\circ\text{C to } +125^\circ\text{C}$ $C_L = 50\text{ pF}$ $V_{CCA} = 2.7\text{V}$ $V_{CCB} = 5.0\text{V}$ (Note 6)		Units
		Min	Max	Min	Max	
t_{PHL}	Propagation Delay A to B	1.0	8.5	1.0	9.0	ns
t_{PLH}	Propagation Delay B to A	1.0	8.0	1.0	8.5	ns
t_{PZL}	Output Enable Time \overline{OE} to B	1.0	8.5	1.0	9.0	ns
t_{PZH}	Output Enable Time \overline{OE} to A	1.0	8.5	1.0	9.0	ns
t_{PZL}	Output Enable Time \overline{OE} to A	1.0	9.5	1.0	10.5	ns
t_{PZH}	Output Enable Time \overline{OE} to B	1.0	9.5	1.0	10.5	ns
t_{PHZ}	Output Disable Time \overline{OE} to B	1.0	7.5	1.0	7.5	ns
t_{PLZ}	Output Disable Time \overline{OE} to A	1.0	7.5	1.0	7.5	ns
t_{PHZ}	Output Disable Time \overline{OE} to A	1.0	7.0	1.0	7.0	ns
t_{PLZ}	Output Disable Time \overline{OE} to B	1.0	7.0	1.0	7.0	ns
t_{OSHL} t_{OSLH}	Output to Output Skew (Note 8) Data to Output		1.5		1.5	ns

Note 6: Voltage Range 5.0V is 5.0V $\pm 0.5\text{V}$.

Note 7: Voltage Range 3.3V is 3.3V $\pm 0.3\text{V}$.

Note 8: Skew is defined as the absolute value of the difference between the actual propagation delay for any two separate outputs of the same device. The specification applies to any outputs switching in the same direction, either HIGH to LOW (t_{OSHL}) or LOW to HIGH (t_{OSLH}). Parameter guaranteed by design.

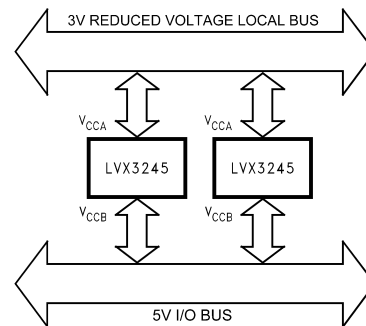
Capacitance

Symbol	Parameter	Max	Units	Conditions
C_{IN}	Input Capacitance	10	pF	$V_{CC} = \text{Open}$
$C_{I/O}$	Input/Output Capacitance	12	pF	$V_{CCA} = 3.3\text{V}$ $V_{CCB} = 5.0\text{V}$
C_{PD}	Power Dissipation Capacitance	50	pF	$V_{CCB} = 5.0\text{V}$ $V_{CCA} = 3.3\text{V}$

Note 9: C_{PD} is measured at 10 MHz

8-Bit Dual Supply Translating Transceiver

The LVX3245 is a dual supply device capable of bidirectional signal translation. This level shifting ability provides an efficient interface between low voltage CPU local bus with memory and a standard bus defined by 5V I/O levels. The device control inputs can be controlled by either the low voltage CPU and core logic or a bus arbitrator with 5V I/O levels. Manufactured on a sub-micron CMOS process, the LVX3245 is suitable for mixed voltage applications such as systems using 3.3V memories which must interface with existing buses or other components operating at 5.0V.



DS101018-3

Applications: Mixed Mode Dual Supply Interface Solution

LVX3245 is designed to solve 3V/5V interfacing issues when CMOS devices cannot tolerate I/O levels above their applied V_{CC} . If an I/O pin of 3V ICs is driven by 5V ICs, the P-Channel transistor in 3V ICs will conduct causing current flow from I/O bus to the 3V power supply. The resulting high current flow can cause destruction of 3V ICs through latchup effects. To prevent this problem, a current limiting resistor is used typically under direct connection of 3V ICs and 5V ICs, but it causes speed degradation.

In a better solution, the LVX3245 configures two different output levels to handle the dual supply interface issues. The "A" port is a dedicated 3V port to interface 3V ICs. The "B" port is a dedicated port to interface 5V ICs. *Figure 1* shows how LVX3245 fits into a system with 3V subsystem and 5V subsystem.

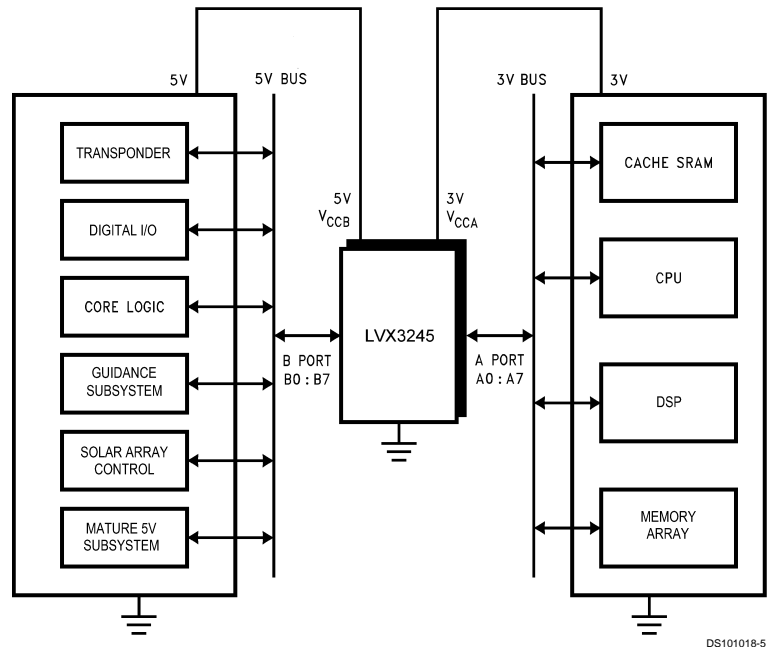
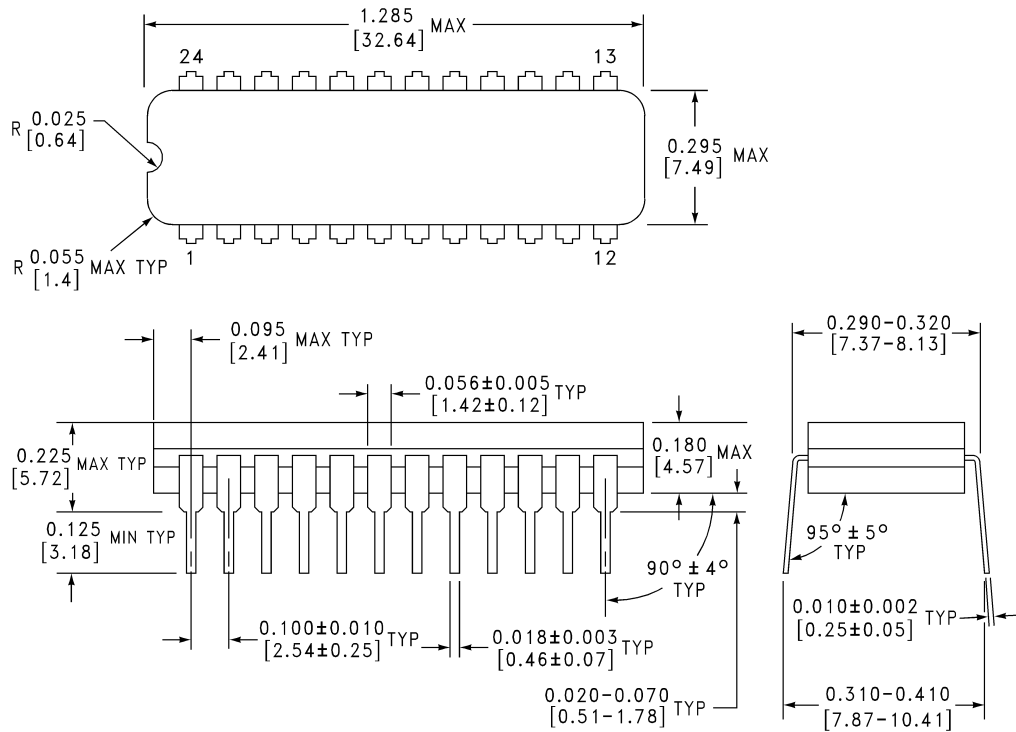


FIGURE 1. LVX3245 Fits into a System with 3V Subsystem and 5V Subsystem

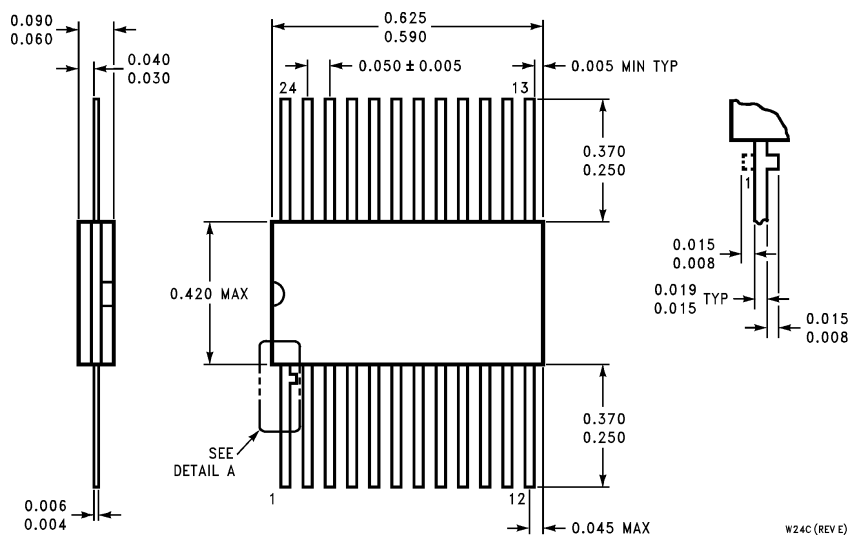
DS101018-5

Physical Dimensions inches (millimeters) unless otherwise noted



J24F (REV. H)

**24-Lead Ceramic DIP
Package Number J24F**



W24C (REV E)

**24-Lead Cerpack
Package Number W24C**

Notes

LIFE SUPPORT POLICY

NATIONAL'S PRODUCTS ARE NOT AUTHORIZED FOR USE AS CRITICAL COMPONENTS IN LIFE SUPPORT DEVICES OR SYSTEMS WITHOUT THE EXPRESS WRITTEN APPROVAL OF THE PRESIDENT OF NATIONAL SEMICONDUCTOR CORPORATION. As used herein:

1. Life support devices or systems are devices or systems which, (a) are intended for surgical implant into the body, or (b) support or sustain life, and whose failure to perform when properly used in accordance with instructions for use provided in the labeling, can be reasonably expected to result in a significant injury to the user.
2. A critical component is any component of a life support device or system whose failure to perform can be reasonably expected to cause the failure of the life support device or system, or to affect its safety or effectiveness.



National Semiconductor Corporation
Americas
Tel: 1-800-272-9959
Fax: 1-800-737-7018
Email: support@nsc.com

www.national.com

National Semiconductor Europe
Fax: +49 (0) 1 80-530 85 86
Email: europe.support@nsc.com
Deutsch Tel: +49 (0) 1 80-530 85 85
English Tel: +49 (0) 1 80-532 78 32
Français Tel: +49 (0) 1 80-532 93 58
Italiano Tel: +49 (0) 1 80-534 16 80

National Semiconductor Asia Pacific Customer Response Group
Tel: 65-2544466
Fax: 65-2504466
Email: sea.support@nsc.com

National Semiconductor Japan Ltd.
Tel: 81-3-5639-7560
Fax: 81-3-5639-7507

IMPORTANT NOTICE

Texas Instruments Incorporated and its subsidiaries (TI) reserve the right to make corrections, modifications, enhancements, improvements, and other changes to its products and services at any time and to discontinue any product or service without notice. Customers should obtain the latest relevant information before placing orders and should verify that such information is current and complete. All products are sold subject to TI's terms and conditions of sale supplied at the time of order acknowledgment.

TI warrants performance of its hardware products to the specifications applicable at the time of sale in accordance with TI's standard warranty. Testing and other quality control techniques are used to the extent TI deems necessary to support this warranty. Except where mandated by government requirements, testing of all parameters of each product is not necessarily performed.

TI assumes no liability for applications assistance or customer product design. Customers are responsible for their products and applications using TI components. To minimize the risks associated with customer products and applications, customers should provide adequate design and operating safeguards.

TI does not warrant or represent that any license, either express or implied, is granted under any TI patent right, copyright, mask work right, or other TI intellectual property right relating to any combination, machine, or process in which TI products or services are used. Information published by TI regarding third-party products or services does not constitute a license from TI to use such products or services or a warranty or endorsement thereof. Use of such information may require a license from a third party under the patents or other intellectual property of the third party, or a license from TI under the patents or other intellectual property of TI.

Reproduction of TI information in TI data books or data sheets is permissible only if reproduction is without alteration and is accompanied by all associated warranties, conditions, limitations, and notices. Reproduction of this information with alteration is an unfair and deceptive business practice. TI is not responsible or liable for such altered documentation. Information of third parties may be subject to additional restrictions.

Resale of TI products or services with statements different from or beyond the parameters stated by TI for that product or service voids all express and any implied warranties for the associated TI product or service and is an unfair and deceptive business practice. TI is not responsible or liable for any such statements.

TI products are not authorized for use in safety-critical applications (such as life support) where a failure of the TI product would reasonably be expected to cause severe personal injury or death, unless officers of the parties have executed an agreement specifically governing such use. Buyers represent that they have all necessary expertise in the safety and regulatory ramifications of their applications, and acknowledge and agree that they are solely responsible for all legal, regulatory and safety-related requirements concerning their products and any use of TI products in such safety-critical applications, notwithstanding any applications-related information or support that may be provided by TI. Further, Buyers must fully indemnify TI and its representatives against any damages arising out of the use of TI products in such safety-critical applications.

TI products are neither designed nor intended for use in military/aerospace applications or environments unless the TI products are specifically designated by TI as military-grade or "enhanced plastic." Only products designated by TI as military-grade meet military specifications. Buyers acknowledge and agree that any such use of TI products which TI has not designated as military-grade is solely at the Buyer's risk, and that they are solely responsible for compliance with all legal and regulatory requirements in connection with such use.

TI products are neither designed nor intended for use in automotive applications or environments unless the specific TI products are designated by TI as compliant with ISO/TS 16949 requirements. Buyers acknowledge and agree that, if they use any non-designated products in automotive applications, TI will not be responsible for any failure to meet such requirements.

Following are URLs where you can obtain information on other Texas Instruments products and application solutions:

Products

Audio	www.ti.com/audio
Amplifiers	amplifier.ti.com
Data Converters	dataconverter.ti.com
DLP® Products	www.dlp.com
DSP	dsp.ti.com
Clocks and Timers	www.ti.com/clocks
Interface	interface.ti.com
Logic	logic.ti.com
Power Mgmt	power.ti.com
Microcontrollers	microcontroller.ti.com
RFID	www.ti-rfid.com
OMAP Mobile Processors	www.ti.com/omap
Wireless Connectivity	www.ti.com/wirelessconnectivity

Applications

Communications and Telecom	www.ti.com/communications
Computers and Peripherals	www.ti.com/computers
Consumer Electronics	www.ti.com/consumer-apps
Energy and Lighting	www.ti.com/energy
Industrial	www.ti.com/industrial
Medical	www.ti.com/medical
Security	www.ti.com/security
Space, Avionics and Defense	www.ti.com/space-avionics-defense
Transportation and Automotive	www.ti.com/automotive
Video and Imaging	www.ti.com/video

TI E2E Community Home Page

e2e.ti.com

Mailing Address: Texas Instruments, Post Office Box 655303, Dallas, Texas 75265
Copyright © 2011, Texas Instruments Incorporated